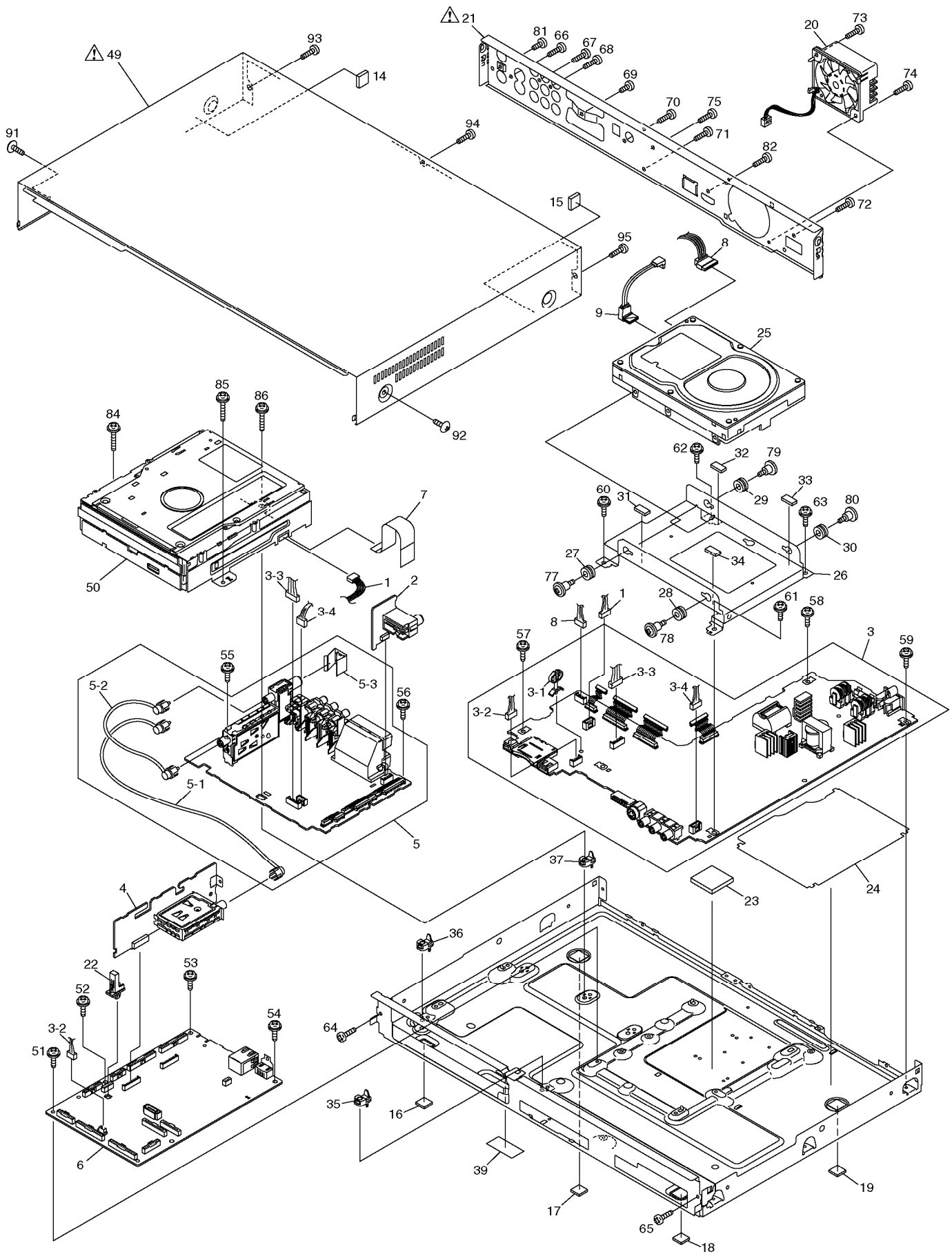
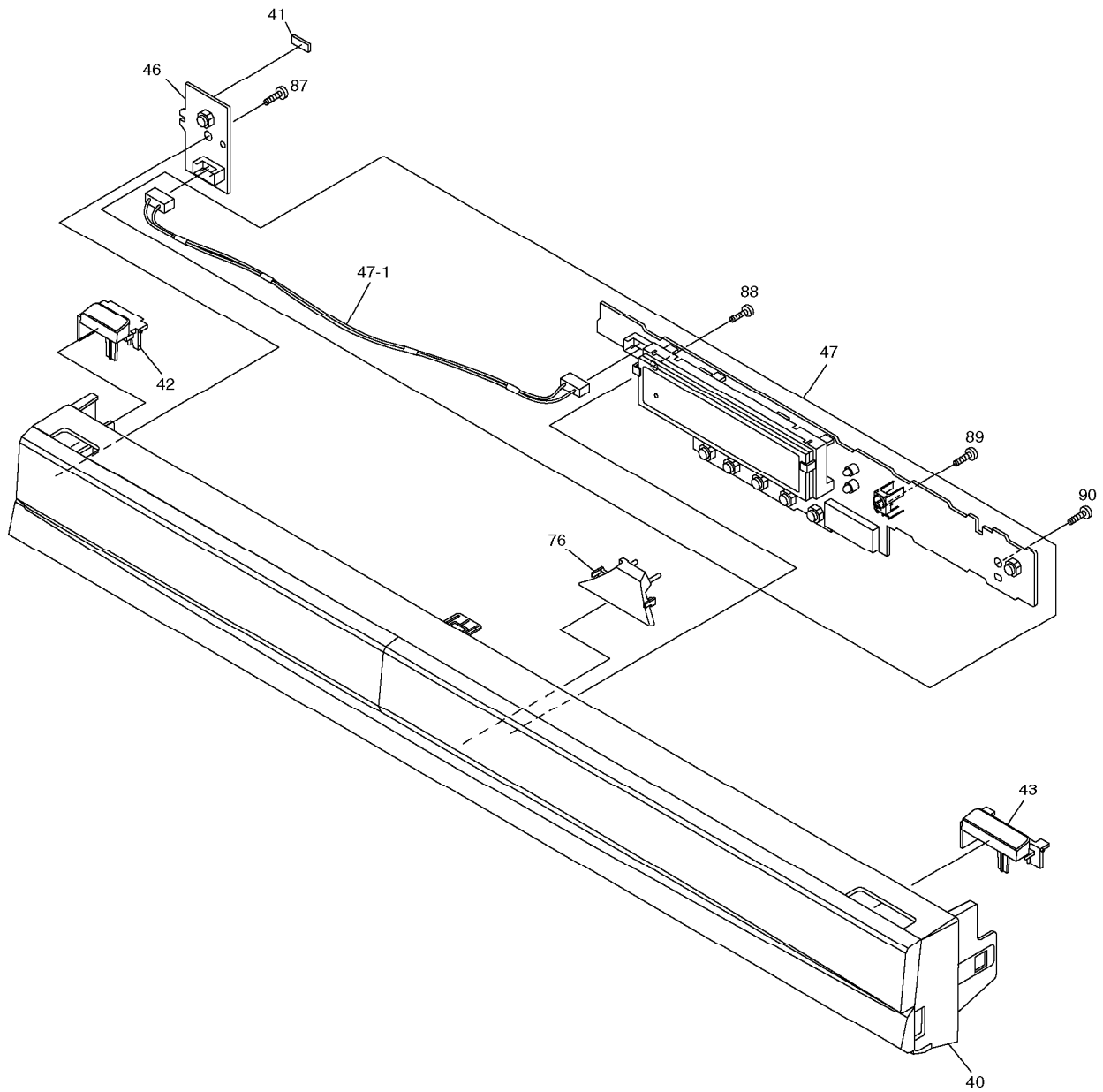


S8. Exploded View

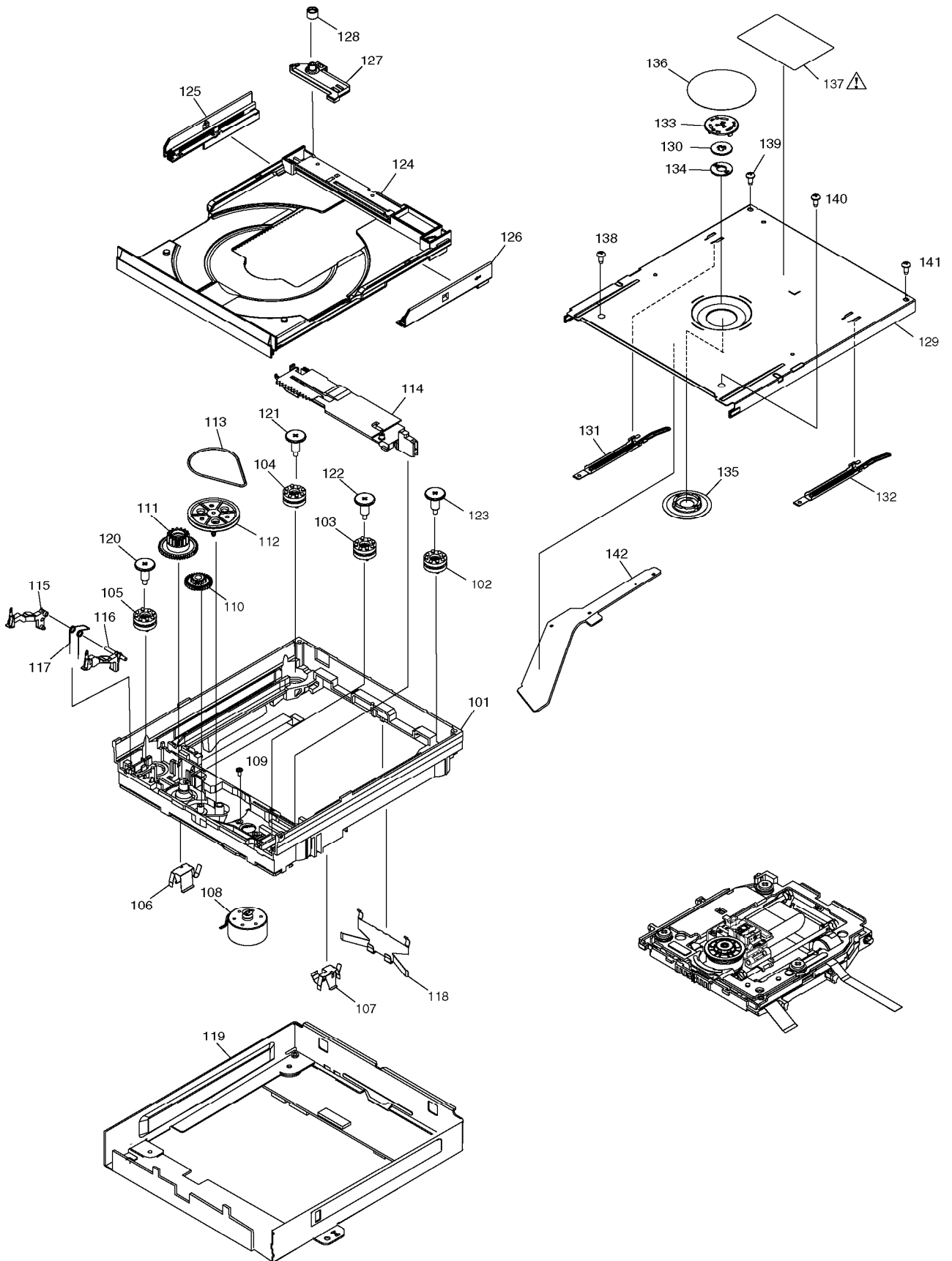
S8.1. Frame and Casing Section (1)



S8.2. Frame and Casing Section (2)



S8.3. Frame and Casing Section (3)



S8.4. Packing Parts and Accessories Section

