

S7. Replacement Parts List

Note: 1.* Be sure to make your orders of replacement parts according to this list.

2. IMPORTANT SAFETY NOTICE

- Components identified with the mark \triangle have the special characteristics for safety.
- When replacing any of these components, use only the same type.

3. Unless otherwise specified,

- All resistors are in OHMS, K=1,000 OHMS. All capacitors are in MICRO-FARADS (uf), P=uuF.

4. The marking (RTL) indicates the retention time is limited for this item. After the discontinuation of this assembly in production, it will no longer be available.

E.S.D. standards for Electrostatically Sensitive Devices, refer to “PREVENTION OF ELECTROSTATIC DISCHARGE (ESD) TO ELECTROSTATICALLY SENSITIVE (ES) DEVICES” section.

DMR-EX79EC-K

Ref.No.	Part No.	Part Name & Description	Pcs	Remarks
##	RFKB79209JT	MAIN P.C.B.	1	(RTL)79EC 79EF 79EP
##	RFKB79209G	MAIN P.C.B.	1	(RTL)79EB
##	RFKB79209HT	MAIN P.C.B.	1	(RTL)79EG
##	RFKB79209K	MAIN P.C.B.	1	(RTL)769EB
##	RFKB79209LT	MAIN P.C.B.	1	(RTL)769EC 769EF 769EP
C1506	F1H1A105A028	10V 1U	1	
C1516	F2A0J1010084	6.3V 100U	1	
C1523	F2A1A4700041	10V 47U	1	
C1524	F2A0J1010084	6.3V 100U	1	
C1525	ECJ1VB1C104K	16V 0.1U	1	
C1526	F1H1A105A028	10V 1U	1	
C1527	F1H1A105A028	10V 1U	1	
C1528	F1K1C105A026	16V 1U	1	
C1529	F2A1A4700041	10V 47U	1	
C1541	F2A1C3300040	16V 33P	1	
C1601	F1K1C106A062	16V 10U	1	
C1602	F1K1C106A062	16V 10U	1	
C1603	ECJ1VB1C104K	16V 0.1U	1	
C1604	ECJ1VB1C104K	16V 0.1U	1	
C1605	ECJ1VC1H181J	50V 180P	1	
C1606	ECJGV1H103K	50V 0.01U	1	
C1607	F2A1A6810022	10V 680U	1	
C1610	F1K1C106A062	16V 10U	1	
C1611	F1K1C106A062	16V 10U	1	
C1731	F1K1C106A062	16V 10U	1	
C1732	F1K1C106A062	16V 10U	1	
C1733	ECJ1VB1C104K	16V 0.1U	1	
C1734	ECJ1VB1C104K	16V 0.1U	1	
C1735	ECJ1VB1H682K	50V 6800P	1	
C1736	ECJ1VB1H103K	50V 0.01U	1	
C1737	F2A1A6810022	10V 680U	1	
C1740	F2A1A4700041	10V 47U	1	
C3001	ECJ1VB1C104K	16V 0.1U	1	
C3002	ECJ1VB1H103K	50V 0.01U	1	
C3003	ECJ1VB1C104K	16V 0.1U	1	
C3004	ECJ1VB1C104K	16V 0.1U	1	
C3005	F2A0J471A832	6.3V 470U	1	
C3006	ECJ1VC1H330J	50V 33P	1	
C3007	F2A0J471A832	6.3V 470U	1	
C3008	F2A1A471A869	10V 470U	1	
C3009	F2A1A101A868	10V 100U	1	
C3010	F1H1A105A028	10V 1U	1	
C3011	F2A1A471A869	10V 470U	1	
C3012	F2A1A101A868	10V 100U	1	
C3013	ECJ1VB1C104K	16V 0.1U	1	
C3014	F2A1A471A869	10V 470U	1	
C3015	F2A1A101A868	10V 100U	1	
C3016	ECJ1VB1C104K	16V 0.1U	1	EXCEPT EB
C3017	ECJ1VB1C104K	16V 0.1U	1	
C3018	ECJ1VB1C104K	16V 0.1U	1	
C3019	ECJ1VB1C104K	16V 0.1U	1	
C3020	ECJ1VB1C104K	16V 0.1U	1	
C3021	ECJ1VB1C104K	16V 0.1U	1	
C3022	ECJ1VB1C104K	16V 0.1U	1	
C3023	ECJ1VB1C104K	16V 0.1U	1	
C3024	ECJ1VB1C104K	16V 0.1U	1	
C3025	ECJ1VB1C104K	16V 0.1U	1	
C3027	ECJ1VB1C104K	16V 0.1U	1	
C3029	ECJ1VB1H472K	50V 4700P	1	79EB 769EB
C3030	ECJ1VB1C104K	16V 0.1U	1	
C3031	F1H1A105A028	10V 1U	1	
C3032	ECJ1VB1C104K	16V 0.1U	1	
C3033	F1H1A105A028	10V 1U	1	
C3034	ECJ1VB1C104K	16V 0.1U	1	
C3035	F1H1A105A028	10V 1U	1	
C3036	ECJ1VB1H103K	50V 0.01U	1	
C3037	F1H1A105A028	10V 1U	1	
C3038	F1H1A105A028	10V 1U	1	
C3039	F1H1A105A028	10V 1U	1	
C3040	F1H1A105A028	10V 1U	1	
C3043	ECJ1VB1H103K	50V 0.01U	1	
C3044	F2A0J101A167	6.3V 100U	1	
C3045	ECJ1VB1H103K	50V 0.01U	1	
C3046	F2A0J101A167	6.3V 100U	1	
C3047	ECJ1VB1C104K	16V 0.1U	1	79EB 769EB

Ref.No.	Part No.	Part Name & Description	Pcs	Remarks
C3901	ECJ1VC1H101J	50V 100P	1	
C3902	ECJ1VC1H101J	50V 100P	1	
C3903	ECJ1VC1H101J	50V 100P	1	
C3904	ECJ1VC1H101J	50V 100P	1	
C3905	ECJ1VC1H471J	50V 470P	1	
C3906	ECJ1VC1H470J	50V 47P	1	
C3907	ECJ1VC1H471J	50V 470P	1	
C3908	ECJ1VC1H470J	50V 47P	1	
C3909	ECJ1VC1H471J	50V 470P	1	
C3910	ECJ1VC1H470J	50V 47P	1	
C3911	ECJ1VC1H471J	50V 470P	1	
C3912	ECJ1VC1H470J	50V 47P	1	
C3913	F2A1H100A236	50V 10U	1	
C3914	F2A1H100A236	50V 10U	1	
C3915	F2A1H1R0A236	50V 1U	1	
C3916	F2A1H1R0A236	50V 1U	1	
C3917	F2A1V100A534	35V 10U	1	
C3918	F2A1V100A534	35V 10U	1	
C3919	F2A1H100A236	50V 10U	1	
C3920	F2A1H100A236	50V 10U	1	
C4001	F2A1V100A534	35V 10U	1	
C4002	F2A1V100A534	35V 10U	1	
C4003	F2A1V100A534	35V 10U	1	EXCEPT 79EB
C4004	F2A1V100A534	35V 10U	1	EXCEPT 79EB
C4005	F2A1V100A534	35V 10U	1	
C4006	F2A1V100A534	35V 10U	1	
C4007	F2A1V100A534	35V 10U	1	
C4008	F2A1V100A534	35V 10U	1	
C4009	F2A1E2210050	25V 220U	1	
C4010	F2A1E1010067	25V 100U	1	
C4011	F2A1E1010067	25V 100U	1	
C4012	F2A1C220B173	16V 22U	1	(EX79)
C4013	F2A1C220B173	16V 22U	1	(EX79)
C4014	F2A1C220B173	16V 22U	1	
C4015	F2A1C220B173	16V 22U	1	
C4016	ECJ2VC1H330J	50V 33P	1	(EX79)
C4017	ECJ2VC1H330J	50V 33P	1	(EX79)
C4018	F2A1A471A550	10V 470U	1	(EX79)
C4019	F2A1A471A550	10V 470U	1	(EX79)
C4020	F2A1C471A637	16V 470U	1	(EX79)
C4021	ECJ1VF1C104Z	16V 0.1U	1	(EX79)
C4022	F2A1C221A637	16V 220U	1	(EX79)
C4023	ECJ2VC1H102J	50V 1000P	1	
C4024	ECJ2VC1H102J	50V 1000P	1	
C4025	F2A0J221A593	6.3V 220U	1	
C4026	ECJ1VF1C104Z	16V 0.1U	1	
C4027	ECQV1H104JL3	50V 0.1U	1	
C4028	F2A1C221A637	16V 220U	1	
C4029	ECJ1VB1C104K	16V 0.1U	1	
C4030	F2A1E2210050	25V 220U	1	
C4033	F2A0J221A593	6.3V 220U	1	
C4034	F2A0J101A592	6.3V 100U	1	
C4037	F2A1V220A534	16V 22U	1	
C4038	F2A1V220A534	16V 22U	1	
C4039	ECJ1VB1C104K	16V 0.1U	1	
C4040	ECJ1VF1C104Z	16V 0.1U	1	
C4802	ECJ1VB1H102K	50V 1000P	1	
C4804	ECJ1VB1H102K	50V 1000P	1	
C4805	ECJ1VC1H471J	50V 470P	1	
C4806	ECJ1VC1H471J	50V 470P	1	
C4901	F2A0J470A599	6.3V 47U	1	
C4903	ECJ1VB1C104K	16V 0.1U	1	
C7304	F1H1H472A219	50V 4700P	1	EXCEPT EB
C7305	ECJ1VB1C104K	16V 0.1U	1	EXCEPT EB
C7306	ECJ1VB1C104K	16V 0.1U	1	EXCEPT EB
C7307	ECJ1VB1C104K	16V 0.1U	1	EXCEPT EB
C7308	ECJ1VB1C104K	16V 0.1U	1	EXCEPT EB
C7309	ECJ1VB1C104K	16V 0.1U	1	EXCEPT EB
C7310	ECJ1VB1C104K	16V 0.1U	1	EXCEPT EB
C7313	F2A1A4700041	10V 47U	1	EXCEPT EB
C7314	F2A1A4700041	10V 47U	1	EXCEPT EB
C7315	F2A1A4700041	10V 47U	1	EXCEPT EB
C7316	F1H1H472A219	50V 4700P	1	EXCEPT EB
C7317	ECJ1VB1C104K	16V 0.1U	1	EXCEPT EB
C7318	ECJ1VB1C104K	16V 0.1U	1	EXCEPT EB
C7319	ECJ1VB1C104K	16V 0.1U	1	EXCEPT EB
C7320	ECJ1VB1C104K	16V 0.1U	1	EXCEPT EB

DMR-EX79EC-K

Ref.No.	Part No.	Part Name & Description	Pcs	Remarks	Ref.No.	Part No.	Part Name & Description	Pcs	Remarks
C7321	ECJ1VB1C104K	16V 0.1U	1	EXCEPT EB	D7506	B0AADM000003	DIODE	1	
C7322	ECJ1VB1C104K	16V 0.1U	1	EXCEPT EB	D7507	B0HAMP000067	DIODE	1	
C7323	ECJ1VB1C104K	16V 0.1U	1	EXCEPT EB	D7508	MAZ4180NHF	DIODE	1	
C7324	ECJ1VB1C104K	16V 0.1U	1	EXCEPT EB	D7510	MA2C165001VT	DIODE	1	
C7325	ECJ1VC1H331J	50V 330P	1	EXCEPT EB	D7801	B0BA03000015	DIODE	1	
C7326	F2A1A4700041	10V 47U	1	EXCEPT EB	D7802	MA2C72300F	DIODE	1	79EG
C7327	ECJ1VC1H100D	50V 10P	1		D7803	MAZ4051NMF	DIODE	1	79EG
C7328	ECJ1VC1H100D	50V 10P	1						
C7329	ECJ1VB1C104K	16V 0.1U	1	EXCEPT EB	DP7501	A2BD00000192	FL DISPLAY	1	
C7330	ECJ1VB1C104K	16V 0.1U	1	EXCEPT EB					
C7331	ECJ1VC1H270J	50V 27P	1	EXCEPT EB	IC1501	C0EBK0000206	IC	1	
C7332	ECJ1VC1H270J	50V 27P	1	EXCEPT EB	IC1506	C0DAEYH00002	IC	1	
C7333	ECJ1VB1C104K	16V 0.1U	1	EXCEPT EB	IC1601	C0DBAZZ00132	IC	1	
C7336	F1H1A105A028	10V 1U	1	EXCEPT EB	IC1730	C0DBAZZ00132	IC	1	
C7337	F1J0J106A014	6.3V 10U	1	EXCEPT EB	IC3001	C1AB00002379	IC	1	
C7338	F1H1A105A028	10V 1U	1	EXCEPT EB	IC3002	C0CBCDC00052	IC	1	
C7339	F1H1A105A028	10V 1U	1	EXCEPT EB	IC3003	C0CBCDC00052	IC	1	
C7341	ECJ1VB1H103K	50V 0.01U	1	EXCEPT EB	IC4001	C0DBAHD00013	IC	1	
C7342	ECJ1VB1C104K	16V 0.1U	1	EXCEPT EB	IC4002	C0CBCY000004	IC	1	
C7405	F2A1A181A397	10V 180U	1	(EX79)	IC4003	C0ABBB000216	IC	1	(EX79)
C7415	F1K1C105A026	16V 1U	1		IC4004	C0ABBB000230	IC	1	(EX79)
C7417	ECJ1VB1C104K	16V 0.1U	1		IC7301	C1AB00002844	IC	1	EXCEPT EB/EG
C7501	F4D55473A013	5.5V 0.047	1		IC7301	C1AB00002845	IC	1	79EG
C7509	ECJ1VF1H104Z	50V 0.1U	1		IC7302	C0EBE0000366	IC	1	EXCEPT EB
C7512	ECJ1VB1C104K	16V 0.1U	1		IC7303	C0CBCBC00174	IC	1	EXCEPT EB
C7565	F2A1C2210095	16V 220U	1		IC7304	C0DBEHE00005	IC	1	EXCEPT EB
C7569	ECJ1VB1H392K	50V 3900P	1		IC7404	RFKFM4016K	IC	1	79EB 769EB
C7570	F2A1V560A387	35V 56U	1		IC7404	RFKFM4016KT	IC	1	EXCEPT EB
C7571	F2A1H100A454	50V 10U	1		IC7501	C0HBB0000057	IC	1	
C7572	F2A1C121A453	16V 120U	1		IC7801	C0DBGY000033	IC	1	79EG
C7573	F2A1H100B034	50V 10U	1		IC7802	C0DBEHE00005	IC	1	
C7801	F2A0J470A824	6.3V 47U	1		IC7803	C0CBCYH00003	IC	1	
C7802	ECJ1VB1H103K	50V 0.01U	1						
C7803	F2A1H1R0B032	50V 1U	1		△ IP7501	K5H751Z00003	IC PROTECTOR	1	
C7804	ECJ1VB1H103K	50V 0.01U	1						
C7806	F2A1C100A234	16V 10U	1	EXCEPT EB/EG	JK3001	K2HZ106B0008	JACK,S VIDEO	1	
C7809	F2A0J470A824	6.3V 47U	1	EXCEPT EB	JK3002	K2HA107B0001	JACK,IN2	1	
C7810	ECJ1VB1H103K	50V 0.01U	1		JK3003	K2HA306B0008	JACK	1	
C7811	F2A0J470A824	6.3V 47U	1		JK3004	K1CB105B0041	JACK,S VIDEO	1	
C7812	ECJ1VB1H103K	50V 0.01U	1		JK3006	K2HA304B0007	JACK,COMPONENT VIDEO OUT	1	
C7813	ECJ1VB1H222K	50V 2200P	1		JK3901	K1FB242B0007	JACK,	1	
C7814	ECJ1VC1H390J	50V 39P	1	79EB 769EB	JK4901	B3ZAZ0000017	IC	1	
C7814	ECJ1VC1H680J	50V 68P	1	EXCEPT EB					
C7815	ECJ1VC1H390J	50V 39P	1	79EB 769EB	K7305	ERJ3GEY0R00V	1/10W 0	1	EXCEPT EB
C7815	ECJ1VC1H680J	50V 68P	1	EXCEPT EB	K7802	ERJ3GEY0R00V	1/10W 0	1	
C7816	ECJ1VB1C104K	16V 0.1U	1		K7804	ECJ2VC1H330J	50V 33P	1	
C7817	ECJ1VB1C104K	16V 0.1U	1	79EG	K7805	ERJ3GEY0R00V	1/10W 0	1	
C7818	ECJ1VB1C104K	16V 0.1U	1	79EG	K7807	ERJ3GEY0R00V	1/10W 0	1	
C7819	F2A1A4700041	10V 47U	1	79EG	K7808	ERJ3GEY0R00V	1/10W 0	1	
C7820	ECJ1VC1H271J	50V 270P	1		K7809	J0JYC0000070	COIL	1	79EG
C7821	ECJ1VC1H271J	50V 270P	1		K7812	ERJ3GEY0R00V	1/10W 0	1	
C7822	ECJ2VC1H681J	50V 680P	1	EXCEPT EB					
C7823	ECJ1VC1H220J	50V 22P	1		L1504	G0C220K00039	COIL 22UH	1	
C7824	ECJ1VC1H220J	50V 22P	1		L1505	G0C100K00043	COIL 10UH	1	
C7826	ECJ1VB1H222K	50V 2200P	1		L1600	G0C100K00043	COIL 10UH	1	
C7827	ECJ1VC1H221J	50V 220P	1		L1601	G0A100K00003	COIL 10UH	1	
C7832	ECJ1VC1H270J	50V 27P	1		L1602	G0C100K00043	COIL 10UH	1	
C7833	F1H1A105A028	10V 1U	1		L1700	G0C100K00043	COIL 10UH	1	
C7834	F1J0J106A014	6.3V 10U	1		L1731	G0A100K00003	COIL 10UH	1	
C7835	F2A1A4700041	10V 47U	1		L1732	G0C100K00043	COIL 10UH	1	
C7836	F1H1A105A028	10V 1U	1		L4901	G0C220JA0019	COIL 22UH	1	
C7837	F2A1A4700041	10V 47U	1		L7301	G0C2R2JA0019	COIL 2.2UH	1	EXCEPT EB
C7838	F1H1A105A028	10V 1U	1		L7403	G0C100K00043	COIL 10UH	1	
C7841	ECJ1VC1H101J	50V 100P	1	EXCEPT EB/EG	L7501	G0C390JA0055	COIL 39UH	1	
C7846	ECJ1VB1C104K	16V 0.1U	1		L7801	G0C100JA0019	COIL 10UH	1	79EG
					L7802	G1CR56JA0020	COIL 56UH	1	
					L7803	G1CR56JA0020	COIL 56UH	1	
D1601	B0JCN0000021	DIODE	1						
D1602	B0JCN0000021	DIODE	1		LB1600	J0JHC0000048	FILTER	1	
D1731	B0JCN0000021	DIODE	1		LB1730	J0JHC0000048	FILTER	1	
D1732	B0JCN0000021	DIODE	1		LB3001	J0JGC0000063	COIL	1	
D3901	MA2C165001VT	DIODE	1		LB3002	J0JGC0000063	COIL	1	
D4001	MA3Z142D0LG	DIODE	1		LB3901	J0JBC0000134	COIL	1	
D4002	MA3Z142D0LG	DIODE	1		LB3902	J0JBC0000134	COIL	1	
D7501	B0BA03600021	DIODE	1		LB3903	J0JBC0000134	COIL	1	
D7502	B0AACK000004	DIODE	1		LB3904	J0JBC0000134	COIL	1	
D7504	MAZ4220NMF	DIODE	1		LB3905	J0JGC0000063	COIL	1	
D7505	B0AADM000003	DIODE	1						

DMR-EX79EC-K

Ref.No.	Part No.	Part Name & Description	Pcs	Remarks
LB4001	J0JGC0000063	COIL	1	
LB4801	J0JBC0000134	COIL	1	
LB4802	J0JBC0000134	COIL	1	
LB4803	J0JBC0000134	COIL	1	
LB4804	J0JBC0000134	COIL	1	
LB7301	ERJ3GEY0R00V	1/10W 0	1	EXCEPT EB
LB7302	J0JBC0000134	COIL	1	EXCEPT EB
LB7303	J0JBC0000134	COIL	1	EXCEPT EB
LB7304	J0JBC0000134	COIL	1	EXCEPT EB
LB7305	J0JBC0000134	COIL	1	EXCEPT EB
LB7306	J0JBC0000134	COIL	1	EXCEPT EB
LB7415	J0JBC0000127	COIL	1	
LB7417	J0JBC0000127	COIL	1	
LB7418	J0JBC0000127	COIL	1	
LB7419	J0JBC0000127	COIL	1	
LB7421	J0JBC0000127	COIL	1	
LB7426	J0JBC0000134	COIL	1	79EG
LB7427	J0JBC0000134	COIL	1	EXCEPT EB
LB7801	J0JGC0000063	COIL	1	
LB7802	J0JGC0000063	COIL	1	EXCEPT EB
LB7803	J0JGC0000063	COIL	1	
LB7804	J0JBC0000134	COIL	1	EXCEPT EB
LB7805	J0JBC0000134	COIL	1	
LB7806	ERJ3GEY0R00V	1/10W 0	1	
LB7807	J0JGC0000063	COIL	1	
LB7808	ERJ3GEY0R00V	1/10W 0	1	
P1501	K1KY09AA0606	CONNECTOR(9P)	1	
P1503	K1KA04AA0301	CONNECTOR(4P)	1	
P7402	K1KA88A00003	CONNECTOR(88P)	1	
P7503	K1KB06B00033	CONNECTOR(6P)	1	
P7801	K1KA11AA0031	CONNECTOR(11P)	1	
P7802	K1KA11AA0031	CONNECTOR(11P)	1	
Q1501	B1DHC000027	TRANSISTOR	1	
Q1509	B1DHD000022	TRANSISTOR	1	
Q1600	B1DHE000008	TRANSISTOR	1	
Q1730	B1DHD000022	TRANSISTOR	1	
Q3001	B1ADC000154	TRANSISTOR	1	
Q4001	2SD132800L	TRANSISTOR	1	
Q4002	2SD132800L	TRANSISTOR	1	
Q4003	2SD0601A0L	TRANSISTOR	1	
Q4004	2SD0601A0L	TRANSISTOR	1	
Q7402	2SD0601A0L	TRANSISTOR	1	79EB 769EB
Q7501	B1ABDF000026	TRANSISTOR	1	
Q7502	2SB0710A0L	TRANSISTOR	1	
Q7510	2SC43910R1VT	TRANSISTOR	1	
Q7801	2SD1819A0L	TRANSISTOR	1	
Q7802	2SD1819A0L	TRANSISTOR	1	79EG
Q7803	2SD1819A0L	TRANSISTOR	1	79EG
QR1501	UNR521300L	TRANSISTOR	1	
QR1503	UNR521300L	TRANSISTOR	1	
QR4001	UNR511100L	TRANSISTOR	1	
QR7501	UNR521200L	TRANSISTOR	1	
QR7502	UNR521300L	TRANSISTOR	1	79EG
QR7508	UNR521400L	TRANSISTOR	1	
QR7801	UNR511200L	TRANSISTOR	1	
R1502	ERJ3GEYJ103V	1/10W 10K	1	
R1505	ERJ3GEYJ823V	1/10W 82K	1	
R1506	ERJ3GEYJ222V	1/10W 2.2K	1	
R1507	ERJ3GEYJ822V	1/10W 8.2K	1	
R1509	ERJ3RBD393V	1/16W 39K	1	
R1510	ERJ3RBD113V	1/16W 11K	1	
R1511	ERJ3RBD152V	1/16W 1.5K	1	
R1518	ERJ3GEYJ223V	1/10W 22K	1	
R1519	ERJ3GEYJ223V	1/10W 22K	1	
R1601	D1BFR0240001	1/2W 0.024U	1	
R1602	ERJ3GEYJ513V	1/10W 51K	1	
R1603	ERJ3GEY0R00V	1/10W 0	1	
R1604	ERJ3RBD103V	1/16W 10K	1	
R1605	ERJ3RBD272V	1/16W 2.7K	1	
R1606	ERJ3GEY0R00V	1/10W 0	1	
R1731	D1BFR0240001	1/2W 0.024U	1	
R1732	ERJ3GEYJ333V	1/10W 33K	1	
R1733	ERJ3GEY0R00V	1/10W 0	1	

Ref.No.	Part No.	Part Name & Description	Pcs	Remarks
R1734	ERJ3RBD133V	1/16W 13K	1	
R1735	ERJ3RBD562V	1/16W 5.6K	1	
R1736	ERJ3GEYJ272V	1/10W 2.7K	1	
R3001	ERJ3GEY0R00V	1/10W 0	1	EXCEPT EB
R3001	ERJ3GEYJ562V	1/10W 5.6K	1	79EB 769EB
R3002	ERJ3GEYJ101V	1/10W 100	1	
R3003	ERJ3GEYJ101V	1/10W 100	1	
R3005	ERJ3GEYJ104V	1/10W 100K	1	
R3006	ERJ3GEYJ750V	1/10W 75	1	
R3007	ERJ3GEYJ750V	1/10W 75	1	
R3008	ERJ3GEYJ750V	1/10W 75	1	
R3009	ERJ3GEYJ750V	1/10W 75	1	
R3010	ERJ3GEYJ750V	1/10W 75	1	
R3011	ERJ3GEYF750V	1/10W 75	1	
R3012	ERJ3GEYF750V	1/10W 75	1	
R3013	ERJ3GEYF750V	1/10W 75	1	
R3014	ERJ3GEYJ750V	1/10W 75	1	
R3016	ERJ3GEYJ103V	1/10W 10K	1	
R3017	ERJ3GEYJ103V	1/10W 10K	1	
R3018	ERJ3GEYJ103V	1/10W 10K	1	
R3019	ERJ3GEYJ332V	1/10W 3.3K	1	
R3020	ERJ3GEYJ332V	1/10W 3.3K	1	
R3901	ERJ3GEYF750V	1/10W 75	1	
R3902	ERJ3GEYF750V	1/10W 75	1	
R3903	ERJ3GEYF750V	1/10W 75	1	
R3904	ERJ3GEYJ750V	1/10W 75	1	
R3905	ERJ3GEYF750V	1/10W 75	1	
R3906	ERJ3GEYF750V	1/10W 75	1	
R3907	ERJ3GEYF750V	1/10W 75	1	
R3908	ERJ3GEYJ750V	1/10W 75	1	
R3909	ERJ3GEYJ750V	1/10W 75	1	
R3910	ERJ3GEYJ750V	1/10W 75	1	
R3911	ERJ3GEYJ153V	1/10W 15K	1	
R3912	ERJ3GEYJ223V	1/10W 22K	1	
R3913	ERJ3GEYJ102V	1/10W 1K	1	
R3914	ERJ3GEYJ473V	1/10W 47K	1	
R3915	ERJ3GEYJ102V	1/10W 1K	1	
R3916	ERJ3GEYJ473V	1/10W 47K	1	
R3917	ERJ3GEYJ750V	1/10W 75	1	
R3918	ERJ3GEYJ750V	1/10W 75	1	
R3919	ERDS2TJ471T	1/4W 470	1	
R3920	ERJ3GEYJ102V	1/10W 1K	1	
R3921	ERJ3GEYJ473V	1/10W 47K	1	
R3922	ERJ3GEYJ102V	1/10W 1K	1	
R3923	ERJ3GEYJ473V	1/10W 47K	1	
R3924	ERJ3GEYJ103V	1/10W 10K	1	
R3925	ERJ3GEYJ103V	1/10W 10K	1	
R3926	ERJ3GEYJ471V	1/10W 470	1	
R3927	ERJ3GEYJ471V	1/10W 470	1	
R3928	ERJ3GEYJ103V	1/10W 10K	1	
R3929	ERJ3GEYJ103V	1/10W 10K	1	
R3930	ERJ3GEYJ471V	1/10W 470	1	
R3931	ERJ3GEYJ471V	1/10W 470	1	
R4001	ERJ3GEYJ102V	1/10W 1K	1	
R4002	ERJ3GEYJ102V	1/10W 1K	1	
R4003	ERJ3GEYJ823V	1/10W 82K	1	
R4004	ERJ3GEYJ823V	1/10W 82K	1	
R4005	ERJ3GEYJ473V	1/10W 47K	1	
R4006	ERJ3GEYJ473V	1/10W 47K	1	
R4007	ERJ3GEYJ223V	1/10W 22K	1	
R4008	D0HB912ZA002	1/10W 9.1K	1	(EX79)
R4008	ERJ3GEY0R00V	1/10W 0	1	(EX769)
R4009	D0HB912ZA002	1/10W 9.1K	1	(EX79)
R4009	ERJ3GEY0R00V	1/10W 0	1	(EX769)
R4010	D0HB153ZA002	1/10W 15K	1	(EX79)
R4010	ERJ3GEY0R00V	1/10W 0	1	(EX769)
R4011	D0HB153ZA002	1/10W 15K	1	(EX79)
R4011	ERJ3GEY0R00V	1/10W 0	1	(EX769)
R4012	ERJ3GEYJ473V	1/10W 47K	1	
R4013	ERJ3GEYJ473V	1/10W 47K	1	
R4014	ERJ3GEYJ821V	1/10W 820	1	
R4015	ERJ3GEYJ821V	1/10W 820	1	
R4016	ERJ3GEYJ101V	1/10W 100	1	
R4017	ERJ3GEYJ101V	1/10W 100	1	
R4018	ERJ3GEYJ121V	1/10W 120	1	
R4019	ERJ3GEYJ121V	1/10W 120	1	
R4020	ERJ3GEYJ562V	1/10W 5.6K	1	

DMR-EX79EC-K

Ref.No.	Part No.	Part Name & Description	Pcs	Remarks	Ref.No.	Part No.	Part Name & Description	Pcs	Remarks
R4021	ERJ3GEYJ562V	1/10W 5.6K	1		T7501	G4D1A0000117	TRANSFORMER	1	
R4022	ERJ3GEYJ562V	1/10W 5.6K	1		TU7801	ENGF7714KF	TUNER	1	EXCEPT EB
R4023	ERJ3GEYJ562V	1/10W 5.6K	1		TU7801	ENV77R03D7F	TUNER	1	79EB 769EB
R4024	D0HB103ZA002	1/10W 10K	1	(EX79)	W501	ERJ3GEY0R00V	1/10W 0	1	
R4025	D0HB103ZA002	1/10W 10K	1	(EX79)	W502	ERJ3GEY0R00V	1/10W 0	1	
R4026	ERJ3RBD682V	1/16W 6.8K	1		W503	ERJ3GEY0R00V	1/10W 0	1	
R4027	ERJ3RED300V	1/16W 30	1		W504	ERJ3GEY0R00V	1/10W 0	1	
R4028	ERJ3RBD202V	1/16W 2K	1		W505	ERJ3GEY0R00V	1/10W 0	1	
R7302	ERJ3GEYJ102V	1/10W 1K	1	EXCEPT EB	W506	ERJ3GEY0R00V	1/10W 0	1	
R7303	ERJ3GEYJ102V	1/10W 1K	1	EXCEPT EB	W507	ERJ3GEY0R00V	1/10W 0	1	
R7304	ERJ3GEYJ103V	1/10W 10K	1	EXCEPT EB	W508	ERJ3GEY0R00V	1/10W 0	1	
R7305	ERJ3GEYJ102V	1/10W 1K	1	EXCEPT EB	W509	ERJ3GEY0R00V	1/10W 0	1	
R7306	ERJ3GEYJ103V	1/10W 10K	1	EXCEPT EB	W510	ERJ3GEY0R00V	1/10W 0	1	
R7307	ERJ3GEY0R00V	1/10W 0	1	79EB 769EB	W511	ERJ3GEY0R00V	1/10W 0	1	
R7307	ERJ3GEYJ101V	1/10W 100	1	EXCEPT EB	W512	ERJ3GEY0R00V	1/10W 0	1	
R7308	ERJ3GEY0R00V	1/10W 0	1	79EB 769EB	W513	ERJ3GEY0R00V	1/10W 0	1	
R7308	ERJ3GEYJ101V	1/10W 100	1	EXCEPT EB	W514	ERJ3GEY0R00V	1/10W 0	1	
R7309	ERJ3GEYJ105V	1/10W 1M	1	EXCEPT EB	W515	ERJ3GEY0R00V	1/10W 0	1	
R7310	ERJ3GEYJ222V	1/10W 2.2K	1	EXCEPT EB	W516	ERJ3GEY0R00V	1/10W 0	1	
R7311	ERJ3GEYJ681V	1/10W 680	1	EXCEPT EB	W517	ERJ3GEY0R00V	1/10W 0	1	
R7312	ECJ1VB1H103K	50V 0.01U	1	EXCEPT EB	W518	ERJ3GEY0R00V	1/10W 0	1	
R7313	ERJ3RBD112V	1/16W 1.1K	1	EXCEPT EB	W519	ERJ3GEY0R00V	1/10W 0	1	
R7314	ERJ3RBD102V	1/16W 1K	1	EXCEPT EB	W520	ERJ3GEY0R00V	1/10W 0	1	
R7315	ERJ3RBD103V	1/16W 10K	1	EXCEPT EB	W521	ERJ3GEY0R00V	1/10W 0	1	
R7401	ERJ3GEYJ472V	1/10W 4.7K	1		W522	ERJ3GEY0R00V	1/10W 0	1	
R7403	ERJ3RBD242V	1/16W 2.4K	1		W523	ERJ3GEY0R00V	1/10W 0	1	
R7404	ERJ3RBD222V	1/16W 2.2K	1		W524	ERJ6GEY0R00V	1/8W 0	1	
R7405	ERJ3GEYJ103V	1/10W 10K	1	79EB 769EB	W525	ERJ6GEY0R00V	1/8W 0	1	
R7406	ERJ3GEY0R00V	1/10W 0	1		W526	ERJ6GEY0R00V	1/8W 0	1	
R7407	ERJ3GEY0R00V	1/10W 0	1	EXCEPT EB	W527	ERJ3GEY0R00V	1/10W 0	1	
R7408	ERJ3GEY0R00V	1/10W 0	1		X7301	H0H184500008	CRYSTAL OSCILLATOR	1	EXCEPT EB
R7411	ERJ3GEYJ472V	1/10W 4.7K	1		ZB7501	RMN0915	FL HOLDER	1	
R7412	ERJ3GEYJ472V	1/10W 4.7K	1		ZB7502	RMN0916	FL HOLDER	1	
R7414	ERJ3GEYJ472V	1/10W 4.7K	1		ZB7503	RMN0917	FL HOLDER	1	
R7501	ERJ3GEYJ562V	1/10W 5.6K	1		ZJ3001	K9ZZ00001279	EARTH PLATE	1	
R7502	ERJ3GEYJ470V	1/10W 47	1		ZJ3002	K9ZZ00001279	EARTH PLATE	1	
R7503	ERJ3GEYJ473V	1/10W 47K	1		ZJ7401	K9ZZ00001279	EARTH PLATE	1	
R7504	ERDS2TJ271T	1/4W 270	1		ZJ7402	K9ZZ00001279	EARTH PLATE	1	
R7505	ERJ3GEYJ181V	1/10W 180	1		ZJ7404	K9ZZ00001279	EARTH PLATE	1	
R7506	ERJ3GEY0R00V	1/10W 0	1		ZJ7405	K9ZZ00001279	EARTH PLATE	1	
R7507	ERJ3GEY0R00V	1/10W 0	1		ZJ7406	K9ZZ00001279	EARTH PLATE	1	
R7508	ERJ3GEY0R00V	1/10W 0	1		ZJ7407	K9ZZ00001279	EARTH PLATE	1	
R7509	ERJ3GEY0R00V	1/10W 0	1		#	VEP70254A	FRONT(L)P.C.B.	1	(RTL)
R7510	ERJ3GEYJ332V	1/10W 3.3K	1		P7201	K1KA03BA0055	CONNECTOR(3P)	1	
R7511	ERJ3GEYJ332V	1/10W 3.3K	1		S7201	EVQ11A04M	SWITCH,POWER	1	
R7513	ERJ3GEYJ103V	1/10W 10K	1		#	VEP70255A	FRONT(R)P.C.B.	1	(RTL)
R7514	ERJ3GEYJ223V	1/10W 22K	1	79EG	C7701	ECJ1VF1A105Z	10V 1U	1	
R7530	ERJ3RBD823V	1/16W 82K	1		IC7701	PNA4618M13VT	IC	1	
R7544	ERJ3GEYJ683V	1/10W 68K	1		PP7701	K1KA06B00150	CONNECTOR(6P)	1	
R7561	ERJ3GEYJ473V	1/10W 47K	1		R7701	ERDS2TJ470T	1/4W 47	1	
R7639	ERJ3GEYJ272V	1/10W 2.7K	1		S7701	EVQ11A04M	SWITCH,OPEN/CLOSE	1	
R7640	ERJ3GEYJ272V	1/10W 2.7K	1		#	VEP71141A	POWER P.C.B.	1	(RTL)
R7642	ERJ3GEYJ562V	1/10W 5.6K	1		△ C1120	F0CAF683A021	100V 0.068P	1	
R7644	ERJ3GEYJ562V	1/10W 5.6K	1		△ C1121	F0CAF223A021	100V 0.022P	1	
R7801	ERJ3GEYJ562V	1/10W 5.6K	1	EXCEPT EB/EG	△ C1122	ECKWNA471MBV	250V 470P	1	
R7802	ERDS2TJ102T	1/4W 1K	1		△ C1123	ECKWNA471MBV	250V 470P	1	
R7804	ERJ3GEYJ471V	1/10W 470	1	79EG	△ C1124	ECKWNA102MEV	1000P	1	
R7805	ERJ3GEYJ471V	1/10W 470	1		C1129	F1B3A2220009	1000V 2200U	1	
R7806	ERJ3GEYJ104V	1/10W 100K	1						
R7807	ERJ3RBD103V	1/16W 10K	1						
R7808	ERJ3RBD392V	1/16W 3.9K	1						
R7809	ERJ3RBD273V	1/16W 27K	1						
R7810	ERJ3RBD152V	1/16W 1.5K	1						
R7812	ERJ3GEYJ155V	1/10W 30	1	79EG					
R7813	ERJ3GEYJ473V	1/10W 47K	1	79EG					
R7814	ERJ3GEYJ473V	1/10W 47K	1	79EG					
R7815	ERJ3GEYJ334V	1/10W 330K	1	79EG					
R7816	ERJ3GEYJ563V	1/10W 56K	1	79EG					
R7817	ERJ3RBD102V	1/16W 1K	1						
R7818	ERJ3RBD181V	1/16W 180	1						
S7501	EVQ11A04M	SWITCH,CH DOWN	1						
S7503	EVQ11A04M	SWITCH,CH UP	1						
S7504	EVQ11A04M	SWITCH,REC	1						
S7506	EVQ11A04M	SWITCH,STOP	1						
S7507	EVQ11A04M	SWITCH,PLAY	1						

DMR-EX79EC-K

Ref.No.	Part No.	Part Name & Description	Pcs	Remarks
C1143	F2A2W470A150	450V 47U	1	
C1150	F2A1H1010074	50V 100U	1	
C1151	F1B3D101A011	100U	1	
C1152	ECJ2VC1H680J	50V 68P	1	
C1153	ECJGVB1H222K	50V 2200P	1	
C1154	ECJGVB1H102K	50V 1000P	1	
C1200	ECJ2VB1E104K	25V 0.1U	1	
C1201	ECJ2VB1E473K	25V 0.047U	1	
C1270	F2A1C1520021	16V 1500U	1	
C1271	F2A1C1520021	16V 1500U	1	
C1272	F2A1C5610006	16V 560U	1	
D1140	B0EDKT000009	DIODE	1	
D1141	B0HADV000001	DIODE	1	
D1142	B0HADV000001	DIODE	1	
D1151	B0HAGM000006	DIODE	1	
D1152	MAZ4100NHF	DIODE	1	
D1155	MAZ73000BC	DIODE	1	
D1156	MA2J11100L	DIODE	1	
D1157	B0HADV000001	DIODE	1	
D1158	MAZ4160NMF	DIODE	1	
D1160	MA2J11100L	DIODE	1	
D1161	MA2J11100L	DIODE	1	
D1270	B0JBSG000053	DIODE	1	
△ F1101	K5D202BK0005	FUSE	1	
IC1150	C0DACZ000017	IC	1	
IC1201	C0DBZMC000006	IC	1	
△ L1120	G0B233D00005	COIL	1	
△ L1121	G0B233D00005	COIL	1	
L1270	G0A100H00025	COIL 10UH	1	
LB1124	J0JHC0000048	FILTER	1	
LB1126	J0JHC0000048	FILTER	1	
△ P1101	K2AA2H000007	AC INLET	1	
P1102	K1KB09A00047	CONNECTOR(9P)	1	
Q1160	B1ABDF000033	TRANSISTOR	1	
△ Q1200	B3PBA0000454	TRANSISTOR	1	
△ Q1220	B3PBA0000454	TRANSISTOR	1	
QR1220	B1GBCFN00043	TRANSISTOR	1	
R1122	ERG1SJ222E	1W 2.2K	1	
R1123	ERG2SJ473E	10W 47K	1	
R1125	ERG2SJ473E	10W 47K	1	
R1150	ERJ6GEYJ680V	1/8W 68	1	
R1151	ERJ6GEYJ152V	1/8W 1.5K	1	
R1152	ERJ6GEYJ682V	1/8W 6.8K	1	
R1153	ERJ6GEYJ680V	1/8W 68	1	
R1154	ERJ6RBD103V	1/10W 10K	1	
R1155	ERJ6RBD471V	1/10W 470	1	
R1156	ERJ6RBD223V	1/10W 2.3K	1	
R1157	ERJ6RBD821V	1/10W 820	1	
R1158	ERX2SJR22E	2W 22	1	
R1159	ERDS2TJ471T	1/4W 470	1	
R1160	ERJ6GEYJ104V	1/8W 100K	1	
R1161	ERJ6GEYJ104V	1/8W 100K	1	
R1200	ERJ6RBD122V	1/10W 1.2K	1	
R1201	ERJ6RBD822V	1/10W 8.2K	1	
R1205	ERJ6GEYJ224V	1/8W 220K	1	
R1206	ERJ6RBD242V	1/10W 2.4K	1	
R1207	ERJ6GEYJ103V	1/8W 10K	1	
R1208	ERJ6GEYJ222V	1/8W 2.2K	1	
R1209	ERJ6GEYJ102V	1/8W 1K	1	
R1210	ERJ6GEYJ102V	1/8W 1K	1	
R1221	ERJ6GEYJ562V	1/8W 5.6K	1	
△ T1150	G4D2A0000296	TRANSFORMER	1	
△ VA1110	ERZV10D471C2	VARIATOR	1	
W15	ERJ6GEY0R00V	1/8W 0	1	

Ref.No.	Part No.	Part Name & Description	Pcs	Remarks
ZA1103	EYF52BCY	FUSE HOLDER	1	
ZA1104	EYF52BCY	FUSE HOLDER	1	
ZA1105	K9ZZ00001279	EARTH PLATE	1	
ZA1106	K9ZZ00001279	EARTH PLATE	1	
ZA1107	K9ZZ00001279	EARTH PLATE	1	
ZA1150	VSC5603-A	HEAT SINK	1	
ZA1151	XYN3+J8FJ	SCREW	1	
ZA1270	VSC5614-A	HEAT SINK	1	
ZA1271	XYN3+J8FJ	SCREW	1	
ZB1101	VJF0309	CABLE CLAMPER	1	
##	VEP70262A	SATA P.C.B.	1	(RTL)(EX79)
C51001	ECJ0EB1C103K	16V 0.01U	1	(EX79)
C51002	F1J0J106A014	6.3V 10U	1	(EX79)
C51003	F1H1A105A028	10V 1U	1	(EX79)
C51004	F1G1A1040006	10V 0.1U	1	(EX79)
C51005	F1G1A1040006	10V 0.1U	1	(EX79)
C51006	F1G1A1040006	10V 0.1U	1	(EX79)
C51007	F1G1A1040006	10V 0.1U	1	(EX79)
C51008	F1G1A1040006	10V 0.1U	1	(EX79)
C51011	ECJ0EB1A104K	10V 0.1U	1	(EX79)
C51012	F1G1A1040006	10V 0.1U	1	(EX79)
C51013	F1J0J106A014	6.3V 10U	1	(EX79)
C51014	F1G1A1040006	10V 0.1U	1	(EX79)
C51015	ECJ0EB1C103K	16V 0.01U	1	(EX79)
C51016	F1G1A1040006	10V 0.1U	1	(EX79)
C51017	F1H1A105A028	10V 1U	1	(EX79)
C51018	ECJ0EC1H150J	50V 15P	1	(EX79)
C51019	ECJ0EC1H150J	50V 15P	1	(EX79)
C51020	ECJ0EB1C103K	16V 0.01U	1	(EX79)
C51021	ECJ0EB1C103K	16V 0.01U	1	(EX79)
C51022	ECJ0EB1C103K	16V 0.01U	1	(EX79)
C51023	ECJ0EB1C103K	16V 0.01U	1	(EX79)
C51024	F1J0J106A014	6.3V 10U	1	(EX79)
ET51001	K4CZ01000046	TERMINAL BOARDS	1	(EX79)
IC51001	C1CB00003102	IC	1	(EX79)
IC51002	C0CBCBC00174	IC	1	(EX79)
IC51003	C0CBCAD00082	IC	1	(EX79)
LB51001	J0JHC0000032	COIL	1	(EX79)
LB51002	J0JHC0000032	COIL	1	(EX79)
LB51003	J0JHC0000032	COIL	1	(EX79)
P51001	K1KA04BA0050	CONNECTOR(4P)	1	(EX79)
P51002	K1KY22A00009	CONNECTOR(22P)	1	(EX79)
P51003	K1MN40AA0082	CONNECTOR(40P)	1	(EX79)
R51001	ERJ2GEJ220X	1/16W 22	1	(EX79)
R51002	ERJ2GEJ220X	1/16W 22	1	(EX79)
R51003	ERJ2GEJ220X	1/16W 22	1	(EX79)
R51004	ERJ2GEJ220X	1/16W 22	1	(EX79)
R51005	ERJ2GEJ220X	1/16W 22	1	(EX79)
R51006	ERJ2GEJ220X	1/16W 22	1	(EX79)
R51007	ERJ2GEJ220X	1/16W 22	1	(EX79)
R51008	ERJ2GEJ220X	1/16W 22	1	(EX79)
R51009	ERJ2GEJ220X	1/16W 22	1	(EX79)
R51010	ERJ2GEJ220X	1/16W 22	1	(EX79)
R51017	ERJ2GE0R00X	1/16W 0	1	(EX79)
R51018	ERJ2GE0R00X	1/16W 0	1	(EX79)
R51019	ERJ2GE0R00X	1/16W 0	1	(EX79)
R51020	ERJ2GE0R00X	1/16W 0	1	(EX79)
R51021	ERJ2GE0R00X	1/16W 0	1	(EX79)
R51022	ERJ2GEJ472X	1/16W 4.7K	1	(EX79)
R51023	ERJ2GE0R00X	1/16W 0	1	(EX79)
R51024	ERJ2GE0R00X	1/16W 0	1	(EX79)
R51025	ERJ2GE0R00X	1/16W 0	1	(EX79)
R51026	ERJ2GE0R00X	1/16W 0	1	(EX79)
R51027	ERJ2GE0R00X	1/16W 0	1	(EX79)
R51028	ERJ2GEJ103X	1/16W 10K	1	(EX79)
R51029	D1BA1132A005	2W 11.3k	1	(EX79)
R51030	ERJ2GEJ332X	1/16W 3.3K	1	(EX79)
R51031	ERJ2GEJ105X	1/16W 100K	1	(EX79)

DMR-EX79EC-K

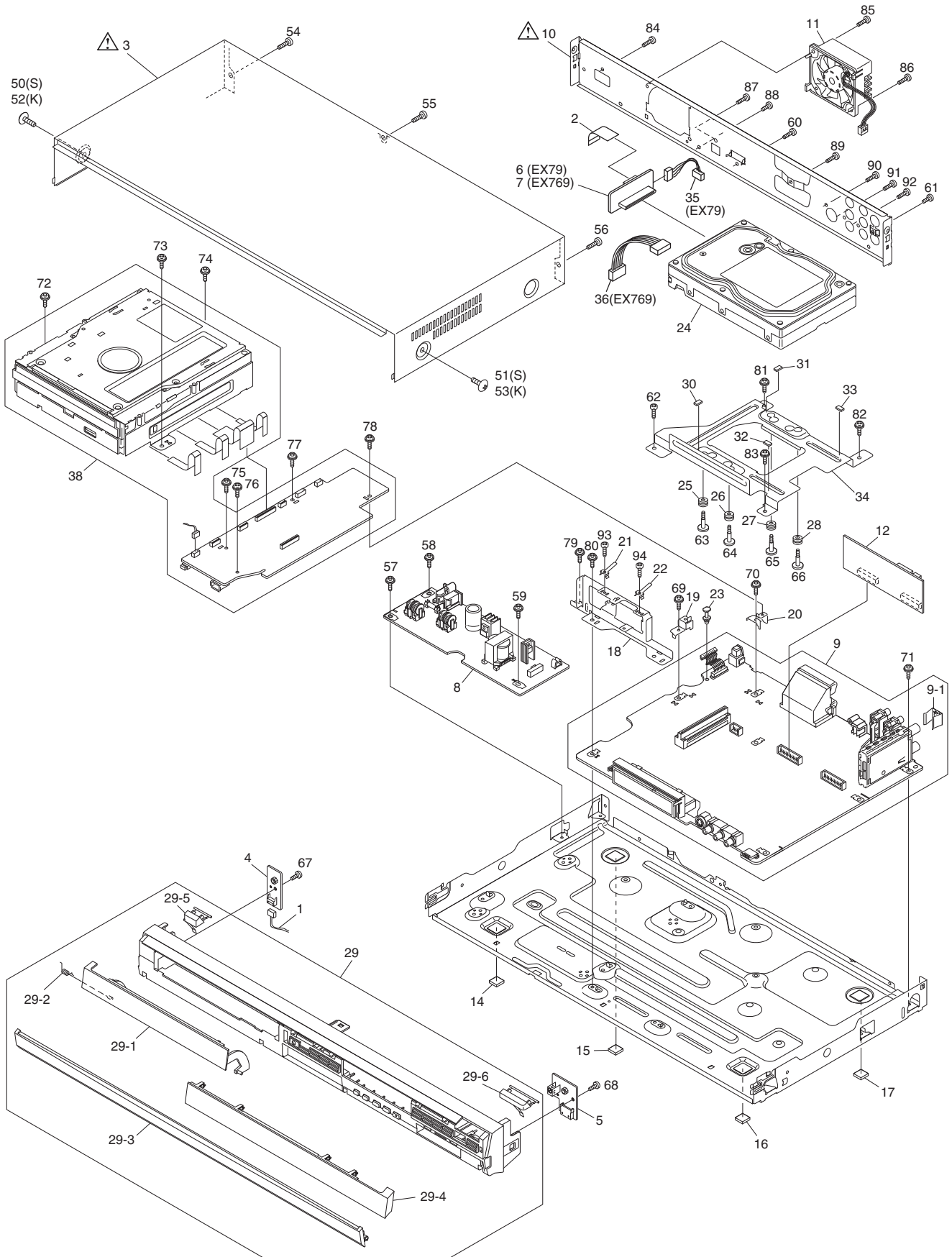
Ref.No.	Part No.	Part Name & Description	Pcs	Remarks	Ref.No.	Part No.	Part Name & Description	Pcs	Remarks
R51032	ERJ2GEJ562X	1/16W 5.6K	1	(EX79)	29-3	RKF0835-K	DOOR	1	79ECK 79EGK
R51036	ERJ2GE0R00X	1/16W 0	1	(EX79)	29-3	RKF0835G-K1	DOOR	1	79EBK
R51040	ERJ3GEY0R00V	1/10W 0	1	(EX79)	29-3	RKF0835A-K	DOOR	1	79EFK 79EPK
R51042	ERJ3GEY0R00V	1/10W 0	1	(EX79)	29-3	RKF0835-S	DOOR	1	79EGS
R51044	ERJ2GE0R00X	1/16W 0	1	(EX79)	29-3	RKF0835A-S	DOOR	1	79EPS
R51045	ERJ2GE0R00X	1/16W 0	1	(EX79)	29-3	RKF0835H-K1	DOOR	1	769EBK
					29-3	RKF0835J-K	DOOR	1	769ECK 769EFK 769EPK
RX51001	D1H82204A024	RESISTOR-RESISTOR	1	(EX79)	29-3	RKF0835J-S	DOOR	1	769EPS
RX51002	D1H82204A024	RESISTOR-RESISTOR	1	(EX79)	29-4	RYF0851F-K	FL WINDOW U	1	(EX79)
RX51003	D1H82204A024	RESISTOR-RESISTOR	1	(EX79)	29-4	RYF0851G-K	FL WINDOW U	1	(EX769)
RX51004	D1H82204A024	RESISTOR-RESISTOR	1	(EX79)	29-5	RGU2613-S	POWER BUTTON	1	
RX51005	D1H82204A024	RESISTOR-RESISTOR	1	(EX79)	29-6	RGU2614-S	OPEN BUTTON	1	
					30	RMG0742-K1	HDD SHEET	1	
X51001	H0J250500089	CRYSTAL OSCILLATOR	1	(EX79)	31	RMG0742-K1	HDD SHEET	1	
					32	RMG0742-K1	HDD SHEET	1	
					33	RMG0742-K1	HDD SHEET	1	
##	VEP70294A	ATAPI P.C.B.	1	(RTL)(EX769)	34	RMN0914	HDD BRACKET	1	
					35	VEE1F43	HDD POWER CABLE	1	(EX79)
P9801	K1KB40A00124	CONNECTOR(40P)	1	(EX769)	36	VEE1F53	MAIN-HDD CABLE	1	(EX769)
P9802	K1MN40AA0082	CONNECTOR(40P)	1	(EX769)	38	RFKNEX79EC	RAM/DIGITAL P.C.B. MODULE	1	(RTL)79EC
					38	RFKNEX79EB	RAM/DIGITAL P.C.B. MODULE	1	(RTL)79EB
					38	RFKNEX79EF	RAM/DIGITAL P.C.B. MODULE	1	(RTL)79EF
					38	RFKNEX79EG	RAM/DIGITAL P.C.B. MODULE	1	(RTL)79EG
##	M1	CASING/ACCESSORY/PACKING	1		38	RFKNEX79EP	RAM/DIGITAL P.C.B. MODULE	1	(RTL)79EP
					38	RFKNEX769EB	RAM/DIGITAL P.C.B. MODULE	1	(RTL)769EB
1	VEE1F44	FRONT SW CABLE	1		38	RFKNEX769EC	RAM/DIGITAL P.C.B. MODULE	1	(RTL)769EC
2	VWJ2069	HDD SATA FFC CABLE	1		38	RFKNEX769EF	RAM/DIGITAL P.C.B. MODULE	1	(RTL)769EF
△ 3	RKM0606-K	TOP CASE	1	(K)	38	RFKNEX769EP	RAM/DIGITAL P.C.B. MODULE	1	(RTL)769EP 769EP
△ 3	RKM0606-S	TOP CASE	1	(S)	50	RHD30113	SCREW	1	(S)
4	VEP70254A	FRONT(L)P.C.B.	1	(RTL)	51	RHD30113	SCREW	1	(S)
5	VEP70255A	FRONT(R)P.C.B.	1	(RTL)	52	RHD30113-1K	SCREW	1	(K)
6	VEP70262A	SATA P.C.B.	1	(RTL)(EX79)	53	RHD30113-1K	SCREW	1	(K)
7	VEP70294A	ATAPI P.C.B.	1	(RTL)(EX769)	54	RHD30119-L	SCREW	1	
8	VEP71141A	POWER P.C.B.	1	(RTL)	55	RHD30119-L	SCREW	1	
9	RFKB79209JT	MAIN P.C.B.	1	(RTL)79EC 79EF 79EP	56	RHD30119-L	SCREW	1	
9	RFKB79209G	MAIN P.C.B.	1	(RTL)79EB	57	RHD30111-31	SCREW	1	
9	RFKB79209HT	MAIN P.C.B.	1	(RTL)79EG	58	RHD30111-31	SCREW	1	
9	RFKB79209K	MAIN P.C.B.	1	(RTL)769EB	59	RHD30111-31	SCREW	1	
9	RFKB79209LT	MAIN P.C.B.	1	(RTL)769EC 769EF 769EP	60	XSN3+4FJ	SCREW	1	
9-1	RMC0625	TUNER END	1		61	XSN3+4FJ	SCREW	1	
△ 10	RGR0390A-M1	REAR PANEL	1	79EC 79EF 79EP	62	RHD30102-1	SCREW	1	
△ 10	RGR0390A-R1	REAR PANEL	1	79EG	63	RHD34001	SCREW	1	
△ 10	RGR0390A-L1	REAR PANEL	1	79EBK	64	RHD34001	SCREW	1	
△ 10	RGR0390A-N1	REAR PANEL	1	769EBK	65	RHD34001	SCREW	1	
△ 10	RGR0390A-P	REAR PANEL	1	769EC 769EF 769EP	66	RHD34001	SCREW	1	
11	L6FAKDBE0002	FAN MOTOR	1		67	RHD26045	SCREW	1	
12	RFKB77129C	BACKEND P.C.B.	1	(RTL)79EC 79EF	68	RHD26045	SCREW	1	
12	RFKB77129B	BACKEND P.C.B.	1	(RTL)79EG	69	RHD30111-31	SCREW	1	
12	RFKB77129D	BACKEND P.C.B.	1	(RTL)79EP 769EP	70	RHD30111-31	SCREW	1	
12	RFKB77129A	BACKEND P.C.B.	1	(RTL)79EB 769EB	71	RHD30111-31	SCREW	1	
12	RFKB77129E	BACKEND P.C.B.	1	(RTL)769EC 769EF	72	RHD30111-31	SCREW	1	
14	RKA0144-K	FOOT RUBBER	1		73	RHD30111-31	SCREW	1	
15	RKA0144-K	FOOT RUBBER	1		74	RHD30111-31	SCREW	1	
16	RKA0144-K	FOOT RUBBER	1		75	RHD30111-31	SCREW	1	
17	RKA0144-K	FOOT RUBBER	1		76	RHD30111-31	SCREW	1	
18	RMA2160	FRONT ANGLE	1		77	RHD30111-31	SCREW	1	
19	RMA2161	DIGITAL PCB BRACKET	1		78	RHD30111-31	SCREW	1	
20	RMA2161	DIGITAL PCB BRACKET	1		79	RHD30111-31	SCREW	1	
21	RMC0728	EARTH SPRING	1		80	RHD30111-31	SCREW	1	
22	RMC0728	EARTH SPRING	1		81	RHD30111-31	SCREW	1	
23	VKC0392	PCB SUPPORT	1		82	RHD30111-31	SCREW	1	
24	RFKV0181HDKT	HARD DISK DRIVE	1	(EX79)	83	RHD30111-31	SCREW	1	
24	RFKV0182HDKT	HARD DISK DRIVE	1	(EX769)	84	RHD30119-L	SCREW	1	
25	RMG0739-K	FLOATING RUBBER	1		85	RHD30119-L	SCREW	1	
26	RMG0739-K	FLOATING RUBBER	1		86	RHD30119-L	SCREW	1	
27	RMG0739-K	FLOATING RUBBER	1		87	RHD30119-L	SCREW	1	
28	RMG0739-K	FLOATING RUBBER	1		88	RHD30119-L	SCREW	1	
29	RYP1457L-K	FRONT PANEL ASS'Y1	1	79ECK 79EGK	89	RHD30119-L	SCREW	1	
29	RYP1457K-K	FRONT PANEL ASS'Y1	1	79EBK	90	RHD30119-L	SCREW	1	
29	RYP1457M-K	FRONT PANEL ASS'Y1	1	79EFK 79EPK	91	RHD30119-L	SCREW	1	
29	RYP1457L-S	FRONT PANEL ASS'Y1	1	79EGS	92	RHD30119-L	SCREW	1	
29	RYP1457M-S	FRONT PANEL ASS'Y1	1	79EPS	93	RHD30119-L	SCREW	1	
29	RYP1457P-K	FRONT PANEL ASS'Y1	1	769EBK	94	RHD30119-L	SCREW	1	
29	RYP1457Q-K	FRONT PANEL ASS'Y1	1	769ECK 769EFK 769EPK					
29	RYP1457Q-S	FRONT PANEL ASS'Y1	1	769EPS					
29-1	RKF0836A-K	TRAY DOOR	1						
29-2	RMB0877	TRAY DOOR SPRING	1						

DMR-EX79EC-K

Ref.No.	Part No.	Part Name & Description	Pcs	Remarks	Ref.No.	Part No.	Part Name & Description	Pcs	Remarks
#	M2		1	(RTL)					
A2	K1TWACC00001	RF COAXIAL CABLE	1						
A3	N2QAYB000334	REMOTE CONTROLLER ASS'Y	1	79EC 79EF 79EP					
A3	N2QAYB000332	REMOTE CONTROLLER ASS'Y	1	79EB 769EB					
A3	N2QAYB000333	REMOTE CONTROLLER ASS'Y	1	79EG					
A3	N2QAYB000335	REMOTE CONTROLLER ASS'Y	1	769EC 769EF 769EP					
A3-1	100300037800	BATTERY COVER	1						
△ A4	RJA0043-1C	AC CORD	1	EXCEPT EB					
△ A4	K2CT3CA00004	AC CORD	1	79EB 769EB					
A5	RPQD0003	PAD (C)	1						
A6	RPQFD0008	ACCESSORY BOX	1						
A7	RPF00008	POLYETHYLENE BAG	1						
△ A8	RQT9301-D	OPERATING INSTRUCTIONS	1	79EC 79EG (IF)					
△ A8	RQT9304-E	OPERATING INSTRUCTIONS	1	79EC 79EF 79EP (II)					
△ A8	RQT9299-B	OPERATING INSTRUCTIONS	1	79EB (IA)					
△ A8	RQT9300-L	OPERATING INSTRUCTIONS	1	79EG (IB)					
△ A8	RQT9305-R	OPERATING INSTRUCTIONS	1	79EP (IG)					
△ A8	RQT9307-B	OPERATING INSTRUCTIONS	1	769EB (IC)					
△ A8	RQT9309-V	OPERATING INSTRUCTIONS	1	769EC (ID)					
△ A8	RQT9310-M	OPERATING INSTRUCTIONS	1	769EC (IH)					
△ A8	RQT9311-E	OPERATING INSTRUCTIONS	1	769EF (IJ)					
△ A8	RQT9312-R	OPERATING INSTRUCTIONS	1	769EP 769EP (IE)					
PC1	RPG8714	PACKING CASE	1	79ECK					
PC1	RPG8672	PACKING CASE	1	79EBK					
PC1	RPG8716	PACKING CASE	1	79EFK					
PC1	RPG8720	PACKING CASE	1	79ECK					
PC1	RPG8721	PACKING CASE	1	79EGS					
PC1	RPG8718	PACKING CASE	1	79EPK					
PC1	RPG8719	PACKING CASE	1	79EPS					
PC1	RPG8673	PACKING CASE	1	769EBK					
PC1	RPG8722	PACKING CASE	1	769ECK					
PC1	RPG8724	PACKING CASE	1	769EFK					
PC1	RPG8726	PACKING CASE	1	769EPK					
PC1	RPG8727	PACKING CASE	1	769EPS					
PC2	RPF00004-1	MIRAMAT BAG	1						
PC3	RPN2091	CUSHION SET	1						
PC4	RPN1985-1	FRONT PAD	1						
PC5	RPQ2477	PAD	1	79ECK					

S8. Exploded View

S8.1. Frame and Casing Section



S8.2. Packing Parts and Accessories Section

