

## S7. Replacement Parts List

- Note:
- 1.\* Be sure to make your orders of replacement parts according to this list.
  2. IMPORTANT SAFETY NOTICE  
Components identified with the mark  $\triangle$  have the special characteristics for safety.  
When replacing any of these components, use only the same type.
  3. Unless otherwise specified,  
All resistors are in OHMS, K=1,000 OHMS. All capacitors are in MICRO-FARADS (uf), P=uuF.
  4. The marking (RTL) indicates the retention time is limited for this item. After the discontinuation of this assembly in production, it will no longer be available.

**E.S.D. standards for Electrostatically Sensitive Devices, refer to “PREVENTION OF ELECTROSTATIC DISCHARGE (ESD) TO ELECTROSTATICALLY SENSITIVE (ES) DEVICES” section.**



DMP-BD30EG-K

Ref.No.	Part No.	Part Name & Description	Pcs	Remarks	Ref.No.	Part No.	Part Name & Description	Pcs	Remarks
R4022	D0GB473JA057	1/10W 47K	1		C1126	F1H1E104A030	25V 0.1U	1	
R4023	D0GB473JA057	1/10W 47K	1		C1127	F2A1H100A234	50V 10U	1	
R4026	D0HB821ZA002	1/16W 820	1		C1128	ECJ1VB1A105K	10V 1U	1	
R4027	D0HB821ZA002	1/16W 820	1		C1132	F2A1V2210049	35V 220U	1	
R4028	D0HB821ZA002	1/16W 820	1		C1133	F2A1C4710079	16V 470U	1	
R4029	D0HB821ZA002	1/16W 820	1		C1135	F1H1C104A042	16V 0.1U	1	
R4032	D0GB473JA057	1/10W 47K	1		C1136	F1H1C104A042	16V 0.1U	1	
R4033	D0GB473JA057	1/10W 47K	1		C1138	F1H1C104A042	16V 0.1U	1	
R4034	D0GB473JA057	1/10W 47K	1		C1140	ECJ1VC1H181J	50V 180P	1	
R4035	D0GB473JA057	1/10W 47K	1		C1141	F2A1A470A388	10V 47U	1	
R4036	D0GB821JA057	1/10W 820	1		C1143	F2A1A101A389	10V 100U	1	
R4037	D0GB821JA057	1/10W 820	1		C1146	F1H1H1030006	50V 0.01U	1	
R4038	D0GB821JA057	1/10W 820	1		C1150	F2A1A6810022	10V 680U	1	
R4039	D0GB821JA057	1/10W 820	1		C1151	F1H1C104A042	16V 0.1U	1	
R4042	D0HD821ZA002	1/10W 820	1		C1152	F2A1E221A643	25V 220U	1	(EG)
R4043	D0HD821ZA002	1/10W 820	1		C1152	F2A1V2210049	35V 220U	1	(EE)
R4044	D0HD821ZA002	1/10W 820	1		C1153	F1H1C104A042	16V 0.1U	1	
R4045	D0HD821ZA002	1/10W 820	1		C1154	F2A1E221A205	25V 220U	1	(EE)
R4046	D0GB821JA057	1/10W 820	1		C1154	F2A1E221A643	25V 220U	1	(EG)
R4047	D0GB821JA057	1/10W 820	1		C1651	ECJ1VB1A105K	10V 1U	1	
R4048	D0GB821JA057	1/10W 820	1		C1652	ECJ1VB1A105K	10V 1U	1	
R4049	D0GB821JA057	1/10W 820	1		C1653	F1H1H1030006	50V 0.01U	1	
R4052	D0GB221JA057	1/10W 220	1		C1657	F1H0J1050012	6.3V 1U	1	
R4053	D0GB221JA057	1/10W 220	1		C1658	F1H1H1030006	50V 0.01U	1	
R4054	D0GB221JA057	1/10W 220	1		C1661	F1H1H1030006	50V 0.01U	1	
R4055	D0GB221JA057	1/10W 220	1		C1662	ECJ1VB1A105K	10V 1U	1	
R4056	D0GB221JA057	1/10W 220	1		C1663	ECJ1VB1A105K	10V 1U	1	
R4057	D0GB221JA057	1/10W 220	1		C6801	F1H1H1030006	50V 0.01U	1	
R4058	D0GB221JA057	1/10W 220	1		C6805	F1J0J106A014	6.3V 10U	1	
R4059	D0GB221JA057	1/10W 220	1		C6806	F1J0J106A014	6.3V 10U	1	
R4060	D0GB222JA057	1/10W 2.2K	1		C6807	F1J0J106A014	6.3V 10U	1	
					C6809	F1J0J106A014	6.3V 10U	1	
W201	D0YBR0000020	1/10W 0	1		C7502	F1H1H1010005	50V 100P	1	
W202	D0YBR0000020	1/10W 0	1		C7503	F1H1H1030006	50V 0.01U	1	
W203	D0YBR0000020	1/10W 0	1		C7504	F1H1H1030006	50V 0.01U	1	
W204	D0YBR0000020	1/10W 0	1		C7505	F1H1H1030006	50V 0.01U	1	
W205	D0YBR0000020	1/10W 0	1		C7506	F1H1H1030006	50V 0.01U	1	
W206	ERJ6GEY0R00Z	1/8W 0	1		C7507	F1H1H1030006	50V 0.01U	1	
W207	D0YBR0000020	1/10W 0	1		C7509	F1H1H1030006	50V 0.01U	1	
W208	ERJ6GEY0R00Z	1/8W 0	1		C7510	F1H1H1030006	50V 0.01U	1	
W209	D0YBR0000020	1/10W 0	1		C7511	F1H1C104A042	16V 0.1U	1	
W210	D0YBR0000020	1/10W 0	1		C7512	F1H1H1200004	50V 12P	1	
W211	D0YBR0000020	1/10W 0	1		C7513	F1H1H1500009	50V 15P	1	
W212	D0YBR0000020	1/10W 0	1		C7516	F1H1H1030006	50V 0.01U	1	
W213	D0YBR0000020	1/10W 0	1		C7559	ECJ1VB1A105K	10V 1U	1	
W214	D0YBR0000020	1/10W 0	1		C7560	F1H1H1030006	50V 0.01U	1	
					C7561	F1H1C104A008	16V 0.1U	1	
ZJ3001	K9ZZ00001279	EARTH PLATE	1		C7562	F1H1C104A042	16V 0.1U	1	
ZJ3002	K9ZZ00001279	EARTH PLATE	1		C7563	F1H1C104A042	16V 0.1U	1	
					C7564	F1H1C104A042	16V 0.1U	1	
##	VEP71131A	POWER P.C.B.		(EG) (RTL)	D1006	B0EDKT000009	DIODE	1	
##	VEP71131B	POWER P.C.B.		(EE) (RTL)	D1010	B0HADV000001	DIODE	1	
					D1021	MAZ73000BC	DIODE	1	
△ C1001	ECQU2A683MLC	0.068U	1		D1022	MAZ2J11100L	DIODE	1	
△ C1005	F1B2G1020002	1000P	1		D1023	MAZ73000BC	DIODE	1	
△ C1006	F1B2G1020002	1000P	1		D1024	B0HADV000001	DIODE	1	
△ C1007	ECQU2A223MLC	0.022U	1		D1025	MAZ41600MF	DIODE	1	
C1014	F2B2W4700003	450V 47U	1		D1026	B0JAML000011	DIODE	1	
C1017	F1B3A3320011	3300P	1		D1027	B0HAGM000006	DIODE	1	
△ C1018	ECKWNA102MEV	250V 1000P	1		D1028	MAZ2J11100L	DIODE	1	
C1022	F1A3D331A005	330U	1		D1029	MAZ41000MF	DIODE	1	
C1023	ECJ1VC1H471J	50V 470P	1		D1107	B0AADM000003	DIODE	1	
C1024	F1H1H1010005	50V 100P	1		D1108	B0JAME000025	DIODE	1	
C1025	F2A1V6800002	35V 68U	1		D1110	B0JBSL000002	DIODE	1	
C1026	F1H1H332A219	50V 3300P	1		D1111	B0JAML000004	DIODE	1	
C1113	F1H1C105A095	16V 1U	1		D1113	MAZ42000HF	DIODE	1	
C1114	F1H1C104A042	16V 0.1U	1		D1122	B0JCPD000021	DIODE	1	
C1117	F1H1C105A095	16V 1U	1		D1123	B0JCPD000021	DIODE	1	
C1118	F2A1C1820005	16V 1800U	1		D1125	B0JAML000004	DIODE	1	
C1120	F1H1H1030006	50V 0.01U	1		D1126	MAZ41200HF	DIODE	1	
C1121	F2A1C1820005	16V 1800U	1		D1651	B0EAKL000062	DIODE	1	
C1122	F2A1A5600003	10V 56U	1		D7510	B0ADCH000007	DIODE	1	
C1123	F2A1H1010044	50V 100U	1		D7520	MAZ41800HF	DIODE	1	
C1124	F1H1C104A042	16V 0.1U	1						
C1125	ECA1CPX102E	16V 1000U	1	(EG)	△ F1001	K5D202BK0005	FUSE	1	
C1125	F2A1C102A236	16V 1000U	1	(EE)					

DMP-BD30EG-K

Ref.No.	Part No.	Part Name & Description	Pcs	Remarks
IC1021	C0DACZH00017	IC	1	
IC1101	C0DAEY00022	IC	1	
IC1102	C0CBCAD00090	IC	1	
IC1103	C0DBAZ00132	IC	1	
IC1104	C0DAEYH00002	IC	1	
IC1651	C0CBCBD00008	IC	1	
IC1653	C0CBCY00001	IC	1	
IC7501	MN67793KD	IC	1	
IC7503	C0EBK0000206	IC	1	
IC7504	C0ABBA000168	IC	1	
IC7512	C0EBD0000239	IC	1	
△ IP1101	K5H102Z00006	IC PROTECTOR	1	
△ IP1102	K5H102Z00006	IC PROTECTOR	1	
△ IP1103	K5H302Z00003	IC PROTECTOR	1	
△ IP1105	K5H172Z00003	CHIP FUSE	1	
△ IP7502	K5H751Z00003	IC PROTECTOR	1	
△ L1001	G0B233D00001	COIL	1	
△ L1002	G0B233D00001	COIL	1	
L1103	G0A100H00025	COIL 10UH	1	
L1104	G0A100HA0023	COIL 10UH	1	
L1105	G0A150ZA0041	COIL 15UH	1	
L1107	G0C330KA0065	COIL 33UH	1	
LB1103	J0JHC0000048	FILTER	1	
LB1104	J0JHC0000048	FILTER	1	
LB1107	J0JHC0000048	FILTER	1	
LB1601	ERJ6GEY0R00Z	1/8W 0	1	
LB1602	ERJ6GEY0R00Z	1/8W 0	1	
LB6801	J0JHC0000032	COIL	1	
LB6802	J0JCC0000185	COIL	1	
LB6803	J0JGC0000020	COIL	1	
LB6804	J0JCC0000185	COIL	1	
LB6805	J0JCC0000185	COIL	1	
LB7501	J0JCC0000185	COIL	1	
LB7502	J0JGC0000020	COIL	1	
LB7503	J0JGC0000020	COIL	1	
LB7504	J0JGC0000020	COIL	1	
LB7505	J0JCC0000185	COIL	1	
LB7506	J0JCC0000185	COIL	1	
LB7507	J0JCC0000185	COIL	1	
LB7508	J0JCC0000185	COIL	1	
LB7509	J0JCC0000185	COIL	1	
LB7510	J0JCC0000185	COIL	1	
LB7511	J0JCC0000185	COIL	1	
LB7512	J0JCC0000185	COIL	1	
LB7513	J0JGC0000020	COIL	1	
LB7514	J0JGC0000020	COIL	1	
△ P1001	K2AA2H000007	AC INLET	1	
P1102	K1KY09AA0606	CONNECTOR(9P)	1	
P1601	K1KA04AA0180	CONNECTOR(4P)	1	
P6801	K1NA12B00004	CONNECTOR(12P)	1	
P7501	K1KB18B00017	CONNECTOR(18P)	1	
P7503	K1KY23AA0606	CONNECTOR(23P)	1	
P7504	K1KY23AA0606	CONNECTOR(23P)	1	
Q1021	2SD0601AHL	TRANSISTOR	1	
△ Q1022	B3PBA0000454	TRANSISTOR	1	
△ Q1023	B3PBA0000454	TRANSISTOR	1	
Q1101	2SA1309ARA	TRANSISTOR	1	
Q1102	B1DHED000008	TRANSISTOR	1	
Q1104	B1DHED000008	TRANSISTOR	1	
Q1106	2SB1320ARA	TRANSISTOR	1	
Q1107	2SC3311ASA	TRANSISTOR	1	
Q1651	B1ABDF000026	TRANSISTOR	1	
Q7506	B1ABGC000011	TRANSISTOR	1	
Q7509	B1ABMF000020	TRANSISTOR	1	
QR1101	B1GBCFLL0042	TRANSISTOR	1	
QR1102	B1GBCFNN0041	TRANSISTOR	1	
QR1105	B1GBCFLL0042	TRANSISTOR	1	
QR1651	B1GBCFNN0041	TRANSISTOR	1	
QR1652	B1GDCFFGG0028	TRANSISTOR	1	
QR7502	B1GDCFNN0024	TRANSISTOR	1	

Ref.No.	Part No.	Part Name & Description	Pcs	Remarks
R1014	ERG2SJ104P	2W 100K	1	
R1022	ERX2SZJR20E	2W 20	1	
R1023	D0GB103JA057	1/10W 10K	1	
R1024	ERJ3RBD153V	1/16W 15K	1	
R1025	ERJ3RBD222V	1/16W 2.2K	1	
R1026	ERDS2TJ221T	1/4W 220	1	
R1027	D0GB104JA057	1/10W 100K	1	
R1028	D0GB220JA057	1/10W 22	1	
R1029	D0GB220JA057	1/10W 22	1	
R1030	D0GB152JA057	1/10W 1.5K	1	
R1032	ERJ3RBD432V	1/16W 4.3K	1	
R1033	ERJ3RBD332V	1/16W 3.3K	1	
R1034	D0GB104JA057	1/10W 100K	1	
R1104	D0GB472JA057	1/10W 4.7K	1	
R1111	D0GB102JA057	1/10W 1K	1	
R1112	D0GB222JA057	1/10W 2.2K	1	
R1113	D0GB103JA057	1/10W 10K	1	
R1115	ERJ3RBD242V	1/16W 2.4K	1	
R1116	D0GB222JA057	1/10W 2.2K	1	
R1117	ERDS2TJ101T	1/4W 100	1	
R1118	ERJ3RBD301V	1/16W 300	1	
R1119	ERJ3RBD912V	1/16W 9.1K	1	
R1120	D0GB472JA057	1/10W 4.7K	1	
R1121	D0GB223JA057	1/10W 22K	1	
R1123	D0GB223JA057	1/10W 22K	1	
R1129	D0GB513JA057	1/10W 51K	1	
R1130	D1BFR0270001	1/2W 0.027	1	
R1136	ERJ3RBD152V	1/16W 1.5K	1	
R1137	ERJ3RBD393V	1/16W 39K	1	
R1138	ERJ3RBD113V	1/16W 11K	1	
R1141	ERJ3RBD222V	1/16W 2.2K	1	
R1142	ERJ3RBD822V	1/16W 8.2K	1	
R1143	ERJ3RBD272V	1/16W 2.7K	1	
R1144	ERJ6GEY0R00Z	1/8W 0	1	
R1146	ERJ6GEY0R00Z	1/8W 0	1	
R1150	ERJ6GEY0R00Z	1/8W 0	1	
R1151	D0GB221JA057	1/10W 220	1	
R1152	ERJ6GEY0R00Z	1/8W 0	1	
R1161	ERDS2TJ821T	1/4W 820	1	
R1162	ERDS2TJ821T	1/4W 820	1	
R1163	ERDS2TJ821T	1/4W 820	1	
R1164	ERDS2TJ821T	1/4W 820	1	
R1165	ERDS2TJ821T	1/4W 820	1	
R1166	D0GB821JA057	1/10W 820	1	
R1651	D0GB823JA057	1/10W 82K	1	
R1654	ERJ6GEYJ101V	1/8W 100	1	
R1655	D0GB472JA057	1/10W 4.7K	1	
R6801	J0JCC0000185	COIL	1	
R6804	D0GB223JA057	1/10W 22K	1	
R6805	D0GB123JA057	1/10W 12K	1	
R6807	D0GB223JA057	1/10W 22K	1	
R6808	D0GB2R2JA057	1/10W 2.2	1	
R6809	D0GB2R2JA057	1/10W 2.2	1	
R6810	D0GB2R2JA057	1/10W 2.2	1	
R6811	D0GB2R2JA057	1/10W 2.2	1	
R6812	D0GB2R2JA057	1/10W 2.2	1	
R6813	D0GB123JA057	1/10W 12K	1	
R6814	D0GB123JA057	1/10W 12K	1	
R6815	D0GB123JA057	1/10W 12K	1	
R6816	D0GB123JA057	1/10W 12K	1	
R7502	D0GB101JA057	1/10W 100	1	
R7503	D0GB473JA057	1/10W 47K	1	
R7515	D0GB103JA057	1/10W 10K	1	
R7516	D0GB103JA057	1/10W 10K	1	
R7517	D0GB103JA057	1/10W 10K	1	
R7518	D0GB103JA057	1/10W 10K	1	
R7519	D0GB103JA057	1/10W 10K	1	
R7520	D0GB104JA057	1/10W 100K	1	
R7525	D0GB472JA057	1/10W 4.7K	1	
R7526	D0GB473JA057	1/10W 47K	1	
R7528	D0YBR0000020	1/10W 0	1	
R7530	D0GB473JA057	1/10W 47K	1	
R7531	D0GB101JA057	1/10W 100	1	
R7534	D0GB103JA057	1/10W 10K	1	
R7536	D0GB101JA057	1/10W 100	1	
R7537	D0GB101JA057	1/10W 100	1	
R7539	D0GB101JA057	1/10W 100	1	

DMP-BD30EG-K

Ref.No.	Part No.	Part Name & Description	Pcs	Remarks	Ref.No.	Part No.	Part Name & Description	Pcs	Remarks
R7540	D0GB101JA057	1/10W 100	1		ZA1111	XYN3+J8FJ	SCREW	1	
R7541	D0GB101JA057	1/10W 100	1						
R7547	D0GB101JA057	1/10W 100	1						
R7548	D0GB103JA057	1/10W 10K	1		##	VEP76165B	FRONT(L)P.C.B.		(RTL)
R7553	D0GB103JA057	1/10W 10K	1		D7001	B3AAA0000791	DIODE	1	(EG)
R7561	D0GB101JA057	1/10W 100	1		P7001	K1KA03AA0399	CONNECTOR	1	
R7562	D0GB101JA057	1/10W 100	1		R7001	ERJ6GEYJ301V	1/8W 300	1	(EG)
R7564	D0GB101JA057	1/10W 100	1		S7001	EVQ11A04M	SWITCH,POWER	1	
R7565	D0GB103JA057	1/10W 10K	1						
R7566	D0GB103JA057	1/10W 10K	1		##	VEP76166B	FRONT(R)P.C.B.		(RTL)
R7567	D0GB821JA057	1/10W 820	1		C7202	F1H1A1050029	10V 1U	1	
R7568	D0GB303JA057	1/10W 30K	1		C7204	F1H1C104A042	16V 0.1U	1	
R7569	ERJ3RBD822V	1/16W 8.2K	1		C7205	F1H1C104A042	16V 0.1U	1	
R7570	D0GB473JA057	1/10W 47K	1		C7206	F1H1H104A731	50V 0.1U	1	
R7575	D0GB101JA057	1/10W 100	1		D7201	B3AEA0000099	LED	1	
R7577	D0GB473JA057	1/10W 47K	1		DP7201	A2BD00000183	DISPLAY TUBE	1	
R7579	D0GB473JA057	1/10W 47K	1		IC7201	C0HBB0000057	IC	1	
R7582	ERJ3RBD242V	1/16W 2.4K	1		IR7201	B3RAD0000150	REMOTE SENSOR	1	
R7587	ERJ3RBD222V	1/16W 2.2K	1		LB7201	J0JCC0000103	COIL	1	
R7592	D0GB101JA057	1/10W 100	1		LB7202	D0YBR0000020	1/10W 0	1	(EG)
R7593	D0GB101JA057	1/10W 100	1		LB7203	J0JCC0000103	COIL	1	
R7603	D0GB103JA057	1/10W 10K	1		P7201	K1KA18B00034	CONNECTOR(18P)	1	
R7611	D0GB101JA057	1/10W 100	1		P7202	K1KA03AA0301	CONNECTOR(3P)	1	
R7612	D0GB101JA057	1/10W 100	1		Q7201	B1ABDF000033	TRANSISTOR	1	
R7613	D0GB101JA057	1/10W 100	1		QR7201	B1GDCFEJ0010	TRANSISTOR	1	(EG)
R7614	D0GB101JA057	1/10W 100	1		QR7202	B1GBCFJJ0040	TRANSISTOR	1	(EG)
R7615	D0GB101JA057	1/10W 100	1		R7201	ERJ3RBD392V	1/16W 3.9K	1	
R7616	D0GB101JA057	1/10W 100	1		R7202	ERJ3RBD222V	1/16W 2.2K	1	
R7617	D0GB101JA057	1/10W 100	1		R7203	ERJ6GEYJ301V	1/8W 300	1	
R7618	D0GB101JA057	1/10W 100	1		R7205	D0GB332JA057	1/10W 3.3K	1	
R7620	D0GB103JA057	1/10W 10K	1		R7206	D0GB473JA057	1/10W 47K	1	
R7622	D0GB103JA057	1/10W 10K	1		R7207	D0GB330JA057	1/10W 33	1	
R7623	D0YBR0000020	1/10W 0	1		R7208	D0GB104JA057	1/10W 100K	1	
R7625	D0YBR0000020	1/10W 0	1		S7201	EVQ11A04M	SWITCH,OPEN/CLOSE	1	
R7627	D0GB223JA057	1/10W 22K	1		S7202	EVQ11A04M	SWITCH,PLAY	1	
R7628	D0YBR0000020	1/10W 0	1		S7203	EVQ11A04M	SWITCH,SKIP-FWD	1	
R7629	ERJ3RBD471V	1/16W 470	1		S7204	D0YBR0000020	SWITCH,PAUSE	1	
R7631	D0YBR0000020	1/10W 0	1		S7205	EVQ11A04M	SWITCH,SKIP-REV	1	
R7632	D0YBR0000020	1/10W 0	1		S7206	EVQ11A04M	SWITCH,STOP	1	
					W101	D0YBR0000020	1/10W 0	1	
⚠ T1001	G4D2A0000297	TRANSFORMER	1		W102	D0YBR0000020	1/10W 0	1	
⚠ VA1001	ERZV05Z471CS	VARISTOR	1		ZB7201	RMN0896A	FL HOLDER	1	
W81	ERJ6GEYOR00Z	1/8W 0	1		##	VEP70237A	SD CONNECTOR BOARD		
W301	ERJ6GEYOR00Z	1/8W 0	1		FL6901	J0MAB0000148	FILTER	1	
W302	ERJ6GEYOR00Z	1/8W 0	1		FL6902	J0MAB0000148	FILTER	1	
W303	ERJ6GEYOR00Z	1/8W 0	1		FL6903	J0MAB0000148	FILTER	1	
W304	D0YBR0000020	1/10W 0	1		FL6905	J0MAB0000148	FILTER	1	
W305	ERJ6GEYOR00Z	1/8W 0	1		FL6906	J0MAB0000148	FILTER	1	
W306	ERJ6GEYOR00Z	1/8W 0	1		PK6901	K1MR09AA0015	CONNECTOR(9P)	1	
W307	D0YBR0000020	1/10W 0	1		PK6902	K1MR10AA0015	CONNECTOR(10P)	1	
W308	D0YBR0000020	1/10W 0	1		R6902	D0GB820JA057	1/10W 82	1	
W309	D0YBR0000020	1/10W 0	1						
W310	D0YBR0000020	1/10W 0	1						
W311	D0YBR0000020	1/10W 0	1						
W312	D0YBR0000020	1/10W 0	1						
W313	D0YBR0000020	1/10W 0	1						
W314	D0YBR0000020	1/10W 0	1						
W315	ERJ6GEYOR00Z	1/8W 0	1						
W316	D0YBR0000020	1/10W 0	1						
W317	ERJ6GEYOR00Z	1/8W 0	1						
W318	ERJ6GEYOR00Z	1/8W 0	1						
W319	ERJ6GEYOR00Z	1/8W 0	1						
X7502	H0D100500018	CRYSTAL OSCILLATOR	1						
ZA1001	EYF52BCY	FUSE HOLDER	1		##		M1		
ZA1002	EYF52BCY	FUSE HOLDER	1						
ZA1003	K9ZZ00001279	EARTH PLATE	1						
ZA1004	K9ZZ00001279	EARTH PLATE	1						
ZA1005	K9ZZ00001279	EARTH PLATE	1						
ZA1006	K9ZZ00001279	EARTH PLATE	1						
ZA1007	K9ZZ00001279	EARTH PLATE	1						
ZA1021	VSC5603	HEAT SINK	1						
ZA1022	XYN3+J8FJ	SCREW	1						
ZA1110	VSC5603	HEAT SINK	1						

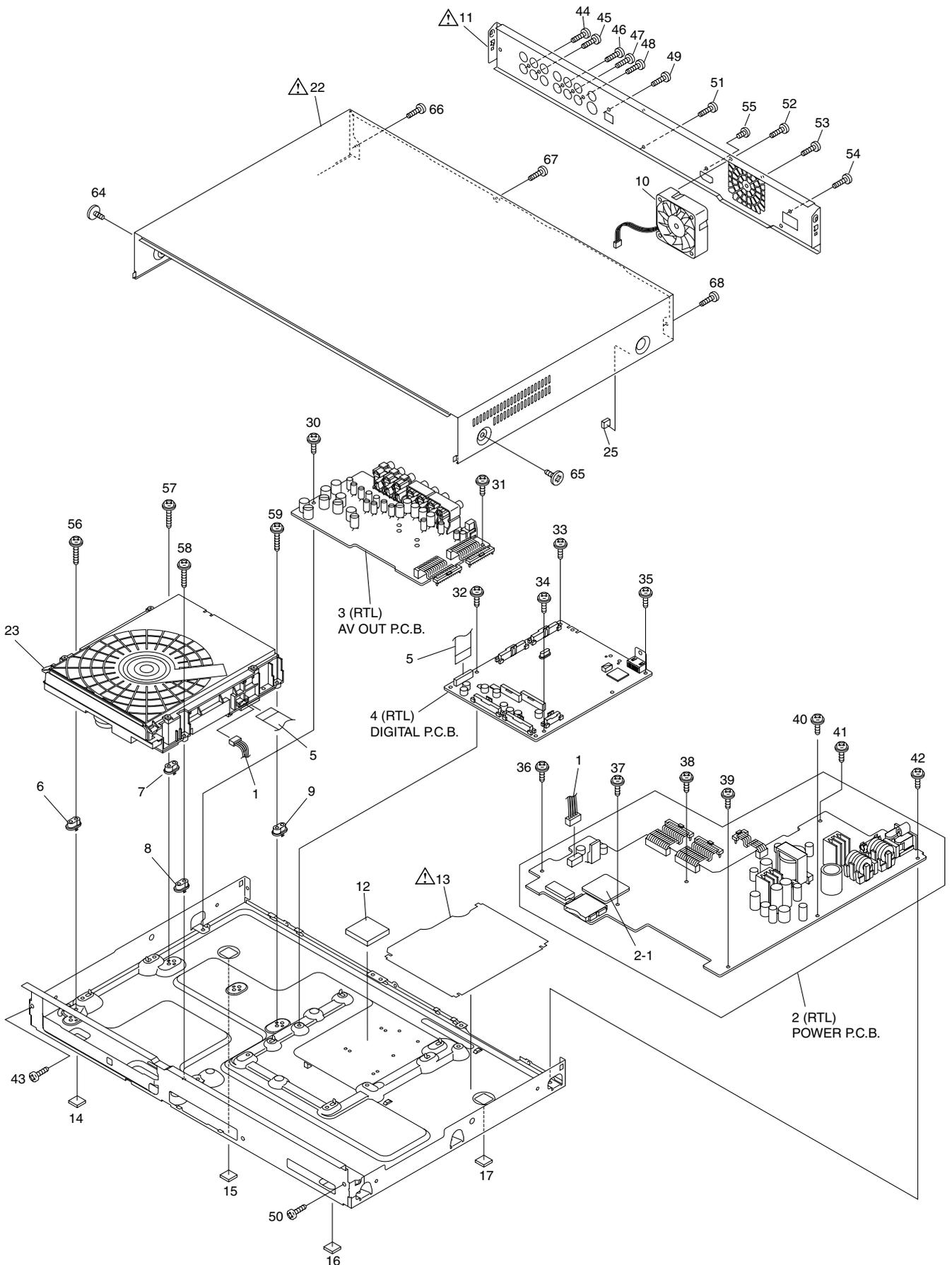
DMP-BD30EG-K

Ref.No.	Part No.	Part Name & Description	Pcs	Remarks
1	VEE1E13	WIRE WITH CONNECTOR(4P)	1	
2	VEP71131A	POWER P.C.B.	1	(EG) (RTL)
2	VEP71131B	POWER P.C.B.	1	(EE) (RTL)
2-1	VEP70237A	SD CONNECTOR BOARD	1	
3	RFKB73152B	AV OUT P.C.B.	1	(EG) (RTL)
3	RFKB73152C	AV OUT P.C.B.	1	(EE) (RTL)
4	RFKB76160CT	DIGITAL P.C.B.	1	(RTL)
5	VWJ2010	FFC(40P)	1	
6	RMX0404-1	DRIVE SPACER	1	
7	RMX0404-1	DRIVE SPACER	1	
8	RMX0404-1	DRIVE SPACER	1	
9	RMX0404-1	DRIVE SPACER	1	
10	L6FAJBYG0002	DC FAN MOTORS	1	
△ 11	RGR0379C-B2	REAR PANEL	1	(EG)
△ 11	RGR0379C-E1	REAR PANEL	1	(EE)
12	RSC0824	RADIATOR SHEET	1	
△ 13	RMZ0926	BARRIER A	1	
14	RKA0137-K	FOOT RUBBER	1	
15	RKA0137-K	FOOT RUBBER	1	
16	RKA0137-K	FOOT RUBBER	1	
17	RKA0137-K	FOOT RUBBER	1	
△ 22	RKM0585-K	TOP CASE	1	
23	VXY2001	BD/DVD DRIVE	1	(RTL)
25	RKA0144-K	FOOT RUBBER	1	
30	RHD30111-3	SCREW	1	
31	RHD30111-3	SCREW	1	
32	RHD30111-3	SCREW	1	
33	RHD30111-3	SCREW	1	
34	RHD30111-3	SCREW	1	
35	RHD30111-3	SCREW	1	
36	RHD30111-3	SCREW	1	
37	RHD30111-3	SCREW	1	
38	RHD30111-3	SCREW	1	
39	RHD30111-3	SCREW	1	
40	RHD30111-3	SCREW	1	
41	RHD30111-3	SCREW	1	
42	RHD30111-3	SCREW	1	
43	RHD30119-L	SCREW	1	
44	RHD30119-L	SCREW	1	
45	RHD30119-L	SCREW	1	
46	RHD30119-L	SCREW	1	
47	RHD30119-L	SCREW	1	
48	RHD30119-L	SCREW	1	
49	RHD30119-L	SCREW	1	
50	RHD30119-L	SCREW	1	
51	RHD30119-L	SCREW	1	
52	RHD30119-L	SCREW	1	
53	RHD30119-L	SCREW	1	
54	RHD30119-L	SCREW	1	
55	XSN3+4FJ	SCREW	1	
56	RHDC0003-1	SCREW	1	
57	RHDC0003-1	SCREW	1	
58	RHDC0003-1	SCREW	1	
59	RHDC0003-1	SCREW	1	
64	RHD30113-1K	SCREW	1	
65	RHD30113-1K	SCREW	1	
66	VHD0690-1	SCREW	1	
67	VHD0690-1	SCREW	1	
68	VHD0690-1	SCREW	1	
##		M2		
18	VEE1E12	WIRE WITH CONNECTOR	1	
19	RYP1409D-K1	FRONT PANEL ASS'Y1	1	
19-1	RDG0620	DAMPER	1	
19-2	RGK2098-K	HOLD PANEL	1	
19-3	RGL0712-Q	SD PANEL LIGHT	1	
19-4	RGU2550A-K	PLAY BUTTON	1	
19-5	RGU2551B-K	POWER BUTTON	1	
19-6	RGU2552A-K	OPEN/CLOSE BUTTON	1	
19-7	RHD26045	SCREW	1	
19-8	RMR1854-W	SD REFRECTOR	1	
19-9-1	RMB0875	BLINDER SPRING	1	
19-9-2	RMG0735-K	TRAY DOOR CUSHION	1	
19-9-3	RMG0735-K	TRAY DOOR CUSHION	1	

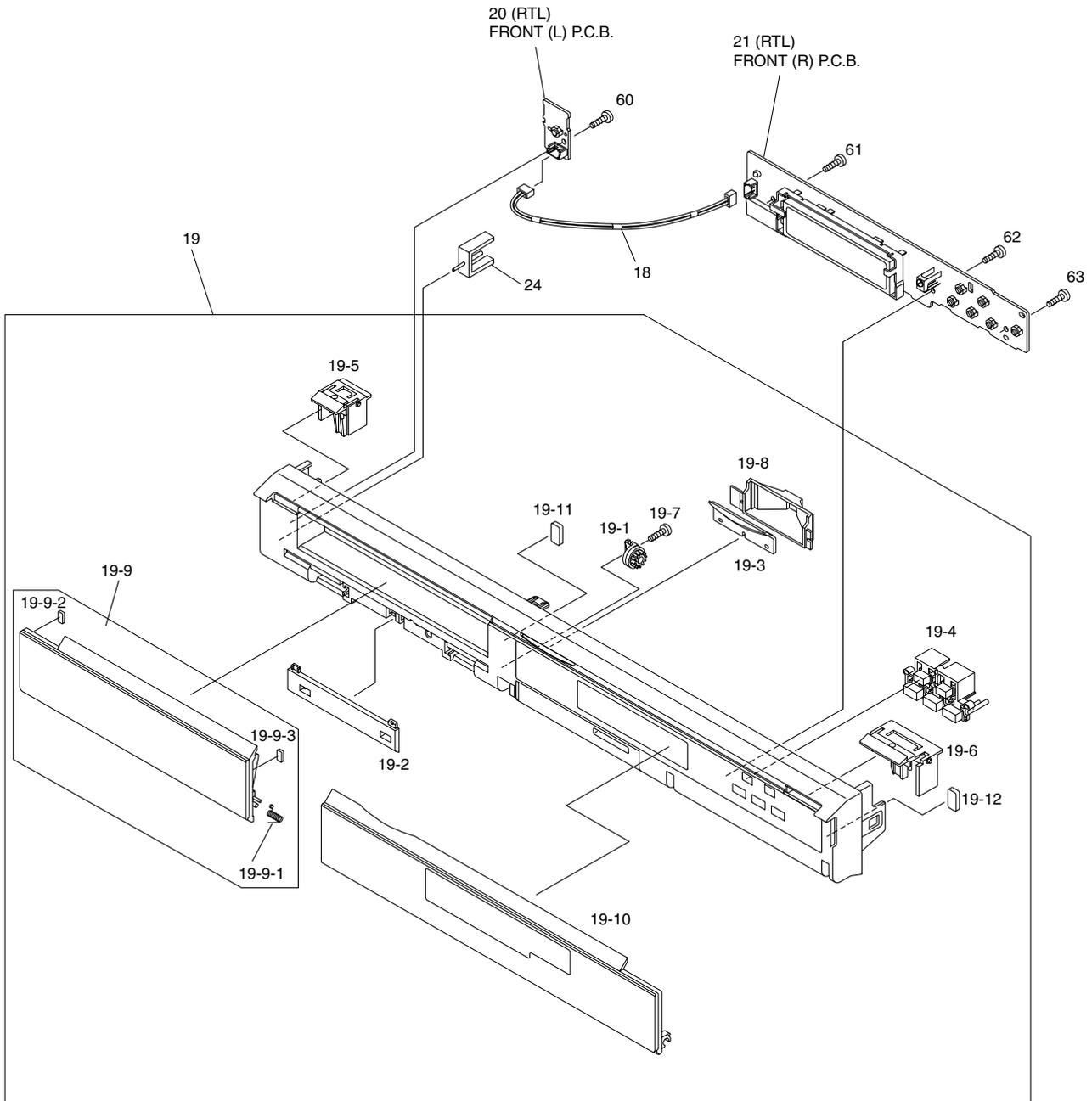
Ref.No.	Part No.	Part Name & Description	Pcs	Remarks
19-9	RYF0821D-K	TRAY DOOR ASS'Y	1	
19-10	RYF0822C-K	DOOR ASS'Y	1	
19-11	VSQ1087-2	MAGNET	1	
19-12	VSQ1087-2	MAGNET	1	
20	VEP76165B	FRONT(L)P.C.B.	1	(RTL)
21	VEP76166B	FRONT(R)P.C.B.	1	(RTL)
24	RGL0713-Q	STB PANEL LIGHT	1	
60	RHD26045	SCREW	1	
61	RHD26045	SCREW	1	
62	RHD26045	SCREW	1	
63	RHD26045	SCREW	1	
##		M3		
△ A1	RJA0043-1C	AC CORD	1	
△ A1	K2CT3CA00004	AC CORD	1	(EG)
A3	K2KA2BA00003	AV CORD	1	
A4	XZB15X30A04Z	POLYETHYLENE BAG	1	
A5	RPF0005-1	POLYETHYLENE BAG	1	
A6	RQT9038-B	OPERATING INSTRUCTIONS	1	(EG) (IA)
A6	RQT9039-D	OPERATING INSTRUCTIONS	1	(EG) (IB)
A6	RQT9040-E	OPERATING INSTRUCTIONS	1	(EG) (IC)
A6	RQT9041-R	OPERATING INSTRUCTIONS	1	(EG) (ID)
A7	N2QAYB000185	REMOTE CONTROLLER	1	
A7-1	100300037800	BATTERY COVER	1	
PC1	RPQ8455	PACKING CASE	1	(EG)
PC1	RPQ8456	PACKING CASE	1	(EE)
PC2	RPN2015-J	CUSHION	1	
PC3	RPF0004-1	MIRAMAT BAG	1	
PC4	RPQ2334	PAD	1	(EG)
##		M4		
△ 101	VQL1J70	LASER CAUTION LABEL	1	
102	VMA0V86	YOKE	1	
103	VMD5751	UPPER BASE	1	
104	VMD5752	CLAMPER	1	
105	VMT1876	DUST COVER A	1	
106	VMZ3737	CLAMP COVER	1	
107	VXA8487	TRAY ASS'Y	1	
108	VHD1518-1	SCREW	1	
109	VHD1518-1	SCREW	1	
110	VHD1518-1	SCREW	1	
111	VHD1518-1	SCREW	1	
112	VMD5753	MID BASE	1	
113	VDG1713	PULLEY GEAR	1	
114	VDG1714	MID GEAR	1	
115	VDG1715	DRIVE GEAR	1	
116	VEM0867	LOADING MOTOR U	1	
117	VHD1653-1	SCREW	1	
118	VMD5748	MECHA CHASSIS	1	
119	VMD5749	SLIDE CAM	1	
120	VMG1809	BELT	1	
121	VMT1877	DUST COVER B	1	
122	VHD1653-1	SCREW	1	
123	VHD1653-1	SCREW	1	
124	VHD1653-1	SCREW	1	
125	VHD1653-1	SCREW	1	
126	VMG1810	DAMPER	1	
127	VMG1810	DAMPER	1	
128	VMG1810	DAMPER	1	
129	VMG1810	DAMPER	1	

# S8. Exploded View

## S8.1. Frame and Casing Section (1)

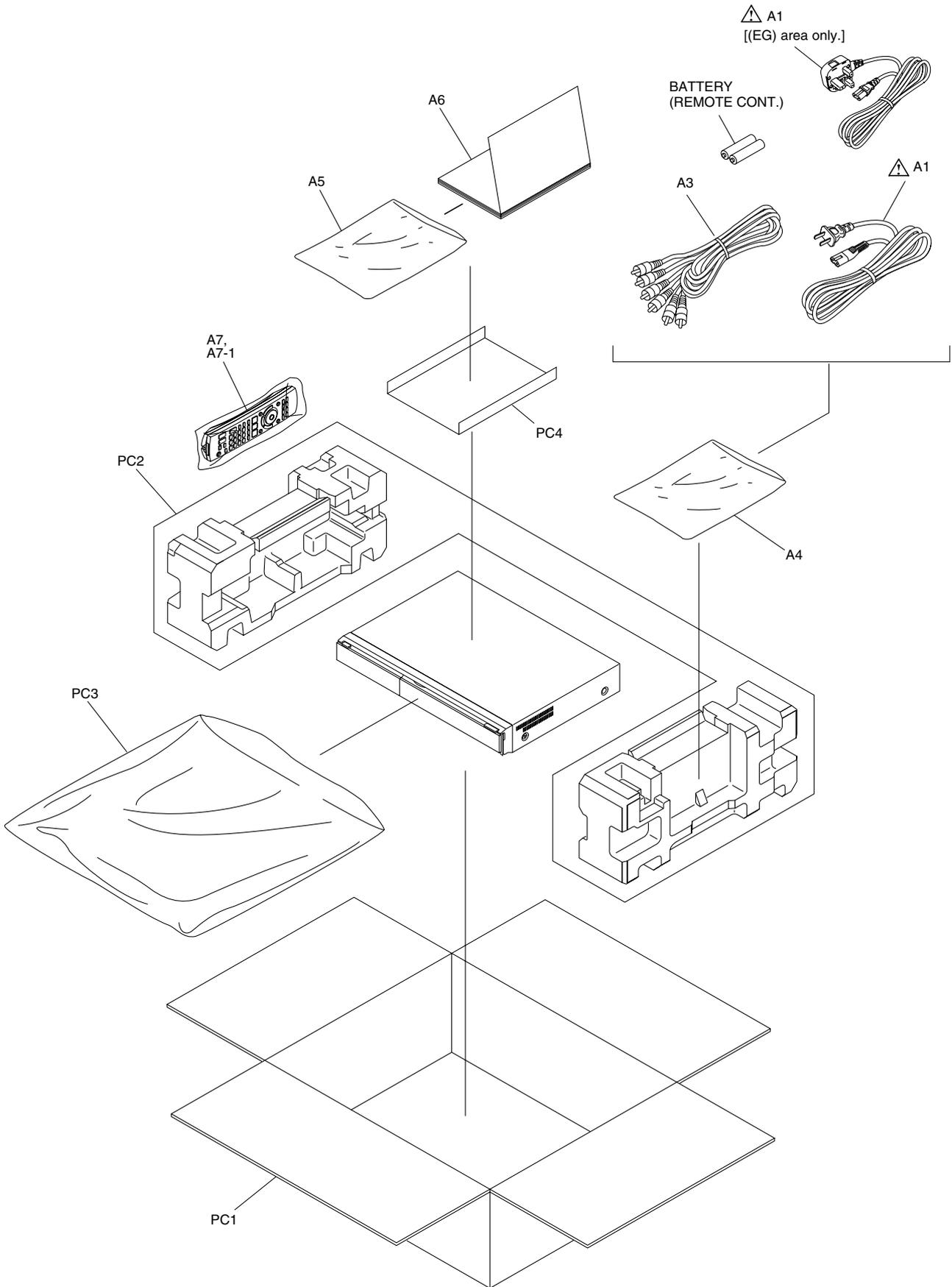


## S8.2. Frame and Casing Section (2)





### S8.3. Packing Parts and Accessories Section



# S8.4. Mechanism Section

