

## S6. Replacement Parts List

- Note: 1.\* Be sure to make your orders of replacement parts according to this list.
2. IMPORTANT SAFETY NOTICE  
Components identified with the mark  $\triangle$  have the special characteristics for safety.  
When replacing any of these components, use only the same type.
3. Unless otherwise specified,  
All resistors are in OHMS, K=1,000 OHMS. All capacitors are in MICRO-FARADS (uf), P=uuF.
4. The marking (RTL) indicates the retention time is limited for this item. After the discontinuation of this assembly in production, it will no longer be available.
5. Supply of CD-ROM, in accordance with license protection, is allowable as replacement parts only for customers who accidentally damaged or lost their own.

**E.S.D. standards for Electrostatically Sensitive Devices, refer to PREVENTION OF ELECTROSTATIC DISCHARGE (ESD) TO ELECTROSTATICALLY SENSITIVE (ES) DEVICES section.**

**Definition of Parts supplier:**

1. **Parts marked with [ENERGY] in the remarks column are supplied from Panasonic Corporation Energy Company.**  
**Others are supplied from AVC-CSC-SPC.**

DMC-TZ7EB/EE/EF/EG/EP/GC/GJ/GN/SG, DMC-ZS3GD/GH/GK/GT/P/PC/PU

Ref.No.	Part No.	Part Name & Description	Pcs	Remarks
		----- P.C.B. LIST -----		
##	VEP56081C	MAIN P.C.B.	1	(RTL) E.S.D. EB,EF,EG,EP
##	VEP56081A	MAIN P.C.B.	1	(RTL) E.S.D. EE,GC,GJ,GN, SG,GD,GH,GK,GT,P,PC,PU
##	VEP51024A	SUB P.C.B.	1	(RTL) E.S.D.
##	VEP50038A	TOP OPERATION P.C.B.	1	(RTL) E.S.D.
##	VEP58079A	FLASH P.C.B.	1	(RTL) E.S.D.
##	VEK0N77	CCD UNIT	1	E.S.D.
		--- INDIVIDUAL PARTS ---		
##	VEP50038A	TOP OPERATION P.C.B.		(RTL) E.S.D.
C5201	F1G1A104A012	C.CAPACITOR CH 10V 0.1U	1	
C5202	ECJ0EB1C153K	C.CAPACITOR CH 16V 0.015U	1	
C5203	ECJ0EB1C153K	C.CAPACITOR CH 16V 0.015U	1	
C5204	F1G1A104A012	C.CAPACITOR CH 10V 0.1U	1	
C5205	ECJ0EB1A333K	C.CAPACITOR CH 10V 0.033U	1	
C5206	ECJ0EC1H151J	C.CAPACITOR CH 50V 150P	1	
C5207	ECJ0EC1H151J	C.CAPACITOR CH 50V 150P	1	
C5208	ECJ0EB1A333K	C.CAPACITOR CH 10V 0.033U	1	
C5209	F1G0J224A004	C.CAPACITOR CH 6.3V 0.22U	1	
C5210	F1G0J224A004	C.CAPACITOR CH 6.3V 0.22U	1	
C5211	ECJ0EB1E472K	C.CAPACITOR CH 25V 4700P	1	
C5212	ECJ0EB1E472K	C.CAPACITOR CH 25V 4700P	1	
C5213	F1H0J475A010	C.CAPACITOR CH 6.3V 4.7U	1	
C5214	F1H0J475A010	C.CAPACITOR CH 6.3V 4.7U	1	
C5215	F1H0J475A010	C.CAPACITOR CH 6.3V 4.7U	1	
C5216	ECJ0EB1C103K	C.CAPACITOR CH 16V 0.01U	1	
D9901	B3ADB0000131	DIODE	1	E.S.D.
ET9901	K4AC01D00001	EARTH SPRING	1	
ET9902	K4AC01D00001	EARTH SPRING	1	
ET9903	N9ZZ00000333	EARTH SPRING	1	
FP9901	K1MY45BA0235	CONNECTOR 45P	1	
FP9902	K1MN04BA0162	CONNECTOR 4P	1	
IC5201	C0ABBA000201	IC	1	E.S.D.
IC5202	C0ABBA000201	IC	1	E.S.D.
LB9911	J0JCC0000415	FILTER	1	
LB9912	J0JCC0000415	FILTER	1	
LB9913	J0JCC0000415	FILTER	1	
PP9903	K1KB20AA0094	CONNECTOR 20P	1	
Q5201	2SD2216J0L	TRANSISTOR	1	E.S.D.
Q5202	2SD2216J0L	TRANSISTOR	1	E.S.D.
Q5203	2SD2216J0L	TRANSISTOR	1	E.S.D.
QR5204	XP4314	TRANSISTOR-RESISTOR	1	E.S.D.
R5201	ERJ2GEJ222	M.RESISTOR CH 1/16W 2.2K	1	
R5202	ERJ2GEJ222	M.RESISTOR CH 1/16W 2.2K	1	
R5203	ERJ2GEJ223	M.RESISTOR CH 1/16W 22K	1	
R5204	ERJ2GEJ223	M.RESISTOR CH 1/16W 22K	1	
R5205	ERJ2GEJ154	M.RESISTOR CH 1/16W 150K	1	
R5206	ERJ2GEJ154	M.RESISTOR CH 1/16W 150K	1	
R5207	ERJ2GEJ223	M.RESISTOR CH 1/16W 22K	1	
R5208	ERJ2GEJ223	M.RESISTOR CH 1/16W 22K	1	
R5209	ERJ2GED273X	M.RESISTOR CH 1/16W 27K	1	
R5210	ERJ2GED273X	M.RESISTOR CH 1/16W 27K	1	
R5211	ERJ2GEJ154	M.RESISTOR CH 1/16W 150K	1	
R5212	ERJ2GEJ154	M.RESISTOR CH 1/16W 150K	1	
R5213	ERJ2GEJ103	M.RESISTOR CH 1/16W 10K	1	
R5214	ERJ2GEJ103	M.RESISTOR CH 1/16W 10K	1	
R5215	ERJ2GEJ103	M.RESISTOR CH 1/16W 10K	1	
R5216	ERJ2GEJ103	M.RESISTOR CH 1/16W 10K	1	
R5217	ERJ2GEJ104	M.RESISTOR CH 1/16W 100K	1	
R5218	ERJ2GEJ472	M.RESISTOR CH 1/16W 4.7K	1	
R5219	ERJ2GEJ104	M.RESISTOR CH 1/16W 100K	1	
R5220	ERJ2GEJ472	M.RESISTOR CH 1/16W 4.7K	1	
R5221	ERJ2GEJ333	M.RESISTOR CH 1/16W 33K	1	
R5222	ERJ2GEJ333	M.RESISTOR CH 1/16W 33K	1	
R5223	ERJ2GEJ472	M.RESISTOR CH 1/16W 4.7K	1	
R5226	DOYAR0000007	M.RESISTOR CH 1/16W 0	1	

Ref.No.	Part No.	Part Name & Description	Pcs	Remarks
R5227	DOYAR0000007	M.RESISTOR CH 1/16W 0	1	
R9901	ERJ2GEJ152	M.RESISTOR CH 1/16W 1.5K	1	
R9902	ERJ2GEJ242	M.RESISTOR CH 1/16W 2.4K	1	
R9903	ERJ2GEJ362	M.RESISTOR CH 1/16W 3.6K	1	
R9904	ERJ2GEJ562	M.RESISTOR CH 1/16W 5.6K	1	
R9905	ERJ2GEJ123	M.RESISTOR CH 1/16W 12K	1	
R9907	ERJ2GEJ332	M.RESISTOR CH 1/16W 3.3K	1	
R9908	ERJ2RHD682X	M.RESISTOR CH 1/16W 6.8K	1	
R9909	ERJ2GEJ223	M.RESISTOR CH 1/16W 22K	1	
R9913	ERJ2GEJ512X	M.RESISTOR CH 1/16W 5.1K	1	
R9921	ERJ3GEY0R00	M.RESISTOR CH 1/10W 0	1	
R9924	ERJ3GEY0R00	M.RESISTOR CH 1/10W 0	1	
S9901	K0MZ26000001	SWITCH	1	
S9902	K0D112B00145	SWITCH	1	
S9904	K0G166A00005	SWITCH	1	
ZB9901	K3ZZ00200042	BATTERY HOLDER	1	
##	VEP58079A	FLASH P.C.B.	1	(RTL) E.S.D.
C8001	ECJ1VB0J105K	C.CAPACITOR CH 6.3V 1U	1	
C8004	F1K2J102A028	C.CAPACITOR 630V 1000P	1	
C8006	F1K2E4730005	C.CAPACITOR 250V 0.047U	1	
C8007	F1G1A104A012	C.CAPACITOR CH 10V 0.1U	1	
C8009	F1J1A106A024	C.CAPACITOR CH 10V 10U	1	
D8002	B0EDAT000002	DIODE	1	E.S.D.
△ F8001	ERBSE1R00U	FUSE 32V 1.0A	1	
△ F8002	K5H152200006	FUSE	1	
IC8001	C0ZB20001636	IC	1	E.S.D.
P8001	K1KY20AA0340	CONNECTOR 20P	1	
P8002	K4ZZ04000051	CONNECTOR 4P	1	
Q8001	B1JBLP000022	TRANSISTOR	1	E.S.D.
Q8009	B1DFCG000020	TRANSISTOR	1	E.S.D.
R8002	ERJ3GEYJ104	M.RESISTOR CH 1/10W 100K	1	
R8003	ERJ3GEYJ330	M.RESISTOR CH 1/10W 33	1	
R8004	DOYAR0000007	M.RESISTOR CH 1/16W 0	1	
R8006	ERJ8GEYJ105V	M.RESISTOR CH 1/8W 1M	1	
R8013	ERJ2RHD153X	M.RESISTOR CH 1/16W 15K	1	
R8021	ERJ2GEJ153	M.RESISTOR CH 1/16W 15K	1	
R8032	ERJ6RED105	M.RESISTOR CH 1/16W 1M	1	
R8033	ERJ6RED105	M.RESISTOR CH 1/16W 1M	1	
T8001	G5D1A0000066	TRANSFORMER	1	
T8002	G5F1A0000026	TRANSFORMER	1	
##	VEK0N77	CCD UNIT		E.S.D.
C3101	F1H1C105A097	C.CAPACITOR CH 16V 1U	1	
Q3101	UP05C8B00L	TRANSISTOR	1	E.S.D.
R3101	ERJ2GEJ470	M.RESISTOR CH 1/16W 47	1	
R3102	ERJ2GEJ222	M.RESISTOR CH 1/16W 2.2K	1	
R3107	ERJ2GEJ132	M.RESISTOR CH 1/16W 1.3K	1	
R3108	ERJ2GEJ560	M.RESISTOR CH 1/16W 56	1	
TH3101	D4CC11030026	THERMISTORS	1	

DMC-TZ7EB/EE/EF/EG/EP/GC/GJ/GN/SG, DMC-ZS3GD/GH/GK/GT/P/PC/PU

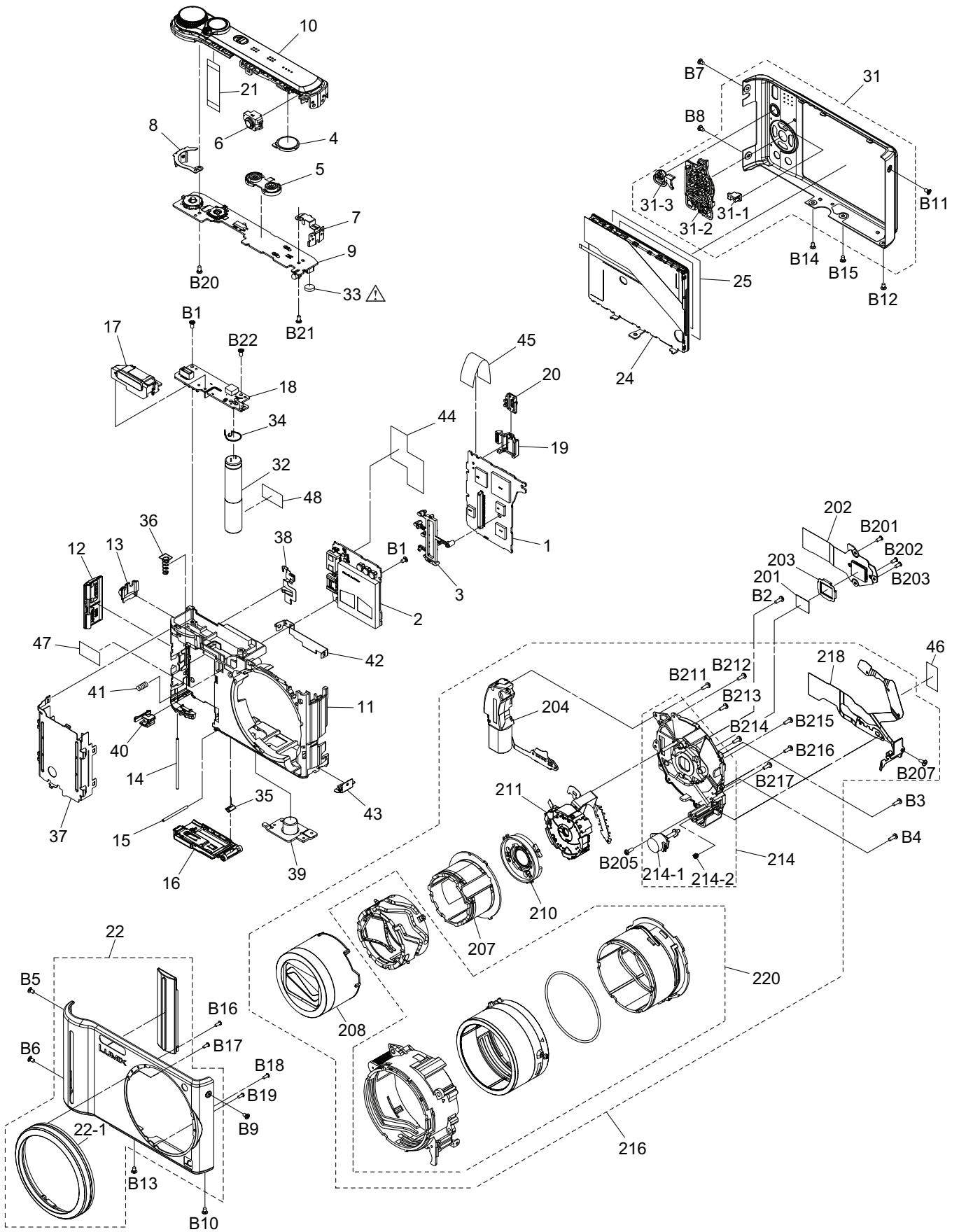
Ref.No.	Part No.	Part Name & Description	Pcs	Remarks	Ref.No.	Part No.	Part Name & Description	Pcs	Remarks
1	VEP56081C	MAIN P.C.B.	1	(RTL) E.S.D. EB,EF,EG,EP	B1	XQN16+BJ3FN	SCREW	1	
1	VEP56081A	MAIN P.C.B.	1	(RTL) E.S.D. EE,GC,GJ,GN, SG,GD,GH,GK,GT,P,PC,PU	B2	VHD2071	SCREW	1	
2	VEP51024A	SUB P.C.B.	1	(RTL) E.S.D.	B3	VHD2071	SCREW	1	
3	VGQ0C47	PCB SPACER	1		B4	VHD2071	SCREW	1	
4	L0AA01A00032	SPEAKER	1		B5	VHD2103	SCREW	1	(-A,-K,-R,-T)
5	LOCBAB000129	MICROPHONE U	1		B5	VHD2102	SCREW	1	(-S)
6	VGL1268	AF PANEL LIGHT	1		B6	VHD2103	SCREW	1	(-A,-K,-R,-T)
7	VMP9274	TOP PLATE L	1		B6	VHD2102	SCREW	1	(-S)
8	VMP9275	TOP PLATE R	1		B7	VHD2103	SCREW	1	(-A,-K,-R,-T)
9	VEP50038A	TOP OPERATION P.C.B.	1	(RTL) E.S.D.	B7	VHD2102	SCREW	1	(-S)
10	VYK3D72	TOP CASE UNIT	1	(DMC-TZ7)	B8	VHD2103	SCREW	1	(-A,-K,-R,-T)
10	VYK3D73	TOP CASE UNIT	1	(DMC-ZS3)	B8	VHD2102	SCREW	1	(-S)
11	VMP9279	FRAME	1		B9	VHD2103	SCREW	1	(-A,-K,-R,-T)
12	VKF4448	JACK DOOR	1	(-K)	B9	VHD2102	SCREW	1	(-S)
12	VKF4447	JACK DOOR	1	(-S)	B10	VHD2103	SCREW	1	(-A,-K,-R,-T)
12	VKF4450	JACK DOOR	1	(-T)	B10	VHD2102	SCREW	1	(-S)
12	VKF4449	JACK DOOR	1	(-A)	B11	VHD2103	SCREW	1	(-A,-K,-R,-T)
12	VKF4551	JACK DOOR	1	(-R)	B11	VHD2102	SCREW	1	(-S)
13	VKH0431	STRAP HOLDER	1		B12	VHD2103	SCREW	1	(-A,-K,-R,-T)
14	VMS7893	JACK DOOR SHAFT	1		B12	VHD2102	SCREW	1	(-S)
15	VMS7967	BATTERY DOOR SHAFT	1		B13	VHD2103	SCREW	1	(-A,-K,-R,-T)
16	VYK3D69	BATTERY DOOR ASSY	1	(-K)	B13	VHD2102	SCREW	1	(-S)
16	VYK3B82	BATTERY DOOR ASSY	1	(-S)	B14	VHD2103	SCREW	1	(-A,-K,-R,-T)
16	VYK3D71	BATTERY DOOR ASSY	1	(-T)	B14	VHD2102	SCREW	1	(-S)
16	VYK3D70	BATTERY DOOR ASSY	1	(-A)	B15	VHD2103	SCREW	1	(-A,-K,-R,-T)
16	VYK3G61	BATTERY DOOR ASSY	1	(-R)	B15	VHD2102	SCREW	1	(-S)
17	EFN-FSAJ5ZC	FLASH U	1		B16	VHD1924	SCREW	1	
18	VEP58079A	FLASH P.C.B.	1	(RTL) E.S.D.	B17	VHD1924	SCREW	1	
19	VGQ0C56	SLIDE GUIDE	1		B18	VHD1924	SCREW	1	
20	VML3984	SLIDE KNOB	1		B19	VHD1924	SCREW	1	
21	VWJ2080	FPC	1		B20	XQN16+BJ3FN	SCREW	1	
22	VYK3D60	FRONT CASE ASSY	1	(-K)	B21	XQN16+BJ3FN	SCREW	1	
22	VYK3B81	FRONT CASE ASSY	1	(-S)	B22	XQN16+BJ3FN	SCREW	1	
22	VYK3D62	FRONT CASE ASSY	1	(-T)					
22	VYK3D61	FRONT CASE ASSY	1	(-A)					
22	VYK3G57	FRONT CASE ASSY	1	(-R)					
22-1	VGQ0C44	LENS ORNAMENT	1						
24	VYK3D48	LCD ASSY	1		201	VMX3650	CCD CUSHION RUBBER	1	
25	VYK3D59	LCD PANEL ASSY	1		202	VEK0N77	CCD UNIT	1	
31	VYK3F09	REAR CASE ASSY	1	(-K)	203	VDL2318	OPTICAL FILTER	1	
31	VYK3F08	REAR CASE ASSY	1	(-S)	204	L6DA8BEC0004	ZOOM MOTOR UNIT	1	
31	VYK3F11	REAR CASE ASSY	1	(-T)	207	VDW1786	2nd/3rd DIRECT FRAME	1	
31	VYK3F10	REAR CASE ASSY	1	(-A)	208	VXP3172	1st LENS FRAME UNIT	1	
31	VYK3G59	REAR CASE ASSY	1	(-R)	210	VXP3178	2nd LENS FRAME UNIT	1	
31-1	VGL1293	REAR PANEL LIGHT	1		211	VXP3179	3rd LENS FRAME UNIT	1	
31-2	VGU0D99	CURSOR BUTTON	1		214	VXQ1710	MASTER FRANGE UNIT	1	
31-3	VGU0E16	ANIMATION BUTTON	1		214-1	L6HA86NC0001	FOCUS MOTOR UNIT	1	
32	F2A2F1010008	E.CAPACITOR CH 300V 100U	1	(C8003)	214-2	VMB4251	FOCUS SPRING	1	
▲ 33	ML-421S/ZTK	BUTTON BATTERY	1	(B9901)[ENERGY]	216	VXW1034	LENS UNIT	1	
34	VMB4252	EARTH SPRING	1		218	VEK0N75	LENS FPC	1	
35	VMB4150	BATTERY DOOR SPRING	1		220	VXP3250	FIX CAM FRAME U	1	
36	VMB4232	BATTERY SPRING	1						
37	VMP9277	BATTERY CASE	1		B201	VHD1871	SCREW	1	
38	VMP9375	EMC PLATE	1		B202	VHD1871	SCREW	1	
39	VGQ0C48	TRIPOD	1		B203	VHD1871	SCREW	1	
40	VML3983	BATTERY LOCK KNOB	1		B205	XQN14+CJ4FN	SCREW	1	
41	VMB3962	BATTERY LOCK SPRING	1		B207	VHD2109	SCREW	1	
42	VMP9278	EARTH PLATE	1		B211	XQN14+BJ4FNK	SCREW	1	
43	VMP9319	SCREW PLATE	1		B212	XQN14+BJ4FNK	SCREW	1	
44	VGQ0G03	DPR SHEET B	1		B213	XQN14+BJ4FNK	SCREW	1	
45	VGQ0F73	DPR SHEET A	1		B214	XQN14+BJ4FNK	SCREW	1	
46	VGQ0G29	LCD SPACER	1		B215	XQN14+BJ4FNK	SCREW	1	
47	VGQ0G36	SPACER SHEET C	1		B216	XQN14+BJ4FNK	SCREW	1	
48	VGQ0G73	CONDENCER CUSHION	1		B217	XQN14+BJ4FNK	SCREW	1	

DMC-TZ7EB/EE/EF/EG/EP/GC/GJ/GN/SG, DMC-ZS3GD/GH/GK/GT/P/PC/PU

Ref.No.	Part No.	Part Name & Description	Pcs	Remarks	Ref.No.	Part No.	Part Name & Description	Pcs	Remarks
301	VPF1318	CAMERA BAG	1		△ 315	VQT1Z93	OPERATING INSTRUCTIONS (ENGLISH)	1	EB
△ 302	DE-A66AA	BATTERY CHARGER	1	EB,EF,EG,EP,GN	△ 315	VQT1Z94	OPERATING INSTRUCTIONS (RUSSIAN)	1	EE
△ 302	DE-A66BA	BATTERY CHARGER	1	EE,GJ,GK,GH,GK	△ 315	VQT1Z95	OPERATING INSTRUCTIONS (UKRAINIAN)	1	EE
△ 302	DE-A66EA	BATTERY CHARGER	1	SG	△ 315	VQT1Z92	OPERATING INSTRUCTIONS (FRENCH)	1	EF
△ 302	DE-A66CA	BATTERY CHARGER	1	GT	△ 315	VQT2A01	OPERATING INSTRUCTIONS (ENGLISH)	1	GN
△ 302	DE-A65BA	BATTERY CHARGER	1	P,PC,PU	△ 315	VQT2A02	OPERATING INSTRUCTIONS (KOREAN)	1	GDK
△ 303	K2CT3CA00004	AC CORD W/PLUG	1	EB,GJ,GH	△ 315	VQT2A00	OPERATING INSTRUCTIONS (CHINESE(SIMPLIFIED))	1	GK
△ 303	K2CQ2CA00006	AC CORD W/PLUG	1	EE,EF,EG,EP,GJ	△ 315	VQT1Z99	OPERATING INSTRUCTIONS (CHINESE(TRADITIONAL))	1	GT
△ 303	K2CP2Y00001	AC CORD W/PLUG	1	GJK	△ 315	VQT1Z82	OPERATING INSTRUCTIONS (ENGLISH)	1	P,PC
△ 303	K2CJ2DA00008	AC CORD W/PLUG	1	GN	△ 315	VQT1Z83	OPERATING INSTRUCTIONS (SPANISH)	1	P
△ 303	K2CA2CA00019	AC CORD W/PLUG	1	SG	△ 315	VQT1Z84	OPERATING INSTRUCTIONS (CANADIAN FRENCH)	1	PC
△ 303	K2CR2CA00003	AC CORD W/PLUG	1	GDK	△ 316	VQT1Z86	BASIC O/I (GERMAN/FRENCH)	1	EG
△ 303	K2CA2CA00020	AC CORD W/PLUG	1	GK	△ 316	VQT1Z87	BASIC O/I (ITALIAN/DUTCH)	1	EG
△ 303	K2CA2CA00027	AC CORD W/PLUG	1	GT	△ 316	VQT1Z88	BASIC O/I (SPANISH/PORTUGUESE)	1	EG
304	----	BATTERY PACK	1	EB,EE,EF,EG,EP,GJ,GK,GN, SG,GD,GH,GT,PU	△ 316	VQT1Z89	BASIC O/I (SWEDISH/DANISH)	1	EP
304	----	BATTERY PACK	1	GK	△ 316	VQT1Z90	BASIC O/I (POLISH/CZECH)	1	EP
304	----	BATTERY PACK	1	P,PC	△ 316	VQT1Z91	BASIC O/I (HUNGARIAN/FINISH)	1	EP
305	K1HA14AD0001	USB CABLE	1		△ 316	VQT1Z96	BASIC O/I (ENGLISH/CHINESE(TRADITIONAL))	1	GC,GJ,SG,GH
306	K1HA14CD0001	AV CABLE	1		△ 316	VQT1Z97	BASIC O/I (ARABIC/PERSIAN)	1	GC
307	VFC4297	HAND STRAP	1		△ 316	VQT1Z85	BASIC O/I (SPANISH/PORTUGUESE)	1	PU
308	VFF0448-S	CD-ROM (SOFT)	1	EB,EE,EF,EG,EP,GJ,GK,GN, SG,GD,GH,GT,P,PC,PU	317	VQL1L48-6	OPERATING LABEL	1	PC
308	VFF0449-S	CD-ROM (SOFT)	1	GK	317	VQL1G34-6	OPERATING LABEL	1	GT
△ 309	VFF0470	CD-ROM (INSTRUCTION BOOK)	1	EG,EP,SG	318	VPF1294	BAG, POLYETHYLENE	1	
△ 309	VFF0471	CD-ROM (INSTRUCTION BOOK)	1	GC,GJ,GH					
△ 309	VFF0473	CD-ROM (INSTRUCTION BOOK)	1	PU					
310	YGQ0E45	BATTERY CARRYING CASE	1						
311	VPK3822	PACKING CASE	1	EBK,EEK,EFK,EGK,EPK,GCK, GJK,GNK,SGK					
311	VPK3817	PACKING CASE	1	EBS,EES,EGS,EPS,GCS,GNS, SGS					
311	VPK3829	PACKING CASE	1	EBT,EFT,EGT,EPT,GCT,SGT					
311	VPK3826	PACKING CASE	1	EEA,EGA,EPA					
311	VPK3876	PACKING CASE	1	EBR,EFR,EGR,EPR					
311	VPK3823	PACKING CASE	1	GDK,GHK,GTK,PUK					
311	VPK3818	PACKING CASE	1	GHS,GTS,PUS					
311	VPK3839	PACKING CASE	1	GHT					
311	VPK3824	PACKING CASE	1	GKK					
311	VPK3819	PACKING CASE	1	GKS					
311	VPK3830	PACKING CASE	1	GKT					
311	VPK3825	PACKING CASE	1	PA,PCA					
311	VPK3821	PACKING CASE	1	PK,PCK					
311	VPK3816	PACKING CASE	1	PS,PCS					
311	VPK3886	PACKING CASE	1	PR					
311	VPK3827	PACKING CASE	1	PUA					
312	VPN6666	PAD	1	EB,GJ,GH					
312	VPN6664	PAD	1	EE,EF,EG,EP,GJ,GN,SG, GD,GK,GT,PU					
313	VPN6809	CUSHION	1						
314	VQT1Z74	O/I SOFTWARE (ENGLISH)	1	EB,GN					
314	VQT1Z75	O/I SOFTWARE (RUSSIAN/UKRAINIAN)	1	EE					
314	VQT1Z73	O/I SOFTWARE (FRENCH)	1	EF					
314	VQT1Z71	O/I SOFTWARE (GERMAN/ITALIAN/FRENCH/ DUTCH/SPANISH/ PORTUGUESE)	1	EG					
314	VQT1Z72	O/I SOFTWARE (FINNISH/SWEDISH/DANISH/ POLISH/CZECH/HUNGARIAN)	1	EP					
314	VQT1Z76	O/I SOFTWARE (ENGLISH/ CHINESE(TRADITIONAL)/ ARABIC/PERSIAN)	1	GC,GJ,SG,GH					
314	VQT1Z80	O/I SOFTWARE (KOREAN)	1	GDK					
314	VQT1Z79	O/I SOFTWARE (CHINESE(SIMPLIFIED))	1	GK					
314	VQT1Z78	O/I SOFTWARE (CHINESE(TRADITIONAL))	1	GT					
314	VQT1Z69	O/I SOFTWARE (ENGLISH/CANADIAN FRENCH)	1	P,PC					
314	VQT1Z70	O/I SOFTWARE (SPANISH/PORTUGUESE)	1	PU					

# S7. Exploded View

## S7.1. Frame and Casing Section



## S7.2. Packing Parts and Accessories Section

