


S6. Replacement Parts List

- Note:
1. * Be sure to make your orders of replacement parts according to this list.
 2. **IMPORTANT SAFETY NOTICE**
Components identified with the mark  have the special characteristics for safety.
When replacing any of these components, use only the same type.
 3. Unless otherwise specified,
All resistors are in OHMS, K=1,000 OHMS. All capacitors are in MICRO-FARADS (uf), P=uuF.
 4. The marking (RTL) indicates the retention time is limited for this item. After the discontinuation of this assembly in production, it will no longer be available.
 5. Supply of CD-ROM, in accordance with license protection, is allowable as replacement parts only for customers who accidentally damaged or lost their own.

E.S.D. standards for Electrostatically Sensitive Devices, refer to PREVENTION OF ELECTROSTATIC DISCHARGE (ESD) TO ELECTROSTATICALLY SENSITIVE (ES) DEVICES section.

Definition of Parts supplier:

1. Parts marked with [ENERGY] in the remarks column are supplied from Panasonic Corporation Energy Company.
2. Parts marked with [SPC] in the remarks column are supplied from AVC-CSC-SPC. Others are supplied from PAVCSG.

DMC-TZ20EB-S

Ref.No.	Part No.	Part Name & Description	Pcs	Remarks	Ref.No.	Part No.	Part Name & Description	Pcs	Remarks
1	VEP56124B	MAIN P.C.B.	1	(RTL) E.S.D. EB,EF,EG,EP	47	VGK3732	SIDE ORNAMENT R	1	
1	VEP56124A	MAIN P.C.B.	1	(RTL) E.S.D. EE,GC,GN,SG, GD,GH,GT,P,PC,PU	48	VYK4770	REAR CASE UNIT	1	(-S) [PAVCSG]
1	VEP56124C	MAIN P.C.B.	1	(RTL) E.S.D. GK	48	VYK4771	REAR CASE UNIT	1	(-K) [PAVCSG]
2	N5HZ20000089	GPS MODULE	1	EB,EE,EF,EG,EP,GC,GN,SG, GD,GH,GT,P,PC,PU	48	VYK4775	REAR CASE UNIT	1	(-T) [PAVCSG]
3	VMP9905	MAIN HEAT RADI PLATE	1	[PAVCSG]	48	VYK4774	REAR CASE UNIT	1	(-R) [PAVCSG]
4	L0AA01A00032	SPEAKER	1		48	VYK4772	REAR CASE UNIT	1	(-A) [PAVCSG]
5	L0CBAA000015	MICROPHONE UNITS	1		48	VYK4773	REAR CASE UNIT	1	(-N) [PAVCSG]
6	VGL1268	AF PANEL LIGHT	1		48-1	VGU0H73	CURSOR BUTTON	1	[PAVCSG]
7	VGQ0S26	FRASH SPACER	1		48-2	VGU0H72	MENU BUTTON	1	[PAVCSG]
8	VGQ0U66	TOP INSULATION TAPE	1		48-3	VGU0H74	SLIDE KNOB	1	[PAVCSG]
9	VEP50080A	TOP OPERATION P.C.B	1	(RTL) E.S.D. EB,EE,EF,EG, EP,GC,GN,SG,GD,GH,GT, P,PC,PU	48-4	VGQ0X09	PROTECTION SHEET	1	
9	VEP50080C	TOP OPERATION P.C.B	1	(RTL) E.S.D. GK	56	VGQ0S28	PCB SPACER	1	[PAVCSG]
10	VYK4L73	TOP CASE ASS'Y	1	EB,EE,EF,EG,EP,GC,GN,SG	57	VMP9904	FRONT HEAT RADI PLATE	1	[PAVCSG]
10	VYK4L74	TOP CASE ASS'Y	1	GD,GH,GT,P,PC,PU	60	VGQ0V68	GRAPHITE SHEET	1	[PAVCSG]
10	VYK4L75	TOP CASE ASS'Y	1	GK	61	VGQ0W96	CONNECTOR SHEET	1	
11	VMP9894	FRAME	1	[PAVCSG]	62	VGQ0X07	BL SHEET	1	
12	VKF4895	JACK DOOR	1	[PAVCSG]	63	VGQ0X10	ORNAMENT SHEET	1	
13	ML-421S/DN	BUTTON BATTERY	1	(B9901) [ENERGY]	64	VGQ0X13	MIC FPC SHEET	1	
14	VMS8146	JACK DOOR SHAFT	1	[PAVCSG]	201	VEK0R67	CMOS UNIT	1	
15	VMS7863	BATTERY DOOR SHAFT	1	[PAVCSG]	202	VXP3523	1ST LENS FRAME UNIT	1	
16	VYK4T90	BATTERY DOOR ASS'Y	1	(-S) [PAVCSG]	203	VXP3525	1ST DIRECT FRAME	1	
16	VYK4T91	BATTERY DOOR ASS'Y	1	(-K) [PAVCSG]	204	VDW2175	TWO SIDE CAM FRAME	1	
16	VYK4T95	BATTERY DOOR ASS'Y	1	(-T) [PAVCSG]	205	VXP3526	2ND LENS FRAME UNIT	1	
16	VYK4T94	BATTERY DOOR ASS'Y	1	(-R) [PAVCSG]	206	VXP3527	3RD LENS FRAME UNIT	1	
16	VYK4T92	BATTERY DOOR ASS'Y	1	(-A) [PAVCSG]	207	VDW2179	2ND/3RD DIRECT FRAME	1	
16	VYK4T93	BATTERY DOOR ASS'Y	1	(-N) [PAVCSG]	210	VXQ1999	FIX CAM FRAME UNIT	1	
17	VEK0R27	FLASH U	1		211	VDW2183	ROTARY FRAME	1	
18	VEP58148A	FLASH P.C.B.	1	(RTL) E.S.D.	212	VXQ2081	MASTER FRANGE UNIT	1	[PAVCSG]
19	VMT2156	THERMAL TAPE	1	[PAVCSG]	212-1	VXP3530	4TH LENS FRAME UNIT	1	[PAVCSG]
21	VEP50079A	GYRO P.C.B.	1	(RTL) E.S.D.[PAVCSG]	212-2	VMB4251	FOCUS SPRING	1	[PAVCSG]
22	VYK4T40	FRONT CASE ASS'Y(1)	1	EB-S,EE-S,EG-S,EP-S,GC-S, GN-S,SG-S,GH-S,GK-S, GT-S,PU-S [PAVCSG]	212-3	VXP3531	5TH LENS FRAME UNIT	1	[PAVCSG]
22	VYK4T41	FRONT CASE ASS'Y(1)	1	EB-K,EE-K,EF-K,EG-K,EP-K, GC-K,GN-K,SG-K,GD-K, GH-K,GK-K,GT-K,PC-K,PU-K [PAVCSG]	212-4	L6HAYYYC0036	STEPPING MOTORS	1	[PAVCSG]
22	VYK4T45	FRONT CASE ASS'Y(1)	1	EE-T,EF-T,EG-T,EP-T,GC-T, GN-T,GK-T,GT-T [PAVCSG]	212-5	VMB4448	5TH SPRING	1	[PAVCSG]
22	VYK4T44	FRONT CASE ASS'Y(1)	1	EB-R,EE-R,EF-R,EG-R,EP-R, GC-R,GN-R,SG-R,GK-R, PC-R,PU-R [PAVCSG]	212-6	VDW2224	FOCUS COVER	1	[PAVCSG]
22	VYK4T42	FRONT CASE ASS'Y(1)	1	EB-A,EE-A,EG-A,EP-A,GN-A, PC-A [PAVCSG]	213	L6DAYYYC0002	ZOOM MOTOR UNIT	1	[PAVCSG]
22	VYK4T43	FRONT CASE ASS'Y(1)	1	SG-N,GK-N [PAVCSG]	214	VEK0R13	LENS FPC	1	[PAVCSG]
22	VYK4T46	FRONT CASE ASS'Y(1)	1	P-S [PAVCSG]	214-1	B3NBA0000018	PHOTO SENSOR	1	[PAVCSG]
22	VYK4T47	FRONT CASE ASS'Y(1)	1	P-K [PAVCSG]	214-2	B3NBA0000018	PHOTO SENSOR	1	[PAVCSG]
22	VYK4T51	FRONT CASE ASS'Y(1)	1	P-T [PAVCSG]	214-3	K1MY10BA0454	CONNECTOR(10P)	1	[PAVCSG]
22	VYK4T50	FRONT CASE ASS'Y(1)	1	P-R [PAVCSG]	214-4	K1MY24BA0454	CONNECTOR(24P)	1	[PAVCSG]
22	VYK4T48	FRONT CASE ASS'Y(1)	1	P-A [PAVCSG]	216	VXW1201	LENS UNIT (W/O CMOS)	1	
22	VYK4T49	FRONT CASE ASS'Y(1)	1	P-N [PAVCSG]	B1	VHD2071	SCREW	1	
22-1	VGQ0S21	LENS ORNAMENT	1	[PAVCSG]	B2	VHD2071	SCREW	1	
23	VEP51029A	SD CARD P.C.B.	1	(RTL) E.S.D.[PAVCSG]	B3	VHD2071	SCREW	1	
24	VYK4U14	LCD PANEL ASS'Y (1)	1		B4	VHD2081	SCREW	1	
24-1	VYK5C81	TOUCH PANEL U	1		B5	VHD2081	SCREW	1	
25	VMP9976	GPS EARTH PLATE	1	[PAVCSG]	B6	VHD1909	SCREW	1	
26	VWJ2240	SD MAIN JOINT FPC	1	[PAVCSG]	B7	VHD1909	SCREW	1	
27	VYK4U16	FRAME PLATE ASS'Y	1		B8	VHD1909	SCREW	1	
29	VMB4507	BATTERY LOCK SPRING	1	[PAVCSG]	B9	XQN14+BJ35FN	SCREW	1	
30	VGQ0L97	BATTERY LOCK KNOB	1	[PAVCSG]	B10	XQN14+BJ35FN	SCREW	1	
32	VMP9912	EARTH PLATE L	1		B13	VHD1924-A	SCREW	1	[PAVCSG]
33	VGQ0J81	TROPID	1	[PAVCSG]	B14	VHD1924-A	SCREW	1	[PAVCSG]
34	VMB4462	EARTH SPRING	1	(ET8001)	B15	VHD1924-A	SCREW	1	[PAVCSG]
35	VMB4143	BATTERY DOOR SPRING	1	[PAVCSG]	B16	VHD1924-A	SCREW	1	[PAVCSG]
36	VMB4305	BATTERY OUT SPRING	1	[PAVCSG]	B17	VHD2194	SCREW	1	
37	VMP9896	BATTERY CASE	1	[PAVCSG]	B18	VHD2194	SCREW	1	
38	VWJ2241	GYRO FPC	1	[PAVCSG]	B19	VHD2194	SCREW	1	
39	F2A2F9500007	CAPACITOR	1	(C8003)	B20	VHD2194	SCREW	1	
41	VGQ0P04	FPC SHEET	1	[PAVCSG]	B21	VHD2207	SCREW	1	
42	VGQ0P04	FPC SHEET	1	[PAVCSG]	B26	VHD2207	SCREW	1	
45	VGQ0S27	CONDENSER SPACER	1		B27	VHD2207	SCREW	1	
46	VGK3731	SIDE ORNAMENT L	1		B28	VHD2081	SCREW	1	[PAVCSG]
					B201	VHD1871	SCREW	1	
					B202	VHD1871	SCREW	1	
					B203	VHD1871	SCREW	1	
					B204	VHD2296	SCREW	1	
					B205	VHD2296	SCREW	1	
					B206	VHD2296	SCREW	1	
					B207	VHD2109	SCREW	1	[PAVCSG]
					B208	VHD2296	SCREW	1	[PAVCSG]
					B209	VHD2296	SCREW	1	[PAVCSG]
					B210	VHD2296	SCREW	1	[PAVCSG]
					B211	VHD2296	SCREW	1	
					B212	VHD2296	SCREW	1	[PAVCSG]

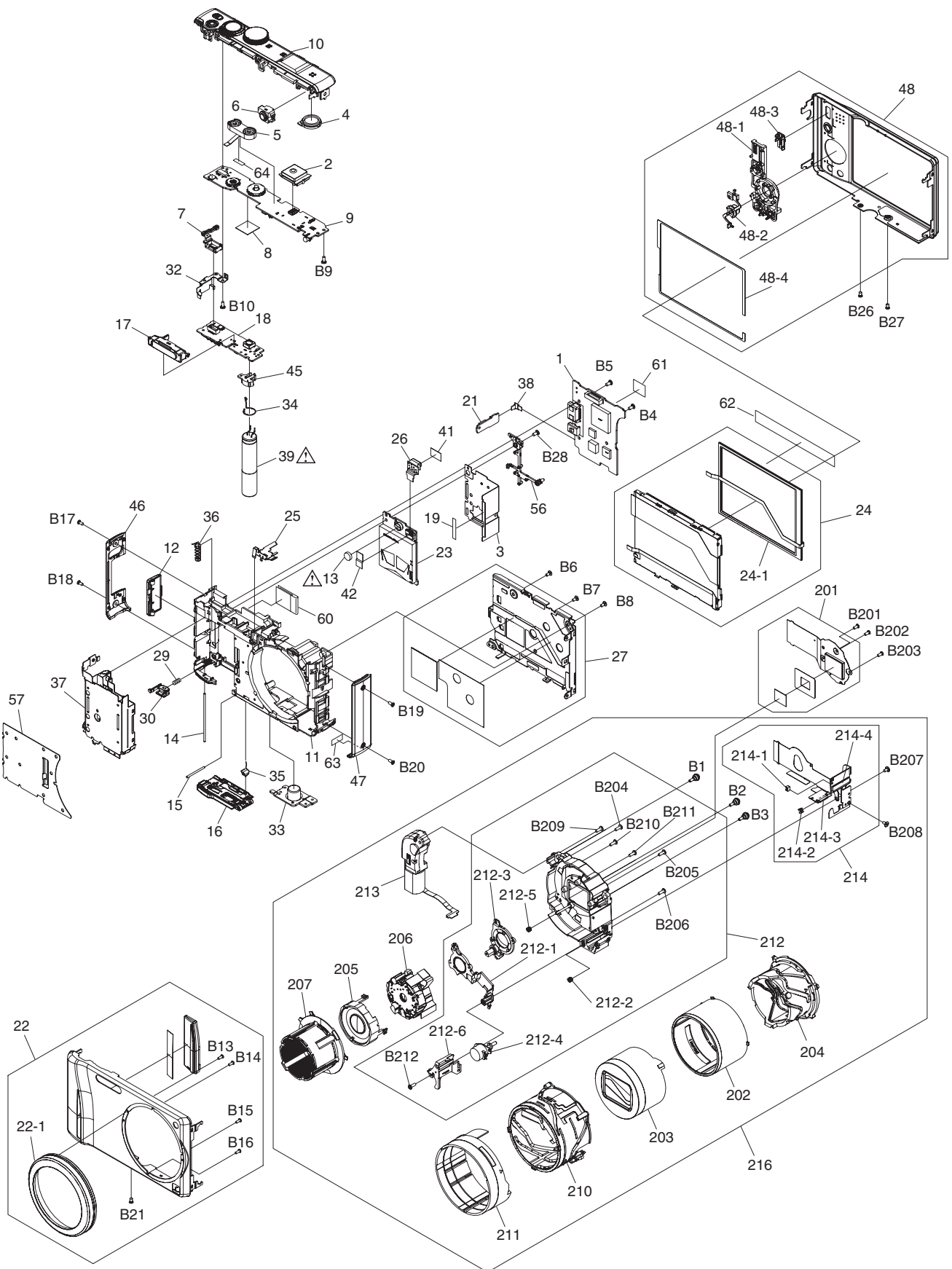
DMC-TZ20EB-S

Ref.No.	Part No.	Part Name & Description	Pcs	Remarks
301	VPF1137	CAMERA BAG	1	EB,EE,EF,EG,EP,GC,GN,SG, GD,GH,GT,PU
302	VPK4924	PACKING CASE	1	EB-S,EE-S,EG-S,EP-S,GC-S, GN-S,SG-S
302	VPK4929	PACKING CASE	1	EB-K,EE-K,EF-K,EG-K,EP-K, GC-K,GN-K,SG-K
302	VPK4939	PACKING CASE	1	EB-R,EE-R,EF-R,EG-R,EP-R, GC-R,GN-R,SG-R
302	VPK4943	PACKING CASE	1	EB-A,EE-A,EG-A,EP-A,GN-A
302	VPK4933	PACKING CASE	1	EE-T,EF-T,EG-T,EP-T, GC-T,GN-T
302	VPK4947	PACKING CASE	1	SG-N
302	VPK4930	PACKING CASE	1	GD-K,GH-K,GT-K,PU-K
302	VPK4925	PACKING CASE	1	GH-S,GT-S,PU-S
302	VPK4926	PACKING CASE	1	GK-S
302	VPK4931	PACKING CASE	1	GK-K
302	VPK4936	PACKING CASE	1	GK-T
302	VPK4941	PACKING CASE	1	GK-R
302	VPK4949	PACKING CASE	1	GK-N
302	VPK4935	PACKING CASE	1	GT-T
302	VPK4940	PACKING CASE	1	PU-R
△ 303	K2CT39A00002	AC CORD	1	EB,GC,GH
△ 303	K2CQ29A00002	AC CORD	1	EE,EF,EG,EP,GC
△ 303	K2CJ29A00002	AC CORD	1	GN
△ 303	K2CA29A00023	AC CORD	1	SG
△ 303	K2CR29A00001	AC CORD	1	GD
△ 303	K2CA29Y00070	AC CORD	1	GK
△ 303	K2CA29A00021	AC CORD	1	GT
△ 304	-----	BATTERY	1	(NOT SUPPLIED)
305	VFF0766-S	CD-ROM	1	EG
		(SOFT/INSTRUCTION BOOK)		See "Notes"
305	VFF0767-S	CD-ROM	1	EE,SG
		(SOFT/INSTRUCTION BOOK)		See "Notes"
305	VFF0768-S	CD-ROM	1	GC,GN,GH,SG
		(SOFT/INSTRUCTION BOOK)		See "Notes"
305	VFF0769-S	CD-ROM	1	GD,GT
		(SOFT/INSTRUCTION BOOK)		See "Notes"
305	VFF0770-S	CD-ROM	1	GK
		(SOFT/INSTRUCTION BOOK)		See "Notes"
305	VFF0765-S	CD-ROM	1	PU
		(SOFT/INSTRUCTION BOOK)		See "Notes"
305	VFF0803-S	CD-ROM	1	EB,EF,EP
		(SOFT/INSTRUCTION BOOK)		See "Notes"
△ 306	DE-A66AA	BATTERY CHARGER	1	EB,EF,EG,EP,GN
△ 306	DE-A66BB	BATTERY CHARGER	1	EE,GC,GD,GH,GK
△ 306	DE-A66EA	BATTERY CHARGER	1	SG
△ 306	DE-A66CA	BATTERY CHARGER	1	GT
△ 306	DE-A66BA	BATTERY CHARGER	1	PU
△ 307	VQT3G81	BASIC O/I	1	EB (ENGLISH)
△ 307	VQT3G82	BASIC O/I	1	EE (RUSSIAN/UKRAINIAN)
△ 307	VQT3G80	BASIC O/I	1	EF (FRENCH)
△ 307	VQT3G73	BASIC O/I	1	EG (GERMAN/FRENCH)
△ 307	VQT3G74	BASIC O/I	1	EG (ITALIAN/DUTCH)
△ 307	VQT3G75	BASIC O/I	1	EG (SPANISH/PORTUGUESE)
△ 307	VQT3G76	BASIC O/I	1	EG (TURKISH)
△ 307	VQT3G77	BASIC O/I	1	EP (SWEDISH/DANISH)
△ 307	VQT3G78	BASIC O/I	1	EP (POLISH/CZECH)
△ 307	VQT3G79	BASIC O/I	1	EP (HUNGARIAN/FINNISH)
△ 307	VQT3G83	BASIC O/I	1	GC,SG,GH (ENGLISH/ CHINESE(TRADITIONAL))
△ 307	VQT3G84	BASIC O/I	1	GC (ARABIC/PERSIAN)
△ 307	VQT3M15	BASIC O/I	1	GC (VIETNAMESE)

Ref.No.	Part No.	Part Name & Description	Pcs	Remarks
△ 307	VQT3G87	BASIC O/I	1	GN (ENGLISH)
△ 307	VQT3G88	BASIC O/I	1	GD (KOREAN)
△ 307	VQT3G86	BASIC O/I	1	GK (CHINESE(SIMPLIFIED))
△ 307	VQT3G85	BASIC O/I	1	GT (CHINESE(TRADITIONAL))
△ 307	VQT3G72	BASIC O/I	1	PU (SPANISH/PORTUGUESE)
308	K1HY08Y0017	USB CABLE	1	EB,EE,EF,EG,EP,GC,GN,SG, GD,GH,GT,PU
309	K1HY08Y0018	AV CABLE	1	EB,EE,EF,EG,EP,GC,GN,SG, GD,GH,GT,PU
310	VFC4297	HAND STRAP	1	EB,EE,EF,EG,EP,GC,GN,SG, GD,GH,GT,PU
311	VGQ0C14	STYLUS PEN	1	EB,EE,EF,EG,EP,GC,GN,SG, GD,GH,GT,PU
312	VPN7189	CUSHION	1	EB,EE,EF,EG,EP,GC,GN,SG, GD,GH,GT,PU
313	VPF1230	POLYETHYLENE COVER	1	EB,EE,EF,EG,EP,GC,GN,SG, GD,GH,GT,PU
314	VQL2C68-1	OPERATING LABEL	1	GT
315	VQC8094	O/I SOFTWARE	1	EB,GN (ENGLISH)
315	VQC8095	O/I SOFTWARE	1	EE (RUSSIAN/UKRAINIAN)
315	VQC8093	O/I SOFTWARE	1	EF (FRENCH)
315	VQC8091	O/I SOFTWARE	1	EG (GERMAN/ITALIAN/FRENCH/ DUTCH/SPANISH/ PORTUGUESE/TURKISH)
315	VQC8092	O/I SOFTWARE	1	EP (FINNISH/SWEDISH/DANISH/ POLISH/CZECH/HUNGARIAN)
315	VQC8096	O/I SOFTWARE	1	GC,SG,GH (ENGLISH/ CHINESE(TRADITIONAL)/ ARABIC/PERSIAN)
315	VQC8099	O/I SOFTWARE	1	GD (KOREAN)
315	VQC8098	O/I SOFTWARE	1	GK (CHINESE(SIMPLIFIED))
315	VQC8097	O/I SOFTWARE	1	GT (CHINESE(TRADITIONAL))
315	VQC8090	O/I SOFTWARE	1	PU (SPANISH/PORTUGUESE)

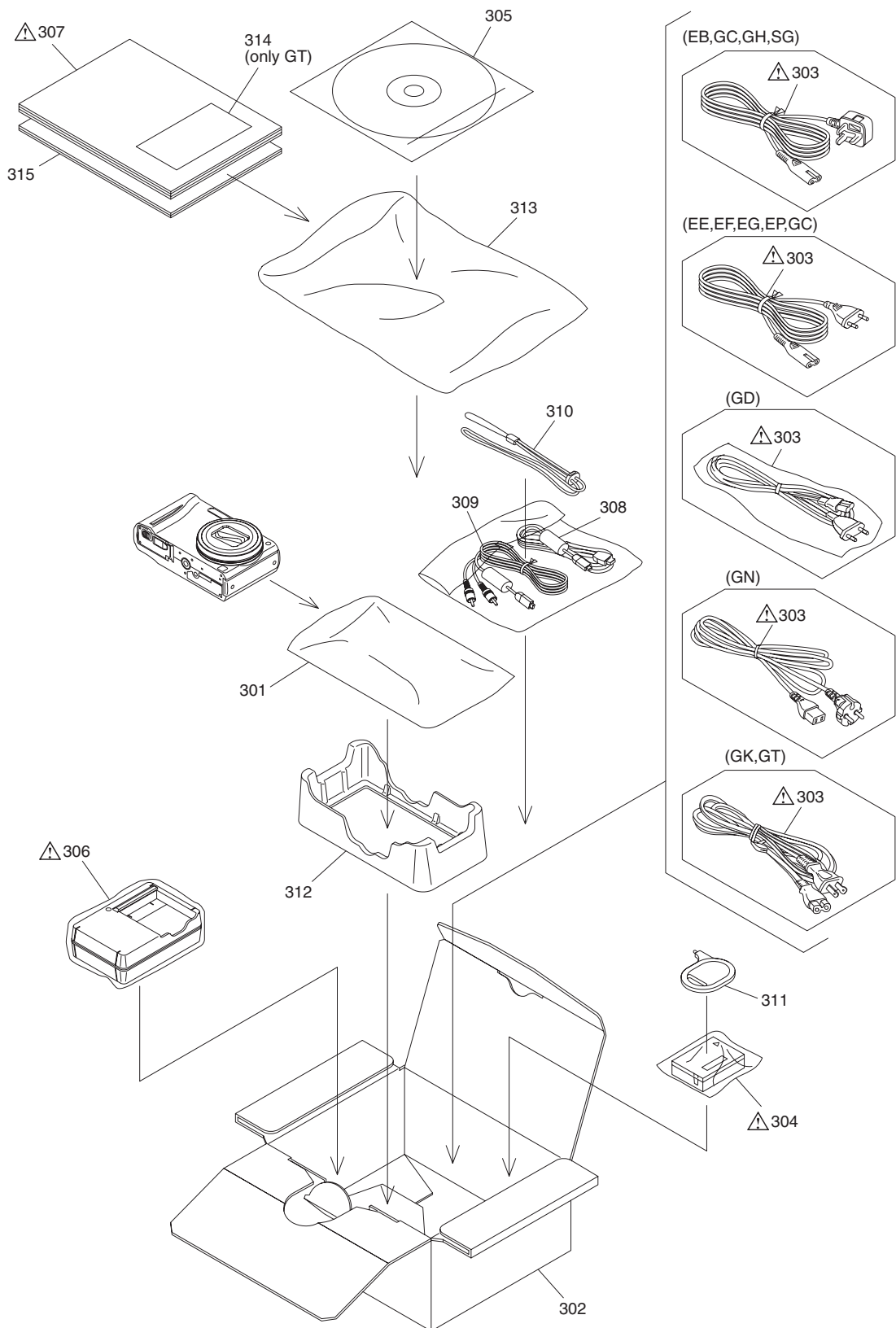
S7. Exploded View

S7.1. Frame and Casing Section



S7.2. Packing Parts and Accessories Section (1)

(except for P/PC)



S7.3. Packing Parts and Accessories Section (2)

(Only P,PC)

