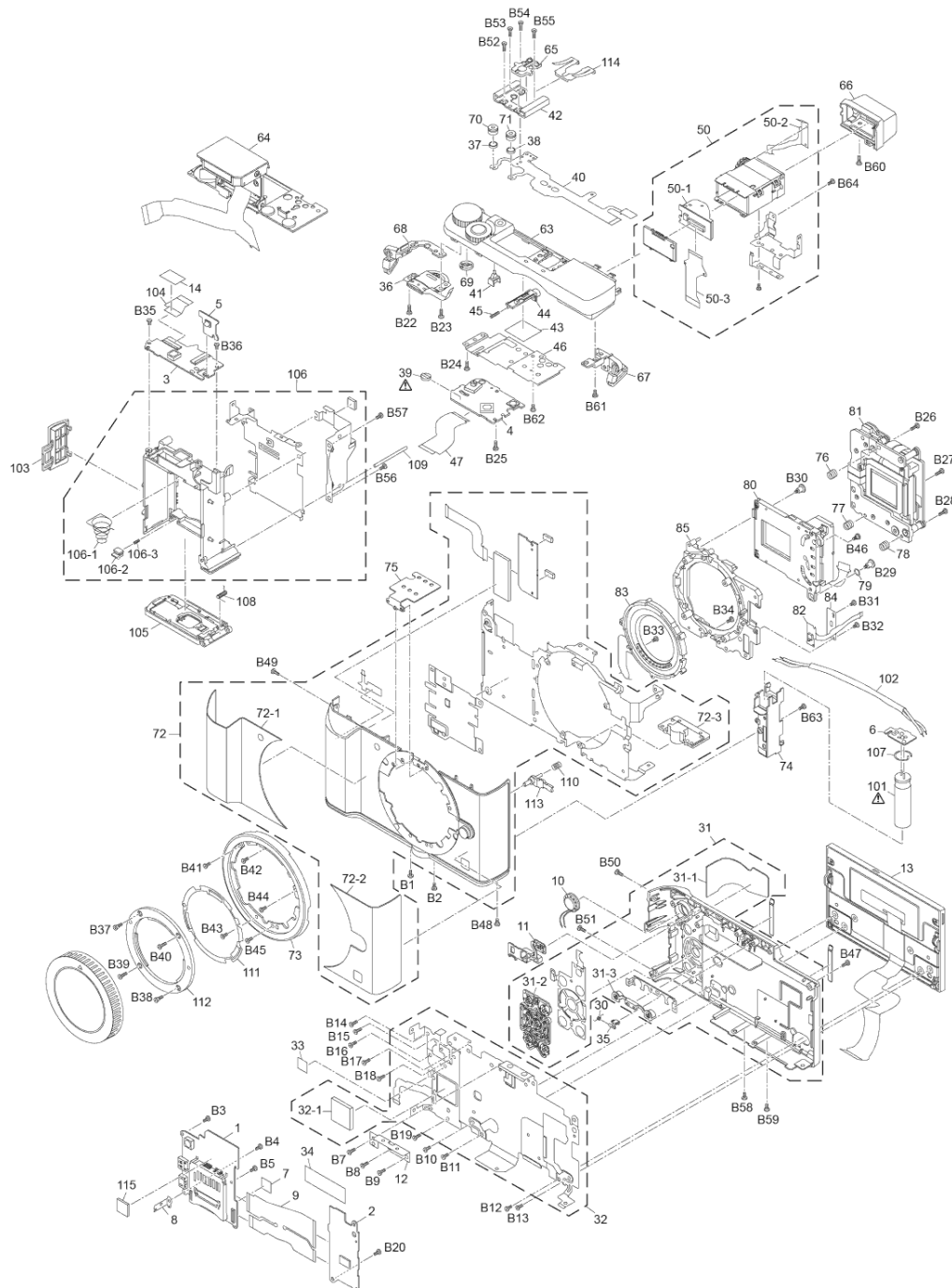
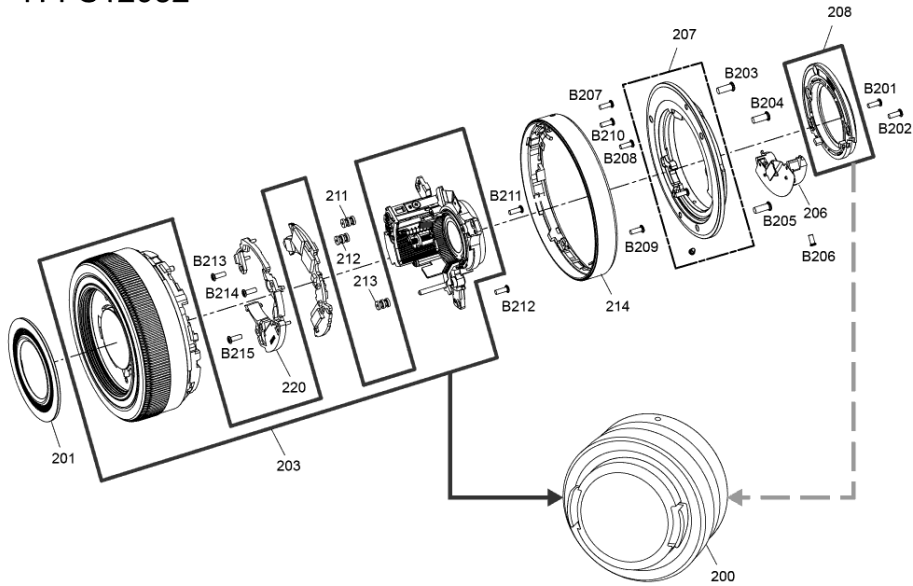


**Model No. : DMC-
GX80/GX80K/GX80W/GX80C/GX80H/GX85/GX85K/GX85W/GX85C Frame and
Casing Section**



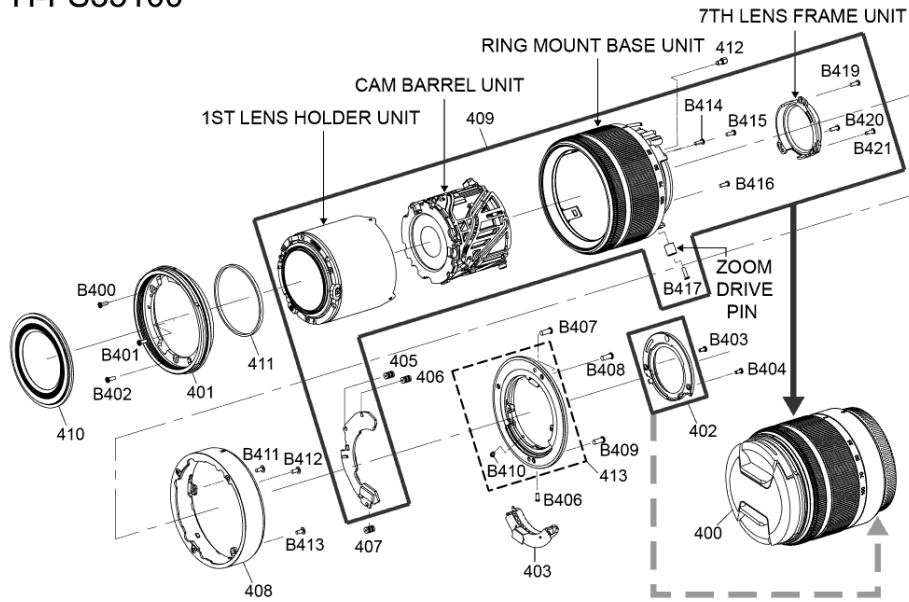
Model No. : DMC-
GX80/GX80K/GX80W/GX80C/GX80H/GX85/GX85K/GX85W/GX85C Camera Lens
Section (1) (H-FS12032)

H-FS12032



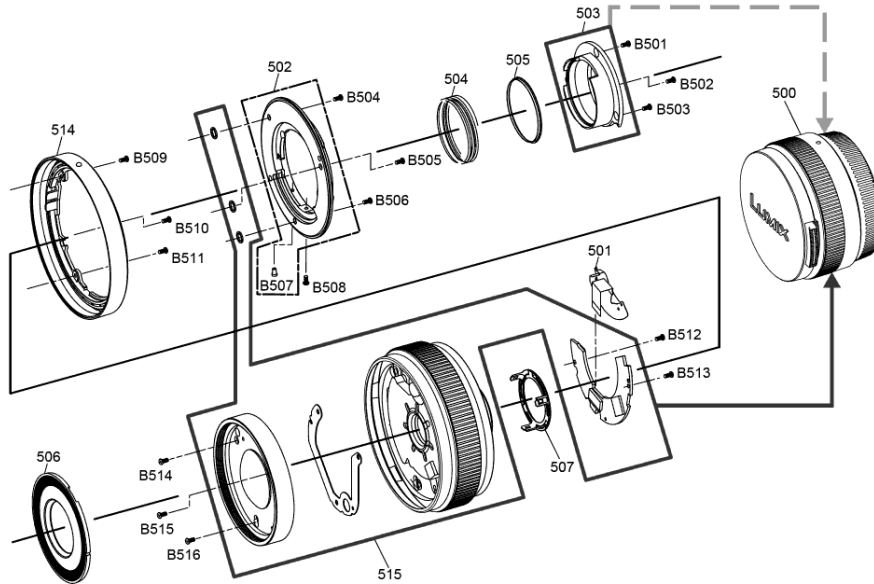
**Model No. : DMC-
GX80/GX80K/GX80W/GX80C/GX80H/GX85/GX85K/GX85W/GX85C Camera Lens
Section (2) (H-FS35100)**

H-FS35100

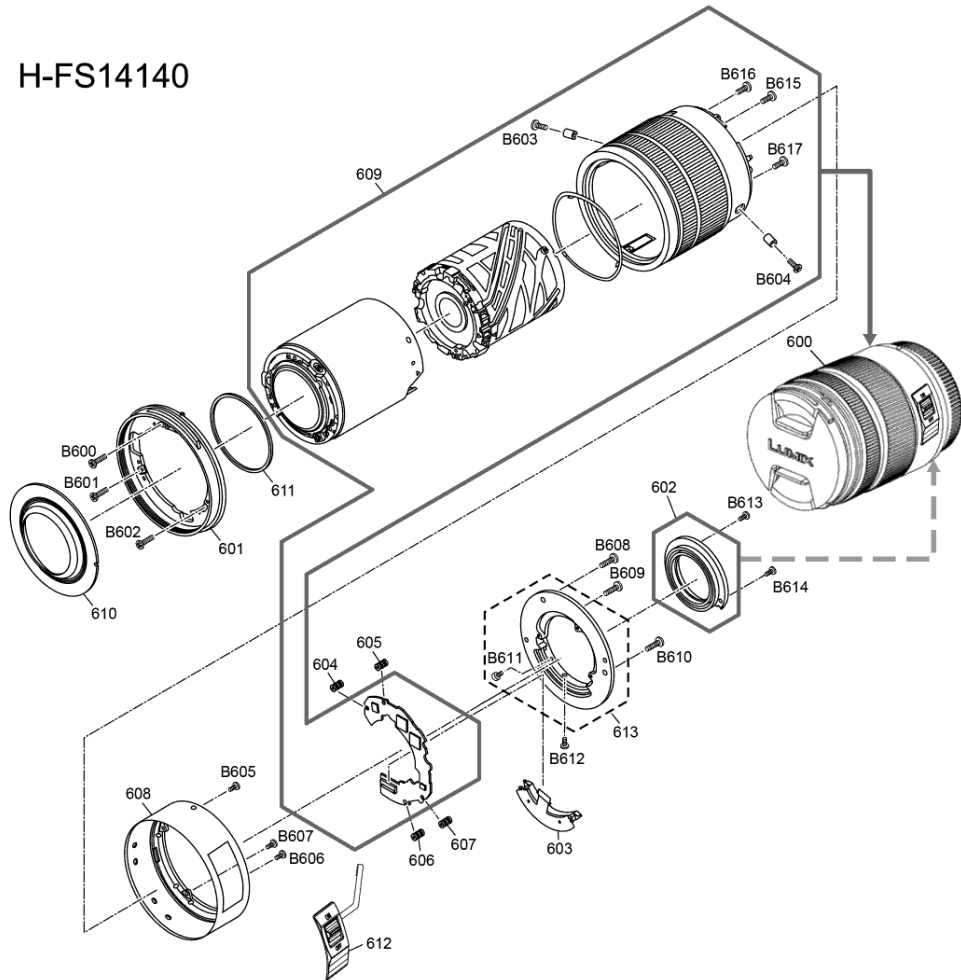


**Model No. : DMC-
GX80/GX80K/GX80W/GX80C/GX80H/GX85/GX85K/GX85W/GX85C Camera Lens
Section (3) (H-H020A)**

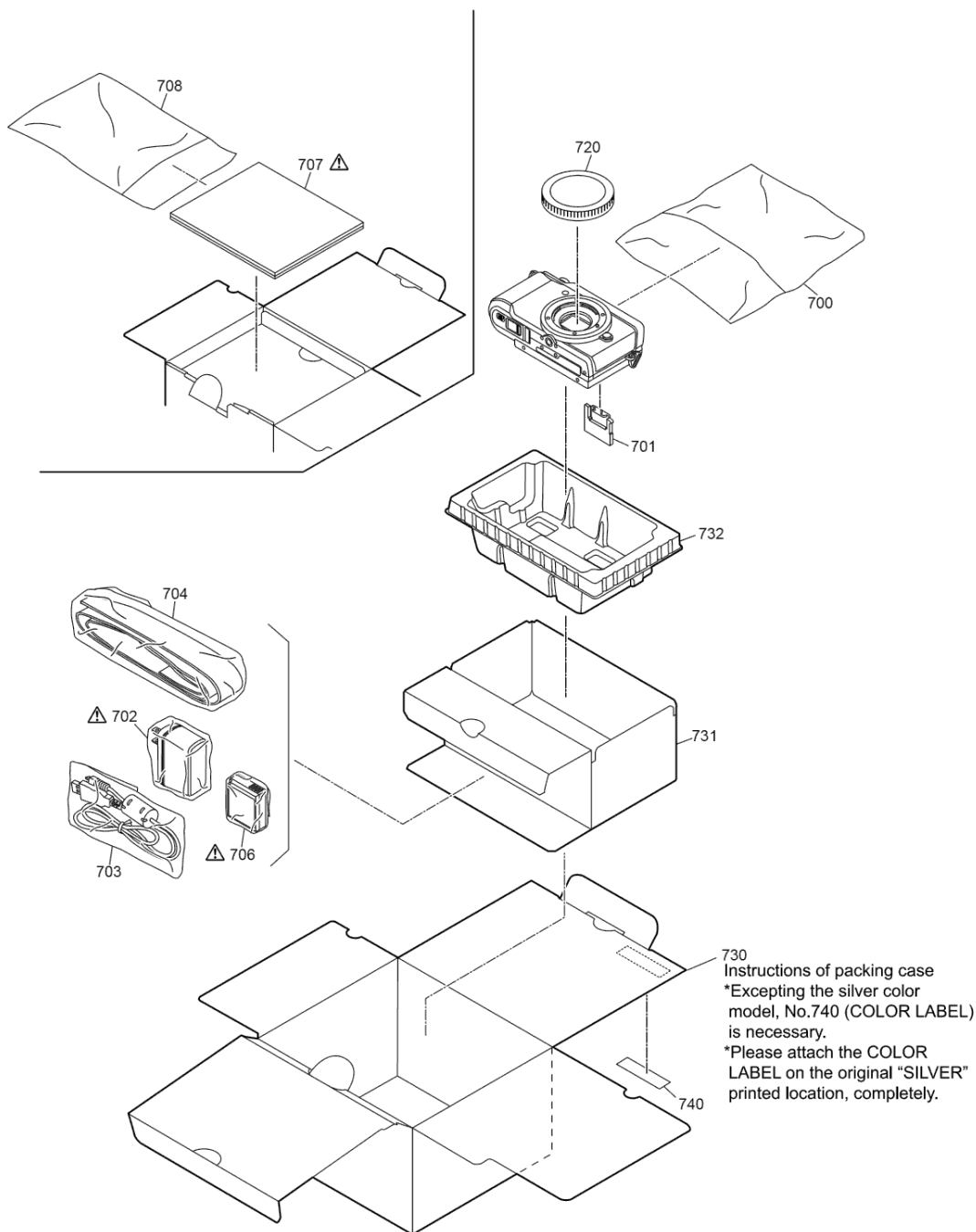
H-H020A



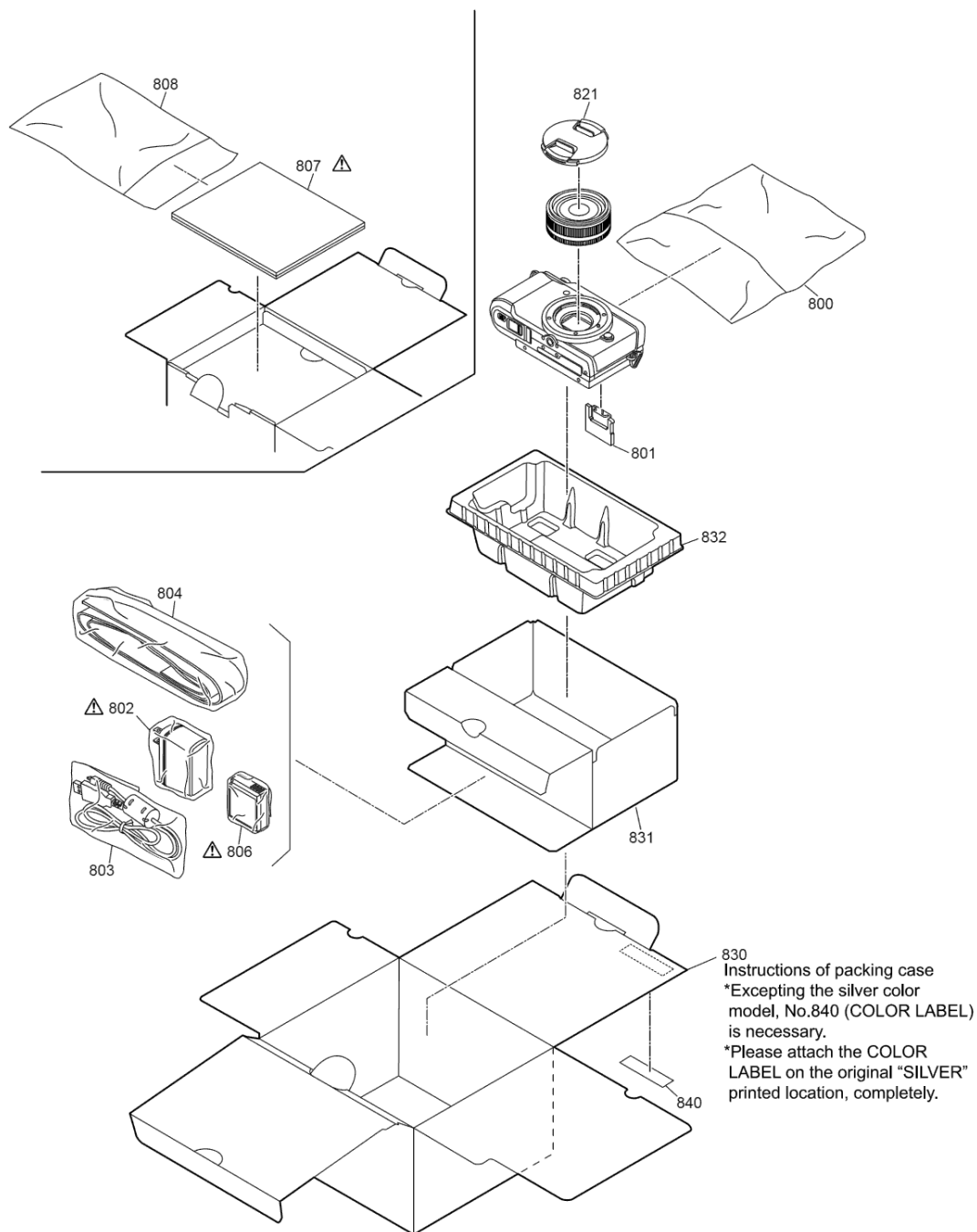
**Model No. : DMC-
GX80/GX80K/GX80W/GX80C/GX80H/GX85/GX85K/GX85W/GX85C Camera Lens
Section (4) (H-FS14140)**



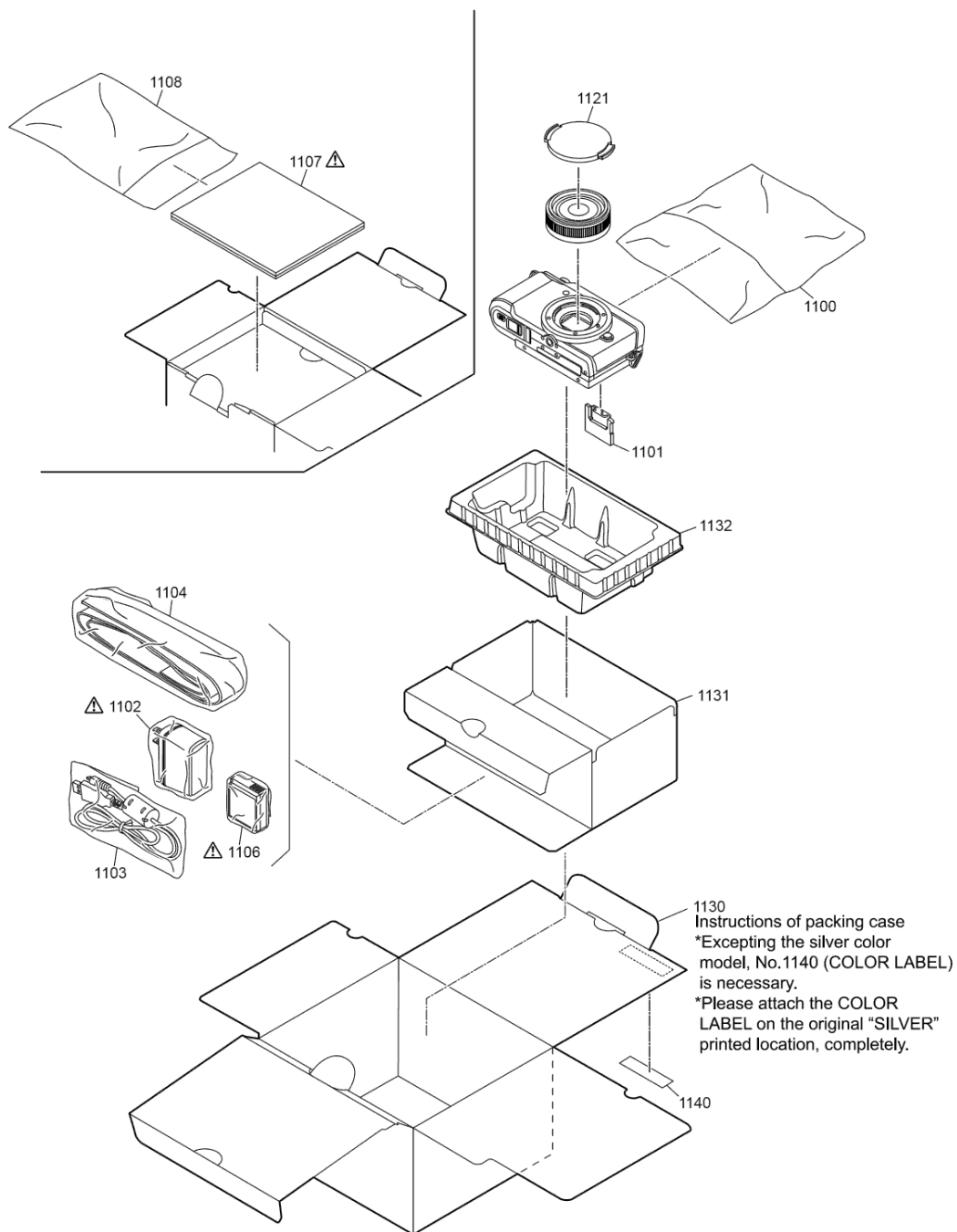
**Model No. : DMC-
GX80/GX80K/GX80W/GX80C/GX80H/GX85/GX85K/GX85W/GX85C Packing Parts
and Accessories Section (1) (GX80/85)**



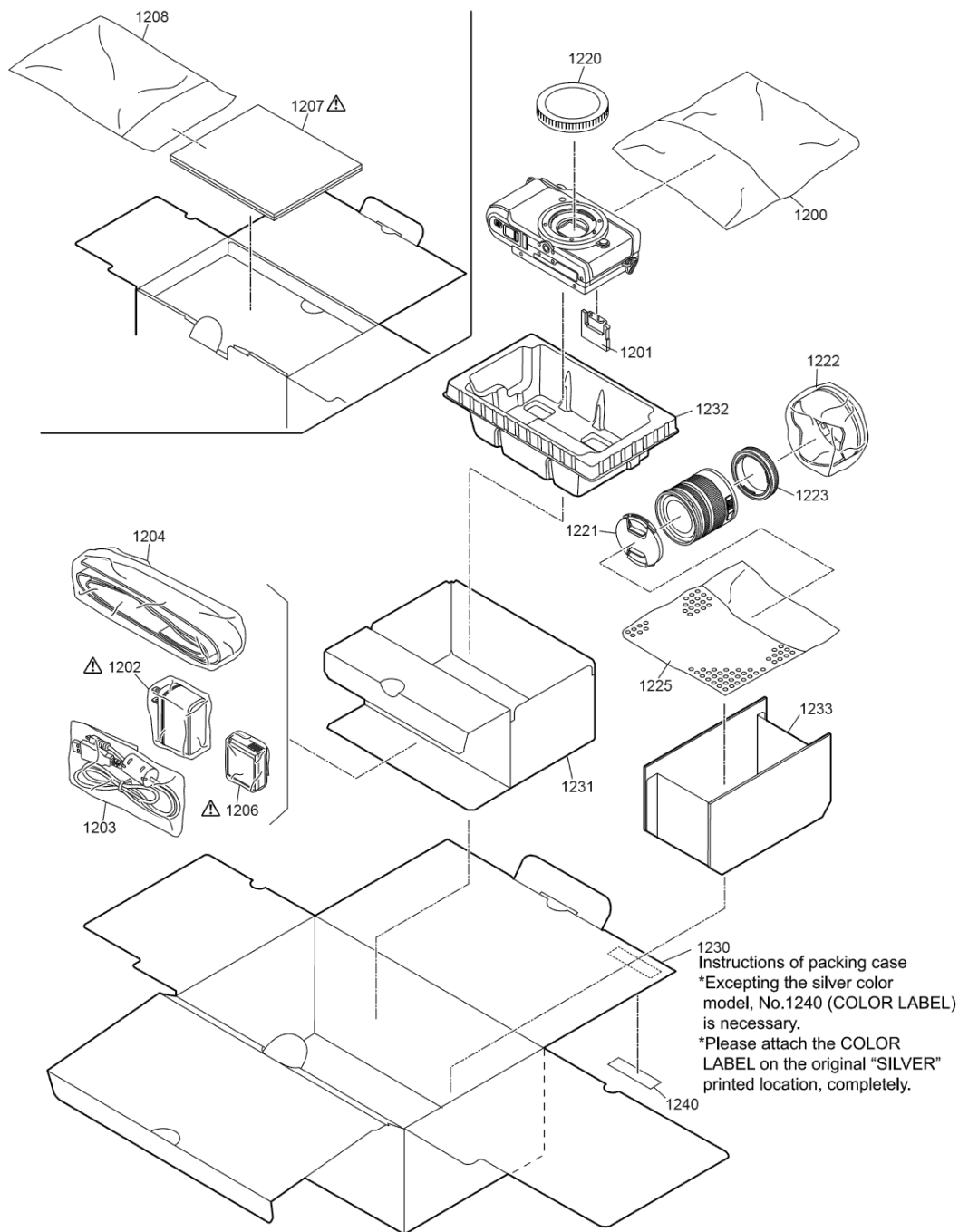
**Model No. : DMC-
GX80/GX80K/GX80W/GX80C/GX80H/GX85/GX85K/GX85W/GX85C Packing Parts
and Accessories Section (2) (GX80K/85K)**




**Model No. : DMC-
GX80/GX80K/GX80W/GX80C/GX80H/GX85/GX85K/GX85W/GX85C Packing Parts
and Accessories Section (4) (GX80C/85C)**




**Model No. : DMC-
GX80/GX80K/GX80W/GX80C/GX80H/GX85/GX85K/GX85W/GX85C Packing Parts
and Accessories Section (5) (GX80H)**



**Model No. : DMC-
GX80/GX80K/GX80W/GX80C/GX80H/GX85/GX85K/GX85W/GX85C Parts List**

Change	Safety	Ref. No.	Part No.	Part Name & Description	Q'ty	Remarks
		1	SEP0697AA	MAIN P.C.B.	1	E.S.D. EE, P, PP, GC, GH, GT, GK, GN, GD
		1	SEP0697AB	MAIN P.C.B.	1	E.S.D. EG, EC, EB, EF
		2	SEP0747AA	SUB P.C.B.	1	(RTL) E.S.D.
		3	SEP0698AA	BATTERY P.C.B.	1	(RTL)
		4	SEP0749AA	TOP P.C.B.	1	(RTL) E.S.D.
		5	SEP0750AA	AF LED P.C.B.	1	(RTL) E.S.D.
		6	SEP0775AA	FLASH P.C.B.	1	(RTL)
		7	VGQ0T64-A	FPC TAPE	1	
		8	SMP0291	BATTERY EARTH PLATE	1	
		9	STJ0183	MAIN-SUB FPC	1	
		10	L0AA01A00185	SPEAKER	1	
		11	SGU0335	AE LOCK BUTTON	1	(-K, -S)
		11	SGU0342	AE LOCK BUTTON	1	(-T)
		12	SMA0351	REAR PLATE ANGLE	1	
		13	SYK1407	LCD UNIT	1	(-K, -S)
		13	SYK1464	LCD UNIT	1	(-T)
		14	VGQ0T64-A	FPC TAPE	1	
		30	VMB4727	LCD LOCK SPRING	1	
		31	SYK1503	REAR CASE UNIT	1	(-K, -S)
		31	SYK1504	REAR CASE UNIT	1	(-T)
		31-1	SGK0303K	REAR GRIP SHEET	1	(-K, -S)
		31-1	SGK0303T	REAR GRIP SHEET	1	(-T)
		31-2	SGU0334	REAR OP BUTTON	1	(-K, -S)
		31-2	SGU0343	REAR OP BUTTON	1	(-T)
		31-3	SGU0336	LVF BUTTON	1	(-K, -S)
		31-3	SGU0341	LVF BUTTON	1	(-T)
		32	SYQ0798	REAR PLATE UNIT	1	
		32-1	VMT2075	HEAT RADIATION PAD	1	
		33	VGQ0T64-A	FPC TAPE	1	
		34	VGQ0W75	LCD FPC TAPE A	1	
		35	VGQ1N03-A	LCD LOCK PIECE	1	
		36	K0RC01100016	DIAL SW	1	
		37	LOCBAY000216	MIC UNIT	1	
		38	LOCBAY000216	MIC UNIT	1	
		39	ML-421S/DN	BUTTON BATTERY	1	(B7001)
		40	SEP0773AA	HOT SHOE FPC	1	
		41	SGL0022	POWER PANEL	1	
		42	SGQ0251-M	SHOE RAIL	1	(-K)
		42	SGQ0252-M	SHOE RAIL	1	(-S, -T)
		43	SGS0080	FLASH SHEET	1	
		44	SGU0339	FLASH LOCK LEVER	1	(-K, -S)
		44	SGU0340	FLASH LOCK LEVER	1	(-T)
		45	SMB0202	FLASH LOCK SPRING	1	
		46	SMP0280	TOP PLATE	1	
		47	STJ0185	MAIN-TOP FPC	1	
		50	SYK1191	LVF UNIT	1	
		50-1	L5EDDY00516	LVF MODULE	1	
		50-2	SEP0153AA	EYE SENSOR FPC	1	
		50-3	STJ0059	LVF FPC	1	
		63	SYK1410	TOP CASE UNIT	1	(-K)
		63	SYK1468	TOP CASE UNIT	1	(-S)
		63	SYK1469	TOP CASE UNIT	1	(-T)
		64	SYK1411	FLASH UNIT	1	(-K)
		64	SYK1562	FLASH UNIT	1	(-S)
		64	SYK1563	FLASH UNIT	1	(-T)
		65	SYQ0113	PIN BASE UNIT	1	
		66	SYQ0684	EYE CUP UNIT	1	
		67	SYQ0687	STRAP HOLDER L UNIT	1	
		68	SYQ0688	STRAP HOLDER R UNIT	1	
		69	VGQ1R49	MODE DIAL ROTOR	1	
		70	VMT2027	MIC DAMPER	1	
		71	VMT2027	MIC DAMPER	1	

**Model No. : DMC-
GX80/GX80K/GX80W/GX80C/GX80H/GX85/GX85K/GX85W/GX85C Parts List**

Change	Safety	Ref. No.	Part No.	Part Name & Description	Q'ty	Remarks
		72	SYK1405	FRONT CASE UNIT	1	(-K, -S)
		72	SYK1460	FRONT CASE UNIT	1	(-T)
		72-1	SGK0301K	FRONT GRIP SHEET R	1	(-K, -S)
		72-1	SGK0301T	FRONT GRIP SHEET R	1	(-T)
		72-2	SGK0302K	FRONT GRIP SHEET L	1	(-K, -S)
		72-2	SGK0302T	FRONT GRIP SHEET L	1	(-T)
		72-3	SMP0271	TRIPOD	1	
		73	SGK0300K	LENS LING	1	(-K, -S)
		73	SGK0300S	LENS LING	1	(-T)
		74	SGQ0714	CAPACITOR HOLDER	1	
		75	SMA0329	FRONT SHOE PLATE	1	
		76	SMB0206	ADJUST SPRING	1	
		77	SMB0206	ADJUST SPRING	1	
		78	SMB0206	ADJUST SPRING	1	
		79	SMG0100	DAMPER O RING	1	
		80	SXQ0635-S	SHUTTER UNIT	1	
		81	SXQ0673	IMAGE SENSOR UNIT	1	
		82	SEP0776AA	SLLK FPC UNIT	1	
		83	SEQ0138	LENS CAPACITOR	1	
		84	SMA0345	LENS RELEASE FPC PLATE	1	
		85	SXQ0672	MOUNT BASE UNIT	1	
		101	F2A2F8500015	E.CAPACITOR	1	(C8301)
		102	SEE0249	CONDENSER_WIRE	1	
		103	SKF0126K	JACK COVER	1	(-K, -S)
		103	SKF0126T	JACK COVER	1	(-T)
		104	STJ0184	MAIN-FLASH FPC	1	
		105	SYF0089	BATTERY DOOR UNIT	1	(-K, -S)
		105	SYF0090	BATTERY DOOR UNIT	1	(-T)
		106	SYK1506	FRAME UNIT	1	
		106-1	VMB4516	BATTERY OUT SPRING	1	
		106-2	SQU0069	BATTERY LOCK KNOB	1	
		106-3	VMB4304	BATTERY LOCK SPRING	1	
		107	VMB4517	CAPACITOR EARTH SPRING	1	
		108	VMB4767	BATTERY DOOR SPRING	1	
		109	VMS8262-A	BATTERY DOOR SHAFT	1	
		110	VMB4497	LENS LOCK PIN SPRING	1	
		111	VMC2063	MOUNT SPRING	1	
		112	VMD6652	MOUNT	1	
		113	VXA8935	LENS LOCK PIN UNIT	1	
		114	VMC2111	SHOE SPRING	1	
		115	VGQ1J71	SHEET	1	
		B1	VHD2337	SCREW	1	(-K, -S)
		B1	VHD2338	SCREW	1	(-T)
		B2	VHD2337	SCREW	1	(-K, -S)
		B2	VHD2338	SCREW	1	(-T)
		B3	VHD2457	SCREW	1	
		B4	VHD2457	SCREW	1	
		B5	VHD2457	SCREW	1	
		B7	VHD2300	SCREW	1	
		B8	VHD2300	SCREW	1	
		B9	VHD2300	SCREW	1	
		B10	VHD2480	SCREW	1	
		B11	VHD2480	SCREW	1	
		B12	VHD2480	SCREW	1	
		B13	VHD2480	SCREW	1	
		B14	VHD2515	SCREW	1	
		B15	VHD2515	SCREW	1	
		B16	VHD2515	SCREW	1	
		B17	VHD2515	SCREW	1	
		B18	VHD2515	SCREW	1	
		B19	VHD2515	SCREW	1	
		B20	VHD1681	SCREW	1	

**Model No. : DMC-
GX80/GX80K/GX80W/GX80C/GX80H/GX85/GX85K/GX85W/GX85C Parts List**

Change	Safety	Ref. No.	Part No.	Part Name & Description	Q'ty	Remarks
		B22	VHD1997	SCREW	1	
		B23	VHD1997	SCREW	1	
		B24	VHD1997	SCREW	1	
		B25	VHD1997	SCREW	1	
		B26	SHD0108	SCREW	1	
		B27	SHD0108	SCREW	1	
		B28	SHD0108	SCREW	1	
		B29	SHD0118	SCREW	1	
		B30	SHD0118	SCREW	1	
		B31	VHD2384	SCREW	1	
		B32	VHD2384	SCREW	1	
		B33	VHD2384	SCREW	1	
		B34	XQN16+BJ4FN	SCREW	1	
		B35	VHD2457	SCREW	1	
		B36	VHD2457	SCREW	1	
		B37	VHD2124	SCREW	1	
		B38	VHD2124	SCREW	1	
		B39	VHD2190	SCREW	1	
		B40	VHD2190	SCREW	1	
		B41	VHD2239	SCREW	1	
		B42	VHD2239	SCREW	1	
		B43	VHD2239	SCREW	1	
		B44	VHD2239	SCREW	1	
		B45	VHD2239	SCREW	1	
		B46	VHD2335	SCREW	1	
		B47	VHD2337	SCREW	1	(-K, -S)
		B47	VHD2338	SCREW	1	(-T)
		B48	VHD2337	SCREW	1	(-K, -S)
		B48	VHD2338	SCREW	1	(-T)
		B49	VHD2240	SCREW	1	(-K, -S)
		B49	VHD2239	SCREW	1	(-T)
		B50	VHD2240	SCREW	1	(-K, -S)
		B50	VHD2239	SCREW	1	(-T)
		B51	VHD2240	SCREW	1	(-K, -S)
		B51	VHD2239	SCREW	1	(-T)
		B52	VHD2291	SCREW	1	
		B53	VHD2291	SCREW	1	
		B54	VHD2291	SCREW	1	
		B55	VHD2291	SCREW	1	
		B56	VHD2416	SCREW	1	
		B57	VHD2416	SCREW	1	
		B58	VHD2431	SCREW	1	(-K, -S)
		B58	VHD2432	SCREW	1	(-T)
		B59	VHD2431	SCREW	1	(-K, -S)
		B59	VHD2432	SCREW	1	(-T)
		B60	VHD2300	SCREW	1	
		B61	VHD2515	SCREW	1	
		B62	VHD2515	SCREW	1	
		B63	VHD2457	SCREW	1	
		B64	VHD1681	SCREW	1	
		200	SXW0307	LENS UNIT	1	(80K, 85K, 80W, 85W) -K, -S
		200	SXW0308	LENS UNIT	1	(80K, 85K, 80W, 85W) -T
		201	VYC1134	DECORATION RING	1	(80K, 85K, 80W, 85W)
		203	-----	LENS MAIN UNIT	1	(80K, 85K, 80W, 85W) (NOT SUPPLIED)
		206	VEK0U87	MOUNT CONTACT UNIT	1	(80K, 85K, 80W, 85W)
		207	VDW2722	L MOUNT UNIT	1	(80K, 85K, 80W, 85W)
		208	-----	SHADING FRAME	1	(80K, 85K, 80W, 85W) (NOT SUPPLIED)
		211	VMG2117	FLOATING RUBBER	1	(80K, 85K, 80W, 85W)
		212	VMG2117	FLOATING RUBBER	1	(80K, 85K, 80W, 85W)
		213	VMG2117	FLOATING RUBBER	1	(80K, 85K, 80W, 85W)
		214	VXW1724	REAR FRAME UNIT	1	(80K, 85K, 80W, 85W) -K, -S
		214	VXW1725	REAR FRAME UNIT	1	(80K, 85K, 80W, 85W) -T

**Model No. : DMC-
GX80/GX80K/GX80W/GX80C/GX80H/GX85/GX85K/GX85W/GX85C Parts List**

Change	Safety	Ref. No.	Part No.	Part Name & Description	Q'ty	Remarks
		220	VDW2714	P.C.B. FRAME	1	(80K,85K,80W,85W)
		B201	SHD0130	SCREW	1	(80K,85K,80W,85W)
		B202	SHD0130	SCREW	1	(80K,85K,80W,85W)
		B203	SHD0131	SCREW	1	(80K,85K,80W,85W)
		B204	SHD0131	SCREW	1	(80K,85K,80W,85W)
		B205	SHD0131	SCREW	1	(80K,85K,80W,85W)
		B206	SHD0132	SCREW	1	(80K,85K,80W,85W)
		B207	VHD2296	SCREW	1	(80K,85K,80W,85W)
		B208	VHD2296	SCREW	1	(80K,85K,80W,85W)
		B209	VHD2296	SCREW	1	(80K,85K,80W,85W)
		B210	VHD2296	SCREW	1	(80K,85K,80W,85W)
		B211	VHD2296	SCREW	1	(80K,85K,80W,85W)
		B212	VHD2296	SCREW	1	(80K,85K,80W,85W)
		B213	VHD2296	SCREW	1	(80K,85K,80W,85W)
		B214	VHD2296	SCREW	1	(80K,85K,80W,85W)
		B215	VHD2296	SCREW	1	(80K,85K,80W,85W)
		400	SXW0094	LENS UNIT	1	(80W,85W)-K,-S
		400	SXW0095	LENS UNIT	1	(80W,85W)-T
		401	SDW0081K	FILTER RING	1	(80W,85W)-K,-S
		401	SDW0081S	FILTER RING	1	(80W,85W)-T
		402	-----	SHADING FRAME	1	(80W,85W) (NOT SUPPLIED)
		403	VEJ2333	MOUNT CONTACT UNIT	1	(80W,85W)
		405	VMG2117	FLOATING RUBBER	1	(80W,85W)
		406	VMG2117	FLOATING RUBBER	1	(80W,85W)
		407	VMG2117	FLOATING RUBBER	1	(80W,85W)
		408	SXQ0172	REAR FRAME UNIT	1	(80W,85W)-K,-S
		408	SXQ0173	REAR FRAME UNIT	1	(80W,85W)-T
		409	-----	LENS MAIN UNIT	1	(80W,85W) (NOT SUPPLIED)
		410	SGH0017K	DECORATION RING	1	(80W,85W)
		411	VMF0608	DUST PROOF RING	1	(80W,85W)
		412	VMS8278	ADJUST PIN	1	(80W,85W)
		413	SXQ0174	L MOUNT UNIT	1	(80W,85W)
		B400	VHD2296	SCREW	1	(80W,85W)
		B401	VHD2296	SCREW	1	(80W,85W)
		B402	VHD2296	SCREW	1	(80W,85W)
		B403	VHD2246	SCREW	1	(80W,85W)
		B404	VHD2246	SCREW	1	(80W,85W)
		B406	VHD2298	SCREW	1	(80W,85W)
		B407	VHD2299	SCREW	1	(80W,85W)
		B408	VHD2299	SCREW	1	(80W,85W)
		B409	VHD2299	SCREW	1	(80W,85W)
		B410	VHD1868	SCREW	1	(80W,85W)
		B411	VHD2109	SCREW	1	(80W,85W)
		B412	VHD2109	SCREW	1	(80W,85W)
		B413	VHD2109	SCREW	1	(80W,85W)
		B414	VHD2296	SCREW	1	(80W,85W)
		B415	VHD2296	SCREW	1	(80W,85W)
		B416	VHD2296	SCREW	1	(80W,85W)
		B417	SHD0021	SCREW	1	(80W,85W)
		B419	VHD2296	SCREW	1	(80W,85W)
		B420	VHD2296	SCREW	1	(80W,85W)
		B421	VHD2296	SCREW	1	(80W,85W)
		500	VXW1668	LENS UNIT	1	(80C,85C)-K,-S [INBD]
		500	VXW1663	LENS UNIT	1	(80C,85C)-T [INBD]
		501	VEJ2310	MOUNT CONTACT UNIT	1	(80C,85C) [INBD]
		502	VXQ2434	L MOUNT UNIT	1	(80C,85C) [INBD]
		503	-----	SHADING FRAME	1	(80C,85C) (NOT SUPPLIED)
		504	VMB4295	1ST PUSH SPRING	1	(80C,85C) [INBD]
		505	VMX3794	SPRING HOLDER	1	(80C,85C) [INBD]
		506	VYC1124	DECORATION RING UNIT	1	(80C,85C) [INBD]
		507	VDS0246	L7 LENS COVER	1	(80C,85C) [INBD]
		514	VYF3555	REAR FRAME UNIT	1	(80C,85C)-K,-S [INBD]

**Model No. : DMC-
GX80/GX80K/GX80W/GX80C/GX80H/GX85/GX85K/GX85W/GX85C Parts List**

Change	Safety	Ref. No.	Part No.	Part Name & Description	Q'ty	Remarks
		514	VYF3554	REAR FRAME UNIT	1	(80C,85C)-T [INBD]
		515	-----	LENS MAIN UNIT	1	(80C,85C) (NOT SUPPLIED)
		B501	VHD2142	SCREW	1	(80C,85C) [INBD]
		B502	VHD2142	SCREW	1	(80C,85C) [INBD]
		B503	VHD2142	SCREW	1	(80C,85C) [INBD]
		B504	VHD2299	SCREW	1	(80C,85C) [INBD]
		B505	VHD2299	SCREW	1	(80C,85C) [INBD]
		B506	VHD2299	SCREW	1	(80C,85C) [INBD]
		B507	VHD1868	SCREW	1	(80C,85C) [INBD]
		B508	VHD2298	SCREW	1	(80C,85C) [INBD]
		B509	VHD2296	SCREW	1	(80C,85C) [INBD]
		B510	VHD2296	SCREW	1	(80C,85C) [INBD]
		B511	VHD2296	SCREW	1	(80C,85C) [INBD]
		B512	VHD2073	SCREW	1	(80C,85C) [INBD]
		B513	VHD2073	SCREW	1	(80C,85C) [INBD]
		B514	XQN16+BJ45FN	SCREW	1	(80C,85C) [INBD]
		B515	XQN16+BJ45FN	SCREW	1	(80C,85C) [INBD]
		B516	XQN16+BJ45FN	SCREW	1	(80C,85C) [INBD]
		600	SXW0205	LENS UNIT	1	(80H) [INBD]
		601	VDW2635	FILTER RING	1	(80H) [INBD]
		602	---	SHADING FRAME	1	(80H) (NOT SUPPLIED)
		603	VEJ2336	LENS MOUNT CONTACT UNIT	1	(80H) [INBD]
		604	VMG1855	FLOATING RUBBER	1	(80H) [INBD]
		605	VMG1855	FLOATING RUBBER	1	(80H) [INBD]
		606	VMG1855	FLOATING RUBBER	1	(80H) [INBD]
		607	VMG1855	FLOATING RUBBER	1	(80H) [INBD]
		608	SXQ0394	REAR FRAME UNIT	1	(80H) [INBD]
		609	---	LENS MAIN UNIT	1	(80H) (NOT SUPPLIED)
		610	VYC1120	DECORATION RING	1	(80H) [INBD]
		611	VMG2090	DUST PROOF RING	1	(80H) [INBD]
		612	KOZZ00000641	OIS SWITCH	1	(80H) [INBD]
		613	VXQ2372	L MOUNT UNIT	1	(80H) [INBD]
		B600	VHD2096	SCREW	1	(80H) [INBD]
		B601	VHD2096	SCREW	1	(80H) [INBD]
		B602	VHD2096	SCREW	1	(80H) [INBD]
		B603	VHD2096	SCREW	1	(80H) [INBD]
		B604	VHD2096	SCREW	1	(80H) [INBD]
		B605	VHD2296	SCREW	1	(80H) [INBD]
		B606	VHD2296	SCREW	1	(80H) [INBD]
		B607	VHD2296	SCREW	1	(80H) [INBD]
		B608	VHD2299	SCREW	1	(80H) [INBD]
		B609	VHD2299	SCREW	1	(80H) [INBD]
		B610	VHD2299	SCREW	1	(80H) [INBD]
		B611	VHD1868	SCREW	1	(80H) [INBD]
		B612	VHD2298	SCREW	1	(80H) [INBD]
		B613	VHD2246	SCREW	1	(80H) [INBD]
		B614	VHD2246	SCREW	1	(80H) [INBD]
		B615	VHD2096	SCREW	1	(80H) [INBD]
		B616	VHD2096	SCREW	1	(80H) [INBD]
		B617	VHD2096	SCREW	1	(80H) [INBD]
		700	VPF1316A	CAMERA BAG	1	(80,85)
		701	VKF5259	HOT SHOE COVER	1	(-K)
		701	SKF0133H	HOT SHOE COVER	1	(-S)
		701	SKF0133S	HOT SHOE COVER	1	(-T)
	⚠	702	SAE0012DA	USB AC ADAPTOR	1	80EG,80EC,80EF,80EE,85GC
	⚠	702	SAE0012FA	USB AC ADAPTOR	1	80EB,85GH
	⚠	702	SAE0012AA	USB AC ADAPTOR	1	85P,85PP,85GT
	⚠	702	SAE0012HA	USB AC ADAPTOR	1	85GC
	⚠	702	SAE0012CA	USB AC ADAPTOR	1	85GK
	⚠	702	SAE0012GA	USB AC ADAPTOR	1	85GN
	⚠	702	SAE0012EA	USB AC ADAPTOR	1	85GD
		703	K1HY04YY0106	USB CABLE W/PLUG	1	(80,85)












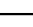











**Model No. : DMC-
GX80/GX80K/GX80W/GX80C/GX80H/GX85/GX85K/GX85W/GX85C Parts List**

Change	Safety	Ref. No.	Part No.	Part Name & Description	Q'ty	Remarks
		704	VFC5167	SHOULDER STRAP	1	(80,85)
	⚠	706	-----	BATTERY	1	(80,85)
	⚠	707	SQT1313	BASIC O/I (GERMAN)	1	80EG
	⚠	707	SQT1314	BASIC O/I (FRENCH)	1	80EG,80EF
	⚠	707	SQT1315	BASIC O/I (ITALIAN)	1	80EG
	⚠	707	SQT1316	BASIC O/I (DUTCH)	1	80EG,80EF
	⚠	707	SQT1317	BASIC O/I (SPANISH)	1	80EC
	⚠	707	SQT1318	BASIC O/I (PORTUGUESE)	1	80EC
	⚠	707	SQT1319	BASIC O/I (SWEDISH)	1	80EC
	⚠	707	SQT1320	BASIC O/I (DANISH)	1	80EC
	⚠	707	SQT1321	BASIC O/I (FINNISH)	1	80EC
	⚠	707	SQT1322	BASIC O/I (ENGLISH)	1	80EB
	⚠	707	SQT1323	BASIC O/I (RUSSIAN)	1	80EE
	⚠	707	SQT1324	BASIC O/I (UKRAINIAN)	1	80EE
	⚠	707	SQT1310	BASIC O/I (ENGLISH)	1	85P,85PP
	⚠	707	SQT1312	BASIC O/I (SPANISH)	1	85P,85PP
	⚠	707	SQT1311	BASIC O/I (FRENCH)	1	85PP
	⚠	707	SQT1325	BASIC O/I (ENGLISH)	1	85GC,85GH
	⚠	707	SQT1326	BASIC O/I (CHINESE (TRADITIONAL))	1	85GC,85GH
	⚠	707	SQT1327	BASIC O/I (ARABIC)	1	85GC
	⚠	707	SQT1328	BASIC O/I (CHINESE (TRADITIONAL))	1	85GT
	⚠	707	SQT1329	BASIC O/I (CHINESE (SIMPLIFIED))	1	85GK
	⚠	707	SQT1330	BASIC O/I (ENGLISH)	1	85GN
	⚠	707	SQT1331	BASIC O/I (KOREAN)	1	85GD
		708	VPF1539	BAG, POLYETHYLENE	1	80EG,80EC,80EB,80EF,80EE,85GC,85GH,85GT,85GK,85GN,85GD
		708	VPF1542	BAG, POLYETHYLENE	1	85P,85PP
		720	VKF4971	BODY CAP	1	(80,85)
		730	SPK0169	PACKING CASE	1	80EG,80EC,80EB,80EF,80EE
		730	SPK0170	PACKING CASE	1	85P,85PP,85GC,85GH,85GT,85GN,85GD
		730	SPK0171	PACKING CASE	1	85GK
		731	SPN0479	PAD A	1	(80,85)
		732	SPN0478	PAD	1	(80,85)
		740	VQL2T97	COLOR LABEL	1.5	80EG-S,80EC-S,80EB-S,80EF-S,85P-S,85PP-S,85GC-S,85GH-S,85GT-S,85GN-S,85GDS
		740	VQL2X50	COLOR LABEL	1.5	80EG-T,80EC-T,80EB-T,85GC-T,85GH-T,85GT-T,85GDT
		740	VQL2V11	COLOR LABEL	1.5	85GK-S
		740	VQL2X51	COLOR LABEL	1.5	85GK-T
		800	VPF1316A	CAMERA BAG	1	(80K,85K)
		801	VKF5259	HOT SHOE COVER	1	(-K)
		801	SKF0133H	HOT SHOE COVER	1	(-S)
		801	SKF0133S	HOT SHOE COVER	1	(-T)
	⚠	802	SAE0012DA	USB AC ADAPTOR	1	80KEG,80KEC,80KEF,80KEE,85KGC
	⚠	802	SAE0012FA	USB AC ADAPTOR	1	80KEB,85KGH
	⚠	802	SAE0012AA	USB AC ADAPTOR	1	85KP,85KPP
	⚠	802	SAE0012GA	USB AC ADAPTOR	1	85KGN
	⚠	802	SAE0012EA	USB AC ADAPTOR	1	85KGD
	⚠	802	SAE0012HA	USB AC ADAPTOR	1	85KGC
		803	KLHY04YY0106	USB CABLE W/PLUG	1	(80K,85K)
		804	VFC5167	SHOULDER STRAP	1	(80K,85K)
	⚠	806	-----	BATTERY	1	(80K,85K)
	⚠	807	SQT1313	BASIC O/I (GERMAN)	1	80KEG
	⚠	807	SQT1314	BASIC O/I (FRENCH)	1	80KEG,80KEF
	⚠	807	SQT1315	BASIC O/I (ITALIAN)	1	80KEG
	⚠	807	SQT1317	BASIC O/I (SPANISH)	1	80KEC
	⚠	807	SQT1318	BASIC O/I (PORTUGUESE)	1	80KEC
	⚠	807	SQT1319	BASIC O/I (SWEDISH)	1	80KEC
	⚠	807	SQT1320	BASIC O/I (DANISH)	1	80KEC
	⚠	807	SQT1321	BASIC O/I (FINNISH)	1	80KEC
	⚠	807	SQT1323	BASIC O/I (RUSSIAN)	1	80KEE

**Model No. : DMC-
GX80/GX80K/GX80W/GX80C/GX80H/GX85/GX85K/GX85W/GX85C Parts List**

Change	Safety	Ref. No.	Part No.	Part Name & Description	Q'ty	Remarks
		807	SQT1324	BASIC O/I (UKRAINIAN)	1	80KEE
		807	SQT1310	BASIC O/I (ENGLISH)	1	85KP,85KPP
		807	SQT1312	BASIC O/I (SPANISH)	1	85KP,85KPP
		807	SQT1311	BASIC O/I (FRENCH)	1	85KPP
		807	SQT1325	BASIC O/I (ENGLISH)	1	85KGC,85KGH
		807	SQT1326	BASIC O/I (CHINESE (TRADITIONAL))	1	85KGC,85KGH
		807	SQT1330	BASIC O/I (ENGLISH)	1	85KGN
		807	SQT1331	BASIC O/I (KOREAN)	1	85KGD
		807	SQT1316	BASIC O/I (DUTCH)	1	80KEG,80KEF
		807	SQT1322	BASIC O/I (ENGLISH)	1	80KEB
		807	SQT1327	BASIC O/I (ARABIC)	1	85KGC
		808	VPF1542	BAG, POLYETHYLENE	1	85KP,85KPP
		808	VPF1539	BAG, POLYETHYLENE	1	80KEG,80KEC,80KEF,80KEB,80KEE,85KGC,85KGH,85KGN,85KGD
		821	SYF0059-M	LENS CAP	1	(80K,85K)
		830	SPK0174	PACKING CASE	1	80KEG,80KEC,80KEF,80KEB,80KEE
		830	SPK0173	PACKING CASE	1	85KP,85KPP,85KGC,85KGH,85KGN,85KGD
		831	SPN0480	PAD B	1	(80K,85K)
		832	SPN0478	PAD	1	(80K,85K)
		840	VQL2T97	COLOR LABEL	1	80KEGS,80KECS,80KEFS,80KEBS,85KPS,85KPPS,85KGS,85KHS,85KNS,85KDS
		840	VQL2X50	COLOR LABEL	1	80KEGT,80KECT,80KEFT,80KEBT,85KGT,85KHT,85KGD
		1000	VPF1316A	CAMERA BAG	1	(80W,85W)
		1001	SKF0133H	HOT SHOE COVER	1	(-S)
		1001	SKF0133S	HOT SHOE COVER	1	(-T)
		1001	VKF5259	HOT SHOE COVER	1	(-K)
		1002	SAE0012DA	USB AC ADAPTOR	1	80WEG,80WEF
		1002	SAE0012FA	USB AC ADAPTOR	1	80WEB
		1002	SAE0012CA	USB AC ADAPTOR	1	85WGK
		1003	K1HY04YY0106	USB CABLE W/PLUG	1	(80W,85W)
		1004	VFC5167	SHOULDER STRAP	1	(80W,85W)
		1006	-----	BATTERY	1	(80W,85W)
		1007	SQT1313	BASIC O/I (GERMAN)	1	80WEG
		1007	SQT1314	BASIC O/I (FRENCH)	1	80WEG,80WEF
		1007	SQT1315	BASIC O/I (ITALIAN)	1	80WEG
		1007	SQT1316	BASIC O/I (DUTCH)	1	80WEG,80WEF
		1007	SQT1322	BASIC O/I (ENGLISH)	1	80WEB
		1007	SQT1329	BASIC O/I (CHINESE (SIMPLIFIED))	1	85WGK
		1008	VPF1539	BAG, POLYETHYLENE	1	80WEG,80WEF,80WEB,85WGK
		1021	SYF0059-M	LENS CAP	1	(80W,85W)
		1022	SYA0024	LENS HOOD	1	(80W,85W) -K, -S
		1022	SYA0025	LENS HOOD	1	(80W,85W) -T
		1023	VFC4605-B	LENS REAR CAP	1	(80W,85W)
		1024	SYF0073	LENS CAP	1	(80W,85W)
		1025	VPF1535	AIR CAP BAG	1	(80W,85W)
		1030	SPK0176	PACKING CASE	1	80WEG,80WEF,80WEB
		1030	SPK0178	PACKING CASE	1	85WGK
		1031	SPN0480	PAD B	1	80WEG,80WEF,80WEB,85WGK
		1032	SPN0478	PAD	1	(80W,85W)
		1033	SPN0504	PAD F	1	(80W,85W)
		1040	VQL2X50	COLOR LABEL	1	80WEGT,80WEFT,80WEBT
		1040	VQL2V11	COLOR LABEL	1	85WGKS
		1040	VQL2T97	COLOR LABEL	1	80WEGS,80WEFS,80WEBS
		1040	VQL2X51	COLOR LABEL	1	85WGKT
		1100	VPF1316A	CAMERA BAG	1	(80C,85C)
		1101	SKF0133H	HOT SHOE COVER	1	(-S)
		1101	SKF0133S	HOT SHOE COVER	1	(-T)
		1101	VKF5259	HOT SHOE COVER	1	(-K)
		1102	SAE0012DA	USB AC ADAPTOR	1	80CEC,85CGC

**Model No. : DMC-
GX80/GX80K/GX80W/GX80C/GX80H/GX85/GX85K/GX85W/GX85C Parts List**

Change	Safety	Ref. No.	Part No.	Part Name & Description	Q'ty	Remarks
		1102	SAE0012HA	USB AC ADAPTOR	1	85CGC
		1102	SAE0012CA	USB AC ADAPTOR	1	85CGK
		1103	K1HY04YY0106	USB CABLE W/PLUG	1	(80C,85C)
		1104	VFC5167	SHOULDER STRAP	1	(80C,85C)
		1106	-----	BATTERY	1	(80C,85C)
		1107	SQT1317	BASIC O/I (SPANISH)	1	80CEC
		1107	SQT1318	BASIC O/I (PORTUGUESE)	1	80CEC
		1107	SQT1319	BASIC O/I (SWEDISH)	1	80CEC
		1107	SQT1320	BASIC O/I (DANISH)	1	80CEC
		1107	SQT1321	BASIC O/I (FINNISH)	1	80CEC
		1107	SQT1325	BASIC O/I (ENGLISH)	1	85CGC
		1107	SQT1326	BASIC O/I (CHINESE (TRADITIONAL))	1	85CGC
		1107	SQT1327	BASIC O/I (ARABIC)	1	85CGC
		1107	SQT1329	BASIC O/I (CHINESE (SIMPLIFIED))	1	85CGK
		1108	VPF1539	BAG, POLYETHYLENE	1	(80C,85C)
		1121	VYF3371	LENS CAP	1	(80C,85C)
		1130	SPK0179	PACKING CASE	1	80CEC
		1130	SPK0180	PACKING CASE	1	85CGC
		1130	SPK0181	PACKING CASE	1	85CGK
		1131	SPN0480	PAD B	1	(80C,85C)
		1132	SPN0478	PAD	1	(80C,85C)
		1140	VQL2T97	COLOR LABEL	1	80CECS,85CGCS
		1140	VQL2X50	COLOR LABEL	1	80CECT,85CGCT
		1140	VQL2V11	COLOR LABEL	1	85CGKS
		1140	VQL2X51	COLOR LABEL	1	85CGKT
		1200	VPF1316A	CAMERA BAG	1	(80H)
		1201	SKF0133H	HOT SHOE COVER	1	(-S)
		1201	VKF5259	HOT SHOE COVER	1	(-K)
		1202	SAE0012DA	USB AC ADAPTOR	1	(80H)
		1203	K1HY04YY0106	USB CABLE W/PLUG	1	(80H)
		1204	VFC5167	SHOULDER STRAP	1	(80H)
		1206	-----	BATTERY	1	(80H)
		1207	SQT1313	BASIC O/I (GERMAN)	1	80HEG
		1207	SQT1314	BASIC O/I (FRENCH)	1	80HEG,80HEF
		1207	SQT1315	BASIC O/I (ITALIAN)	1	80HEG
		1207	SQT1316	BASIC O/I (DUTCH)	1	80HEG,80HEF
		1207	SQT1317	BASIC O/I (SPANISH)	1	80HEC
		1207	SQT1318	BASIC O/I (PORTUGUESE)	1	80HEC
		1207	SQT1319	BASIC O/I (SWEDISH)	1	80HEC
		1207	SQT1320	BASIC O/I (DANISH)	1	80HEC
		1207	SQT1321	BASIC O/I (FINNISH)	1	80HEC
		1208	VPF1539	BAG, POLYETHYLENE	1	(80H)
		1220	VKF4971	BODY CAP	1	(80H)
		1221	VYF3514	LENS CAP	1	(80H)
		1222	VYC1119-B	LENS HOOD	1	(80H)
		1223	VFC4605-B	LENS REAR CAP	1	(80H)
		1225	VPF1535	AIR CAP BAG	1	(80H)
		1230	SPK0202	PACKING CASE	1	(80H)
		1231	SPN0479	PAD A	1	(80H)
		1232	SPN0478	PAD	1	(80H)
		1233	SPN0504	PAD F	1	(80H)
		1240	VQL2T97	COLOR LABEL	1	(80H)