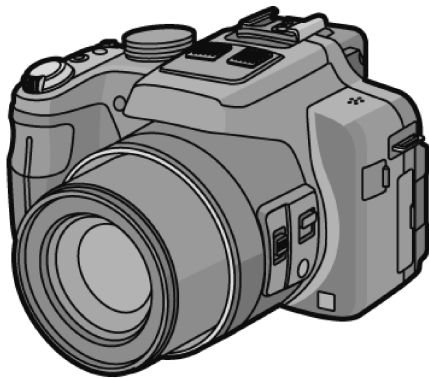


Service Manual

Digital Camera

LUMIX



Model No. **DMC-FZ150P**
DMC-FZ150PC
DMC-FZ150PU
DMC-FZ150EB
DMC-FZ150EE
DMC-FZ150EF
DMC-FZ150EG
DMC-FZ150EP
DMC-FZ150GC
DMC-FZ150GD
DMC-FZ150GK
DMC-FZ150GN
DMC-FZ150GT

Vol. 1
Colour
(K).....Black Type


⚠ WARNING

This service information is designed for experienced repair technicians only and is not designed for use by the general public. It does not contain warnings or cautions to advise non-technical individuals of potential dangers in attempting to service a product. Products powered by electricity should be serviced or repaired only by experienced professional technicians. Any attempt to service or repair the product or products dealt with in this service information by anyone else could result in serious injury or death.

Panasonic[®]

© Panasonic Corporation 2011 Unauthorized copying and distribution is a violation of law.

S6. Replacement Parts List

- Note:
1. * Be sure to make your orders of replacement parts according to this list.
 2. **IMPORTANT SAFETY NOTICE**
Components identified with the mark  have the special characteristics for safety.
When replacing any of these components, use only the same type.
 3. Unless otherwise specified,
All resistors are in OHMS, K=1,000 OHMS. All capacitors are in MICRO-FARADS (uf), P=uuF.
 4. The marking (RTL) indicates the retention time is limited for this item. After the discontinuation of this assembly in production, it will no longer be available.
 5. Supply of CD-ROM, in accordance with license protection, is allowable as replacement parts only for customers who accidentally damaged or lost their own.

E.S.D. standards for Electrostatically Sensitive Devices, refer to PREVENTION OF ELECTROSTATIC DISCHARGE (ESD) TO ELECTROSTATICALLY SENSITIVE (ES) DEVICES section.

Definition of Parts supplier:

1. Parts marked with [ENERGY] in the remarks column are supplied from Panasonic Corporation Energy Company.
2. Parts marked with [PAVCSG] in the remarks column are supplied from PAVCSG. Others are supplied from AVC-CSC-SPC.

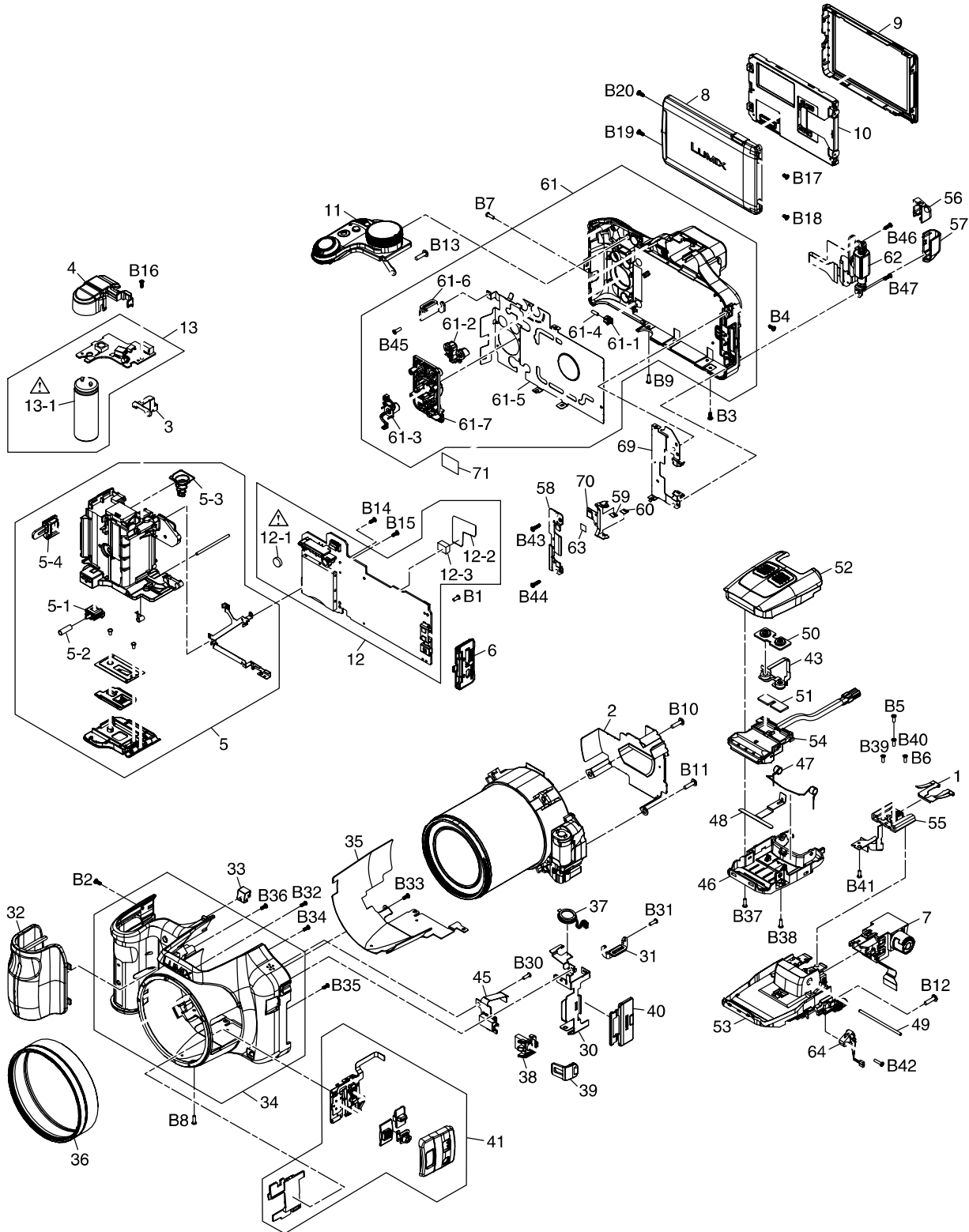
Ref.No.	Part No.	Part Name & Description	Pcs	Remarks
1	VMC2111	SHOE SPRING	1	
2	VSC6334	LENS HEAT SINK	1	
3	VMC2128	BATTERY EARTH PLATE (TOP)	1	
4	VGQ0W94	CAPACITOR COVER	1	
5	VYK5C71	BATTERY CASE UNIT	1	
5-1	VGU0G12	BATTERY LOCK KNOB	1	
5-2	VMB4199	BATTERY LOCK SPRING	1	
5-3	VMB4385	BATTERY SPRING	1	
5-4	VGQ0M26	COUPLER COVER	1	
6	VGQ0W60	JACK HOLDER	1	
7	L5EDDXE00008	EVF UNIT	1	
8	VKM9529	LCD CASE (TOP)	1	
9	VKM9530	LCD CASE (BOTTOM)	1	
10	VYK5G58	LCD UNIT	1	
11	K0RB02500001	TOP CASE UNIT	1	
12	VEP56145B	MAIN P.C.B.	1	(RTL) E.S.D, EG,EP,EF,EB
12	VEP56145A	MAIN P.C.B.	1	(RTL) E.S.D, P,PC,PU,EE, GC,GT,GK,GN,GD
△ 12-1	ML-614S/ZTK	BATTERY	1	[ENERGY] (B9101)
12-2	VGQ1B62	MAIN COPPER SHEET	1	
12-3	VGQ0X92	MAIN PCB SHEET	1	
13	VEP58156A	FLASH P.C.B.	1	(RTL) E.S.D.
△ 13-1	F9Z000000038	E.CAPACITOR	1	(C8003)
30	VMP0A04	SIDE FRAME (R)	1	[PAVCSG]
31	VGQ0X73	STRAP HOLDER	1	[PAVCSG]
32	VGQ0X60	GRIP PIECE FRONT	1	[PAVCSG]
33	VGQ0X17	AF LIGHT CASE	1	[PAVCSG]
34	VYK5D00	FRONT CASE UNIT	1	[PAVCSG]
35	VSC6335	FRONT HEAT SINK	1	[PAVCSG]
36	VDW2331	LENS RING FRONT	1	[PAVCSG]
37	L0AA01A00118	SPEAKER	1	[PAVCSG]
38	VGQ0W52	REMOTE HOLDER	1	[PAVCSG]
39	VKF4915	REMOTE COVER	1	[PAVCSG]
40	VKF4917	JACK COVER	1	[PAVCSG]
41	VYK5N21	SIDE OPERATION UNIT	1	[PAVCSG]
43	VEP54016B	ECM FLEX UNIT	1	[PAVCSG]
45	VEP59106A	MIC JACK FPC	1	[PAVCSG]
46	VKM9520	FLASH CASE BOTTOM	1	[PAVCSG]
47	VMB4377	FLASH POP UP SPRING	1	[PAVCSG]
48	VMP9666	FLASH EARTH PLATE	1	[PAVCSG]
49	VMST911-A	FLASH SHAFT	1	[PAVCSG]
50	VMT1962	MIC DAMPER	1	[PAVCSG]
51	VMT2011-A	MIC CUSHION	1	[PAVCSG]
52	VYK5C95	FLASH CASE TOP UNIT	1	[PAVCSG]
53	VYK5C97	FLASH BASE UNIT	1	[PAVCSG]
54	EFN-AMCM4ZD	FLASH UNIT	1	[PAVCSG]
55	VEK0S09	HOT SHOE UNIT	1	[PAVCSG]
56	VKM9531	HINGE ARM COVER TOP	1	[PAVCSG]
57	VKM9532	HINGE ARM COVER BOTTOM	1	[PAVCSG]
58	VMP0A09	HINGE PLATE	1	[PAVCSG]
59	VGQ0Y75	HINGE SW TAPE	1	[PAVCSG]
60	VGQ0Y75	HINGE SW TAPE	1	[PAVCSG]
61	VYK5F37	REAR CASE UNIT	1	[PAVCSG]
61-1	VGQ0W61	LCD LOCK PIECE	1	[PAVCSG]
61-2	VGU0J85	PLAY BUTTON	1	[PAVCSG]
61-3	VGU0J86	CURSOR BUTTON A	1	[PAVCSG]
61-4	VMB4373	LCD LOCK SPRING	1	[PAVCSG]
61-5	VMC2187	REAR EARTH PLATE A	1	[PAVCSG]
61-6	VGQ0X73	STRAP HOLDER	1	[PAVCSG]
61-7	VGU0K28	CURSOR BUTTON B	1	[PAVCSG]
62	VYK5L38	LCD HINGE UNIT	1	[PAVCSG]
63	VGQ0V71	TOP PCB SHEET	1	[PAVCSG]
64	VYQ3749	FLASH SW UNIT	1	[PAVCSG]
69	VMC2195	REAR EARTH PLATE B	1	[PAVCSG]
70	VEP59105A	HINGE SW FPC	1	[PAVCSG]
71	VGQ1C11	DPR SHEET	1	[PAVCSG]

Ref.No.	Part No.	Part Name & Description	Pcs	Remarks
B1	VHD2179	SCREW	1	
B2	VHD2179	SCREW	1	
B3	VHD2179	SCREW	1	
B4	VHD2179	SCREW	1	
B5	VHD2179	SCREW	1	
B6	VHD2179	SCREW	1	
B7	VHD1870	SCREW	1	
B8	VHD1870	SCREW	1	
B9	VHD1870	SCREW	1	
B10	XTV2+8JFN	SCREW	1	
B11	XTV2+8JFN	SCREW	1	
B12	XTV2+8JFN	SCREW	1	
B13	XTV2+8JFN	SCREW	1	
B14	XQN16+BJ4FN	SCREW	1	
B15	XQN16+BJ4FN	SCREW	1	
B16	XQN16+BJ4FN	SCREW	1	
B17	VHD2149	SCREW	1	
B18	VHD2149	SCREW	1	
B19	VHD2179	SCREW	1	
B20	VHD2179	SCREW	1	
B30	VHD1870	SCREW	1	[PAVCSG]
B31	VHD1870	SCREW	1	[PAVCSG]
B32	XQN16+BJ4FN	SCREW	1	[PAVCSG]
B33	XQN16+BJ4FN	SCREW	1	[PAVCSG]
B34	VHD2252-A	SCREW	1	[PAVCSG]
B35	VHD2252-A	SCREW	1	[PAVCSG]
B36	VHD2252-A	SCREW	1	[PAVCSG]
B37	VHD1870	SCREW	1	[PAVCSG]
B38	VHD1870	SCREW	1	[PAVCSG]
B39	VHD2150	SCREW	1	[PAVCSG]
B40	VHD2150	SCREW	1	[PAVCSG]
B41	VHD2150	SCREW	1	[PAVCSG]
B42	VHD2251-A	SCREW	1	[PAVCSG]
B43	VHD2281	SCREW	1	[PAVCSG]
B44	VHD2281	SCREW	1	[PAVCSG]
B45	VHD1870	SCREW	1	[PAVCSG]
B46	VHD2190	SCREW	1	[PAVCSG]
B47	VHD2190	SCREW	1	[PAVCSG]

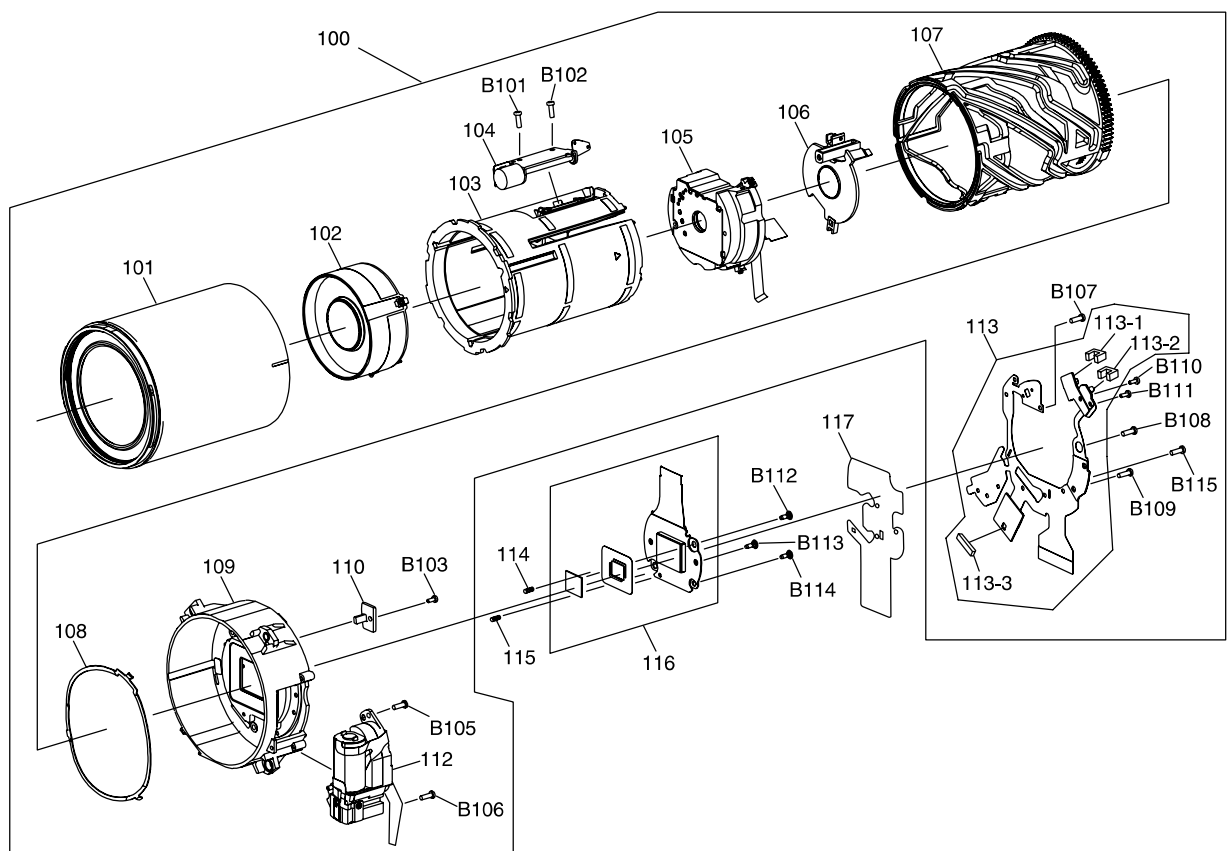
Ref.No.	Part No.	Part Name & Description	Pcs	Remarks	Ref.No.	Part No.	Part Name & Description	Pcs	Remarks
△ 200	---	BATTERY	1	P,PC,PU,EG,EP,EF,EB,EE, GC,GT,GN,GD,GK	213	VQC8614	O/I SOFTWARE (ENGLISH/CANADIAN FRENCH)	1	P,PC
△ 201	DE-A84AB	BATTERY CHARGER	1	EG,EP,EF,EB,EE,GN	213	VQC8615	O/I SOFTWARE (SPANISH/PORTUGUESE)	1	PU
△ 201	DE-A83BA	BATTERY CHARGER	1	P,PC,PU	213	VQC8617	O/I SOFTWARE (FINNISH/SWEDISH/DANISH/ POLISH/CZECH/HUNGARIAN)	1	EP
△ 201	DE-A84BA	BATTERY CHARGER	1	GC,GK,GD	213	VQC8618	O/I SOFTWARE (FRENCH)	1	EF
△ 201	DE-A84CA	BATTERY CHARGER	1	GT	213	VQC8619	O/I SOFTWARE (ENGLISH)	1	EB,GN
202	K1HY08YY0017	USB CABLE W/PLUG	1	P,PC,PU,EG,EP,EF,EB,EE, GC,GT,GN,GD,GK	213	VQC8620	O/I SOFTWARE (RUSSIAN/UKRAINIAN)	1	EE
△ 203	VFF0856	CD-ROM (INSTRUCTION BOOK)	1	EG,EP,EF,EB	213	VQC8621	O/I SOFTWARE (ENGLISH/ CHINESE(TRADITIONAL)/ ARABIC/PERSIAN)	1	GT
△ 203	VFF0855	CD-ROM (INSTRUCTION BOOK)	1	P,PC,PU	213	VQC8622	O/I SOFTWARE (CHINESE(TRADITIONAL))	1	GT
△ 203	VFF0857	CD-ROM (INSTRUCTION BOOK)	1	EE	213	VQC8623	O/I SOFTWARE (CHINESE(SIMPLIFIED))	1	GK
△ 203	VFF0858	CD-ROM (INSTRUCTION BOOK)	1	GC,GN	213	VQC8582	O/I SOFTWARE (KOREAN)	1	GD
△ 203	VFF0859	CD-ROM (INSTRUCTION BOOK)	1	GT,GD	214	VQL2C67	OPERATING LABEL	1	PC
△ 203	VFF0860	CD-ROM (INSTRUCTION BOOK)	1	GK	214	VQL2C68-1	OPERATING LABEL	1	GT
204	VFC4453	SHOULDER STRAP	1	P,PC,PU,EG,EP,EF,EB,EE, GC,GT,GN,GD,GK	215	VFF0846-S	CD-ROM(OVERSEA)	1	EG,EP,EF,EB,EE,GC,GT,GN, GD,P,PC,PU See "Notes"
205	VYQ5607	LENS CAP UNIT	1	P,PC,PU,EG,EP,EF,EB,EE, GC,GT,GN,GD,GK	215	VFF0847-S	CD-ROM(CHINA)	1	GK See "Notes"
206	VYQ7134	LENS HOOD UNIT	1	P,PC,PU,EG,EP,EF,EB,EE, GC,GT,GN,GD,GK	△ 250	K2CT39A00002	AC CORD W/PLUG	1	EB,GC
207	VPF1166	CAMERA BAG	1	P,PC,PU,EG,EP,EF,EB,EE, GC,GT,GN,GD,GK	△ 251	K2CQ29A00002	AC CORD W/PLUG	1	EG,EP,EF,EE,GC
208	VYQ7016	PACKING CASE	1	GT,GD,PU	△ 251	K2CR29A00001	AC CORD W/PLUG	1	GD
208	VPK5089	PACKING CASE	1	EG,EP,EF,EB,EE,GC,GN	△ 252	K2CJ29A00002	AC CORD W/PLUG	1	GN
208	VPK5088	PACKING CASE	1	P,PC	△ 253	K2CA29A00021	AC CORD W/PLUG	1	GT
208	VYQ7017	PACKING CASE	1	GK	△ 253	K2CA2YY00070	AC CORD W/PLUG	1	GK
209	VPN7279	CUSHION	1	P,PC,PU,EG,EP,EF,EB,EE, GC,GT,GN,GD,GK					
211	VPF1230	BAG, POLYETHYLENE	1	P,PC,PU,EG,EP,EF,EB,EE, GC,GT,GN,GD,GK					
△ 212	VQT3S58	BASIC O/I (GERMAN/FRENCH)	1	EG					
△ 212	VQT3S59	BASIC O/I (ITALIAN/DUTCH)	1	EG					
△ 212	VQT3S60	BASIC O/I (SPANISH/PORTUGUESE)	1	EG					
△ 212	VQT3S61	BASIC O/I (TURKISH)	1	EG					
△ 212	VQT3S55	BASIC O/I (ENGLISH/SPANISH)	1	P					
△ 212	VQT3S56	BASIC O/I (ENGLISH/CANADIAN FRENCH)	1	PC					
△ 212	VQT3S57	BASIC O/I (SPANISH/PORTUGUESE)	1	PU					
△ 212	VQT3S62	BASIC O/I (SWEDISH/DANISH)	1	EP					
△ 212	VQT3S63	BASIC O/I (POLISH/CZECH)	1	EP					
△ 212	VQT3S64	BASIC O/I (HUNGARIAN/FINNISH)	1	EP					
△ 212	VQT3S65	BASIC O/I (FRENCH)	1	EF					
△ 212	VQT3S66	BASIC O/I (ENGLISH)	1	EB					
△ 212	VQT3S67	BASIC O/I (RUSSIAN/UKRAINIAN)	1	EE					
△ 212	VQT3S68	BASIC O/I (ENGLISH/ CHINESE(TRADITIONAL))	1	GC					
△ 212	VQT3S69	BASIC O/I (ARABIC/PERSIAN)	1	GC					
△ 212	VQT3S70	BASIC O/I (VIETNAMESE)	1	GC					
△ 212	VQT3S71	BASIC O/I (CHINESE(TRADITIONAL))	1	GT					
△ 212	VQT3S72	BASIC O/I (CHINESE(SIMPLIFIED))	1	GK					
△ 212	VQT3S73	BASIC O/I (ENGLISH)	1	GN					
△ 212	VQT3S74	BASIC O/I (KOREAN)	1	GD					
213	VQC8616	O/I SOFTWARE (GERMAN/FRENCH/ITALIAN/ DUTCH/SPANISH/ PORTUGUESE/TURKISH)	1	EG					

S7. Exploded View

S7.1. Frame and Casing Section



S7.2. Camera Lens Section



S7.3. Packing Parts and Accessories Section

