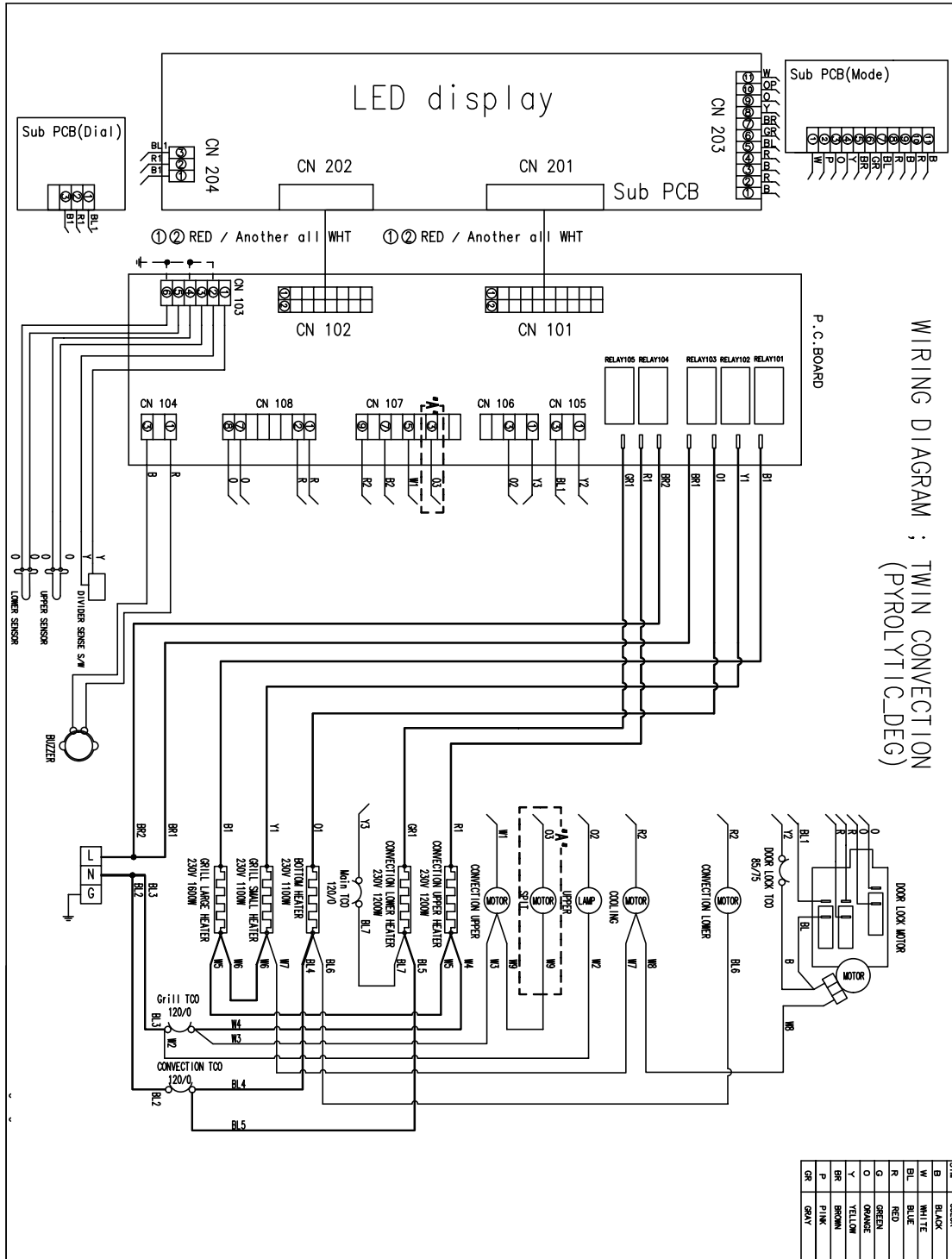


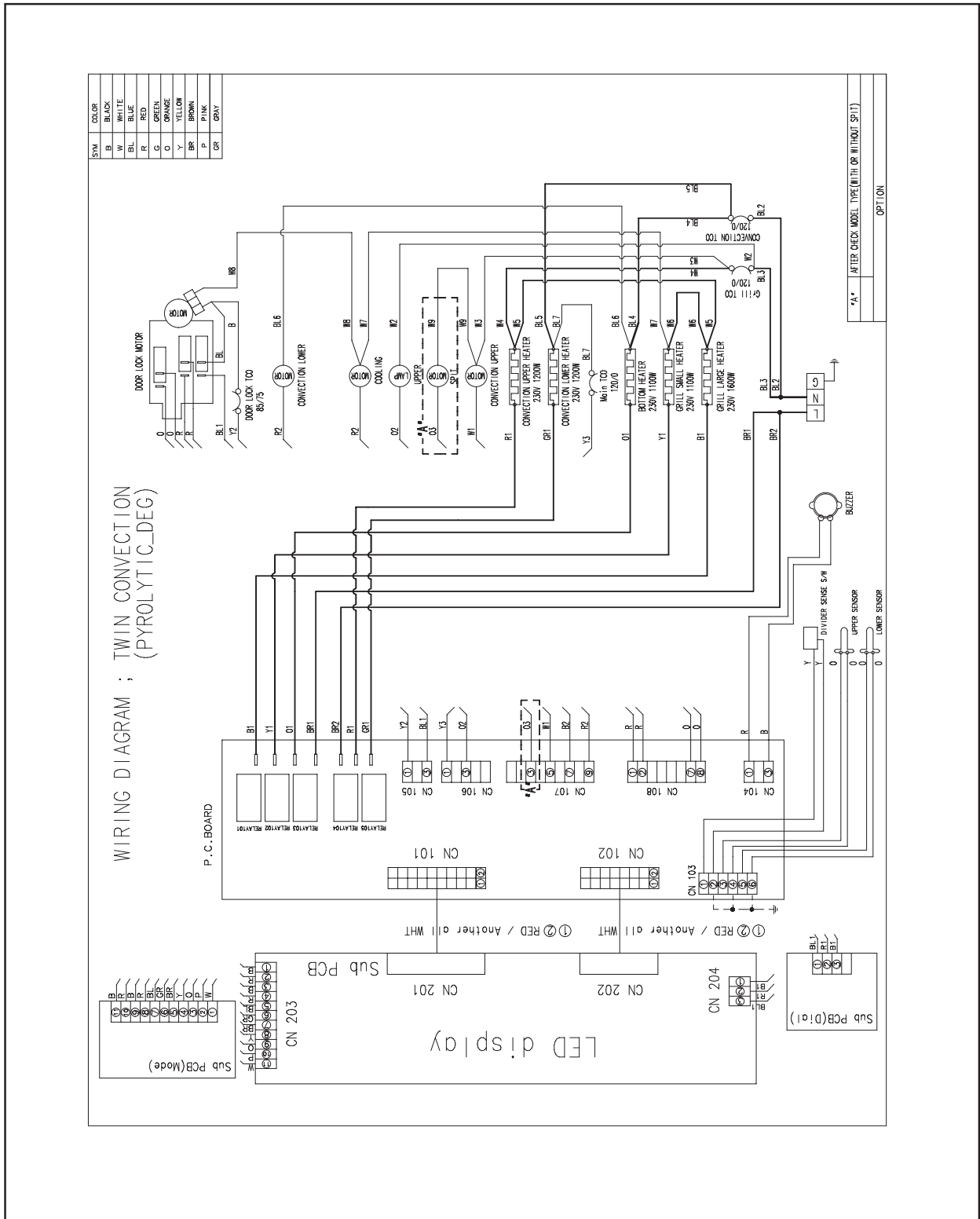
# 6. Wiring Diagram

## 6-1 Wiring Diagram (Version 00)



( This Document can not be used without Samsung's authorization. )

# 6-1 Wiring Diagram (Version 01)



( This Document can not be used without Samsung's authorization. )