

5. REPAIR PARTS LIST

5. REPAIR PARTS LIST

NOTE:

- -XX, -X mean standardized parts, so they may have some differences from the original one.
- Items marked "*" are not stocked since they are seldom required for routine service. Some delay should be anticipated when ordering these items.
- The mechanical parts with no reference number in the exploded views are not supplied.
- Due to standardization, replacements in the parts list may be different from the parts specified in the diagrams or the components used on the set.
- CAPACITORS:
uF: μ F
- COILS
uH: μ H
- RESISTORS
All resistors are in ohms.
METAL: metal-film resistor
METAL OXIDE: Metal Oxide-film resistor
F: nonflammable
- SEMICONDUCTORS
In each case, u: μ , for example:
uA...: μ A..., uPA..., μ PA...,
uPB..., μ PB..., uPC..., μ PC...,
uPD..., μ PD...

When indicating parts by reference number, please include the board name.

The components identified by mark Δ or dotted line with mark Δ are critical for safety. Replace only with part number specified.

Les composants identifiés par une marque Δ sont critiques pour la sécurité. Ne les remplacer que par une pièce portant le numéro spécifié.

- Color Indication of Appearance Parts
Example:
(SILVER) : Cabinet's Color
(Silver) : Parts Color

- Abbreviation
AR : Argentine model
AUS : Australian model
BR : Brazilian model
CH : Chinese model
CND : Canadian model
EE : East European model
HK : Hong Kong model
J : Japanese model
JE : Tourist model
KR : Korea model
NE : North European model

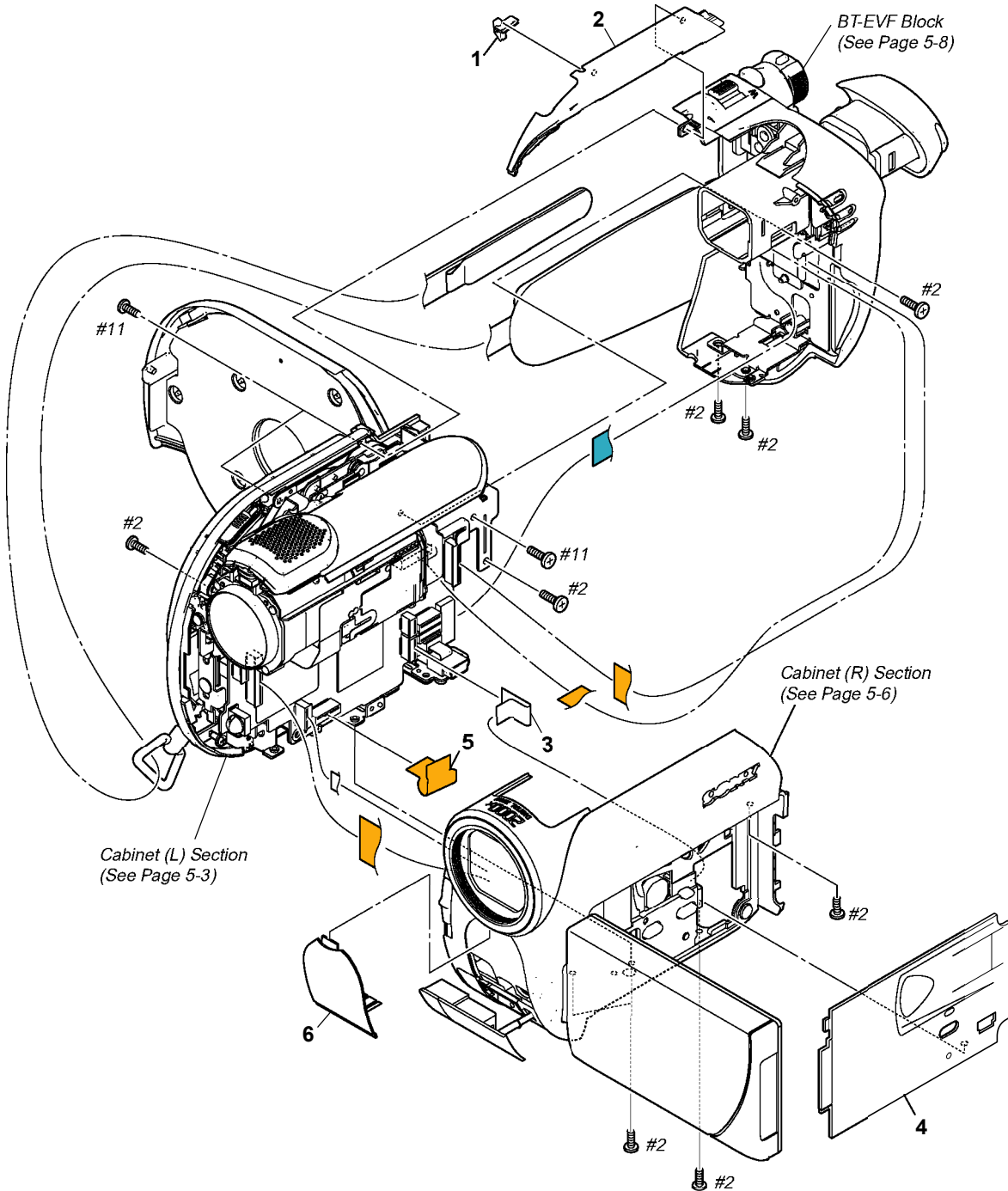
5. REPAIR PARTS LIST

DISASSEMBLY

HARDWARE LIST

5-1. EXPLODED VIEWS

5-1-1. OVERALL SECTION



Ref. No.	Part No.	Description
1	2-699-266-01	LIGHT, ACCESS GUIDE
2	2-699-257-01	CABINET (L (UPPER))
3	1-833-677-11	CABLE, FLEXIBLE FLAT (FFC-006)
4	2-699-442-01	COVER, R
5	1-871-289-11	FP-575 FLEXIBLE BOARD

Ref. No.	Part No.	Description
6	2-699-512-01	WINDOW, REMOTE CONTROL
#2	2-635-562-31	SCREW (M1.7) (Black)
#11	3-078-890-11	SCREW, TAPPING (Silver)

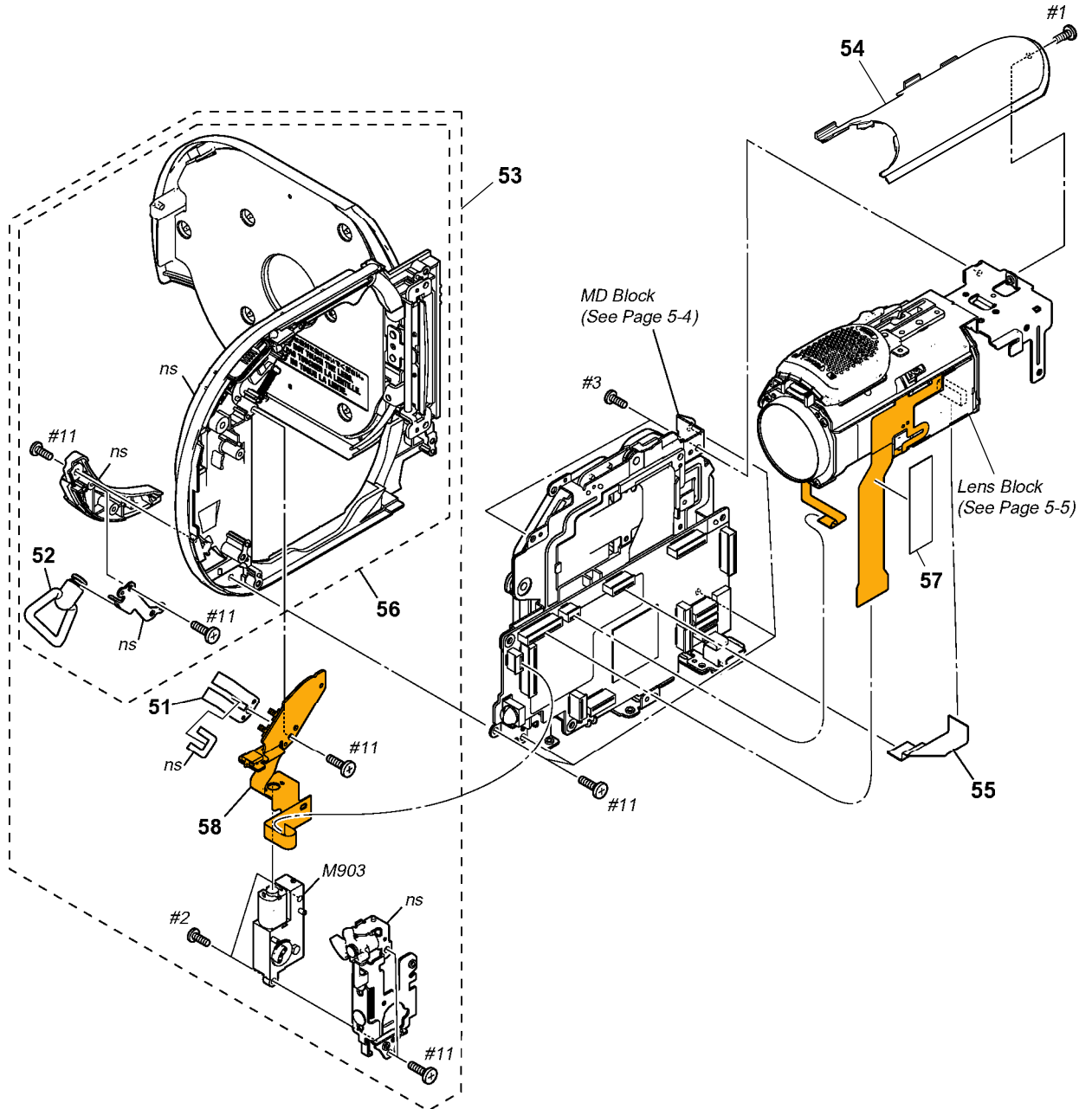
5. REPAIR PARTS LIST

DISASSEMBLY

HARDWARE LIST

5-1-2. CABINET (L) SECTION

ns: not supplied



Ref. No.	Part No.	Description
* 51	2-699-262-01	SHEET METAL, LID
52	3-090-616-01	SHAFT (F), STRAP
53	A-1204-638-A	CABINET L ASSY (221) (DVD106E/DVD108/ DVD108E/DVD608/DVD608E)
53	A-1224-314-A	CABINET L ASSY (222) (DVD109E)
54	2-699-449-01	CABINET (UPPER (221))
55	1-833-675-21	CABLE, FLEXIBLE FLAT (FFC-003)
56	A-1246-113-A	CABINET (L) ASSY (2) (SERVICE) (DVD106E/ DVD108/DVD108E/DVD608/DVD608E)

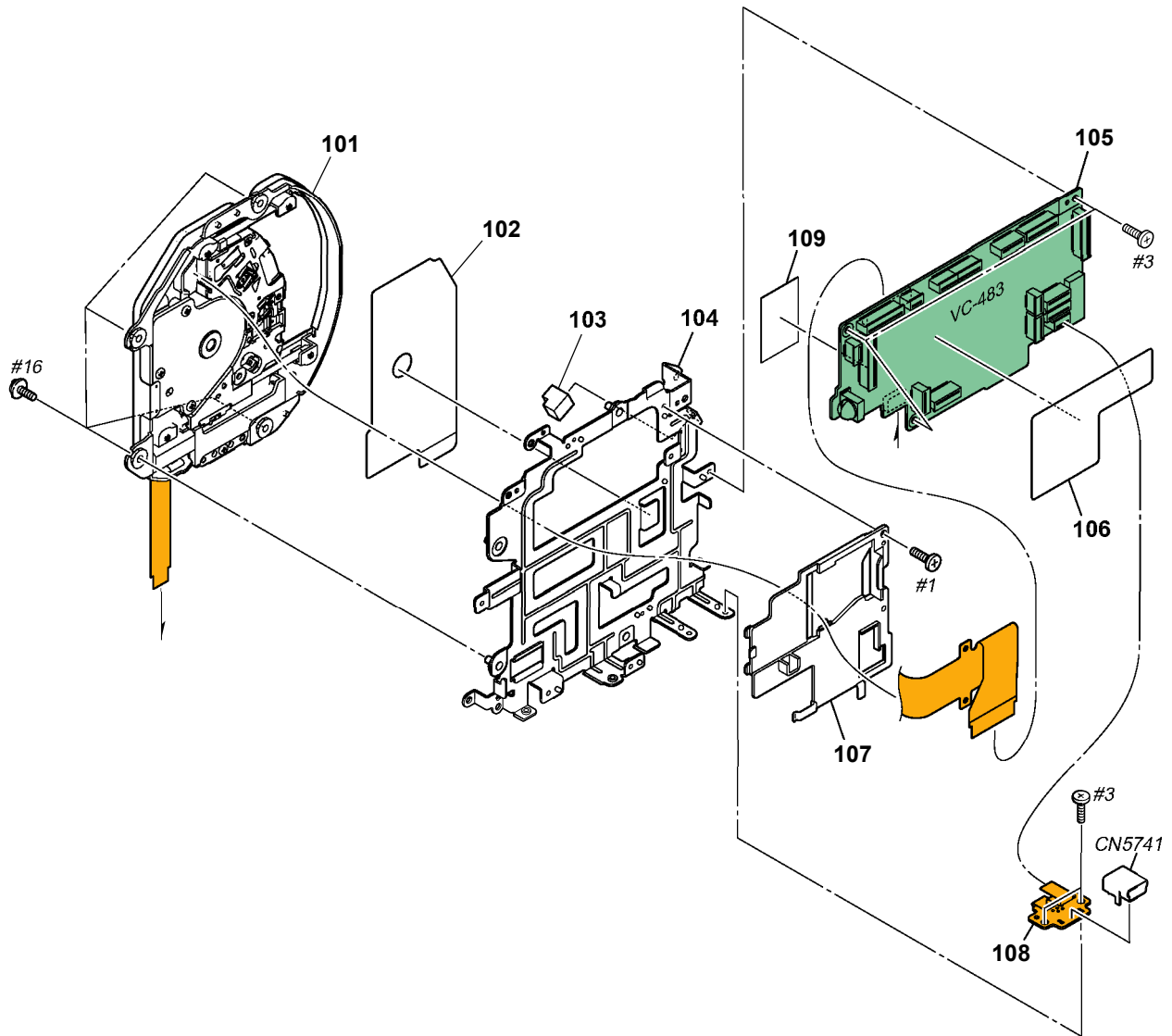
Ref. No.	Part No.	Description
56	A-1246-114-A	CABINET (L) ASSY (5.1) (SERVICE) (DVD109E)
57	3-941-343-01	TAPE (A)
58	A-1228-528-A	FP-569 FLEXIBLE BOARD, COMPLETE
M903	1-787-237-11	MOTOR UNIT (GEARD MOTOR)
#1	2-635-562-11	SCREW (M1.7) (Black)
#2	2-635-562-31	SCREW (M1.7) (Black)
#3	2-660-401-01	SCREW (M1.7), NEW TRU-STAR, P2 (Red)
#11	3-078-890-11	SCREW, TAPPING (Silver)

5. REPAIR PARTS LIST

DISASSEMBLY

HARDWARE LIST

5-1-3. MD BLOCK



• Refer to page 5-1 for mark Δ .

Ref. No.	Part No.	Description
Δ 101	A-1212-602-A	SERVICE (DDX-C20000) BLOCK ASSY
* 102	2-699-447-01	SHEET, VC BLIND
103	2-596-924-01	GASKET (MD)
104	X-2149-241-1	FRAME ASSY, MD
105	A-1234-140-A	VC-483 BOARD, COMPLETE (SERVICE) (DVD106E)
105	A-1234-141-A	VC-483 BOARD, COMPLETE (SERVICE) (DVD109E)
105	A-1234-142-A	VC-483 BOARD, COMPLETE (SERVICE) (DVD608E: E (Saudi Arabia, Kuwait model))
105	A-1234-144-A	VC-483 BOARD, COMPLETE (SERVICE) (DVD108/DVD108E/DVD608/DVD608E: Except E (Saudi Arabia, Kuwait model))

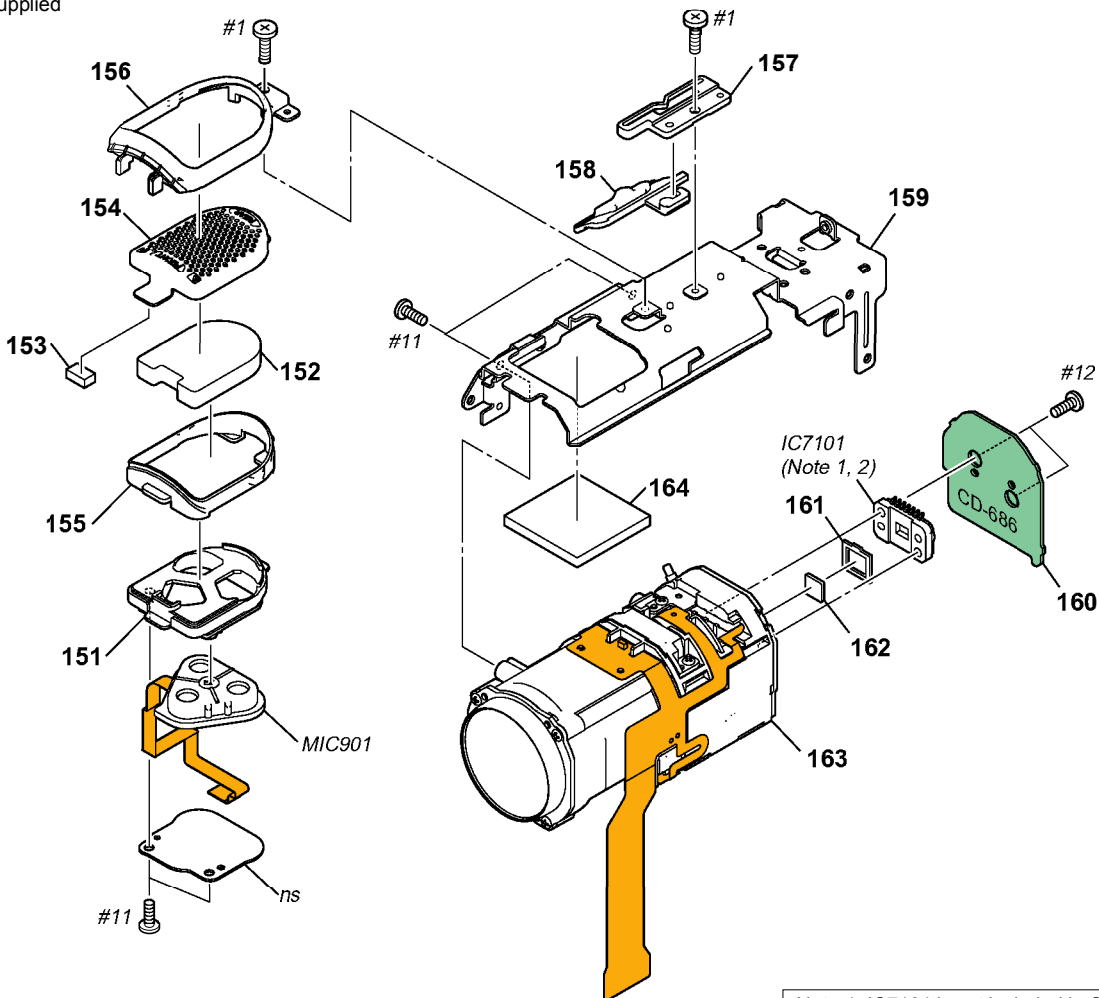
Ref. No.	Part No.	Description
106	2-699-448-01	LABEL, REPLACEMENT CAUTION
* 107	2-699-446-01	GUARD, OP FLEXIBLE
108	1-871-288-11	FP-574 FLEXIBLE BOARD
* 109	3-106-560-01	SHEET, VC PROTECTION
CN5741	1-794-962-11	CONNECTOR, SQUARE TYPE (USB 5P)
#1	2-635-562-11	SCREW (M1.7) (Black)
#3	2-660-401-01	SCREW (M1.7), NEW TRU-STAR, P2 (Red)
#16	2-586-337-01	SCREW, MD (Silver)

5. REPAIR PARTS LIST

HARDWARE LIST

5-1-4. LENS BLOCK

ns: not supplied



Note 1: IC7101 is not included in CD-686 complete board.

Note 2: Be sure to read "Precautions for Replacement of Imager" on page 4-3 when changing the imager.

Ref. No.	Part No.	Description
* 151	2-699-284-01	HOLDER, MICROPHONE
* 152	2-699-283-01	WINDSCREEN
* 153	2-898-042-01	GASKET (MIC)
154	2-699-281-01	GRILLE, MICROPHONE (DVD109E)
154	2-699-281-11	GRILLE, MICROPHONE (DVD106E/DVD108/ DVD108E/DVD608/DVD608E)
* 155	2-895-149-01	INSULATOR
156	2-699-282-01	CABINET, MICROPHONE
* 157	2-699-280-01	PLATE, NS CLICK
158	2-699-277-01	KNOB (221), NS
* 159	2-699-276-01	FRAME, LENS
160	A-1228-487-A	CD-686 BOARD, COMPLETE
161	2-318-138-01	RUBBER, SEAL 1070
162	1-788-242-11	OPTICAL FILTER BLOCK
163	1-788-514-11	OPTICAL UNIT (EG05A)

Ref. No.	Part No.	Description
* 164	3-097-649-01	CUSHION (MIC) (A)
IC7101	8-753-244-70	ICX610NKF-13 (CCD IMAGER) (DVD108/DVD608) (Note 1, 2)
IC7101	8-753-244-71	ICX611NKF-13 (CCD IMAGER) (DVD106E/ DVD108E/DVD109E/DVD608E) (Note 1, 2)
MIC901	1-542-711-21	MICROPHONE UNIT (DVD108: BR/ DVD608E: E (Saudi Arabia, Kuwait model))
MIC901	1-542-723-11	MICROPHONE UNIT (DVD109E)
MIC901	1-542-723-21	MICROPHONE UNIT (DVD106E/DVD108: US, CND, E, AR/DVD108E/ DVD608/DVD608E: Except E (Saudi Arabia, Kuwait model))
#1	2-635-562-11	SCREW (M1.7) (Black)
#11	3-078-890-11	SCREW, TAPPING (Silver)
#12	3-080-204-21	SCREW, TAPPING, P2 (Black)

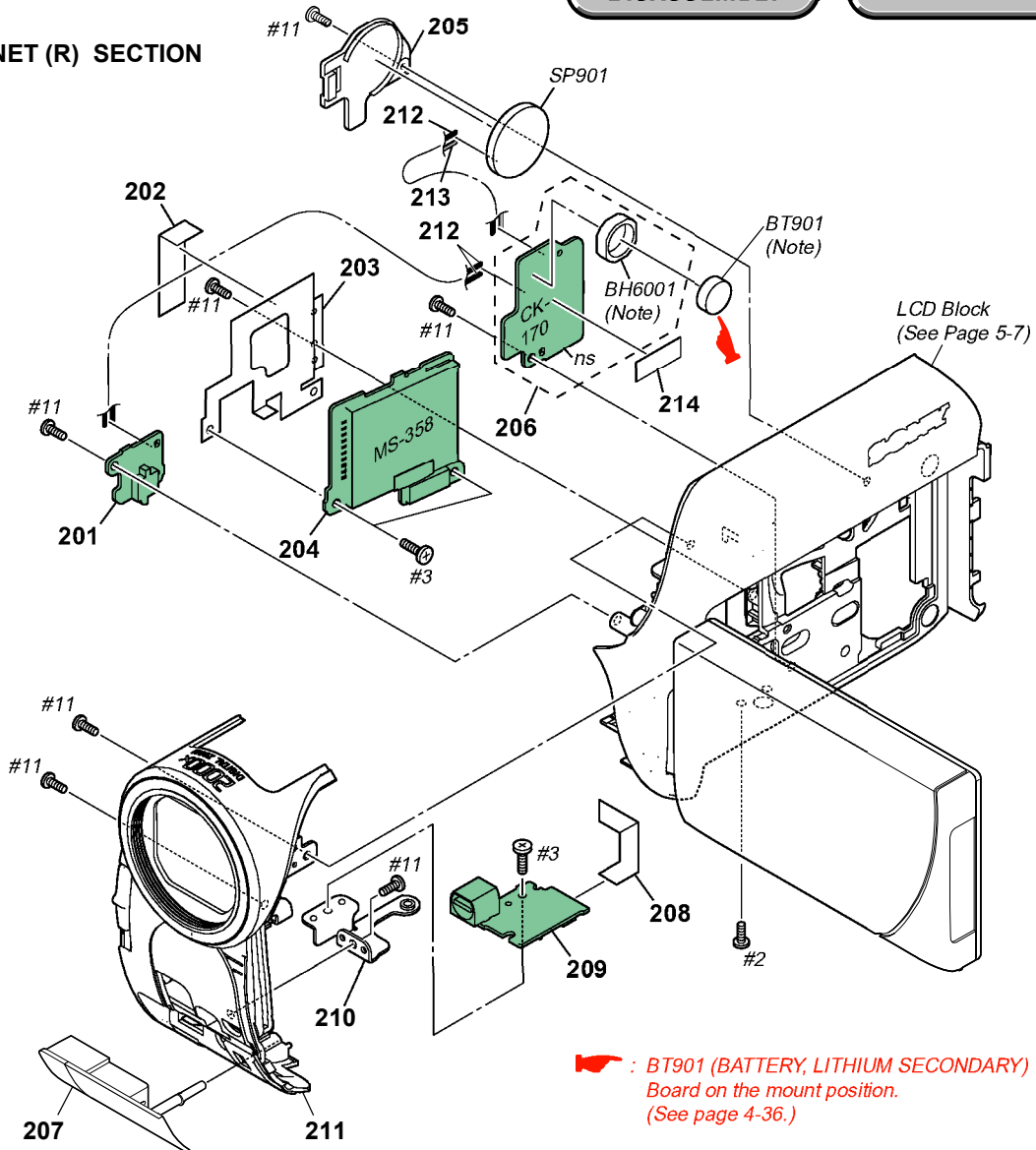
5. REPAIR PARTS LIST

DISASSEMBLY

HARDWARE LIST

5-1-5. CABINET (R) SECTION

ns: not supplied



BT901 (BATTERY, LITHIUM SECONDARY)
Board on the mount position.
(See page 4-36.)

Note: Replace the battery holder (BH6001) together when replacing the lithium battery (BT901) on the CK-170 board. (The battery holder removed once cannot be used again.)
When mounting these parts, mount new battery holder first and attach new lithium battery next.

CAUTION
Danger of explosion if battery is incorrectly replaced.
Replace only with the same or equivalent type.

• Refer to page 5-1 for mark Δ .

Ref. No.	Part No.	Description
201	A-1228-493-A	OC-001 BOARD, COMPLETE
202	3-941-343-01	TAPE (A)
* 203	2-699-221-01	PLATE, MS
204	A-1228-499-A	MS-358 BOARD, COMPLETE
* 205	2-699-220-01	RETAINER, SPEAKER
206	A-1228-497-A	CK-170 BOARD, COMPLETE
207	X-2149-256-1	COVER ASSY, JACK
208	1-833-678-11	CABLE, FLEXIBLE FLAT (FFC-007)
209	A-1228-485-A	JK-319 BOARD, COMPLETE (DVD106E/ DVD108/DVD108E/DVD608/DVD608E)
209	A-1228-486-A	JK-319 BOARD, COMPLETE (DVD109E)
* 210	2-886-110-01	FRAME, JACK

Ref. No.	Part No.	Description
211	A-1234-458-A	PANEL ASSY (221), F
212	1-964-964-11	HARNESS (HN-022) (Black)
213	1-964-965-11	HARNESS (HN-023) (Red)
* 214	3-113-687-01	SHEET (CK)
Δ BH6001	1-756-615-41	HOLDER, BATTERY (Note)
Δ BT901	1-756-134-12	BATTERY, STORAGE, LITHIUM ION (Note)
SP901	1-825-260-41	LOUD SPEAKER (1.6CM)
#2	2-635-562-31	SCREW (M1.7) (Black)
#3	2-660-401-01	SCREW (M1.7), NEW TRU-STAR, P2 (Red)
#11	3-078-890-11	SCREW, TAPPING (Silver)

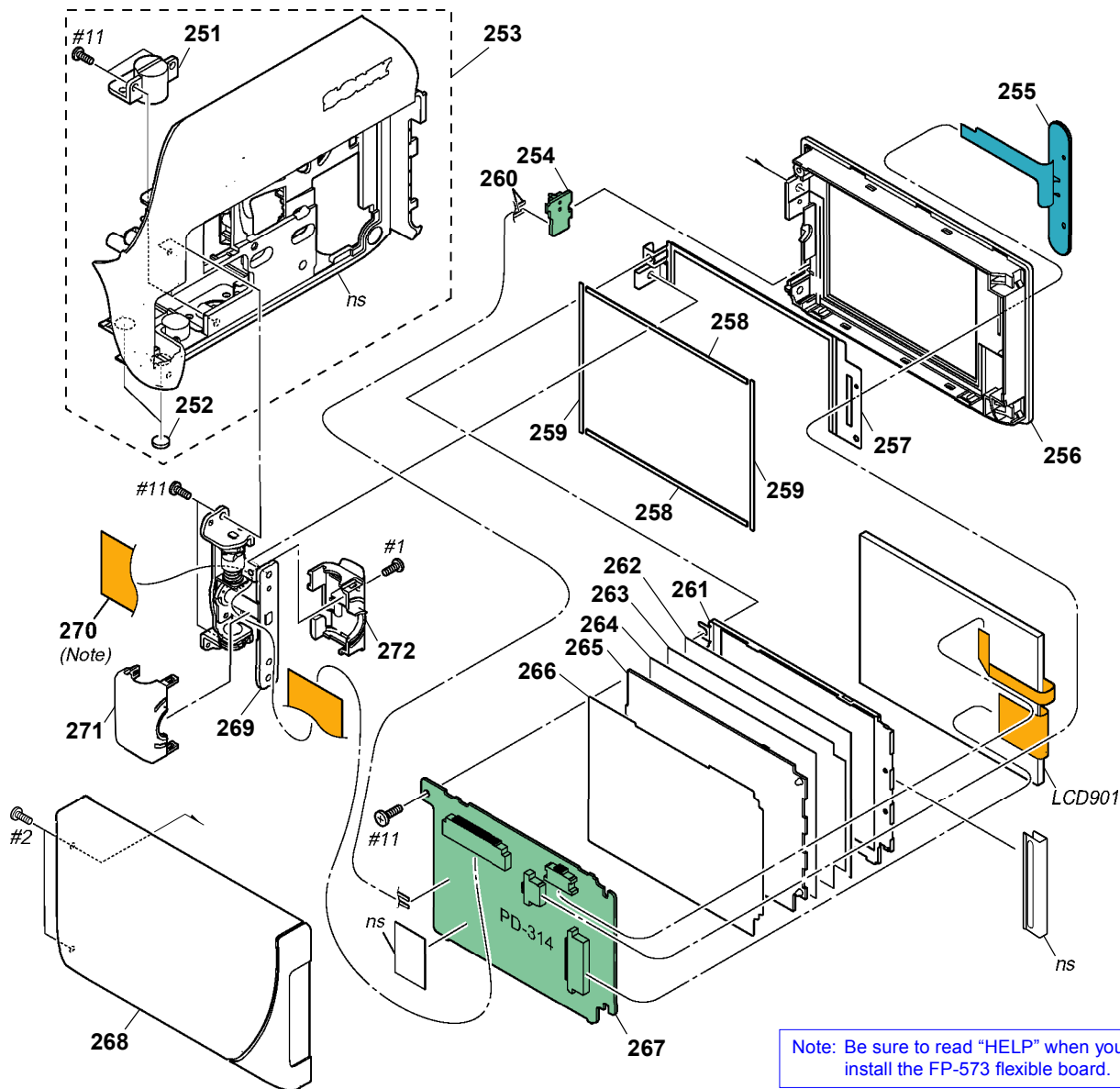
5. REPAIR PARTS LIST

DISASSEMBLY

HARDWARE LIST

5-1-6. LCD BLOCK

ns: not supplied



Ref. No.	Part No.	Description
251	2-699-212-01	SCREW, TRIPOD
252	2-589-376-01	FOOT (395), RUBBER
253	A-1246-116-A	CABINET(R) ASSY(221) (SERVICE)
254	A-1228-491-A	RV-001 BOARD, COMPLETE
255	1-479-926-11	SWITCH BLOCK, CONTROL (SB22100)
256	2-699-200-01	CABINET (M (221)), P
* 257	2-699-202-01	PLATE (221), GROUND
* 258	2-699-204-01	CUSHION (H (221)), PANEL
* 259	2-699-206-01	CUSHION (V (221)), PANEL
260	1-964-966-11	HARNESS (HN-024)
261	2-694-511-01	FRONT FRAME (2.5)
262	2-694-507-01	PRISM SHEET V (2.5)
263	2-694-508-01	PRISM SHEET H (2.5)
264	2-694-509-01	DIFFUSION SHEET (2.5)
265	2-666-791-01	LIGHT GUIDE (2.5)

Ref. No.	Part No.	Description
266	2-694-510-01	REFLECTION SHEET (2.5)
267	A-1228-489-A	PD-314 BOARD, COMPLETE
268	2-699-199-01	CABINET (C), P (DVD108/DVD108E)
268	2-699-199-21	CABINET (C), P (DVD106E)
268	2-699-199-31	CABINET (C), P (DVD109E)
268	2-699-199-41	CABINET (C), P (DVD608/DVD608E)
269	X-2149-207-1	HINGE ASSY (M), PANEL
270	1-871-287-11	FP-573 FLEXIBLE BOARD (Note)
271	2-699-222-02	COVER (C), HINGE
272	2-699-223-02	COVER (M), HINGE
LCD901	A-1149-654-A	TP BLOCK ASSY (25STMG06)
#1	2-635-562-11	SCREW (M1.7) (Black)
#2	2-635-562-31	SCREW (M1.7) (Black)
#11	3-078-890-11	SCREW, TAPPING (Silver)

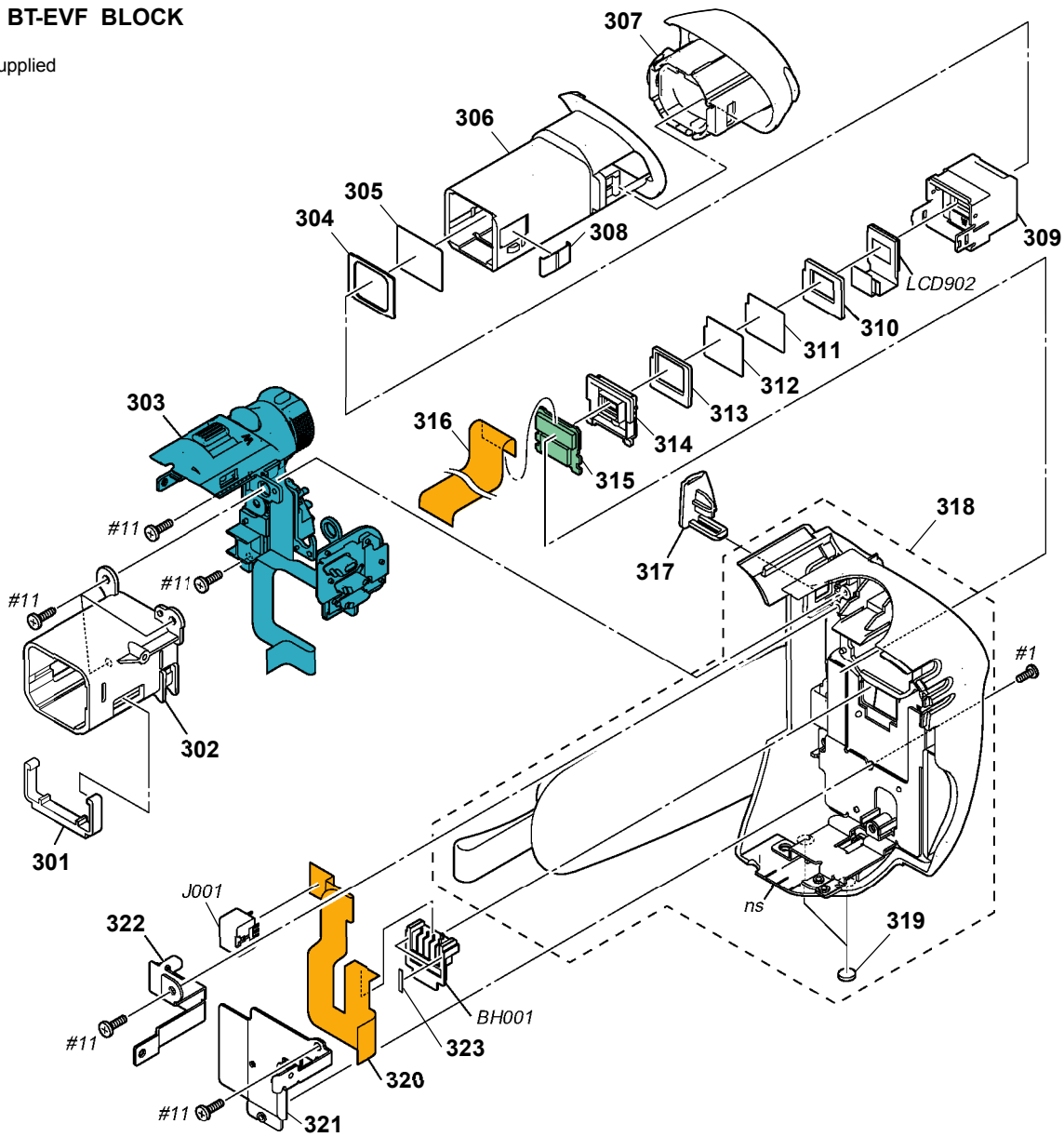
Note: Be sure to read "HELP" when you install the FP-573 flexible board.

5. REPAIR PARTS LIST

HARDWARE LIST

5-1-7. BT-EVF BLOCK

ns: not supplied



Ref. No.	Part No.	Description
301	2-699-239-01	STOPPER, VF
302	2-699-238-01	CABINET, VF SLIDE
303	1-479-927-11	SWITCH BLOCK, CONTROL (PS22100)
* 304	2-654-871-01	CUSHION (CF)
* 305	2-638-813-01	PLATE (CF), DEFLECTION
306	2-699-226-01	CABINET, VF
307	X-2149-208-1	EYE CUP ASSY (221)
308	2-699-240-01	SPRING, VF SLIDE
309	2-668-133-01	CABINET, INNER
* 310	2-638-815-01	SPACER, LCD
* 311	2-638-816-01	PLATE (TFT), DEFLECTION
* 312	2-638-818-01	ILLUMINATOR
* 313	2-638-819-01	CUSHION, LCD
* 314	2-638-820-01	GUIDE, LAMP
315	A-1228-495-A	BL-006 BOARD, COMPLETE

Ref. No.	Part No.	Description
316	1-871-285-11	FP-571 FLEXIBLE BOARD
317	2-699-246-01	COVER, DC (IN)
318	A-1246-110-A	BT PANEL ASSY (E) (SERVICE)
319	2-589-376-01	FOOT (395), RUBBER
320	1-871-284-11	FP-570 FLEXIBLE BOARD
* 321	2-699-244-01	PLATE (UPPER), BT PANEL
* 322	2-699-279-01	SHEET METAL, DC (IN)
* 323	3-208-237-01	SHEET (BT)
BH001	1-780-064-21	BATTERY TERMINAL BOARD
J001	1-815-792-11	CONNECTOR, DC-IN (7.2V)
LCD902	8-753-245-09	LCX059CCK-1
#1	2-635-562-11	SCREW (M1.7) (Black)
#11	3-078-890-11	SCREW, TAPPING (Silver)

5-2. ELECTRICAL PARTS LIST

Ref. No.	Part No.	Description
	A-1228-495-A	BL-006 BOARD, COMPLETE *****
		< CAPACITOR >
C5901	1-125-777-11	CERAMIC CHIP 0.1uF 10% 10V
C5902	1-165-908-11	CERAMIC CHIP 1uF 10% 10V
		< CONNECTOR >
CN5901	1-818-046-51	CONNECTOR, FFC/FPC 20P
* CN5902	1-817-560-71	CONNECTOR, FPC (ZIP) 21P
		< DIODE >
D5901	6-500-941-01	DIODE MAZS056008S0
* D5902	6-501-591-01	DIODE NESW007AT-T099 (BACKLIGHT)
		< RESISTOR >
R5904	1-218-989-11	RES-CHIP 1M 5% 1/16W
	A-1228-487-A	CD-686 BOARD, COMPLETE ***** (IC7101 is not included in CD-686 complete board.)
		< CAPACITOR >
C7101	1-124-779-00	ELECT CHIP 10uF 20% 16V
C7103	1-100-567-81	CERAMIC CHIP 0.01uF 10% 25V
C7104	1-124-779-00	ELECT CHIP 10uF 20% 16V
		< CONNECTOR >
* CN7101	1-818-045-51	CONNECTOR, FFC/FPC 14P
		< IC >
IC7101	8-753-244-70	ICX610NKF-13 (CCD IMAGER) (DVD108/DVD608) (Note 1)
IC7101	8-753-244-71	ICX611NKF-13 (CCD IMAGER) (DVD106E/DVD108E/DVD109E/DVD608E) (Note 1)
		< COIL >
L7101	1-400-588-11	INDUCTOR 10uH
		< TRANSISTOR >
Q7101	8-729-423-55	TRANSISTOR 2SC3931-D
		< RESISTOR >
R7101	1-218-959-11	RES-CHIP 3.3K 5% 1/16W
R7103	1-218-937-11	RES-CHIP 47 5% 1/16W
	A-1228-497-A	CK-170 BOARD, COMPLETE ***** (BT901 (lithium battery) is not included in CK-170 complete board.)
		< BATTERY HOLDER >
△ BH6001	1-756-615-41	HOLDER, BATTERY (Note 2)

• Refer to page 5-1 for mark △.

Ref. No.	Part No.	Description
		< BATTERY >
△ BT901	1-756-134-12	BATTERY, STORAGE, LITHIUM ION (Note 2)
		< CONNECTOR >
CN6001	1-816-644-51	FFC/CONNECTOR, FPC (LIF) 12P
		< DIODE >
D6004	8-719-064-07	DIODE SML-310LTT86 (MS ACCESS)
		< SWITCH >
S6001	1-786-157-11	TACTILE SWITCH (RESET)
S6002	1-786-157-11	TACTILE SWITCH (DISP/BATT INFO)
	A-1228-528-A	FP-569 FLEXIBLE BOARD, COMPLETE *****
		< DIODE >
D5691	8-719-064-07	DIODE SML-310LTT86 (ACCESS)
		< SWITCH >
S5691	1-786-148-11	SWITCH, PUSH (1 KEY) (OPEN)
S5692	1-786-148-11	SWITCH, PUSH (1 KEY) (LID OPEN)
S5693	1-786-148-11	SWITCH, PUSH (1 KEY) (LID OPEN)
S5694	1-786-179-31	SWITCH, PUSH (1 KEY) (EJECT DET)
	1-871-284-11	FP-570 FLEXIBLE BOARD ***** (BH001 and J001 are not included in FP-570 flexible board.)
		< BATTERY TERMINAL >
BH001	1-780-064-21	BATTERY TERMINAL BOARD
		< JACK >
J001	1-815-792-11	CONNECTOR, DC-IN (7.2V)
	1-871-288-11	FP-574 FLEXIBLE BOARD ***** (CN5741 is not included in FP-574 flexible board.)
		< CONNECTOR >
CN5741	1-794-962-11	CONNECTOR, SQUARE TYPE (USB 5P)

CAUTION

Danger of explosion if battery is incorrectly replaced.
Replace only with the same or equivalent type.

Note 1: Be sure to read "Precautions for Replacement of Imager" on page 4-3 when changing the imager.

Note 2: Replace the battery holder (BH6001) together when replacing the lithium battery (BT901) on the CK-170 board. (The battery holder removed once cannot be used again.)
When mounting these parts, mount new battery holder first and attach new lithium battery next.

JK-319**MS-358****OC-001****PD-314****RV-001**

Ref. No.	Part No.	Description
A-1228-485-A	JK-319 BOARD, COMPLETE (DVD106E/ DVD108/DVD108E/DVD608/DVD608E)	
A-1228-486-A	JK-319 BOARD, COMPLETE (DVD109E)	*****
< CAPACITOR >		
C7301	1-164-935-11	CERAMIC CHIP 470PF 10% 50V
C7302	1-164-935-11	CERAMIC CHIP 470PF 10% 50V
< CONNECTOR >		
CN7301	1-815-794-13	CONNECTOR (MULTIPLE) (A/V OUT)
CN7302	1-816-644-51	FFC/CONNECTOR, FPC (LIF) 12P
< FERRITE BEAD >		
FB7303	1-400-833-21	SMD EMI FERRITE
FB7305	1-400-927-31	BEAD, FERRITE (1005)
FB7306	1-400-927-31	BEAD, FERRITE (1005)
< VARISTOR >		
* VD7302	1-802-279-11	VARISTOR (SMD)
* VD7303	1-802-279-11	VARISTOR (SMD)
* VD7305	1-802-279-11	VARISTOR (SMD)

A-1228-499-A MS-358 BOARD, COMPLETE

< CONNECTOR >

CN7401	1-819-611-21	MEMORY STICK DUO CONNECTOR 10P
CN7402	1-816-646-51	FFC/CONNECTOR, FPC (LIF) 16P

< FERRITE BEAD >

FB7401	1-469-580-11	INDUCTOR, FERRITE BEAD (1005)
FB7402	1-469-580-11	INDUCTOR, FERRITE BEAD (1005)
FB7403	1-469-580-11	INDUCTOR, FERRITE BEAD (1005)
FB7404	1-469-580-11	INDUCTOR, FERRITE BEAD (1005)

< RESISTOR >

R7404	1-218-942-11	RES-CHIP 120 5% 1/16W
R7405	1-218-942-11	RES-CHIP 120 5% 1/16W
R7406	1-218-942-11	RES-CHIP 120 5% 1/16W
R7407	1-218-942-11	RES-CHIP 120 5% 1/16W

A-1228-493-A OC-001 BOARD, COMPLETE

< SWITCH >

* S7601	1-786-545-41	SWITCH, PUSH LEVER (S) (PANEL OPEN/CLOSE)
---------	--------------	--

A-1228-489-A PD-314 BOARD, COMPLETE

< CAPACITOR >

C6402	1-100-581-81	CERAMIC CHIP 0.0047uF 10% 50V
C6403	1-100-581-81	CERAMIC CHIP 0.0047uF 10% 50V
C6405	1-165-908-11	CERAMIC CHIP 1uF 10% 10V
C6406	1-125-777-11	CERAMIC CHIP 0.1uF 10% 10V

Ref. No.	Part No.	Description
< CONNECTOR >		
CN6401	1-818-072-51	CONNECTOR, FFC/FPC (ZIF) 30P
* CN6402	1-818-069-51	CONNECTOR, FFC/FPC (ZIF) 6P
CN6404	1-573-915-51	CONNECTOR, FFC/FPC (ZIF) 6P
CN6405	1-818-071-51	CONNECTOR, FFC/FPC (ZIF) 24P
< DIODE >		
D6402	6-500-941-01	DIODE MAZS056008S0
* D6403	6-501-476-01	DIODE NSSW008CT-T071 (BACKLIGHT)
* D6404	6-501-476-01	DIODE NSSW008CT-T071 (BACKLIGHT)
* D6405	6-501-476-01	DIODE NSSW008CT-T071 (BACKLIGHT)
< TRANSISTOR >		
Q6401	8-729-427-67	TRANSISTOR XP421F-TXE
Q6402	8-729-427-37	TRANSISTOR XP411F-TXE
< RESISTOR >		
R6401	1-218-954-11	RES-CHIP 1.2K 5% 1/16W
R6402	1-218-955-11	RES-CHIP 1.5K 5% 1/16W
R6403	1-218-957-11	RES-CHIP 2.2K 5% 1/16W
R6407	1-218-989-11	RES-CHIP 1M 5% 1/16W

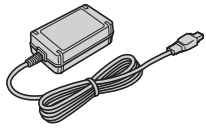
A-1228-491-A RV-001 BOARD, COMPLETE

< SWITCH >

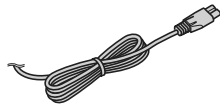
S7502	1-786-180-31	SWITCH, PUSH (1 KEY) (PANEL REVERSE)
-------	--------------	--------------------------------------

Electrical parts list of the VC-483 board is not shown.
Pages 5-11 to 5-17 are not shown.

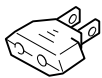
Checking supplied accessories.



AC Adaptor
(AC-L200/L200B)
* Compatible in
L200 and L200B.
▲ 1-479-285-21



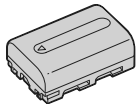
Power Cord
▲ 1-555-074-91 (AUS)
▲ 1-782-476-71 (CH)
▲ 1-823-945-41 (US, CND)
▲ 1-827-269-31 (UK, HK)
▲ 1-827-826-41 (AEP, EE, NE,
E: PAL, E: NTSC (Latin America))
▲ 1-830-518-41 (E: NTSC (Except
Latin America))
▲ 1-832-106-31 (AR)



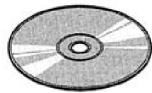
Conversion (2P) Adaptor
▲ 1-569-008-12
(E: NTSC (Latin America))



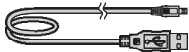
Conversion (2P) Adaptor
▲ 1-569-007-12
(E: NTSC (Except Latin America))



Rechargeable Battery Pack
NP-FH40
▲ A-1201-658-A (US, CND)
▲ A-1201-659-A
(EXCEPT US, CND, CH)
▲ A-1201-660-A (CH)



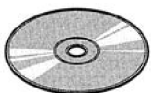
CD-ROM
"Handycam Application Software"
3-093-590-02



USB Cable
1-829-868-31



A/V Connecting Cable
1-831-553-11



DVD-ROM
"ENJOY HANDYCAM"
3-093-691-11 (US, CND, E, AR)
ENGLISH / FRENCH / SPANISH / PORTUGUESE
3-093-691-21 (UK, EE, NE)
ENGLISH / RUSSIAN / GERMAN
3-093-691-31 (AEP)
ENGLISH / SPANISH / PORTUGUESE / ITALIAN
3-093-691-41 (AEP)
ENGLISH / FRENCH / PORTUGUESE / DUTCH
3-093-691-61 (E, HK, AUS, CH)
ENGLISH / FRENCH / SIMPLIFIED CHINESE for CHINA /
TRADITIONAL CHINESE for HONG KONG
3-093-691-71 (E)
ENGLISH / TRADITIONAL CHINESE for TAIWAN / SPANISH / PORTUGUESE

Other accessories

- 2-319-496-11 MANUAL, INSTRUCTION (ENGLISH)
(DVD108: US, CND/DVD608: E)
2-319-496-21 MANUAL, INSTRUCTION (FRENCH) (DVD108: CND)
2-319-496-31 MANUAL, INSTRUCTION (SPANISH) (DVD108: E, AR)
2-319-496-51 MANUAL, INSTRUCTION (TRADITIONAL CHINESE)
(DVD608: E)
2-319-497-11 MANUAL, INSTRUCTION (ENGLISH)
(DVD106E: AEP, UK/DVD109E: AEP, UK/
DVD608E: E, HK, AUS)
2-319-497-21 MANUAL, INSTRUCTION (FRENCH) (DVD106E: AEP/
DVD109E: AEP)
2-319-497-31 MANUAL, INSTRUCTION (GERMAN, DUTCH)
(DVD106E: AEP/DVD109E: AEP)
2-319-497-41 MANUAL, INSTRUCTION (TURKISH)
(DVD106E: EE/DVD109E: EE)
2-319-497-51 MANUAL, INSTRUCTION (SPANISH, PORTUGUESE)
(DVD106E: AEP/DVD109E: AEP)
2-319-497-61 MANUAL, INSTRUCTION (ITALIAN, GREEK)
(DVD106E: AEP/DVD109E: AEP)
2-319-497-71 MANUAL, INSTRUCTION (RUSSIAN, SWEDISH)
(DVD106E: NE/DVD108E: NE/DVD109E: NE)
2-319-497-81 MANUAL, INSTRUCTION (DANISH, FINNISH)
(DVD106E: NE/DVD108E: NE/DVD109E: NE)
2-319-497-91 MANUAL, INSTRUCTION (POLISH, CZECH)
(DVD106E: EE/DVD109E: EE)
2-319-498-11 MANUAL, INSTRUCTION (HUNGARIAN, SLOVAK)
(DVD106E: EE/DVD109E: EE)
2-319-498-21 MANUAL, INSTRUCTION (SIMPLIFIED CHINESE)
(DVD608E: E, CH)
2-319-498-61 MANUAL, INSTRUCTION (TRADITIONAL CHINESE)
(DVD608E: HK)
2-319-498-71 MANUAL, INSTRUCTION (ARABIC, PERSIAN)
(DVD608E: E)

• Refer to page 5-1 for mark ▲.