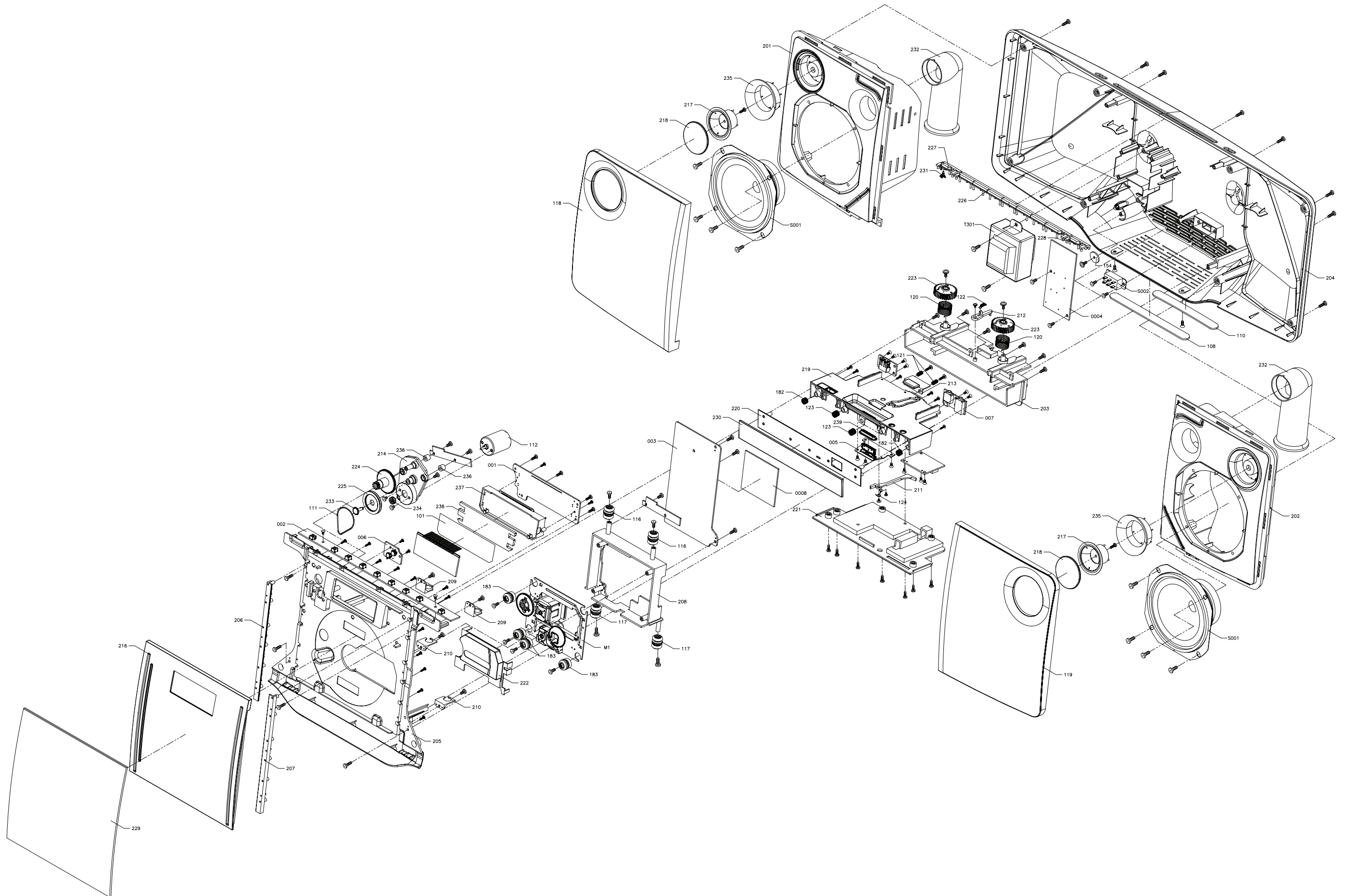


SET EXPLODED VIEW



MECHANICAL PARTSLIST(only for /12)

0004	996510029094	PCBA-POWER
0008	996510029085	PCBA-MCU
120	996510029106	GEAR SPRING
121	996510029107	COMPRESS SPRING FOR BLOCK
122	996510026713	EXTEN SPRING (SUS304)
123	996510026718	COMPRESS SPRING FOR PIN
124	996510029102	SPRING DRAWER
145	996510028896	HARDEN SCREW SMN TsA D103x25mm
182	996510029095	COMPRESS SPRING SHORT
201	996510026728	LEFT SPK FRONT
202	996510026714	RIGHT SPK FRONT
203	996510026752	DRAWER BASE
204	996510029087	REAR CABINET
205	996510026706	CD TRAY
206	996510026708	DOOR HOLDER -LEFT
207	996510026753	DOOR HOLDER -RIGHT
208	996510026732	DOUBLE BRACKET
209	996510026721	HOLDER CDM TOP
210	996510026745	HOLDER CDM
211	996510026709	LOCATION LEVER
212	996510026719	MOVE LEVER
213	996510026726	PUSH BLOCK
214	99400002832	MOTOR BRACKET
216	996510026716	CD DOOR
217	996510026734	COSMETIC TUBE
218	996510026733	COSMETIC COVER
219	996510026724	MOVE DRAWER TOP
220	996510026741	DRAWER MOVE COVER
221	996510026707	MOVE DRAWER BOTTOM
222	99400004392	LASER COVER (FOR SANYO CD)
223	996510026751	GEAR
224	996510027146	DRIVING GEAR
225	996510027147	DRIVER PULLEY GEAR
226	996510026731	TOP KEYS
227	996510026754	POWER ON KEYS
228	996510026727	EJECT KEYS
229	996510029099	DOOR LENS
230	996510026722	IPOD DOOR LENS
231	996510026736	LED LIGHT GUIDE LENS
234	99400002818	DOOR MOTOR PULLY
235	996510026717	COSMETIC RING
1230	996510012604	CONNECTOR SLEEVE
J001	996500040405	16P FFC 1mm L=60mm
J003	996510029088	11P FFC 1mm L=60mm (AB)
J008	△ 996510029098	AC CORD VDE APP 2M H03VVH2-F
J011	996510029101	30P FFC 1mm L=85mm (AA)
M1	996510026711	CD MECHANISM(SANYO) DA11B3VZSS
S001	996510030612	SPEAKER 4" 5W SINGLE
T301	△ 996510029093	TRANSFORMER EI57 230V

ACCESSORIES

RC	996510028965	REMOTE CONTROL
J009	996510002089	CONN. CORD 3.5 ST/PLUGx2 500mm

Note: Only these parts mentioned in the list are normal service parts.

ELECTRICAL PARTSLIST(only for /12)**MAIN BOARD ASSEMBLY**

IC101	996510023928	IC SI4703-C19-GM
Q101	994000004145	TRANSISTORS B772Y (160-320)
Q105	996510020216	TRANSISTORS D882F
Q119	994000004145	TRANSISTORS B772Y (160-320)
Q126	994000004145	TRANSISTORS B772Y (160-320)
U102	996500039806	IC ET2314 (SOP28)
U103	996510018962	IC UTC7805
U203	996510008325	IC (LIBERAL) SC1308-01
U206	996510029105	AMP IC TDA7491P (SSO-36)
U801	996510009311	IC BU9543KV (SMD)
U802	996510009310	IC BA5826FP
U803	996510002119	IC TA7291S
U804	994000001247	IC HEF4094BT
X101	996500042441	X'TAL 32.768KHZ -20PPM
X801	994000004551	CRYSTAL 16.9344MHZ +-20PPM

DISPLAY BOARD ASSEMBLY

LCD401	996510026755	LCD DISPLAY (SHD1911-TP-1)
LED401	996500042438	LED LAMP 2x5x7mm (WHITE)
LED402	996500042438	LED LAMP 2x5x7mm (WHITE)
LED404	996500042438	LED LAMP 2x5x7mm (WHITE)
LED405	996500042438	LED LAMP 2x5x7mm (WHITE)
U401	996510020783	IC ET8862Q

KEY BOARD ASSEMBLY

LED403	996510026705	LED LAMP 3mm
SW401	996500042444	TACT SWITCH 6x6mm 4.3mm
SW402	996500042444	TACT SWITCH 6x6mm 4.3mm
SW403	996500042444	TACT SWITCH 6x6mm 4.3mm
SW404	996500042444	TACT SWITCH 6x6mm 4.3mm
SW405	996500042444	TACT SWITCH 6x6mm 4.3mm
SW406	996500042444	TACT SWITCH 6x6mm 4.3mm
SW407	996500042444	TACT SWITCH 6x6mm 4.3mm
SW408	996500042444	TACT SWITCH 6x6mm 4.3mm
SW409	996500042444	TACT SWITCH 6x6mm 4.3mm

ELECTRICAL PARTSLIST(only for /12)**MOTOR BOARD ASSEMBLY**

SW801	994000004552	DETECT SWITCH
SW802	994000004552	DETECT SWITCH

IPOD BOARD ASSEMBLY

IPOD901	996510018114	IPOD SOCKET 0.5MM 30P 180C
---------	--------------	----------------------------

CONNECT BOARD ASSEMBLY

JK902	994000004369	PHONE JACK TC38-063-05-0
JK903	996510012048	PHONE JACK D3.6mm
P801	996510023905	OPTIC SENSER FM-9038TM2-5AN
USB901	996510026748	USB SOCKET 4P USB-1400-060-010

Note: Only these parts mentioned in the list are normal service parts.

Service Service Service

This service manual is for DCM278/12/37/79/05.
Second Generation model, which is different from the
previous generation models.
For Second Generation model, the serial number begins
with: LM1E1035020619(for -/37)
LM1D1034043544(for -/12)
LM1A1035000001(for -/79)



Service Manual



CONTENTS

Technical specification	1-2
Service measurement setup.....	1-3
Service aids	1-4
Instructions on CD playability	2-1..2-2
Block diagram.....	3-1
Wiring diagram.....	4-1
Disassembly diagram.....	5-1
Main & Power board	
Circuit diagram	6-1..6-2
Layout diagram.....	6-3..6-5
Display & Key & Ipod board	
Circuit diagram	7-1
Layout diagram.....	7-2..7-3
Exploded view diagram	8-1
Spare parts list	9-1

© Copyright 2010 Philips Consumer Electronics B.V. Eindhoven, The Netherlands
All rights reserved. No part of this publication may be reproduced, stored in a retrieval
system or transmitted, in any form or by any means, electronic, mechanical, photocopying,
or otherwise without the prior permission of Philips.



TECHNICAL SPECIFICATION

Sound

- Sound Enhancement: Digital Sound Control 4 modes, Dynamic Bass Boost
- Volume Control: Volume Control up/down
- Output power (RMS): 2 x 5 W

Loudspeakers

- Main Speaker: Bass Reflex Speaker System, 4" woofer
- Built-in speakers: 2

Audio Playback

- Playback Media: CD, CD-R, CD-RW, MP3-CD, WMA-CD, USB flash drive
- Disc Playback Modes: Repeat/one/all/program, Shuffle Play, 20-Track Programmable, Fast Forward/Backward, Next/Previous Track Search
- Loader Type: Front, Motorised
- ID3-tag support
- USB Direct Modes: Fast Backward/Fast Forward, Play/Pause, Previous/Next, Program Play, Repeat, Shuffle, Stop
- Cradle playback mode: Charging iPhone, Charging iPod, Fast forward and backward, Next and Previous track, Play and Pause

Tuner/Reception/Transmission

- Tuner Bands: FM Stereo
- Auto digital tuning
- Tuner Enhancements: Auto Store
- Station presets: 20
- RDS: Program Type, RDS Clock Set, Station Name

Connectivity

- Headphone: 3.5 mm
- Other connections: FM Antenna
- 3.5mm stereo line in: MP3 Link

Convenience

- Alarms: CD Alarm, Radio Alarm, Sleep timer, USB alarm, iPod Alarm
- Clock: On main display
- Display Type: LCD
- Eco Power Standby: 1 watt

Accessories

- Included Accessories: World Wide Warranty leaflet
- Quick start guide: English, German, Dutch, French, Spanish, Italian
- Remote control: 31-key remote
- User Manual: 16 languages
- Cables: MP3 line-in cable

Dimensions

- Packaging dimensions (W x H x D): 614 x 310 x 159 mm
- Set dimensions (W x H x D): 542 x 238 x 102 mm
- Weight incl. Packaging: 5.4 kg

Power

- Power supply: 220-240V, 50Hz

iPod compatibility

- Compatible with: iPod, iPod 5th Generation, iPod classic, iPod mini, iPod nano 1st Generation, iPod nano 2nd Generation, iPod nano 3rd Generation, iPod nano 4th Generation, iPod touch, iPod touch 2nd Generation, iPod with color display

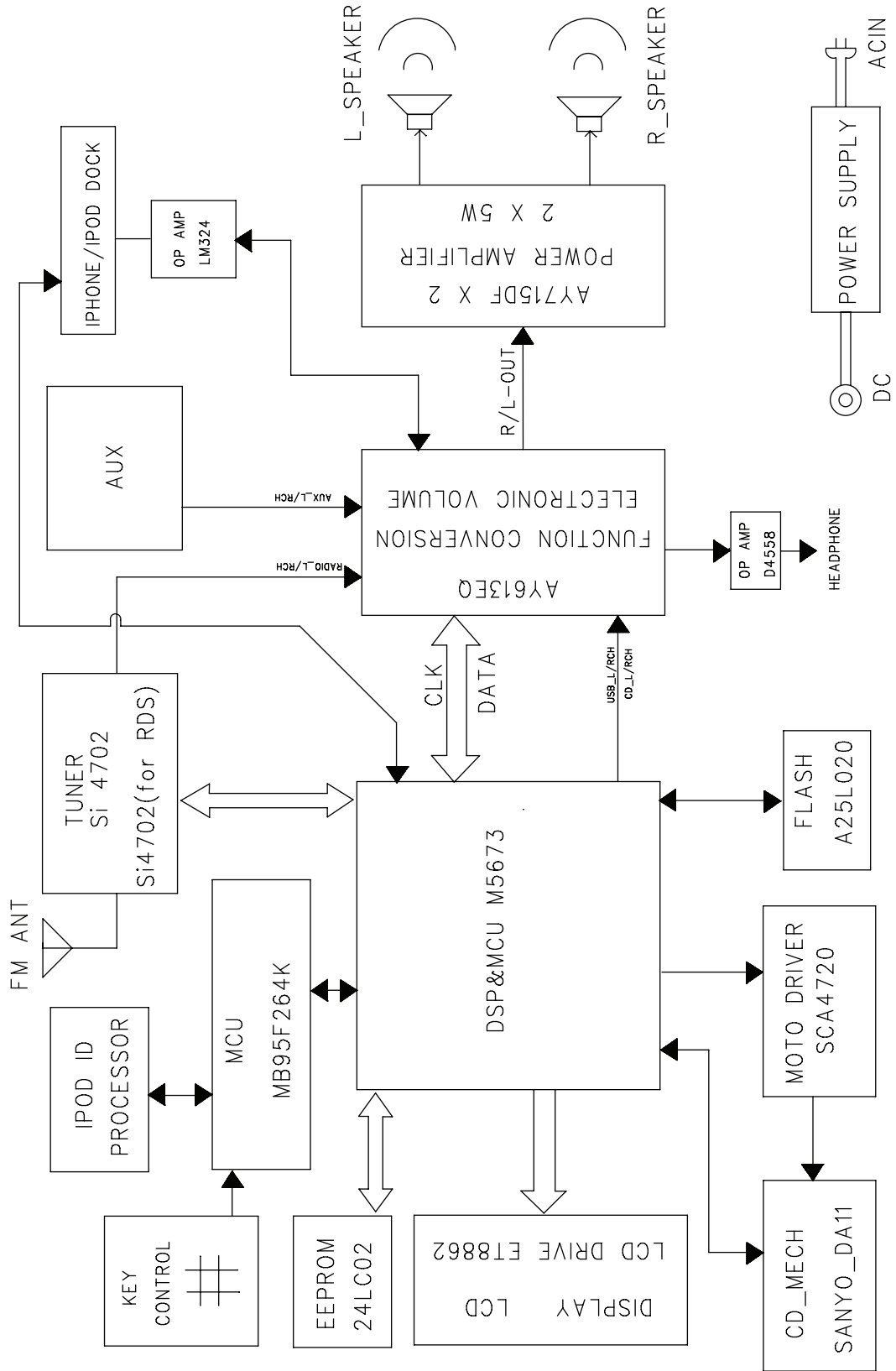
iPhone compatibility

- Compatible with: iPhone, iPhone 3G, iPhone 3GS

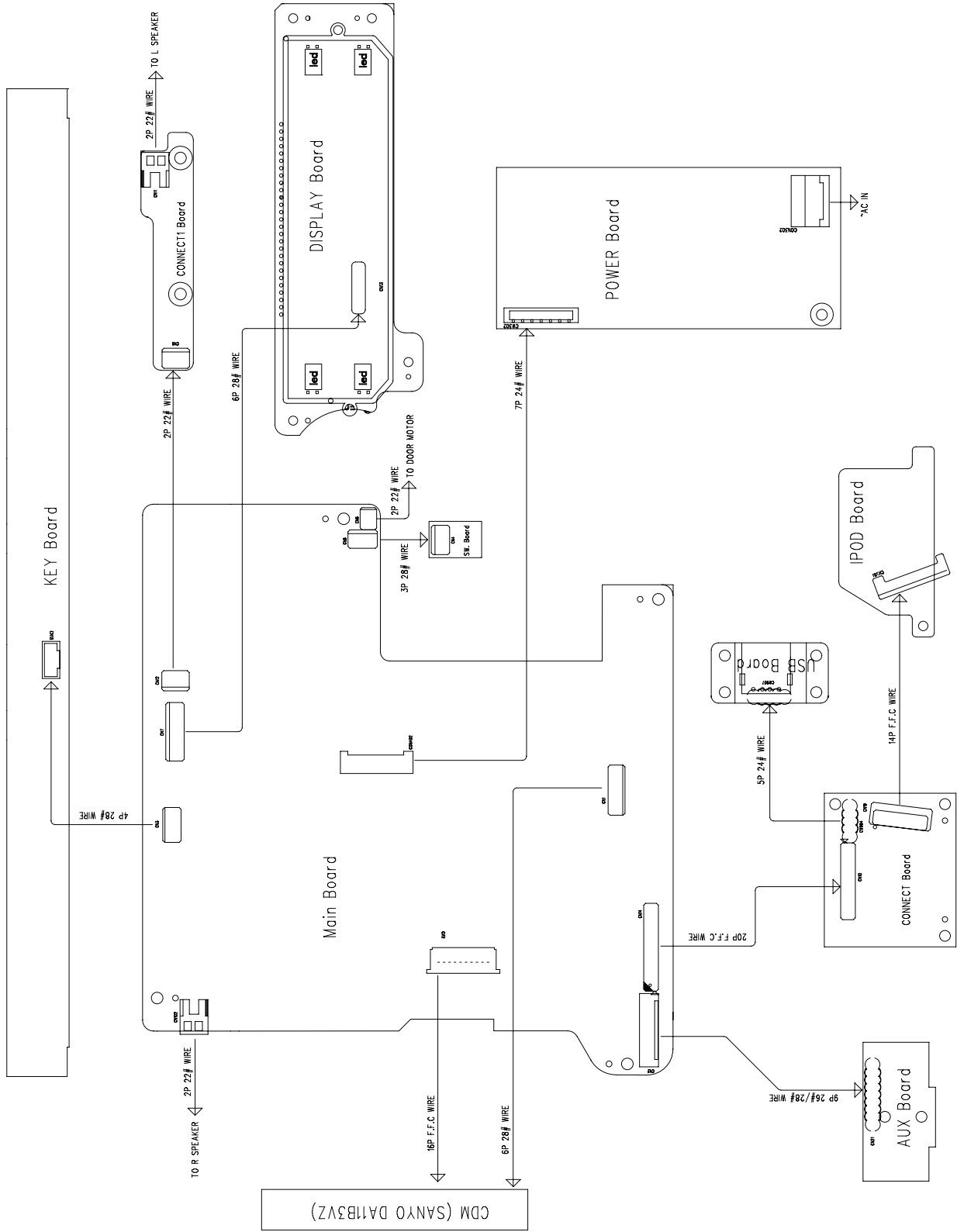
VERSION VARIATION

Type /Versions: Board in used:	DCM 278									
	Service policy									
	/05	/12		/79	/37	/61			/93	/98
DISPLAY BOARD	C	M		C	M					
MAIN BOARD	C	M		M/C	M					
POWER BOARD	C	M		M/C	M					
MOTOR BOARD	C			C	C					
KEY BOARD	C	M		C	M					
IPOD BOARD	C	M		C	M					
Type /Versions: Features	DCM 278									
	Feature difference									
	/05	/12		/79	/37	/61			/93	/98
RDS	√	√								
VOLTAGE SELECTOR										
ECO STANDBY - DARK	√	√								
* TIPS : C -- Component Lever Repair. M -- Module Lever Repair √ -- Used										

BLOCK DIAGRAM



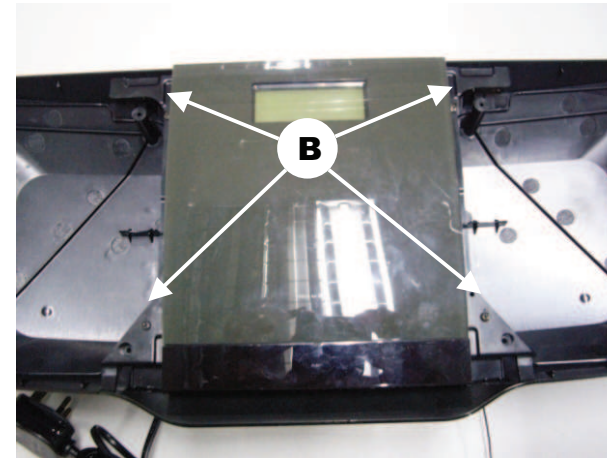
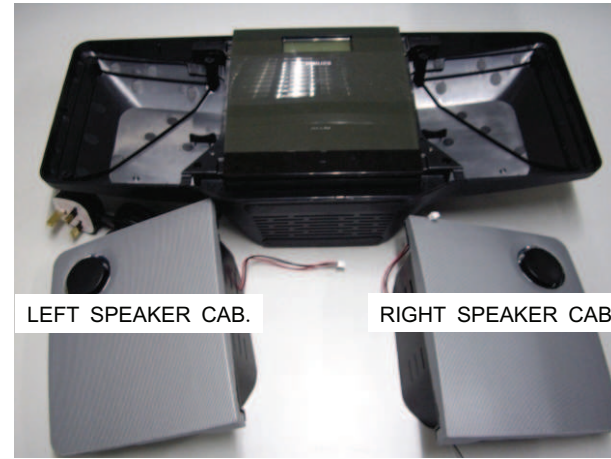
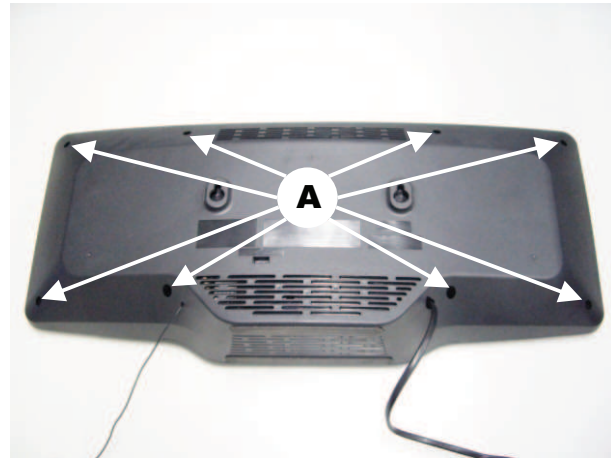
WIRING DIAGRAM



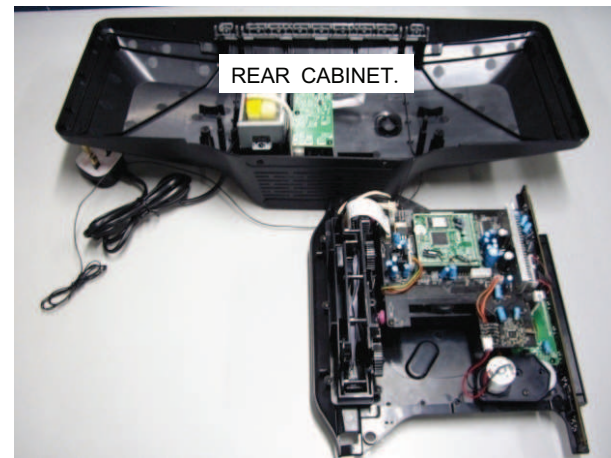
DISASSEMBLY DIAGRAM

Dismantling of the Rear Cabinet

- 1) Remove 8 screws A as indicated to loosen the speaker cabinet.
- 2) Remove 4 screws B as indicated.
- 3) Remove the rubber foot as indicated.

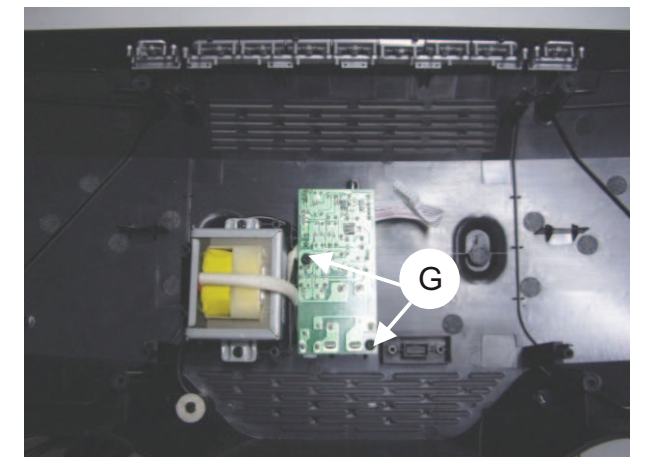
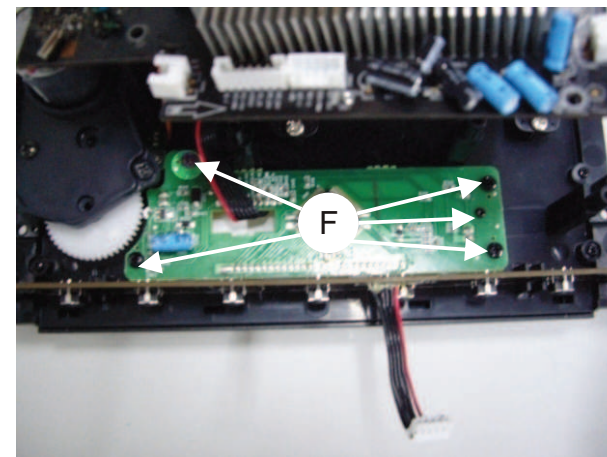
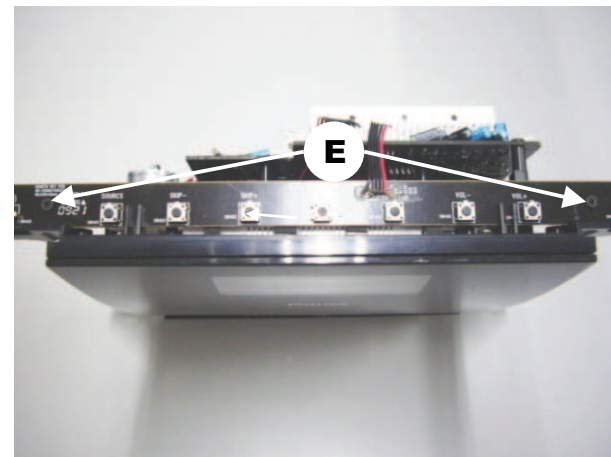
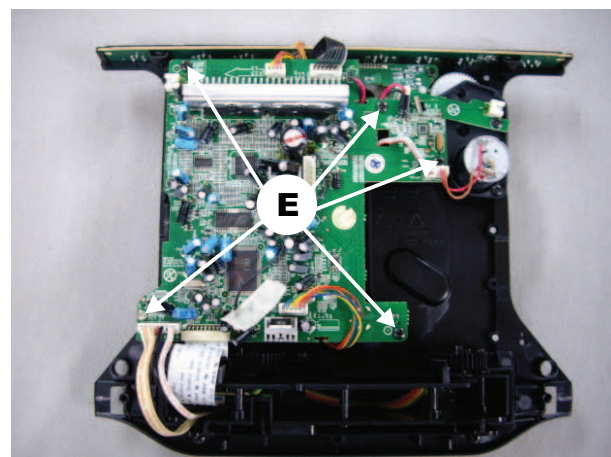


- 4) Remove 2 screws C as indicated to loosen the Rear cabinet.

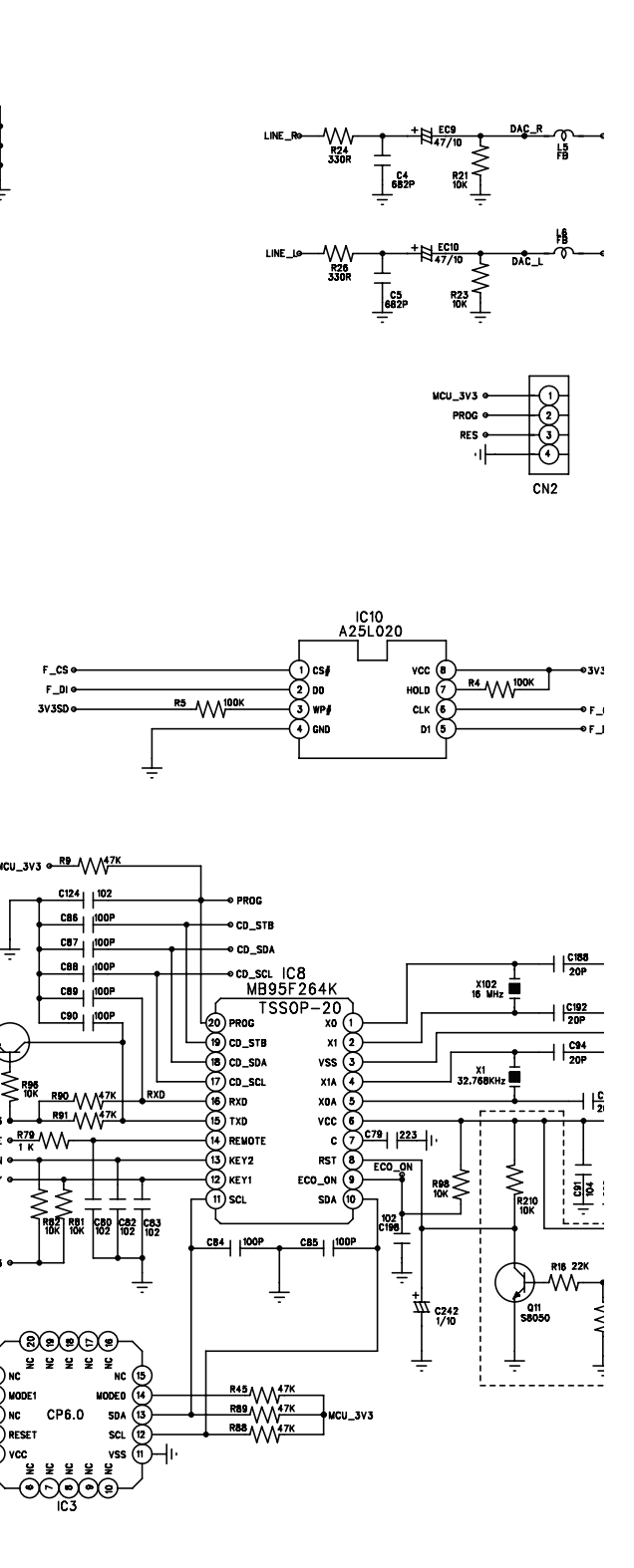
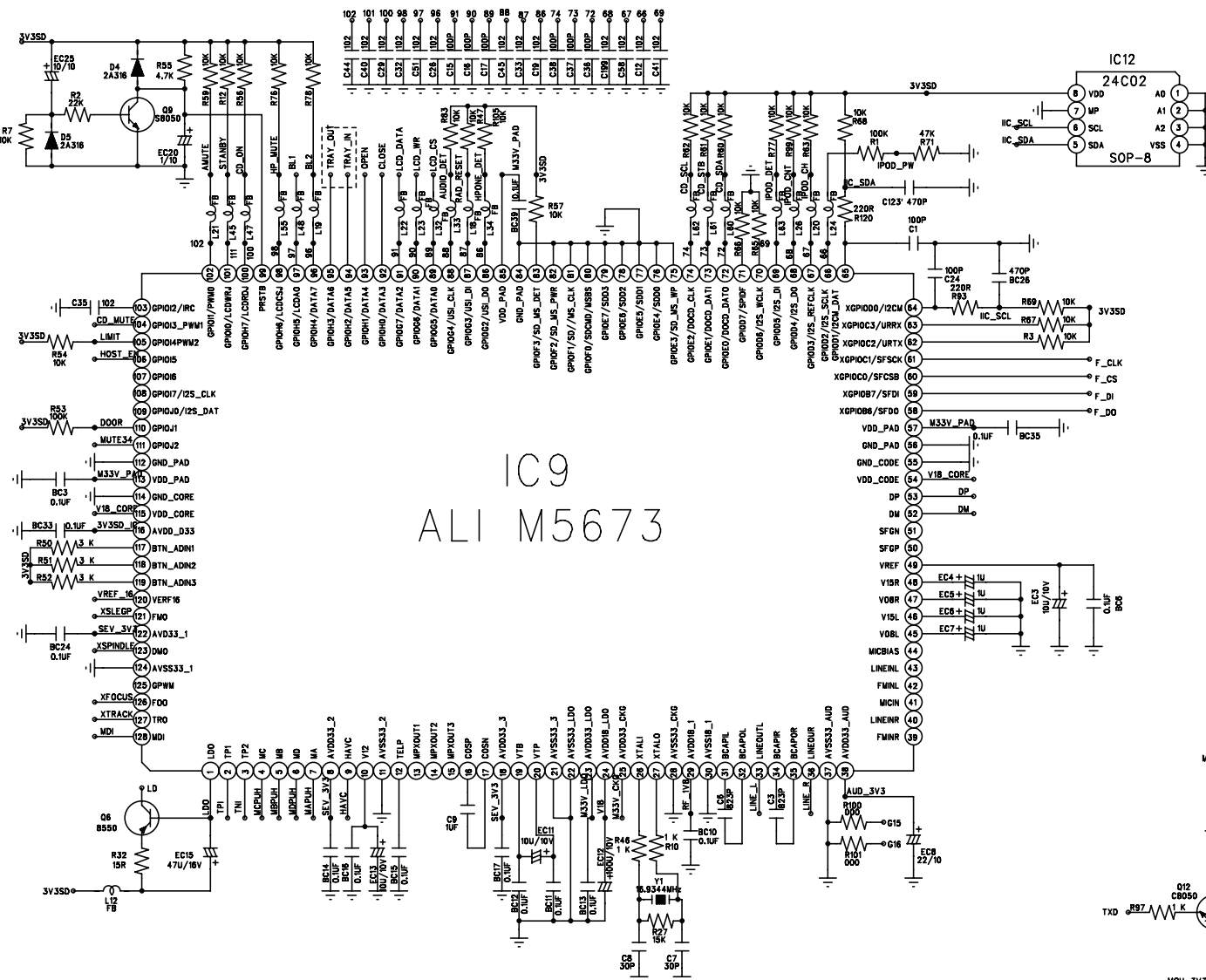
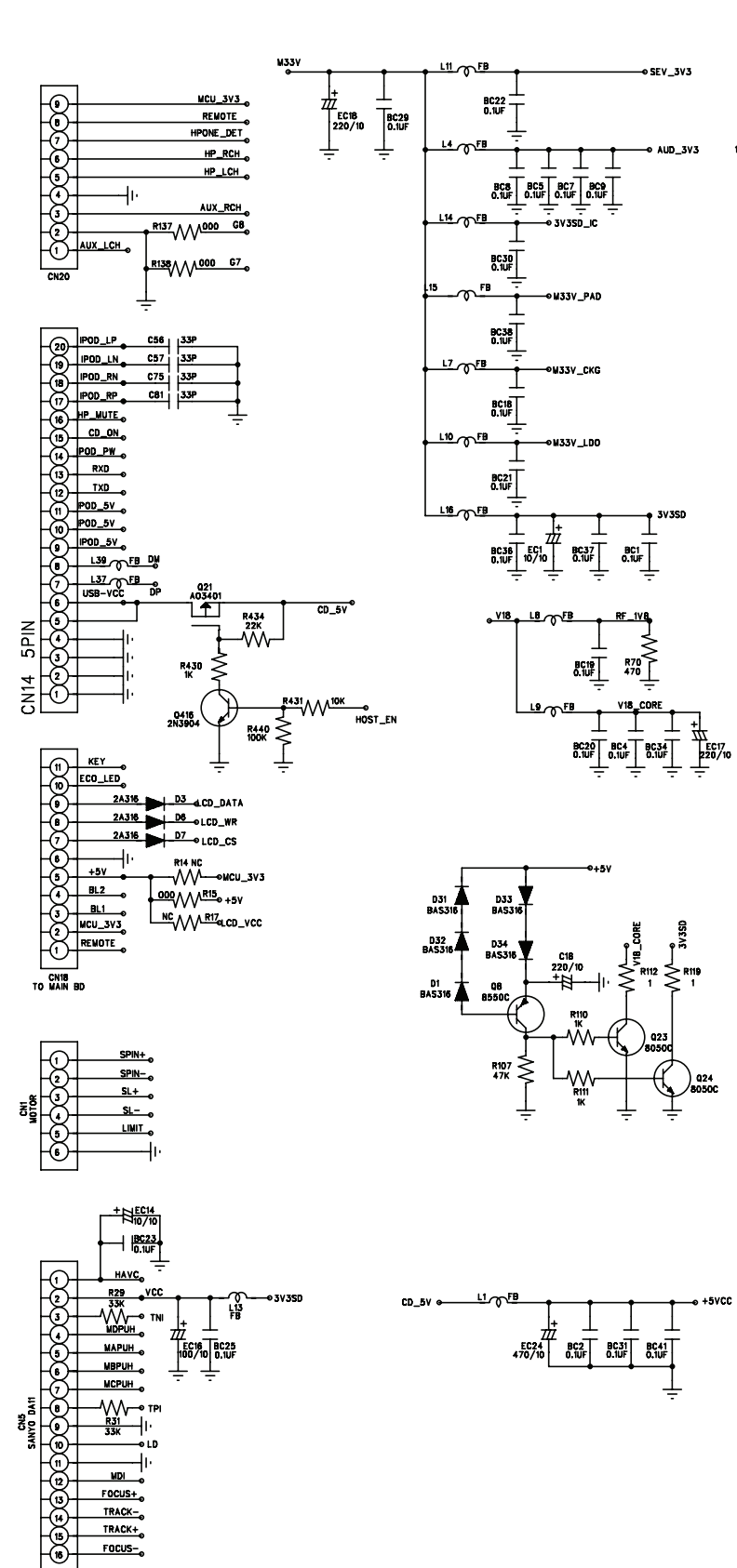


Dismantling of the PCB Board

- 1) Remove 5 screws D as indicated to loosen the Main Board.
- 2) Remove 2 screws E as indicated to loosen the Key Board.
- 3) Remove 5 screws F as indicated to loosen the Display Board.
- 4) Remove 2 screws G as indicated to loosen the Power Board.



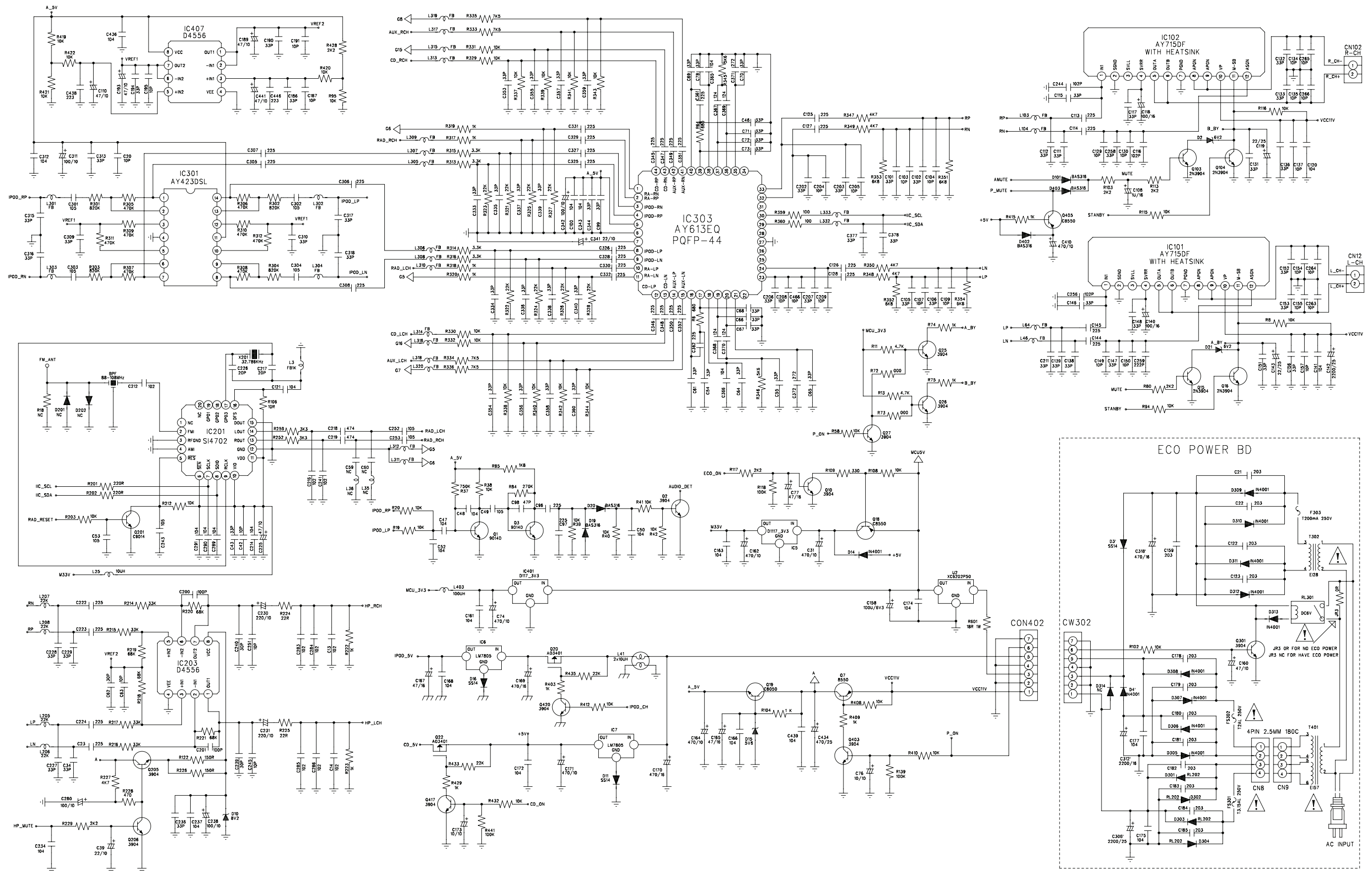
CIRCUIT DIAGRAM - MAIN BOARD PART1



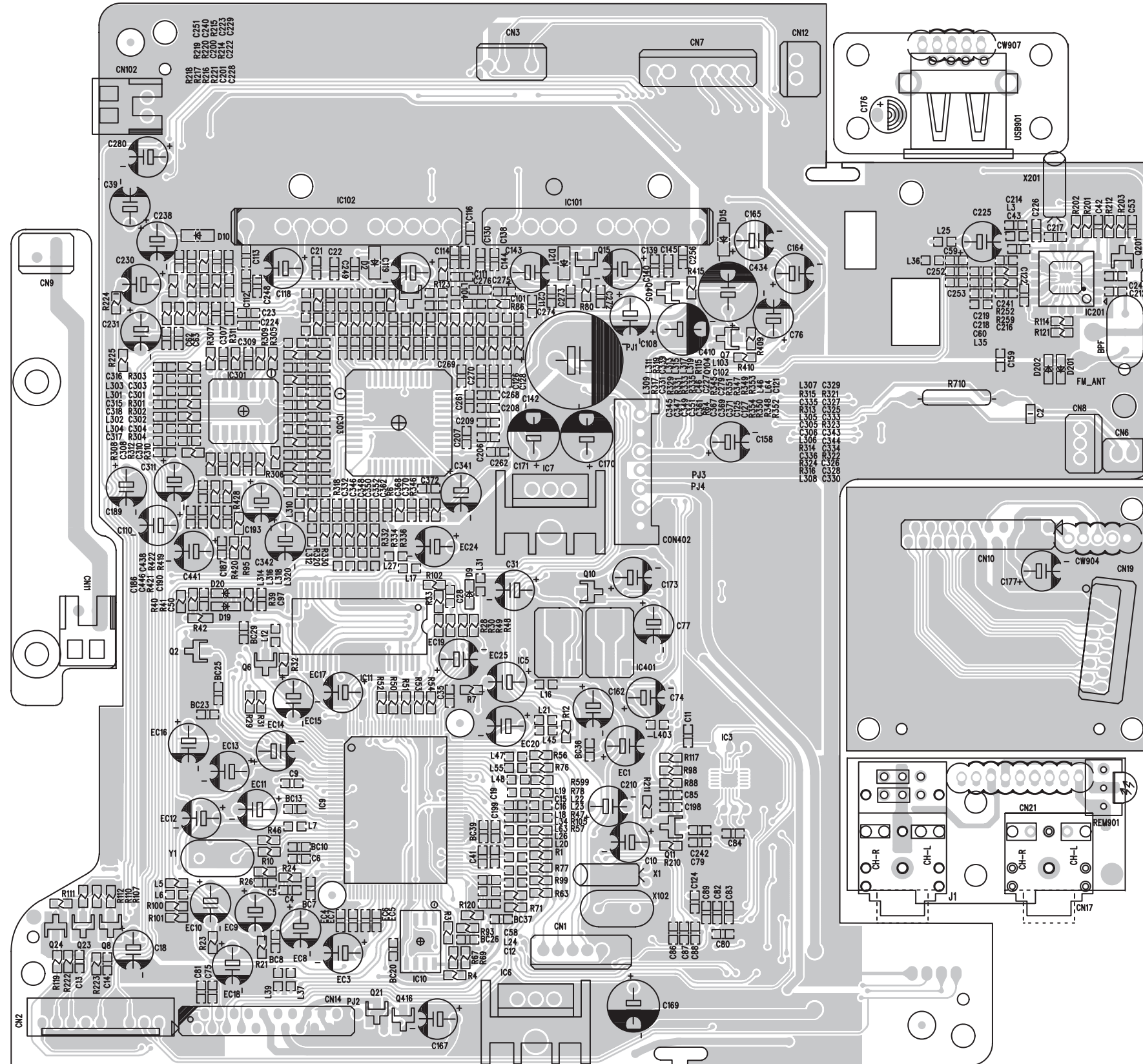
IC9 ALI M5673

IC11 SCA4720

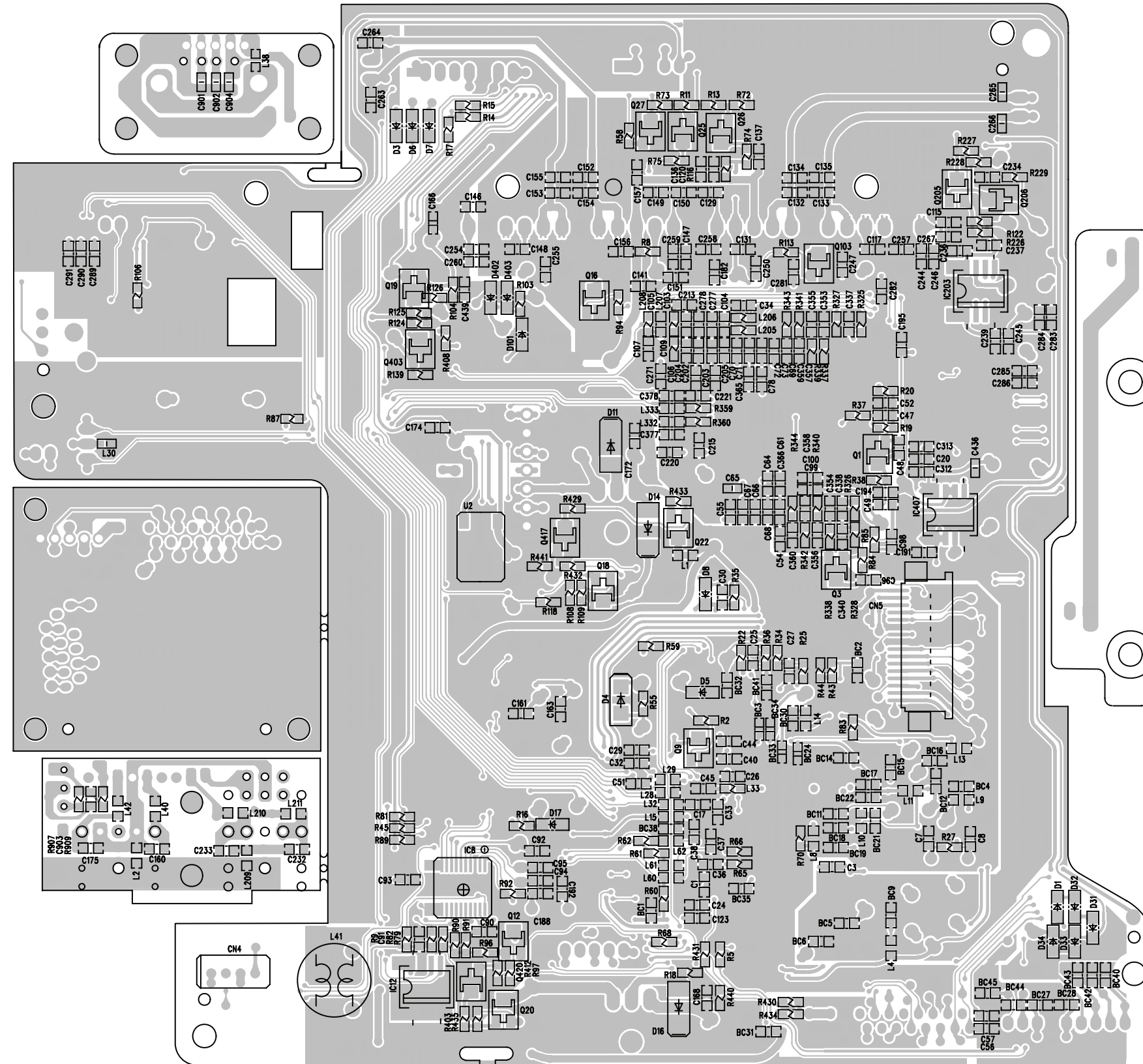
CIRCUIT DIAGRAM - MAIN BOARD AND POWER BOARD PART2



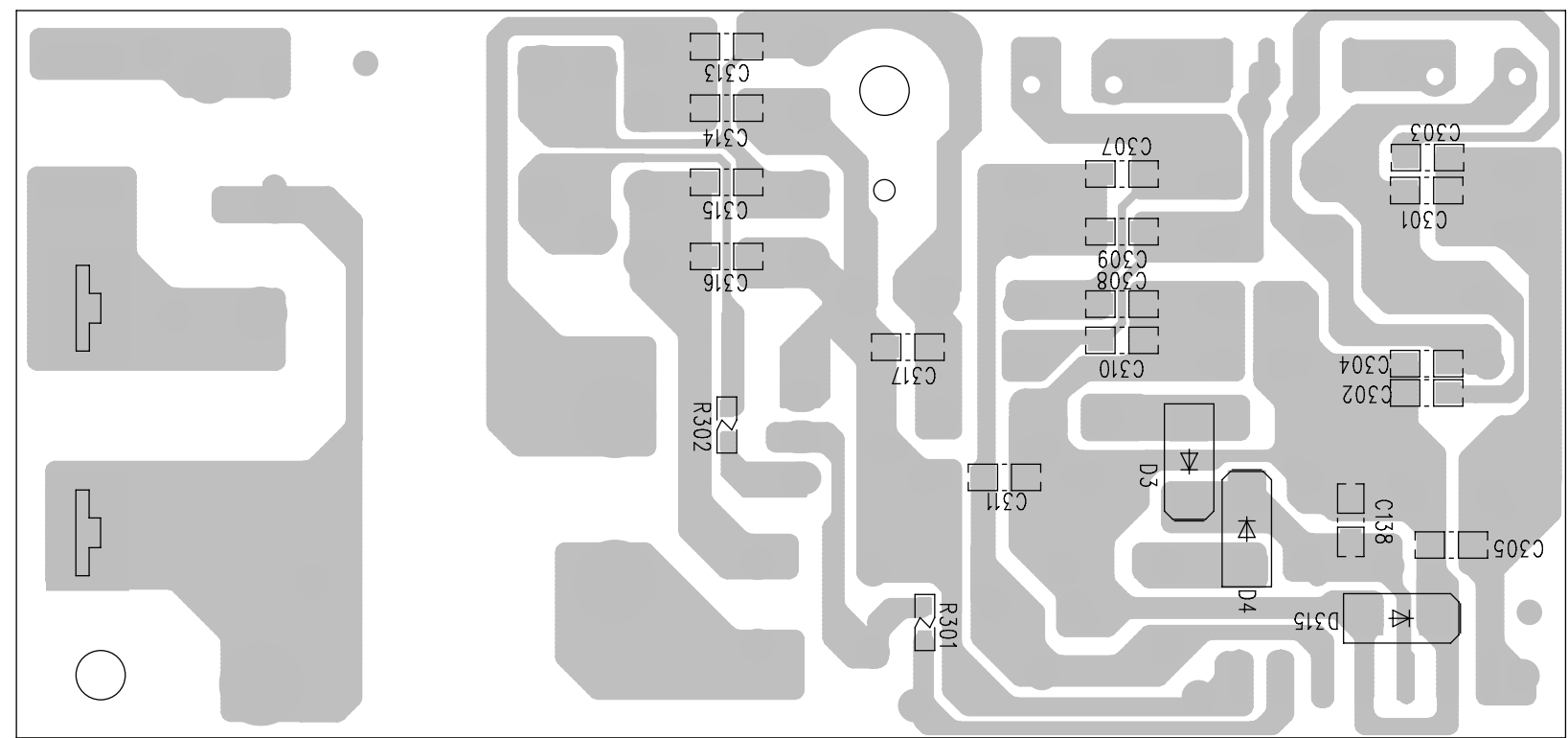
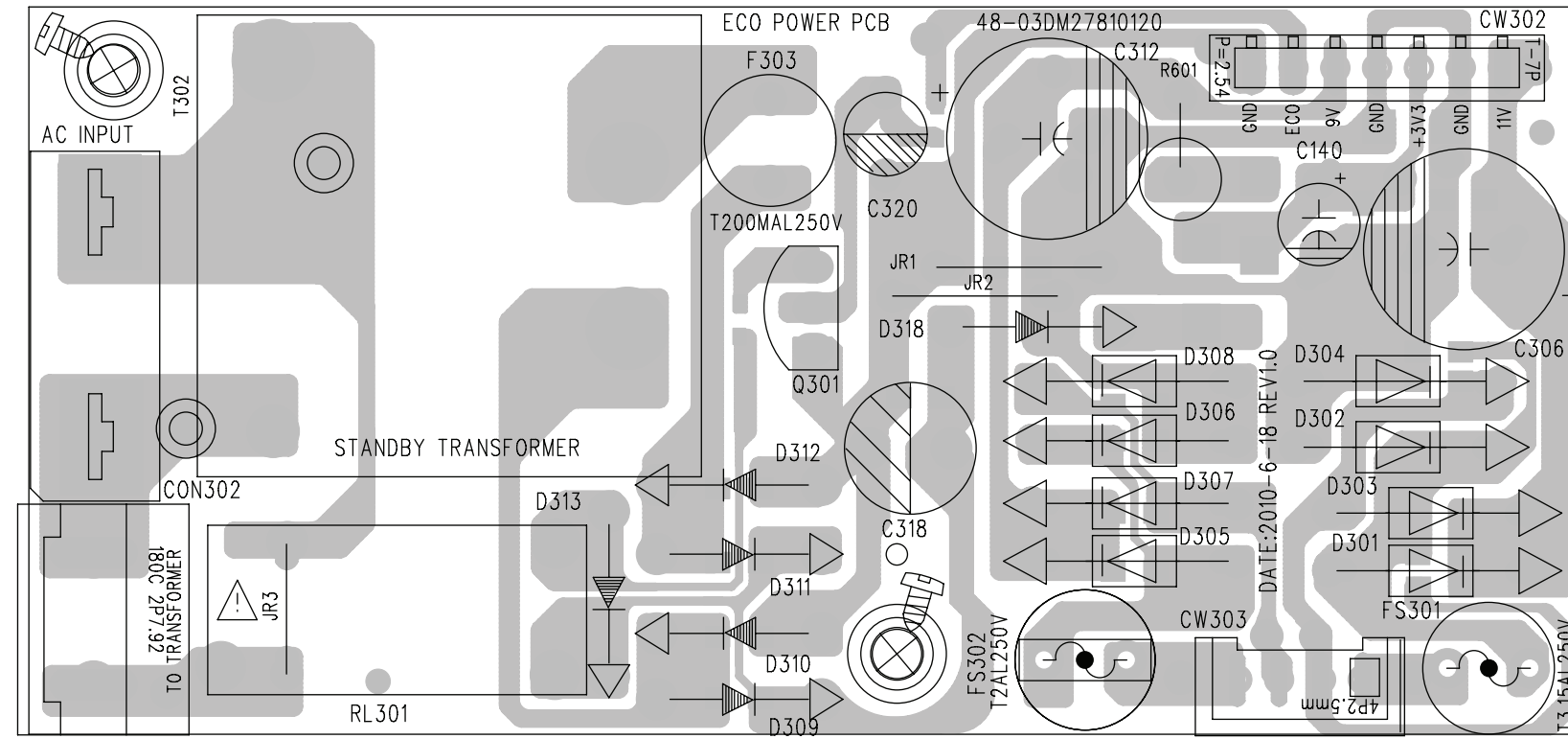
PCB LAYOUT - MAIN BOARD TOP SIDE



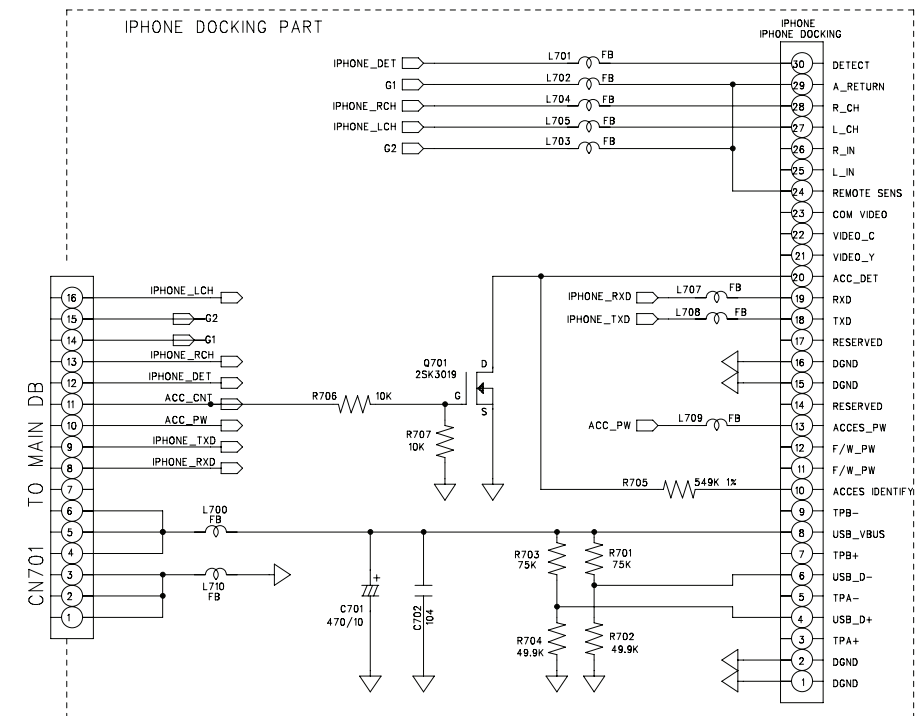
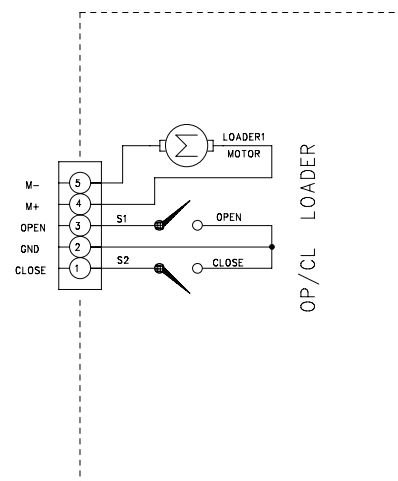
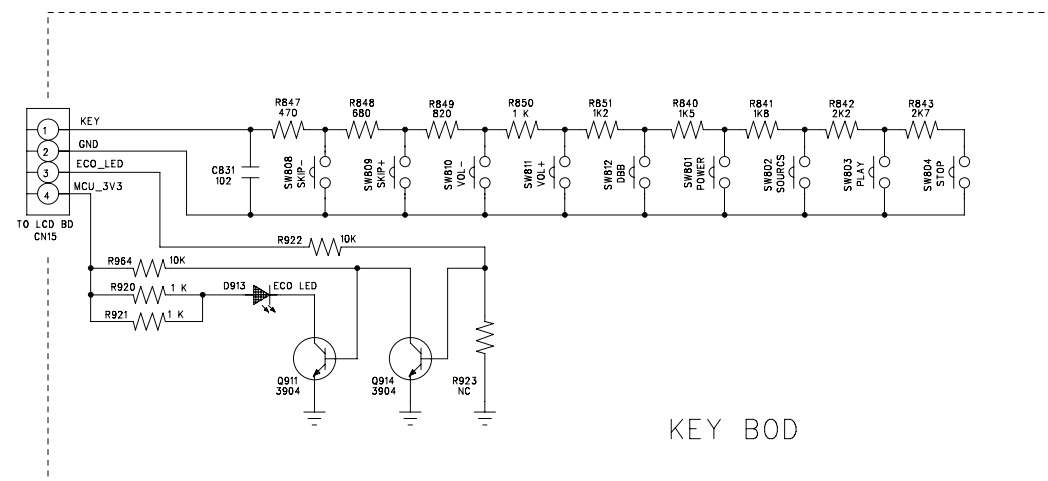
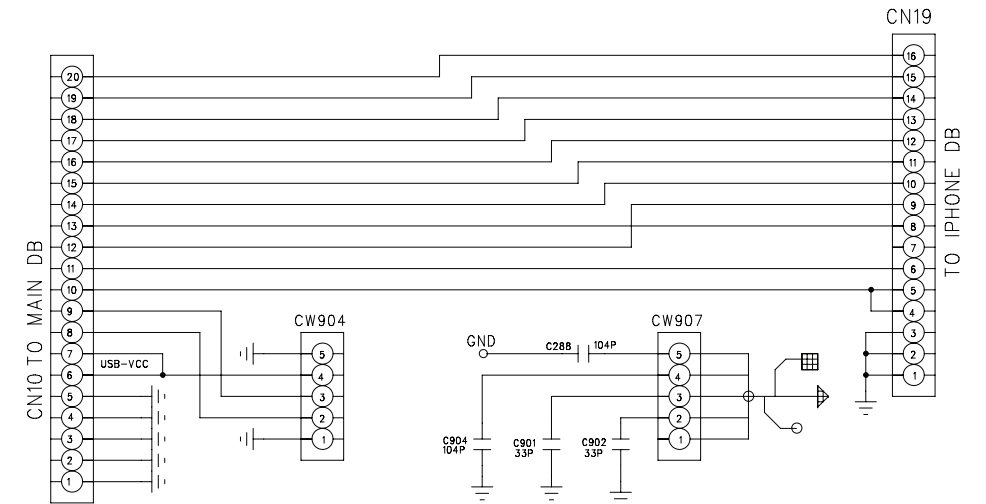
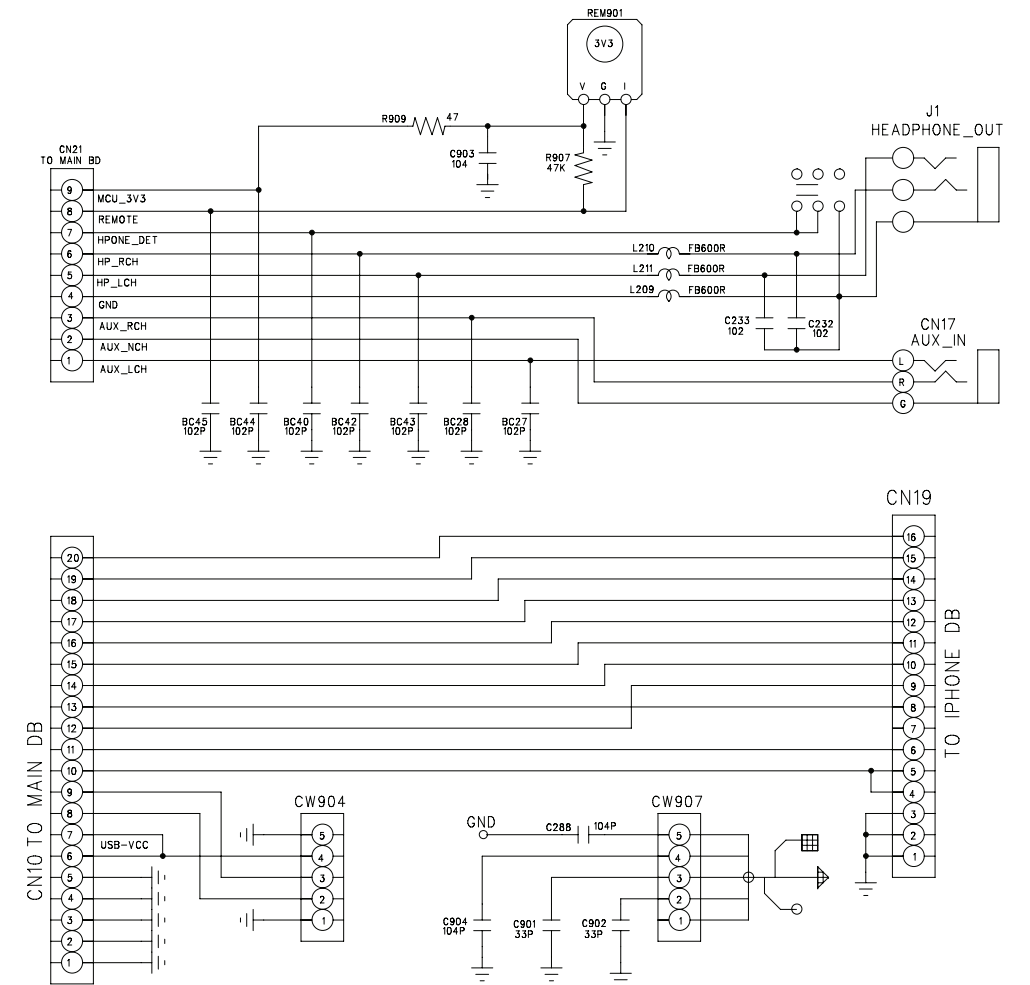
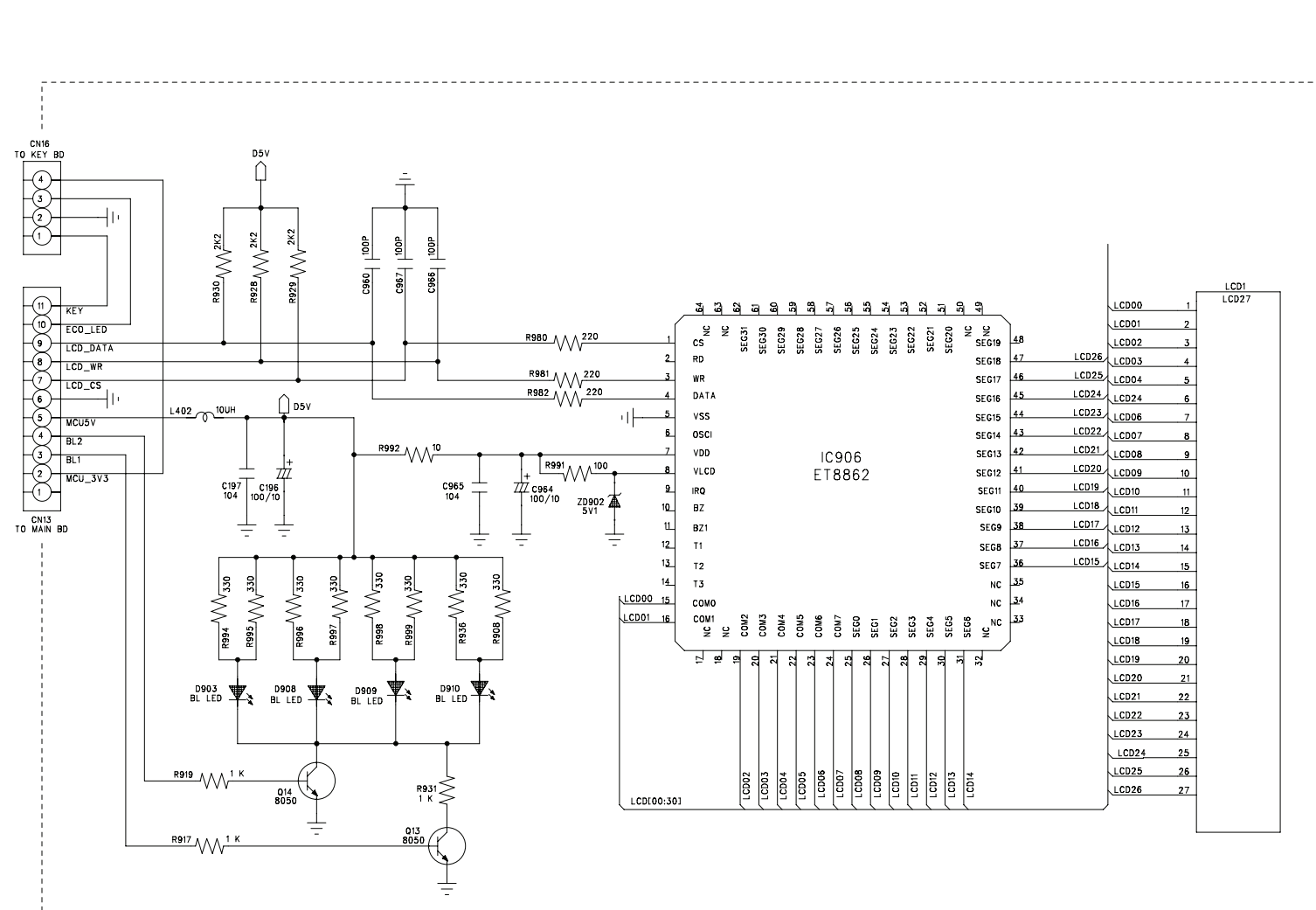
PCB LAYOUT - MAIN BOARD
BOTTOM SIDE



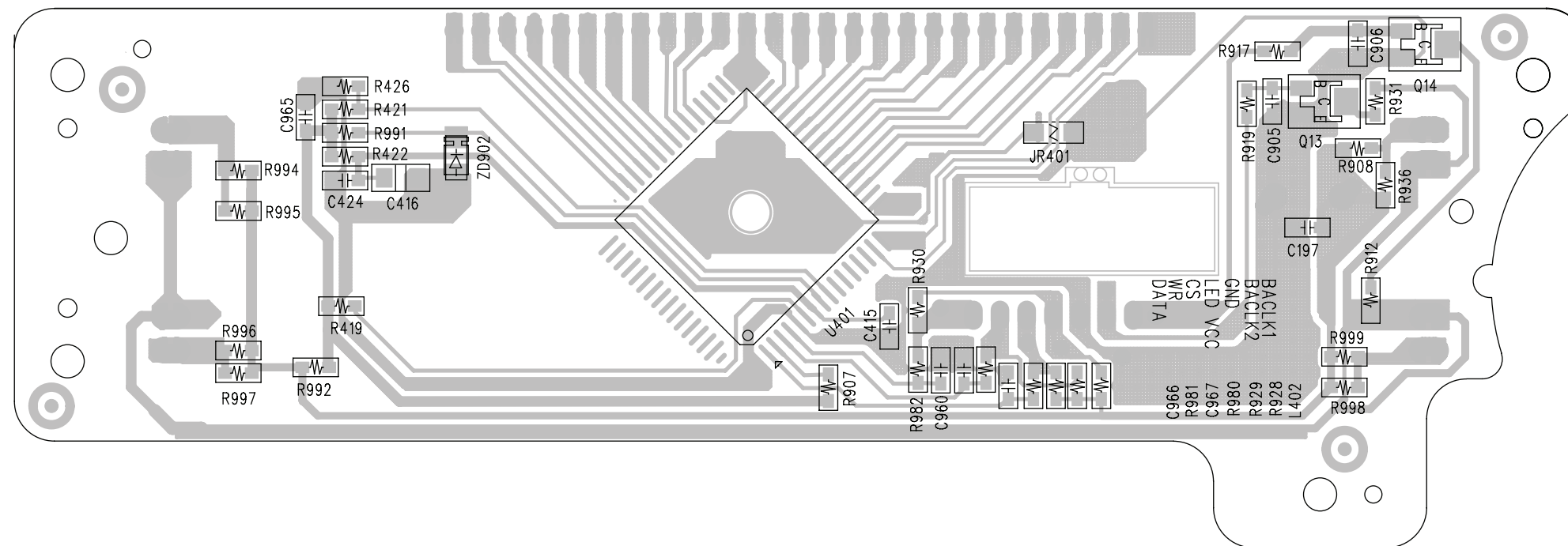
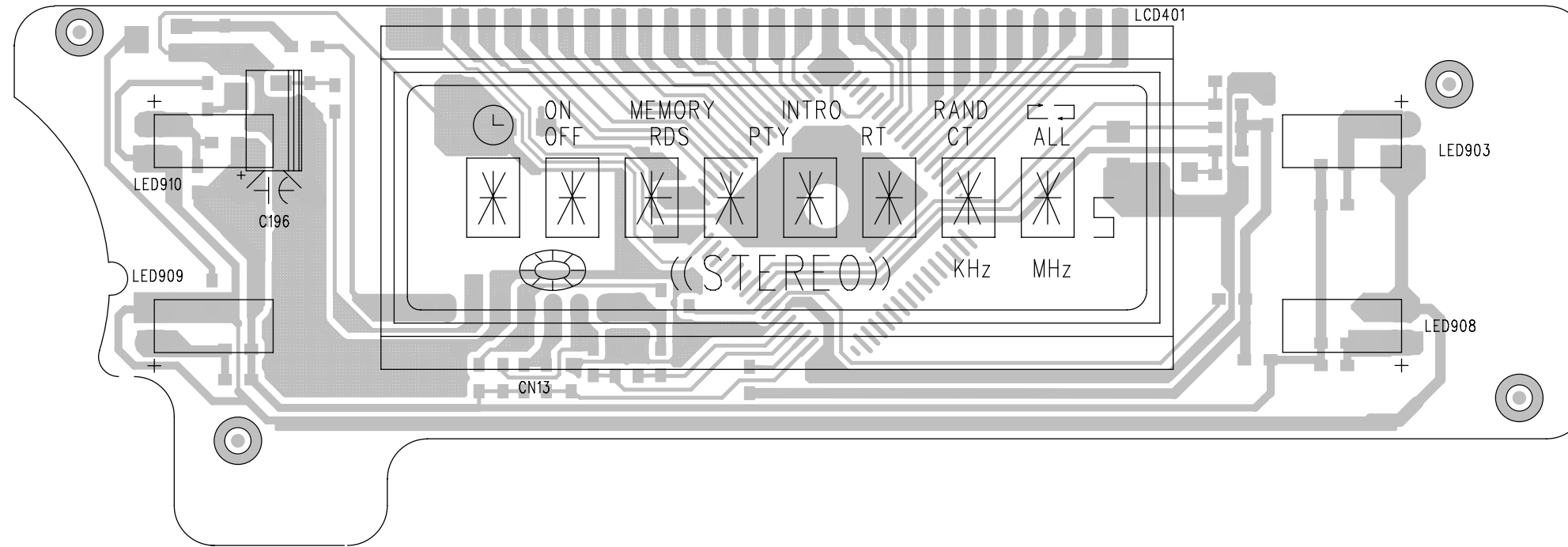
PCB LAYOUT - POWER BOARD



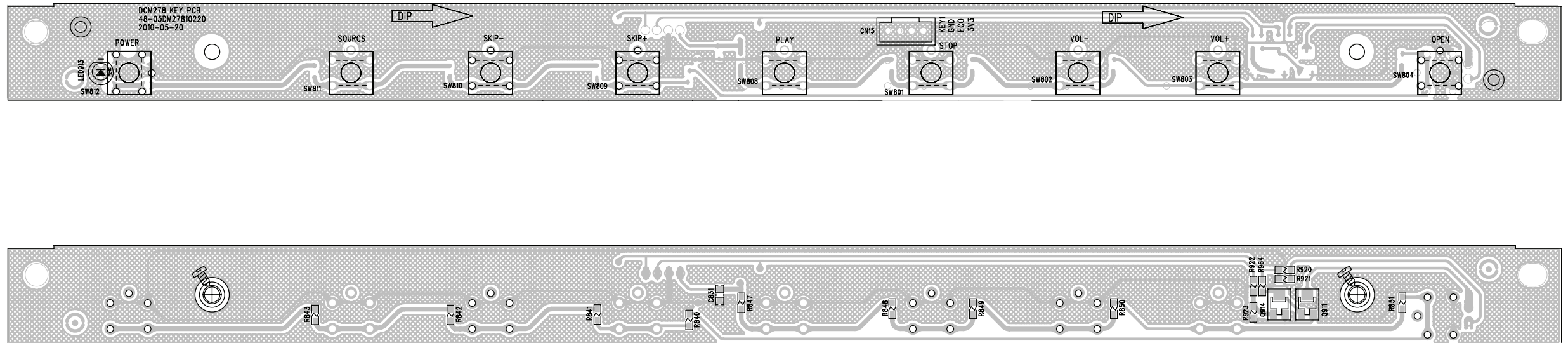
CIRCUIT DIAGRAM - DISPLAY/KEY/IPOD DOCKING BOARD



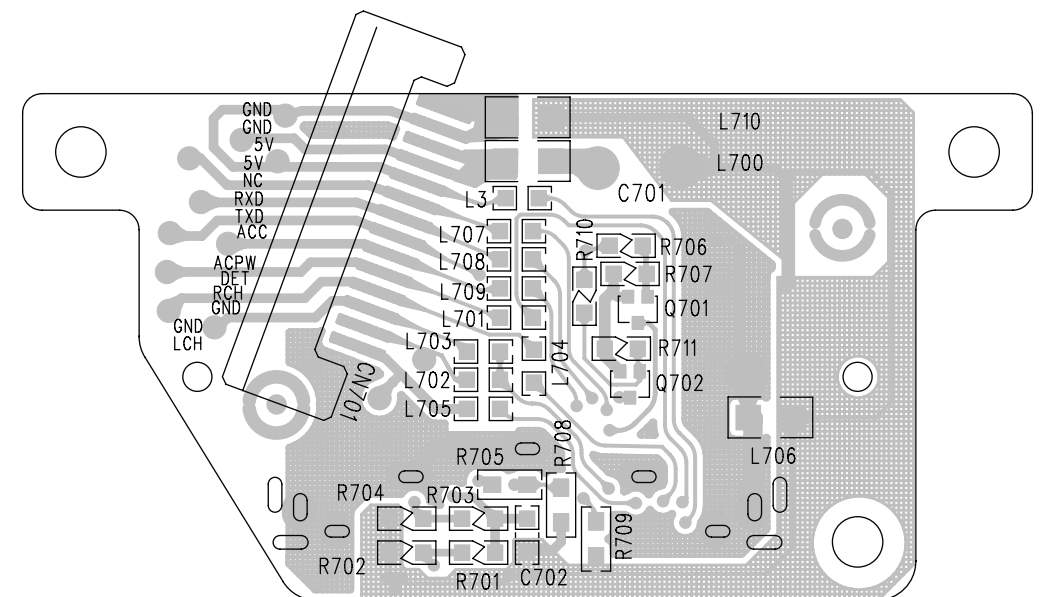
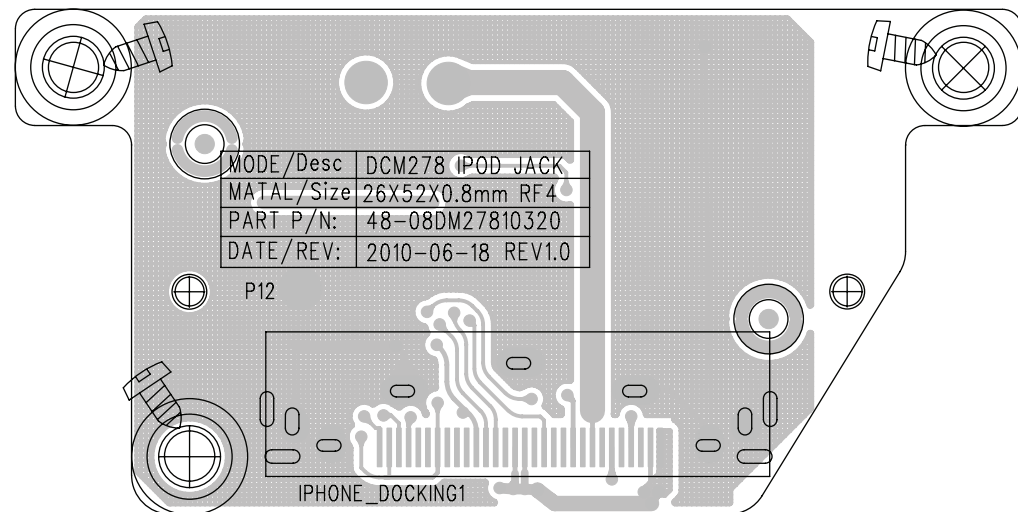
PCB LAYOUT - DISPLAY BOARD



PCB LAYOUT - KEY BOARD



PCB LAYOUT - iPod DOCKING BOARD



SPARE PARTSLIST(only for /12/37/79)

0001N	996510038621	PCBA-DISPLAY
0002N	996510038617	PCBA-KEY
0003N	996510038996	PCBA-MAIN(ALI)
0004N	996510038994	PCBA-POWER(ALI)
0005N	996510038606	PCBA-IPOD
120	996510029106	GEAR SPRING
121	996510029107	COMPRESS SPRING FOR BLOCK
122	996510026713	EXTEN SPRING (SUS304)
123	996510026718	COMPRESS SPRING FOR PIN
124	996510029102	SPRING DRAWER
145	996510028896	HARDEN SCREW SMN TSA D103X25MM
182	996510029095	COMPRESS SPRING SHORT
201	996510031671	LEFT SPEAKER FRONT
202	996510031658	RIGHT SPEAKER FRONT
203	996510026752	DRAWER BASE
204	996510029087	REAR CABINET
205	996510026706	CD TRAY
206	996510026708	DOOR HOLDER -LEFT
207	996510026753	DOOR HOLDER -RIGHT
208	996510026732	DOUBLE BRACKET
209	996510026721	HOLDER CDM TOP
210	996510026745	HOLDER CDM
211	996510026709	LOCATION LEVER
212	996510026719	MOVE LEVER
213	996510026726	PUSH BLOCK
214	994000002832	MOTOR BRACKET
216	996510026716	CD DOOR
217	996510026734	COSMETIC TUBE
218	996510026733	COSMETIC COVER
219	996510026724	MOVE DRAWER TOP
220	996510026741	DRAWER MOVE COVER
221	996510026707	MOVE DRAWER BOTTOM
222	994000004392	LASER COVER (FOR SANYO CD)
223	996510026751	GEAR
224	996510027146	DRIVING GEAR
225	996510027147	DRIVER PULLEY GEAR
226	996510026731	TOP KEYS
227	996510026754	POWER ON KEYS
228	996510026727	EJECT KEYS
229	996510029099	DOOR LENS
230	996510026722	IPOD DOOR LENS
231	996510026736	LED LIGHT GUIDE LENS
234	994000002818	DOOR MOTOR PULLY
235	996510026717	COSMETIC RING
1230	996510012604	CONNECTOR SLEEVE
1231	996510002033	SCREW SPACE (RED)
J001	996500040405	16P FFC 1mm L=60mm
J003N	996510038613	14P FFC. 1.0MM L=60MM
J008	996510029098	⚠ AC CORD VDE APP 2M H03VVH2-F
J011N	996510038619	20P FFC. 1MM L=100MM
M1	996510026711	CD MECHANISM(SANYO) DA11B3VZSS
S001N	996510038618	SPEAKER 3" 5W 8HOM JS82-1170-1
T301N	996510038995	⚠ TRANS.EI57 230V UP57-278A1T

ACCESSORIES

RC	996510028965	REMOTE CONTROL
J009	996510002089	CONN. CORD 3.5 ST/PLUGx2 500mm

Note: Only these parts mentioned in the list are normal service parts.