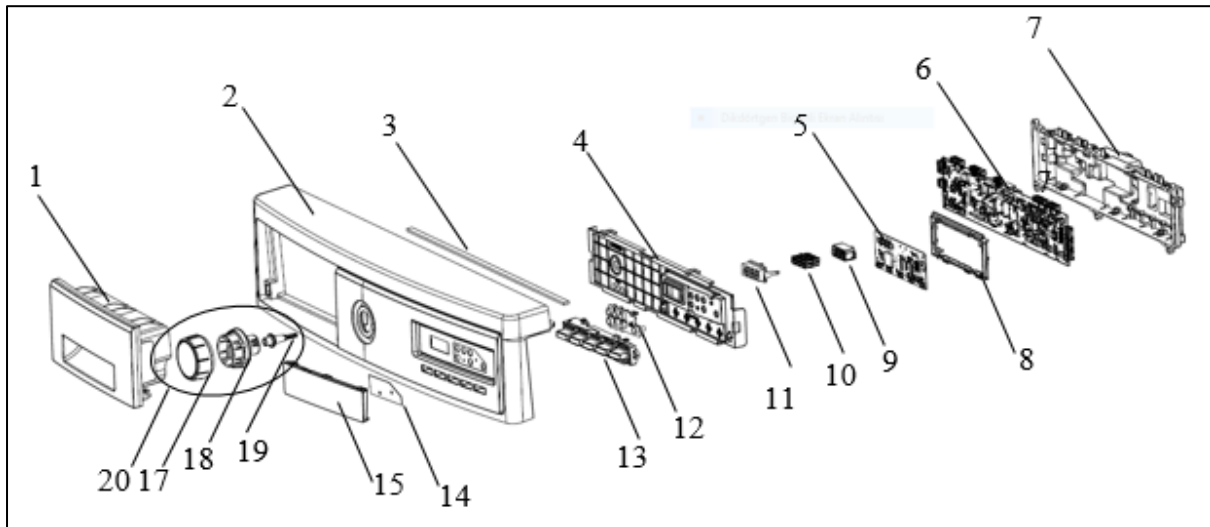
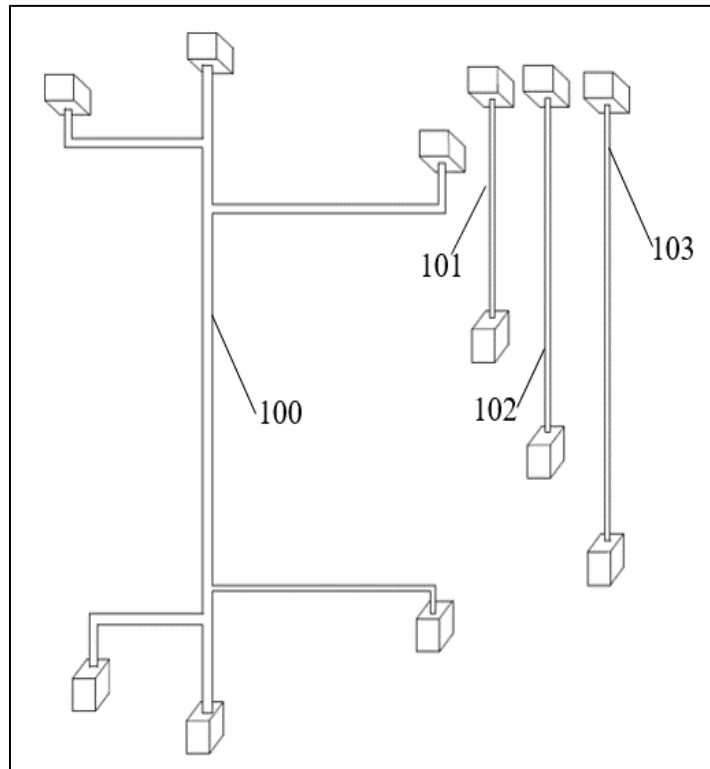


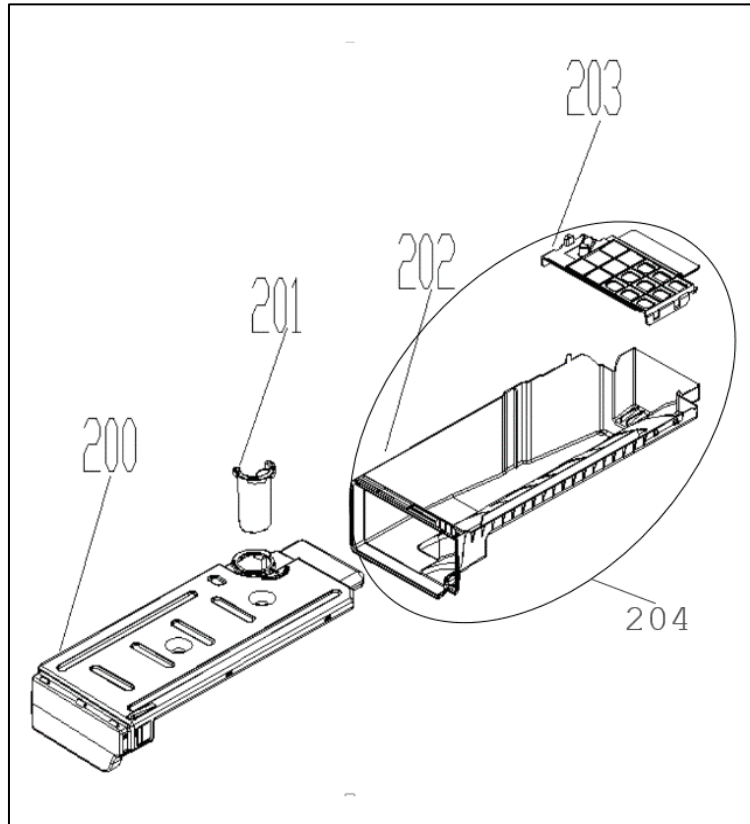
1. CONTROL PANEL PARTS



NO	PART NAME	QUANTITY
1	WATER TANK DRAWER COVER	1
2	CONTROL PANEL	1
3	CONTROL PANEL ISOLATION	1
4	PCB BOX COVER	1
5	F4 UI BOARD	1
6	PCB BOARD	1
7	PCB BOX	1
8	F4 UI BOARD FRAME	1
9	1888 BASE PART	1
10	1888 LIGHT GUIDE	1
11	1888 FRONT COVER	1
12	F4 LIGHT GUIDE	1
13	SELECTION BUTTONS F4	1
14	LEXAN FILM	1
15	DISPLAY	1
17	PROGRAM SELECTION KNOB BODY	1
18	PROGRAM SELECTION KNOB INS. PART	1
19	PROGRAM SELECTION SHAFT	1
20	PROGRAM SELECTION KNOB	1

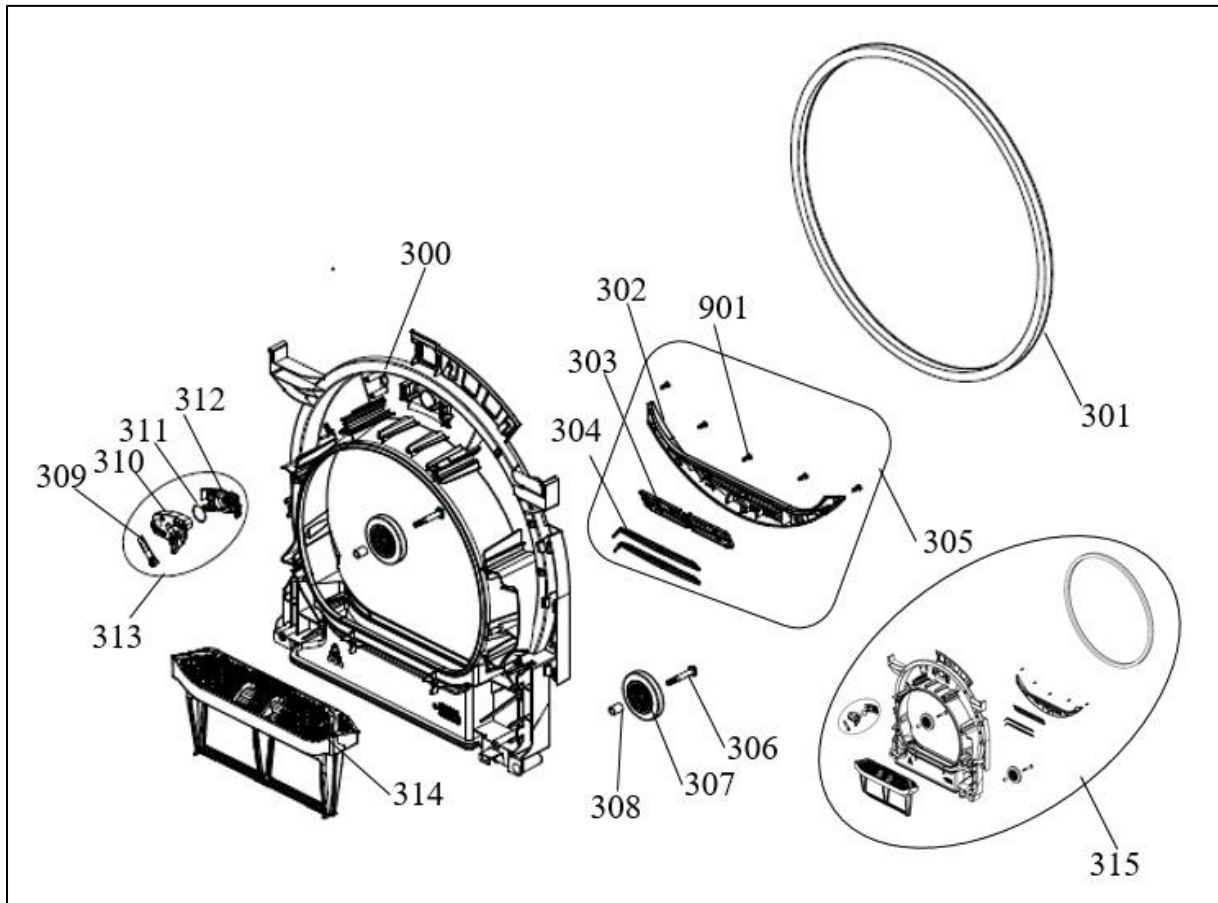
2. CABLE GROUP PARTS

NO	PART NAME	QUANTITY
100	CABLE TREE	1
101	DRUMLIGHT CABLE	1
102	DOOR LATCH CABLE	1
103	HUMMIDITY SENSOR CABLE	1

3. WATER TANK PARTS

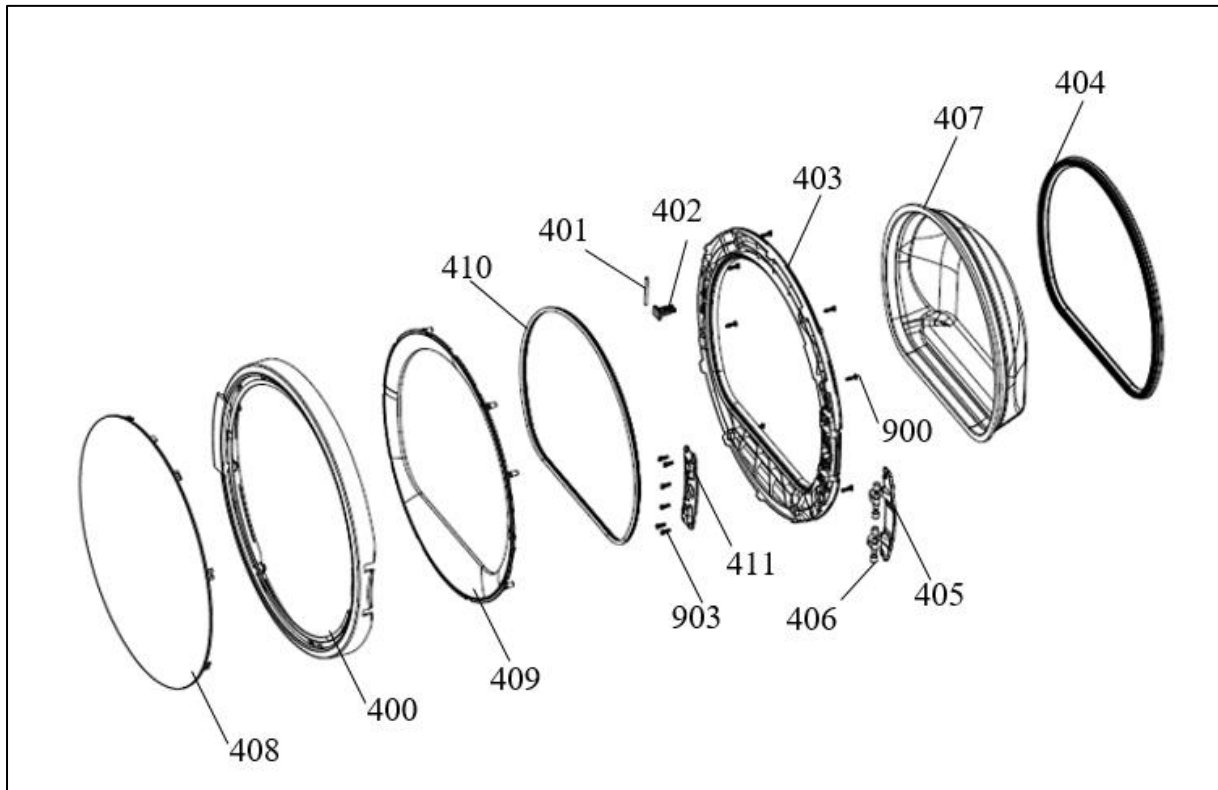
NO	PART NAME	QUANTITY
200	WATER TANK	1
201	TANK DRAIN COVER	1
202	WATER TANK HOUSING	1
203	WATER TANK HOUSING COVER	1
204	WATER TANK HOUSING GR	1

4. FRONT SHIELD PARTS



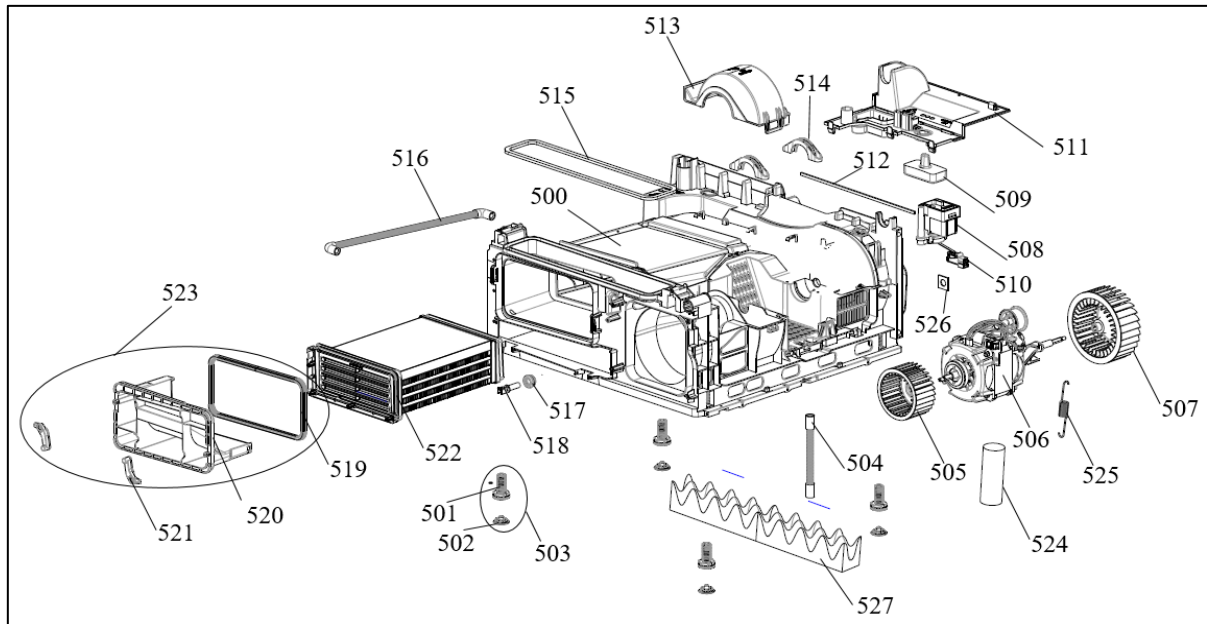
NO	PART NAME	QUANTITY
300	FRONT SHIELD	1
301	FRONT ISOLATION FOAM	1
302	HUMMIDITY SENSOR PLASTIC	1
303	SENSOR HOLDER	1
304	SENSOR SHEET	2
305	HUMMIDITY SENSOR GROUP (302-303 -304 - 103)	1
306	WHEEL SCREW	2
307	BEARING WHEEL	2
308	BEARING WHEEL BUSHING	2
309	DRUMLIGHT CARD	1
310	DRUMLIGHT CARD BOX	1
311	DRUMLIGHT CARD GASKET	1
312	DRUMLIGHT COVER	1
313	DRUMLIGHT GROUP	1
314	FILTER	1
315	FRONT SHIELD GROUP	1
901	HUMIDITY SENSOR SCREW	5

5. DOOR PARTS



NO	PART NAME	QUANTITY
400	DOOR OUTER PLASTIC	1
401	HINGE PIN	1
402	DOOR HOOK	1
403	INNER DOOR PLASTIC	1
404	DOOR GASKET	1
405	DOOR HINGE	1
406	DOOR HINGE BUSHING	4
407	DOOR GLASS	1
408	DOOR FRONT COVER	1
409	OUTER PLASTIC INNER FRAME	1
410	DOOR GLASS ISOLATION GASKET	1
411	DOOR HINGE SHEET METAL	1
412	DOOR GROUP	1
900	3.5 X 16 PLASTIC SCREW	11
903	4 X 12 PLASTIC SCREW	6

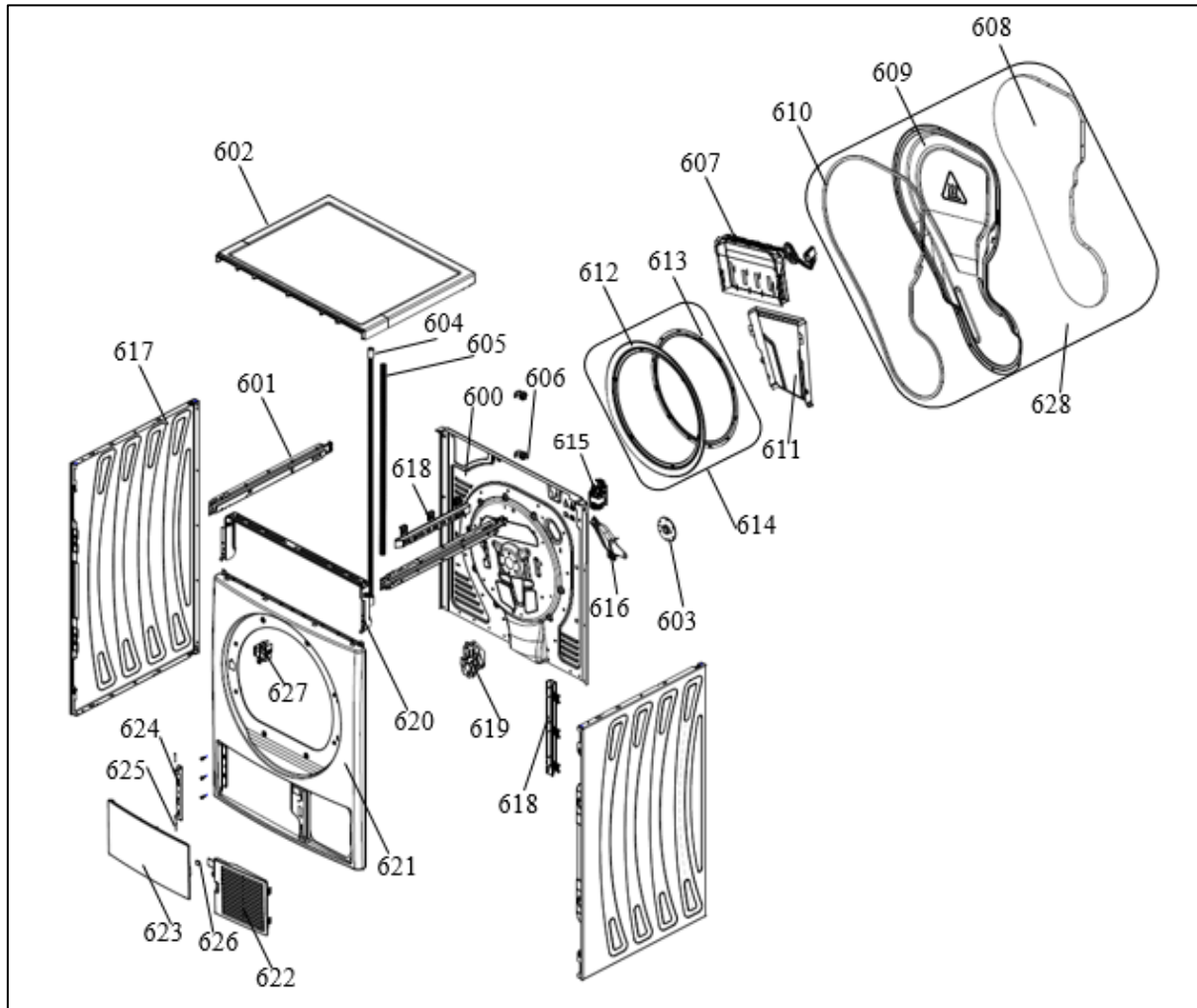
6. BASEMENT PLASTIC PARTS



NO	PART NAME	QUANTITY
500	BASEMENT PLASTIC PART (500-512-515- 527)	1
501	ADJUSTABLE STANDING PLASTIC	4
502	ADJUSTABLE STANDING RUBBER	4
503	ADJUSTABLE STANDING GROUP	4
504	RETURN HOSE	1
505	COOLING FAN	1
506	MOTOR	1
507	PROCESS FAN	1
508	PUMP	1
509	FLOAT	1
510	AQUA SWITCH	1
511	PUMP HOUSING	1
512	REAR PANEL ISOLATION FOAM	1
513	COOLING FAN COVER	1
514	MOTOR FIXING PLASTIC	1
515	AIR CHANNEL SEAL	1
516	SIDE HOSE	1
517	NTC RUBBER	1
518	NTC	1
519	CONDENSER DRAWER COVER GASKET	1
520	CONDENSER DRAWER COVER	1
521	CONDENSER DRAWER COVER LOCK PLASTIC	1
522	CONDENSER BOX	1
523	CONDENSER DRAWER COVER GR	1

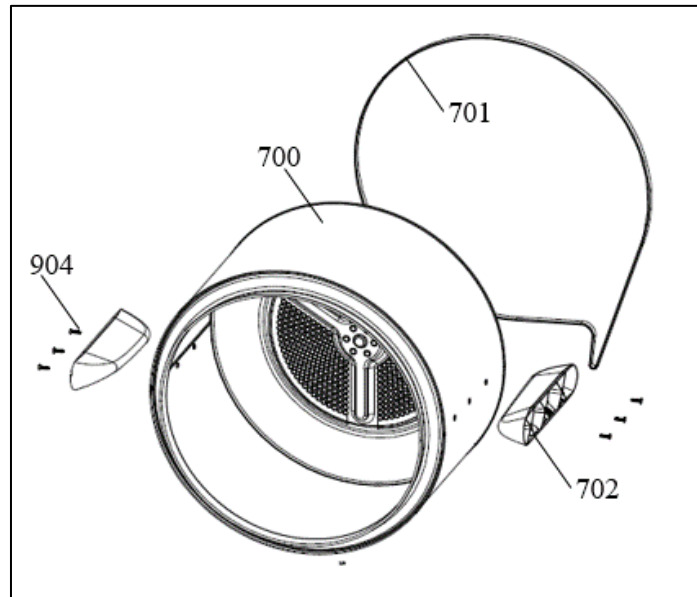
524	CAPACITOR	1
525	MOTOR SPRING	1
526	MOTOR ISOLATION FELT	1
527	SOUND ISOLATION FOAM	1

7. BODY PARTS

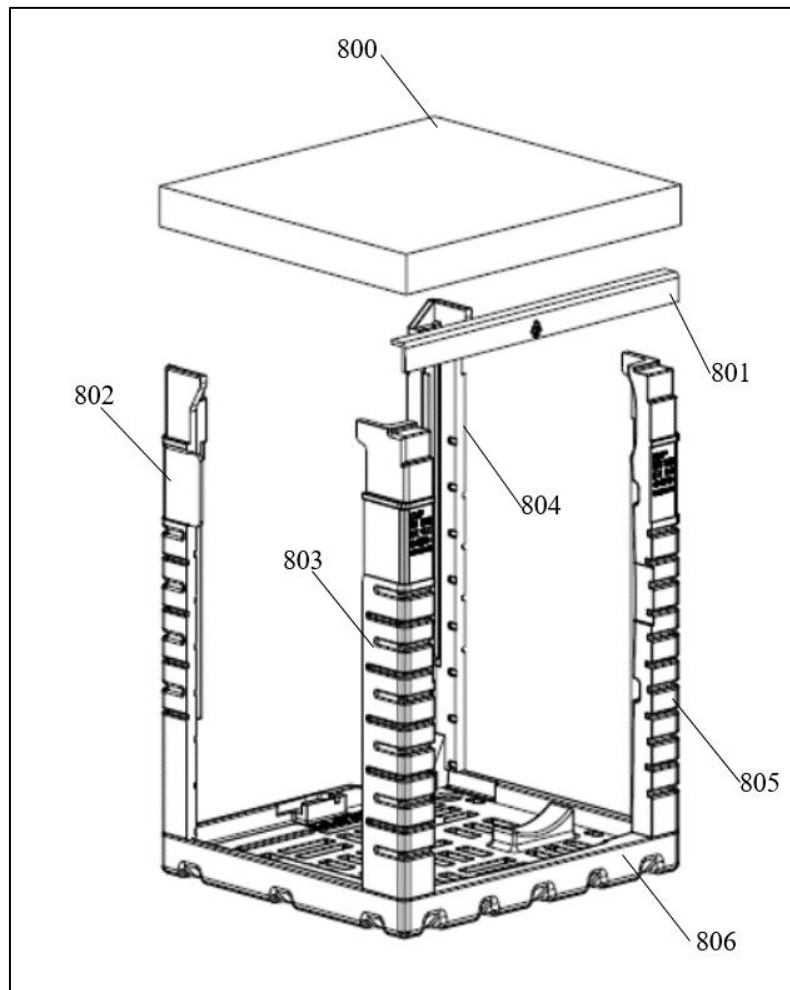


NO	PART NAME	QUANTITY
600	REAR PANEL GR	1
601	SIDE BRACKET	2
602	UPPER TRY	1
603	REAR BEARING GR	1
604	WATER TANK HOSE	1
605	WATER TANK RETURN HOSE	1
606	HOSE HOLDER PLASTIC	2
607	HEATER	1
608	REAR COVER OUTER ISOLATION	1

609	REAR COVER SHEET	1
610	REAR COVER INNER SEAL	1
611	AIR GUIDE BRACKET	1
612	REAR ISOLATION (SEAL&FELT)	1
613	REAR ISOLATION SHEET	1
614	REAR ISOLATION GROUP	1
615	EMI FILTER	1
616	HEATER CABLE GUIDE PLASTIC	1
617	SIDE PANEL	2
618	CABLE HOLDER PLASTIC	2
619	SOCKET HOLDER PLASTIC	1
620	TOP BRACKET	1
621	FRONT PANEL	1
622	PLINTH	1
623	PLINTH COVER	1
624	PLINTH COVER HINGE	1
625	PLINTH COVER PIM	1
626	PLINTH MAGNET	1
627	DOOR LATCH	1
628	REAR COVER GR	1

8. DRUM PARTS

NO	PART NAME	QUANTITY
700	DRUM	1
701	BELT	1
702	PLASTIC LIFTER	2
904	5 X 20 PLASTIC SCREW	6

9. PACKING GROUP PARTS

NO	PART NAME	QUANTITY
800	TOP CARTON	1
801	CORNER HARDBOARD	1
802	REAR LEFT STYROFOAM	1
803	FRONT LEFT STYROFOAM	1
804	REAR RIGHT STYROFOAM	1
805	FRONT RIGHT STYROFOAM	1
806	BOTTOM STYROFOAM	1