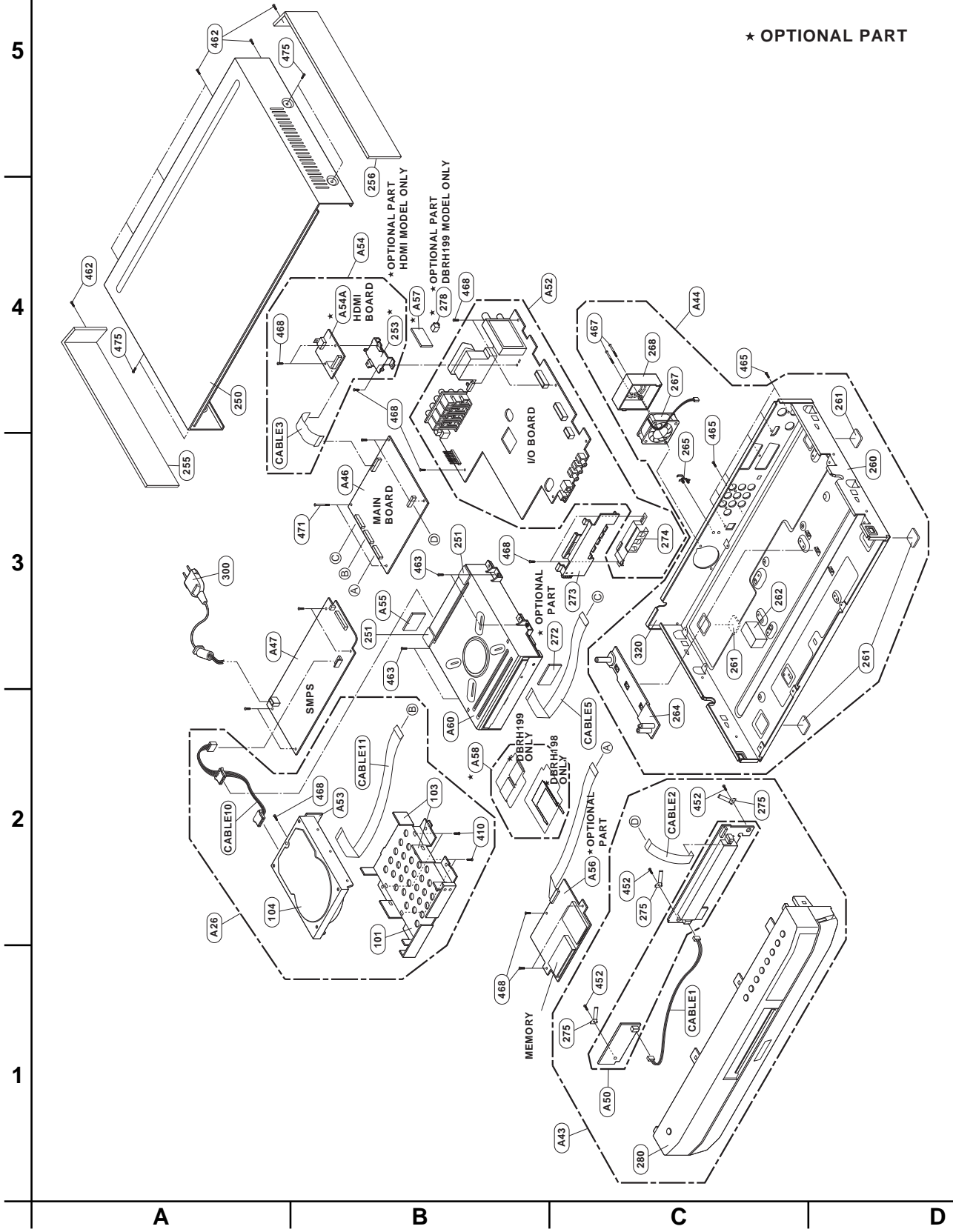


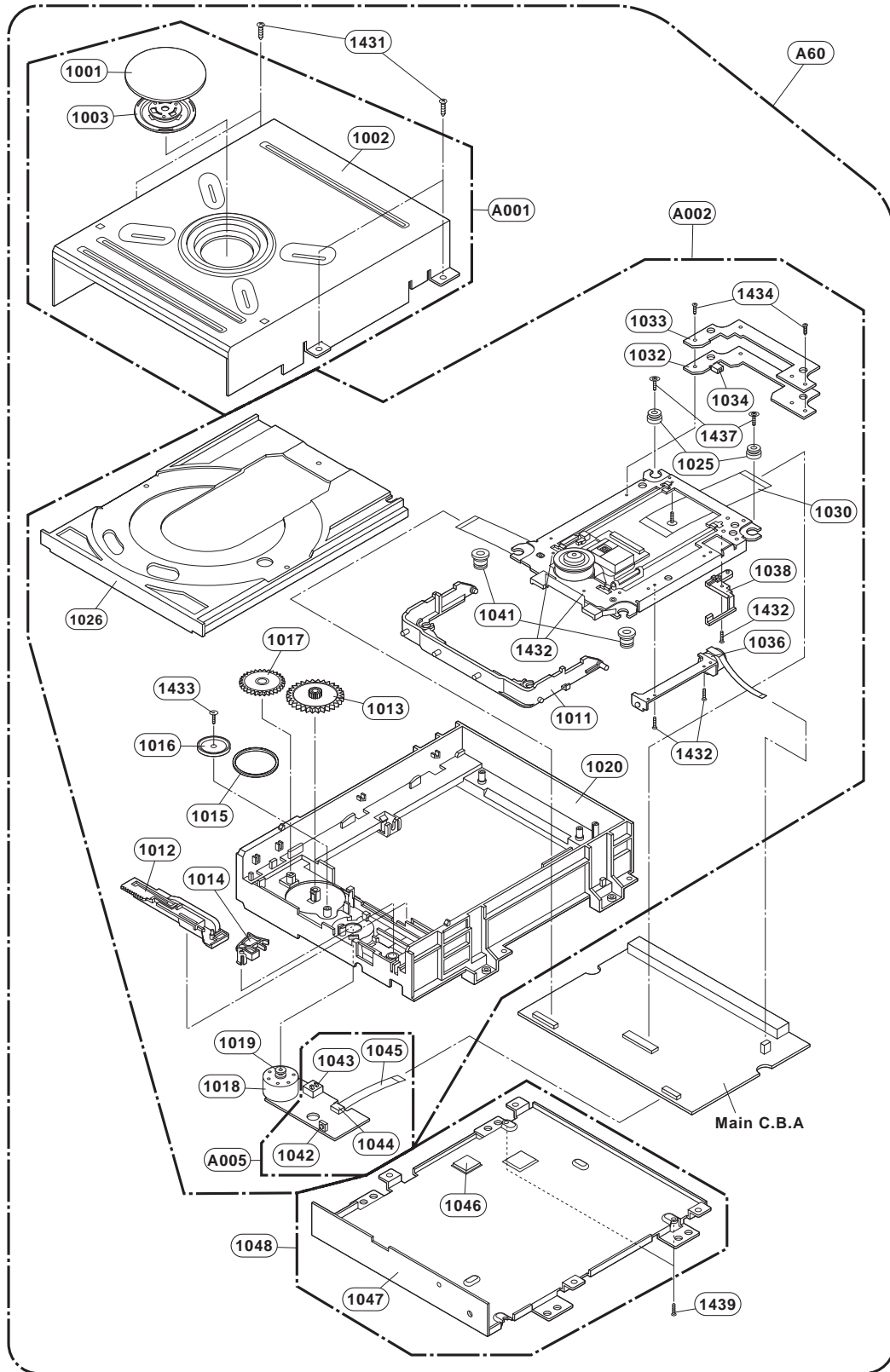
EXPLODED VIEWS

1. CABINET AND MAIN FRAME SECTION

★ OPTIONAL PART



2. DECK MECHANISM SECTION(RS-01A)



3. PACKING ACCESSORY SECTION

