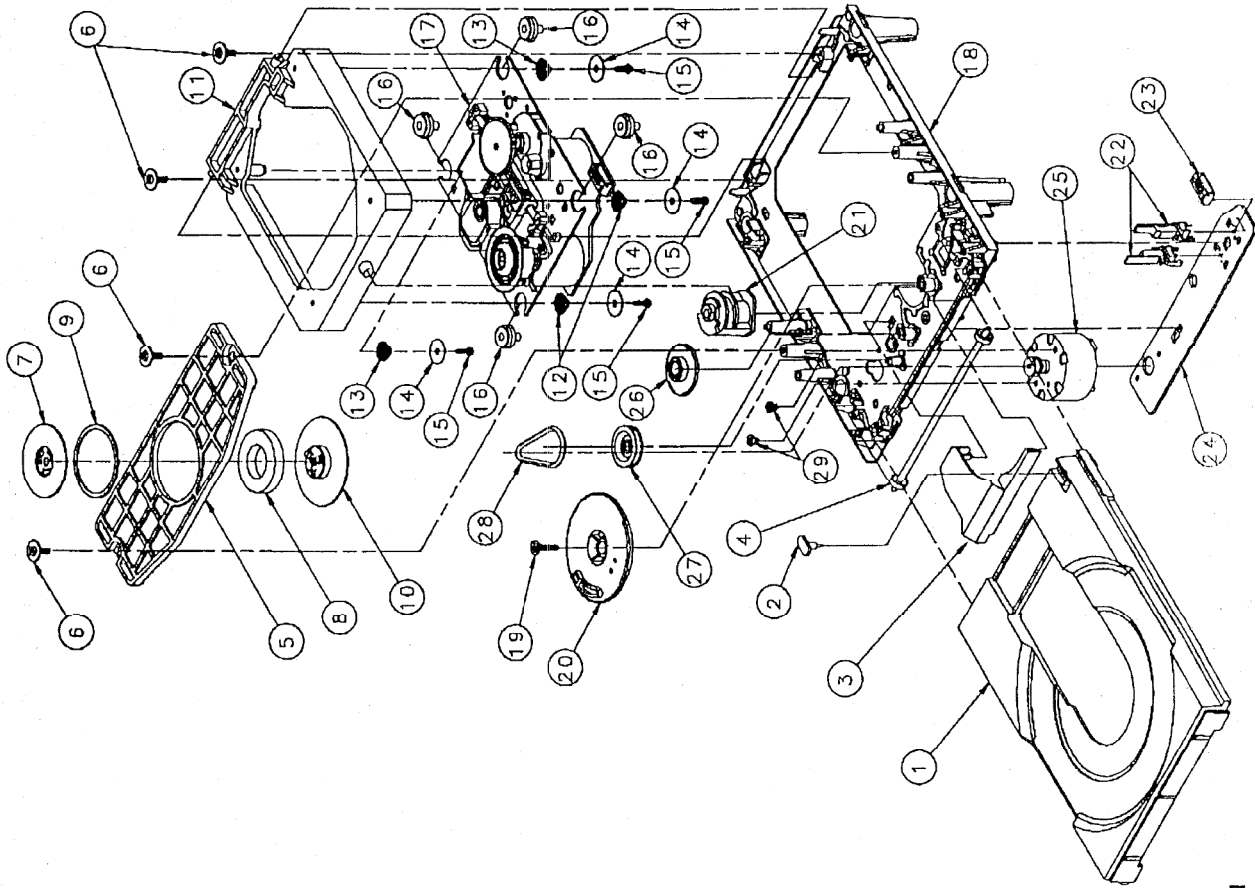


# MECHANISM ASS'Y

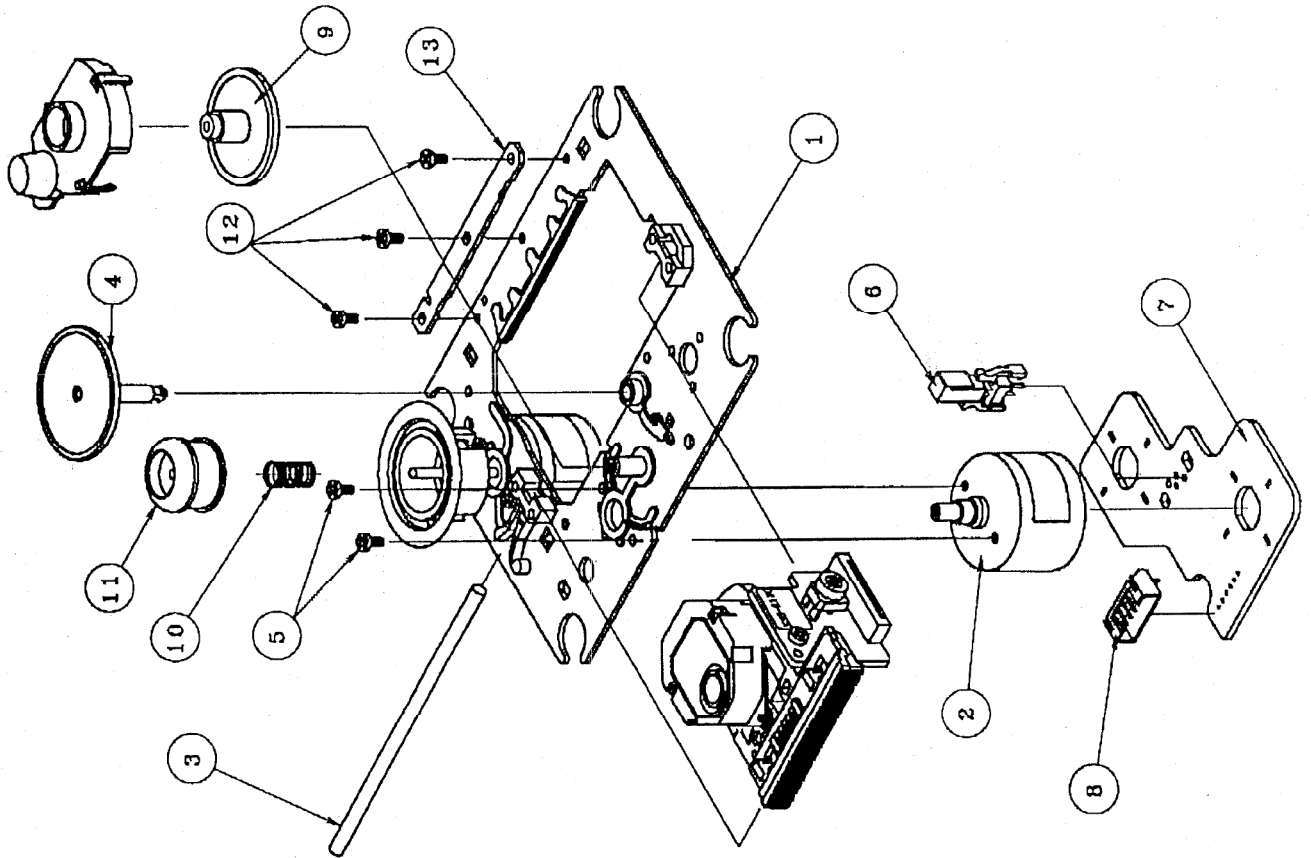
KSL-2130CCM 分解图  
Disassembly Drawing



## MECHANISM KSL2130CCM VIEW-1

REF. NO.	PARTS NO.	DESCRIPTION	REMARKS
1-1	9A07979600	TRAY (C) VACANT	2-646-290-01
1-3	9A07979700	GEAR COVER (S)	2-625-544-01
1-4	9A07268600	TRAY GEAR (S)	2-625-535-01
1-5	9A07268900	CHUCKING PLATE	2-625-546-01
1-6	9A07269900	+PTPWH 2.6*7	2-626-294-01
1-7	9A06965300	YOKE (S), CHUCKING	2-625-537-01
1-8	9A06965400	MAGNET	1-452-493-21
1-9	9A07268700	DAMPA	2-625-541-02
1-10	9A07979800	CHUCKING PULLY	2-625-548-01
1-11	9A07979900	SUB CHASSIS 2130	2-646-288-01
1-12	9A07980000	COIL SPRING (FRONT)	2-627-236-01
1-13	9A07980100	COIL SPRING (BACK)	2-627-235-01
1-14	9A07980200	WASHER 2130	2-646-289-01
1-15	9A07980300	SCREW +P2.6*10	7-685-135-11
1-16	9A07980400	INSULATOR	2-627-234-01
1-17	9A07980500	MD ASSY	A-4912-186-A
1-18	9A07980600	OUTSERT MAIN CHASSIS (S)	2-625-552-06
1-19	9A06966200	SCREW + PTPWH 2.6X16	3-319-501-51
1-20	9A07980700	DRIVE GEAR (S)	2-625-547-01
1-21	9A07269000	CONTROL CAM (S)	2-625-545-04
1-22	9A07268000	LEAF SW	1-692-667-11
1-23	9A06966600	PIN, CONNECTOR 5P	1-564-721-11
1-24	9A06966700	PC BOARD, LOADING	1-640-523-11
1-25	9A06966800	MOTOR ASSY, LOADING	X-2625-117-1
1-26	9A07980800	MIDWAY GEAR (S)	2-625-274-02
1-27	9A07268600	LOADING PULLY	2-625-536-02
1-28	9A07980900	LM BELT	3-653-387-00
1-29	9A06967200	SCREW +B2.6X2.5	2-625-279-01

KSM-213CCM 分解图  
Disassembly Drawing



MECHANISM KSL2130CCM VIEW-2

REF. NO.	PARTS NO.	DESCRIPTION	REMARKS
2-1	9A07981000	MOTOR CHASSIS ASS'Y (MB)	X-2625-984-1
2-2	9A07981100	MOTOR GEAR ASS'Y	X-2625-769-1
2-3	9A07269800	SLED SHAFT (S)	2-626-908-01
2-4	9A07981200	GEAR (A)(S)	2-625-188-02
2-5	9A06968600	SCREW +P2X3	7-621-255-15
2-6	9A07981300	LEAF SWITCH	1-572-085-11
2-7	9A06968300	PC BOARD MOTOR (6P) (S)	1-639-678-12
2-8	9A06968500	PIN, CONNECTOR 6P	1-564-722-11
2-9	9A07981400	GEAR (B)(RP)	2-627-003-02
2-10	9A07981500	SPRING (S), COMPRESSION	2-625-191-01
2-11	9A06967800	RING (LO)(S), CENTER	2-625-477-01
2-12	9A06967500	SCREW (2X6), TAPPING (S)	2-641-386-01
2-13	9A06967600	REINFORCEMENT(S)	2-625-625-01

