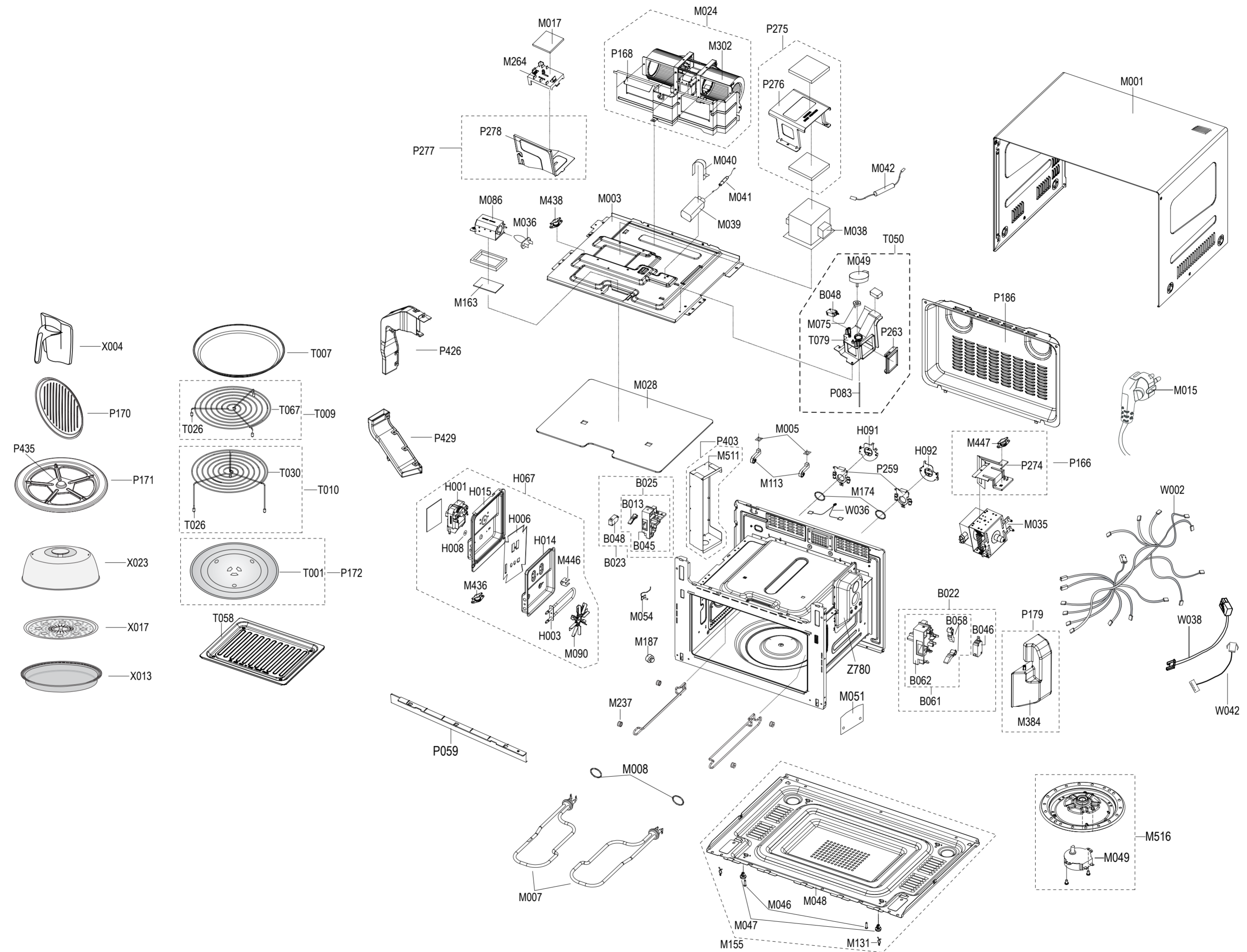


5. Exploded Views and Parts List

5-1 Exploded Views



5-2 Main Parts List

(SNA : SERVICE NOT AVAILABLE)

No.	Code No.	Description	Specification	Q'ty	SA/ SNA	Remark
B013	DE66-00223A	LEVER-SWITCH L	TRIO PLUS,PA,NON-FLAMMABL	2	SA	-
B022	DE94-02203B	ASSY BODY LATCH-R	CP1395EST,TRIO PLUS SE	1	SNA	-
B023	DE94-02200A	ASSY BODY LATCH-L	TRIO PLUS,NYLON#66 GF1	1	SA	-
B025	DE94-02201A	ASSY BODY LATCH SUB-L	TRIO PLUS,NYLON#66	1	SA	-
B045	DE61-01226A	BODY-LATCH L	TRIO PLUS,PA,TURN TABLE TYP	1	SA	-
B046	3405-001032	SWITCH-MICRO	125/250VAC,16A,200GF,SPDT	2	SA	-
B048	3405-001034	SWITCH-MICRO	125/250VAC,16A,200gf,SPST-N	1	SA	-
B048	3405-001034	SWITCH-MICRO	125/250VAC,16A,200gf,SPST-N	1	SA	-
B058	DE66-00224A	LEVER-SWITCH R	TRIO PLUS,PA,NON-FLAMMABL	2	SA	-
B061	DE94-02202A	ASSY BODY LATCH SUB-R	TRIO PLUS,NYLON#66	1	SA	-
B062	DE61-01227A	BODY-LATCH R	TRIO PLUS,PA,TURN TABLE TYP	1	SA	-
H001	DE31-00062A	MOTOR CONVECTION	SMC-M159E,220/230V-60/5	1	SA	-
H003	DE47-00049A	HEATER-CONVECTION	SHC-E135A,CP135S,420W,	1	SA	-
H006	DE62-00090A	ADIABATIC-CASING	TRIO PLUS,F/GLASS,T3.0,	1	SA	-
H008	6031-001544	WASHER-PLAIN	SECC,ID4,OD16,T1,ZNC3,ID3	1	SA	-
H014	DE61-01224A	BRACKET-CASING	TRIO PLUS,ALSTAR,T0.5,W22	1	SA	-
H015	DE63-00625A	COVER-CASING	TRIO PLUS,SECC,T0.6,TURN-TA	1	SA	-
H067	DE94-02210A	ASSY CASING	CP1370 / CPS1390,TRIO PLUS L	1	SA	-
H091	DE61-00973A	STOPPER-GRILL HEATER(L)	AURORA,SECC,T0.8	1	SNA	-
H092	DE61-00974A	STOPPER-GRILL HEATER(R)	AURORA,SECC,T0.8	1	SNA	-
M001	DE64-02317B	PANEL-OUTER	CP1395EST,EGI-SECC,T0.5,W520	1	SNA	-
M003	DE61-00964A	BRACKET-UPPER	AURORA,SECC,T0.8,W480,L400	1	SNA	-
M005	DE61-70060A	SPRING-PLATE	-,SK-5,T0.5,-,-,-,-,-,-,-	2	SA	-
M007	DE47-00045D	HEATER-GRILL	SHG-E365B,CP1370,750W,230V,	2	SA	-
M008	DE63-20017A	GASKET-HEATER	-,BRASS,T1.5,OD30.5,ID22.5	2	SA	-
M015	DE96-00385A	ASSY POWER CORD	CEE,Straight,250V/16A,H0	1	SA	-
M017	DE96-00399F	ASSY NOISE FILTER	AURORA STEAM,SN-UF11F,	1	SA	-
M024	DE90-00938A	ASSY MOTOR-VENTILATION	-,-,220V,-,AURORA	1	SA	-
M028	DE62-00063A	ADIABATIC-UPPER	AURORA PROJECT,F/GLASS,3	1	SA	-
M035	OM75P(20) MTMN	ASSY-MGT		1	SA	-
M036	4713-001046	LAMP-INCANDESCENT	240V,104mA,25W,ORG,25x	1	SA	-
M038	DE26-00149A	TRANS H.V	SHV-E10A,230V,50Hz,2435V/3.30V	1	SA	-
M039	2501-001015	C-OIL	1.0uF,2100V,BK,35X54X80,20mm	1	SA	-
M040	DE61-00139A	BRACKET-HVC	NC2000,SECC,T0.8,-,-,-,0.6/0	1	SA	-
M041	DE59-00002A	DIODE-H.V	MWO ALL,2CL4512H,-,450mA 13KV,	1	SA	-
M042	DE91-70061B	ASSY H.V.FUSE	-,THV060T-0750-H,5KV/0.75A	1	SA	-
M046	DE60-60025A	PIN-FOOT	-,,-,-,-,-,-,-,-,-	4	SA	-
M047	DE61-40065A	FOOT	-,PP,T2x22x17mm,BLK,-,-,-	4	SA	-
M048	DE61-01220A	BASE-PLATE	TRIO PLUS,SGCC,T0.6,TURN TABL	1	SNA	-
M049	DE31-10170A	MOTOR SYNCHRONOUS	M2LJ24Z702,ST-16F,220/	1	SA	-
M049	DE31-10098A	MOTOR SYNCHRONOUS	M2LB24ZR92,220/240V,50	1	SA	-

5-2 Main Parts List (Continued)

(SNA : SERVICE NOT AVAILABLE)

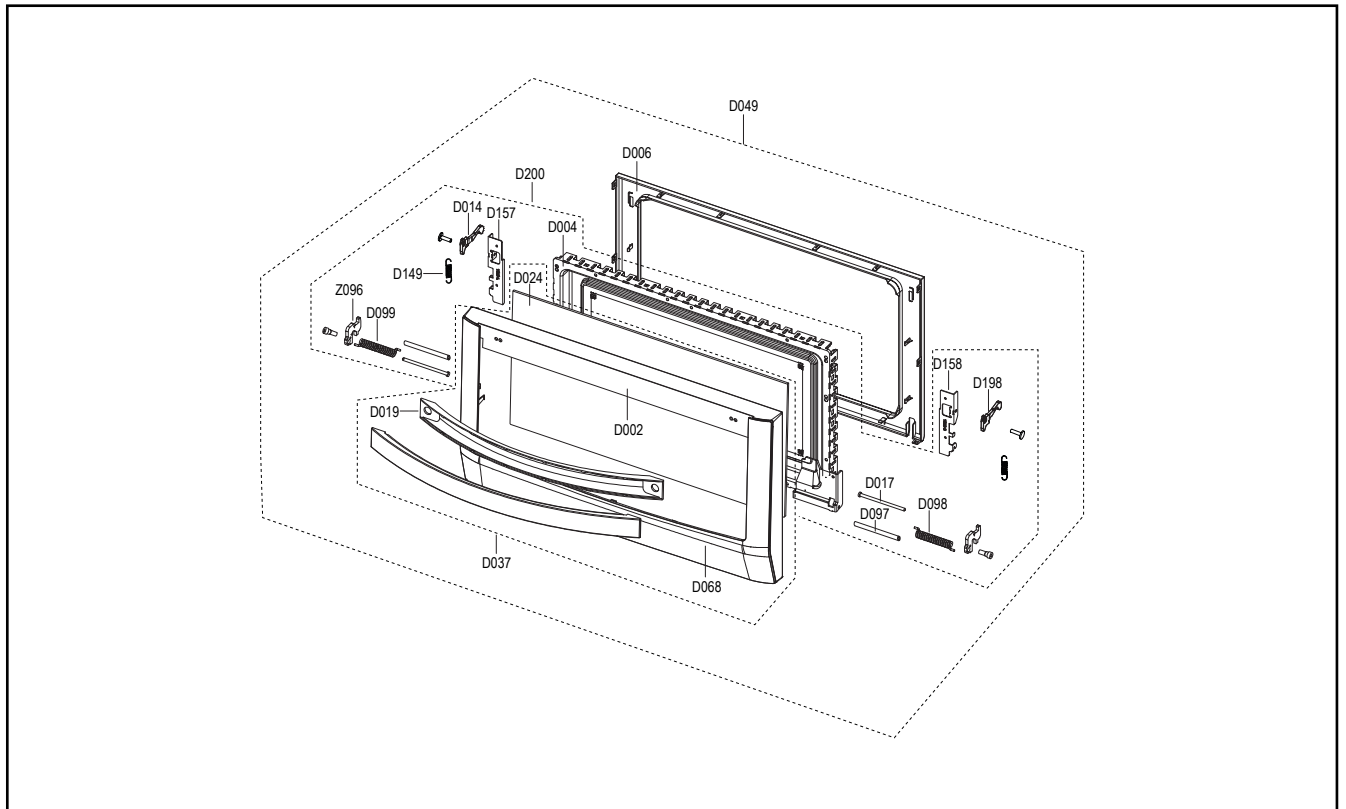
No.	Code No.	Description	Specification	Q'ty	SA/ SNA	Remark
M051	DE63-00623A	COVER-CEILING	ATAG BI MWO,MICA SHEET,T=0	1	SA	-
M054	DE32-10013A	SENSOR THERMISTOR	PTM-K312-K2,1Kohm,-,-2	1	SA	-
M075	DE66-00176A	CAM-MOTOR	1.5CONV,POM(K300NTR)	1	SA	-
M086	DE63-00460A	COVER-LAMP	AURORA,STS430,T0.4,W42.4,L34.	1	SA	-
M090	DE67-00226A	FAN-CONVECTION	AURORA,ALSTAR,T0.6,W125,L	1	SA	-
M113	DE61-01030A	SUPPORT-HEATER	AURORA,ALUMINA,T12,-,-,IV	2	SA	-
M131	DE65-20005A	WIRE-SADDLE	2N,-,-,-,-	1	SA	-
M155	DE94-02199A	ASSY BASE PLATE	TRIO PLUS,SGCC,T0.6	1	SA	-
M163	DE64-01917A	GLASS-LAMP	AURORA PROJECT,GLASS,T=2.0,CL	1	SA	-
M174	DE63-00132A	GASKET-TEFLON	PG81/PG83,TEFLON,T1.5,PI28	2	SNA	-
M187	DE61-00603A	STOPPER	CE1100,Alumina,-,-,-,-,1.1Aqua C	1	SA	-
M237	DE61-01246A	HOLDER-SUPPORT(REAR)	TRIO-PLUS,TEFLON,WH	2	SA	-
M264	DE61-01003A	HOLDER-NOISE FILTER	AURORA,PP(TB53),-,-,-	1	SA	-
M302	DE31-00051A	MOTOR BLOWER	SMB-E365A,230V/50Hz,2300RPM	1	SA	-
M436	DE47-20009A	THERMOSTAT	NT-101,250V 10A/125V 15A,150(1	SA	-
M438	DE47-20005A	THERMOSTAT	-,NT-101,250V 10A/125V 15A,-,	1	SA	-
M446	DE61-01221A	SUPPORT-HEATER FIXER	TRIO-PLUS,STS304,T0	1	SA	-
M447	DE47-20010A	THERMOSTAT	-,NT-101,250V 10A/125V 15A,-,	1	SA	-
M511	DE67-00257A	DUCT-INNER	CP1370,EGI-SECC,T0.5,TRIO PLU	1	SA	-
M516	DE96-00837A	ASSY SENSOR-WEIGHT SYSTEM	CP1370,WEIGHT	1	SA	-
P059	DE63-00481A	COVER-FRONT	AURORA PROJECT,PP TB53,-,-,-	1	SA	-
P083	DE72-00040B	DAMPER-PIN	AURORA PROJECT,MSWR,PI=2,AURO	1	SA	-
P166	DE97-00736A	ASSY GUIDE AIR-MGT	AURORA PROJECT,-,1.3	1	SA	-
P168	DE94-01838A	ASSY BRACKET-VENT(A)	HS-C364AB,-,-,AUROR	1	SA	-
P170	DE63-00637A	TRAY-DEFROST	TRIO PLUS,ABS,78268 (LIGHT	1	SA	-
P171	DE61-01237A	SUPPORT-TRAY	TRIO PLUS-WEIGHT SENSOR,ALC	1	SA	-
P172	DE97-00750A	ASSY TRAY-COOKING	CP1370,DECAL FILM PRIN	1	SA	-
P179	DE94-01704A	ASSY GUIDE AIR-DAMPER	-,-,AURORA PROJECT	1	SA	-
P186	DE63-00455A	COVER-BACK	AURORA,SGCC,T0.6,W520,L370,-,	1	SA	-
P259	DE61-00972A	BRACKET-GRILL HEATER	AURORA,STS430,T0.5,	2	SA	-
P263	DE66-00194A	DAMPER	AURORA,NYLON #66,-,-,-,-, BLACK,15	1	SA	-
P274	DE61-01014A	GUIDE AIR-MGT	AURORA PROJECT,SECC,T0.5,-	1	SA	-
P277	DE94-01840A	ASSY BRACKET-VENT(B)	HS-C364AB,-,-,AUROR	1	SNA	-
P278	DE61-00993A	BRACKET-VENT(B)	AURORA,SECC,T0.5,W220,L1	1	SNA	-
P403	DE94-02223B	ASSY DUCT-INNER	CP1395EST,SECC,T0.5,TRIO	1	SA	-
P426	DE94-02240A	ASSY GUIDE AIR-UPPER	CP1370,WEIGHT SENSO	1	SA	-
P429	DE94-02241A	ASSY GUIDE AIR-LOWER	CP1370,WEIGHT SENSO	1	SA	-

5-2 Main Parts List (Continued)

(SNA : SERVICE NOT AVAILABLE)

No.	Code No.	Description	Specification	Q'ty	SA/ SNA	Remark
P435	DE94-02237A	ASSY BRACKET-SUPPORT TRAY	CP1370,WEIGHT	1	SA	-
T001	DE74-20002B	TRAY-COOKING	-,GLASS,T6,HKG,PI360,1.2CUF	1	SA	-
T007	DE63-00630A	TRAY-BROILER	TRIO PLUS,ALUMINIUM,T0.8,D3	1	SA	-
T009	DE97-00136B	ASSY WIRE RACK	CK95,-,LOW-RACK	1	SA	-
T010	DE97-00136D	ASSY WIRE RACK	CK135,-,HIGH-RACK	1	SA	-
T026	DE61-00389A	FOOT-RACK	PG81/83,SILICON,0.8 POWER-GRIL	3	SA	-
T026	DE61-00389A	FOOT-RACK	PG81/83,SILICON,0.8 POWER-GRIL	3	SA	-
T030	DE74-00018C	RACK-WIRE	MSWR10,PI3.0,CK135,268,121,SNC	1	SNA	-
T050	DE97-00715A	ASSY DAMPER	AURORA PROJECT,-,BLACK	1	SA	-
T058	DE97-00745C	ASSY-TRAY OVEN	CQV137(Aurora-Steam),-,Te	1	SA	-
T067	DE74-00018B	RACK-WIRE	CK95,MSWR10,D268,-,H35,-,SNC2,	1	SA	-
T079	DE61-00999A	GUIDE-DAMPER	AURORA,NYLON#66,-,,-,BLK,1	1	SA	-
W002	DE96-00814C	ASSY WIRE HARNESS-A	CP1395EST,230V/50HZ,	1	SNA	-
W036	DE96-00705A	ASSY WIRE HARNESS-EARTH	-,1.3CONVECTIO	1	SA	-
W038	DE96-00820B	ASSY WIRE HARNESS-B	CP1395EST,230V50HZ,T	1	SNA	-
W042	DE96-00315C	ASSY WIRE HARNESS-S	CP1395EST,230V50HZ,T	1	SNA	-
X004	DE99-00242T	ASSY-CLEAN WATER BOWL	1.1 STEAM CONV,SPS	1	SA	-
X013	DE63-00513A	TRAY-STEAMER	CE117AE-X,ALUMINIUM,T1.0,25	1	SA	-
X017	DE70-00565A	SHEET-PLATE STEAMER	CE117AE-X,AL,T1.0,TE	1	SA	-
X023	DE94-01759B	ASSY STEAMER SUB	HV-363AWS,STSS202+buffi	1	SA	-
Z780	DE61-01201A	GUIDE-WAVE	ATAG BI MWO,SPP,T0.6,W215,L30	1	SA	-

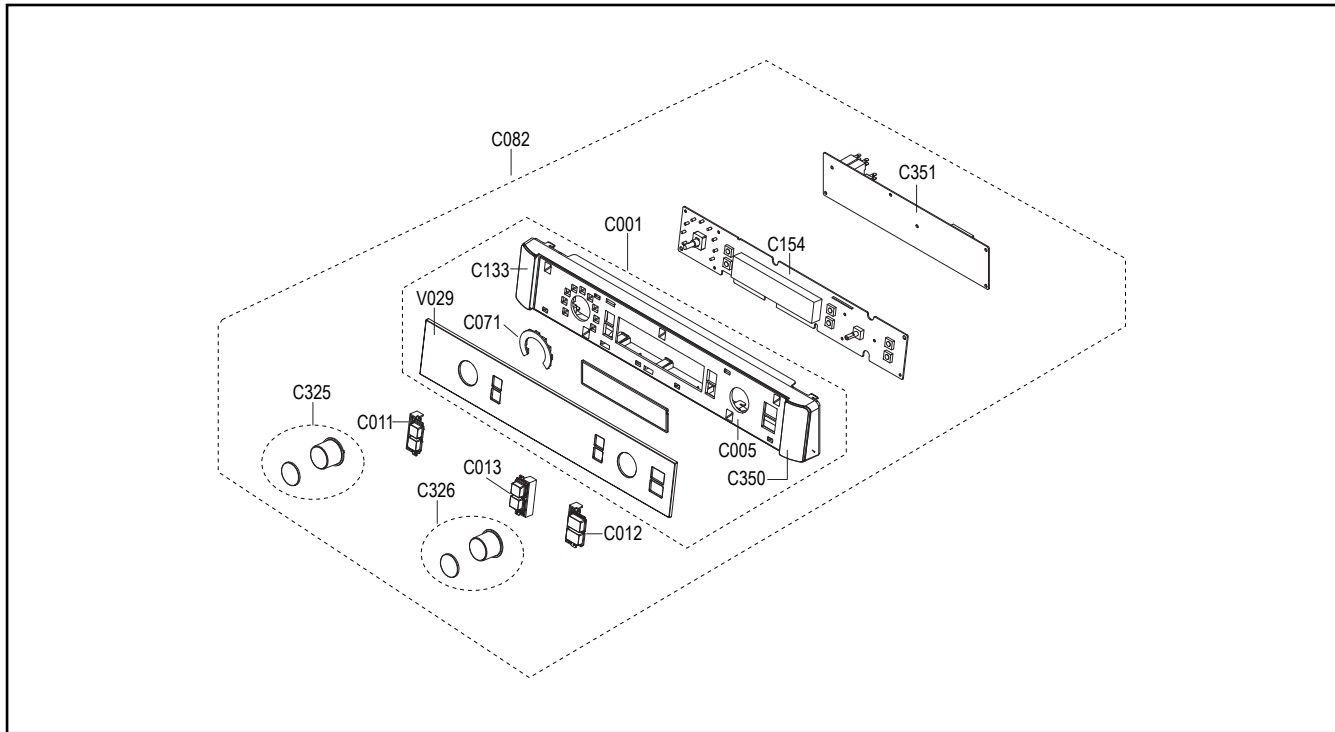
5-3 Door Parts List



(SNA : SERVICE NOT AVAILABLE)

No.	Code No.	Description	Specification	Q'ty	SA/SNA	Remark
D002	DE64-02315C	DOOR-A	CPS1390EST,PC,NEO STS SILVER,TRIO	1	SA	-
D004	DE94-02197A	ASSY DOOR E-SEALANT	TRIO PLUS,SGCC1,BLAC	1	SA	-
D006	DE64-02314A	DOOR-C	TRIO PLUS,PBT (GF15%),BLACK,TURN	1	SA	-
D014	DE64-02324A	KEY-DOOR (L)	TRIO PLUS,DIECASTING,Zn COA	1	SA	-
D017	DE60-60008A	PIN-HINGE	-,M301TBC,-,-,MSWR10,-,-,-	2	SA	-
D019	DE64-02338A	HANDLE DOOR	CPS1390EST,STAINLESS-ST3430,	1	SNA	-
D024	DE64-02319A	SCREEN-DOOR(B)	TRIO PLUS,GLASS,T3.2,CLEA	1	SNA	-
D037	DE94-02195C	ASSY DOOR A	CP1395EST,PC 141R,NEO SILVER	1	SNA	-
D049	DE94-02194C	ASSY DOOR	CP1395EST,PC 141R,NEO SILVER +	1	SNA	-
D068	DE64-02306A	CHASSIS-DOOR	TRIO PLUS,STS,T0.4,HAIR LIN	1	SA	-
D097	DE66-00190A	SHAFT-HINGE	FQ159ST,SUM24L	2	SA	-
D098	DE61-01254A	SPRING ETC-HINGE(R)	TRIO PLUS,PWB-SWPB,P	1	SA	-
D099	DE61-01253A	SPRING ETC-HINGE(L)	TRIO PLUS,PWB-SWPB,P	1	SA	-
D149	DE64-02344A	KEY-SPRING	CP1370,PWA-SWPA,BLACK,TRIO PL	2	SA	-
D157	DE61-01248A	BRACKET-KEY DOOR(L)	TRIO PLUS,SCP1,T1.0,	1	SNA	-
D158	DE61-01249A	BRACKET-KEY DOOR(R)	TRIO PLUS,SCP1,T1.0,	1	SNA	-
D198	DE64-02323A	KEY-DOOR (R)	TRIO PLUS,DIECASTING,Zn COA	1	SA	-
D200	DE94-02222A	ASSY DOOR E-SUB	CP1370,PC,BLK,TRIO PLUS	1	SA	-
Z096	DE61-01250A	HINGE-DOOR	TRIO PLUS,SCP1,T4.0,TURN TABL	2	SA	-

5-4 Contorl Parts List



(SNA : SERVICE NOT AVAILABLE)

No.	Code No.	Description	Specification	Q'ty	SA/SNA	Remark
C001	DE94-02193C	ASSY CONTROL PANEL	CP1395EST,STS,PC 141R	1	SNA	-
C005	DE64-02307C	CONTROL-PANEL	CPS1390,PC,NEO STS SILVER,	1	SA	-
C011	DE64-02309B	BUTTON-SELECT(A)	CPS1390EST,ABS,BLACK,TR	1	SA	-
C012	DE64-02310A	BUTTON-SELECT(B)	TRIO PLUS,ABS,BLACK,TUR	1	SA	-
C013	DE64-02332B	BUTTON-SELECT(C)	CPS1390EST,ABS,BLACK,TR	1	SA	-
C071	DE63-00635A	COVER-LED	TRIO-PLUS,ABS,T2.0,WHT,LDW68,	1	SA	-
C082	DE94-02192C	ASSY CONTROL BOX	CP1395EST,230V/50Hz,STS	1	SNA	-
C133	DE64-02388A	CHASSIS-PANEL L	TRIO PLUS,STAINLESS-STS4	1	SA	-
C154	DE96-00839A	ASSY DISPLAY	CP1395EST,DAM-ATLCD-00,WHIT	1	SNA	-
C325	DE94-02217C	ASSY KNOB-L	CPS1390,ABS,BLK + VICTORY	1	SNA	-
C326	DE94-02218B	ASSY KNOB-R	CP1395EST,ABS,BLK + VICTORY	1	SNA	-
C350	DE64-02389A	CHASSIS-PANEL R	TRIO PLUS,STAINLESS-STS4	1	SA	-
C351	RCS-ALCD-01	PCB MODEL,RCS-ALCD-01		1	SA	-
V029	DE64-02308C	WINDOW-PANEL	CPS1390EST,ABS,CLEAR,TRIO P	1	SA	-

5-5 Standard Parts List

(SNA : SERVICE NOT AVAILABLE)

LEVEL	Code No.	Description	Specification	Q'ty	SA/SNA	Remark
1-1	6001-000033	SCREW-MACHINE	TH,+,-,M4,L10,PASS,STS304,	1	SNA	-
1-1	6001-002029	SCREW-MACHINE	FH,+ ,M5,L20,PASS,STS304,KS	2	SNA	-
1-1	6002-000413	SCREW-TAPPING	TH,+ ,2S,M4,L8,BLK	1	SNA	-
1-1	6002-000526	SCREW-TAPPING	TH,+ ,2S,M4,L12,PASS,STS304	3	SNA	-
1-1	6002-000630	SCREW-TAPPING	PH,+,-,2S,M3,L8,ZPC(WHT),S	1	SNA	-
1-1	6002-001174	SCREW-TAPPING	FH,+,-,2S,M4,L12,NI PLT,SW	4	SNA	-
1-1	6002-001321	SCREW-TAPPING	PWH,+ ,2S,M5,L10,ZPC(WHT),S	4	SNA	-
1-1	6006-001170	SCREW-TAPPING	TH,+ ,WT,TC,M4,L10,ZPC(WHT)	3	SA	-
1-1	6006-001174	SCREW-TAPPING	TH,+ ,WE,2S,M4,L12,ZPC(WHT)	31	SA	-
1-1	6006-001176	SCREW-TAPTTYPE	PH,+ ,WT,B,M4,L8,ZPC(WHT),S	8	SNA	-
1-1	DE60-30015A	NUT-FLANGE	-,MSWR10,P0.8,-,-,-,FEFZY,-,-	4	SA	-
1-1	DE60-30016A	NUT-FLANGE	-,MSWR10,-,-,-,-,-,-	1	SA	-
1-2	6006-001174	SCREW-TAPPING	TH,+ ,WE,2S,M4,L12,ZPC(WHT)	4	SA	-
1-2	6006-001176	SCREW-TAPTTYPE	PH,+ ,WT,B,M4,L8,ZPC(WHT),S	2	SNA	-
1-2	6002-000630	SCREW-TAPPING	PH,+,-,2S,M3,L8,ZPC(WHT),S	12	SNA	-
1-2	6002-000630	SCREW-TAPPING	PH,+,-,2S,M3,L8,ZPC(WHT),S	6	SNA	-
1-2	6002-001320	SCREW-TAPPING	TH,+ ,2S,M4,L8,PASS,STS304,	2	SNA	-
1-2	6006-001171	SCREW-MACHINE	WS,PH,+ ,M4,L8,NI PLT	4	SNA	-
1-2	6021-001149	NUT-HEXAGON FLANGE	M4,NI,SWRCH10A,LEFT T	1	SNA	-
1-2	6002-000170	SCREW-TAPPING	PH,+ ,2S,M3,L6,ZPC(WHT),SWR	1	SNA	-
1-2	DE60-10052A	SCREW-TAPPING	-,FEFZY,-,PH,M4,-,L8,-,-	5	SNA	-
1-2	6002-000171	SCREW-TAPPING	PH,+,-,2S,M4,L10,ZPC(WHT),	2	SNA	-
1-2	6002-000488	SCREW-TAPPING	PH,+,-,2S,M3,L16,ZPC(WHT),	1	SNA	-
1-3	6002-000234	SCREW-TAPPING	TH,+,-,2S,M4,L16,ZPC(WHT),	2	SNA	-
1-3	DE60-10052A	SCREW-TAPPING	-,FEFZY,-,PH,M4,-,L8,-,-	3	SNA	-
1-3	6002-001079	SCREW-TAPPING	TH,+,-,2S,M4,L10,PASS,STS3	1	SNA	-
1-4	6002-000630	SCREW-TAPPING	PH,+,-,2S,M3,L8,ZPC(WHT),S	5	SNA	-