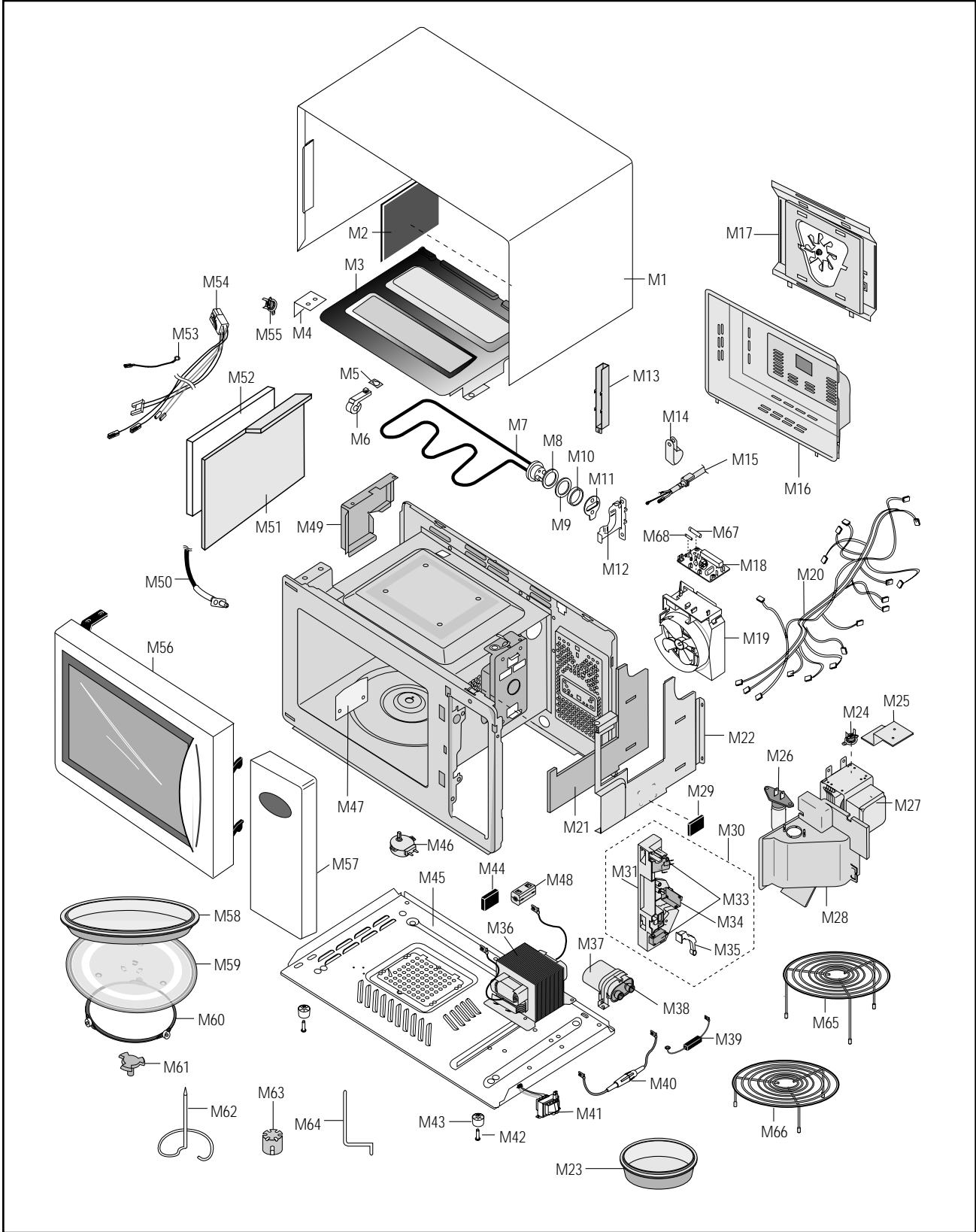


7. Exploded Views and Parts List

7-1 Exploded Views



7-2 Main Parts List

Ref. No.	Parts No.	Description/Specification	Q'ty	Remarks
M 1	DE70-30001A	PANEL-OUTER;SECC,T0.6,360,1128,EPOXY-COATI	1	
M 2	DE63-90035H	CUSHION-RUBBER;DFA20,T2,W190,L200,BLK	1	
M 3	DE61-50565A	BRACKET-UPPER;SECC,T0.5,W362,L294,-,CK95	1	
M 4	DE61-50564A	BRACKET-TCO;SECC1,T0.6,W45,L21,-,CK95	1	
M 5	DE61-70060A	SPRING-PLATE;SK-5,T0.5	1	
M 6	DE61-30006A	SUPPORTER-HEATER;ALUMINA,5G,2ND-W/P	1	
M 7	DE47-70031G	HEATER-GRILL;D6.6,230V1280W,M9G45,SJH	1	
M 8	DE63-20017A	GASKET-HEATER;BRASS,T1.5,OD30.5,ID22.5	1	
M 9	DE60-40009B	WASHER-TEFLON;SLOT,ID22.2,OD28,T1.2,TEFLON	1	
M 10	DE61-50021A	BRACKET-FLANGE;SECC1,T0.8,32,32	1	
M 11	DE61-50347A	BRACKET-EARTH;M16,T1.0,SECC,ZNC3	1	
M 12	DE61-50027B	BRACKET-HEATER;SECC,T1.0,W51,L55,CE945GF	1	
M 13	DE61-50570A	BRACKET-AIR GUIDE;ALCOAT,T0.6,W233.5,L55,-,CK95	1	
M 14	DE65-20014A	CABLE CLAMP;DA-6N,NY-66	1	P-CORD
M 15	DE39-20058C	ASSY POWER CORD;KKP-4819D/B232,250V16A,L1700,G	1	
M 16	DE71-60448A	COVER-BACK;SCP3(Cr),T0.6,-,-,-,CK95	1	
M 17	DE92-90478C	ASSY-CASING;CK95	1	
M 18	DE91-40093A	ASSY NOISE FILTER;SN-E10D,250V,10A	1	
M 19	DE31-10156A	MOTOR-FAN;SMF-945EA,230/50,2400,M97G45	1	
M 20	DE39-40758A	WIRE HARNESS-A;230V50HZ,CK95	1	
M 21	DE62-90102A	ADIABATIC-RIGHT;SUPER FINE INSULATIO,T3,W213.3	1	
M 22	DE71-60447A	COVER-ADIABATIC;SECC,T0.6,W220.3,L305.1,-,CK95	1	
M 23	DE74-20022A	TRAY-OIL;GLASS(NEOREX) T5,P1210,600G	1	CK97B/CK98F
M 24	DE47-20009A	THERMOSTAT;PW2N-520PB,160/60,250V/7.5A,H,	1	
M 25	DE61-50490A	BRACKET-TCO;SECC1,T0.6,34,58	1	
M 26	4713-001031	LAMP-INCANDESCENT;230V,173mA,40W,ORG,-,-,25x69mm	1	
M 27	DE03-30035A	MAGNETRON;OM75PH((31)ESS	1	▲
M 28	DE71-60016C	COVER-AIR;NYLON#66,-,-,-,BLK,CK95	1	
M 29	DE63-90090A	CUSHION-DOOR;PE-FOAM,T0.5,W420,L420	1	DOOR
M 30	DE93-20020D	ASSY BODY LATCH;M959/XSA	1	
M 31	DE66-40021B	LATCH-BODY;NYLON#66(2021SW),40g,M959/XSA	1	
M 33	3405-000178	SWITCH-MICRO;250V,15A,200gf,SPST-NO	2	
M 34	3405-000175	SWITCH-MICRO;250V,15A,200gf,SPST-NO	1	
M 35	DE66-90054B	LEVER-SWITCH;NYLON#66(2021SW),40G,M959/XSA	1	
M 36	DE26-10100A	TRANS-H.V.;SHV-945EG1,230V,2280V/3.15V,50	1	▲
M 37	2501-001019	C-OIL;1.10uF,2100V,BK,35X54X90,20mm	1	
M 38	DE61-50106A	BRACKET-HVC;SECC,T0.8,W31,L125.8	1	
M 39	DE59-40001A	DIODE-H.V.;HVR-1X-32B-12	1	
M 40	DE91-70061A	ASSY-H.V.FUSE;THV060T-0800-H,5KV/0.8A,WHT	1	

● : Option Parts

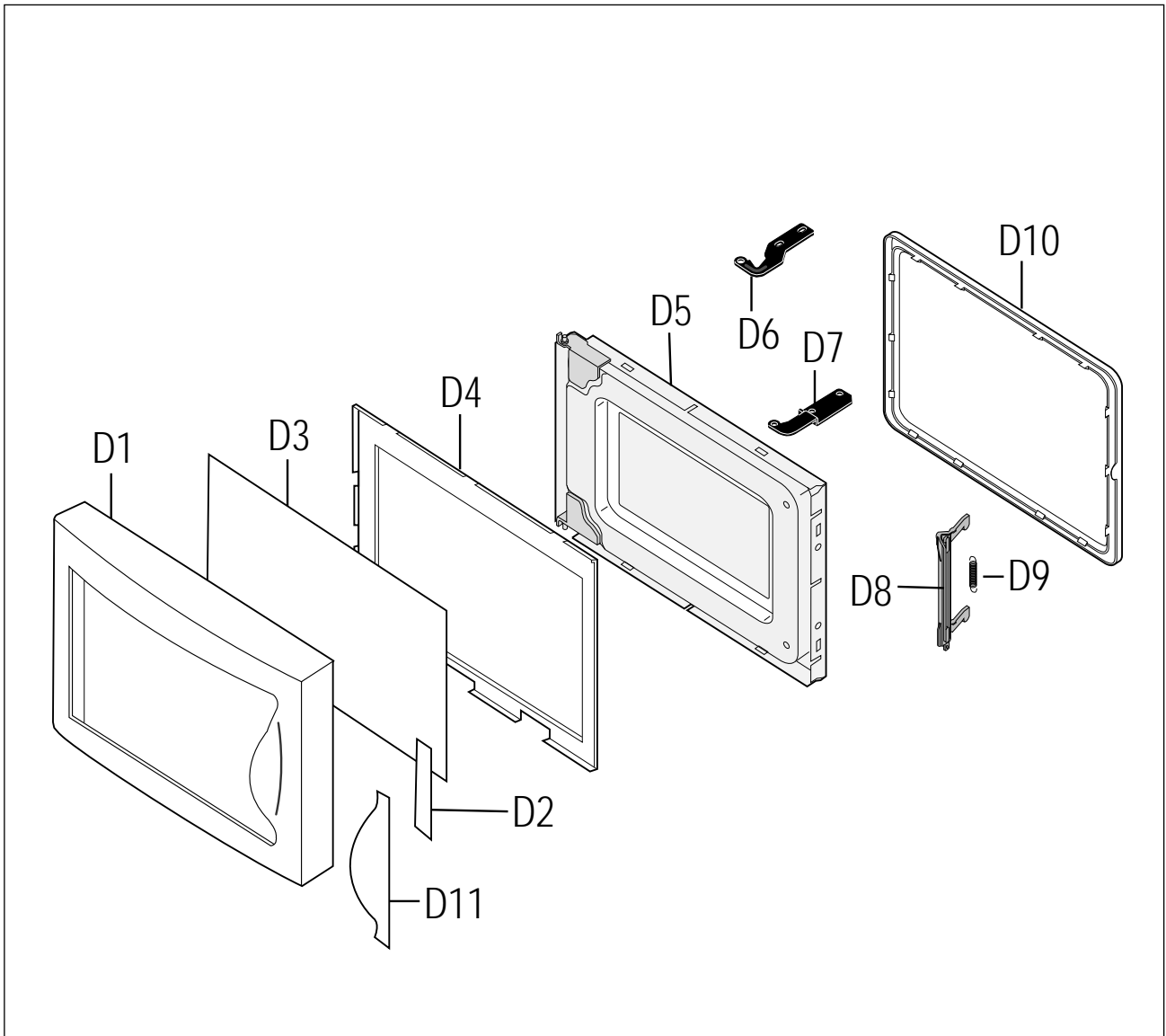
▲ : Warning

▲ :Electrostatically Sensitive Devices

7-2 Main Parts List

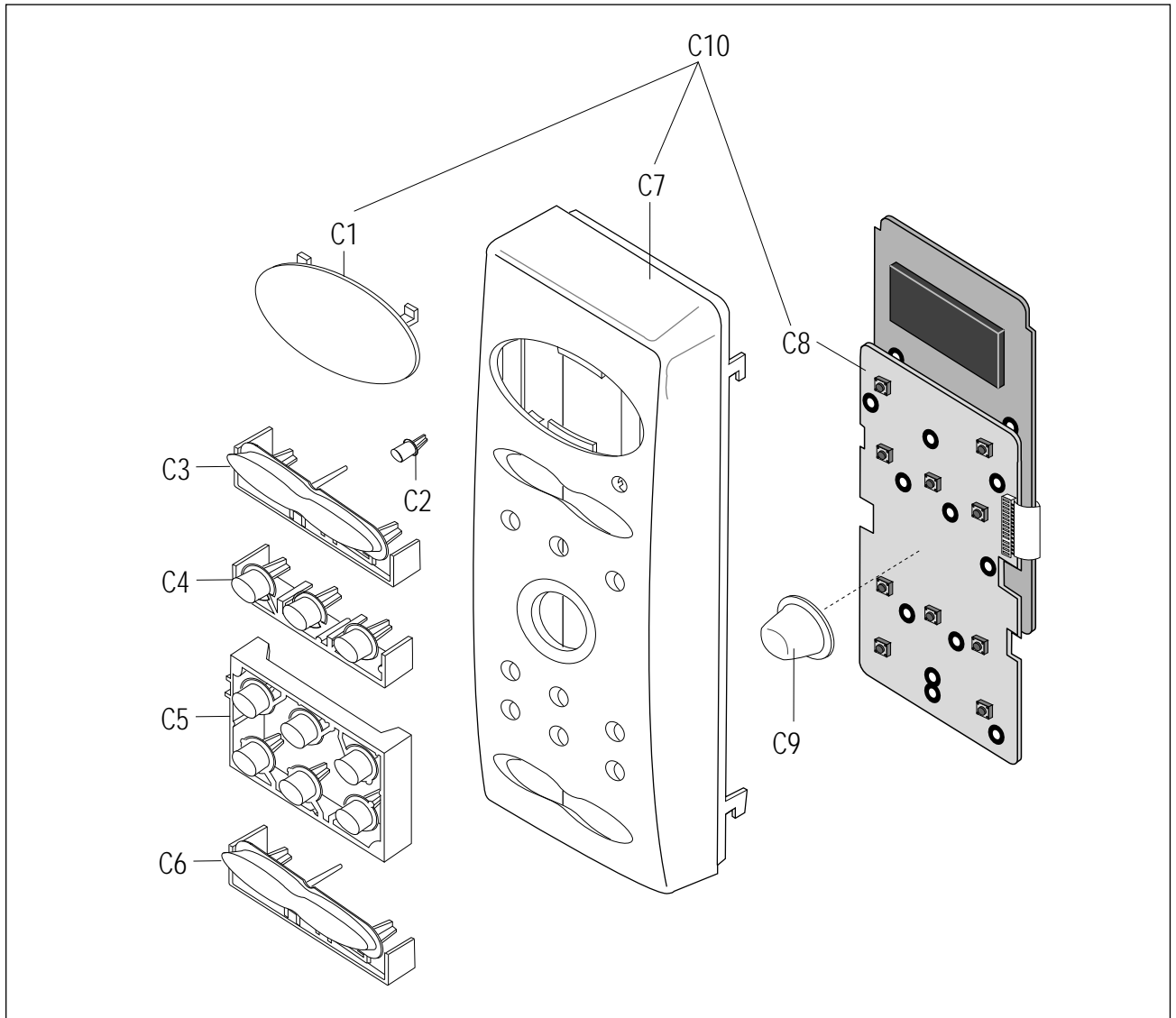
Ref. No.	Parts No.	Description/Specification	Q'ty	Remarks
M 41	DE26-20152A	TRANS-L.V;SLV-105E,230V,50HZ,AC17V/3V	1	
M 42	DE60-60025A	PIN-FOOT;PP-JI350,BLK	4	
M 43	DE61-40065A	FOOT;PP,BLK,T2x22x17mm	4	
M 44	DE63-90062C	CUSHION-H.V.T;NR,T18,W30,L50,CK95	1	
M 45	DE80-10001D	BASE-PLATE;SGCC,T0.8,W345,L565,-,CK95	1	
M 46	DE31-10170A	MOTOR-DRIVE;M2LJ24Z702,ST-16F,220/240V,2.5	1	
M 47	DE71-60382A	COVER-CEILING;MICASHEET,T0.5,70,133	1	
M 48	DE73-90027A	FERRITE-CORE;NI-ZN,T13.8,W21.0,L28.0,BNF-14	1	
M 49	DE72-60005A	GUIDE-AIR;SECC1-P,T0.5,210,225	1	
M 50	DE32-10013A	SENSOR-THERMISTOR;PT-312-K2	1	
M 51	DE71-60459A	COVER-ADIABATIC-L;SECC,T0.6,W252,L300,-,CK95	1	
M 52	DE62-90103A	ADIABATIC-LEFT;SUPERFINE INSULATION,T7,W250,L	1	
M 53	DE39-40409A	WIRE HARNESS-E;230V50HZ,M9G45,CTW	1	
M 54	DE39-40759A	WIRE HARNESS-B;230V50HZ,CK95	1	
M 55	DE47-20009A	THERMOSTAT;PW2N-520PB,160/60,250V/7.5A,M	1	
M 56	DE92-40215A	ASSY DOOR;CK95,WHT	1	● ▲
M 57	DE93-30577A	ASSY CONTROL-BOX;230V50Hz,CK95,WHT	1	● ▲
M 58	DE74-20105B	TRAY-CRUSTY;T5,P1300,H30,830G,TEFLON-COAT	1	CK96T/CK98F
M 59	DE74-20015B	TRAY-COOKING;GLASS,T6.0,PI318,1050G,MW5630T	1	
M 60	DE92-90189D	ASSY-GUIDE ROLLER;D19,STD	1	
M 61	DE67-60026C	COUPLER;PTFE,12G.WHT,MB245	1	
M 62	DE74-40001A	SPIT-BARBECUE;MSWR,CE945G,SNC2	1	CK97B/CK98F
M 63	DE67-60074A	COUPLER-BARBECUE;PTFE,29G,WHT,CE104CF	1	CK97B/CK98F
M 64	DE72-80062A	SHAFT-BARBECUE;STS304,D3,L149,W60.25,CE97	3	CK97B/CK98F
M 65	DE92-90019P	ASSY-WIRE RACK;CE1279KSE,HIGH	1	
M 66	DE92-90019R	ASSY-WIRE RACK;CE1279KSE,LOW	1	
M 67	3601-000448	FUSE-FERRULE;250V,10A,SLOW-BLOW,CERAMIC	1	NOISE-FILTER
M 68	3601-001126	FUSE-FERRULE;250V,1.6A,QUICK-ACTING,CERAMIC	1	NOISE-FILTER

7-3 Door Parts List



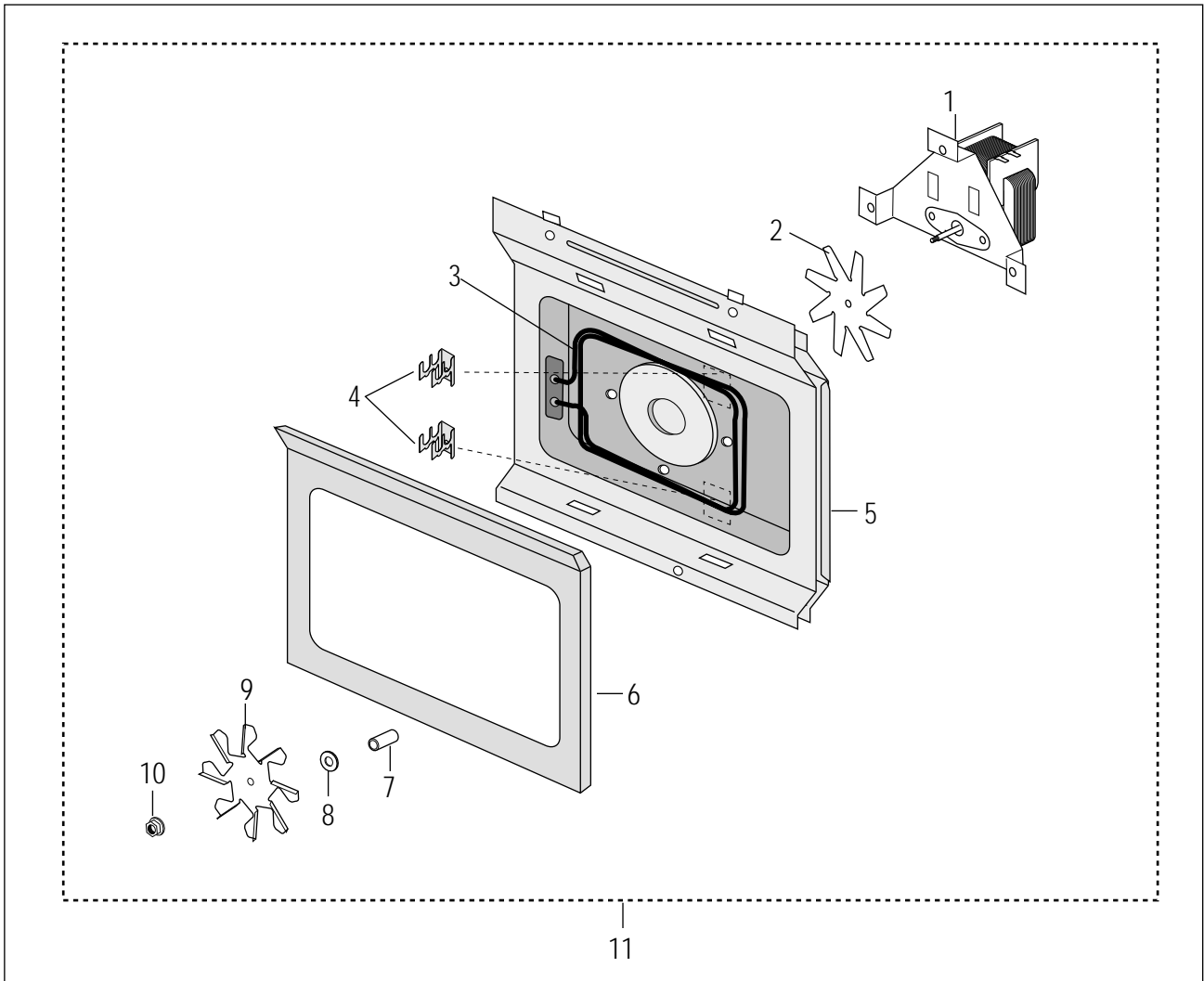
Ref. No.	Parts No.	Description/Specification	Q'ty	Remarks
D 1	DE64-40319A	DOOR-A;PC,-,WHT,-,CK95	1	
D 2	DE02-00125A	TAPE-DOUBLE FACE;ACRYL,T0.45,W9,WHT,WF103,#4420	0.05	
D 3	DE67-20184A	SCREEN-DOOR(B);TEMP GLASS,T3.2,W376.7,L241.8	1	
D 4	DE64-40320A	DOOR-SUB;PC,-,BLK,-,CK95	1	
D 5	DE92-50127J	ASSY DOOR-E(SEALANT);CK95,SEALANT,BLK	1	
D 6	DE61-80002A	HINGE-UPPER;SCP1,T2.3,26,77,ZPC3,WHT,CE945	1	
D 7	DE61-80003A	HINGE-LOWER;SCP1,T2.3,26,77,ZPC3,WHT,CE945	1	
D 8	DE64-40264B	DOOR-KEY;NYLON#66(2021SW),40G,-,M959/XS	1	
D 9	DE61-70148A	SPRING-KEY;HSWR3,PI6.0,D0.8,L34.4,BLUIING	1	
D 10	DE64-40012C	DOOR-C;PBT,-,BLK,-,CK95	1	
D 11	DE64-90160A	DECORATION-DOOR;PC,-,-,-,-,WHT,-,CK95	1	

7-4 Control Parts List



Ref. No.	Parts No.	Description/Specification	Q'ty	Remarks
C 1	DE67-40173A	WINDOW-DISPLAY;ACRYL,-,-,-,SMOG,-,-,CK95	1	
C 2	DE66-20276A	BUTTON-MORE;PC,-,-,WHT,CK95	1	
C 3	DE66-20277A	BUTTON-DEFROST;PC,-,-,WHT,CK95	1	
C 4	DE66-20278A	BUTTON-SELECT(A);PC,-,-,WHT,CK95	1	
C 5	DE66-20280A	BUTTON-SELECT(B);PC,-,-,WHT,CK95	1	
C 6	DE66-20279A	BUTTON-CANCEL;PC,-,-,WHT,CK95	1	
C 7	DE72-70206A	CONTROL-PANEL;PC,WHT,-,-,CK95	1	
C 8	DE91-10565A	ASSY PCB-MAIN;RC-CK95-00,230V50HZ,VFD,CK95	1	
C 9	DE64-10132C	KNOB;PC,-,-,WHT,PI28,CK95	1	
C 10	DE93-30583A	ASSY CONTROL-PANEL;CK95	1	

7-5 Casing Parts List



Ref. No.	Parts No.	Description/Specification	Q'ty	Remarks
1	DE31-10171A	MOTOR-CONVECTION;SMC-105EA,230V/50HZ,2800RPM	1	
2	DE31-90019A	BLADE-FAN;SECC,T0.6	1	
3	DE47-70077A	HEATER-CONVECTION;230V,1680W,30.7,7	1	
4	DE61-50484A	BRACKET-HEATER;STS430,T0.8,W27.2,L26,CE115K	2	
5	DE92-90487A	ASSY-COVER CASING;CE115K,230V50HZ	1	
6	DE62-90098B	ADIABATIC-CASING;- ,T8,W245,L336.8,CK95	1	
7	DE72-30016B	BUSH-MOTOR;MSWR3,D5.6,L15.7,CE115K,ZP3	1	
9	DE31-90020A	BLADE-FAN;ALSTAR,T0.6,W250,L250	1	
8	DE60-40026B	WASHER-PLAIN;ID5.5,OD12,T1.0,SBC1,ZNC3	1	
9	DE31-90020A	BLADE-FAN;ALSTAR,T0.6,W250,L250	1	
10	DE60-30016A	NUT-FLANGE;M4,MSWR10	3	
11	DE92-90478C	ASSY-CASING;CK95		

7-5 Standard Parts List

Parts No.	Description / Specification	Q'ty	Remarks
DE60-10012A	SCREW-TAP TITE;TH,+,3,M4,L10,SWR10,ZPC2,TOOTH	1	N-F-EA
DE60-10012A	SCREW-TAP TITE;TH,+,3,M4,L10,SWR10,ZPC2,TOOTH	1	P-C-EA
DE60-10012A	SCREW-TAP TITE;TH,+,3,M4,L10,SWR10,ZPC2,TOOTH	1	S-M-EA
DE60-10013A	SCREW-ASSY TAP;TH,2S,4,L12,MSWR3,ZPC3,FIBER	1	MO/FAN
DE60-10018A	SCREW-ASSY MACHINE;PH,M4X0.7P,8,MSWR10,SN1,WS	2	B/EATH
DE60-10024A	SCREW-PH;PH,+,M4,L8,MSWR10,ZPC3	2	B/HEAT
DE60-10045A	SCREW-TAP PH;PH,M3,L6,FEFZY	2	MG-TCO
DE60-10069A	SCREW-TAP TH;TH,M4,L10,FRFZY	3	B/UPPE
DE60-10069A	SCREW-TAP TH;TH,M4,L10,FRFZY	1	CV/AIR
DE60-10072A	SCREW-TAP TH;TH,M4,L16,FEFZY,2-SLOT	1	CB-CMP
DE60-10080A	SCREW-WASHER;M5,L12,2S	4	MGT
DE60-10080A	SCREW-WASHER;M5,L12,2S	4	TNS-HV
DE60-10082H	SCREW-A;2S-4X12,TOOTHED	2	B-PLTE
DE60-10082H	SCREW-A;2S-4X12,TOOTHED	2	CN-BOX
DE60-10082H	SCREW-A;2S-4X12,TOOTHED	2	LATCH
DE60-10082H	SCREW-A;2S-4X12,TOOTHED	5	PN-OUT
DE60-10098A	SCREW-ASSY TAP TITE;PH,TC,M4X8,SWRCH18A,ZPC2,GLD,W	1	CV-TCO
DE60-10098A	SCREW-ASSY TAP TITE;PH,TC,M4X8,SWRCH18A,ZPC2,GLD,W	2	M/DRIV
DE60-10122A	SCREW-TAP TH;TAP,TH,2-4X8,FE,FN	2	C-CEIL
DE60-20063A	BOLT-FLANGE;M4,10,ZPC3,YEL,MSWR	2	HI-LOW
DE60-20063A	BOLT-FLANGE;M4,10,ZPC3,YEL,MSWR	2	HI-UPP
DE60-10045A	SCREW-TAP PH;PH,M3,L6,FEFZY	1	-
DE60-10059A	SCREW-TAP TH;TH,M4,L8,SUS410,CR	3	B/MORT
DE60-10061A	SCREW-TAP TH;TH,M4,L8,STS	1	-
DE60-10122A	SCREW-TAP TH;TAP,TH,2-4X8,FE,FN	2	-
DE60-10059A	SCREW-TAP TH;TH,M4,L8,SUS410,CR	4	CV-CAS
DE60-10061A	SCREW-TAP TH;TH,M4,L8,STS	4	CV-CAS
DE60-10012A	SCREW-TAP TITE;TH,+,3,M4,L10,SWR10,ZPC2,TOOTH	1	-
DE60-10098A	SCREW-ASSY TAP TITE;PH,TC,M4X8,SWRCH18A,ZPC2,GLD,W	1	-
DE60-10088A	SCREW-TAP PH;PH,M3,L8,FEFZY,PLAIN	13	