

# PARTS LIST

[ CH-X1500 ]

\* All printed circuit boards and its assemblies are not available as service parts.

## Area suffix

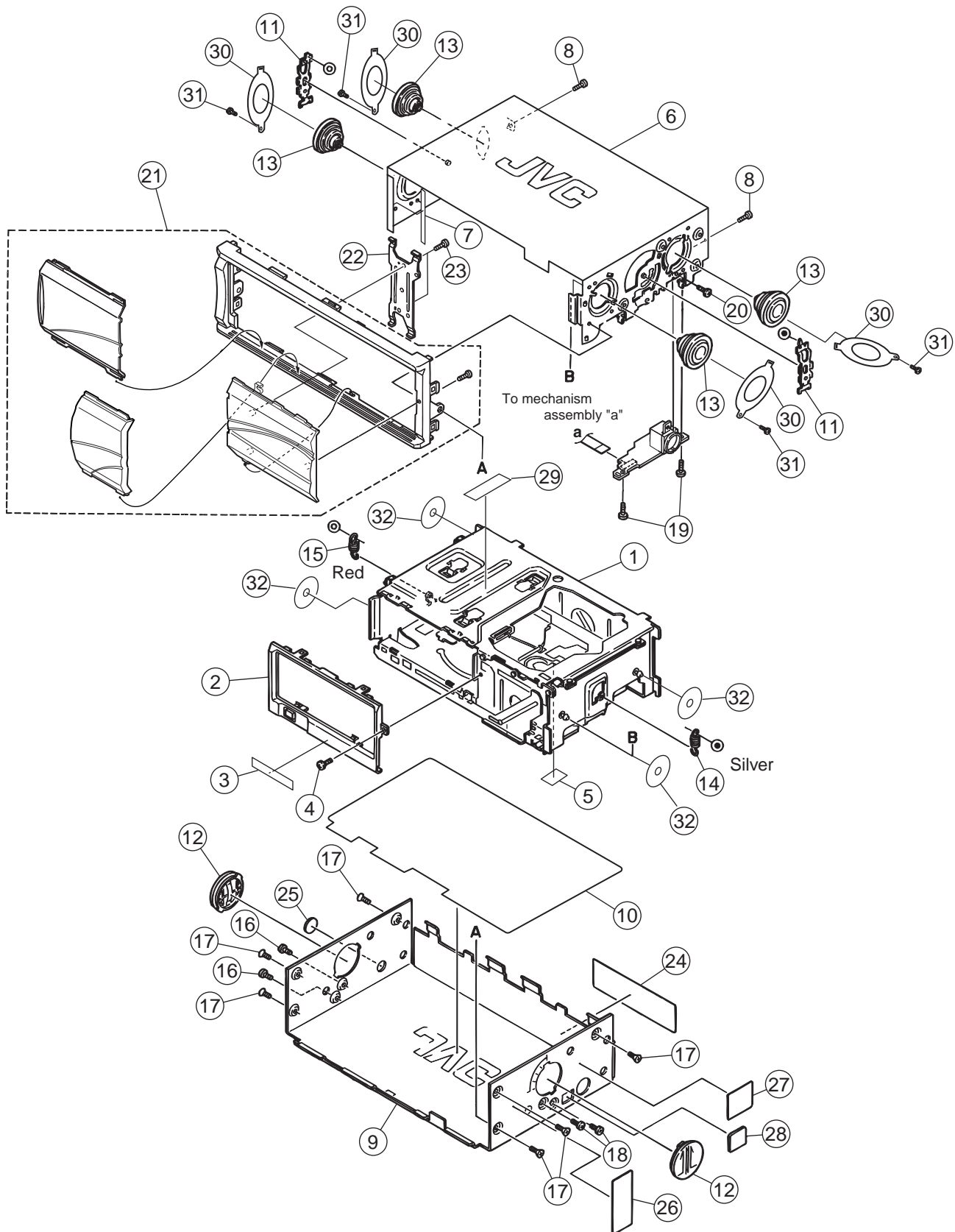
E ----- Continental Europe  
 J ----- Northern America  
 U ----- Other Areas

## - Contents -

Exploded view of general assembly and parts list (Block No.M1) .....	3- 2
CD changer mechanism assembly and parts list (Block No.MA) .....	3- 4
Electrical parts list (Block No.01) .....	3- 7
Packing materials and accessories parts list (Block No.M3,M5) .....	3-10

# Exploded view of general assembly and parts list

Block No. M 1 M M



## ■ Parts list (General assembly)

Block No. M1MM

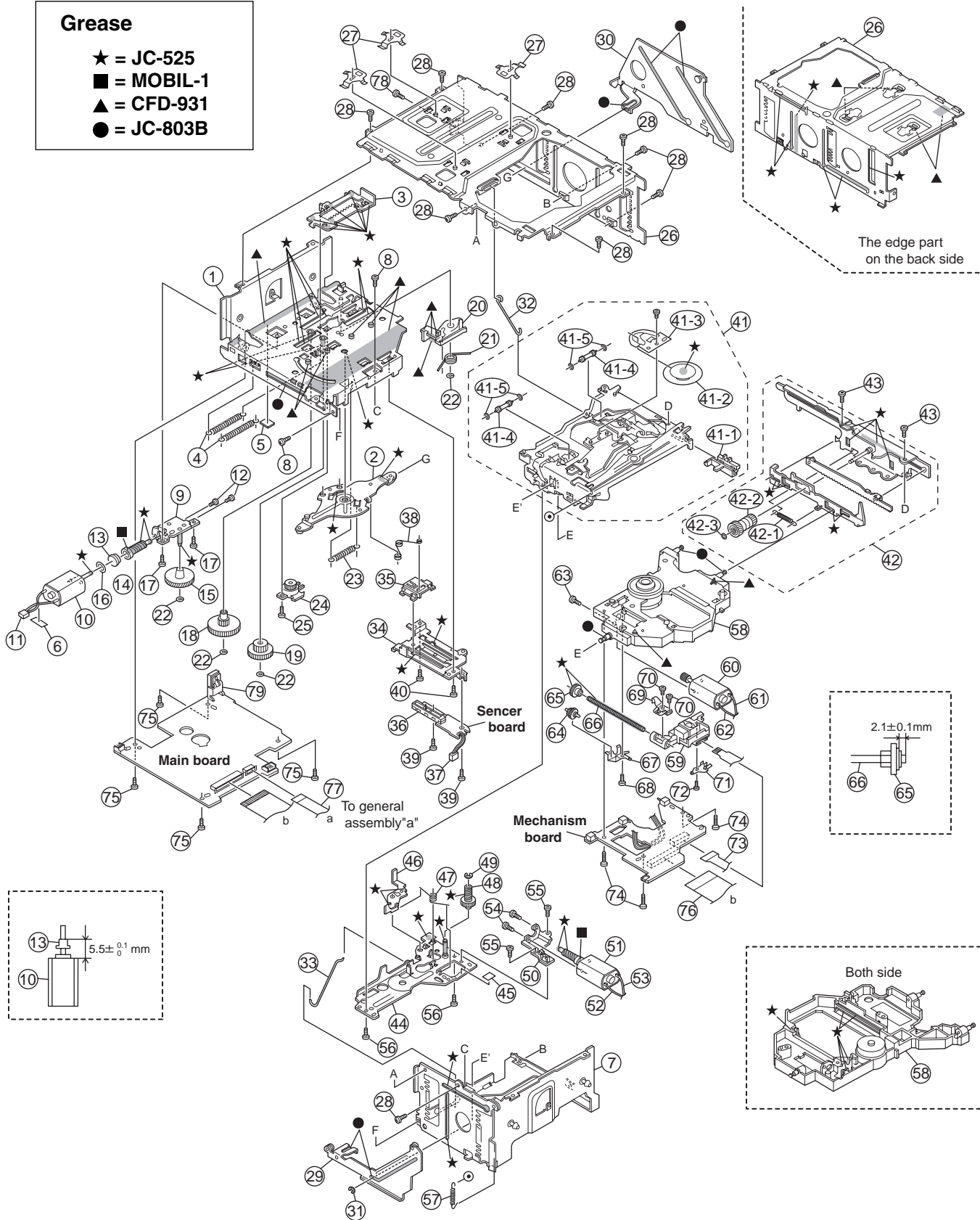
△	Item	Parts number	Parts name	Q'ty	Description	Area
	1	-----	CD CHANGER MECH	1		
	2	LV20065-004B	FITTING	1		
	3	LV40706-003A	CAUTION LABEL	1		
	4	QYSDST2004Z	SCREW	1		
	5	LV41266-001A	SPACER	1		
	6	LV10407-006A	TOP COVER	1		
	7	VYSH101-031	SPACER	1		
	8	QYSSST2005M	SCREW	2		
	9	LV10408-006A	BOTTOM COVER	1		
	10	LV30632-001A	INSULATOR	1		
	11	LV42152-001A	BRACKET	2		
	12	LV30360-004A	DIRECTION KNOB	2	BOTTOM REAR SID	
	13	LV30451-002A	DAMPER	4		
	14	LV42757-001A	DAMPER SP(R)	1		U
		LV40345-003A	DAMPER SP(R)	1		J,E
	15	LV40346-003A	DAMPER SP(L)	1		J,E
		LV42756-001A	DAMPER SP(L)	1		U
	16	QYSDST2604M	SCREW	2		
	17	QYSSST2605M	SCREW	6		
	18	QYSDST2604M	SCREW	2		
	19	QYSDST2005Z	SCREW	2	PWB+TOP	
	20	QYSDST2606Z	SCREW	1	8P+TOP	
	21	LV21396-001A	F.PANEL ASS'Y	1		U
		LV21396-002A	F.PANEL ASS'Y	1		E
		LV21396-004A	F.PANEL ASS'Y	1	FOR CH-X1500	J
	22	LV30786-003A	HOLD BRACKET	1		
	23	QYSDSF2005Z	SCREW	2	DOOR-3+HOLD BKT	
	24	LV33919-001A	NAME PLATE	1		J
		LV33920-001A	NAME PLATE	1		E
		LV33921-001A	NAME PLATE	1		U
	25	VYSS2R2-028	SPACER	1		
	26	LV40762-001A	CAUTION LABEL	1		
	27	LV40487-003A	CAUTION LABEL	1		
	28	LV40528-005A	LABEL	1		
	29	LV41843-001A	LASER CAUTION	1		U,E
	30	LV40529-002A-SK	DAMPER BRACKET	4		U
	31	QYSDST2005Z	SCREW	4		U
	32	LV42918-001A	DAMPER SHEET	4		U

# CD changer mechanism assembly and parts list

Block No. M A M M

**Grease**

- ★ = JC-525
- = MOBIL-1
- ▲ = CFD-931
- = JC-803B



## ■ Parts list (CD changer mechanism)

Block No. MAMM

△	Item	Parts number	Parts name	Q'ty	Description	Area
	1	LV30096-004A	CHASSIS(L)ASSY	1		
	2	LV40123-006A	LIFT ARM ASSY	1		
	3	LV30098-003A	EJECT SLIDER	1		
	4	LV40126-005A	EJECT SPRING	2		
	5	VYSH102-102	SPACER	1		
	6	VYSA1R4-056	SPACER	1		
	7	LV30097-001A	CHASSIS(R) ASSY	1		
	8	QYSDST2004Z	SCREW	2		
	9	LV42097-001A	MOTOR BKT ASS'Y	1		
	10	PPN-13KA10C	MOTOR	1		
	11	WJM0017-001A	E-SI C WIRE C-F	1		
	12	QYSPSPT2025M	MINI SCREW	2		
	13	LV32442-001A	WORM DRIVE	1		
	14	LV32440-001A	WORM GEAR	1		
	15	LV32441-001A	WORM WHEEL(P)	1		
	16	QYWFM164025	WASHER	1		
	17	QYSDST2004Z	SCREW	2		
	18	LV40132-003A	THIRD GEAR	1		
	19	LV40133-005A	LIFTER GEAR	1		
	20	LV30100-002A	APLOCK ARM	1		
	21	LV40134-003A	M.LOCK SPRING	1		
	22	QYWDL163525-6	SLIT WASHER	4		
	23	LV40142-003A	LIFTER SPRING	1		
	24	LV40478-002A	EJECT DAMPER	1		
	25	QYSDSR2006Z	SCREW	1		
	26	LV10027-002A	TOP COVER	1		
	27	LV30101-004A	MAGAZINE SPRING	3		
	28	QYSDST2004Z	SCREW	9		
	29	LV30448-001A	FRONT SLIDER AS	1		
	30	LV30449-001A	REAR SLIDER ASS	1		
	31	LV42132-001A	E RING	1		
	32	LV40135-004A	ROD(U)	1		
	33	LV40136-003A	ROD(L)	1		
	34	LV30104-002A	SENSOR BRACKET	1		
	35	LV30105-001A	SENSOR HOLDER	1		
	36	QVY0002-B14	S V RESISTOR	1		
	37	WJM0017-002A	E-SI C WIRE C-F	1		
	38	LV40137-002A	SENSOR SPRING	1		
	39	QYSDST2004Z	SCREW	2		
	40	QYSDST2004Z	SCREW	2		
	41	LV20067-002A-N	LIFTER UNIT	1		
	42	LV30148-004A-N	SIDE BKT UNIT	1		
	43	QYSDST2004Z	SCREW	2		
	44	LV40149-003A	L.BKT(L) ASSY	1		
	45	VYSA1R4-088	SPACER	1		
	46	LV30119-003A	SWITCH LEVER	1		
	47	LV40151-002A	SWITCH SPRING	1		
	48	LV40152-001A	WORM WHEEL(T)	1		

## ■ Parts list (CD changer mechanism)

Block No. MAMM

△	Item	Parts number	Parts name	Q'ty	Description	Area
	49	REE1500X	E RING	1		
	50	LV30120-001A	T.MOTOR HOLDER	1		
	51	PPN-13KA10C	MOTOR	1		
	52	QUB540-10A2A2	WIRE(T.MOTOR)	1		
	53	QUB541-11A2A2	WIRE(T.MOTOR)	1		
	54	QYSPSPL2004Z	SCREW	2		
	55	QYSDST2004Z	SCREW	2		
	56	QYSDST2004Z	SCREW	2		
	57	LV40474-003A	ELEVATOR SPRING	1		
	58	LV32806-001A-SL	TRA MECHA UNIT	1		
	59	OPTIMA-725B2M	CD PICK UP	1		
	60	FF-050SK-11170	DC MOTOR	1		
	61	QUB456-04A2A2	WIRE(F.MOTOR)	1		
	62	QUB459-05A2A2	WIRE(F.MOTOR)	1		
	63	QYSPSPL2004Z	SCREW	1		
	64	LV40155-001A	MIDDLE GEAR	1		
	65	LV40156-001A	S.S. GEAR	1		
	66	LV40157-001A	SCREW SHAFT	1		
	67	LV30122-002A	SHAFT HOLDER	1		
	68	VKZ4248-204	MINI TAP SCREW	1		
	69	LV30123-002A	RACK ARM	1		
	70	QYSPSPT1722M	MINI SCREW	2		
	71	LV32438-001A	P.S.SPRING	1		
	72	QYSPSGT1425M	TAP SCREW	1		
	73	LV30450-004A	PICK FPC	1		
	74	QYSDST2006Z	SCREW	3		
	75	QYSDST2005Z	SCREW	4		
	76	QUQ710-2614BJ	FFC WIRE	1		
	77	QUQ110-1013BJ	FFC WIRE	1		
	78	QYSDSP2606Z	SCREW	1		
	41-1	LV30110-001A	HOOK	1		
	41-2	VKR3203-001	CLAMPER	1		
	41-3	VKL7938-001	CLAMPER GUIDE	1		
	41-4	VKS5587-002	DETECT ROLLER	2		
	41-5	VKZ4563-005	O RING	4		
	42-1	LV40190-002A	RETURN SP.(R)	1		
	42-2	LV40148-003A	TRAY GEAR	1		
	42-3	QYWDL163525-6	SLIT WASHER	1		

## ■ Electrical parts list (Main board)

Block No. 01

△	Item	Parts number	Parts name	Remarks	Area	△	Item	Parts number	Parts name	Remarks	Area
	C 121	NCB31CK-104X	C CAPACITOR				C 637	NCB31CK-473X	C CAPACITOR		
	C 122	QERF0JM-476Z	E CAPACITOR	47MF 20% 6.3V			C 638	NDC31HJ-101X	C CAPACITOR		
	C 123	NDC31HJ-101X	C CAPACITOR				C 639	QERF0JM-476Z	E CAPACITOR	47MF 20% 6.3V	
	C 124	NCS31HJ-471X	C CAPACITOR				C 640	NDC31HJ-100X	C CAPACITOR		
	C 151	QERF1CM-106Z	E CAPACITOR	10MF 20% 16V			C 641	NDC31HJ-100X	C CAPACITOR		
	C 152	QERF1CM-106Z	E CAPACITOR	10MF 20% 16V			C 642	NCB31HK-103X	C CAPACITOR		
	C 153	NCB31HK-102X	C CAPACITOR				C 643	QERF0JM-476Z	E CAPACITOR	47MF 20% 6.3V	
	C 154	NCS31HJ-471X	C CAPACITOR				C 644	NDC31HJ-101X	C CAPACITOR		
	C 155	NCS31HJ-471X	C CAPACITOR				C 645	NCB31CK-104X	C CAPACITOR		
	C 156	QERF0JM-476Z	E CAPACITOR	47MF 20% 6.3V			C 647	NCB31HK-103X	C CAPACITOR		
	C 157	NCB31CK-104X	C CAPACITOR				C 648	NCB31CK-104X	C CAPACITOR		
	C 161	QERF1CM-106Z	E CAPACITOR	10MF 20% 16V			C 649	QERF0JM-476Z	E CAPACITOR	47MF 20% 6.3V	
	C 162	NDC31HJ-101X	C.CAPACITOR				C 650	NCB31HK-103X	C CAPACITOR		
	C 163	NDC31HJ-101X	C.CAPACITOR				C 651	QERF0JM-476Z	E CAPACITOR	47MF 20% 6.3V	
	C 171	NCB31HK-103X	C CAPACITOR				C 652	NCB31HK-103X	C CAPACITOR		
	C 251	QERF1CM-106Z	E CAPACITOR	10MF 20% 16V			C 653	QERF0JM-476Z	E CAPACITOR	47MF 20% 6.3V	
	C 252	QERF1CM-106Z	E CAPACITOR	10MF 20% 16V			C 654	NCB31CK-104X	C CAPACITOR		
	C 253	NCB31HK-102X	C CAPACITOR				C 655	NCB31HK-103X	C CAPACITOR		
	C 254	NCS31HJ-471X	C CAPACITOR				C 656	NCB31CK-104X	C CAPACITOR		
	C 255	NCS31HJ-471X	C CAPACITOR				C 657	NCB31CK-104X	C CAPACITOR		
	C 256	QERF0JM-476Z	E CAPACITOR	47MF 20% 6.3V			C 658	NCB31CK-104X	C CAPACITOR		
	C 261	QERF1CM-106Z	E CAPACITOR	10MF 20% 16V			C 659	NCB31CK-104X	C CAPACITOR		
	C 262	NDC31HJ-101X	C.CAPACITOR				C 660	NDC31HJ-101X	C CAPACITOR		
	C 501	QERF1AM-227Z	E CAPACITOR	220MF 20% 10V			C 661	NCB31HK-103X	C CAPACITOR		
	C 502	NCB31HK-103X	C CAPACITOR				C 662	NCB31CK-104X	C CAPACITOR		
	C 503	NDC31HJ-8R0X	C CAPACITOR				C 663	NCB31CK-104X	C CAPACITOR		
	C 504	NDC31HJ-270X	C-CAPACITOR				C 664	NCB31EK-273X	C CAPACITOR		
	C 505	NCB31HK-103X	C CAPACITOR				C 665	NCB31AK-334X	C CAPACITOR		
	C 506	QERF0JM-476Z	E CAPACITOR	47MF 20% 6.3V			C 666	NDC31HJ-101X	C CAPACITOR		
	C 507	QERF0JM-107Z	E CAPACITOR	100MF 20% 6.3V			C 667	NCB31HK-103X	C CAPACITOR		
	C 508	NCB31CK-104X	C CAPACITOR				C 668	QERF0JM-476Z	E CAPACITOR	47MF 20% 6.3V	
	C 509	NCB31CK-104X	C CAPACITOR				C 669	NCB31HK-103X	C CAPACITOR		
	C 510	NCB31CK-104X	C CAPACITOR				C 671	QERF0JM-476Z	E CAPACITOR	47MF 20% 6.3V	
	C 511	NCB31CK-104X	C CAPACITOR				C 672	NCB31CK-104X	C CAPACITOR		
	C 512	NCB31HK-103X	C CAPACITOR				C 673	NDC31HJ-101X	C CAPACITOR		
	C 541	NCB31HK-103X	C CAPACITOR				C 674	QERF0JM-476Z	E CAPACITOR	47MF 20% 6.3V	
	C 601	QERF0JM-476Z	E CAPACITOR	47MF 20% 6.3V			C 675	QERF0JM-476Z	E CAPACITOR	47MF 20% 6.3V	
	C 602	NCB31HK-103X	C CAPACITOR				C 676	NCB31HK-103X	C CAPACITOR		
	C 603	QERF0JM-107Z	E CAPACITOR	100MF 20% 6.3V			C 681	NBE21AM-106X	E CAPACITOR		
	C 604	NCB31HK-103X	C CAPACITOR				C 682	NBE21AM-106X	E CAPACITOR		
	C 605	NCB31HK-682X	C CAPACITOR				C 683	NCB31CK-104X	C CAPACITOR		
	C 606	QERF0JM-476Z	E CAPACITOR	47MF 20% 6.3V			C 684	QERF1AM-107Z	E CAPACITOR	100MF 20% 10V	
	C 607	NBE20JM-106X	TS E CAP SVB20J				C 691	NCB31CK-104X	C CAPACITOR		
	C 608	NCB31CK-104X	C CAPACITOR				C 901	QE20338-228	E CAPACITOR	2200MF	
	C 609	NCB31CK-104X	C CAPACITOR				C 902	NCB31HK-103X	C CAPACITOR		
	C 610	NDC31HJ-5R0X	C CAPACITOR				C 906	NDC31HJ-101X	C.CAPACITOR		
	C 611	NDC31HJ-680X	C CAPACITOR				C 907	NDC31HJ-101X	C.CAPACITOR		
	C 612	NCB31HK-103X	C CAPACITOR				C 908	NDC31HJ-101X	C.CAPACITOR		
	C 613	NCB31HK-103X	C CAPACITOR				C 912	QERF1CM-107Z	E CAPACITOR	100MF 20% 16V	
	C 614	NCB31HK-103X	C CAPACITOR				C 913	QERF1AM-107Z	E CAPACITOR	100MF 20% 10V	
	C 621	NCB31HK-103X	C CAPACITOR				C 914	NCB31HK-103X	C CAPACITOR		
	C 622	QERF0JM-476Z	E CAPACITOR	47MF 20% 6.3V			C 915	NCB31HK-103X	C CAPACITOR		
	C 623	NDC31HJ-470X	C CAPACITOR				C 941	QERF1CM-106Z	E CAPACITOR	10MF 20% 16V	
	C 624	NCB31HK-153X	C CAPACITOR				C 942	NCB31HK-103X	C CAPACITOR		
	C 625	NCB31HK-103X	C CAPACITOR				C 943	QERF1CM-476Z	E CAPACITOR	47MF 20% 16V	
	C 626	NCB31HK-272X	C CAPACITOR				C 944	NCB31HK-103X	C CAPACITOR		
	C 627	NCB31HK-103X	C CAPACITOR				C 945	NCB31HK-103X	C CAPACITOR		
	C 628	NCB31CK-104X	C CAPACITOR				C 951	NCB31HK-103X	C CAPACITOR		
	C 629	NCB31EK-333X	C CAPACITOR				C 982	NCB31HK-103X	C CAPACITOR		
	C 630	NCB31EK-333X	C CAPACITOR				C 983	QERF1CM-476Z	E CAPACITOR	47MF 20% 16V	
	C 631	NCS31HJ-471X	C CAPACITOR				C 984	NCB31CK-104X	C CAPACITOR		
	C 632	NCS31HJ-471X	C CAPACITOR				CN501	QGA2501F1-03	CONNECTOR		
	C 633	NCB31CK-473X	C CAPACITOR				CN601	QGF1009F2-26	CONNECTOR		
	C 634	NCB31CK-473X	C CAPACITOR				CN602	QGA2501F1-02	CONNECTOR		
	C 635	NCB31CK-473X	C CAPACITOR				CN603	QGF1013F1-15X	FPC CONNE		
	C 636	NCB31CK-473X	C CAPACITOR				CN604	QGF1006F1-26W	FPC CONNE		

## ■ Electrical parts list (Main board)

Block No. 01

△	Item	Parts number	Parts name	Remarks	Area	△	Item	Parts number	Parts name	Remarks	Area
	CN902	QNZ0095-001	CONNECTOR				R 161	NRSA63J-223X	MG RESISTOR		
	CN903	QGF1013F1-10X	FPC CONNECTOR				R 162	NRSA63J-471X	MG RESISTOR		
	CN904	QGF1009F2-10	CONNECTOR				R 163	NRSA63J-682X	MG RESISTOR		
	D 161	MA152WA-X	DIODE				R 171	NRSA63J-471X	MG RESISTOR		
	D 681	DSK10C-T1	DIODE				R 221	NRSA63J-391X	MG RESISTOR		
	D 911	DSK10C-T1	DIODE				R 222	NRSA63J-391X	MG RESISTOR		
	D 912	UDZS6.2B-X	SI DIODE				R 251	NRSA63J-472X	MG RESISTOR		
	D 913	MA152WA-X	DIODE				R 252	NRSA63J-472X	MG RESISTOR		
	D 914	1SS355-X	DIODE				R 253	NRSA63J-222X	MG RESISTOR		
	D 921	MA152WK-X	SI DIODE				R 254	NRSA63J-222X	MG RESISTOR		
	D 941	UDZS9.1B-X	Z DIODE				R 255	NRSA63J-392X	MG RESISTOR		
	D 951	UDZS5.1B-X	Z DIODE				R 256	NRSA63J-392X	MG RESISTOR		
	D 981	UDZS9.1B-X	Z DIODE				R 257	NRSA63J-103X	MG RESISTOR		
	F 901	ICP-N70	IC PROTECTOR				R 258	NRSA63J-103X	MG RESISTOR		
	IC121	AK4381VT-X	IC				R 261	NRSA63J-223X	MG RESISTOR		
	IC151	NJM4565V-X	IC				R 262	NRSA63J-471X	MG RESISTOR		
	IC501	UPD784217AGC212	IC				R 263	NRSA63J-682X	MG RESISTOR		
	IC502	BD4833FVE-W	IC				R 502	NRSA63J-473X	MG RESISTOR		
	IC503	BR24C01AFV-W-X	IC				R 505	NRSA63J-473X	MG RESISTOR		
	IC541	HD74HCT126T-X	IC				R 507	NRSA63J-473X	MG RESISTOR		
	IC601	TA2157FN-X	IC				R 508	NRSA63J-473X	MG RESISTOR		
	IC621	TC94A14FA	IC				R 510	NRSA63J-473X	MG RESISTOR		
	IC651	TC94A20F-011	IC				R 511	NRSA63J-821X	MG RESISTOR		
	IC652	NJU7241F33-X	IC				R 512	NRSA63J-222X	MG RESISTOR		
	IC653	NJU7241F25-X	IC				R 513	NRSA63J-103X	MG RESISTOR		
	IC681	BD7961FM-X	IC				R 514	NRSA63J-104X	MG RESISTOR		
	IC691	HD74HCT126T-X	IC				R 515	NRSA63J-473X	MG RESISTOR		
	L 501	NQL114K-470X	INDUCTOR				R 516	NRSA63J-102X	MG RESISTOR		
	L 541	NQL093K-1R8X	CHIP INDUCTOR				R 517	NRSA63J-103X	MG RESISTOR		
	L 542	NQL093K-1R8X	CHIP INDUCTOR				R 518	NRSA63J-473X	MG RESISTOR		
	L 621	NQL114K-470X	INDUCTOR				R 519	NRSA63J-822X	MG RESISTOR		
	L 622	NQL114K-470X	INDUCTOR				R 520	NRSA63J-472X	MG RESISTOR		
	L 623	NQL114K-470X	INDUCTOR				R 521	NRSA63J-472X	MG RESISTOR		
	L 651	NQL114K-470X	INDUCTOR				R 522	NRSA63J-472X	MG RESISTOR		
	L 652	NQL114K-470X	INDUCTOR				R 523	NRSA63J-472X	MG RESISTOR		
	L 653	NQL114K-470X	INDUCTOR				R 524	NRSA63J-103X	MG RESISTOR		
	Q 161	2SD1048/6-7/-X	TRANSISTOR				R 525	NRSA63J-103X	MG RESISTOR		
	Q 261	2SD1048/6-7/-X	TRANSISTOR				R 526	NRSA63J-392X	MG RESISTOR		
	Q 501	2SC2412K/R/-X	TRANSISTOR				R 527	NRSA63J-392X	MG RESISTOR		
	Q 601	2SB1132/QR/-W	CHIP.TRANSISTOR				R 528	NRSA63J-392X	MG RESISTOR		
	Q 681	2SB1184/QR/-X	TRANSISTOR				R 529	NRSA63J-393X	MG RESISTOR		
	Q 682	2SB1132/QR/-W	CHIP.TRANSISTOR				R 530	NRSA63J-682X	MG RESISTOR		
	Q 901	2SA1037AK/R/-X	TRANSISTOR				R 531	NRSA63J-682X	MG RESISTOR		
	Q 902	KRC102S-X	DIGITAL.TR				R 532	NRSA63J-682X	MG RESISTOR		
	Q 911	2SD1994A/RS/-T	TRANSISTOR				R 533	NRSA63J-683X	MG RESISTOR		
	Q 921	2SC2412K/R/-X	TRANSISTOR				R 534	NRSA63J-473X	MG RESISTOR		
	Q 922	2SA1037AK/R/-X	TRANSISTOR				R 535	NRSA63J-473X	MG RESISTOR		
	Q 941	2SB941A/QP/	TRANSISTOR				R 536	NRSA63J-104X	MG RESISTOR		
	Q 942	2SD1994A/RS/-T	TRANSISTOR				R 537	NRSA63J-104X	MG RESISTOR		
	Q 943	KRA102S-X	DIGITAL.TR				R 538	NRSA63J-104X	MG RESISTOR		
	Q 944	KRC102S-X	DIGITAL.TR				R 539	NRSA63J-104X	MG RESISTOR		
	Q 971	2SA1037AK/R/-X	TRANSISTOR				R 540	NRSA63J-103X	MG RESISTOR		
	Q 972	2SC2412K/R/-X	TRANSISTOR				R 541	NRSA63J-104X	MG RESISTOR		
	Q 981	2SD1994A/RS/-T	TRANSISTOR				R 542	NRSA63J-223X	MG RESISTOR		
	R 103	NRSA63J-0R0X	MG RESISTOR				R 544	NRSA63J-223X	MG RESISTOR		
	R 121	NRSA63J-391X	MG RESISTOR				R 545	NRSA63J-334X	MG RESISTOR		
	R 122	NRSA63J-391X	MG RESISTOR				R 546	NRSA63J-334X	MG RESISTOR		
	R 123	NRSA63J-0R0X	MG RESISTOR				R 548	NRSA63J-223X	MG RESISTOR		
	R 151	NRSA63J-472X	MG RESISTOR				R 549	NRSA63J-331X	MG RESISTOR		
	R 152	NRSA63J-472X	MG RESISTOR				R 550	NRSA63J-103X	MG RESISTOR		
	R 153	NRSA63J-222X	MG RESISTOR				R 551	NRSA63J-104X	MG RESISTOR		
	R 154	NRSA63J-222X	MG RESISTOR				R 601	NRSA63J-823X	MG RESISTOR		
	R 155	NRSA63J-392X	MG RESISTOR				R 602	NRSA63J-823X	MG RESISTOR		
	R 156	NRSA63J-392X	MG RESISTOR				R 603	NRSA63J-334X	MG RESISTOR		
	R 157	NRSA63J-103X	MG RESISTOR				R 604	NRSA63J-334X	MG RESISTOR		
	R 158	NRSA63J-103X	MG RESISTOR				R 605	NRSA63J-220X	MG RESISTOR		



## ■ Electrical parts list (Main board)

Block No. 01

△	Item	Parts number	Parts name	Remarks	Area
	R 606	NRSA63J-220X	MG RESISTOR		
	R 607	NRSA63J-823X	MG RESISTOR		
	R 608	NRSA63J-821X	MG RESISTOR		
	R 609	NRSA63J-563X	MG RESISTOR		
	R 610	NRSA63J-101X	MG RESISTOR		
	R 611	NRSA63J-103X	MG RESISTOR		
	R 612	NRSA63J-202X	MG RESISTOR		
	R 613	NRSA63J-102X	MG RESISTOR		
	R 614	NRSA63J-153X	MG RESISTOR		
	R 615	NRSA63J-151X	MG RESISTOR		
	R 616	NRSA63J-103X	MG RESISTOR		
	R 621	NRSA63J-221X	MG RESISTOR		
	R 622	NRSA63J-221X	MG RESISTOR		
	R 623	NRSA63J-221X	MG RESISTOR		
	R 624	NRSA63J-562X	MG RESISTOR		
	R 625	NRSA63J-473X	MG RESISTOR		
	R 626	NRSA63J-474X	MG RESISTOR		
	R 627	NRSA63J-153X	MG RESISTOR		
	R 628	NRSA63J-155X	MG RESISTOR		
	R 629	NRSA63J-103X	MG RESISTOR		
	R 630	NRSA63J-101X	MG RESISTOR		
	R 631	NRSA63J-101X	MG RESISTOR		
	R 635	NRSA63J-101X	MG RESISTOR		
	R 636	NRSA63J-101X	MG RESISTOR		
	R 637	NRSA63J-105X	MG RESISTOR		
	R 638	NRSA63J-470X	MG RESISTOR		
	R 639	NRSA63J-330X	MG RESISTOR		
	R 640	NRSA63J-472X	MG RESISTOR		
	R 641	NRSA63J-472X	MG RESISTOR		
	R 642	NRSA63J-472X	MG RESISTOR		
	R 643	NRSA63J-472X	MG RESISTOR		
	R 644	NRSA63J-103X	MG RESISTOR		
	R 645	NRSA63J-471X	MG RESISTOR		
	R 646	NRSA63J-471X	MG RESISTOR		
	R 647	NRSA63J-471X	MG RESISTOR		
	R 651	NRSA63J-104X	MG RESISTOR		
	R 654	NRSA63J-221X	MG RESISTOR		
	R 674	NRSA63J-331X	MG RESISTOR		
	R 675	NRSA63J-331X	MG RESISTOR		
	R 677	NRSA63J-105X	MG RESISTOR		
	R 681	NRSA63J-432X	MG RESISTOR		
	R 682	NRSA63J-823X	MG RESISTOR		
	R 683	NRSA63J-0R0X	MG RESISTOR		
	R 684	NRSA63J-473X	MG RESISTOR		
	R 691	NRSA63J-102X	MG RESISTOR		
	R 692	NRSA63J-102X	MG RESISTOR		
	R 693	NRSA63J-221X	MG RESISTOR		
	R 694	NRSA63J-331X	MG RESISTOR		
	R 901	NRSA63J-103X	MG RESISTOR		
	R 902	NRSA63J-392X	MG RESISTOR		
	R 903	NRSA63J-222X	MG RESISTOR		
	R 911	NRSA63J-472X	MG RESISTOR		
	R 912	NRSA02J-2R2X	MG RESISTOR		
	R 921	NRSA63J-273X	MG RESISTOR		
	R 923	NRSA63J-184X	MG RESISTOR		
	R 924	NRSA63J-682X	MG RESISTOR		
	R 925	NRSA63J-223X	MG RESISTOR		
	R 926	NRSA63J-223X	MG RESISTOR		
	R 941	NRSA63J-100X	MG RESISTOR		
	R 942	NRSA63J-471X	MG RESISTOR		
	R 943	NRSA63J-332X	MG RESISTOR		
	R 951	NRSA63J-122X	MG RESISTOR		
	R 954	NRSA63J-272X	MG RESISTOR		
	R 971	NRSA63J-223X	MG RESISTOR		
	R 972	NRSA63J-222X	MG RESISTOR		
	R 973	NRSA63J-104X	MG RESISTOR		

△	Item	Parts number	Parts name	Remarks	Area
	R 981	NRSA63J-221X	MG RESISTOR		
	R 982	NRSA63J-221X	MG RESISTOR		
	S 501	QSW0643-001Z	TACT SWITCH		
	S 502	VSH1173-001	SWITCH		
	S 602	VSH1173-001	SWITCH		
	S 603	VSH1173-001	SWITCH		
	S 604	VSH1173-001	SWITCH		
	X 501	QAX0617-001Z	CRYSTAL		
	X 621	QAX0413-001Z	CRYSTAL		



## ■ Parts list (Packing)

Block No. M3MM

⚠	Item	Parts number	Parts name	Q'ty	Description	Area
	P 1	LV33922-001A	CARTON	1	CH-X1500J	
	P 2	LV10504-001A	CUSHION	1		
	P 3	LV10355-001A	PAPER CUSHION	1	ACC BOX	
	P 4	LV31895-001A	CUSHION SHEET	2		
	P 5	LV31896-001A	CUSHION SLEEVE	1	FOR MAGAZINE	
	P 6	FSPG4002-001	POLY BAG	1		
	P 7	QPA00801205	POLY BAG	1	SCREW SA	
	P 8	QPC03005120P	POLY BAG	1	FOR UNIT	

## ■ Parts list (Accessories)

Block No. M5MM

⚠	Item	Parts number	Parts name	Q'ty	Description	Area
	A 1	LVT0975-002A	INST BOOK	1	ENG,GER,FRE	E
		LVT0975-003A	INST BOOK	1	DUT,SPA,ITA	E
		LVT0975-004A	INST BOOK	1	POL,RUS,GRE	E
		LVT0975-006A	INST BOOK	1	ENG,CHI,ARA	U
		LVT0975-007A	INST BOOK	1	THA	U
		LVT0975-008A	INST BOOK	1	KOR	U
		LVT0975-001A	INST BOOK	1	ENG,SPA,FRE	J
	A 2	BT-51018-3	WARRANTY CARD	1		J
	A 3	BT-51028-2	J=REGIST CARD	1		J
	A 4	BT-20071B	JVC CENTER LIST	1		J
	A 5	BT-52006-2	WARRANTY CARD	1		J
	A 6	LVT0770-002C	INST SHEET	1		E
		LVT0918-001B	INST SHEET	1		U
		LVT0770-003C	INST SHEET	1	MP3	J
	A 7	LVT0327-001B	TROUBLE SHOOTIN	1		J
	A 8	BT-54013-5	WARRANTY CARD	1		E
	A 9	LV33160-001A	MAGAZINE ASS'Y	1		E
		LV30682-205A-CL	MAGAZINE ASS'Y	1		J,U
	A 10	LV21416-001A	MOUNT HOLDER(L)	1		J,U
		LV20738-002A	MOUNT HOLDER(L)	1		E
	A 11	LV21415-001A	MOUNT HOLDER(R)	1		J,U
		LV20737-002A	MOUNT HOLDER(R)	1		E
	A 12	QYSDSP4008Z	SCREW	4		
	A 13	VKZ4029-003	SCREW	4	M5 X 20	
	A 14	QAM0080-001	8P BUS-BUS CORD	1		
	A 15	LV40507-001A	INST SHEET	1		
	K I T	CHX99J-SCREW1	SCREW PARTS KIT	1	A12,A13	