

**SECTION 4
EXPLODED VIEWS**

NOTE:

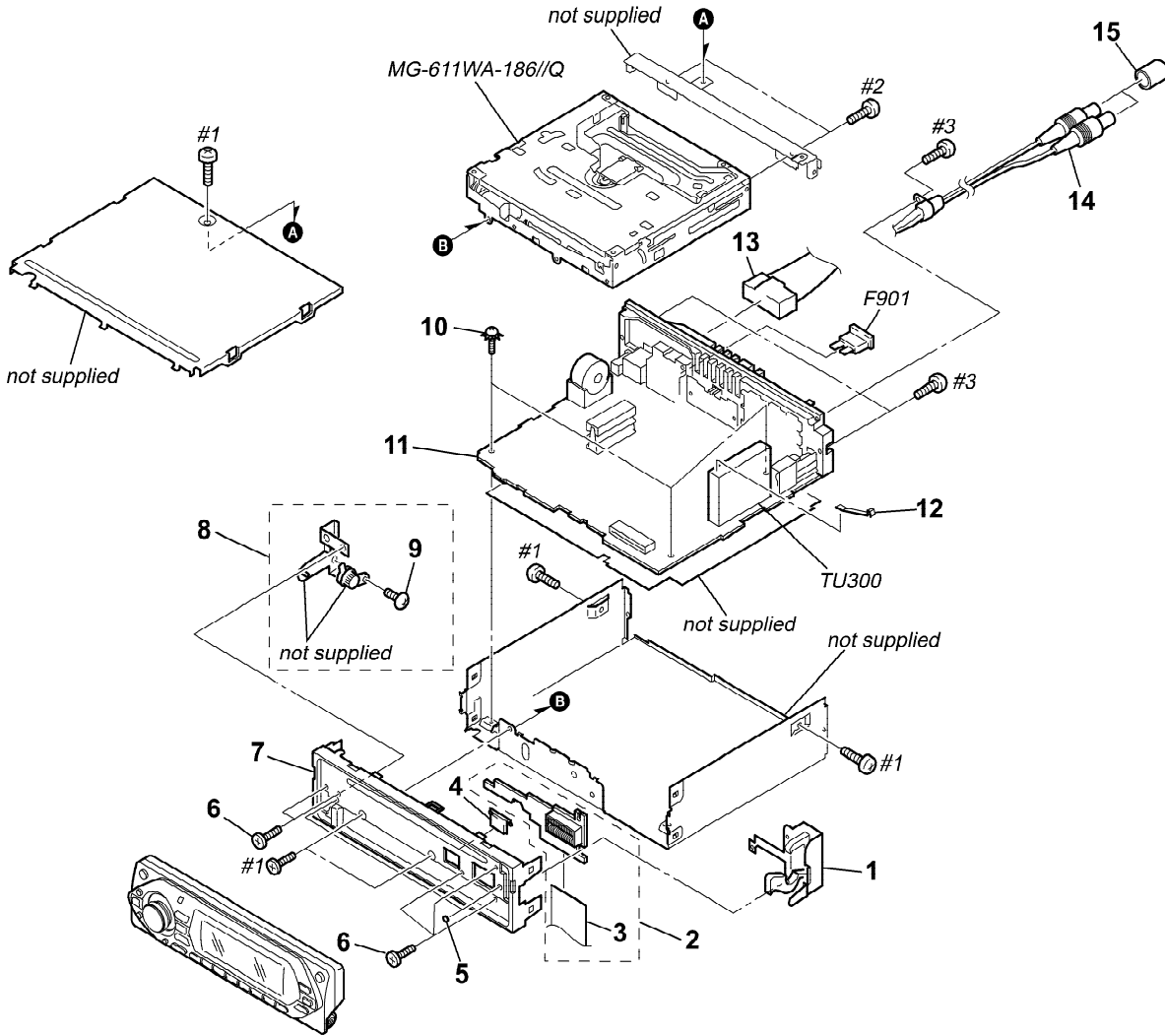
- The mechanical parts with no reference number in the exploded views are not supplied.
- Items marked “*” are not stocked since they are seldom required for routine service. Some delay should be anticipated when ordering these items.
- -XX and -X mean standardized parts, so they may have some difference from the original one.

- Color Indication of Appearance Parts
Example :
KNOB, BALANCE (WHITE) ... (RED)
Parts Color Cabinet's Color
- Accessories are given in the last of this parts list.
- Abbreviation
CND: Canadian model
EE : East European model
MX : Mexican model
CH : Chinese model

The components identified by mark Δ or dotted line with mark Δ are critical for safety. Replace only with part number specified.

Les composants identifiés par une marque Δ sont critiques pour la sécurité. Ne les remplacer que par une pièce portant le numéro spécifié.

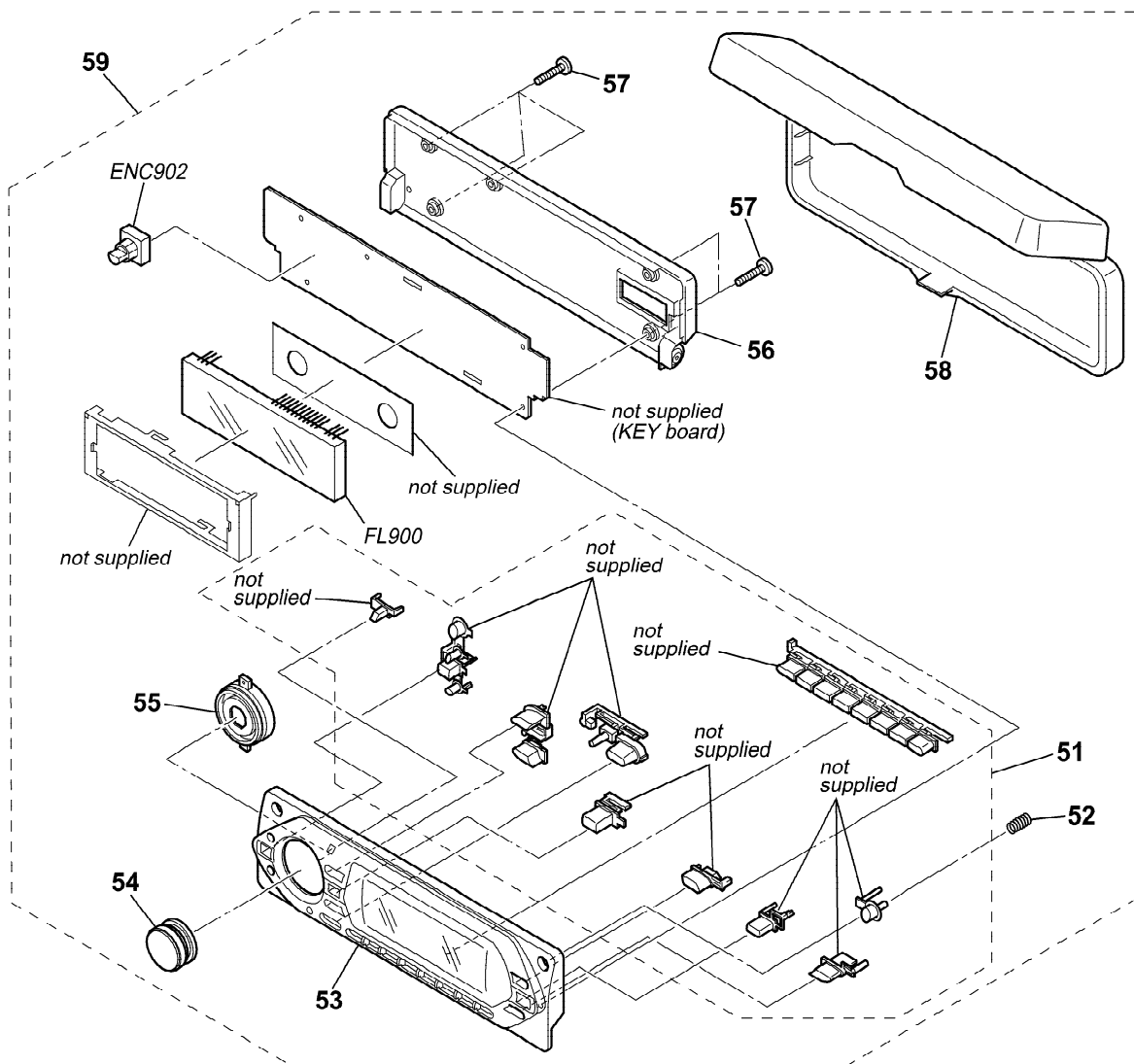
4-1. MAIN SECTION



Ref. No.	Part No.	Description	Remark
1	X-3384-259-1	LOCK ASSY	
2	A-1156-589-A	SUB BOARD, COMPLETE (GT500/GT550)	
2	A-1158-907-A	SUB BOARD, COMPLETE (GT50W/GT500EE)	
3	1-831-502-11	CABLE, FLEXIBLE FLAT (22 CORE)	
4	3-246-441-01	BUTTON (EJECT)	
5	3-260-247-01	CUSHION (SUB PANEL)	
6	3-042-244-01	SCREW (T)	
7	X-2067-744-1	PANEL ASSY, SUB (FL)	
8	X-3384-203-1	GEAR ASSY	
9	3-713-786-51	SCREW +P 2X3	
10	3-376-464-11	SCREW (+PTT 2.6X6), GROUND POINT	
11	A-1156-591-A	MAIN BOARD, COMPLETE (US,GND)	
11	A-1158-884-A	MAIN BOARD, COMPLETE (AEP,UK)	
11	A-1158-896-A	MAIN BOARD, COMPLETE (GT550)	
11	A-1158-918-A	MAIN BOARD, COMPLETE (GT500EE)	

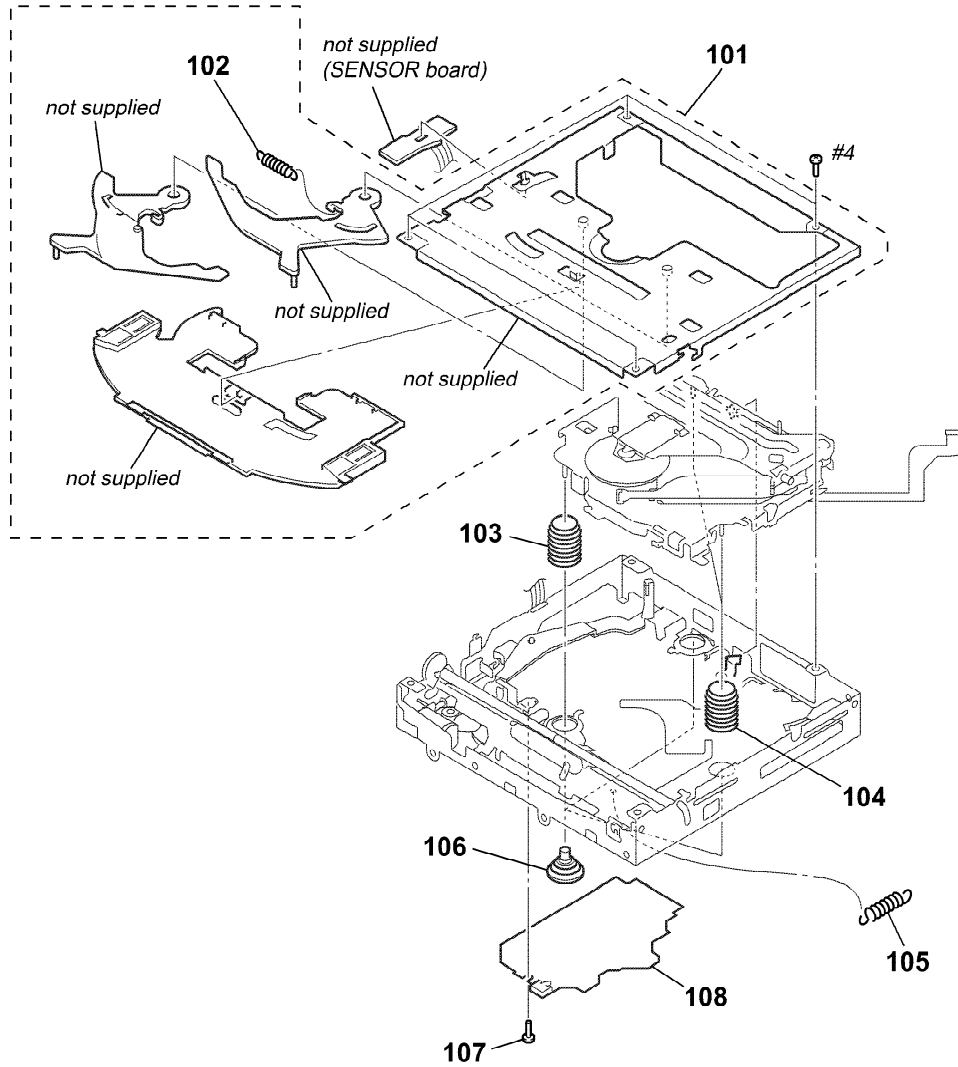
Ref. No.	Part No.	Description	Remark
12	2-021-848-01	SHEET (TU), GROUND	
13	1-776-207-72	CORD (WITH CONNECTOR) (POWER)	(EXCEPT AEP,UK,EE)
13	1-776-527-71	CORD (WITH CONNECTOR) (ISO) (POWER)	(AEP,UK,EE)
14	1-790-355-54	CORD (WITH CONNECTOR) (RCA)	(SUB OUT (MONO))
15	3-264-798-01	CAP	
F901	1-532-877-11	FUSE (BLADE TYPE) (AUTO FUSE) 10A	
TU300	A-3220-961-B	TUNER UNIT (TUX-032)	
#1	7-685-792-09	SCREW +PTT 2.6X6 (S)	
#2	7-685-790-01	SCREW +PTT 2.6X4 (S)	
#3	7-685-793-09	SCREW +PTT 2.6X8 (S)	

4-2. FRONT PANEL SECTION



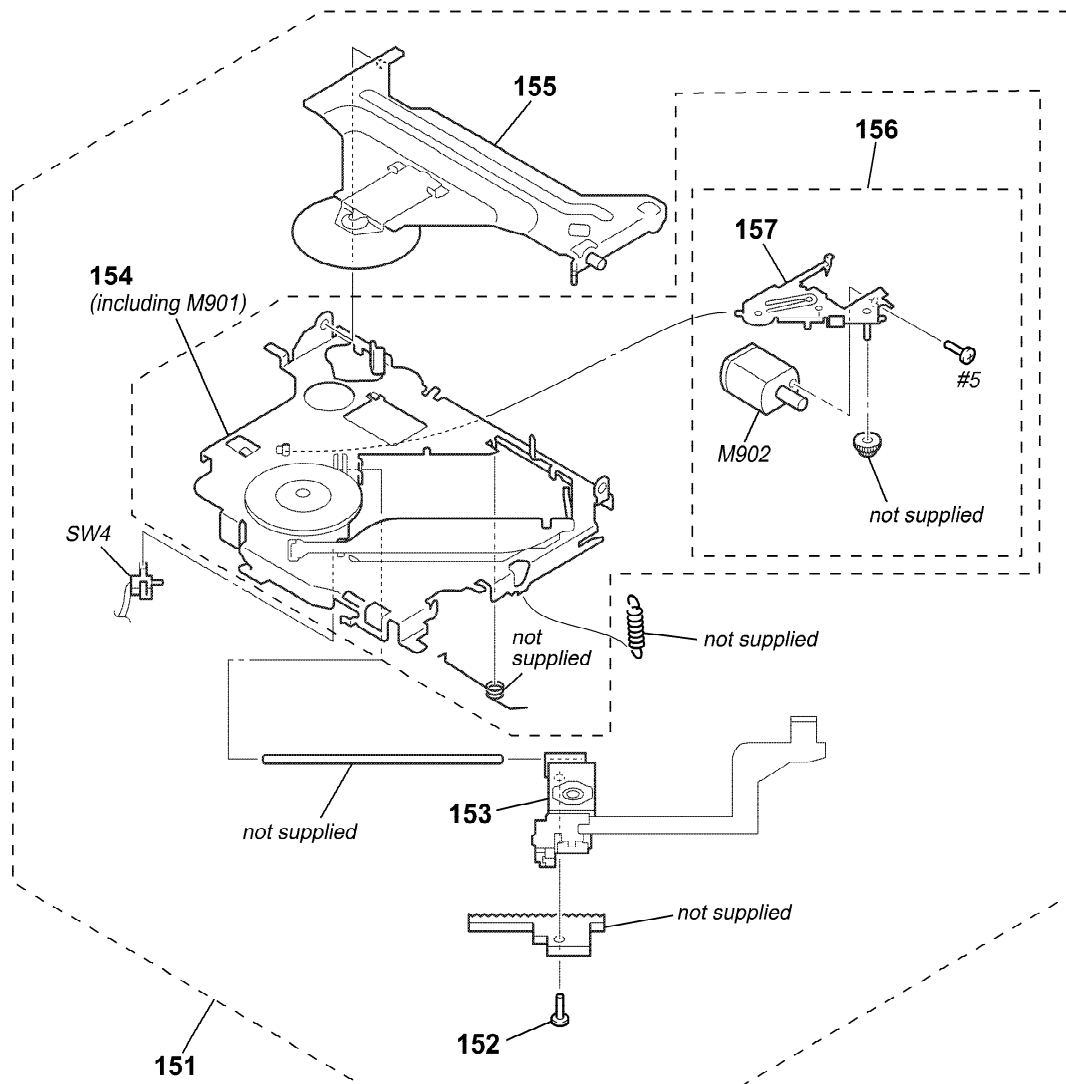
Ref. No.	Part No.	Description	Remark	Ref. No.	Part No.	Description	Remark
51	X-2103-564-1	BUTTON ASSY (S) (EXCEPT AEP,UK)		57	3-250-543-21	SCREW (+B P-TITE M2)	
51	X-2103-565-1	BUTTON ASSY (S) (AEP,UK)		58	X-2055-358-1	CASE ASSY (for FRONT PANEL) (EXCEPT US)	
52	3-264-712-01	SPRING (OPEN)		59	A-1156-594-A	PANEL COMPLETE ASSY, FRONT (GT500:US)	
53	X-2103-559-1	PANEL (SV) ASSY, FRONT (GT500:US,CND)		59	A-1158-887-A	PANEL COMPLETE ASSY, FRONT (GT500:AEP,UK)	
53	X-2103-560-1	PANEL (SV) ASSY, FRONT (GT500:AEP,UK)		59	A-1158-899-A	PANEL COMPLETE ASSY, FRONT (GT550)	
53	X-2103-561-1	PANEL (SV) ASSY, FRONT (GT550)		59	A-1158-910-A	PANEL COMPLETE ASSY, FRONT (GT50W)	
53	X-2103-562-1	PANEL (SV) ASSY, FRONT (GT50W)		59	A-1158-922-A	PANEL COMPLETE ASSY, FRONT (GT500EE)	
53	X-2103-563-1	PANEL (SV) ASSY, FRONT (GT500EE)		59	A-1173-675-A	PANEL COMPLETE ASSY, FRONT (GT500:CND)	
54	X-2103-060-1	KNOB ASSY (S)		ENC902	1-479-481-12	ENCODER, ROTARY (PUSH SELECT/VOLUME)	
55	2-630-985-01	LIGHT GUIDE (VOLUME)		FL900	1-519-842-11	VACUUM FLUORESCENT DISPLAY	
56	X-2067-746-1	PANEL ASSY, FRONT BACK					

4-3. CD MECHANISM SECTION (1)
(MG-611WA-186//Q)



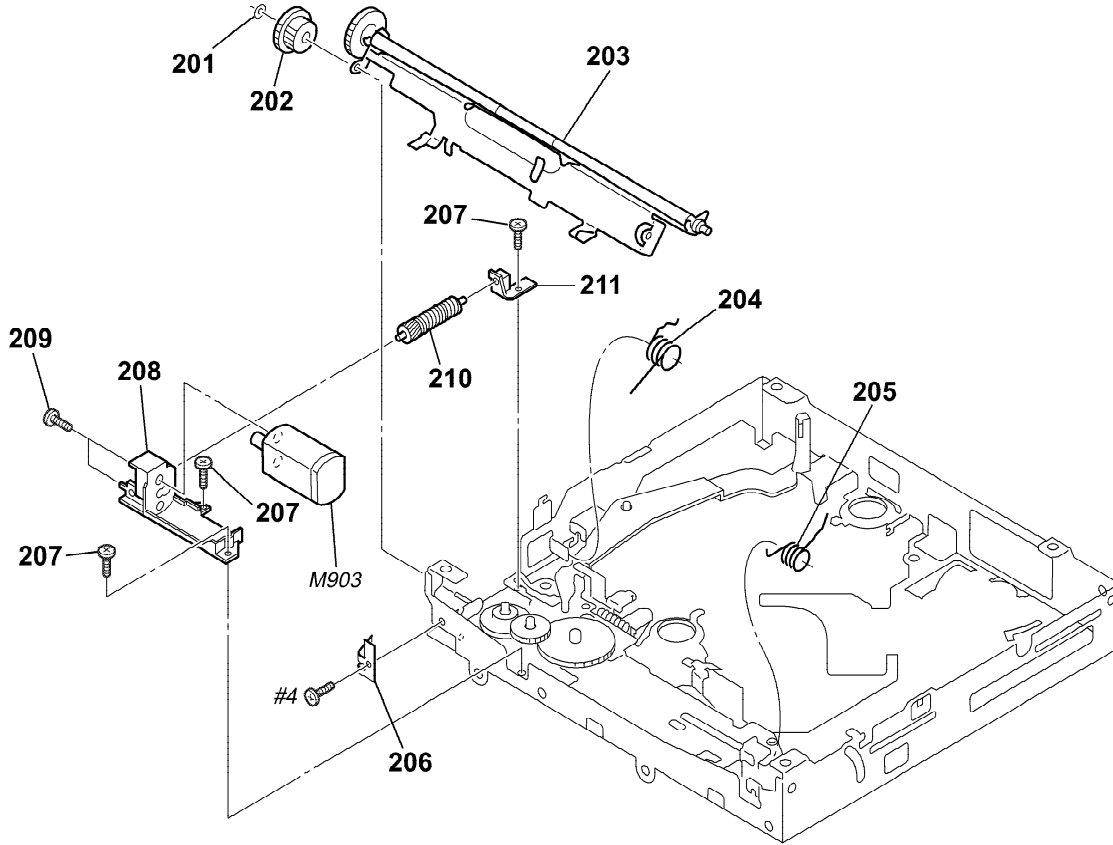
Ref. No.	Part No.	Description	Remark	Ref. No.	Part No.	Description	Remark
101	A-3372-444-C	CHASSIS (T) SUB ASSY		106	3-259-033-01	DAMPER (S)	
102	3-253-729-11	SPRING (LR), TENSION COIL		107	2-587-505-01	SCREW	
103	3-257-892-12	SPRING (DAMPER), COIL (GREEN)		108	A-1132-412-A	SERVO BOARD, COMPLETE	
104	3-257-892-01	SPRING (DAMPER), COIL (NATURAL)		#4	7-627-552-87	SCREW, PRECISION +P 1.7X2.2	
105	2-345-767-11	SPRING (KF60), TENSION					

4-4. CD MECHANISM SECTION (2)
(MG-611WA-186//Q)



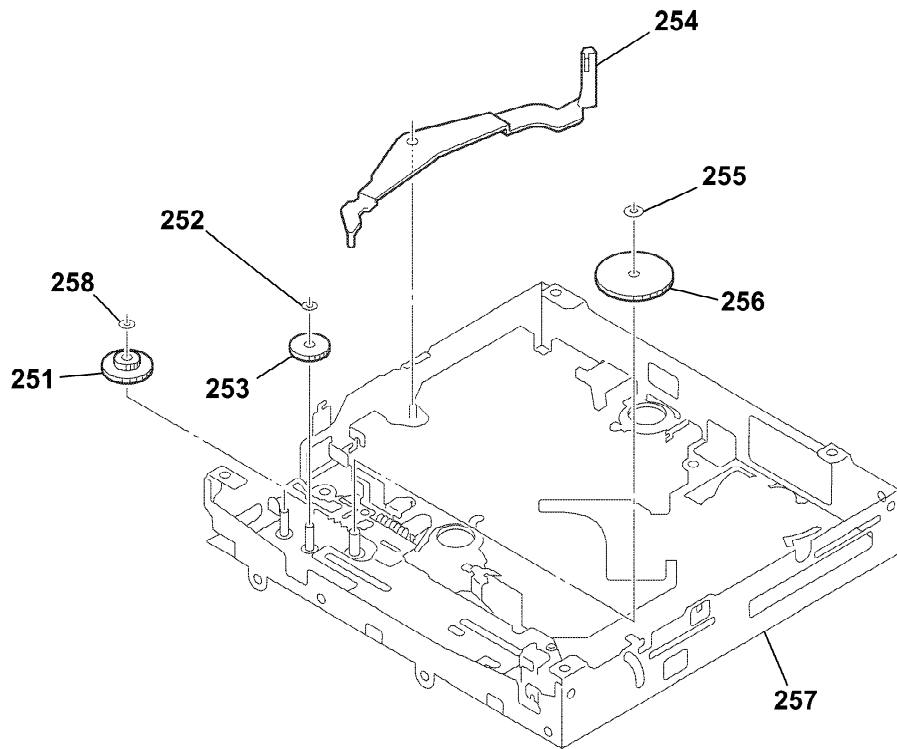
Ref. No.	Part No.	Description	Remark	Ref. No.	Part No.	Description	Remark
151	A-1075-644-A	CHASSIS (OP) COMPLETE ASSY		156	A-3372-446-A	LEVER (SL) SUB ASSY	
152	3-316-938-91	SCREW (B1.4X5), TAPPING		157	X-3384-090-3	LEVER (SL) ASSY	
△ 153	8-820-207-12	OPTICAL PICK-UP (KSS1000E/K1RP)		M902	A-3372-447-A	MOTOR ASSY, SL (SLED)	
154	A-1075-645-A	CHASSIS (OP) SUB ASSY (including M901)		SW4	1-571-099-11	SWITCH (1 KEY) (LIMIT)	
155	A-3372-449-A	ARM SUB ASSY, CHUCKING		#5	7-627-850-77	SCREW, PRECISION +P 1.4X1.8	

4-5. CD MECHANISM SECTION (3)
(MG-611WA-186//Q)



Ref. No.	Part No.	Description	Remark	Ref. No.	Part No.	Description	Remark
201	3-348-993-01	WASHER		208	2-186-696-02	BRACKET (LEM-N)	
202	2-186-699-01	GEAR (RA1)		209	3-345-648-91	SCREW (M1.4), TOOTHED LOCK	
203	A-1075-641-C	ARM ASSY, ROLLER		210	A-1083-636-A	GEAR (LE) ASSY	
204	2-635-295-01	SPRING (RAL-B)		211	2-186-697-01	BEARING (LEB-N)	
205	2-635-296-01	SPRING (RAR-B)		M903	A-1166-300-A	MOTOR ASSY (B), LE (LOADING)	
206	3-259-469-12	SPRING (LE), LEAF		#4	7-627-552-87	SCREW, PRECISION +P 1.7X2.2	
207	2-134-636-21	SCREW (M1.7X2.5)					

4-6. CD MECHANISM SECTION (4)
(MG-611WA-186//Q)



Ref. No.	Part No.	Description	Remark	Ref. No.	Part No.	Description	Remark
251	2-186-700-01	GEAR (CHK1)		255	2-630-962-01	WASHER (SLIT)	
252	3-344-223-01	WASHER		* 256	2-590-545-01	GEAR (LE2-M)	
253	3-259-470-12	GEAR (LE1)		257	A-1075-640-B	CHASSIS (M) BLOCK ASSY	
254	3-253-755-41	LEVER (D)		258	3-348-993-01	WASHER	

SECTION 5
ELECTRICAL PARTS LIST

KEY

NOTE:

- Due to standardization, replacements in the parts list may be different from the parts specified in the diagrams or the components used on the set.
- -XX and -X mean standardized parts, so they may have some difference from the original one.
- RESISTORS
All resistors are in ohms.
METAL: Metal-film resistor.
METAL OXIDE: Metal oxide-film resistor.
F: nonflammable

- Items marked "*" are not stocked since they are seldom required for routine service. Some delay should be anticipated when ordering these items.
- SEMICONDUCTORS
In each case, u : μ , for example:
uA.. : μ A.. uPA.. : μ PA..
uPB.. : μ PB.. uPC.. : μ PC.. uPD.. : μ PD..
- CAPACITORS
uF : μ F
- COILS
uH : μ H
- Abbreviation
CND: Canadian model
EE : East European model
MX : Mexican model
CH : Chinese model

The components identified by mark Δ or dotted line with mark Δ are critical for safety. Replace only with part number specified.

Les composants identifiés par une marque Δ sont critiques pour la sécurité. Ne les remplacer que par une pièce portant le numéro spécifié.

When indicating parts by reference number, please include the board.

Ref. No.	Part No.	Description	Remark
		KEY BOARD *****	
		< CAPACITOR >	
C901	1-127-715-11	CERAMIC CHIP 0.22uF 10% 16V	
C903	1-163-021-11	CERAMIC CHIP 0.01uF 10% 50V	
C904	1-163-021-11	CERAMIC CHIP 0.01uF 10% 50V	
C970	1-107-826-11	CERAMIC CHIP 0.1uF 10% 16V	
C971	1-107-826-11	CERAMIC CHIP 0.1uF 10% 16V	
C972	1-107-826-11	CERAMIC CHIP 0.1uF 10% 16V	
C973	1-125-837-11	CERAMIC CHIP 1uF 10% 6.3V	
C974	1-107-826-11	CERAMIC CHIP 0.1uF 10% 16V	
C975	1-162-913-11	CERAMIC CHIP 8PF 0.5PF 50V	
C976	1-162-913-11	CERAMIC CHIP 8PF 0.5PF 50V	
C977	1-125-837-11	CERAMIC CHIP 1uF 10% 6.3V	
C978	1-100-623-11	CERAMIC CHIP 0.1uF 10% 100V	
C980	1-127-715-11	CERAMIC CHIP 0.22uF 10% 16V	
C981	1-107-826-11	CERAMIC CHIP 0.1uF 10% 16V	
C984	1-107-826-11	CERAMIC CHIP 0.1uF 10% 16V	
C985	1-107-826-11	CERAMIC CHIP 0.1uF 10% 16V	
		< CONNECTOR >	
CNP900	1-818-141-11	PLUG, CONNECTOR 20P	
		< DIODE >	
D900	6-501-167-01	DIODE UDZW-TE17-5.1B	
D901	6-500-886-01	DIODE RSA6.1ENTR	
D903	6-500-886-01	DIODE RSA6.1ENTR	
D904	6-501-180-01	DIODE UDZW-TE17-18B	
D905	6-501-170-01	DIODE UDZW-TE17-6.8B	
D906	6-501-170-01	DIODE UDZW-TE17-6.8B	
D909	6-500-886-01	DIODE RSA6.1ENTR	
D910	6-501-193-01	DIODE 1SS355WTE-17	
		< ROTARY ENCODER >	
ENC902	1-479-481-12	ENCODER, ROTARY (PUSH SELECT/VOLUME)	
		< VACUUM FLUORESCENT DISPLAY >	
FL900	1-519-842-11	VACUUM FLUORESCENT DISPLAY	
		< IC >	
IC900	6-600-163-01	IC RS-770 (IR)	
IC901	6-806-178-01	IC uPD703263GC-103-8EA-A	

Ref. No.	Part No.	Description	Remark
IC902	6-707-877-01	IC TC74VHC32FT(EKJ)	
IC971	8-759-659-13	IC PST3428UL	
		< LED >	
LED900	6-500-450-01	LED CL-195SR-CD-T (VOLUME ILLUMINATION) (GT500/GT550)	
LED900	6-500-510-01	LED CL-195PG-CD-T (VOLUME ILLUMINATION) (GT50W/GT500EE)	
LED901	6-500-450-01	LED CL-195SR-CD-T (VOLUME ILLUMINATION) (GT500/GT550)	
LED901	6-500-510-01	LED CL-195PG-CD-T (VOLUME ILLUMINATION) (GT50W/GT500EE)	
LED902	6-500-450-01	LED CL-195SR-CD-T (VOLUME ILLUMINATION) (GT500/GT550)	
LED902	6-500-510-01	LED CL-195PG-CD-T (VOLUME ILLUMINATION) (GT50W/GT500EE)	
LED903	6-500-450-01	LED CL-195SR-CD-T (VOLUME ILLUMINATION) (GT500/GT550)	
LED903	6-500-510-01	LED CL-195PG-CD-T (VOLUME ILLUMINATION) (GT50W/GT500EE)	
LED904	6-500-450-01	LED CL-195SR-CD-T (SOURCE) (GT500/GT550)	
LED904	6-500-510-01	LED CL-195PG-CD-T (SOURCE) (GT50W/GT500EE)	
LED905	6-500-450-01	LED CL-195SR-CD-T (MODE) (GT500/GT550)	
LED905	6-500-510-01	LED CL-195PG-CD-T (MODE) (GT50W/GT500EE)	
LED906	6-500-450-01	LED CL-195SR-CD-T (SCRL) (GT500:US,CND/GT550)	
LED906	6-500-450-01	LED CL-195SR-CD-T (AF/TA) (GT500:AEP,UK)	
LED906	6-500-510-01	LED CL-195PG-CD-T (SCRL) (GT50W/GT500EE)	
LED907	6-500-450-01	LED CL-195SR-CD-T (3) (GT500/GT550)	
LED907	6-500-510-01	LED CL-195PG-CD-T (3) (GT50W/GT500EE)	
LED908	6-500-450-01	LED CL-195SR-CD-T (2) (GT500/GT550)	
LED908	6-500-510-01	LED CL-195PG-CD-T (2) (GT50W/GT500EE)	
LED909	6-500-450-01	LED CL-195SR-CD-T (1) (GT500/GT550)	
LED909	6-500-510-01	LED CL-195PG-CD-T (1) (GT50W/GT500EE)	
LED910	6-500-450-01	LED CL-195SR-CD-T (6) (GT500/GT550)	

Ref. No.	Part No.	Description	Remark	Ref. No.	Part No.	Description	Remark
LED910	6-500-510-01	LED CL-195PG-CD-T (6) (GT50W/GT500EE)				< RESISTOR >	
LED911	6-500-450-01	LED CL-195SR-CD-T (5) (GT500/GT550)		R900	1-216-815-11	METAL CHIP 330	5% 1/10W
LED911	6-500-510-01	LED CL-195PG-CD-T (5) (GT50W/GT500EE)		R901	1-216-815-11	METAL CHIP 330	5% 1/10W
LED912	6-500-450-01	LED CL-195SR-CD-T (4) (GT500/GT550)		R902	1-216-864-11	SHORT CHIP 0	
LED912	6-500-510-01	LED CL-195PG-CD-T (4) (GT50W/GT500EE)		R903	1-216-801-11	METAL CHIP 22	5% 1/10W
LED913	6-500-450-01	LED CL-195SR-CD-T (DSO) (GT500/GT550)		R904	1-216-801-11	METAL CHIP 22	5% 1/10W
LED913	6-500-510-01	LED CL-195PG-CD-T (DSO) (GT50W/GT500EE)		R905	1-216-797-11	METAL CHIP 10	5% 1/10W
LED914	6-500-450-01	LED CL-195SR-CD-T (IMAGE) (GT500/GT550)		R906	1-216-797-11	METAL CHIP 10	5% 1/10W
LED914	6-500-510-01	LED CL-195PG-CD-T (IMAGE) (GT50W/GT500EE)		R907	1-216-801-11	METAL CHIP 22	5% 1/10W
LED915	6-500-450-01	LED CL-195SR-CD-T (EQ3) (GT500/GT550)		R908	1-216-801-11	METAL CHIP 22	5% 1/10W
LED915	6-500-510-01	LED CL-195PG-CD-T (EQ3) (GT50W/GT500EE)		R909	1-216-801-11	METAL CHIP 22	5% 1/10W
		< SWITCH >		R910	1-216-801-11	METAL CHIP 22	5% 1/10W
LSW901	1-786-800-11	SWITCH, TACTILE (WITH LED) (OFF) (GT500/GT550)		R911	1-216-819-11	METAL CHIP 680	5% 1/10W
LSW901	1-786-801-11	SWITCH, TACTILE (WITH LED) (OFF) (GT50W/GT500EE)		R912	1-216-819-11	METAL CHIP 680	5% 1/10W
LSW902	1-786-800-11	SWITCH, TACTILE (WITH LED) (DSPL) (GT500/GT550)		R913	1-216-819-11	METAL CHIP 680	5% 1/10W
LSW902	1-786-801-11	SWITCH, TACTILE (WITH LED) (DSPL) (GT50W/GT500EE)		R914	1-216-821-11	METAL CHIP 1K	5% 1/10W
LSW903	1-786-805-11	SWITCH, TACTILE (WITH LED) (SENS) (GT500:US,CND/GT550)		R915	1-216-823-11	METAL CHIP 1.5K	5% 1/10W
LSW903	1-786-805-11	SWITCH, TACTILE (WITH LED) (SENS/BTM) (GT500:AEP,UK)		R916	1-216-823-11	METAL CHIP 1.5K	5% 1/10W
LSW903	1-786-806-11	SWITCH, TACTILE (WITH LED) (SENS) (GT50W/GT500EE)		R917	1-216-825-11	METAL CHIP 2.2K	5% 1/10W
LSW904	1-786-805-11	SWITCH, TACTILE (WITH LED) (SEEK + ▶▶▶▶) (GT500/GT550)		R918	1-216-827-11	METAL CHIP 3.3K	5% 1/10W
LSW904	1-786-806-11	SWITCH, TACTILE (WITH LED) (SEEK + ▶▶▶▶) (GT50W/GT500EE)		R919	1-216-829-11	METAL CHIP 4.7K	5% 1/10W
LSW905	1-786-805-11	SWITCH, TACTILE (WITH LED) (BTM/CAT) (GT500:US,CND)		R920	1-218-867-11	METAL CHIP 6.8K	0.5% 1/10W
LSW905	1-786-805-11	SWITCH, TACTILE (WITH LED) (PTY) (GT500:AEP,UK)		R921	1-216-809-11	METAL CHIP 100	5% 1/10W
LSW905	1-786-805-11	SWITCH, TACTILE (WITH LED) (BTM) (GT550)		R922	1-216-809-11	METAL CHIP 100	5% 1/10W
LSW905	1-786-806-11	SWITCH, TACTILE (WITH LED) (BTM/CAT) (GT50W)		R923	1-216-819-11	METAL CHIP 680	5% 1/10W
LSW905	1-786-806-11	SWITCH, TACTILE (WITH LED) (BTM) (GT500EE)		R924	1-216-819-11	METAL CHIP 680	5% 1/10W
LSW907	1-786-805-11	SWITCH, TACTILE (WITH LED) (GP/ALBM +) (GT500/GT550)		R925	1-216-819-11	METAL CHIP 680	5% 1/10W
LSW907	1-786-806-11	SWITCH, TACTILE (WITH LED) (GP/ALBM +) (GT50W/GT500EE)		R926	1-216-821-11	METAL CHIP 1K	5% 1/10W
LSW908	1-786-805-11	SWITCH, TACTILE (WITH LED) (SEEK - ◀◀◀◀) (GT500/GT550)		R927	1-216-823-11	METAL CHIP 1.5K	5% 1/10W
LSW908	1-786-806-11	SWITCH, TACTILE (WITH LED) (SEEK - ◀◀◀◀) (GT50W/GT500EE)		R928	1-216-823-11	METAL CHIP 1.5K	5% 1/10W
LSW909	1-786-805-11	SWITCH, TACTILE (WITH LED) (GP/ALBM -) (GT500/GT550)		R929	1-216-825-11	METAL CHIP 2.2K	5% 1/10W
LSW909	1-786-806-11	SWITCH, TACTILE (WITH LED) (GP/ALBM -) (GT50W/GT500EE)		R930	1-216-827-11	METAL CHIP 3.3K	5% 1/10W
				R931	1-216-829-11	METAL CHIP 4.7K	5% 1/10W
				R932	1-218-867-11	METAL CHIP 6.8K	0.5% 1/10W
				R933	1-216-812-11	METAL CHIP 180	5% 1/10W
				R933	1-216-813-11	METAL CHIP 220	5% 1/10W (GT50W/GT500EE) (GT500/GT550)
				R934	1-216-812-11	METAL CHIP 180	5% 1/10W
				R935	1-216-812-11	METAL CHIP 180	5% 1/10W (GT50W/GT500EE)
				R935	1-216-813-11	METAL CHIP 220	5% 1/10W (GT500/GT550)
				R936	1-216-810-11	METAL CHIP 120	5% 1/10W (GT50W/GT500EE)
				R936	1-216-811-11	METAL CHIP 150	5% 1/10W (GT500/GT550)
				R937	1-216-809-11	METAL CHIP 100	5% 1/10W (GT50W/GT500EE)
				R937	1-216-811-11	METAL CHIP 150	5% 1/10W (GT500/GT550)
				R938	1-216-813-11	METAL CHIP 220	5% 1/10W (GT50W/GT500EE)
				R938	1-216-814-11	METAL CHIP 270	5% 1/10W (GT500/GT550)
				R939	1-216-810-11	METAL CHIP 120	5% 1/10W (GT50W/GT500EE)
				R939	1-216-811-11	METAL CHIP 150	5% 1/10W (GT500/GT550)

CDX-GT50W/GT500/GT500EE/GT550

KEY

Ref. No.	Part No.	Description	Remark	Ref. No.	Part No.	Description	Remark
R940	1-216-809-11	METAL CHIP	100 5% 1/10W (GT50W/GT500EE)	R967	1-414-760-21	INDUCTOR, FERRITE BEAD	
R940	1-216-811-11	METAL CHIP	150 5% 1/10W (GT500/GT550)	R968	1-414-760-21	INDUCTOR, FERRITE BEAD	
R942	1-216-813-11	METAL CHIP	220 5% 1/10W (GT50W/GT500EE)	R969	1-216-833-11	METAL CHIP 10K	5% 1/10W
R942	1-216-814-11	METAL CHIP	270 5% 1/10W (GT500/GT550)	R970	1-216-801-11	METAL CHIP 22	5% 1/10W
R943	1-216-810-11	METAL CHIP	120 5% 1/10W (GT50W/GT500EE)	R971	1-216-864-11	SHORT CHIP 0	
R943	1-216-811-11	METAL CHIP	150 5% 1/10W (GT500/GT550)	R972	1-414-760-21	INDUCTOR, FERRITE BEAD	
R944	1-216-809-11	METAL CHIP	100 5% 1/10W (GT50W/GT500EE)	R973	1-216-801-11	METAL CHIP 22	5% 1/10W
R944	1-216-811-11	METAL CHIP	150 5% 1/10W (GT500/GT550)	R974	1-414-760-21	INDUCTOR, FERRITE BEAD	
R945	1-216-810-11	METAL CHIP	120 5% 1/10W (GT50W/GT500EE)	R975	1-414-760-21	INDUCTOR, FERRITE BEAD	
R945	1-216-811-11	METAL CHIP	150 5% 1/10W (GT500/GT550)	R976	1-414-760-21	INDUCTOR, FERRITE BEAD	
R946	1-216-809-11	METAL CHIP	100 5% 1/10W (GT50W/GT500EE)	R977	1-414-760-21	INDUCTOR, FERRITE BEAD	
R946	1-216-811-11	METAL CHIP	150 5% 1/10W (GT500/GT550)	R979	1-414-760-21	INDUCTOR, FERRITE BEAD	
R947	1-216-810-11	METAL CHIP	120 5% 1/10W (GT50W/GT500EE)	R980	1-216-797-11	METAL CHIP 10	5% 1/10W
R947	1-216-811-11	METAL CHIP	150 5% 1/10W (GT500/GT550)	R981	1-414-760-21	INDUCTOR, FERRITE BEAD	
R948	1-216-809-11	METAL CHIP	100 5% 1/10W (GT50W/GT500EE)	R982	1-414-235-22	INDUCTOR, FERRITE BEAD	
R948	1-216-811-11	METAL CHIP	150 5% 1/10W (GT500/GT550)	R983	1-216-801-11	METAL CHIP 22	5% 1/10W
R949	1-216-810-11	METAL CHIP	120 5% 1/10W (GT50W/GT500EE)	R984	1-216-815-11	METAL CHIP 330	5% 1/10W
R949	1-216-811-11	METAL CHIP	150 5% 1/10W (GT500/GT550)	R985	1-216-801-11	METAL CHIP 22	5% 1/10W
R950	1-216-809-11	METAL CHIP	100 5% 1/10W (GT50W/GT500EE)	R988	1-414-235-22	INDUCTOR, FERRITE BEAD	
R950	1-216-811-11	METAL CHIP	150 5% 1/10W (GT500/GT550)	R989	1-216-841-11	METAL CHIP 47K	5% 1/10W
R951	1-216-864-11	SHORT CHIP	0	R990	1-216-845-11	METAL CHIP 100K	5% 1/10W
R952	1-216-864-11	SHORT CHIP	0	R991	1-216-841-11	METAL CHIP 47K	5% 1/10W
R953	1-216-864-11	SHORT CHIP	0	R992	1-216-009-11	RES-CHIP 22	5% 1/10W
R954	1-216-813-11	METAL CHIP	220 5% 1/10W (GT50W/GT500EE)	R993	1-216-845-11	METAL CHIP 100K	5% 1/10W
R954	1-216-814-11	METAL CHIP	270 5% 1/10W (GT500/GT550)	R994	1-216-815-11	METAL CHIP 330	5% 1/10W
R955	1-216-813-11	METAL CHIP	220 5% 1/10W (GT50W/GT500EE)	R995	1-414-760-21	INDUCTOR, FERRITE BEAD	
R955	1-216-814-11	METAL CHIP	270 5% 1/10W (GT500/GT550)	R996	1-216-797-11	METAL CHIP 10	5% 1/10W
R956	1-414-234-22	INDUCTOR, FERRITE BEAD		R997	1-216-821-11	METAL CHIP 1K	5% 1/10W
R957	1-216-864-11	SHORT CHIP	0	R998	1-216-009-11	RES-CHIP 22	5% 1/10W
R958	1-216-295-11	SHORT CHIP	0	R999	1-216-841-11	METAL CHIP 47K	5% 1/10W
R959	1-216-864-11	SHORT CHIP	0	< SWITCH >			
R960	1-216-864-11	SHORT CHIP	0	S908	1-786-653-21	SWITCH, TACTILE (DSO)	
R961	1-216-864-11	SHORT CHIP	0	S911	1-786-653-21	SWITCH, TACTILE (SOURCE)	
R962	1-216-797-11	METAL CHIP	10 5% 1/10W	S912	1-786-653-21	SWITCH, TACTILE (EQ3)	
R963	1-216-801-11	METAL CHIP	22 5% 1/10W	S913	1-786-653-21	SWITCH, TACTILE (6/PAUSE)	
R964	1-414-760-21	INDUCTOR, FERRITE BEAD		S914	1-786-653-21	SWITCH, TACTILE (5/BBE MP)	
R965	1-414-760-21	INDUCTOR, FERRITE BEAD		S915	1-786-653-21	SWITCH, TACTILE (4/SHUF)	
R966	1-414-760-21	INDUCTOR, FERRITE BEAD		S916	1-786-653-21	SWITCH, TACTILE (3/REP)	
				S917	1-786-653-21	SWITCH, TACTILE (2)	
				S918	1-786-653-21	SWITCH, TACTILE (1)	
				S919	1-786-653-21	SWITCH, TACTILE (SCRL) (GT50W/GT500:US,CND/GT500EE/GT550)	
				S919	1-786-653-21	SWITCH, TACTILE (AF/TA) (GT500:AEP,UK)	
				S920	1-786-653-21	SWITCH, TACTILE (MODE)	
				S921	1-786-653-21	SWITCH, TACTILE (IMAGE)	
				< VIBRATOR >			
				X901	1-813-487-21	VIBRATOR, CRYSTAL (5MHz)	

Ref. No.	Part No.	Description	Remark	Ref. No.	Part No.	Description	Remark
A-1156-591-A		MAIN BOARD, COMPLETE (US,CND)		C206	1-126-960-11	ELECT	1uF 20% 50V (EXCEPT AEP,UK,EE)
A-1158-884-A		MAIN BOARD, COMPLETE (AEP,UK)		C209	1-165-908-11	CERAMIC CHIP	1uF 10% 10V
A-1158-896-A		MAIN BOARD, COMPLETE (GT550)		C210	1-165-908-11	CERAMIC CHIP	1uF 10% 10V
A-1158-918-A		MAIN BOARD, COMPLETE (GT500EE)		C211	1-124-721-85	ELECT	10uF 20% 50V (AEP,UK,EE)
		*****		C211	1-126-964-11	ELECT	10uF 20% 50V (EXCEPT AEP,UK,EE)
7-621-284-40		SCREW +P 2.6X10		C217	1-163-251-11	CERAMIC CHIP	100PF 5% 50V
7-685-134-19		SCREW +P 2.6X8 TYPE2 NON-SLIT		C219	1-162-970-11	CERAMIC CHIP	0.01uF 10% 25V
7-685-793-09		SCREW +PTT 2.6X8 (S)		C220	1-163-251-11	CERAMIC CHIP	100PF 5% 50V
7-685-795-09		SCREW +PTT 2.6X12 (S)		C221	1-124-673-85	ELECT	100uF 20% 10V (AEP,UK,EE)
		< CAPACITOR >		C221	1-126-933-11	ELECT	100uF 20% 16V (EXCEPT AEP,UK,EE)
C100	1-112-302-11	ELECT	3300uF 20% 16V (AEP,UK,EE)	C223	1-163-251-11	CERAMIC CHIP	100PF 5% 50V
C100	1-131-868-81	ELECT	3300uF 20% 16V (EXCEPT AEP,UK,EE)	C224	1-124-721-85	ELECT	10uF 20% 50V (AEP,UK,EE)
C101	1-162-964-11	CERAMIC CHIP	0.001uF 10% 50V	C224	1-126-964-11	ELECT	10uF 20% 50V (EXCEPT AEP,UK,EE)
C102	1-115-340-11	CERAMIC CHIP	0.22uF 10% 25V	C225	1-124-721-85	ELECT	10uF 20% 50V (AEP,UK,EE)
C103	1-162-964-11	CERAMIC CHIP	0.001uF 10% 50V	C225	1-126-964-11	ELECT	10uF 20% 50V (EXCEPT AEP,UK,EE)
C112	1-163-009-11	CERAMIC CHIP	0.001uF 10% 50V	C226	1-124-721-85	ELECT	10uF 20% 50V (AEP,UK,EE)
C150	1-126-964-11	ELECT	10uF 20% 50V	C226	1-126-964-11	ELECT	10uF 20% 50V (EXCEPT AEP,UK,EE)
C151	1-162-970-11	CERAMIC CHIP	0.01uF 10% 25V	C227	1-124-721-85	ELECT	10uF 20% 50V (AEP,UK,EE)
C152	1-126-964-11	ELECT	10uF 20% 50V	C227	1-126-964-11	ELECT	10uF 20% 50V (EXCEPT AEP,UK,EE)
C153	1-162-970-11	CERAMIC CHIP	0.01uF 10% 25V	C228	1-124-721-85	ELECT	10uF 20% 50V (AEP,UK,EE)
C154	1-115-340-11	CERAMIC CHIP	0.22uF 10% 25V	C228	1-126-964-11	ELECT	10uF 20% 50V (EXCEPT AEP,UK,EE)
C155	1-126-964-11	ELECT	10uF 20% 50V	C229	1-163-251-11	CERAMIC CHIP	100PF 5% 50V
C156	1-126-964-11	ELECT	10uF 20% 50V	C230	1-163-251-11	CERAMIC CHIP	100PF 5% 50V
C157	1-162-970-11	CERAMIC CHIP	0.01uF 10% 25V	C231	1-163-251-11	CERAMIC CHIP	100PF 5% 50V
C158	1-162-927-11	CERAMIC CHIP	100PF 5% 50V	C232	1-163-009-11	CERAMIC CHIP	0.001uF 10% 50V
C159	1-162-927-11	CERAMIC CHIP	100PF 5% 50V	C233	1-165-908-11	CERAMIC CHIP	1uF 10% 10V
C160	1-115-340-11	CERAMIC CHIP	0.22uF 10% 25V	C234	1-165-908-11	CERAMIC CHIP	1uF 10% 10V
C161	1-115-340-11	CERAMIC CHIP	0.22uF 10% 25V	C235	1-165-908-11	CERAMIC CHIP	1uF 10% 10V
C162	1-115-340-11	CERAMIC CHIP	0.22uF 10% 25V	C236	1-165-908-11	CERAMIC CHIP	1uF 10% 10V
C163	1-162-970-11	CERAMIC CHIP	0.01uF 10% 25V	C237	1-165-908-11	CERAMIC CHIP	1uF 10% 10V
C164	1-126-964-11	ELECT	10uF 20% 50V	C238	1-165-908-11	CERAMIC CHIP	1uF 10% 10V
C165	1-126-961-11	ELECT	2.2uF 20% 50V	C239	1-165-908-11	CERAMIC CHIP	1uF 10% 10V
C166	1-162-927-11	CERAMIC CHIP	100PF 5% 50V	C240	1-165-908-11	CERAMIC CHIP	1uF 10% 10V
C167	1-162-927-11	CERAMIC CHIP	100PF 5% 50V	C245	1-136-154-00	FILM	0.012uF 5% 50V
C168	1-162-970-11	CERAMIC CHIP	0.01uF 10% 25V	C246	1-162-965-11	CERAMIC CHIP	0.0015uF 10% 50V
C169	1-126-964-11	ELECT	10uF 20% 50V	C250	1-126-947-11	ELECT	47uF 20% 35V
C170	1-162-970-11	CERAMIC CHIP	0.01uF 10% 25V	C255	1-136-154-00	FILM	0.012uF 5% 50V
C171	1-162-923-11	CERAMIC CHIP	47PF 5% 50V	C256	1-162-965-11	CERAMIC CHIP	0.0015uF 10% 50V
C172	1-128-551-11	ELECT	22uF 20% 63V (EXCEPT AEP,UK,EE)	C257	1-162-927-11	CERAMIC CHIP	100PF 5% 50V
C172	1-124-695-85	ELECT	22uF 20% 25V (AEP,UK,EE)	C300	1-162-964-11	CERAMIC CHIP	0.001uF 10% 50V
C173	1-127-715-11	CERAMIC CHIP	0.22uF 10% 16V	C301	1-162-964-11	CERAMIC CHIP	0.001uF 10% 50V
C174	1-115-340-11	CERAMIC CHIP	0.22uF 10% 25V	C302	1-126-963-11	ELECT	4.7uF 20% 50V (AEP,UK)
C175	1-115-340-11	CERAMIC CHIP	0.22uF 10% 25V	C304	1-107-826-11	CERAMIC CHIP	0.1uF 10% 16V (EXCEPT AEP,UK)
C200	1-163-009-11	CERAMIC CHIP	0.001uF 10% 50V	C305	1-126-947-11	ELECT	47uF 20% 35V
C201	1-107-826-11	CERAMIC CHIP	0.1uF 10% 16V				
C202	1-126-960-11	ELECT	1uF 20% 50V				
C203	1-126-960-11	ELECT	1uF 20% 50V				
C204	1-126-960-11	ELECT	1uF 20% 50V				
C205	1-124-717-85	ELECT	1uF 20% 50V (AEP,UK,EE)				
C205	1-126-960-11	ELECT	1uF 20% 50V (EXCEPT AEP,UK,EE)				
C206	1-124-717-85	ELECT	1uF 20% 50V (AEP,UK,EE)				

CDX-GT50W/GT500/GT500EE/GT550

MAIN

Ref. No.	Part No.	Description	Remark	Ref. No.	Part No.	Description	Remark
C306	1-162-970-11	CERAMIC CHIP	0.01uF 10% 25V	C628	1-107-826-11	CERAMIC CHIP	0.1uF 10% 16V
C307	1-126-947-11	ELECT	47uF 20% 35V	C629	1-126-933-11	ELECT	100uF 20% 16V
C308	1-162-970-11	CERAMIC CHIP	0.01uF 10% 25V	C642	1-107-826-11	CERAMIC CHIP	0.1uF 10% 16V
C309	1-162-970-11	CERAMIC CHIP	0.01uF 10% 25V	C644	1-162-964-11	CERAMIC CHIP	0.001uF 10% 50V
C310	1-107-826-11	CERAMIC CHIP	0.1uF 10% 16V	C700	1-126-933-11	ELECT	100uF 20% 16V
C350	1-162-923-11	CERAMIC CHIP	47PF 5% 50V (AEP,UK)	C701	1-162-970-11	CERAMIC CHIP	0.01uF 10% 25V
C352	1-216-864-11	SHORT CHIP	0 (AEP,UK)	C702	1-162-970-11	CERAMIC CHIP	0.01uF 10% 25V
C353	1-162-970-11	CERAMIC CHIP	0.01uF 10% 25V (AEP,UK)	C703	1-126-924-11	ELECT	330uF 20% 10V
C354	1-126-947-11	ELECT	47uF 20% 35V (AEP,UK)	C704	1-126-926-11	ELECT	1000uF 20% 10V
C355	1-107-826-11	CERAMIC CHIP	0.1uF 10% 16V (AEP,UK)	C705	1-163-009-11	CERAMIC CHIP	0.001uF 10% 50V
C356	1-107-826-11	CERAMIC CHIP	0.1uF 10% 16V (AEP,UK)	C710	1-162-927-11	CERAMIC CHIP	100PF 5% 50V
C357	1-107-826-11	CERAMIC CHIP	0.1uF 10% 16V (AEP,UK)	C713	1-107-826-11	CERAMIC CHIP	0.1uF 10% 16V
C358	1-107-826-11	CERAMIC CHIP	0.1uF 10% 16V (AEP,UK)	C714	1-126-964-11	ELECT	10uF 20% 50V
C359	1-107-826-11	CERAMIC CHIP	0.1uF 10% 16V (AEP,UK)	C715	1-162-970-11	CERAMIC CHIP	0.01uF 10% 25V
C360	1-107-826-11	CERAMIC CHIP	0.1uF 10% 16V (AEP,UK)	C716	1-162-917-11	CERAMIC CHIP	15PF 5% 50V
C361	1-162-959-11	CERAMIC CHIP	330PF 5% 50V (AEP,UK)	C717	1-162-917-11	CERAMIC CHIP	15PF 5% 50V
C362	1-164-237-11	CERAMIC CHIP	16PF 5% 50V (AEP,UK)	C718	1-162-970-11	CERAMIC CHIP	0.01uF 10% 25V
C363	1-164-237-11	CERAMIC CHIP	16PF 5% 50V (AEP,UK)	C719	1-162-970-11	CERAMIC CHIP	0.01uF 10% 25V
C401	1-128-551-11	ELECT	22uF 20% 63V	C720	1-162-970-11	CERAMIC CHIP	0.01uF 10% 25V
C402	1-162-970-11	CERAMIC CHIP	0.01uF 10% 25V	C721	1-162-970-11	CERAMIC CHIP	0.01uF 10% 25V
C403	1-162-970-11	CERAMIC CHIP	0.01uF 10% 25V	C724	1-162-970-11	CERAMIC CHIP	0.01uF 10% 25V
C404	1-126-964-11	ELECT	10uF 20% 50V	C725	1-162-964-11	CERAMIC CHIP	0.001uF 10% 50V
C405	1-128-551-11	ELECT	22uF 20% 63V	C726	1-162-964-11	CERAMIC CHIP	0.001uF 10% 50V
C406	1-162-970-11	CERAMIC CHIP	0.01uF 10% 25V	C727	1-162-964-11	CERAMIC CHIP	0.001uF 10% 50V
C407	1-162-970-11	CERAMIC CHIP	0.01uF 10% 25V	C728	1-162-964-11	CERAMIC CHIP	0.001uF 10% 50V
C408	1-124-673-85	ELECT	100uF 20% 10V (AEP,UK,EE)	C729	1-162-964-11	CERAMIC CHIP	0.001uF 10% 50V
C408	1-126-933-11	ELECT	100uF 20% 16V (EXCEPT AEP,UK,EE)	C730	1-162-964-11	CERAMIC CHIP	0.001uF 10% 50V
C450	1-162-970-11	CERAMIC CHIP	0.01uF 10% 25V	C731	1-162-964-11	CERAMIC CHIP	0.001uF 10% 50V
C451	1-126-935-11	ELECT	470uF 20% 16V	C733	1-162-970-11	CERAMIC CHIP	0.01uF 10% 25V
C453	1-162-970-11	CERAMIC CHIP	0.01uF 10% 25V	C903	1-162-970-11	CERAMIC CHIP	0.01uF 10% 25V
C500	1-126-961-11	ELECT	2.2uF 20% 50V	C904	1-162-970-11	CERAMIC CHIP	0.01uF 10% 25V
C510	1-126-963-11	ELECT	4.7uF 20% 50V			< CONNECTOR >	
C600	1-162-970-11	CERAMIC CHIP	0.01uF 10% 25V	CN100	1-774-701-21	PIN, CONNECTOR 16P	
C601	1-162-970-11	CERAMIC CHIP	0.01uF 10% 25V	* CN200	1-564-506-11	PLUG, CONNECTOR 3P	
C604	1-126-933-11	ELECT	100uF 20% 16V	CN400	1-817-536-11	CONNECTOR, BOARD TO BOARD 28P	
C605	1-162-970-11	CERAMIC CHIP	0.01uF 10% 25V	CN610	1-569-915-11	SOCKET, CONNECTOR 22P	
C610	1-135-834-11	CERAMIC CHIP	2.2uF 6.3V	CNJ450	1-580-907-41	PLUG, CONNECTOR (BUS CONTROL IN)	
C611	1-135-834-11	CERAMIC CHIP	2.2uF 6.3V			< DIODE >	
C612	1-162-964-11	CERAMIC CHIP	0.001uF 10% 50V	D100	6-501-170-01	DIODE UDZW-TE17-6.8B	
C620	1-126-933-11	ELECT	100uF 20% 16V	D101	8-719-049-38	DIODE 1N5404TU	
C621	1-128-552-11	ELECT	47uF 20% 63V	D102	6-501-180-01	DIODE UDZW-TE17-18B	
C622	1-126-934-11	ELECT	220uF 20% 16V	D103	6-501-180-01	DIODE UDZW-TE17-18B	
C624	1-107-826-11	CERAMIC CHIP	0.1uF 10% 16V	D104	6-501-180-01	DIODE UDZW-TE17-18B	
C625	1-162-966-11	CERAMIC CHIP	0.0022uF 10% 50V	D105	6-501-180-01	DIODE UDZW-TE17-18B	
C626	1-126-964-11	ELECT	10uF 20% 50V	D106	6-501-180-01	DIODE UDZW-TE17-18B	
C627	1-164-315-11	CERAMIC CHIP	470PF 5% 50V	D107	6-501-362-01	DIODE 1A4-TA26	
				D108	6-501-362-01	DIODE 1A4-TA26	
				D109	6-501-362-01	DIODE 1A4-TA26	
				D110	6-501-362-01	DIODE 1A4-TA26	
				D111	6-501-362-01	DIODE 1A4-TA26	
				D112	6-501-362-01	DIODE 1A4-TA26	
				D113	6-501-362-01	DIODE 1A4-TA26	
				D114	6-501-362-01	DIODE 1A4-TA26	
				D115	6-501-362-01	DIODE 1A4-TA26	
				D116	6-501-362-01	DIODE 1A4-TA26	
				D117	6-501-362-01	DIODE 1A4-TA26	

Ref. No.	Part No.	Description	Remark	Ref. No.	Part No.	Description	Remark
D118	6-501-362-01	DIODE 1A4-TA26		L351	1-414-760-21	INDUCTOR, FERRITE BEAD (AEP,UK)	
D200	6-501-170-01	DIODE UDZW-TE17-6.8B		L355	1-469-844-11	INDUCTOR 2.2uH (AEP,UK)	
D250	6-501-051-01	DIODE BAT54CLT1G		L400	1-500-245-11	INDUCTOR, FERRITE BEAD	
D252	6-501-193-01	DIODE 1SS355WTE-17		L401	1-469-876-11	INDUCTOR, FERRITE BEAD	
D300	6-501-168-01	DIODE UDZW-TE17-5.6B		L402	1-216-295-11	SHORT CHIP 0	
D450	6-501-180-01	DIODE UDZW-TE17-18B		L403	1-216-864-11	SHORT CHIP 0	
D452	6-501-180-01	DIODE UDZW-TE17-18B		L404	1-500-245-11	INDUCTOR, FERRITE BEAD	
D453	6-501-180-01	DIODE UDZW-TE17-18B		L405	1-469-876-11	INDUCTOR, FERRITE BEAD	
D454	6-501-169-01	DIODE UDZW-TE17-6.2B		L406	1-216-864-11	SHORT CHIP 0	
D455	8-719-072-70	DIODE MA2ZD14001S0		L407	1-216-864-11	SHORT CHIP 0	
D456	6-501-180-01	DIODE UDZW-TE17-18B		L408	1-469-876-11	INDUCTOR, FERRITE BEAD	
D457	6-501-051-01	DIODE BAT54CLT1G		L409	1-500-245-11	INDUCTOR, FERRITE BEAD	
D510	6-501-193-01	DIODE 1SS355WTE-17		L410	1-469-876-11	INDUCTOR, FERRITE BEAD	
D610	6-500-886-01	DIODE RSA6.1ENTR		L411	1-216-295-11	SHORT CHIP 0	
D611	6-500-886-01	DIODE RSA6.1ENTR		L620	1-457-073-11	INDUCTOR 47uH	
D612	6-500-886-01	DIODE RSA6.1ENTR		L901	1-469-844-11	INDUCTOR 2.2uH	
D613	6-501-180-01	DIODE UDZW-TE17-18B		L902	1-469-844-11	INDUCTOR 2.2uH	
D614	6-501-180-01	DIODE UDZW-TE17-18B				< TRANSISTOR >	
D616	6-501-170-01	DIODE UDZW-TE17-6.8B		Q200	6-550-683-01	FET RJK005N03-T146	
D620	8-719-053-18	DIODE 1SR154-400TE-25		Q201	6-550-752-01	TRANSISTOR DTC614TKT146	
D621	8-719-053-18	DIODE 1SR154-400TE-25		Q202	6-550-752-01	TRANSISTOR DTC614TKT146	
D622	6-501-089-01	DIODE RF101L2STE25		Q203	6-550-752-01	TRANSISTOR DTC614TKT146	
D624	8-719-067-83	DIODE RB161L-40TE25		Q204	6-550-752-01	TRANSISTOR DTC614TKT146	
D625	6-501-180-01	DIODE UDZW-TE17-18B		Q205	6-550-752-01	TRANSISTOR DTC614TKT146	
D626	6-501-167-01	DIODE UDZW-TE17-5.1B		Q250	1-801-806-11	TRANSISTOR DTC144EKA	
D627	6-501-173-01	DIODE UDZW-TE17-9.1B		Q251	8-729-027-23	TRANSISTOR DTA114EKA-T146	
D710	6-501-013-01	DIODE BAT54ALT1G		Q300	1-801-806-11	TRANSISTOR DTC144EKA (AEP,UK)	
D711	6-501-013-01	DIODE BAT54ALT1G		Q301	6-551-431-01	TRANSISTOR 2SC6027T100-QR	
D712	6-501-013-01	DIODE BAT54ALT1G		Q350	8-729-026-49	TRANSISTOR 2SA1037AK-T146-R (AEP,UK)	
D713	8-719-060-48	DIODE RB751V-40TE-17		Q453	8-729-027-23	TRANSISTOR DTA114EKA-T146	
		< RESISTOR >		Q454	8-729-047-76	TRANSISTOR FMC2A-T148	
FB301	1-216-295-11	SHORT CHIP 0		Q455	8-729-027-43	TRANSISTOR DTC114EKA-T146	
		< IC >		Q500	8-729-120-28	TRANSISTOR 2SC1623-L5L6	
IC150	6-705-359-02	IC TDA8588AJ/N2/R1		Q510	8-729-120-28	TRANSISTOR 2SC1623-L5L6	
IC350	6-803-747-01	IC TDA7333013TR (AEP,UK)		Q520	8-729-120-28	TRANSISTOR 2SC1623-L5L6	
IC401	6-707-303-01	IC TDA7419TR		Q601	8-729-047-76	TRANSISTOR FMC2A-T148	
IC450	6-703-884-01	IC BA8271F-E2		Q620	6-551-131-01	FET 2SK3614-TD-E	
IC600	6-707-281-01	IC MM1613DNLE		Q621	8-729-027-23	TRANSISTOR DTA114EKA-T146	
IC620	6-705-542-01	IC NJM2377M(TE2)		Q622	1-801-806-11	TRANSISTOR DTC144EKA	
IC700	6-705-373-01	IC MM3123DPLE		Q623	1-801-806-11	TRANSISTOR DTC144EKA	
IC710	8-759-659-13	IC PST3428JUL		Q641	1-801-806-11	TRANSISTOR DTC144EKA	
IC711	6-806-151-01	IC MB90487APF-G-162E1		Q642	8-729-027-23	TRANSISTOR DTA114EKA-T146	
		< JACK >		Q643	8-729-120-28	TRANSISTOR 2SC1623-L5L6	
J200	1-774-700-11	JACK, PIN 6P (BUS AUDIO IN, AUDIO OUT REAR/FRONT)		Q710	8-729-027-23	TRANSISTOR DTA114EKA-T146	
J300	1-815-185-13	JACK (ANTENNA)				< RESISTOR >	
J530	1-566-822-41	JACK (REMOTE IN)		R100	1-216-073-00	RES-CHIP 10K 5% 1/10W	
		< COIL >		R101	1-249-425-11	CARBON 4.7K 5% 1/4W	
L100	1-456-617-11	COIL, CHOKE		R102	1-249-425-11	CARBON 4.7K 5% 1/4W	
L200	1-469-844-11	INDUCTOR 2.2uH		R103	1-216-821-11	METAL CHIP 1K 5% 1/10W	
L201	1-216-864-11	SHORT CHIP 0		R152	1-216-811-11	METAL CHIP 150 5% 1/10W	
L300	1-216-295-11	SHORT CHIP 0		R153	1-216-841-11	METAL CHIP 47K 5% 1/10W	
L302	1-216-295-11	SHORT CHIP 0		R200	1-216-809-11	METAL CHIP 100 5% 1/10W	
L350	1-414-760-21	INDUCTOR, FERRITE BEAD (AEP,UK)		R201	1-216-833-11	METAL CHIP 10K 5% 1/10W	
				R202	1-216-825-11	METAL CHIP 2.2K 5% 1/10W	
				R203	1-216-789-11	METAL CHIP 2.2 5% 1/10W	

CDX-GT50W/GT500/GT500EE/GT550

MAIN

Ref. No.	Part No.	Description	Remark	Ref. No.	Part No.	Description	Remark
R204	1-216-825-11	METAL CHIP	2.2K 5% 1/10W	R356	1-216-864-11	SHORT CHIP	0 (AEP,UK)
R205	1-216-833-11	METAL CHIP	10K 5% 1/10W	R357	1-216-864-11	SHORT CHIP	0 (AEP,UK)
R206	1-216-833-11	METAL CHIP	10K 5% 1/10W	R358	1-216-797-11	METAL CHIP	10 5% 1/10W (AEP,UK)
R207	1-216-809-11	METAL CHIP	100 5% 1/10W	R359	1-216-864-11	SHORT CHIP	0 (AEP,UK)
R208	1-216-809-11	METAL CHIP	100 5% 1/10W	R400	1-216-864-11	SHORT CHIP	0
R209	1-216-809-11	METAL CHIP	100 5% 1/10W	R401	1-216-801-11	METAL CHIP	22 5% 1/10W
R210	1-216-809-11	METAL CHIP	100 5% 1/10W	R402	1-216-801-11	METAL CHIP	22 5% 1/10W
R214	1-216-809-11	METAL CHIP	100 5% 1/10W	R403	1-216-801-11	METAL CHIP	22 5% 1/10W
R215	1-216-809-11	METAL CHIP	100 5% 1/10W	R404	1-216-801-11	METAL CHIP	22 5% 1/10W
R216	1-216-809-11	METAL CHIP	100 5% 1/10W	R405	1-216-801-11	METAL CHIP	22 5% 1/10W
R217	1-216-809-11	METAL CHIP	100 5% 1/10W	R406	1-216-864-11	SHORT CHIP	0
R218	1-216-809-11	METAL CHIP	100 5% 1/10W	R407	1-216-864-11	SHORT CHIP	0
R220	1-216-809-11	METAL CHIP	100 5% 1/10W	R450	1-216-864-11	SHORT CHIP	0
R221	1-216-809-11	METAL CHIP	100 5% 1/10W	R453	1-216-864-11	SHORT CHIP	0
R222	1-216-809-11	METAL CHIP	100 5% 1/10W	R455	1-216-864-11	SHORT CHIP	0
R223	1-216-809-11	METAL CHIP	100 5% 1/10W	R456	1-216-829-11	METAL CHIP	4.7K 5% 1/10W
R224	1-216-809-11	METAL CHIP	100 5% 1/10W	R457	1-216-821-11	METAL CHIP	1K 5% 1/10W
R225	1-216-833-11	METAL CHIP	10K 5% 1/10W	R458	1-216-821-11	METAL CHIP	1K 5% 1/10W
R226	1-216-833-11	METAL CHIP	10K 5% 1/10W	R459	1-216-835-11	METAL CHIP	15K 5% 1/10W
R227	1-216-833-11	METAL CHIP	10K 5% 1/10W	R461	1-216-821-11	METAL CHIP	1K 5% 1/10W
R228	1-216-833-11	METAL CHIP	10K 5% 1/10W	R500	1-216-841-11	METAL CHIP	47K 5% 1/10W
R229	1-216-833-11	METAL CHIP	10K 5% 1/10W	R501	1-216-841-11	METAL CHIP	47K 5% 1/10W
R230	1-216-864-11	SHORT CHIP	0	R502	1-216-829-11	METAL CHIP	4.7K 5% 1/10W
R231	1-216-864-11	SHORT CHIP	0	R510	1-216-845-11	METAL CHIP	100K 5% 1/10W
R232	1-216-864-11	SHORT CHIP	0	R511	1-216-837-11	METAL CHIP	22K 5% 1/10W
R233	1-216-864-11	SHORT CHIP	0	R520	1-216-841-11	METAL CHIP	47K 5% 1/10W
R245	1-216-833-11	METAL CHIP	10K 5% 1/10W	R521	1-216-833-11	METAL CHIP	10K 5% 1/10W
R246	1-216-833-11	METAL CHIP	10K 5% 1/10W	R522	1-216-833-11	METAL CHIP	10K 5% 1/10W
R251	1-216-805-11	METAL CHIP	47 5% 1/10W	R530	1-216-809-11	METAL CHIP	100 5% 1/10W
R255	1-216-833-11	METAL CHIP	10K 5% 1/10W	R531	1-216-809-11	METAL CHIP	100 5% 1/10W
R256	1-216-833-11	METAL CHIP	10K 5% 1/10W	R532	1-216-864-11	SHORT CHIP	0
R262	1-216-864-11	SHORT CHIP	0	R605	1-216-029-00	RES-CHIP	150 5% 1/10W
R300	1-216-843-11	METAL CHIP	68K 5% 1/10W	R606	1-216-029-00	RES-CHIP	150 5% 1/10W
R301	1-216-839-11	METAL CHIP	33K 5% 1/10W	R607	1-216-029-00	RES-CHIP	150 5% 1/10W
R302	1-216-809-11	METAL CHIP	100 5% 1/10W (AEP,UK)	R610	1-216-809-11	METAL CHIP	100 5% 1/10W
R303	1-216-843-11	METAL CHIP	68K 5% 1/10W	R611	1-216-809-11	METAL CHIP	100 5% 1/10W
R304	1-216-839-11	METAL CHIP	33K 5% 1/10W	R612	1-216-809-11	METAL CHIP	100 5% 1/10W
R305	1-216-843-11	METAL CHIP	68K 5% 1/10W	R613	1-216-809-11	METAL CHIP	100 5% 1/10W
R306	1-216-839-11	METAL CHIP	33K 5% 1/10W (AEP,UK)	R614	1-216-809-11	METAL CHIP	100 5% 1/10W
R307	1-414-760-21	INDUCTOR, FERRITE BEAD		R615	1-216-809-11	METAL CHIP	100 5% 1/10W
R308	1-414-760-21	INDUCTOR, FERRITE BEAD		R616	1-216-809-11	METAL CHIP	100 5% 1/10W
R309	1-414-760-21	INDUCTOR, FERRITE BEAD		R617	1-216-809-11	METAL CHIP	100 5% 1/10W
R310	1-414-760-21	INDUCTOR, FERRITE BEAD		R618	1-216-809-11	METAL CHIP	100 5% 1/10W
R311	1-216-821-11	METAL CHIP	1K 5% 1/10W	R619	1-216-841-11	METAL CHIP	47K 5% 1/10W
R350	1-216-821-11	METAL CHIP	1K 5% 1/10W (AEP,UK)	R620	1-216-841-11	METAL CHIP	47K 5% 1/10W
R351	1-216-833-11	METAL CHIP	10K 5% 1/10W (AEP,UK)	R621	1-216-841-11	METAL CHIP	47K 5% 1/10W
R352	1-216-797-11	METAL CHIP	10 5% 1/10W (AEP,UK)	R622	1-218-863-11	METAL CHIP	4.7K 0.5% 1/10W
R353	1-216-797-11	METAL CHIP	10 5% 1/10W (AEP,UK)	R623	1-218-895-11	METAL CHIP	100K 0.5% 1/10W
R354	1-216-845-11	METAL CHIP	100K 5% 1/10W (AEP,UK)	R624	1-218-847-11	METAL CHIP	1K 0.5% 1/10W
R355	1-216-801-11	METAL CHIP	22 5% 1/10W (AEP,UK)	R625	1-216-805-11	METAL CHIP	47 5% 1/10W
				R626	1-216-841-11	METAL CHIP	47K 5% 1/10W
				R627	1-216-846-11	METAL CHIP	120K 5% 1/10W
				R628	1-216-841-11	METAL CHIP	47K 5% 1/10W
				R629	1-216-833-11	METAL CHIP	10K 5% 1/10W
				R630	1-216-837-11	METAL CHIP	22K 5% 1/10W
				R631	1-216-821-11	METAL CHIP	1K 5% 1/10W
				R632	1-216-823-11	METAL CHIP	1.5K 5% 1/10W

Ref. No.	Part No.	Description	Quantity	Percentage	Remark	Ref. No.	Part No.	Description	Quantity	Percentage	Remark
R633	1-216-821-11	METAL CHIP	1K	5%	1/10W	R749	1-216-809-11	METAL CHIP	100	5%	1/10W
R634	1-216-848-11	METAL CHIP	180K	5%	1/10W	R750	1-216-809-11	METAL CHIP	100	5%	1/10W
R635	1-216-864-11	SHORT CHIP	0			R751	1-216-845-11	METAL CHIP	100K	5%	1/10W
R636	1-216-839-11	METAL CHIP	33K	5%	1/10W	R752	1-216-845-11	METAL CHIP	100K	5%	1/10W
R637	1-216-809-11	METAL CHIP	100	5%	1/10W	R753	1-216-841-11	METAL CHIP	47K	5%	1/10W
R638	1-216-864-11	SHORT CHIP	0			R754	1-216-841-11	METAL CHIP	47K	5%	1/10W
R639	1-216-134-00	RES-CHIP	2.2	5%	1/8W	R755	1-216-809-11	METAL CHIP	100	5%	1/10W
R642	1-216-174-00	RES-CHIP	100	5%	1/8W	R757	1-216-809-11	METAL CHIP	100	5%	1/10W
R643	1-216-864-11	SHORT CHIP	0			R758	1-216-845-11	METAL CHIP	100K	5%	1/10W
R644	1-216-801-11	METAL CHIP	22	5%	1/10W	R759	1-216-809-11	METAL CHIP	100	5%	1/10W
R645	1-216-134-00	RES-CHIP	2.2	5%	1/8W	R760	1-216-841-11	METAL CHIP	47K	5%	1/10W
R648	1-216-813-11	METAL CHIP	220	5%	1/10W	R761	1-216-845-11	METAL CHIP	100K	5%	1/10W
R650	1-216-295-11	SHORT CHIP	0			R762	1-216-845-11	METAL CHIP	100K	5%	1/10W
R651	1-216-134-00	RES-CHIP	2.2	5%	1/8W	R763	1-216-813-11	METAL CHIP	220	5%	1/10W
R652	1-216-821-11	METAL CHIP	1K	5%	1/10W	R764	1-216-813-11	METAL CHIP	220	5%	1/10W
R653	1-216-864-11	SHORT CHIP	0			R765	1-216-809-11	METAL CHIP	100	5%	1/10W
R654	1-216-174-00	RES-CHIP	100	5%	1/8W	R766	1-216-809-11	METAL CHIP	100	5%	1/10W
R655	1-216-174-00	RES-CHIP	100	5%	1/8W	R767	1-216-809-11	METAL CHIP	100	5%	1/10W
R711	1-216-849-11	METAL CHIP	220K	5%	1/10W	R768	1-216-845-11	METAL CHIP	100K	5%	1/10W
R712	1-216-849-11	METAL CHIP	220K	5%	1/10W	R769	1-216-825-11	METAL CHIP	2.2K	5%	1/10W
R713	1-216-845-11	METAL CHIP	100K	5%	1/10W	R770	1-216-825-11	METAL CHIP	2.2K	5%	1/10W
R715	1-216-845-11	METAL CHIP	100K	5%	1/10W (GT550)	R771	1-218-871-11	METAL CHIP	10K	0.5%	1/10W
R716	1-216-845-11	METAL CHIP	100K	5%	1/10W (GT550)	R772	1-218-871-11	METAL CHIP	10K	0.5%	1/10W
R717	1-216-845-11	METAL CHIP	100K	5%	1/10W	R774	1-216-809-11	METAL CHIP	100	5%	1/10W
R718	1-216-809-11	METAL CHIP	100	5%	1/10W	R775	1-218-871-11	METAL CHIP	10K	0.5%	1/10W
R719	1-216-845-11	METAL CHIP	100K	5%	1/10W (GT500EE)	R780	1-216-809-11	METAL CHIP	100	5%	1/10W
R720	1-216-845-11	METAL CHIP	100K	5%	1/10W (US,CND,EE)	R781	1-216-801-11	METAL CHIP	22	5%	1/10W
R721	1-216-845-11	METAL CHIP	100K	5%	1/10W (AEP,UK,EE)	R782	1-216-801-11	METAL CHIP	22	5%	1/10W
R722	1-216-845-11	METAL CHIP	100K	5%	1/10W (EXCEPT AEP,UK,EE)	R784	1-216-845-11	METAL CHIP	100K	5%	1/10W (GT50W/GT500/GT550)
R723	1-216-845-11	METAL CHIP	100K	5%	1/10W (AEP,UK,E,CH,MX)	R785	1-216-845-11	METAL CHIP	100K	5%	1/10W (GT500EE)
R724	1-216-845-11	METAL CHIP	100K	5%	1/10W (GT50W/GT500)			< SWITCH >			
R725	1-216-845-11	METAL CHIP	100K	5%	1/10W	S600	1-786-458-11	SWITCH, PUSH (1 KEY) (NOSE DET)			
R726	1-216-845-11	METAL CHIP	100K	5%	1/10W	S700	1-692-431-21	SWITCH, TACTILE (RESET)			
R727	1-216-845-11	METAL CHIP	100K	5%	1/10W	S710	1-571-478-11	SWITCH, SLIDE (FREQUENCY SELECT) (GT550)			
R728	1-216-833-11	METAL CHIP	10K	5%	1/10W			< TRANSFORMER >			
R729	1-216-845-11	METAL CHIP	100K	5%	1/10W	T620	1-443-879-11	TRANSFORMER, DC-DC CONVERTER			
R730	1-216-845-11	METAL CHIP	100K	5%	1/10W			< THERMISTOR (POSITIVE) >			
R731	1-216-845-11	METAL CHIP	100K	5%	1/10W	TH450	1-801-792-21	THERMISTOR, POSITIVE			
R732	1-216-809-11	METAL CHIP	100	5%	1/10W			< TUNER UNIT >			
R733	1-216-845-11	METAL CHIP	100K	5%	1/10W	TU300	A-3220-961-B	TUNER UNIT (TUX-032)			
R734	1-216-809-11	METAL CHIP	100	5%	1/10W			< VIBRATOR >			
R735	1-216-845-11	METAL CHIP	100K	5%	1/10W	X350	1-813-173-11	VIBRATOR, CRYSTAL (8.664MHz) (AEP,UK)			
R736	1-216-809-11	METAL CHIP	100	5%	1/10W	X710	1-813-524-21	VIBRATOR, CERAMIC (18.432MHz)			
R737	1-216-845-11	METAL CHIP	100K	5%	1/10W	X711	1-813-202-11	VIBRATOR, CRYSTAL (32.768kHz)			
R738	1-216-845-11	METAL CHIP	100K	5%	1/10W			*****			
R742	1-216-845-11	METAL CHIP	100K	5%	1/10W						
R743	1-216-809-11	METAL CHIP	100	5%	1/10W						
R745	1-216-845-11	METAL CHIP	100K	5%	1/10W						
R746	1-216-841-11	METAL CHIP	47K	5%	1/10W						
R747	1-216-841-11	METAL CHIP	47K	5%	1/10W						
R748	1-216-845-11	METAL CHIP	100K	5%	1/10W						

CDX-GT50W/GT500/GT500EE/GT550

SENSOR **SERVO**

Ref. No.	Part No.	Description	Remark
		SENSOR BOARD *****	
		< SWITCH >	
SW2	1-529-566-61	SWITCH, PUSH (1 KEY) (SELF)	
SW3	1-529-566-61	SWITCH, PUSH (1 KEY) (DISC IN)	

	A-1132-412-A	SERVO BOARD, COMPLETE *****	
		< CAPACITOR >	
C7	1-125-777-11	CERAMIC CHIP 0.1uF 10%	10V
C10	1-126-208-21	ELECT CHIP 47uF 20%	4V
C11	1-125-777-11	CERAMIC CHIP 0.1uF 10%	10V
C12	1-125-777-11	CERAMIC CHIP 0.1uF 10%	10V
C13	1-100-567-81	CERAMIC CHIP 0.01uF 10%	25V
C14	1-104-609-11	ELECT CHIP 100uF 20%	4V
C15	1-125-777-11	CERAMIC CHIP 0.1uF 10%	10V
C16	1-162-964-11	CERAMIC CHIP 0.001uF 10%	50V
C17	1-125-777-11	CERAMIC CHIP 0.1uF 10%	10V
C18	1-125-777-11	CERAMIC CHIP 0.1uF 10%	10V
C19	1-125-777-11	CERAMIC CHIP 0.1uF 10%	10V
C20	1-164-677-11	CERAMIC CHIP 0.033uF 10%	16V
C22	1-164-677-11	CERAMIC CHIP 0.033uF 10%	16V
C23	1-125-777-11	CERAMIC CHIP 0.1uF 10%	10V
C24	1-125-777-11	CERAMIC CHIP 0.1uF 10%	10V
C25	1-125-777-11	CERAMIC CHIP 0.1uF 10%	10V
C26	1-162-966-11	CERAMIC CHIP 0.0022uF 10%	50V
C29	1-162-968-11	CERAMIC CHIP 0.0047uF 10%	50V
C30	1-162-968-11	CERAMIC CHIP 0.0047uF 10%	50V
C31	1-125-777-11	CERAMIC CHIP 0.1uF 10%	10V
C32	1-125-777-11	CERAMIC CHIP 0.1uF 10%	10V
C33	1-125-777-11	CERAMIC CHIP 0.1uF 10%	10V
C36	1-125-777-11	CERAMIC CHIP 0.1uF 10%	10V
C39	1-126-208-21	ELECT CHIP 47uF 20%	4V
C40	1-126-395-11	ELECT CHIP 22uF 20%	16V
C41	1-125-777-11	CERAMIC CHIP 0.1uF 10%	10V
C42	1-125-777-11	CERAMIC CHIP 0.1uF 10%	10V
C43	1-100-567-81	CERAMIC CHIP 0.01uF 10%	25V
C44	1-125-777-11	CERAMIC CHIP 0.1uF 10%	10V
C45	1-125-777-11	CERAMIC CHIP 0.1uF 10%	10V
C46	1-162-923-11	CERAMIC CHIP 47PF 5%	50V
C47	1-164-245-11	CERAMIC CHIP 0.015uF 10%	25V
C48	1-100-567-81	CERAMIC CHIP 0.01uF 10%	25V
C49	1-125-777-11	CERAMIC CHIP 0.1uF 10%	10V
C50	1-100-567-81	CERAMIC CHIP 0.01uF 10%	25V
C51	1-125-777-11	CERAMIC CHIP 0.1uF 10%	10V
C52	1-125-777-11	CERAMIC CHIP 0.1uF 10%	10V
C53	1-125-777-11	CERAMIC CHIP 0.1uF 10%	10V
C54	1-100-567-81	CERAMIC CHIP 0.01uF 10%	25V
C55	1-125-777-11	CERAMIC CHIP 0.1uF 10%	10V
C56	1-164-245-11	CERAMIC CHIP 0.015uF 10%	25V
C58	1-125-777-11	CERAMIC CHIP 0.1uF 10%	10V
C60	1-162-964-11	CERAMIC CHIP 0.001uF 10%	50V
C62	1-125-777-11	CERAMIC CHIP 0.1uF 10%	10V
C66	1-100-567-81	CERAMIC CHIP 0.01uF 10%	25V
C67	1-100-567-81	CERAMIC CHIP 0.01uF 10%	25V

Ref. No.	Part No.	Description	Remark
C68	1-100-567-81	CERAMIC CHIP 0.01uF 10%	25V
C69	1-100-567-81	CERAMIC CHIP 0.01uF 10%	25V
C70	1-125-777-11	CERAMIC CHIP 0.1uF 10%	10V
C71	1-125-777-11	CERAMIC CHIP 0.1uF 10%	10V
C72	1-125-777-11	CERAMIC CHIP 0.1uF 10%	10V
C80	1-125-837-11	CERAMIC CHIP 1uF 10%	6.3V
C132	1-125-837-11	CERAMIC CHIP 1uF 10%	6.3V
C133	1-125-837-11	CERAMIC CHIP 1uF 10%	6.3V
		< CONNECTOR >	
CN1	1-691-380-61	CONNECTOR, FFC/FPC (ZIF) 16P	
CN2	1-817-275-21	CONNECTOR, BOARD TO BOARD 28P	
		< JUMPER RESISTOR >	
FB2	1-216-864-11	SHORT CHIP 0	
FB3	1-216-864-11	SHORT CHIP 0	
FB4	1-216-864-11	SHORT CHIP 0	
		< IC >	
IC1	6-707-327-01	IC BA5968FP-E2	
IC2	6-708-729-01	IC TC94A70FG-002	
IC3	6-806-019-02	IC MB90486BPFV-G-177E1	
IC6	6-708-728-01	IC BH15LB1WG	
		< TRANSISTOR >	
Q2	6-551-120-01	TRANSISTOR 2SA2119K	
Q3	8-729-928-90	TRANSISTOR DTC114EE	
Q21	8-729-904-87	TRANSISTOR 2SB1197K-R	
		< RESISTOR >	
R1	1-218-965-11	RES-CHIP 10K 5%	1/16W
R2	1-218-977-11	RES-CHIP 100K 5%	1/16W
R5	1-218-969-11	RES-CHIP 22K 5%	1/16W
R6	1-218-969-11	RES-CHIP 22K 5%	1/16W
R7	1-218-990-81	SHORT CHIP 0	
R8	1-218-965-11	RES-CHIP 10K 5%	1/16W
R9	1-218-965-11	RES-CHIP 10K 5%	1/16W
R10	1-218-990-81	SHORT CHIP 0	
R11	1-218-941-81	RES-CHIP 100 5%	1/16W
R12	1-218-969-11	RES-CHIP 22K 5%	1/16W
R13	1-218-969-11	RES-CHIP 22K 5%	1/16W
R14	1-218-929-11	RES-CHIP 10 5%	1/16W
R15	1-218-929-11	RES-CHIP 10 5%	1/16W
R16	1-218-953-11	RES-CHIP 1K 5%	1/16W
R17	1-218-990-81	SHORT CHIP 0	
R18	1-218-941-81	RES-CHIP 100 5%	1/16W
R19	1-218-935-11	RES-CHIP 33 5%	1/16W
R20	1-162-961-11	CERAMIC CHIP 330PF 10%	50V
R21	1-218-941-81	RES-CHIP 100 5%	1/16W
R22	1-218-977-11	RES-CHIP 100K 5%	1/16W
R23	1-218-977-11	RES-CHIP 100K 5%	1/16W
R24	1-218-977-11	RES-CHIP 100K 5%	1/16W
R25	1-218-977-11	RES-CHIP 100K 5%	1/16W
R26	1-218-977-11	RES-CHIP 100K 5%	1/16W
R27	1-218-977-11	RES-CHIP 100K 5%	1/16W
R28	1-218-945-11	RES-CHIP 220 5%	1/16W
R29	1-218-989-11	RES-CHIP 1M 5%	1/16W
R30	1-218-989-11	RES-CHIP 1M 5%	1/16W

Ref. No.	Part No.	Description	Remark	Ref. No.	Part No.	Description	Remark
R31	1-218-989-11	RES-CHIP	1M 5%	1/16W		< VIBRATOR >	
R32	1-218-947-11	RES-CHIP	330 5%	1/16W			
R33	1-218-990-81	SHORT CHIP	0		X1	1-813-678-11	OSCILLATOR, CERAMIC (CHIP TYPE) (12MHZ)
R34	1-216-864-11	SHORT CHIP	0		X2	1-795-561-21	VIBRATOR, CERAMIC (16.9344MHZ)
R35	1-162-961-11	CERAMIC CHIP	330PF 10%	50V	*****		
R36	1-218-947-11	RES-CHIP	330 5%	1/16W	A-1156-589-A	SUB BOARD, COMPLETE (GT500/GT550)	
R37	1-218-947-11	RES-CHIP	330 5%	1/16W	A-1158-907-A	SUB BOARD, COMPLETE (GT50W/GT500EE)	
R38	1-218-941-81	RES-CHIP	100 5%	1/16W	*****		
R39	1-218-941-81	RES-CHIP	100 5%	1/16W	1-831-502-11	CABLE, FLEXIBLE FLAT (22 CORE) (FFC801)	
R40	1-218-941-81	RES-CHIP	100 5%	1/16W	< CONNECTOR >		
R41	1-218-941-81	RES-CHIP	100 5%	1/16W	CN801	1-818-142-11	SOCKET, CONNECTOR 20P
R42	1-218-977-11	RES-CHIP	100K 5%	1/16W	< DIODE >		
R43	1-218-961-11	RES-CHIP	4.7K 5%	1/16W	LED802	6-500-450-01	LED CL-195SR-CD-T (▲) (GT500/GT550)
R44	1-218-977-11	RES-CHIP	100K 5%	1/16W	LED802	6-500-510-01	LED CL-195PG-CD-T (▲) (GT50W/GT500EE)
R52	1-218-962-11	RES-CHIP	5.6K 5%	1/16W	LED803	6-500-450-01	LED CL-195SR-CD-T (CD SLOT) (GT500/GT550)
R53	1-218-979-11	RES-CHIP	150K 5%	1/16W	LED803	6-500-510-01	LED CL-195PG-CD-T (CD SLOT) (GT50W/GT500EE)
R54	1-218-990-81	SHORT CHIP	0		< RESISTOR >		
R55	1-218-973-11	RES-CHIP	47K 5%	1/16W	R802	1-216-813-11	METAL CHIP 220 5% 1/10W
R57	1-218-967-11	RES-CHIP	15K 5%	1/16W	R803	1-216-817-11	METAL CHIP 470 5% 1/10W
R58	1-218-969-11	RES-CHIP	22K 5%	1/16W	< SWITCH >		
R60	1-218-941-81	RES-CHIP	100 5%	1/16W	S801	1-786-653-21	SWITCH, TACTILE (▲)
R61	1-218-941-81	RES-CHIP	100 5%	1/16W	*****		
R62	1-218-941-81	RES-CHIP	100 5%	1/16W	MISCELLANEOUS		
R63	1-218-977-11	RES-CHIP	100K 5%	1/16W	*****		
R64	1-218-977-11	RES-CHIP	100K 5%	1/16W	13	1-776-207-72	CORD (WITH CONNECTOR) (POWER) (EXCEPT AEP,UK,EE)
R65	1-218-977-11	RES-CHIP	100K 5%	1/16W	13	1-776-527-71	CORD (WITH CONNECTOR) (ISO) (POWER) (AEP,UK,EE)
R66	1-218-941-81	RES-CHIP	100 5%	1/16W	14	1-790-355-54	CORD (WITH CONNECTOR) (RCA) (SUB OUT (MONO))
R67	1-218-941-81	RES-CHIP	100 5%	1/16W	▲ 153	8-820-207-12	OPTICAL PICK-UP (KSS1000E/K1RP)
R68	1-218-941-81	RES-CHIP	100 5%	1/16W	154	A-1075-645-A	CHASSIS (OP) SUB ASSY (including M901)
R69	1-218-941-81	RES-CHIP	100 5%	1/16W	F901	1-532-877-11	FUSE (BLADE TYPE) (AUTO FUSE) 10A
R70	1-218-965-11	RES-CHIP	10K 5%	1/16W	M902	A-3372-447-A	MOTOR ASSY, SL (SLED)
R71	1-218-973-11	RES-CHIP	47K 5%	1/16W	M903	A-1166-300-A	MOTOR ASSY (B), LE (LOADING)
R72	1-218-973-11	RES-CHIP	47K 5%	1/16W	SW4	1-571-099-11	SWITCH (1 KEY) (LIMIT)
R73	1-218-973-11	RES-CHIP	47K 5%	1/16W	*****		
R74	1-218-941-81	RES-CHIP	100 5%	1/16W	< SWITCH >		
R75	1-218-941-81	RES-CHIP	100 5%	1/16W	SW1	1-529-565-61	SWITCH, PUSH (1 KEY) (DOWN)
R77	1-218-973-11	RES-CHIP	47K 5%	1/16W			
R78	1-218-941-81	RES-CHIP	100 5%	1/16W			
R79	1-218-941-81	RES-CHIP	100 5%	1/16W			
R80	1-218-941-81	RES-CHIP	100 5%	1/16W			
R81	1-218-941-81	RES-CHIP	100 5%	1/16W			
R82	1-218-941-81	RES-CHIP	100 5%	1/16W			
R83	1-218-977-11	RES-CHIP	100K 5%	1/16W			
R84	1-218-941-81	RES-CHIP	100 5%	1/16W			
R85	1-218-977-11	RES-CHIP	100K 5%	1/16W			
R86	1-218-941-81	RES-CHIP	100 5%	1/16W			
R87	1-218-977-11	RES-CHIP	100K 5%	1/16W			
R96	1-218-941-81	RES-CHIP	100 5%	1/16W			
R97	1-220-200-81	RES-CHIP	30K 5%	1/16W			
R98	1-218-971-11	RES-CHIP	33K 5%	1/16W			
R132	1-218-969-11	RES-CHIP	22K 5%	1/16W			
R133	1-218-953-11	RES-CHIP	1K 5%	1/16W			
R141	1-216-864-11	SHORT CHIP	0				
R144	1-216-864-11	SHORT CHIP	0				
R147	1-216-864-11	SHORT CHIP	0				

CDX-GT50W/GT500/GT500EE/GT550

Ref. No.	Part No.	Description	Remark
		ACCESSORIES	

	1-479-077-13	REMOTE COMMANDER (RM-X151)	
	2-548-729-01	LID, BATTERY CASE (for RM-X151)	
	2-663-186-11	MANUAL, INSTRUCTION (ENGLISH,FRENCH) (GT500:US,CND)	
	2-663-186-21	MANUAL, INSTRUCTION (ENGLISH,SPANISH) (GT50W)	
	2-663-186-31	MANUAL, INSTRUCTION (ENGLISH,GERMAN, FRENCH,ITALIAN,DUTCH) (AEP,UK)	
	2-663-186-41	MANUAL, INSTRUCTION (ENGLISH,RUSSIAN) (GT500EE)	
	2-663-186-51	MANUAL, INSTRUCTION (ENGLISH,SPANISH, SIMPLIFIED CHINESE) (GT550)	
	2-663-188-11	MANUAL, INSTRUCTION, INSTALL (ENGLISH, FRENCH) (GT500:US,CND)	
	2-663-188-21	MANUAL, INSTRUCTION, INSTALL (ENGLISH, SPANISH) (GT50W)	
	2-663-188-31	MANUAL, INSTRUCTION, INSTALL (ENGLISH, GERMAN,FRENCH,ITALIAN,DUTCH) (AEP,UK)	
	2-663-188-41	MANUAL, INSTRUCTION, INSTALL (ENGLISH, RUSSIAN) (GT500EE)	
	2-663-188-51	MANUAL, INSTRUCTION, INSTALL (ENGLISH, SPANISH,SIMPLIFIED CHINESE) (GT550)	
	X-2055-358-1	CASE ASSY (for FRONT PANEL) (EXCEPT US)	

Ref. No.	Part No.	Description	Remark
		PARTS FOR INSTALLATION AND CONNECTIONS	

301	X-3382-647-1	FRAME ASSY, FITTING	
302	2-638-099-01	COLLAR	
303	3-246-471-01	KEY (FRAME)	
304	X-3381-154-1	SCREW ASSY (BS4), FITTING (GT500EE/GT550)	
305	X-3382-926-1	SCREW ASSY (BS), FITTING (AEP,UK)	
306	3-349-410-11	BUSHING (EXCEPT US,CND)	
307	3-934-325-01	SCREW, +K (5X8) TAPPING (EXCEPT AEP,UK)	
308	1-465-459-31	ADAPTOR, ANTENNA (AEP,UK,EE)	
309	1-776-207-72	CORD (WITH CONNECTOR) (POWER) (EXCEPT AEP,UK,EE)	
310	1-776-527-71	CORD (WITH CONNECTOR) (ISO) (POWER) (AEP,UK,EE)	

