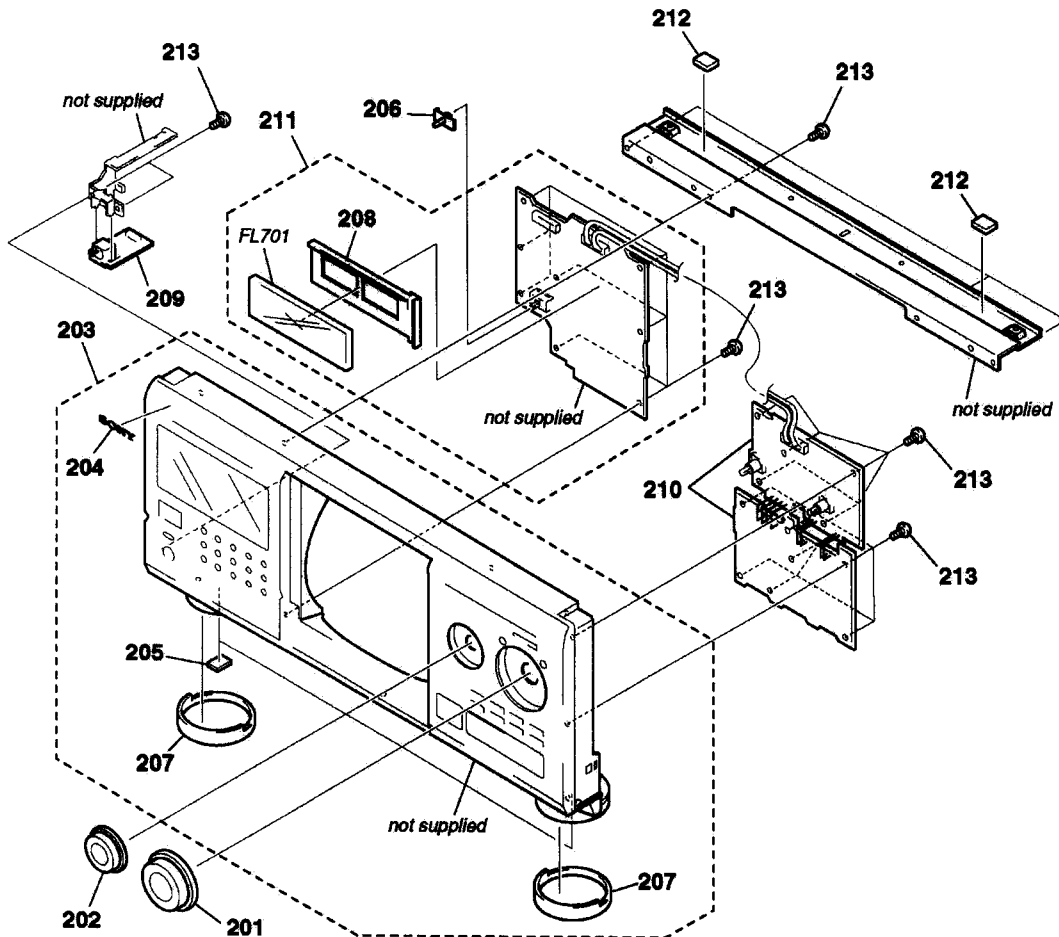


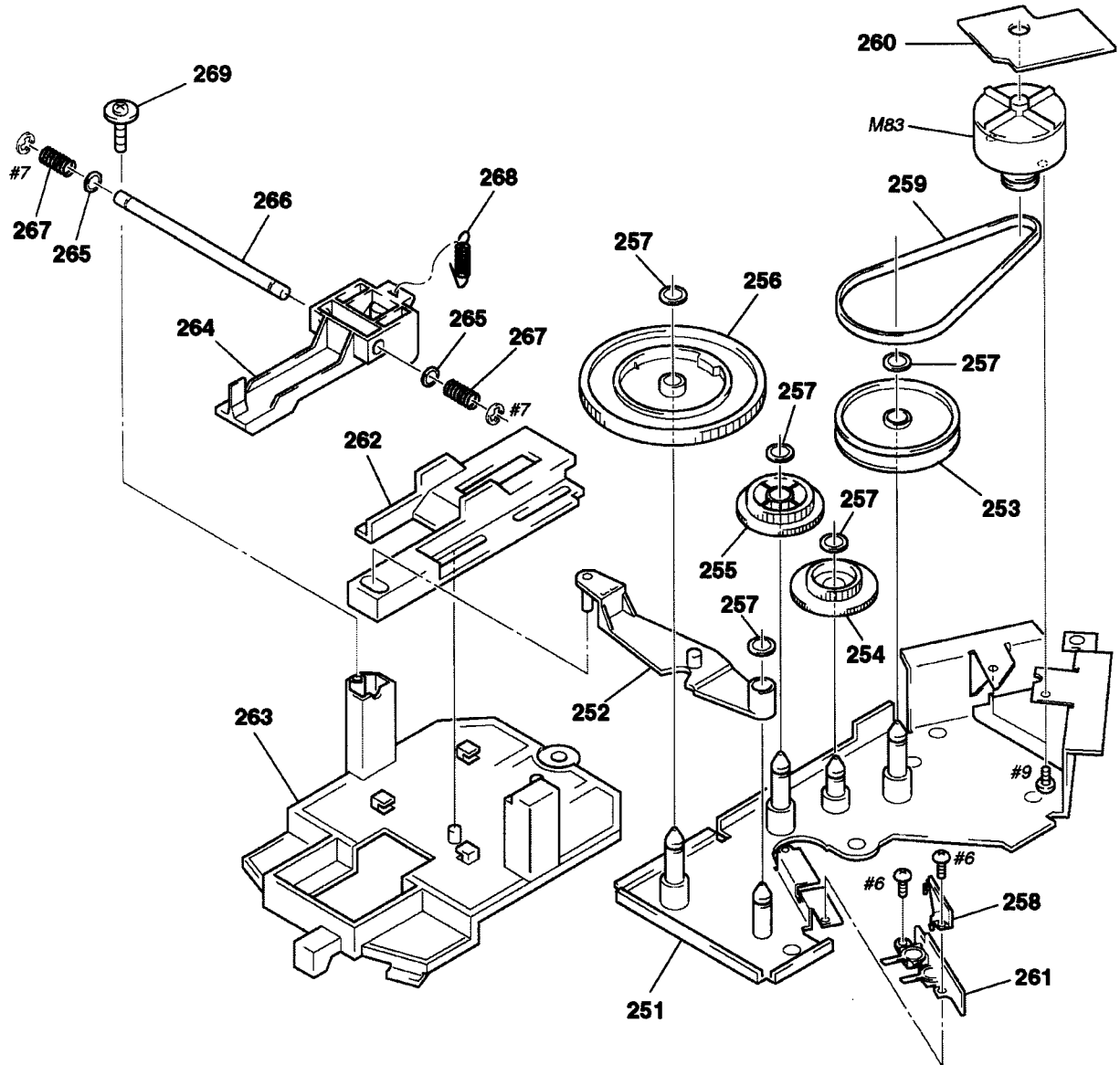
# CDP-CX355

## 8-5. Front Panel Section



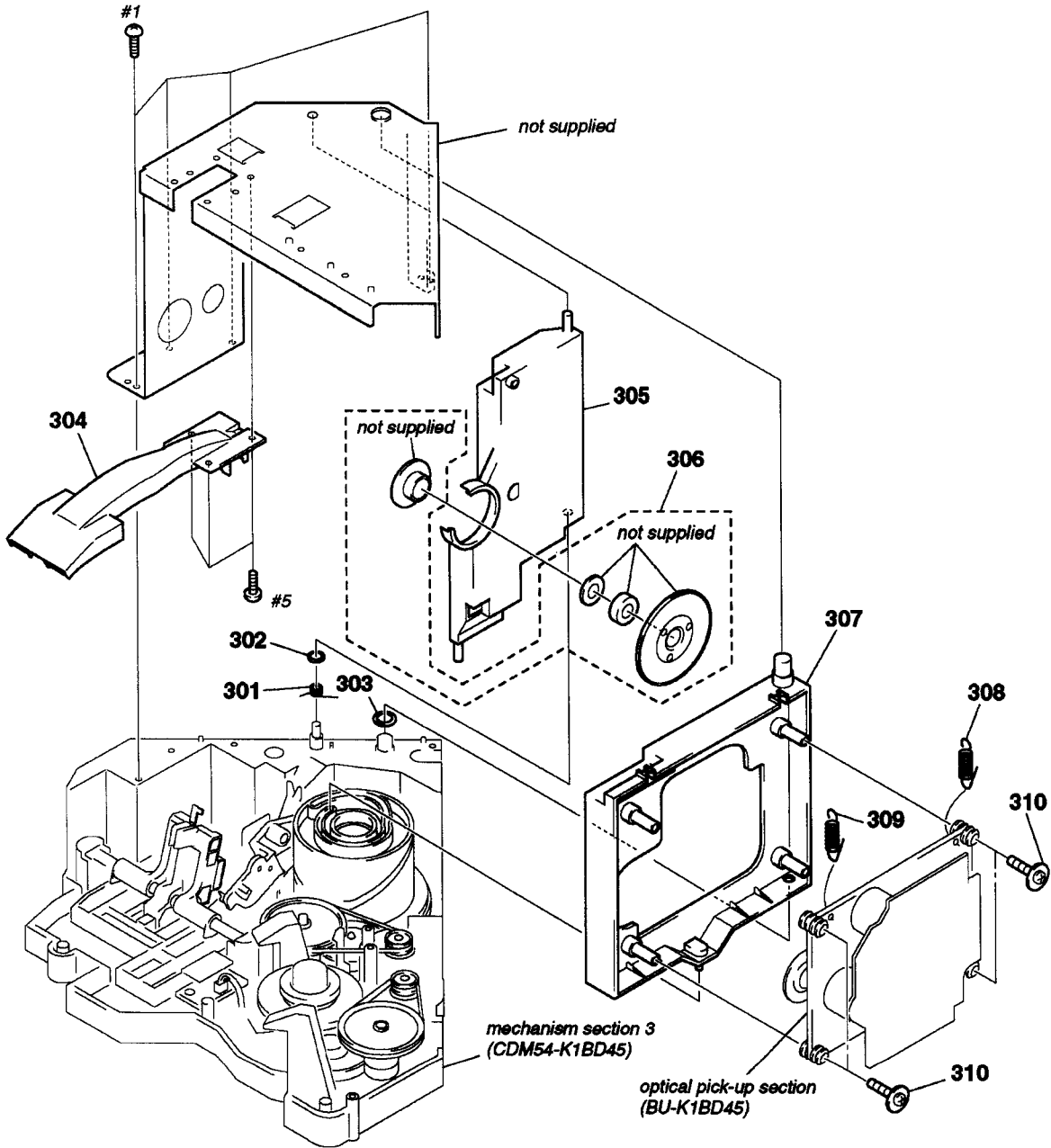
Ref. No.	Part No.	Description	Remarks	Ref. No.	Part No.	Description	Remarks
201	4-215-818-01	KNOB (DISC)		208	4-982-811-11	HOLDER (FL)	
202	4-215-819-01	KNOB (AMS)		209	1-672-632-12	KEYBOARD BOARD	
203	X-4954-417-1	PANEL ASSY, FRONT (US, CND)		210	A-4727-728-A	JOG BOARD, COMPLETE	
203	X-4954-470-1	PANEL ASSY, FRONT (AUS, UK, AEP, E, SP)		211	A-4727-729-A	DISP BOARD, COMPLETE	
204	4-996-698-61	EMBLEM, SONY		212	4-985-553-21	CUSHION	
205	4-977-358-01	CUSHION		213	4-951-620-01	SCREW (2.6X8), +BVTP	
206	3-917-216-21	KNOB (TIMER)		FL701	1-517-861-11	INDICATOR TUBE, FLUORESCENT	
207	4-219-323-01	RING (DIA. 50-CX300)					

**8-6. Mechanism Section 1 (CDM54-K1BD45)  
(Pop-up Assy, Base (Door. Gear) Assy)**



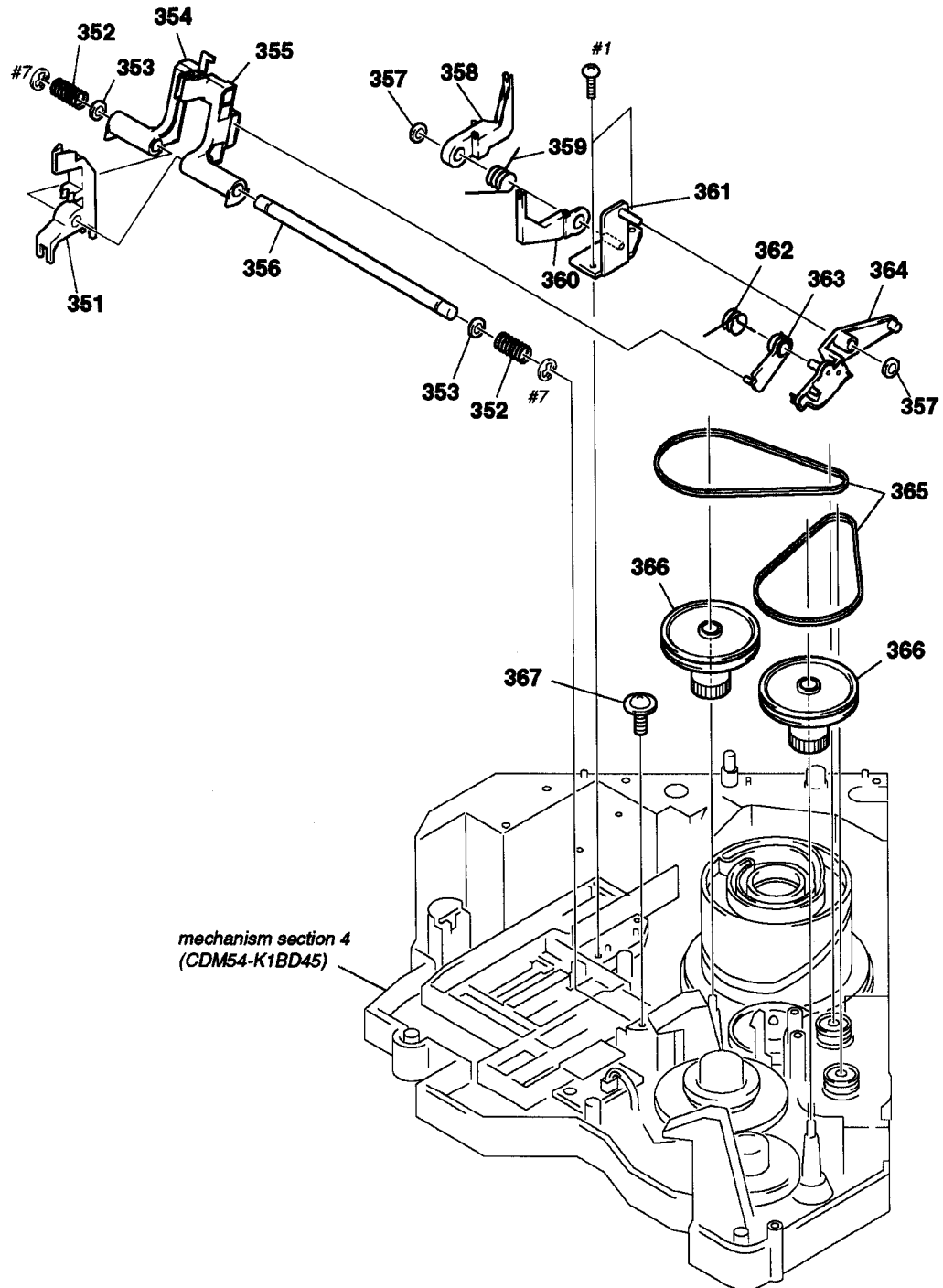
Ref. No.	Part No.	Description	Remarks	Ref. No.	Part No.	Description	Remarks
251	X-4950-888-1	BRACKET (DOOR.GEAR) ASSY		263	4-216-100-01	HOLDER (POP-UP)	
252	4-215-959-01	LEVER (CAM.PU)		264	4-216-098-01	LEVER (POP-UP)	
253	4-215-955-01	GEAR (DOOR.PULLEY)		265	3-701-441-21	WASHER	
254	4-215-956-01	GEAR (DOOR.CENTER)		266	4-216-102-01	SHAFT (POP-UP FULCRUM)	
255	4-215-957-01	GEAR (DOOR.DRIVE)		267	4-216-103-01	SPRING (POP-UP), COMPRESSION	
256	4-215-958-01	GEAR (DOOR.CAM)		268	4-216-104-01	SPRING (POP-UP), TENSION	
257	3-325-697-21	WASHER		269	4-998-716-01	SCREW, BU FITTING	
258	4-219-324-01	HOLDER (L-SW)		M83	X-4950-062-1	MOTOR ASSY (DOOR)	
259	4-219-326-01	BELT (DIA. 42X1.2)		#6	7-685-533-19	SCREW +BTP 2.6X6 TYPE2 N-S	
260	1-672-637-11	D.MOTOR BOARD		#7	7-624-106-04	STOP RING 3.0, TYPE-E	
261	1-672-634-11	D.SW BOARD		#9	7-621-775-00	SCREW +B 2.6X3	
262	4-216-099-01	SLIDER (POP-UP)					

8-7. Mechanism Section 2 (CDM54-K1BD45)



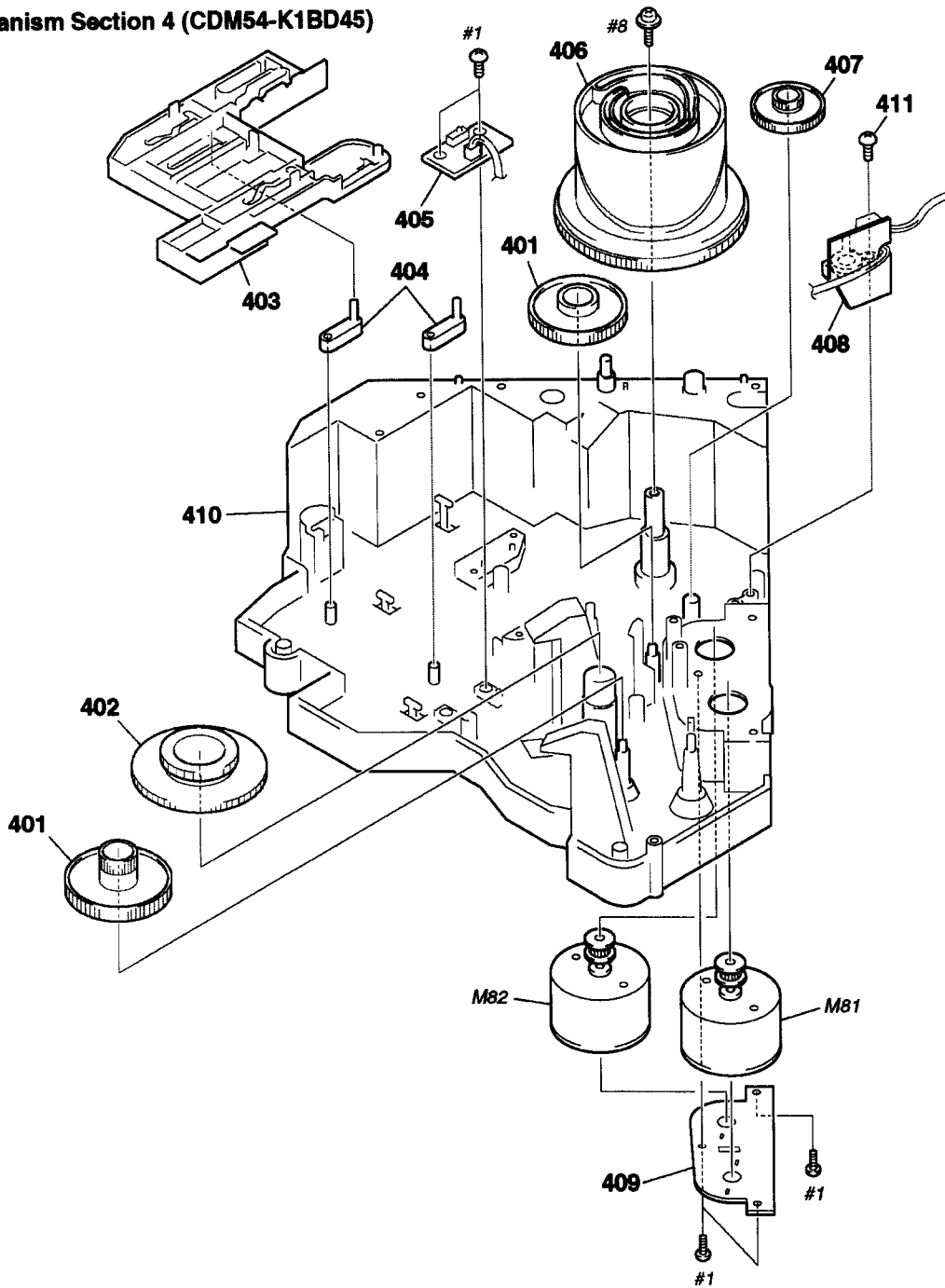
Ref. No.	Part No.	Description	Remarks	Ref. No.	Part No.	Description	Remarks
301	4-216-081-01	SPRING (MG), TORSION		307	X-4950-901-4	HOLDER ASSY, BU	
302	3-701-441-21	WASHER		308	4-216-086-01	SPRING (F-2), TENSION	
303	3-701-446-21	WASHER, 8		309	4-216-085-01	SPRING (F-1), TENSION	
304	4-216-088-02	GUIDE (DISC)		310	4-957-577-01	SCREW PTP WH (2.6X8) (DIA. 10)	
305	4-216-082-01	HOLDER (MAGNET), TORSION		#1	7-685-646-79	SCREW +BVTP 3X8 TYPE2 N-S	
306	A-4672-768-A	MAGNET ASSY		#5	7-685-645-79	SCREW +BVTP 3X6 TYPE2 N-S	

8-8. Mechanism Section 3 (CDM54-K1BD45)



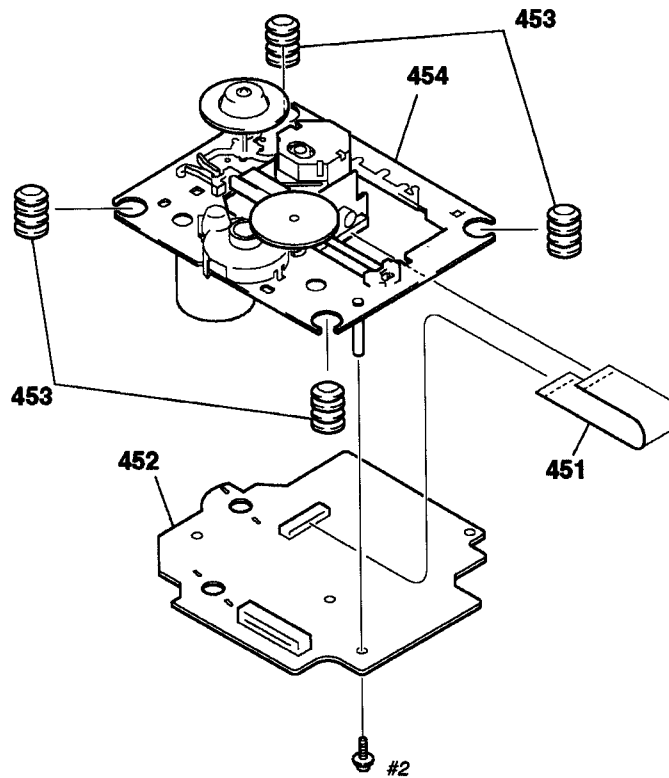
Ref. No.	Part No.	Description	Remarks	Ref. No.	Part No.	Description	Remarks
351	4-216-070-01	LEVER (LOCK)		361	X-4950-900-1	BRACKET (LEVER) ASSY	
352	4-216-067-01	SPRING (CLAMP), COMPRESSION		362	4-216-080-01	SPRING (LIMITER), TORSION	
353	3-701-441-21	WASHER		363	4-216-079-01	LIMITER (LEVER)	
354	X-4950-885-1	HOLDER (DISC L) ASSY		364	4-216-078-01	LEVER (LOADING)	
355	X-4950-886-1	HOLDER (DISC R) ASSY		365	4-216-061-01	BELT	
356	4-216-066-01	SHAFT (CLAMP)		366	4-216-060-01	PULLEY (1)	
357	3-325-697-21	WASHER		367	4-998-716-01	SCREW, BU FITTING	
358	4-216-076-01	HOLDER (R)		#1	7-685-646-79	SCREW +BVTP 3X8 TYPE2 N-S	
359	4-216-077-01	SPRING (HOLDER FR), TORSION		#7	7-624-106-04	STOP RING 3.0, TYPE -E	
360	4-216-075-01	HOLDER (F)					

8-9. Mechanism Section 4 (CDM54-K1BD45)



Ref. No.	Part No.	Description	Remarks	Ref. No.	Part No.	Description	Remarks
401	4-216-058-01	GEAR (CENTER)		409	1-672-636-11	L.T.MOTOR BOARD	
402	4-216-059-01	GEAR (TABLE)		410	4-216-054-01	BASE (CDM)	
403	4-216-063-02	SLIDER		411	4-951-620-01	SCREW (2.6X8), +BVTP	
404	4-216-062-01	LEVER (FULCRUM)		M81	A-4672-675-A	MOTOR ASSY (TABLE)	
405	1-672-643-11	L.SW(B) BOARD		M82	A-4672-675-A	MOTOR ASSY (LOADING)	
406	A-4672-676-A	CAM ASSY		#1	7-685-646-79	SCREW +BVTP 3X8 TYPE2 N-S	
407	4-216-057-01	GEAR (CENTER 2)		#8	7-682-948-01	SCREW +PSW 3X8	
408	1-672-642-11	L.SW(A) BOARD					

8-10. Optical Pick-up Section (BU-K1BD45)



Ref. No.	Part No.	Description	Remarks
451	1-792-024-11	WIRE (FLAT TYPE) (16 CORE)	
452	A-4727-737-A	BD BOARD, COMPLETE	
* 453	4-992-054-01	RUBBER, VIBRATION PROOF	
△ 454	A-3328-818-A	OPTICAL PICK-UP KSM-213BFN/C2NP	
#2	7-621-772-21	SCREW +B 2X5	

<p>The components identified by mark △ or dotted line with mark △ are critical for safety. Replace only with part number specified.</p>	<p>Les composants identifiés par une marque △ sont critiques pour la sécurité. Ne les remplacer que par une pièce portant le numéro spécifié.</p>
---	---