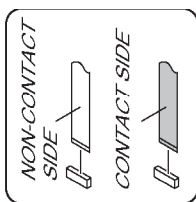
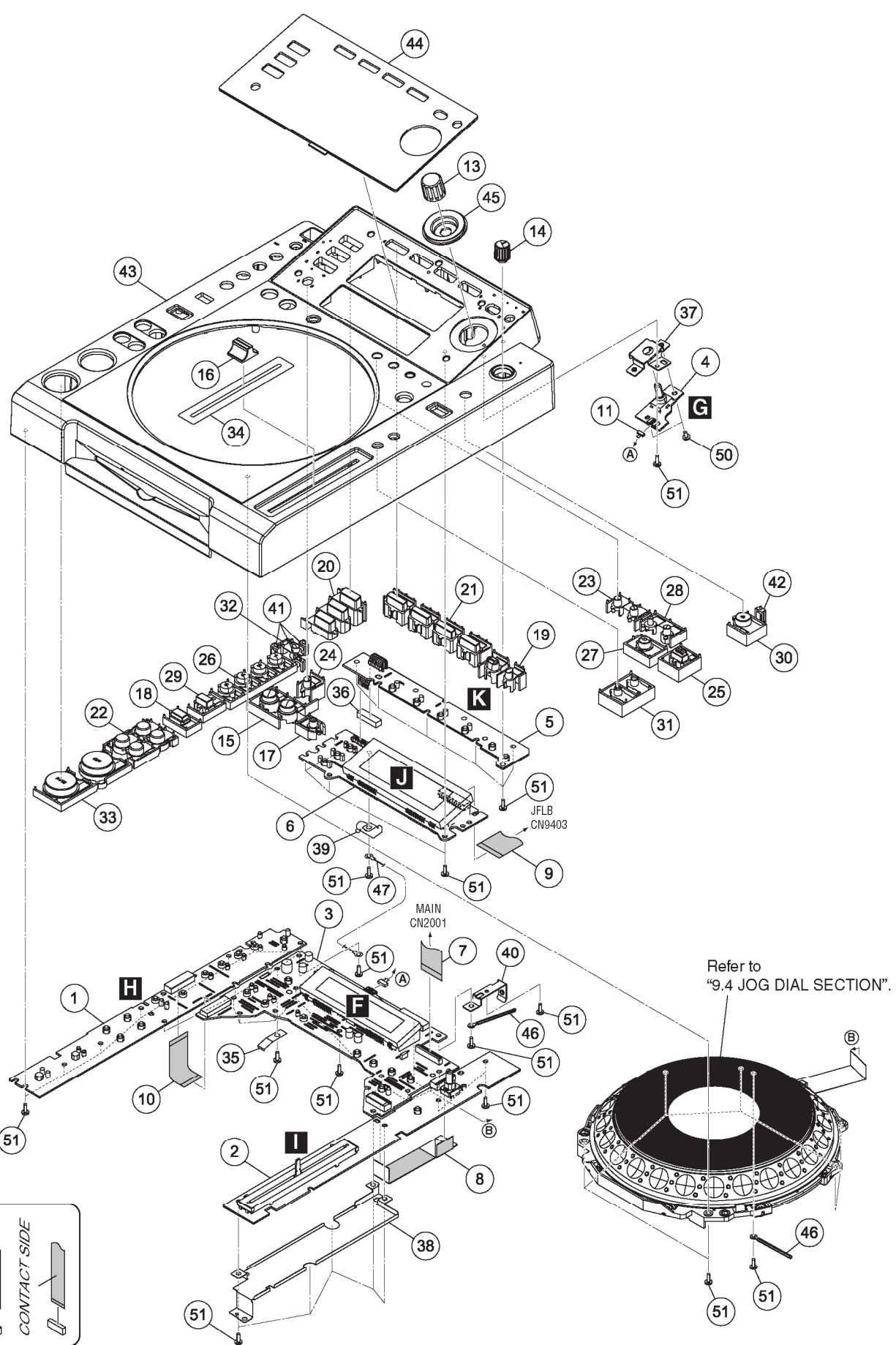


9.3 CONTROL PANEL SECTION



9.4 JOG DIAL SECTION

A

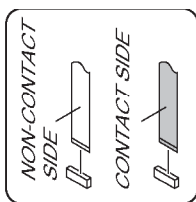
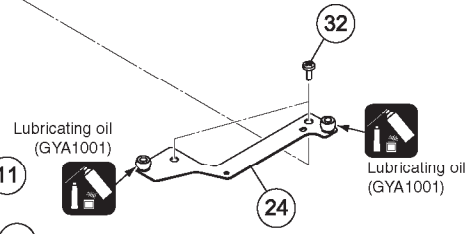
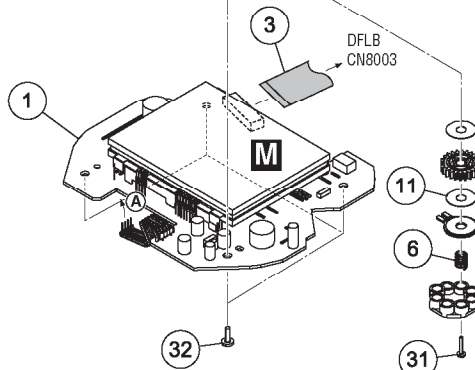
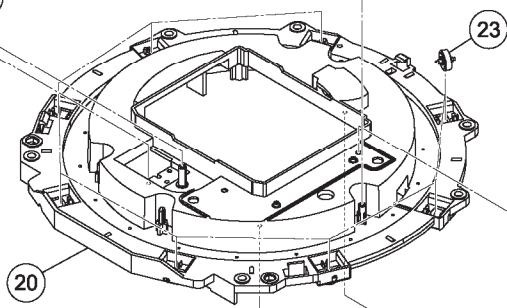
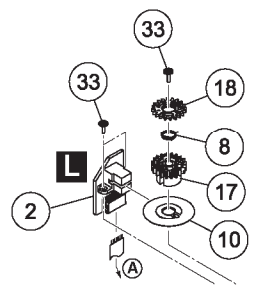
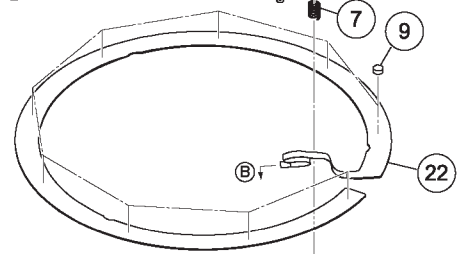
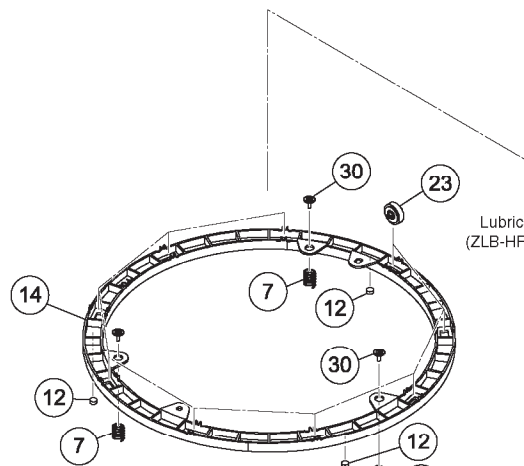
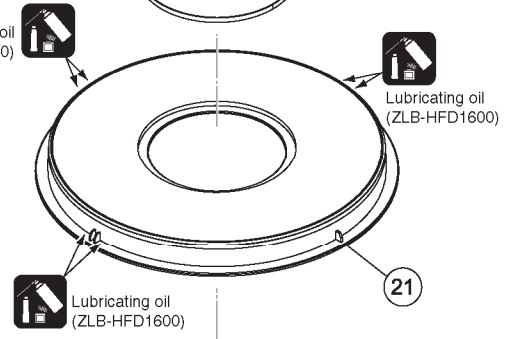
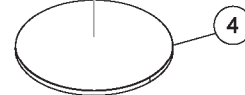
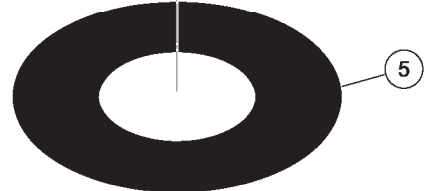
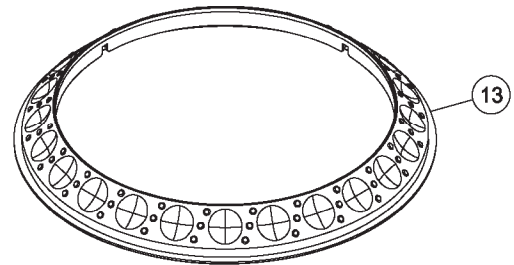
B

C

D

E

F



9.5 SLOTIN MECHA SECTION

1 2 3 4

A

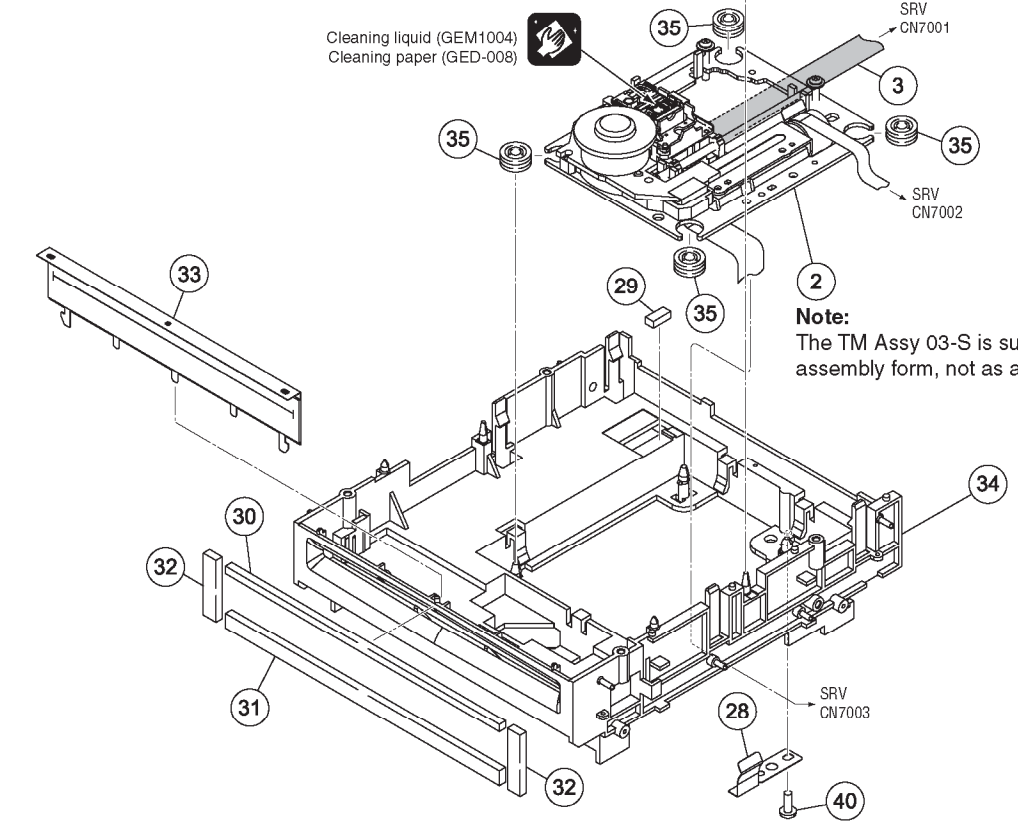
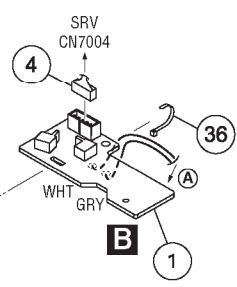
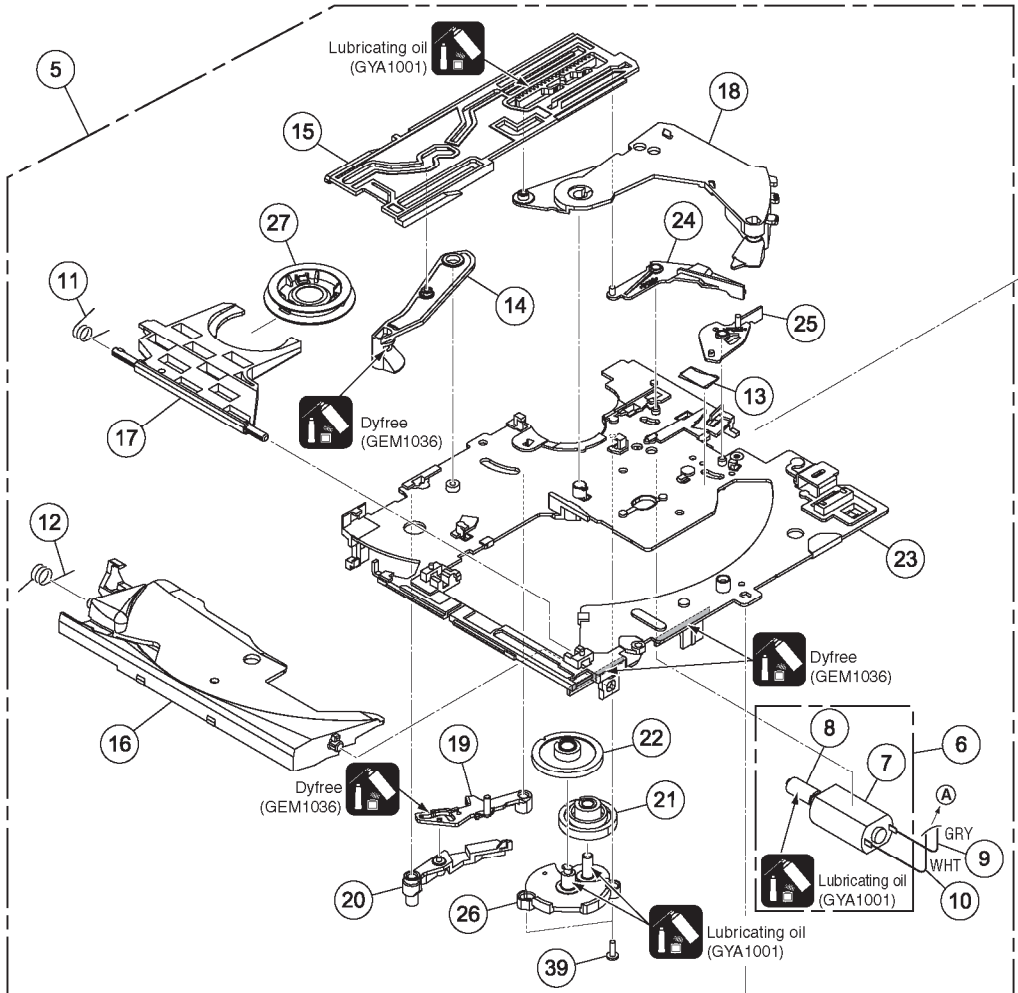
B

C

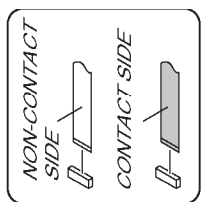
D

E

F



Note:
The TM Assy 03-S is supplied only in assembly form, not as a single parts.



1 2 3 4