

---

## **5. Exploded View and Parts List**

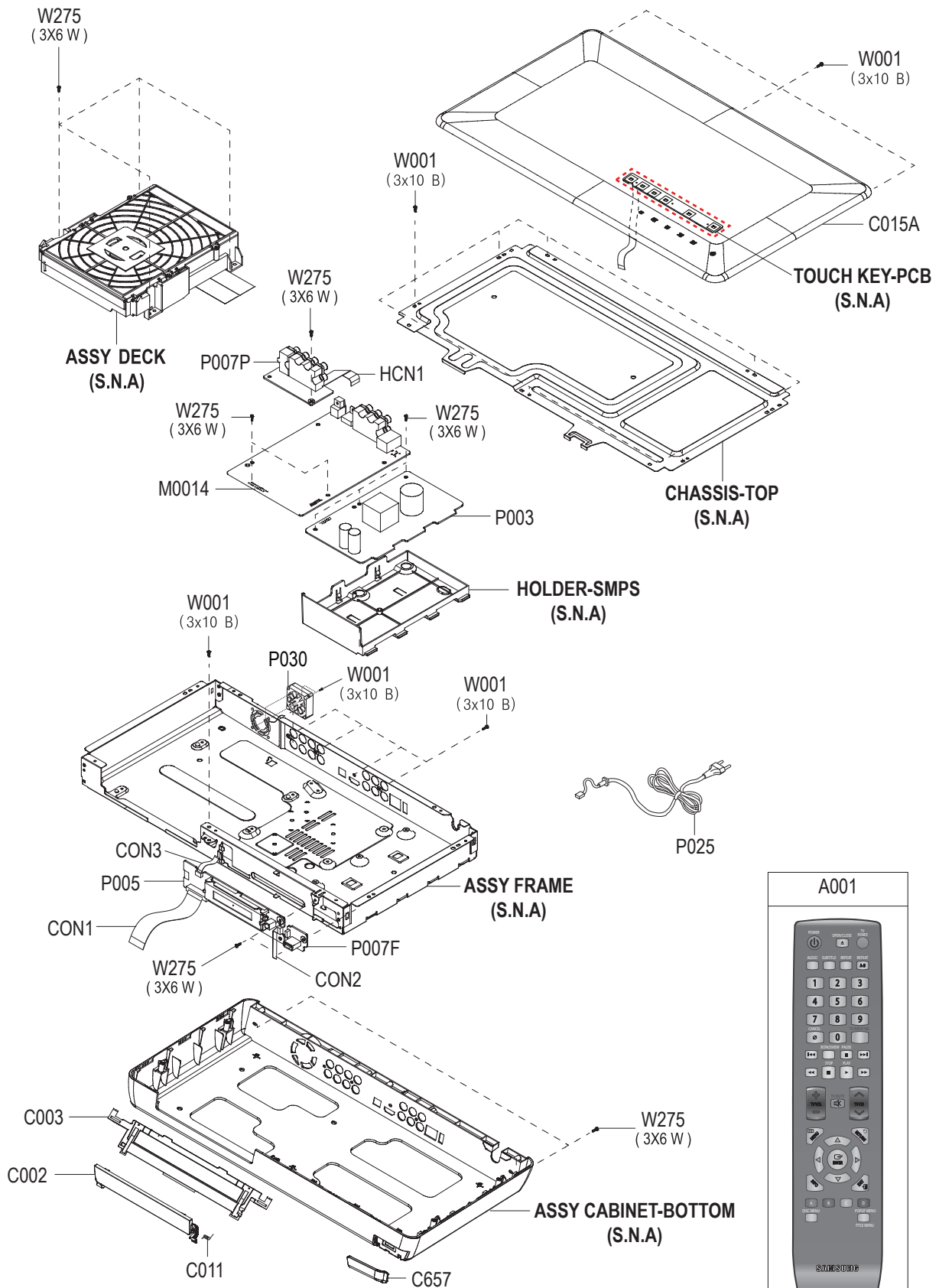
---

**5-1 Cabinet Assembly----- 5-2**

**5-2 Deck Parts----- 5-4**

**5-3 Electrical Parts List----- 5-6**

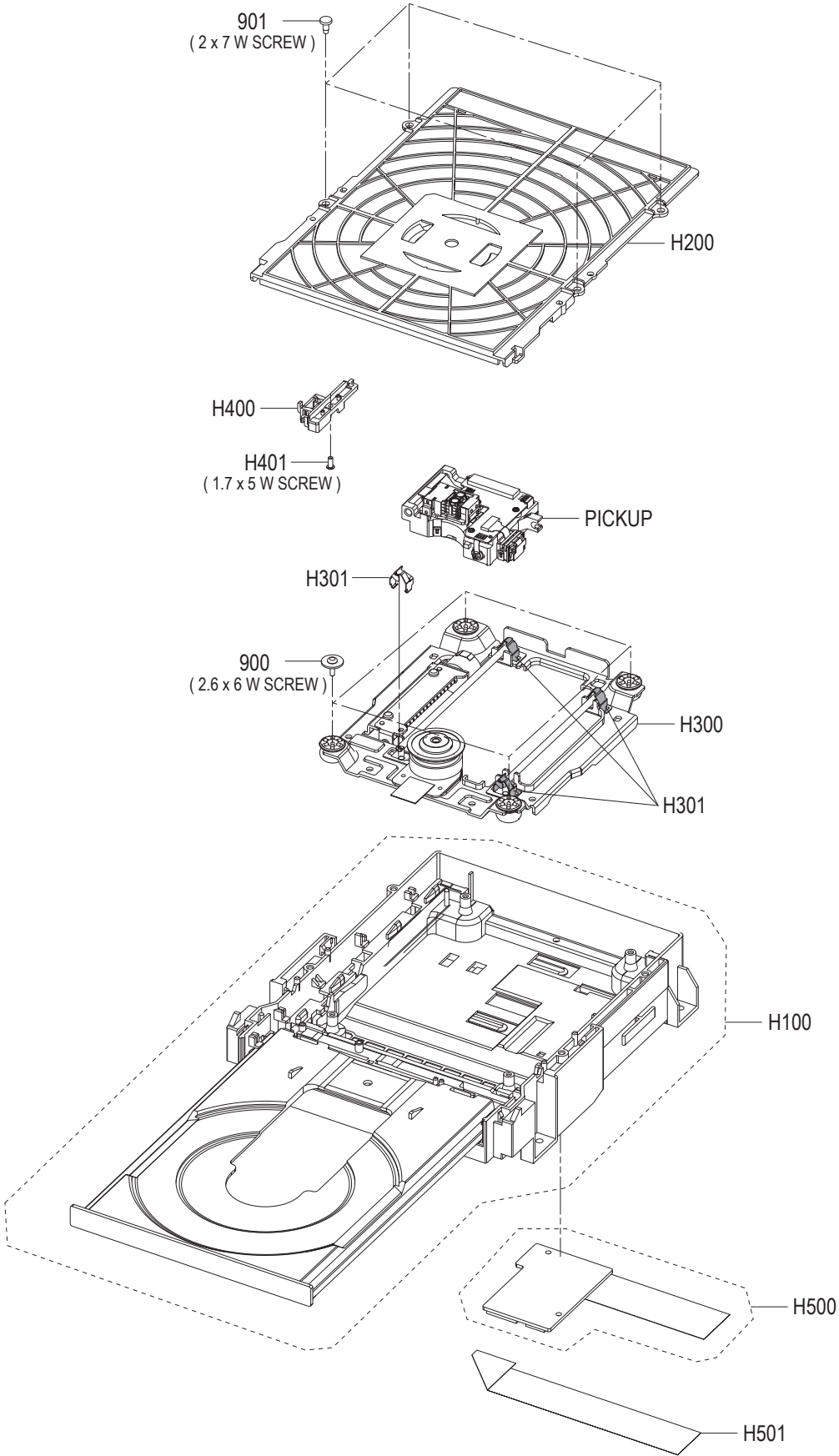
## 5-1 Cabinet Assembly



● S.N.A.: Service Not Available

Loc. No	Parts No.	Description ; Specification	Q ty	SNA	Remark
A001	AK59-00104K	REMOCON-ASSY;BD-P1600/XAA,SAMSUNG,	1	SA	
C002	AK64-02404A	DOOR-TRAY;BD-P3600,ABS+PMMA,2.2,145	1	SA	
C003	AK63-00567A	COVER-TRAY;BD-P3600,ABS 94HB,2.5,17	1	SA	
C011	AK61-00137A	SPRING ETC-DOOR;DVD-R4000,COIL,PI0.	1	SA	
C015A	AK97-02480B	ASSY CABINET-TOP;BD PLAYER,BD-P3600	1	SA	
C657	AK64-02405A	DOOR-JACK;BD-P3600,ABS+PMMA,2.5,50,	1	SA	
CON1	3708-001762	CONNECTOR-FPC/FFC/PIC;22P,1mm,ANGLE	1	SA	
CON2	3708-002161	CONNECTOR-FPC/FFC/PIC;5P,1mm,ANGLE,	1	SA	
CON3	3708-002161	CONNECTOR-FPC/FFC/PIC;5P,1mm,ANGLE,	1	SA	
HCN1	3701-001313	CONNECTOR-HDMI;19P,2R,PLUG,ANGLE,AU	1	SA	
M0014	AK92-01886A	ASSY PCB MAIN;-;BD-P3600/XEU,MAIN P	1	SA	
P003	AK92-01887B	ASSY PCB SMPS;-;BD-P3600/XEF,SMPS P	1	SA	
P005	AK92-01868A	ASSY PCB FRONT;-;BD-P3600,FRONT PC	1	SA	
P007F	AK92-01866A	ASSY PCB SUB-USB;-;BD-P3600,USB SUB	1	SA	
P007P	AK92-01867A	ASSY PCB SUB-7.1CH;-;BD-P3600,7.1CH	1	SA	
P025	AC39-10019A	CBF-POWER CORD;KKP-419C,H03VVH2-F,V	1	SA	
P030	3103-001207	FAN-DC;12VDC,40mA,3000rpm,0.065m^3/	1	SA	
W001	6003-000275	SCREW-TAPTITE;BH,+,-,B,M3,L10,ZPC(	17	SA	
W275	6003-001561	SCREW-TAPTITE;BH,+,-,B,M3,L6,ZPC(W	12	SA	

# 5-2 Deck Parts



Loc. No	Parts No.	Description ; Specification	Q ty	SNA	Remark
900	6003-001449	SCREW-TAPTYPE;BH,+,B,M2.6,L6,NI PLT	4	SA	
901	6003-001199	SCREW-TAPTYPE;PWH,+,-,B,M2,L7,ZPC(W	4	SA	
H100	AK97-02460A	ASSY FRAME-MAIN;ASSY,BD-P1600,-,-	1	SA	
H200	AK96-01014A	ASSY COVER BD-P1600,-,-,-	1	SA	
H300	AK96-01024A	ASSY TRAVERSE BD-P5,-,-,-	1	SA	
H301	AK61-00736A	BRACKET-SHAFT PU DP-R3.5,SUS T1.0,-	4	SA	
H400	AK96-01025A	ASSY-HINGE PU BD-P5,-,-,-	1	SA	
H401	6002-001086	SCREW-TAPPING PH,+,B,M1.7,L5.0,ZP	1	SA	
H500	AK92-01849A	ASSY PCB-RELAY BD-P5A,BD-P1600,-,-	1	SA	
H501	AK41-00890A	FFC-PU CABLE BD-P1600,B TYPE,0.5 PI	1	SA	
PICKUP	AK97-02420A	ASSY PICK UP SOH-BP4 VE,BD-PLAYER,-	1	SA	

### 5-3 Electrical Parts List

Loc.No	Parts No.	Description : Specification	Q'ty	S.N.A	Remark	Loc.No	Parts No.	Description : Specification	Q'ty	S.N.A	Remark
<b>M0014</b>	<b>AK92-01866A</b>	<b>ASSY PCB MAIN-,BD-P3600/XEU.MAIN P</b>	<b>1</b>	<b>SA</b>		C114	2203-006361	C-CER,CHIP;10000nF,10%,10V,X5R,TP,2	1	SA	
AC1	2203-006048	C-CER,CHIP;100nF,10%,10V,X7R,1005	1	SA		C115	2203-006048	C-CER,CHIP;100nF,10%,10V,X7R,1005	1	SA	
AC10	2203-006048	C-CER,CHIP;100nF,10%,10V,X7R,1005	1	SA		C116	2203-006048	C-CER,CHIP;100nF,10%,10V,X7R,1005	1	SA	
AC11	2203-006324	C-CER,CHIP;2200nF,10%,10V,X5R,1608	1	SNA		C117	2203-006048	C-CER,CHIP;100nF,10%,10V,X7R,1005	1	SA	
AC12	2203-006324	C-CER,CHIP;2200nF,10%,10V,X5R,1608	1	SNA		C118	2203-006048	C-CER,CHIP;100nF,10%,10V,X7R,1005	1	SA	
AC13	2203-006324	C-CER,CHIP;2200nF,10%,10V,X5R,1608	1	SNA		C119	2203-006048	C-CER,CHIP;100nF,10%,10V,X7R,1005	1	SA	
AC14	2203-006324	C-CER,CHIP;2200nF,10%,10V,X5R,1608	1	SNA		C12	2203-006048	C-CER,CHIP;100nF,10%,10V,X7R,1005	1	SA	
AC15	2203-006361	C-CER,CHIP;10000nF,10%,10V,X5R,TP,2	1	SC		C120	2203-006048	C-CER,CHIP;100nF,10%,10V,X7R,1005	1	SA	
AC16	2203-006361	C-CER,CHIP;10000nF,10%,10V,X5R,TP,2	1	SC		C121	2203-006048	C-CER,CHIP;100nF,10%,10V,X7R,1005	1	SA	
AC2	2203-006048	C-CER,CHIP;100nF,10%,10V,X7R,1005	1	SA		C122	2203-006361	C-CER,CHIP;10000nF,10%,10V,X5R,TP,2	1	SC	
AC3	2203-006048	C-CER,CHIP;100nF,10%,10V,X7R,1005	1	SA		C123	2203-006361	C-CER,CHIP;10000nF,10%,10V,X5R,TP,2	1	SC	
AC4	2203-006048	C-CER,CHIP;100nF,10%,10V,X7R,1005	1	SA		C124	2203-006048	C-CER,CHIP;100nF,10%,10V,X7R,1005	1	SA	
AC5	2203-006048	C-CER,CHIP;100nF,10%,10V,X7R,1005	1	SA		C125	2203-006048	C-CER,CHIP;100nF,10%,10V,X7R,1005	1	SA	
AC6	2203-006474	C-CER,CHIP;22000nF,20%,6.3V,X5R,201	1	SA		C126	2203-006048	C-CER,CHIP;100nF,10%,10V,X7R,1005	1	SA	
AC7	2203-001397	C-CER,CHIP;2.2nF,5%,50V,NP0,1608	1	SA		C127	2203-006048	C-CER,CHIP;100nF,10%,10V,X7R,1005	1	SA	
AC8	2203-001397	C-CER,CHIP;2.2nF,5%,50V,NP0,1608	1	SA		C128	2203-006048	C-CER,CHIP;100nF,10%,10V,X7R,1005	1	SA	
AC9	2203-006562	C-CER,CHIP;1000nF,10%,10V,X5R,TP,10	1	SNA		C129	2203-006048	C-CER,CHIP;100nF,10%,10V,X7R,1005	1	SA	
AIC1	1002-001581	IC-D/A CONVERTER;CS4353-CNZR,24,QFN	1	SNA		C13	2203-006361	C-CER,CHIP;10000nF,10%,10V,X5R,TP,2	1	SC	
AL1	2703-000166	INDUCTOR-SMD;2.7uH,5%,3225	1	SA		C130	2203-006361	C-CER,CHIP;10000nF,10%,10V,X5R,TP,2	1	SC	
AL2	2703-000166	INDUCTOR-SMD;2.7uH,5%,3225	1	SA		C131	2203-006048	C-CER,CHIP;100nF,10%,10V,X7R,1005	1	SA	
AQ1	0504-000156	TR-DIGITAL;KSR2103,PNP,200MW,22K/22	1	SA		C132	2203-000812	C-CER,CHIP;.033nF,5%,50V,C0G,-,1005	1	SNA	
AQ2	0504-000128	TR-DIGITAL;-NPN,200MW,22K/22K,SOT-	1	SA		C133	2203-000812	C-CER,CHIP;.033nF,5%,50V,C0G,-,1005	1	SNA	
AQ3	0501-000341	TR-SMALL SIGNAL;KSC1623-L,NPN,200mW	1	SNA		C134	2203-006361	C-CER,CHIP;10000nF,10%,10V,X5R,TP,2	1	SC	
AQ4	0501-000341	TR-SMALL SIGNAL;KSC1623-L,NPN,200mW	1	SNA		C136	2203-000254	C-CER,CHIP;10nF,10%,16V,X7R,1005	1	SA	
AR10	2007-007441	R-CHIP;562ohm,1%,1/10W,TP,1608	1	SNA		C137	2203-006048	C-CER,CHIP;100nF,10%,10V,X7R,1005	1	SA	
AR15	2007-001292	R-CHIP;33ohm,5%,1/16W,TP,1005	1	SNA		C138	2203-000254	C-CER,CHIP;10nF,10%,16V,X7R,1005	1	SA	
AR16	2007-001292	R-CHIP;33ohm,5%,1/16W,TP,1005	1	SNA		C139	2203-006048	C-CER,CHIP;100nF,10%,10V,X7R,1005	1	SA	
AR17	2007-001292	R-CHIP;33ohm,5%,1/16W,TP,1005	1	SNA		C14	2203-006048	C-CER,CHIP;100nF,10%,10V,X7R,1005	1	SA	
AR18	2007-001292	R-CHIP;33ohm,5%,1/16W,TP,1005	1	SNA		C140	2203-000254	C-CER,CHIP;10nF,10%,16V,X7R,1005	1	SA	
AR19	2007-001292	R-CHIP;33ohm,5%,1/16W,TP,1005	1	SNA		C141	2203-000254	C-CER,CHIP;10nF,10%,16V,X7R,1005	1	SA	
AR2	2007-001292	R-CHIP;33ohm,5%,1/16W,TP,1005	1	SNA		C142	2203-006474	C-CER,CHIP;22000nF,20%,6.3V,X5R,201	1	SA	
AR20	2007-001292	R-CHIP;33ohm,5%,1/16W,TP,1005	1	SNA		C143	2203-000254	C-CER,CHIP;10nF,10%,16V,X7R,1005	1	SA	
AR21	2007-001292	R-CHIP;33ohm,5%,1/16W,TP,1005	1	SNA		C151	2203-006048	C-CER,CHIP;100nF,10%,10V,X7R,1005	1	SA	
AR22	2007-000148	R-CHIP;10Kohm,5%,1/16W,TP,1005	1	SA		C17	2203-000254	C-CER,CHIP;10nF,10%,16V,X7R,1005	1	SA	
AR23	2007-000148	R-CHIP;10Kohm,5%,1/16W,TP,1005	1	SA		C18	2203-000254	C-CER,CHIP;10nF,10%,16V,X7R,1005	1	SA	
AR3	2007-000143	R-CHIP;4.7Kohm,5%,1/16W,TP,1005	1	SNA		C19	2203-006361	C-CER,CHIP;10000nF,10%,10V,X5R,TP,2	1	SC	
AR4	2007-001292	R-CHIP;33ohm,5%,1/16W,TP,1005	1	SNA		C2	2203-006048	C-CER,CHIP;100nF,10%,10V,X7R,1005	1	SA	
AR5	2007-001292	R-CHIP;33ohm,5%,1/16W,TP,1005	1	SNA		C20	2203-006048	C-CER,CHIP;100nF,10%,10V,X7R,1005	1	SA	
AR6	2007-001292	R-CHIP;33ohm,5%,1/16W,TP,1005	1	SNA		C21	2203-006048	C-CER,CHIP;100nF,10%,10V,X7R,1005	1	SA	
AR7	2007-000143	R-CHIP;4.7Kohm,5%,1/16W,TP,1005	1	SNA		C22	2203-006048	C-CER,CHIP;100nF,10%,10V,X7R,1005	1	SA	
AR8	2007-000143	R-CHIP;4.7Kohm,5%,1/16W,TP,1005	1	SNA		C23	2203-006048	C-CER,CHIP;100nF,10%,10V,X7R,1005	1	SA	
AR9	2007-007441	R-CHIP;562ohm,1%,1/10W,TP,1608	1	SNA		C24	2203-006048	C-CER,CHIP;100nF,10%,10V,X7R,1005	1	SA	
AVJACK13722-002696	JACK-PIN;6P,Silver/Nickel,RED,WHI,B	1	SA		C25	2203-006048	C-CER,CHIP;100nF,10%,10V,X7R,1005	1	SA		
BZ1	3002-001134	BUZZER-PIEZO;85dB,12V,2K-4KHz,BK	1	SNA		C26	2203-006048	C-CER,CHIP;100nF,10%,10V,X7R,1005	1	SA	
BZR1	2007-000148	R-CHIP;10Kohm,5%,1/16W,TP,1005	1	SA		C27	2203-006048	C-CER,CHIP;100nF,10%,10V,X7R,1005	1	SA	
C10	2203-006048	C-CER,CHIP;100nF,10%,10V,X7R,1005	1	SA		C28	2203-006048	C-CER,CHIP;100nF,10%,10V,X7R,1005	1	SA	
C100	2203-006048	C-CER,CHIP;100nF,10%,10V,X7R,1005	1	SA		C29	2203-006048	C-CER,CHIP;100nF,10%,10V,X7R,1005	1	SA	
C101	2203-006048	C-CER,CHIP;100nF,10%,10V,X7R,1005	1	SA		C30	2203-006048	C-CER,CHIP;100nF,10%,10V,X7R,1005	1	SA	
C102	2203-006361	C-CER,CHIP;10000nF,10%,10V,X5R,TP,2	1	SC		C307	2203-006474	C-CER,CHIP;22000nF,20%,6.3V,X5R,201	1	SA	
C103	2203-006361	C-CER,CHIP;10000nF,10%,10V,X5R,TP,2	1	SC		C31	2203-006048	C-CER,CHIP;100nF,10%,10V,X7R,1005	1	SA	
C104	2203-006048	C-CER,CHIP;100nF,10%,10V,X7R,1005	1	SA		C36	2203-006474	C-CER,CHIP;22000nF,20%,6.3V,X5R,201	1	SA	
C105	2203-006048	C-CER,CHIP;100nF,10%,10V,X7R,1005	1	SA		C42	2203-006361	C-CER,CHIP;10000nF,10%,10V,X5R,TP,2	1	SC	
C106	2203-006048	C-CER,CHIP;100nF,10%,10V,X7R,1005	1	SA		C43	2203-006361	C-CER,CHIP;10000nF,10%,10V,X5R,TP,2	1	SC	
C107	2203-006048	C-CER,CHIP;100nF,10%,10V,X7R,1005	1	SA		C44	2203-006361	C-CER,CHIP;10000nF,10%,10V,X5R,TP,2	1	SC	
C108	2203-006048	C-CER,CHIP;100nF,10%,10V,X7R,1005	1	SA		C46	2203-006048	C-CER,CHIP;100nF,10%,10V,X7R,1005	1	SA	
C109	2203-006048	C-CER,CHIP;100nF,10%,10V,X7R,1005	1	SA		C47	2203-006048	C-CER,CHIP;100nF,10%,10V,X7R,1005	1	SA	
C110	2203-006361	C-CER,CHIP;10000nF,10%,10V,X5R,TP,2	1	SC		C48	2203-006048	C-CER,CHIP;100nF,10%,10V,X7R,1005	1	SA	
C111	2203-006048	C-CER,CHIP;100nF,10%,10V,X7R,1005	1	SA		C49	2203-006048	C-CER,CHIP;100nF,10%,10V,X7R,1005	1	SA	
C112	2203-006048	C-CER,CHIP;100nF,10%,10V,X7R,1005	1	SA		C5	2203-006361	C-CER,CHIP;10000nF,10%,10V,X5R,TP,2	1	SC	
C113	2203-006361	C-CER,CHIP;10000nF,10%,10V,X5R,TP,2	1	SC		C50	2203-006048	C-CER,CHIP;100nF,10%,10V,X7R,1005	1	SA	

Loc.No	Parts No.	Description : Specification	Q'ty	S.N.A	Remark	Loc.No	Parts No.	Description : Specification	Q'ty	S.N.A	Remark
C51	2203-006048	C-CER,CHIP;100nF,10%,10V,X7R,1005	1	SA		FEC109	2203-006361	C-CER,CHIP;10000nF,10%,10V,X5R,TP,2	1	SC	
C52	2203-006048	C-CER,CHIP;100nF,10%,10V,X7R,1005	1	SA		FEC110	2203-006361	C-CER,CHIP;10000nF,10%,10V,X5R,TP,2	1	SC	
C53	2203-006361	C-CER,CHIP;10000nF,10%,10V,X5R,TP,2	1	SC		FEC111	2203-006048	C-CER,CHIP;100nF,10%,10V,X7R,1005	1	SA	
C54	2203-006361	C-CER,CHIP;10000nF,10%,10V,X5R,TP,2	1	SC		FEC112	2203-006048	C-CER,CHIP;100nF,10%,10V,X7R,1005	1	SA	
C55	2203-006361	C-CER,CHIP;10000nF,10%,10V,X5R,TP,2	1	SC		FEC113	2203-006361	C-CER,CHIP;10000nF,10%,10V,X5R,TP,2	1	SC	
C56	2203-006048	C-CER,CHIP;100nF,10%,10V,X7R,1005	1	SA		FEC114	2203-006361	C-CER,CHIP;10000nF,10%,10V,X5R,TP,2	1	SC	
C57	2203-006048	C-CER,CHIP;100nF,10%,10V,X7R,1005	1	SA		FEC115	2203-006048	C-CER,CHIP;100nF,10%,10V,X7R,1005	1	SA	
C58	2203-006048	C-CER,CHIP;100nF,10%,10V,X7R,1005	1	SA		FEC116	2203-006048	C-CER,CHIP;100nF,10%,10V,X7R,1005	1	SA	
C59	2203-006048	C-CER,CHIP;100nF,10%,10V,X7R,1005	1	SA		FEC117	2203-006361	C-CER,CHIP;10000nF,10%,10V,X5R,TP,2	1	SC	
C6	2203-006048	C-CER,CHIP;100nF,10%,10V,X7R,1005	1	SA		FEC118	2203-006361	C-CER,CHIP;10000nF,10%,10V,X5R,TP,2	1	SC	
C60	2203-006048	C-CER,CHIP;100nF,10%,10V,X7R,1005	1	SA		FEC119	2203-006048	C-CER,CHIP;100nF,10%,10V,X7R,1005	1	SA	
C61	2203-006048	C-CER,CHIP;100nF,10%,10V,X7R,1005	1	SA		FEC120	2203-006048	C-CER,CHIP;100nF,10%,10V,X7R,1005	1	SA	
C62	2203-006048	C-CER,CHIP;100nF,10%,10V,X7R,1005	1	SA		FEC121	2203-006048	C-CER,CHIP;100nF,10%,10V,X7R,1005	1	SA	
C63	2203-006048	C-CER,CHIP;100nF,10%,10V,X7R,1005	1	SA		FEC122	2203-006048	C-CER,CHIP;100nF,10%,10V,X7R,1005	1	SA	
C69	2203-006048	C-CER,CHIP;100nF,10%,10V,X7R,1005	1	SA		FEC123	2203-006048	C-CER,CHIP;100nF,10%,10V,X7R,1005	1	SA	
C70	2203-006048	C-CER,CHIP;100nF,10%,10V,X7R,1005	1	SA		FEC124	2203-00627	C-CER,CHIP;0.022nF,5%,50V,COG,1005	1	SNA	
C71	2203-006048	C-CER,CHIP;100nF,10%,10V,X7R,1005	1	SA		FEC125	2203-006048	C-CER,CHIP;100nF,10%,10V,X7R,1005	1	SA	
C72	2203-006048	C-CER,CHIP;100nF,10%,10V,X7R,1005	1	SA		FEC126	2203-006048	C-CER,CHIP;100nF,10%,10V,X7R,1005	1	SA	
C73	2203-006048	C-CER,CHIP;100nF,10%,10V,X7R,1005	1	SA		FEC127	2203-00627	C-CER,CHIP;0.022nF,5%,50V,COG,1005	1	SNA	
C74	2203-006048	C-CER,CHIP;100nF,10%,10V,X7R,1005	1	SA		FEC128	2203-006048	C-CER,CHIP;100nF,10%,10V,X7R,1005	1	SA	
C79	2203-006048	C-CER,CHIP;100nF,10%,10V,X7R,1005	1	SA		FEC129	2203-00254	C-CER,CHIP;10nF,10%,16V,X7R,1005	1	SA	
C8	2203-006048	C-CER,CHIP;100nF,10%,10V,X7R,1005	1	SA		FEC130	2203-00254	C-CER,CHIP;10nF,10%,16V,X7R,1005	1	SA	
C81	2203-006048	C-CER,CHIP;100nF,10%,10V,X7R,1005	1	SA		FEC131	2203-00254	C-CER,CHIP;10nF,10%,16V,X7R,1005	1	SA	
C82	2203-006361	C-CER,CHIP;10000nF,10%,10V,X5R,TP,2	1	SC		FEC132	2203-00254	C-CER,CHIP;10nF,10%,16V,X7R,1005	1	SA	
C84	2203-006361	C-CER,CHIP;10000nF,10%,10V,X5R,TP,2	1	SC		FEC133	2203-006048	C-CER,CHIP;100nF,10%,10V,X7R,1005	1	SA	
C85	2203-006048	C-CER,CHIP;100nF,10%,10V,X7R,1005	1	SA		FEC134	2203-006361	C-CER,CHIP;10000nF,10%,10V,X5R,TP,2	1	SC	
C86	2203-006048	C-CER,CHIP;100nF,10%,10V,X7R,1005	1	SA		FEC15	2203-006048	C-CER,CHIP;100nF,10%,10V,X7R,1005	1	SA	
C87	2203-006361	C-CER,CHIP;10000nF,10%,10V,X5R,TP,2	1	SC		FEC151	2203-00438	C-CER,CHIP;1nF,10%,50V,X7R,1005	1	SA	
C88	2203-006048	C-CER,CHIP;100nF,10%,10V,X7R,1005	1	SA		FEC152	2203-00438	C-CER,CHIP;1nF,10%,50V,X7R,1005	1	SA	
C89	2203-006361	C-CER,CHIP;10000nF,10%,10V,X5R,TP,2	1	SC		FEC153	2203-005249	C-CER,CHIP;100nF,10%,50V,X7R,TP,160	1	SNA	
C9	2203-00233	C-CER,CHIP;0.1nF,5%,50V,COG,1005	1	SA		FEC16	2203-006048	C-CER,CHIP;100nF,10%,10V,X7R,1005	1	SA	
C90	2203-006361	C-CER,CHIP;10000nF,10%,10V,X5R,TP,2	1	SC		FEC17	2203-00438	C-CER,CHIP;1nF,10%,50V,X7R,1005	1	SA	
C91	2203-006048	C-CER,CHIP;100nF,10%,10V,X7R,1005	1	SA		FEC19	2203-006047	C-CER,CHIP;33nF,10%,16V,X7R,1005	1	SA	
C92	2203-006048	C-CER,CHIP;100nF,10%,10V,X7R,1005	1	SA		FEC2	2203-006048	C-CER,CHIP;100nF,10%,10V,X7R,1005	1	SA	
C93	2203-006048	C-CER,CHIP;100nF,10%,10V,X7R,1005	1	SA		FEC20	2203-006047	C-CER,CHIP;33nF,10%,16V,X7R,1005	1	SA	
C94	2203-006048	C-CER,CHIP;100nF,10%,10V,X7R,1005	1	SA		FEC21	2203-00438	C-CER,CHIP;1nF,10%,50V,X7R,1005	1	SA	
C95	2203-006048	C-CER,CHIP;100nF,10%,10V,X7R,1005	1	SA		FEC22	2203-00438	C-CER,CHIP;1nF,10%,50V,X7R,1005	1	SA	
C99	2203-006048	C-CER,CHIP;100nF,10%,10V,X7R,1005	1	SA		FEC23	2203-006047	C-CER,CHIP;33nF,10%,16V,X7R,1005	1	SA	
CON12	3708-002603	CONNECTOR-FPC/FFC/PIC;22P,1mm,SMD-S	1	SNA		FEC24	2203-006047	C-CER,CHIP;33nF,10%,16V,X7R,1005	1	SA	
CON17	3708-001935	CONNECTOR-FPC/FFC/PIC;40P,0.5mm,SMD	1	SNA		FEC25	2203-006047	C-CER,CHIP;33nF,10%,16V,X7R,1005	1	SA	
CON18	3708-001837	CONNECTOR-FPC/FFC/PIC;15P,1mm,SMD-S	1	SNA		FEC26	2203-006047	C-CER,CHIP;33nF,10%,16V,X7R,1005	1	SA	
ECON1	3722-002549	JACK-MODULAR;12P/8C,N,ANGLE,N,AU,1P	1	SA		FEC29	2203-006048	C-CER,CHIP;100nF,10%,10V,X7R,1005	1	SA	
EL1	3301-000317	BEAD-SMD;120ohm,2012,TP,-	1	SA		FEC3	2203-006048	C-CER,CHIP;100nF,10%,10V,X7R,1005	1	SA	
FC10	2203-006048	C-CER,CHIP;100nF,10%,10V,X7R,1005	1	SA		FEC311	2203-002994	C-CER,CHIP;0.068nF,5%,50V,CH,BK,100	1	SNA	
FC13	2203-006048	C-CER,CHIP;100nF,10%,10V,X7R,1005	1	SA		FEC312	2203-005659	C-CER,CHIP;0.18nF,5%,50V,NPQ,1005	1	SNA	
FC16	2203-006048	C-CER,CHIP;100nF,10%,10V,X7R,1005	1	SA		FEC313	2203-002717	C-CER,CHIP;10nF,+80-20%,50V,Y5V,100	1	SNA	
FC2	2203-000254	C-CER,CHIP;10nF,10%,16V,X7R,1005	1	SA		FEC33	2203-006048	C-CER,CHIP;100nF,10%,10V,X7R,1005	1	SA	
FC5	2203-006048	C-CER,CHIP;100nF,10%,10V,X7R,1005	1	SA		FEC34	2203-006158	C-CER,CHIP;100nF,10%,16V,X7R,1005	1	SA	
FC6	2203-006048	C-CER,CHIP;100nF,10%,10V,X7R,1005	1	SA		FEC36	2203-006336	C-CER,CHIP;10000nF,10%,25V,X5R,3216	1	SA	
FC7	2203-006361	C-CER,CHIP;10000nF,10%,10V,X5R,TP,2	1	SC		FEC37	2203-006336	C-CER,CHIP;10000nF,10%,25V,X5R,3216	1	SA	
FC8	2203-006048	C-CER,CHIP;100nF,10%,10V,X7R,1005	1	SA		FEC375	2203-006158	C-CER,CHIP;100nF,10%,16V,X7R,1005	1	SA	
FC9	2203-006048	C-CER,CHIP;100nF,10%,10V,X7R,1005	1	SA		FEC4	2203-006048	C-CER,CHIP;100nF,10%,10V,X7R,1005	1	SA	
FCON1	3708-002603	CONNECTOR-FPC/FFC/PIC;22P,1mm,SMD-S	1	SNA		FEC400	2203-006048	C-CER,CHIP;100nF,10%,10V,X7R,1005	1	SA	
FD1	0401-001049	DIODE-SWITCHING;LS4148,75V,150mA,SO	1	SA		FEC41	2203-006336	C-CER,CHIP;10000nF,10%,25V,X5R,3216	1	SA	
FEC1	2203-006048	C-CER,CHIP;100nF,10%,10V,X7R,1005	1	SA		FEC42	2203-006048	C-CER,CHIP;100nF,10%,10V,X7R,1005	1	SA	
FEC100	2203-006048	C-CER,CHIP;100nF,10%,10V,X7R,1005	1	SA		FEC5	2203-006048	C-CER,CHIP;100nF,10%,10V,X7R,1005	1	SA	
FEC101	2203-006048	C-CER,CHIP;100nF,10%,10V,X7R,1005	1	SA		FEC57	2203-006158	C-CER,CHIP;100nF,10%,16V,X7R,1005	1	SA	
FEC102	2203-005249	C-CER,CHIP;100nF,10%,50V,X7R,TP,160	1	SNA		FEC58	2203-006158	C-CER,CHIP;100nF,10%,16V,X7R,1005	1	SA	
FEC103	2203-006048	C-CER,CHIP;100nF,10%,10V,X7R,1005	1	SA		FEC59	2203-006158	C-CER,CHIP;100nF,10%,16V,X7R,1005	1	SA	
FEC104	2203-006048	C-CER,CHIP;100nF,10%,10V,X7R,1005	1	SA		FEC6	2203-006048	C-CER,CHIP;100nF,10%,10V,X7R,1005	1	SA	
FEC105	2203-006048	C-CER,CHIP;100nF,10%,10V,X7R,1005	1	SA		FEC61	2203-005249	C-CER,CHIP;100nF,10%,50V,X7R,TP,160	1	SNA	
FEC106	2203-006048	C-CER,CHIP;100nF,10%,10V,X7R,1005	1	SA		FEC62	2203-002687	C-CER,CHIP;1.2nF,10%,50V,X7R,TP,100	1	SA	
FEC107	2203-006048	C-CER,CHIP;100nF,10%,10V,X7R,1005	1	SA		FEC68	2203-000715	C-CER,CHIP;3.3nF,10%,50V,X7R,1608	1	SNA	
FEC108	2203-006361	C-CER,CHIP;10000nF,10%,10V,X5R,TP,2	1	SC							



Exploded Views and Parts List

Loc.No	Parts No.	Description : Specification	Q'ty	S.N.A	Remark	Loc.No	Parts No.	Description : Specification	Q'ty	S.N.A	Remark
FEC69	2203-000715	C-CER,CHIP;3.3nF,10%,50V,X7R,1608	1	SNA		FER42	2007-001325	R-CHIP;3.3Kohm,5%,1/16W,TP,1005	1	SA	
FEC7	2203-006048	C-CER,CHIP;100nF,10%,10V,X7R,1005	1	SA		FER43	2007-000695	R-CHIP;3.3ohm,5%,1/10W,TP,1608	1	SA	
FEC70	2203-000715	C-CER,CHIP;3.3nF,10%,50V,X7R,1608	1	SNA		FER44	2007-000695	R-CHIP;3.3ohm,5%,1/10W,TP,1608	1	SA	
FEC71	2203-006158	C-CER,CHIP;100nF,10%,16V,X7R,1005	1	SA		FER45	2007-000695	R-CHIP;3.3ohm,5%,1/10W,TP,1608	1	SA	
FEC72	2203-006158	C-CER,CHIP;100nF,10%,16V,X7R,1005	1	SA		FER50	2007-000695	R-CHIP;3.3ohm,5%,1/10W,TP,1608	1	SA	
FEC74	2203-000438	C-CER,CHIP;1nF,10%,50V,X7R,1005	1	SA		FER51	2007-000695	R-CHIP;3.3ohm,5%,1/10W,TP,1608	1	SA	
FEC76	2203-006158	C-CER,CHIP;100nF,10%,16V,X7R,1005	1	SA		FER52	2007-000695	R-CHIP;3.3ohm,5%,1/10W,TP,1608	1	SA	
FEC77	2203-006361	C-CER,CHIP;1000nF,10%,10V,X5R,TP,2	1	SC		FER53	2007-000162	R-CHIP;100Kohm,5%,1/16W,TP,1005	1	SA	
FEC78	2203-006048	C-CER,CHIP;100nF,10%,10V,X7R,1005	1	SA		FER54	2007-000141	R-CHIP;2.2Kohm,5%,1/16W,TP,1005	1	SA	
FEC79	2203-006361	C-CER,CHIP;1000nF,10%,10V,X5R,TP,2	1	SC		FER55	2007-001325	R-CHIP;3.3Kohm,5%,1/16W,TP,1005	1	SA	
FEC8	2203-006158	C-CER,CHIP;100nF,10%,16V,X7R,1005	1	SA		FER56	2007-000086	R-CHIP;5.6Kohm,5%,1/10W,TP,1608	1	SA	
FEC82	2203-006048	C-CER,CHIP;100nF,10%,10V,X7R,1005	1	SA		FER58	2007-000431	R-CHIP;16Kohm,5%,1/10W,TP,1608	1	SA	
FEC83	2203-006048	C-CER,CHIP;100nF,10%,10V,X7R,1005	1	SA		FER61	2007-000503	R-CHIP;2.2ohm,5%,1/10W,TP,1608	1	SA	
FEC84	2203-006048	C-CER,CHIP;100nF,10%,10V,X7R,1005	1	SA		FER62	2007-000503	R-CHIP;2.2ohm,5%,1/10W,TP,1608	1	SA	
FEC85	2203-006048	C-CER,CHIP;100nF,10%,10V,X7R,1005	1	SA		FER63	2007-000090	R-CHIP;10Kohm,5%,1/10W,TP,1608	1	SA	
FEC86	2203-006048	C-CER,CHIP;100nF,10%,10V,X7R,1005	1	SA		FER64	2007-000503	R-CHIP;2.2ohm,5%,1/10W,TP,1608	1	SA	
FEC87	2203-006361	C-CER,CHIP;1000nF,10%,10V,X5R,TP,2	1	SC		FER65	2007-000695	R-CHIP;3.3ohm,5%,1/10W,TP,1608	1	SA	
FEC88	2203-006361	C-CER,CHIP;1000nF,10%,10V,X5R,TP,2	1	SC		FER66	2007-000695	R-CHIP;3.3ohm,5%,1/10W,TP,1608	1	SA	
FEC89	2203-006048	C-CER,CHIP;100nF,10%,10V,X7R,1005	1	SA		FER67	2007-000148	R-CHIP;10Kohm,5%,1/16W,TP,1005	1	SA	
FEC90	2203-001405	C-CER,CHIP;22nF,+80-20%,25V,Y5V,100	1	SA		FER68	2007-000695	R-CHIP;3.3ohm,5%,1/10W,TP,1608	1	SA	
FEC91	2203-001405	C-CER,CHIP;22nF,+80-20%,25V,Y5V,100	1	SA		FER70	2007-000157	R-CHIP;47Kohm,5%,1/16W,TP,1005	1	SNA	
FEC92	2203-000491	C-CER,CHIP;2.2nF,10%,50V,X7R,1608	1	SA		FER71	2007-007334	R-CHIP;200Kohm,1%,1/16W,TP,1005	1	SNA	
FEC93	2203-006361	C-CER,CHIP;1000nF,10%,10V,X5R,TP,2	1	SC		FER72	2007-000148	R-CHIP;10Kohm,5%,1/16W,TP,1005	1	SA	
FEC94	2203-006048	C-CER,CHIP;100nF,10%,10V,X7R,1005	1	SA		FER77	2007-000170	R-CHIP;1Mohm,5%,1/16W,TP,1005	1	SNA	
FEC95	2203-006048	C-CER,CHIP;100nF,10%,10V,X7R,1005	1	SA		FER84	2007-000157	R-CHIP;47Kohm,5%,1/16W,TP,1005	1	SNA	
FEC96	2203-006048	C-CER,CHIP;100nF,10%,10V,X7R,1005	1	SA		FER87	2007-000146	R-CHIP;6.8Kohm,5%,1/16W,TP,1005	1	SNA	
FEC97	2203-006048	C-CER,CHIP;100nF,10%,10V,X7R,1005	1	SA		FER91	2007-000148	R-CHIP;10Kohm,5%,1/16W,TP,1005	1	SA	
FEC98	2203-006048	C-CER,CHIP;100nF,10%,10V,X7R,1005	1	SA		FER92	2007-000148	R-CHIP;10Kohm,5%,1/16W,TP,1005	1	SA	
FEC99	2203-006048	C-CER,CHIP;100nF,10%,10V,X7R,1005	1	SA		FER93	2007-008297	R-CHIP;33.2Kohm,1%,1/16W,TP,1005	1	SNA	
FEIC13	1105-001397	IC-DRAM;K4S641632,SDR,64Mbit,4Mx16,	1	SA		FER94	2007-000140	R-CHIP;1Kohm,5%,1/16W,TP,1005	1	SNA	
FEIC15	1001-001482	IC-ANALOG SWITCH;MAX4610CUD,SPST CM	1	SNA		FER948	2007-000171	R-CHIP;0ohm,5%,1/16W,TP,1005	1	SNA	
FER1	2007-000151	R-CHIP;15Kohm,5%,1/16W,TP,1005	1	SNA		FER949	2007-000138	R-CHIP;100ohm,5%,1/16W,TP,1005	1	SNA	
FER10	1404-001328	THERMISTOR-NTC;10Kohm,0A,3370K,0mW/	1	SNA		FER95	2007-000157	R-CHIP;47Kohm,5%,1/16W,TP,1005	1	SNA	
FER100	2007-000143	R-CHIP;4.7Kohm,5%,1/16W,TP,1005	1	SNA		FER955	2007-000171	R-CHIP;0ohm,5%,1/16W,TP,1005	1	SNA	
FER101	2007-000078	R-CHIP;1Kohm,5%,1/10W,TP,1608	1	SA		FER962	2007-000148	R-CHIP;10Kohm,5%,1/16W,TP,1005	1	SA	
FER106	2007-000148	R-CHIP;10Kohm,5%,1/16W,TP,1005	1	SA		FER963	2007-000138	R-CHIP;100ohm,5%,1/16W,TP,1005	1	SNA	
FER107	2007-000140	R-CHIP;1Kohm,5%,1/16W,TP,1005	1	SNA		FER964	2007-000148	R-CHIP;10Kohm,5%,1/16W,TP,1005	1	SA	
FER108	2007-000173	R-CHIP;2.2ohm,5%,1/16W,TP,1005	1	SA		FER966	2007-007142	R-CHIP;10Kohm,1%,1/16W,TP,1005	1	SNA	
FER109	2007-000148	R-CHIP;10Kohm,5%,1/16W,TP,1005	1	SA		FER967	2007-000141	R-CHIP;2.2Kohm,5%,1/16W,TP,1005	1	SA	
FER11	2007-000146	R-CHIP;6.8Kohm,5%,1/16W,TP,1005	1	SNA		FER98	2007-000148	R-CHIP;10Kohm,5%,1/16W,TP,1005	1	SA	
FER110	2007-000148	R-CHIP;10Kohm,5%,1/16W,TP,1005	1	SA		FER99	2007-001014	R-CHIP;51ohm,5%,1/10W,TP,1608	1	SA	
FER111	2007-000148	R-CHIP;10Kohm,5%,1/16W,TP,1005	1	SA		FEU2	1003-002187	IC-MOTOR DRIVER;AM9268,SOP,42P,18x7	1	SNA	
FER112	2007-000148	R-CHIP;10Kohm,5%,1/16W,TP,1005	1	SA		FEU3	1003-002188	IC-MOTOR DRIVER;AM9858,SOP,28P,18x7	1	SNA	
FER116	2007-000171	R-CHIP;0ohm,5%,1/16W,TP,1005	1	SNA		FIC3	1103-001398	IC-EEPROM;24C02,2Kbit,256Kx8,SOIC,8	1	SA	
FER121	2007-000170	R-CHIP;1Mohm,5%,1/16W,TP,1005	1	SNA		FIC4	0801-002097	IC-CMOS LOGIC;7ST08,AND GATE,SOP,5P	1	SNA	
FER18	2007-000157	R-CHIP;47Kohm,5%,1/16W,TP,1005	1	SNA		FMIC1	AK09-00204B	IC MICOM-MASK;MC80F0448,MC80F0448,6	1	SNA	
FER19	2007-000157	R-CHIP;47Kohm,5%,1/16W,TP,1005	1	SNA		FMIC2	1203-002755	IC-VOL. DETECTOR;KIA7031AF,-(0.3-15	1	SA	
FER2	2007-000138	R-CHIP;100ohm,5%,1/16W,TP,1005	1	SNA		FR1	2007-000148	R-CHIP;10Kohm,5%,1/16W,TP,1005	1	SA	
FER20	2007-000157	R-CHIP;47Kohm,5%,1/16W,TP,1005	1	SNA		FR11	2007-000070	R-CHIP;0ohm,5%,1/10W,TP,1608	1	SNA	
FER22	2007-001044	R-CHIP;56ohm,5%,1/10W,TP,1608	1	SA		FR12	2007-000171	R-CHIP;0ohm,5%,1/16W,TP,1005	1	SNA	
FER23	2007-001044	R-CHIP;56ohm,5%,1/10W,TP,1608	1	SA		FR13	2007-000140	R-CHIP;1Kohm,5%,1/16W,TP,1005	1	SNA	
FER24	2007-000151	R-CHIP;15Kohm,5%,1/16W,TP,1005	1	SNA		FR14	2007-000137	R-CHIP;2Kohm,5%,1/16W,TP,1005	1	SA	
FER25	2007-000151	R-CHIP;15Kohm,5%,1/16W,TP,1005	1	SNA		FR15	2007-000137	R-CHIP;2Kohm,5%,1/16W,TP,1005	1	SA	
FER26	2007-001313	R-CHIP;330ohm,5%,1/16W,TP,1005	1	SA		FR2	2007-000148	R-CHIP;10Kohm,5%,1/16W,TP,1005	1	SA	
FER27	2007-000156	R-CHIP;30Kohm,5%,1/16W,TP,1005	1	SA		FR21	2007-000159	R-CHIP;56Kohm,5%,1/16W,TP,1005	1	SA	
FER29	2007-001044	R-CHIP;56ohm,5%,1/10W,TP,1608	1	SA		FR22	2007-000138	R-CHIP;100ohm,5%,1/16W,TP,1005	1	SNA	
FER30	2007-001044	R-CHIP;56ohm,5%,1/10W,TP,1608	1	SA		FR24	2007-000100	R-CHIP;68Kohm,5%,1/10W,TP,1608	1	SNA	
FER31	2007-000835	R-CHIP;39ohm,1%,1/10W,TP,1608	1	SA		FR26	2007-000148	R-CHIP;10Kohm,5%,1/16W,TP,1005	1	SA	
FER32	2007-000835	R-CHIP;39ohm,1%,1/10W,TP,1608	1	SA		FR28	2007-000171	R-CHIP;0ohm,5%,1/16W,TP,1005	1	SNA	
FER35	2007-000140	R-CHIP;1Kohm,5%,1/16W,TP,1005	1	SNA		FR29	2007-000140	R-CHIP;1Kohm,5%,1/16W,TP,1005	1	SNA	
FER37	2007-000140	R-CHIP;1Kohm,5%,1/16W,TP,1005	1	SNA		FR3	2007-000148	R-CHIP;10Kohm,5%,1/16W,TP,1005	1	SA	
FER4	2007-001325	R-CHIP;3.3Kohm,5%,1/16W,TP,1005	1	SA		FR32	2007-000140	R-CHIP;1Kohm,5%,1/16W,TP,1005	1	SNA	
FER41	2007-001325	R-CHIP;3.3Kohm,5%,1/16W,TP,1005	1	SA		FR42	2007-000171	R-CHIP;0ohm,5%,1/16W,TP,1005	1	SNA	



Loc.No	Parts No.	Description : Specification	Q'ty	S.N.A	Remark	Loc.No	Parts No.	Description : Specification	Q'ty	S.N.A	Remark
FR43	2007-000171	R-CHIP;0ohm,5%,1/16W,TP,1005	1	SNA		HR6	2007-000171	R-CHIP;0ohm,5%,1/16W,TP,1005	1	SNA	
FR44	2007-000171	R-CHIP;0ohm,5%,1/16W,TP,1005	1	SNA		HR7	2007-000171	R-CHIP;0ohm,5%,1/16W,TP,1005	1	SNA	
FR45	2007-000148	R-CHIP;10Kohm,5%,1/16W,TP,1005	1	SA		HR8	2007-000171	R-CHIP;0ohm,5%,1/16W,TP,1005	1	SNA	
FR46	2007-000148	R-CHIP;10Kohm,5%,1/16W,TP,1005	1	SA		HR9	2007-000171	R-CHIP;0ohm,5%,1/16W,TP,1005	1	SNA	
FR47	2007-000148	R-CHIP;10Kohm,5%,1/16W,TP,1005	1	SA		HUC1	2203-006158	C-CER,CHIP;100nF,10%,16V,X7R,1005	1	SA	
FR48	2007-000138	R-CHIP;100ohm,5%,1/16W,TP,1005	1	SNA		HUC10	2203-000552	C-CER,CHIP;0.02nF,5%,50V,COG,1608	1	SNA	
FR49	2007-000138	R-CHIP;100ohm,5%,1/16W,TP,1005	1	SNA		HUC11	2203-005065	C-CER,CHIP;1000nF,+80-20%,10V,Y5V,1	1	SNA	
FR50	2007-000138	R-CHIP;100ohm,5%,1/16W,TP,1005	1	SNA		HUC12	2203-006158	C-CER,CHIP;100nF,10%,16V,X7R,1005	1	SA	
FR51	2007-000138	R-CHIP;100ohm,5%,1/16W,TP,1005	1	SNA		HUC13	2203-006158	C-CER,CHIP;100nF,10%,16V,X7R,1005	1	SA	
FR52	2007-000070	R-CHIP;0ohm,5%,1/10W,TP,1608	1	SNA		HUC14	2203-005065	C-CER,CHIP;1000nF,+80-20%,10V,Y5V,1	1	SNA	
FR53	2007-000070	R-CHIP;0ohm,5%,1/10W,TP,1608	1	SNA		HUC2	2203-006158	C-CER,CHIP;100nF,10%,16V,X7R,1005	1	SA	
FR54	2007-000070	R-CHIP;0ohm,5%,1/10W,TP,1608	1	SNA		HUC3	2203-006158	C-CER,CHIP;100nF,10%,16V,X7R,1005	1	SA	
FR55	2007-000143	R-CHIP;4.7Kohm,5%,1/16W,TP,1005	1	SNA		HUC4	2203-006158	C-CER,CHIP;100nF,10%,16V,X7R,1005	1	SA	
FR56	2007-000143	R-CHIP;4.7Kohm,5%,1/16W,TP,1005	1	SNA		HUC5	2203-006158	C-CER,CHIP;100nF,10%,16V,X7R,1005	1	SA	
FR57	2007-000029	R-CHIP;0ohm,5%,1/8W,TP,2012	1	SC		HUC6	2203-006158	C-CER,CHIP;100nF,10%,16V,X7R,1005	1	SA	
FR58	2007-000070	R-CHIP;0ohm,5%,1/10W,TP,1608	1	SNA		HUC7	2203-000552	C-CER,CHIP;0.02nF,5%,50V,COG,1608	1	SNA	
FR59	2007-000171	R-CHIP;0ohm,5%,1/16W,TP,1005	1	SNA		HUC8	2203-006158	C-CER,CHIP;100nF,10%,16V,X7R,1005	1	SA	
FR6	2007-000052	R-CHIP;10Kohm,1%,1/10W,TP,1608	1	SNA		HUC9	2203-006158	C-CER,CHIP;100nF,10%,16V,X7R,1005	1	SA	
FR60	2007-000171	R-CHIP;0ohm,5%,1/16W,TP,1005	1	SNA		HUR1	2007-000070	R-CHIP;0ohm,5%,1/10W,TP,1608	1	SNA	
FR63	2007-000151	R-CHIP;15Kohm,5%,1/16W,TP,1005	1	SNA		HUR10	2007-007309	R-CHIP;12Kohm,1%,1/16W,TP,1005	1	SA	
FR64	2007-000151	R-CHIP;15Kohm,5%,1/16W,TP,1005	1	SNA		HUR15	2007-000092	R-CHIP;15Kohm,5%,1/10W,TP,1608	1	SA	
FR65	2007-000148	R-CHIP;10Kohm,5%,1/16W,TP,1005	1	SA		HUR16	2007-000092	R-CHIP;15Kohm,5%,1/10W,TP,1608	1	SA	
FR66	2007-000148	R-CHIP;10Kohm,5%,1/16W,TP,1005	1	SA		HUR17	2007-000092	R-CHIP;15Kohm,5%,1/10W,TP,1608	1	SA	
FR67	2007-000148	R-CHIP;10Kohm,5%,1/16W,TP,1005	1	SA		HUR18	2007-000092	R-CHIP;15Kohm,5%,1/10W,TP,1608	1	SA	
FR7	2007-000052	R-CHIP;10Kohm,1%,1/10W,TP,1608	1	SNA		HUR2	2007-000070	R-CHIP;0ohm,5%,1/10W,TP,1608	1	SNA	
FR9	2007-000137	R-CHIP;2Kohm,5%,1/16W,TP,1005	1	SA		HUR3	2007-000171	R-CHIP;0ohm,5%,1/16W,TP,1005	1	SNA	
FU2	0801-002701	IC-CMOS LOGIC;74VHCT125A,BUFFER,TSS	1	SA		HUR4	2007-000162	R-CHIP;100Kohm,5%,1/16W,TP,1005	1	SA	
FU3	0801-002487	IC-CMOS LOGIC;7SZ126,BUFFER,SOT-353	1	SA		HUR5	2007-000162	R-CHIP;100Kohm,5%,1/16W,TP,1005	1	SA	
FU4	0801-002487	IC-CMOS LOGIC;7SZ126,BUFFER,SOT-353	1	SA		HUR6	2007-000162	R-CHIP;100Kohm,5%,1/16W,TP,1005	1	SA	
FX1	2802-001164	RESONATOR-CERAMIC;8.000MHZ,±0.5%,T	1	SNA		HUR7	2007-000162	R-CHIP;100Kohm,5%,1/16W,TP,1005	1	SA	
HC1	2203-006361	C-CER,CHIP;1000nF,10%,10V,X5R,TP,2	1	SC		HUR71	2007-000171	R-CHIP;0ohm,5%,1/16W,TP,1005	1	SNA	
HC2	2203-006048	C-CER,CHIP;100nF,10%,10V,X7R,1005	1	SA		HUR72	2007-000171	R-CHIP;0ohm,5%,1/16W,TP,1005	1	SNA	
HCN1	3701-001313	CONNECTOR-HDMI;19P,2R,PLUG,ANGLE,AU	1	SA		HUR8	2007-000162	R-CHIP;100Kohm,5%,1/16W,TP,1005	1	SA	
HD1	1405-001192	VARIATOR;12Vdc,30A,1.6x0.8x0.55mm,T	1	SA		HUR81	2007-000171	R-CHIP;0ohm,5%,1/16W,TP,1005	1	SNA	
HD10	1405-001192	VARIATOR;12Vdc,30A,1.6x0.8x0.55mm,T	1	SA		HUR82	2007-000171	R-CHIP;0ohm,5%,1/16W,TP,1005	1	SNA	
HD11	1405-001192	VARIATOR;12Vdc,30A,1.6x0.8x0.55mm,T	1	SA		HUR87	2007-000092	R-CHIP;15Kohm,5%,1/10W,TP,1608	1	SA	
HD2	1405-001192	VARIATOR;12Vdc,30A,1.6x0.8x0.55mm,T	1	SA		HUR88	2007-000092	R-CHIP;15Kohm,5%,1/10W,TP,1608	1	SA	
HD3	1405-001192	VARIATOR;12Vdc,30A,1.6x0.8x0.55mm,T	1	SA		HUR9	2007-000170	R-CHIP;1Mohm,5%,1/16W,TP,1005	1	SNA	
HD4	1405-001192	VARIATOR;12Vdc,30A,1.6x0.8x0.55mm,T	1	SA		HUR97	2007-000171	R-CHIP;0ohm,5%,1/16W,TP,1005	1	SNA	
HD5	1405-001192	VARIATOR;12Vdc,30A,1.6x0.8x0.55mm,T	1	SA		HUR98	2007-000171	R-CHIP;0ohm,5%,1/16W,TP,1005	1	SNA	
HD6	1405-001192	VARIATOR;12Vdc,30A,1.6x0.8x0.55mm,T	1	SA		IC11	1201-002790	IC-VIDEO AMP;MM1797D/BE,TSOP,16P,5x	1	SNA	
HD7	1405-001192	VARIATOR;12Vdc,30A,1.6x0.8x0.55mm,T	1	SA		IC14	1001-001482	IC-ANALOG SWITCH;MAX4610CUD,SPST CM	1	SNA	
HD8	1405-001192	VARIATOR;12Vdc,30A,1.6x0.8x0.55mm,T	1	SA		IC16	1201-000166	IC-OP AMP;LM358,SOP,ST,8P,150MIL,DU	1	SA	
HD9	1405-001192	VARIATOR;12Vdc,30A,1.6x0.8x0.55mm,T	1	SA		IC2	1203-005469	IC-POWER SUPERVISOR;MIC2009YM6,SOT-	1	SNA	
HQ1	0501-000341	TR-SMALL SIGNAL;KSC1623-L,NPN,200mW	1	SNA		JFET2	0505-001957	FET-SILICON;NTR2101P,P,-8V,-3.7A,0	1	SA	
HQ2	0505-000110	FET-SILICON;2N7002,N,60V,115mA,7.5o	1	SA		L1	3301-000317	BEAD-SMD;120ohm,2012,TP,-,-	1	SA	
HR1	2007-000171	R-CHIP;0ohm,5%,1/16W,TP,1005	1	SNA		L2	3301-000314	BEAD-SMD;120ohm,1.6x0.8x0.8mm,-,-,-	1	SNA	
HR10	2007-000171	R-CHIP;0ohm,5%,1/16W,TP,1005	1	SNA		L2831	2703-000166	INDUCTOR-SMD;2.7uH,5%,3225	1	SA	
HR11	2007-000171	R-CHIP;0ohm,5%,1/16W,TP,1005	1	SNA		MEM1	1105-002015	IC-DDR2 SDRAM;NT5TU32M16CG-25C,DDR2	1	SNA	
HR12	2007-000140	R-CHIP;1Kohm,5%,1/16W,TP,1005	1	SNA		MEM2	1105-002015	IC-DDR2 SDRAM;NT5TU32M16CG-25C,DDR2	1	SNA	
HR13	2007-000093	R-CHIP;20Kohm,5%,1/10W,TP,1608	1	SNA		MEM3	1105-002012	IC-DDR2 SDRAM;NT5TU64M16DG-AC,DDR2	1	SNA	
HR14	2007-007697	R-CHIP;2.4Kohm,1%,1/16W,TP,1005	1	SNA		MEM4	1105-002012	IC-DDR2 SDRAM;NT5TU64M16DG-AC,DDR2	1	SNA	
HR17	2007-000143	R-CHIP;4.7Kohm,5%,1/16W,TP,1005	1	SNA		NAC1	2203-006361	C-CER,CHIP;1000nF,10%,10V,X5R,TP,2	1	SC	
HR19	2007-000143	R-CHIP;4.7Kohm,5%,1/16W,TP,1005	1	SNA		NAC10	2203-000254	C-CER,CHIP;10nF,10%,16V,X7R,1005	1	SA	
HR2	2007-000171	R-CHIP;0ohm,5%,1/16W,TP,1005	1	SNA		NAC11	2203-006892	C-CER,CHIP;4700nF,+80-20%,16V,Y5V,T	1	SC	
HR23	2007-000070	R-CHIP;0ohm,5%,1/10W,TP,1608	1	SNA		NAC12	2203-006324	C-CER,CHIP;2200nF,10%,10V,X5R,1608	1	SNA	
HR27	2007-007467	R-CHIP;12.1Kohm,1%,1/16W,TP,1005	1	SA		NAC2	2203-006361	C-CER,CHIP;1000nF,10%,10V,X5R,TP,2	1	SC	
HR3	2007-000171	R-CHIP;0ohm,5%,1/16W,TP,1005	1	SNA		NAC3	2203-005065	C-CER,CHIP;1000nF,+80-20%,10V,Y5V,1	1	SNA	
HR30	2007-000171	R-CHIP;0ohm,5%,1/16W,TP,1005	1	SNA		NAC4	2203-000254	C-CER,CHIP;10nF,10%,16V,X7R,1005	1	SA	
HR31	2007-001644	R-CHIP;10Kohm,0.5%,1/10W,TP,1608	1	SA		NAC5	2203-005065	C-CER,CHIP;1000nF,+80-20%,10V,Y5V,1	1	SNA	
HR32	2007-001644	R-CHIP;10Kohm,0.5%,1/10W,TP,1608	1	SA		NAC6	2203-005065	C-CER,CHIP;1000nF,+80-20%,10V,Y5V,1	1	SNA	
HR4	2007-000171	R-CHIP;0ohm,5%,1/16W,TP,1005	1	SNA		NAC7	2203-000278	C-CER,CHIP;0.01nF,0.5pF,50V,COG,100	1	SA	
HR5	2007-000171	R-CHIP;0ohm,5%,1/16W,TP,1005	1	SNA		NAC8	2203-000278	C-CER,CHIP;0.01nF,0.5pF,50V,COG,100	1	SA	

Exploded Views and Parts List

Loc.No	Parts No.	Description : Specification	Q'ty	S.N.A	Remark	Loc.No	Parts No.	Description : Specification	Q'ty	S.N.A	Remark
NAC9	2203-006361	C-CER,CHIP;1000nF,10%,10V,X5R,TP,2	1	SC		PD4	0404-001173	DIODE-SCHOTTKY;RB081L-20,20V,5000MA	1	SA	
NAIC1	0904-002442	IC-USC;SK6211BAPC-A,LQFP,48P,9x9mm,	1	SNA		PIC1	1203-005188	IC-DC/DC CONVERTER;AOZ1021AIL,SOP,8	1	SA	
NAND1	1107-001805	IC-NAND FLASH;NAND512W3A-2CN6,512Mb	1	SNA		PIC2	1203-004693	IC-SWITCH VOL. REG.;MP2380DN,SOIC,8	1	SA	
NAND2	1107-001774	IC-NAND FLASH;K9G8G08U0A-PCB0,1GByt	1	SNA		PIC3	1203-003695	IC-POSIFIXED REG.;NCP1117ST33T3G,S	1	SA	
NAR1	2007-000157	R-CHIP;47Kohm,5%,1/16W,TP,1005	1	SNA		PIC4	1203-002842	IC-POSIFIXED REG.;AP1117D-33A,TO-2	1	SA	
NAR2	2007-001313	R-CHIP;330ohm,5%,1/16W,TP,1005	1	SA		PIC5	1203-002253	IC-POSIFIXED REG.;K1A7808AF,DPAK,3	1	SNA	
NAR3	2007-001313	R-CHIP;330ohm,5%,1/16W,TP,1005	1	SA		PIC6	1203-003695	IC-POSIFIXED REG.;NCP1117ST33T3G,S	1	SA	
NAR94	2007-000171	R-CHIP;0ohm,5%,1/16W,TP,1005	1	SNA		PL1	3301-001202	BEAD-SMD;120ohm,4532,TP,167ohm/260M	1	SNA	
NAR95	2007-000171	R-CHIP;0ohm,5%,1/16W,TP,1005	1	SNA		PL10	2703-003247	INDUCTOR-SMD;4.7uH,20%,9998	1	SA	
NATAL1	2801-004164	CRYSTAL-SMD;12MHZ,50PPM,28-ACI,7PF,	1	SA		PL11	3301-001655	BEAD-SMD;33ohm,3216,3000mA,TP,16ohm	1	SA	
NDL1	3301-000317	BEAD-SMD;120ohm,2012,TP,-,-	1	SA		PL21	2901-001281	FILTER-EMI SMD;16V,2A,-,220000pF,2	1	SNA	
NFC1	2203-006048	C-CER,CHIP;100nF,10%,10V,X7R,1005	1	SA		PL23	3301-001202	BEAD-SMD;120ohm,4532,TP,167ohm/260M	1	SNA	
NFC2	2203-006048	C-CER,CHIP;100nF,10%,10V,X7R,1005	1	SA		PL24	3301-001202	BEAD-SMD;120ohm,4532,TP,167ohm/260M	1	SNA	
NFR1	2007-001292	R-CHIP;33ohm,5%,1/16W,TP,1005	1	SNA		PL3	2703-003248	INDUCTOR-SMD;8.2uH,20%,7272	1	SA	
NFR2	2007-001292	R-CHIP;33ohm,5%,1/16W,TP,1005	1	SNA		PL6	3301-001202	BEAD-SMD;120ohm,4532,TP,167ohm/260M	1	SNA	
NFR3	2007-001292	R-CHIP;33ohm,5%,1/16W,TP,1005	1	SNA		PL7	3301-001202	BEAD-SMD;120ohm,4532,TP,167ohm/260M	1	SNA	
NFR4	2007-001292	R-CHIP;33ohm,5%,1/16W,TP,1005	1	SNA		PL8	3301-001202	BEAD-SMD;120ohm,4532,TP,167ohm/260M	1	SNA	
NFR5	2007-001292	R-CHIP;33ohm,5%,1/16W,TP,1005	1	SNA		PL9	3301-001202	BEAD-SMD;120ohm,4532,TP,167ohm/260M	1	SNA	
NFR6	2007-001292	R-CHIP;33ohm,5%,1/16W,TP,1005	1	SNA		PQ1	0501-000457	TR-SMALL SIGNAL;MMBT2222A/KST2222A,	1	SA	
NFR7	2007-001292	R-CHIP;33ohm,5%,1/16W,TP,1005	1	SNA		PQ2	0501-000457	TR-SMALL SIGNAL;MMBT2222A/KST2222A,	1	SA	
NFR8	2007-000242	R-CHIP;1.5Kohm,5%,1/16W,TP,1005	1	SNA		PQ3	0504-000156	TR-DIGITAL;KSR2103,PNP,200MW,22K/2	1	SA	
OPD1	1405-001192	VARIATOR;12Vdc,30A,1.6x0.8x0.55mm,T	1	SA		PQ4	0504-000156	TR-DIGITAL;KSR2103,PNP,200MW,22K/2	1	SA	
OPD2	1405-001192	VARIATOR;12Vdc,30A,1.6x0.8x0.55mm,T	1	SA		PQ5	0501-000457	TR-SMALL SIGNAL;MMBT2222A/KST2222A,	1	SA	
OPR1	2007-000171	R-CHIP;0ohm,5%,1/16W,TP,1005	1	SNA		PQ6	0504-000126	TR-DIGITAL;KSR1101,NPN,200mW,4.7K/4	1	SA	
OPR2	2007-000171	R-CHIP;0ohm,5%,1/16W,TP,1005	1	SNA		PR12	2007-000148	R-CHIP;10Kohm,5%,1/16W,TP,1005	1	SA	
OPR3	2007-000171	R-CHIP;0ohm,5%,1/16W,TP,1005	1	SNA		PR13	2007-000140	R-CHIP;1Kohm,5%,1/16W,TP,1005	1	SNA	
OPR4	2007-000171	R-CHIP;0ohm,5%,1/16W,TP,1005	1	SNA		PR15	2007-000171	R-CHIP;0ohm,5%,1/16W,TP,1005	1	SNA	
OPTICAL	3707-001083	CONNECTOR-OPTICAL;PLUG,SPDIF,-17dB,	1	SA		PR16	2007-007197	R-CHIP;3.3ohm,5%,1/16W,TP,1005	1	SNA	
PC1	2203-006158	C-CER,CHIP;100nF,10%,16V,X7R,1005	1	SA		PR17	3301-001689	BEAD-SMD;220ohm,2012,TP,80ohm/100MH	1	SA	
PC10	2203-006048	C-CER,CHIP;100nF,10%,10V,X7R,1005	1	SA		PR19	2007-000869	R-CHIP;4.7Kohm,1%,1/10W,TP,1608	1	SNA	
PC11	2203-006361	C-CER,CHIP;1000nF,10%,10V,X5R,TP,2	1	SC		PR20	2007-000140	R-CHIP;1Kohm,5%,1/16W,TP,1005	1	SNA	
PC13	2203-006361	C-CER,CHIP;1000nF,10%,10V,X5R,TP,2	1	SC		PR22	2007-000078	R-CHIP;1Kohm,5%,1/10W,TP,1608	1	SA	
PC15	2203-005692	C-CER,CHIP;4700nF,+80-20%,16V,Y5V,T	1	SC		PR23	2007-000078	R-CHIP;1Kohm,5%,1/10W,TP,1608	1	SA	
PC16	2203-006474	C-CER,CHIP;2200nF,20%,6.3V,X5R,201	1	SA		PR24	2007-000052	R-CHIP;10Kohm,1%,1/10W,TP,1608	1	SNA	
PC17	2203-005065	C-CER,CHIP;1000nF,+80-20%,10V,Y5V,1	1	SNA		PR32	2007-000102	R-CHIP;100Kohm,5%,1/10W,TP,1608	1	SA	
PC18	2203-006361	C-CER,CHIP;1000nF,10%,10V,X5R,TP,2	1	SC		PR33	2007-000779	R-CHIP;33ohm,1%,1/10W,TP,1608	1	SNA	
PC19	2203-006158	C-CER,CHIP;100nF,10%,16V,X7R,1005	1	SA		PR34	2007-000029	R-CHIP;0ohm,5%,1/8W,TP,2012	1	SC	
PC2	2203-006158	C-CER,CHIP;100nF,10%,16V,X7R,1005	1	SA		PR35	2007-000141	R-CHIP;2.2Kohm,5%,1/16W,TP,1005	1	SA	
PC20	2203-006158	C-CER,CHIP;100nF,10%,16V,X7R,1005	1	SA		PR36	2007-000141	R-CHIP;2.2Kohm,5%,1/16W,TP,1005	1	SA	
PC21	2203-005692	C-CER,CHIP;4700nF,+80-20%,16V,Y5V,T	1	SC		PR37	2007-000140	R-CHIP;1Kohm,5%,1/16W,TP,1005	1	SNA	
PC22	2203-006361	C-CER,CHIP;1000nF,10%,10V,X5R,TP,2	1	SC		PR38	2007-000092	R-CHIP;15Kohm,5%,1/10W,TP,1608	1	SA	
PC3	2203-006158	C-CER,CHIP;100nF,10%,16V,X7R,1005	1	SA		PR39	2007-000096	R-CHIP;30Kohm,5%,1/10W,TP,1608	1	SA	
PC30	2203-006158	C-CER,CHIP;100nF,10%,16V,X7R,1005	1	SA		PR40	2007-000029	R-CHIP;0ohm,5%,1/8W,TP,2012	1	SC	
PC31	2203-006361	C-CER,CHIP;1000nF,10%,10V,X5R,TP,2	1	SC		PR41	2007-000171	R-CHIP;0ohm,5%,1/16W,TP,1005	1	SNA	
PC32	2203-006361	C-CER,CHIP;1000nF,10%,10V,X5R,TP,2	1	SC		PR5	2007-002987	R-CHIP;4.75Kohm,1%,1/10W,TP,1608	1	SNA	
PC34	2203-002793	C-CER,CHIP;1000nF,+80-20%,25V,Y5V,2	1	SNA		PR7	2007-008426	R-CHIP;12.4Kohm,1%,1/10W,TP,1608	1	SA	
PC35	2203-002793	C-CER,CHIP;1000nF,+80-20%,25V,Y5V,2	1	SNA		PR7S	2007-000287	R-CHIP;100ohm,1%,1/10W,TP,1608	1	SA	
PC4	2203-006333	C-CER,CHIP;1000nF,20%,16V,X5R,TP,3	1	SNA		PR8	2007-001325	R-CHIP;3.3Kohm,5%,1/16W,TP,1005	1	SA	
PC41	2203-006361	C-CER,CHIP;1000nF,10%,10V,X5R,TP,2	1	SC		PR9	2007-000052	R-CHIP;10Kohm,1%,1/10W,TP,1608	1	SNA	
PC47	2203-006158	C-CER,CHIP;100nF,10%,16V,X7R,1005	1	SA		Q1	0501-000465	TR-SMALL SIGNAL;MMBT3904,NPN,350mW,	1	SA	
PC49	2203-000234	C-CER,CHIP;0.1nF,5%,50V,COG,TP,1005	1	SA		Q2	0501-000465	TR-SMALL SIGNAL;MMBT3904,NPN,350mW,	1	SA	
PC5	2203-007133	C-CER,CHIP;1000nF,10%,16V,X5R,TP,2	1	SNA		Q3	0501-000465	TR-SMALL SIGNAL;MMBT3904,NPN,350mW,	1	SA	
PC52	2203-006818	C-CER,CHIP;4700nF,20%,6.3V,X5R,321	1	SA		Q4	0501-000546	TR-SMALL SIGNAL;KSA1298,PNP,200mW,S	1	SNA	
PC53	2203-006361	C-CER,CHIP;1000nF,10%,10V,X5R,TP,2	1	SC		Q5	0504-000126	TR-DIGITAL;KSR1101,NPN,200mW,4.7K/4	1	SA	
PC54	2203-006474	C-CER,CHIP;2200nF,20%,6.3V,X5R,201	1	SA		Q6	0504-000126	TR-DIGITAL;KSR1101,NPN,200mW,4.7K/4	1	SA	
PC57	2203-006361	C-CER,CHIP;1000nF,10%,10V,X5R,TP,2	1	SC		R1	2007-000148	R-CHIP;10Kohm,5%,1/16W,TP,1005	1	SA	
PC6	2203-006361	C-CER,CHIP;1000nF,10%,10V,X5R,TP,2	1	SC		R10	2007-002915	R-CHIP;4.02Kohm,1%,1/10W,TP,1608	1	SA	
PC62	2203-002982	C-CER,CHIP;6.8nF,10%,50V,X7R,1005	1	SA		R101	2007-000033	R-CHIP;0ohm,5%,1/4W,TP,3216	1	SNA	
PC7	2203-006361	C-CER,CHIP;1000nF,10%,10V,X5R,TP,2	1	SC		R102	2007-007613	R-CHIP;121ohm,1%,1/10W,TP,1608	1	SA	
PC73	2203-006361	C-CER,CHIP;1000nF,10%,10V,X5R,TP,2	1	SC		R103	2007-000148	R-CHIP;10Kohm,5%,1/16W,TP,1005	1	SA	
PC8	2203-006361	C-CER,CHIP;1000nF,10%,10V,X5R,TP,2	1	SC		R11	2007-000070	R-CHIP;0ohm,5%,1/10W,TP,1608	1	SNA	
PCON1	3710-002751	SOCKET-BOARD TO CABLE;13P,1R,1.25mm	1	SNA		R118	2007-000148	R-CHIP;10Kohm,5%,1/16W,TP,1005	1	SA	
PD1	0401-001099	DIODE-SWITCHING;1N4148WS,75V,150mA,	1	SA		R119	2007-000148	R-CHIP;10Kohm,5%,1/16W,TP,1005	1	SA	
PD2	0401-001099	DIODE-SWITCHING;1N4148WS,75V,150mA,	1	SA							

Loc.No	Parts No.	Description : Specification	Q'ty	S.N.A	Remark	Loc.No	Parts No.	Description : Specification	Q'ty	S.N.A	Remark
R12	2007-000070	R-CHIP;0ohm,5%,1/10W,TP,1608	1	SNA		R91	2007-000148	R-CHIP;10Kohm,5%,1/16W,TP,1005	1	SA	
R120	2007-000148	R-CHIP;10Kohm,5%,1/16W,TP,1005	1	SA		R92	2007-000148	R-CHIP;10Kohm,5%,1/16W,TP,1005	1	SA	
R121	2007-000148	R-CHIP;10Kohm,5%,1/16W,TP,1005	1	SA		R93	2007-001292	R-CHIP;33ohm,5%,1/16W,TP,1005	1	SNA	
						R94	2007-001292	R-CHIP;33ohm,5%,1/16W,TP,1005	1	SNA	
R122	2007-000140	R-CHIP;1Kohm,5%,1/16W,TP,1005	1	SNA		R95	2007-000148	R-CHIP;10Kohm,5%,1/16W,TP,1005	1	SA	
R123	2007-000148	R-CHIP;10Kohm,5%,1/16W,TP,1005	1	SA							
R124	2007-000171	R-CHIP;0ohm,5%,1/16W,TP,1005	1	SNA		R96	2007-000148	R-CHIP;10Kohm,5%,1/16W,TP,1005	1	SA	
R126	2007-000070	R-CHIP;0ohm,5%,1/10W,TP,1608	1	SNA		R97	2007-000171	R-CHIP;0ohm,5%,1/16W,TP,1005	1	SNA	
R132	2007-000148	R-CHIP;10Kohm,5%,1/16W,TP,1005	1	SA		R973	2703-000158	INDUCTOR-SMD;1uH,10%,2012	1	SA	
						R98	2007-000148	R-CHIP;10Kohm,5%,1/16W,TP,1005	1	SA	
R137	2007-000171	R-CHIP;0ohm,5%,1/16W,TP,1005	1	SNA		R99	2007-000148	R-CHIP;10Kohm,5%,1/16W,TP,1005	1	SA	
R14	2007-000148	R-CHIP;10Kohm,5%,1/16W,TP,1005	1	SA							
R16	2007-007141	R-CHIP;240ohm,5%,1/16W,TP,1005	1	SA		U1	1204-002978	IC-VIDEO DECODER;BCM7601YKFEGB,FCBG	1	SNA	
R2	2007-008453	R-CHIP;1.24Kohm,1%,1/16W,TP,1005	1	SNA		U100	0903-001580	IC-MICROCONTROLLER;BCM7620,LQFP,216	1	SNA	
R20	2007-000092	R-CHIP;15Kohm,5%,1/10W,TP,1608	1	SA		U182	1107-001763	IC-NOR FLASH;AT26DF081A-SU,8Mbit,1M	1	SNA	
						UB2	3301-000317	BEAD-SMD;120ohm,2012,TP,-,-	1	SA	
R21	2007-000092	R-CHIP;15Kohm,5%,1/10W,TP,1608	1	SA		UD1	0406-001239	DIODE-TVS;RClamp0502B,6V,125W,SOT-5	1	SA	
R22	2007-000148	R-CHIP;10Kohm,5%,1/16W,TP,1005	1	SA							
R23	2007-007141	R-CHIP;240ohm,5%,1/16W,TP,1005	1	SA		UD2	0406-001239	DIODE-TVS;RClamp0502B,6V,125W,SOT-5	1	SA	
R24	2007-000043	R-CHIP;1Kohm,1%,1/10W,TP,1608	1	SA		UIC10	0904-002436	IC-USC;USB2512A,QFN,36P,6x6mm,24Mhz	1	SNA	
R25	2007-000043	R-CHIP;1Kohm,1%,1/10W,TP,1608	1	SA		UJACK2	3722-002339	JACK-USB;4P,AU,BLK,ANGLE,A TYPE	1	SA	
						UR39	2703-000402	INDUCTOR-SMD;1uH,20%,3225	1	SNA	
R26	2007-007613	R-CHIP;121ohm,1%,1/10W,TP,1608	1	SA		UR40	2703-000402	INDUCTOR-SMD;1uH,20%,3225	1	SNA	
R27	2007-007613	R-CHIP;121ohm,1%,1/10W,TP,1608	1	SA							
R28	2007-007141	R-CHIP;240ohm,5%,1/16W,TP,1005	1	SA		VC12	2203-006361	C-CER,CHIP;1000nF,10%,10V,X5R,TP,2	1	SC	
R29	2007-000043	R-CHIP;1Kohm,1%,1/10W,TP,1608	1	SA		VC13	2203-006562	C-CER,CHIP;1000nF,10%,10V,X5R,TP,10	1	SNA	
R30	2007-000043	R-CHIP;1Kohm,1%,1/10W,TP,1608	1	SA		VC15	2203-006158	C-CER,CHIP;100nF,10%,16V,X7R,1005	1	SA	
						VC16	2203-006562	C-CER,CHIP;1000nF,10%,10V,X5R,TP,10	1	SNA	
R31	2007-007613	R-CHIP;121ohm,1%,1/10W,TP,1608	1	SA		VC17	2203-006562	C-CER,CHIP;1000nF,10%,10V,X5R,TP,10	1	SNA	
R33	2007-001288	R-CHIP;18ohm,5%,1/16W,TP,1005	1	SA							
R34	2007-001288	R-CHIP;18ohm,5%,1/16W,TP,1005	1	SA		VC18	2203-006562	C-CER,CHIP;1000nF,10%,10V,X5R,TP,10	1	SNA	
R35	2007-000139	R-CHIP;220ohm,5%,1/16W,TP,1005	1	SNA		VR11	2007-008015	R-CHIP;75ohm,1%,1/16W,TP,1005	1	SNA	
R36	2007-000139	R-CHIP;220ohm,5%,1/16W,TP,1005	1	SNA		VR12	2007-008015	R-CHIP;75ohm,1%,1/16W,TP,1005	1	SNA	
						VR15	2007-008015	R-CHIP;75ohm,1%,1/16W,TP,1005	1	SNA	
R37	2007-000242	R-CHIP;1.5Kohm,5%,1/16W,TP,1005	1	SNA		VR17	2007-008015	R-CHIP;75ohm,1%,1/16W,TP,1005	1	SNA	
R38	2007-000242	R-CHIP;1.5Kohm,5%,1/16W,TP,1005	1	SNA							
R44	2007-000148	R-CHIP;10Kohm,5%,1/16W,TP,1005	1	SA		VR18	2007-008015	R-CHIP;75ohm,1%,1/16W,TP,1005	1	SNA	
R47	2007-000148	R-CHIP;10Kohm,5%,1/16W,TP,1005	1	SA		VR19	2007-008015	R-CHIP;75ohm,1%,1/16W,TP,1005	1	SNA	
R49	2007-000148	R-CHIP;10Kohm,5%,1/16W,TP,1005	1	SA		VR20	2007-008015	R-CHIP;75ohm,1%,1/16W,TP,1005	1	SNA	
						VR23	2007-008015	R-CHIP;75ohm,1%,1/16W,TP,1005	1	SNA	
R51	2007-000148	R-CHIP;10Kohm,5%,1/16W,TP,1005	1	SA		VR24	2007-007441	R-CHIP;562ohm,1%,1/10W,TP,1608	1	SNA	
R53	2007-000148	R-CHIP;10Kohm,5%,1/16W,TP,1005	1	SA							
R55	2007-000148	R-CHIP;10Kohm,5%,1/16W,TP,1005	1	SA		VR25	2007-000138	R-CHIP;100ohm,5%,1/16W,TP,1005	1	SNA	
R56	2007-000148	R-CHIP;10Kohm,5%,1/16W,TP,1005	1	SA		VR26	2007-000148	R-CHIP;10Kohm,5%,1/16W,TP,1005	1	SA	
R58	2007-000148	R-CHIP;10Kohm,5%,1/16W,TP,1005	1	SA		VR27	2007-008015	R-CHIP;75ohm,1%,1/16W,TP,1005	1	SNA	
						VR28	2007-008015	R-CHIP;75ohm,1%,1/16W,TP,1005	1	SNA	
R60	2007-000148	R-CHIP;10Kohm,5%,1/16W,TP,1005	1	SA		VR29	2007-008015	R-CHIP;75ohm,1%,1/16W,TP,1005	1	SNA	
R61	2007-000148	R-CHIP;10Kohm,5%,1/16W,TP,1005	1	SA							
R62	2007-000148	R-CHIP;10Kohm,5%,1/16W,TP,1005	1	SA		VR30	2007-008015	R-CHIP;75ohm,1%,1/16W,TP,1005	1	SNA	
R63	2007-000148	R-CHIP;10Kohm,5%,1/16W,TP,1005	1	SA		VR5	2007-007307	R-CHIP;150ohm,1%,1/16W,TP,1005	1	SNA	
R64	2007-000148	R-CHIP;10Kohm,5%,1/16W,TP,1005	1	SA		X-TAL1	2801-004655	CRYSTAL-SMD;25MHz,50ppm,SX-3,18pF,2	1	SA	
						X-TAL2	2801-004008	CRYSTAL-SMD;24MHz,20ppm,28-AAN,12pF	1	SA	
R66	2007-000148	R-CHIP;10Kohm,5%,1/16W,TP,1005	1	SA		Y1	2801-004284	CRYSTAL-SMD;27MHz,10PPM,28-AAN,20PF	1	SA	
R68	2007-000148	R-CHIP;10Kohm,5%,1/16W,TP,1005	1	SA							
R7	2007-000070	R-CHIP;0ohm,5%,1/10W,TP,1608	1	SNA		AK99-02247A	ASSY MANUAL INSERT;-BD-P3600/XEU,M	1	SNA		
R70	2007-000148	R-CHIP;10Kohm,5%,1/16W,TP,1005	1	SA		0202-001463	SOLDER-WIRE;LFC2-W3.0,-D3,99.79Sn/	0.566	SNA		
R72	2007-000148	R-CHIP;10Kohm,5%,1/16W,TP,1005	1	SA		0202-001492	SOLDER-WIRE FLUX;HSE-02 LFM48 SR-34	0.09	SNA		
						0204-002420	SOLVENT;1M-1000,C3H7OH,96	0.002	SNA		
R73	2007-000148	R-CHIP;10Kohm,5%,1/16W,TP,1005	1	SA		0204-002607	FLUX;DF-234U,13%,14KG,Gravity 0.82	2.332	SNA		
R74	2007-000148	R-CHIP;10Kohm,5%,1/16W,TP,1005	1	SA							
R75	2007-000138	R-CHIP;100ohm,5%,1/16W,TP,1005	1	SNA		AK99-02248A	ASSY SMD INSERT;-BD-P3600/XEU,MAIN	1	SNA		
R76	2007-000138	R-CHIP;100ohm,5%,1/16W,TP,1005	1	SNA		0202-001477	SOLDER-CREAM;LST309-M,D20-45um,96.5	3.1	SNA		
R80	2007-000171	R-CHIP;0ohm,5%,1/16W,TP,1005	1	SNA		AK41-00900A	PCB-MAIN;BD-P3600/XEF,EPOXY,4,00,T1	1	SNA		
R81	2007-000171	R-CHIP;0ohm,5%,1/16W,TP,1005	1	SNA							
R82	2007-000148	R-CHIP;10Kohm,5%,1/16W,TP,1005	1	SA		<b>P003 AK92-01887B</b>	<b>ASSY PCB SMPS;-BD-P3600/XEF,SMPS P</b>	<b>1</b>	<b>SA</b>		
R84	2007-001292	R-CHIP;33ohm,5%,1/16W,TP,1005	1	SNA		BD01	0402-000137	DIODE-RECTIFIER;1N4007,1KV,1A,DO-41	1	SNA	
R85	2007-001292	R-CHIP;33ohm,5%,1/16W,TP,1005	1	SNA		BD02	0402-000137	DIODE-RECTIFIER;1N4007,1KV,1A,DO-41	1	SNA	
R86	2007-001292	R-CHIP;33ohm,5%,1/16W,TP,1005	1	SNA		BD03	0402-000137	DIODE-RECTIFIER;1N4007,1KV,1A,DO-41	1	SNA	
						BD04	0402-000137	DIODE-RECTIFIER;1N4007,1KV,1A,DO-41	1	SNA	
R87	2007-000148	R-CHIP;10Kohm,5%,1/16W,TP,1005	1	SA							
R88	2007-000148	R-CHIP;10Kohm,5%,1/16W,TP,1005	1	SA		C1S01	2201-002044	C-CERAMIC,DISC;0.1NF,10%,400V,Y5P,T	1	SA	
R89	2007-000148	R-CHIP;10Kohm,5%,1/16W,TP,1005	1	SA		C1S02	2201-002044	C-CERAMIC,DISC;0.1NF,10%,400V,Y5P,T	1	SA	
R9	2007-000148	R-CHIP;10Kohm,5%,1/16W,TP,1005	1	SA		C1S03	2301-001220	C-FILM,LEAD-PPF;100nF,10%,275V,BK,1	1	SA	
R90	2007-000148	R-CHIP;10Kohm,5%,1/16W,TP,1005	1	SA		C1S04	2301-001220	C-FILM,LEAD-PPF;100nF,10%,275V,BK,1	1	SA	

Exploded Views and Parts List

Loc.No	Parts No.	Description : Specification	Q'ty	S.N.A	Remark	Loc.No	Parts No.	Description : Specification	Q'ty	S.N.A	Remark
C1S05	2401-003243	C-AL;150uF,20%,400V,WT,BK,25x30,10	1	SA		R1S39	2004-000869	R-METAL;3Kohm,1%,1/8W,AA,TP,1.8x3.2	1	SA	
C1S06	2201-000987	C-CERAMIC,DISC;2.2NF,20%,400V,Y5U,B	1	SA		R1S40	2004-000202	R-METAL;100ohm,1%,1/8W,AA,TP,1.8x3.	1	SNA	
C1S10	2305-001029	C-FILM,LEAD-PEF;10nF,10%,630V,TP,12	1	SA		R1S41	2001-000110	R-CARBON;10ohm,5%,1/4W,AA,TP,2.4x6.	1	SA	
C1S11	2201-002065	C-CERAMIC,DISC;47pF,10%,1KV,SL,TP,6	1	SA		R1S42	2001-000440	R-CARBON;1ohm,5%,1/8W,AA,TP,1.8x3.2	1	SA	
C1S12	2401-001583	C-AL;47uF,20%,50V,WT,TP,6.3x11,5	1	SA		VA1S01	1405-000186	VARIATOR;470V,2500A,17.5x7.5mm,TP	1	SA	
C1S14	2401-001340	C-AL;0.47uF,20%,50V,WT,TP,5X11,5	1	SA		ZD1P101	0403-000355	DIODE-ZENER,UZ5.1BSB,5-5.2V,500MW,D	1	SA	
C1S15	2301-001679	C-FILM,PEF;2.2nF,5%,50V,TP,5.8x3x7m	1	SA		ZD1S10	0403-000752	DIODE-ZENER,MTZJ22C,21.08-22.17V,50	1	SA	
C1S30	2401-001583	C-AL;47uF,20%,50V,WT,TP,6.3x11,5	1	SA		ZD1S11	0403-000720	DIODE-ZENER,MTZJ9.1B,8.57-9.01V,500	1	SA	
C1S31	2401-003028	C-AL;100uF,20%,25V,WT,TP,6.3x11,5	1	SA		ZD1S30	0403-000753	DIODE-ZENER,MTZJ27D,26.2-27.6V,500m	1	SA	
C1S32	2301-000383	C-FILM,LEAD-PEF;10nF,5%,50V,TP,6x7x	1	SA		AK99-02310A		ASSY MANUAL INSERT;-BD-P3600/XEF,S	1	SNA	
C1S33	2401-003549	C-AL;470uF,20%,25V,LZ,TP,10x16,5	1	SA		0202-001463		SOLDER-WIRE;LFC2-W3.0,-D3,99.79Sn/	2.78	SNA	
C1S34	2401-003028	C-AL;100uF,20%,25V,WT,TP,6.3x11,5	1	SA		0204-002420		SOLVENT;1M-1000,C3H7OH,96	0.002	SNA	
C1S35	2401-004052	C-AL;2200UF,20%,16V,-,TP,12.5X25,5	1	SNA		0204-002607		FLUX;DF-234U,13%,14KG,Gravity 0.82	1.862	SNA	
C1S36	2401-004052	C-AL;2200UF,20%,16V,-,TP,12.5X25,5	1	SNA		AK61-00956A		HOLDER-SMPS;BD-P3600,HIPS 94 V0,2.0	1	SNA	
C1S37	2401-003480	C-AL;1000UF,20%,10V,LZ,TP,10X16MM,5	1	SA		BN81-00199H		RESIN;HIPS HB,BK500,HF-1690H,K2901	0.045	SNA	
C1S38	2307-000103	C-FILM,LEAD-PCF;100nF,5%,50V,TP,-,5	1	SA		AK99-02312A		ASSY AUTO INSERT;-BD-P3600/XEF,SMP	1	SNA	
C1S39	2307-000103	C-FILM,LEAD-PCF;100nF,5%,50V,TP,-,5	1	SA		AK41-00851B		PCB-SMPS;BD-P1600/XEF SMPS,FR-1,1,0	1	SNA	
C1S40	2307-000103	C-FILM,LEAD-PCF;100nF,5%,50V,TP,-,5	1	SA		<b>P005 AK92-01868A</b>	<b>ASSY PCB FRONT;-BD-P3600,FRONT PCB</b>	<b>1</b>	<b>SA</b>		
C1S41	2201-000285	C-CERAMIC,DISC;1NF,10%,1KV,Y5P,TP,8	1	SA		C1	2202-000173	C-CERAMIC,MLC-AXIAL;1nF,10%,50V,Y5P	1	SA	
CN1S01	3711-000203	HEADER-BOARD TO CABLE;1WALL,2P/3P,1	1	SA		C2	2202-000797	C-CERAMIC,MLC-AXIAL;10NF,30%,16V,Y5	1	SA	
CN2	3711-006911	HEADER-BOARD TO BOARD;NOWALL,13P,1.	1	SA		C4	2202-000797	C-CERAMIC,MLC-AXIAL;10NF,30%,16V,Y5	1	SA	
D1S10	0402-000012	DIODE-RECTIFIER;UF4007,1000V,1A,DO-	1	SA		CON1	3708-001762	CONNECTOR-FPC/FFC/PIC;2P,1mm,ANGLE	1	SA	
D1S11	0402-000351	DIODE-RECTIFIER;1N4937,600V,1A,DO-4	1	SNA		CON1A	3809-002291	FFC CABLE-FLAT;30V,80C,150MM,22P,1.	1	SNA	
D1S30	0402-000351	DIODE-RECTIFIER;1N4937,600V,1A,DO-4	1	SNA		CON2	3708-002161	CONNECTOR-FPC/FFC/PIC;5P,1mm,ANGLE,	1	SA	
D1S31	0402-000351	DIODE-RECTIFIER;1N4937,600V,1A,DO-4	1	SNA		CON2A	3809-002310	FFC CABLE-FLAT;30V,80C,80mm,5P,1.0m	1	SNA	
D1S32	0402-001624	DIODE-RECTIFIER;SF26,400V,2A,DO-15,	1	SA		CON3	3708-002161	CONNECTOR-FPC/FFC/PIC;5P,1mm,ANGLE,	1	SA	
D1S33	0402-001624	DIODE-RECTIFIER;SF26,400V,2A,DO-15,	1	SA		CON3A	3809-002290	FFC CABLE-FLAT;30V,80C,30mm,5P,1.0m	1	SNA	
D1S35	0404-001234	DIODE-SCHOTTKY;SHK65-45,60V,3000mA,	1	SA		E1	2401-001502	C-AL;47uF,20%,16V,GP,TP,6.3x5,2.5	1	SA	
D1S36	0404-001234	DIODE-SCHOTTKY;SHK65-45,60V,3000mA,	1	SA		E2	2401-001502	C-AL;47uF,20%,16V,GP,TP,6.3x5,2.5	1	SA	
D1S37	0404-001234	DIODE-SCHOTTKY;SHK65-45,60V,3000mA,	1	SA		IR1	0609-001202	MODULE REMOCON;HORIZONTAL,12.4mm,TR	1	SA	
D1S38	0404-001234	DIODE-SCHOTTKY;SHK65-45,60V,3000mA,	1	SA		R1	2001-001000	R-CARBON;82Kohm,5%,1/8W,AA,TP,1.8x3	1	SA	
D1S39	0404-001234	DIODE-SCHOTTKY;SHK65-45,60V,3000mA,	1	SA		R2	2001-000273	R-CARBON;100Kohm,5%,1/8W,AA,TP,1.8x	1	SA	
F1S01	3601-000383	FUSE-CARTRIDGE;250V,2.5A,TIME-LAG,C	1	SA		R3	2001-000793	R-CARBON;47ohm,5%,1/8W,AA,TP,1.8x3.	1	SA	
IC1P101	1203-002183	IC-SWITCH VOL. REG.;Z78R12,TO-220F-	1	SA		R4	2001-000780	R-CARBON;470ohm,5%,1/8W,AA,TP,1.8x3	1	SA	
IC1S01	1203-005401	IC-PWM CONTROLLER;ICE3BR0665J,DIP,8	1	SA		R5	2001-000027	R-CARBON;100ohm,5%,1/4W,AA,TP,2.4x6	1	SA	
IC1S02	0604-001028	PHOTO-COUPLER;TR,50-600%,250mW,DIP-	1	SC		R6	2001-000027	R-CARBON;100ohm,5%,1/4W,AA,TP,2.4x6	1	SA	
IC1S03	AC14-12006D	IC;KA431Z,TO-92,TAPING	1	SA		VFD1	AK07-00071A	VF DISPLAY;HNV-07SS79,BD-P4600,W85.	1	SA	
J21	3811-001868	WIRE-NO SHEATH CU;SnCuFe,52mm,GRY	1	SNA		VFD1A	AK61-00871A	HOLDER-VFD;BD-P1600,HIPS V2,T1,W93,	1	SNA	
J24	3811-001868	WIRE-NO SHEATH CU;SnCuFe,52mm,GRY	1	SNA		VFD2	1003-002176	IC-VFD;MC3401,LQFP,44P,10x10mm,-40m	1	SA	
L1S01	AK29-00004A	FILTER LINE NOISE;BD-P1600,SQ2116,2	1	SA		ZD1	0403-000718	DIODE-ZENER,MTZJ6.8B,6.52-6.79V,500	1	SA	
L1S02	AK29-00004A	FILTER LINE NOISE;BD-P1600,SQ2116,2	1	SA		AK99-01963A		ASSY MANUAL INSERT;-BD-P3600,FRONT	1	SNA	
L1S10	AC27-92001M	COIL-INDUCTOR;RH3,5x6.5RS,BEAD(RADI	1	SC		0202-001463		SOLDER-WIRE;LFC2-W3.0,-D3,99.79Sn/	1.167	SNA	
L1S30	AK27-00008A	COIL CHOKER;BAR5*20,BD-P1600,5.5uH,2	1	SA		0204-002420		SOLVENT;1M-1000,C3H7OH,96	0.001	SNA	
L1S31	3301-000297	BEAD-AXIAL;25ohm,3.6x1.2x5.7mm,-,TP	1	SA		0204-002607		FLUX;DF-234U,13%,14KG,Gravity 0.82	0.903	SNA	
L1S32	3301-000297	BEAD-AXIAL;25ohm,3.6x1.2x5.7mm,-,TP	1	SA		AK99-01964A		ASSY SMD INSERT;-BD-P3600,FRONT PC	1	SNA	
PF1S	3602-000103	FUSE-CLIP;-,-,10mohm	1	SNA		AK99-01965A		ASSY AUTO INSERT;-BD-P3600,FRONT P	1	SNA	
PF2S	3602-000103	FUSE-CLIP;-,-,10mohm	1	SNA		AK41-00913A		PCB-FRONT_VFD;BD-P3600,PHENOL,1,00,	0.33	SNA	
PT01	AK26-00040A	TRANS SWITCHING;BD-P1600,120V,J2A(J	1	SA		<b>P007 AK92-01866A</b>	<b>ASSY PCB SUB-USB;-BD-P3600,USB SUB</b>	<b>1</b>	<b>SA</b>		
R1P101	2001-000429	R-CARBON;1Kohm,5%,1/8W,AA,TP,1.8x3.	1	SA		CON1	3708-001928	CONNECTOR-FPC/FFC/PIC;5P,1mm,STRAIG	1	SA	
R1P102	2001-000290	R-CARBON;10Kohm,5%,1/8W,AA,TP,1.8x3	1	SA		USBJACK3722-002683		JACK-USB;4P1C,AU,BLACK,STRAIGHT,A	1	SA	
R1S01	2002-001115	R-COMPOSITION;1.5Mohm,5%,1/2W,AA,TP	1	SA		AK99-01955A		ASSY MANUAL INSERT-USB;-BD-P3600,U	1	SNA	
R1S02	1404-001361	THERMISTOR-NTC;3ohm,4A,-,35mW/C,0uF	1	SA		AK41-00911A		PCB-USB;BD-P3600,PHENOL,1,00,T1,6,1	0.06	SNA	
R1S10	2003-000011	R-METAL OXIDE(S);68Kohm,5%,3W,AA,TP	1	SA		<b>P007P AK92-01867A</b>	<b>ASSY PCB SUB-7.1CH;-BD-P3600,7.1CH</b>	<b>1</b>	<b>SA</b>		
R1S11	2001-000527	R-CARBON;22ohm,5%,1/8W,AA,TP,1.8x3.	1	SA		AJ1	3722-002783	JACK-PIN;6P,Silver/Nickel,Rx2,Br,G	1	SA	
R1S13	2003-002284	R-METAL OXIDE;0.56ohm,5%,2W,AF,TP,3	1	SA		AJ2	3722-002769	JACK-PIN;2P,Silver/Nickel,Red/White	1	SA	
R1S14	2001-000527	R-CARBON;22ohm,5%,1/8W,AA,TP,1.8x3.	1	SA		C1	2203-006048	C-CER,CHIP;100nF,10%,10V,X7R,1005	1	SA	
R1S30	2001-000038	R-CARBON;390ohm,5%,1/4W,AA,TP,2.4x6	1	SA		C10	2203-006324	C-CER,CHIP;2200nF,10%,10V,X5R,1608	1	SNA	
R1S32	2001-000440	R-CARBON;1ohm,5%,1/8W,AA,TP,1.8x3.2	1	SA							
R1S33	3811-001868	WIRE-NO SHEATH CU;SnCuFe,52mm,GRY	1	SNA							
R1S35	2001-000924	R-CARBON;680ohm,5%,1/8W,AA,TP,1.8x3	1	SA							
R1S36	2001-000924	R-CARBON;680ohm,5%,1/8W,AA,TP,1.8x3	1	SA							
R1S37	2001-000924	R-CARBON;680ohm,5%,1/8W,AA,TP,1.8x3	1	SA							
R1S38	2004-000869	R-METAL;3Kohm,1%,1/8W,AA,TP,1.8x3.2	1	SA							



Loc.No	Parts No.	Description : Specification	Q'ty	S.N.A	Remark	Loc.No	Parts No.	Description : Specification	Q'ty	S.N.A	Remark
C11	2203-006048	C-CER,CHIP;100nF,10%,10V,X7R,1005	1	SA		Q3	0501-000341	TR-SMALL SIGNAL;KSC1623-L,NPN,200mW	1	SNA	
C12	2203-001397	C-CER,CHIP;2.2nF,5%,50V,NP0,1608	1	SA		Q4	0501-000341	TR-SMALL SIGNAL;KSC1623-L,NPN,200mW	1	SNA	
C13	2203-001397	C-CER,CHIP;2.2nF,5%,50V,NP0,1608	1	SA		Q5	0501-000341	TR-SMALL SIGNAL;KSC1623-L,NPN,200mW	1	SNA	
C14	2203-006048	C-CER,CHIP;100nF,10%,10V,X7R,1005	1	SA		Q6	0501-000341	TR-SMALL SIGNAL;KSC1623-L,NPN,200mW	1	SNA	
C15	2203-006048	C-CER,CHIP;100nF,10%,10V,X7R,1005	1	SA		Q7	0501-000341	TR-SMALL SIGNAL;KSC1623-L,NPN,200mW	1	SNA	
C16	2203-006324	C-CER,CHIP;2200nF,10%,10V,X5R,1608	1	SNA		Q8	0501-000341	TR-SMALL SIGNAL;KSC1623-L,NPN,200mW	1	SNA	
C17	2203-006324	C-CER,CHIP;2200nF,10%,10V,X5R,1608	1	SNA		R1	2007-000148	R-CHIP;10Kohm,5%,1/16W,TP,1005	1	SA	
C18	2203-006048	C-CER,CHIP;100nF,10%,10V,X7R,1005	1	SA		R10	2007-000143	R-CHIP;4.7Kohm,5%,1/16W,TP,1005	1	SNA	
C19	2203-006324	C-CER,CHIP;2200nF,10%,10V,X5R,1608	1	SNA		R11	2007-001292	R-CHIP;33ohm,5%,1/16W,TP,1005	1	SNA	
C2	2203-006048	C-CER,CHIP;100nF,10%,10V,X7R,1005	1	SA		R12	2007-001292	R-CHIP;33ohm,5%,1/16W,TP,1005	1	SNA	
C20	2203-006324	C-CER,CHIP;2200nF,10%,10V,X5R,1608	1	SNA		R13	2007-001292	R-CHIP;33ohm,5%,1/16W,TP,1005	1	SNA	
C21	2203-006474	C-CER,CHIP;2200nF,20%,6.3V,X5R,201	1	SA		R14	2007-001292	R-CHIP;33ohm,5%,1/16W,TP,1005	1	SNA	
C22	2203-006048	C-CER,CHIP;100nF,10%,10V,X7R,1005	1	SA		R15	2007-000143	R-CHIP;4.7Kohm,5%,1/16W,TP,1005	1	SNA	
C23	2203-006324	C-CER,CHIP;2200nF,10%,10V,X5R,1608	1	SNA		R16	2007-000143	R-CHIP;4.7Kohm,5%,1/16W,TP,1005	1	SNA	
C24	2203-006048	C-CER,CHIP;100nF,10%,10V,X7R,1005	1	SA		R17	2007-007441	R-CHIP;562ohm,1%,1/10W,TP,1608	1	SNA	
C25	2203-001397	C-CER,CHIP;2.2nF,5%,50V,NP0,1608	1	SA		R18	2007-007441	R-CHIP;562ohm,1%,1/10W,TP,1608	1	SNA	
C26	2203-001397	C-CER,CHIP;2.2nF,5%,50V,NP0,1608	1	SA		R19	2007-000140	R-CHIP;1Kohm,5%,1/16W,TP,1005	1	SNA	
C27	2203-006048	C-CER,CHIP;100nF,10%,10V,X7R,1005	1	SA		R2	2007-000148	R-CHIP;10Kohm,5%,1/16W,TP,1005	1	SA	
C28	2203-006048	C-CER,CHIP;100nF,10%,10V,X7R,1005	1	SA		R20	2007-000140	R-CHIP;1Kohm,5%,1/16W,TP,1005	1	SNA	
C29	2203-006324	C-CER,CHIP;2200nF,10%,10V,X5R,1608	1	SNA		R21	2007-000143	R-CHIP;4.7Kohm,5%,1/16W,TP,1005	1	SNA	
C3	2203-006324	C-CER,CHIP;2200nF,10%,10V,X5R,1608	1	SNA		R22	2007-001292	R-CHIP;33ohm,5%,1/16W,TP,1005	1	SNA	
C30	2203-006324	C-CER,CHIP;2200nF,10%,10V,X5R,1608	1	SNA		R23	2007-001292	R-CHIP;33ohm,5%,1/16W,TP,1005	1	SNA	
C31	2203-006048	C-CER,CHIP;100nF,10%,10V,X7R,1005	1	SA		R24	2007-001292	R-CHIP;33ohm,5%,1/16W,TP,1005	1	SNA	
C32	2203-006324	C-CER,CHIP;2200nF,10%,10V,X5R,1608	1	SNA		R25	2007-001292	R-CHIP;33ohm,5%,1/16W,TP,1005	1	SNA	
C33	2203-006324	C-CER,CHIP;2200nF,10%,10V,X5R,1608	1	SNA		R26	2007-000143	R-CHIP;4.7Kohm,5%,1/16W,TP,1005	1	SNA	
C34	2203-006474	C-CER,CHIP;2200nF,20%,6.3V,X5R,201	1	SA		R27	2007-000143	R-CHIP;4.7Kohm,5%,1/16W,TP,1005	1	SNA	
C35	2203-006048	C-CER,CHIP;100nF,10%,10V,X7R,1005	1	SA		R28	2007-007441	R-CHIP;562ohm,1%,1/10W,TP,1608	1	SNA	
C36	2203-006324	C-CER,CHIP;2200nF,10%,10V,X5R,1608	1	SNA		R29	2007-007441	R-CHIP;562ohm,1%,1/10W,TP,1608	1	SNA	
C37	2203-006048	C-CER,CHIP;100nF,10%,10V,X7R,1005	1	SA		R3	2007-000148	R-CHIP;10Kohm,5%,1/16W,TP,1005	1	SA	
C38	2203-001397	C-CER,CHIP;2.2nF,5%,50V,NP0,1608	1	SA		R30	2007-000140	R-CHIP;1Kohm,5%,1/16W,TP,1005	1	SNA	
C39	2203-001397	C-CER,CHIP;2.2nF,5%,50V,NP0,1608	1	SA		R31	2007-000140	R-CHIP;1Kohm,5%,1/16W,TP,1005	1	SNA	
C4	2203-006324	C-CER,CHIP;2200nF,10%,10V,X5R,1608	1	SNA		R32	2007-000143	R-CHIP;4.7Kohm,5%,1/16W,TP,1005	1	SNA	
C40	2203-006048	C-CER,CHIP;100nF,10%,10V,X7R,1005	1	SA		R33	2007-001292	R-CHIP;33ohm,5%,1/16W,TP,1005	1	SNA	
C41	2203-006048	C-CER,CHIP;100nF,10%,10V,X7R,1005	1	SA		R34	2007-001292	R-CHIP;33ohm,5%,1/16W,TP,1005	1	SNA	
C42	2203-006324	C-CER,CHIP;2200nF,10%,10V,X5R,1608	1	SNA		R35	2007-001292	R-CHIP;33ohm,5%,1/16W,TP,1005	1	SNA	
C43	2203-006324	C-CER,CHIP;2200nF,10%,10V,X5R,1608	1	SNA		R36	2007-001292	R-CHIP;33ohm,5%,1/16W,TP,1005	1	SNA	
C44	2203-006048	C-CER,CHIP;100nF,10%,10V,X7R,1005	1	SA		R37	2007-000143	R-CHIP;4.7Kohm,5%,1/16W,TP,1005	1	SNA	
C45	2203-006324	C-CER,CHIP;2200nF,10%,10V,X5R,1608	1	SNA		R38	2007-000143	R-CHIP;4.7Kohm,5%,1/16W,TP,1005	1	SNA	
C46	2203-006324	C-CER,CHIP;2200nF,10%,10V,X5R,1608	1	SNA		R39	2007-007441	R-CHIP;562ohm,1%,1/10W,TP,1608	1	SNA	
C47	2203-006474	C-CER,CHIP;2200nF,20%,6.3V,X5R,201	1	SA		R4	2007-000148	R-CHIP;10Kohm,5%,1/16W,TP,1005	1	SA	
C48	2203-006048	C-CER,CHIP;100nF,10%,10V,X7R,1005	1	SA		R40	2007-007441	R-CHIP;562ohm,1%,1/10W,TP,1608	1	SNA	
C49	2203-006324	C-CER,CHIP;2200nF,10%,10V,X5R,1608	1	SNA		R41	2007-000140	R-CHIP;1Kohm,5%,1/16W,TP,1005	1	SNA	
C5	2203-006048	C-CER,CHIP;100nF,10%,10V,X7R,1005	1	SA		R42	2007-000140	R-CHIP;1Kohm,5%,1/16W,TP,1005	1	SNA	
C50	2203-006048	C-CER,CHIP;100nF,10%,10V,X7R,1005	1	SA		R43	2007-001292	R-CHIP;33ohm,5%,1/16W,TP,1005	1	SNA	
C51	2203-001397	C-CER,CHIP;2.2nF,5%,50V,NP0,1608	1	SA		R44	2007-001292	R-CHIP;33ohm,5%,1/16W,TP,1005	1	SNA	
C52	2203-001397	C-CER,CHIP;2.2nF,5%,50V,NP0,1608	1	SA		R45	2007-001292	R-CHIP;33ohm,5%,1/16W,TP,1005	1	SNA	
C53	2203-006474	C-CER,CHIP;2200nF,20%,6.3V,X5R,201	1	SA		R46	2007-001292	R-CHIP;33ohm,5%,1/16W,TP,1005	1	SNA	
C6	2203-006324	C-CER,CHIP;2200nF,10%,10V,X5R,1608	1	SNA		R47	2007-000143	R-CHIP;4.7Kohm,5%,1/16W,TP,1005	1	SNA	
C7	2203-006324	C-CER,CHIP;2200nF,10%,10V,X5R,1608	1	SNA		R48	2007-000143	R-CHIP;4.7Kohm,5%,1/16W,TP,1005	1	SNA	
C8	2203-006474	C-CER,CHIP;2200nF,20%,6.3V,X5R,201	1	SA		R49	2007-000143	R-CHIP;4.7Kohm,5%,1/16W,TP,1005	1	SNA	
C9	2203-006048	C-CER,CHIP;100nF,10%,10V,X7R,1005	1	SA		R5	2007-000148	R-CHIP;10Kohm,5%,1/16W,TP,1005	1	SA	
CN1	3708-001837	CONNECTOR-FPC/FPC/PIC;15P,1mm,SMD-S	1	SNA		R50	2007-007441	R-CHIP;562ohm,1%,1/10W,TP,1608	1	SNA	
CN1A	3809-002292	FFC CABLE-FLAT;30V,80C,80MM,15P,1.0	1	SNA		R51	2007-007441	R-CHIP;562ohm,1%,1/10W,TP,1608	1	SNA	
CN2	3711-000820	HEADER-BOARD TO CABLE;BOX,2P,1R,2.5	1	SNA		R52	2007-000140	R-CHIP;1Kohm,5%,1/16W,TP,1005	1	SNA	
IC1	1002-001581	IC-D/A CONVERTER;CS4353-CNZR,24,QFN	1	SNA		R53	2007-000140	R-CHIP;1Kohm,5%,1/16W,TP,1005	1	SNA	
IC2	1002-001581	IC-D/A CONVERTER;CS4353-CNZR,24,QFN	1	SNA		R6	2007-000148	R-CHIP;10Kohm,5%,1/16W,TP,1005	1	SA	
IC3	1002-001581	IC-D/A CONVERTER;CS4353-CNZR,24,QFN	1	SNA		R7	2007-000148	R-CHIP;10Kohm,5%,1/16W,TP,1005	1	SA	
IC4	1002-001581	IC-D/A CONVERTER;CS4353-CNZR,24,QFN	1	SNA		R8	2007-000148	R-CHIP;10Kohm,5%,1/16W,TP,1005	1	SA	
L1	2007-000033	R-CHIP;0ohm,5%,1/4W,TP,3216	1	SNA		AK99-01959A	ASSY MANUAL INSERT-7.1CH;-BD-P3600	1	SNA		
L2	2007-000033	R-CHIP;0ohm,5%,1/4W,TP,3216	1	SNA		0202-001463	SOLDER-WIRE;LFC2-W3.0;-D3,99.79Sn/	0.13	SNA		
L3	2007-000033	R-CHIP;0ohm,5%,1/4W,TP,3216	1	SNA		0202-001477	SOLDER-CREAM;LST309-M.D20-45um,96.5	0.375	SNA		
L4	2007-000033	R-CHIP;0ohm,5%,1/4W,TP,3216	1	SNA		0202-001492	SOLDER-WIRE FLUX;HSE-02 LFM48 SR-34	0.952	SNA		
Q1	0501-000341	TR-SMALL SIGNAL;KSC1623-L,NPN,200mW	1	SNA		0204-002420	SOLVENT;1M-1000,C3H7HO,96	0.00049	SNA		
Q2	0501-000341	TR-SMALL SIGNAL;KSC1623-L,NPN,200mW	1	SNA							

Exploded Views and Parts List

Loc.No	Parts No.	Description : Specification	Q'ty	S.N.A	Remark	Loc.No	Parts No.	Description : Specification	Q'ty	S.N.A	Remark
	0204-002607	FLUX,DF-234U,13%,14KG,Gravity 0.82	0.469	SNA		S.N.A	3708-002018	CONNECTOR-FPC/FPC/PIC;4P,1MM,SMD-A	1	SA	
	AK99-01960A	ASSY SMD INSERT-7.1CH,-,BD-P3600,7.	1	SNA		S.N.A	3708-002067	CONNECTOR-FPC/FPC/PIC;12P,1mm,SMD-A	1	SA	
	AK41-00912A	PCB-AUDIO;BD-P3600,FR-1,2,00,T1.6,1	0.33	SNA		S.N.A	AK41-00892A	FFC-DECK CABLE;BD-P1600,1.0 PITCH,2	1	SNA	
						S.N.A	AK41-00893A	PCB-RELAY;BD-P1600,PHENOL,00,T1.6	1	SNA	
						S.N.A	AK63-00548A	COVER-UPPER;BD-P1600,ABS,W139,L175	1	SNA	
						S.N.A	AK97-01331C	ASSY-CLAMPER;POM+SECC,BD-P4,-,-	1	SNA	
						S.N.A	AK61-00739A	BRACKET-CLAMPER;DP-R3,5L,SECC T0.6	1	SNA	
<b>PO055 AK94-00166A</b>	<b>ASSY PCB KEY-TOUCH;BD-P3600/KEY,TOU</b>	<b>1 SA</b>				S.N.A	AK61-00858A	BODY-CLAMPER UPPER;BD-P4,POM	1	SNA	
SC1	2203-000386	C-CER,CHIP;0.015nF,5%,50V,COG,1005	1	SA		S.N.A	6001-001003	SCREW-MACHINE;BH,+,M2.6,L6,ZPC(BLK)	4	SA	
SC10	2203-000386	C-CER,CHIP;0.015nF,5%,50V,COG,1005	1	SA		S.N.A	6001-001370	SCREW-MACHINE;CH,+,M1.7,L3.0,ZPC(YE)	3	SA	
SC11	2203-000386	C-CER,CHIP;0.015nF,5%,50V,COG,1005	1	SA		S.N.A	6003-001450	SCREW-TAPTTYPE;PH,+,S,M2.6,L5,ZPC(	2	SA	
SC12	2203-000386	C-CER,CHIP;0.015nF,5%,50V,COG,1005	1	SA		S.N.A	AH61-50327A	SHAFT-PU;DP-3,SUS,L84.7,OD3,WHT	1	SA	
SC13	2203-002709	C-CER,CHIP;100nF,+80-20%,16V,Y5V,10	1	SA		S.N.A	AK31-00024A	MOTOR STEP-FEED;DP-RW,727 mA,2000 p	1	SNA	
SC14	2203-000679	C-CER,CHIP;0.027nF,5%,50V,COG,1005	1	SNA		S.N.A	AK31-00036A	MOTOR SPINDLE;BD-P2,8500,9.8mNm,DC	1	SA	
SC2	2203-000386	C-CER,CHIP;0.015nF,5%,50V,COG,1005	1	SA		S.N.A	AK61-00736A	BRACKET-SHAFT PU;DP-R3.5,SUS T1.0	3	SA	
SC3	2203-002709	C-CER,CHIP;100nF,+80-20%,16V,Y5V,10	1	SA		S.N.A	AK61-00907A	BRACKET-DECK;BD-P1600,SECC T1.2,W11	1	SNA	
SC4	2203-002709	C-CER,CHIP;100nF,+80-20%,16V,Y5V,10	1	SA		S.N.A	AK66-00050A	SHAFT-PU L98;BD-P,SUS420J2,L98,OD3,	1	SNA	
SC5	2203-002709	C-CER,CHIP;100nF,+80-20%,16V,Y5V,10	1	SA		S.N.A	AK73-00053A	RUBBER-DECK;DP-R4,BD-P4,BD-P5,BUTYL	4	SNA	
SC6	2203-002709	C-CER,CHIP;100nF,+80-20%,16V,Y5V,10	1	SA		S.N.A	AK61-00452A	SPRING ETC-HINGE PU;DP-R2,SUS304WPB	1	SNA	
SC7	2203-002709	C-CER,CHIP;100nF,+80-20%,16V,Y5V,10	1	SA		S.N.A	AK61-00906A	HINGE-PU;BD-P1600,POM,T8,W16,L37.9	1	SNA	
SC8	2203-002709	C-CER,CHIP;100nF,+80-20%,16V,Y5V,10	1	SA		S.N.A	6001-001730	SCREW-MACHINE;BH,+,M1.7,L2.5,ZPC(WH	2	SA	
SC9	2203-000386	C-CER,CHIP;0.015nF,5%,50V,COG,1005	1	SA		S.N.A	6602-001076	BELT-RECTANGULAR;CR,T1.2,4.3%,1.2X2	1	SNA	
SCON1	3708-002176	CONNECTOR-FPC/FPC/PIC;5P,1mm,SMD-A,	1	SA		S.N.A	AK61-00905A	FRAME-MAIN;BD-P1600,ABS,BLACK	1	SNA	
SD1	0401-001049	DIODE-SWITCHING;LS4148,75V,150mA,SO	1	SA		S.N.A	AK63-00549A	TRAY-DISC;BD-P2600,ABS,W123,L173.5	1	SNA	
SD2	0401-001049	DIODE-SWITCHING;LS4148,75V,150mA,SO	1	SA		S.N.A	AK64-02345A	CHASSIS-SUB;BD-P1600,ABS,W125,L58.6	1	SNA	
SD3	0401-001049	DIODE-SWITCHING;LS4148,75V,150mA,SO	1	SA		S.N.A	AK66-00061A	GEAR-PULLEY;DP-RW,POM,0.5,6.62,13.7,	1	SNA	
SD4	0401-001049	DIODE-SWITCHING;LS4148,75V,150mA,SO	1	SA		S.N.A	AK66-00062A	GEAR-TRAY;DP-RW,POM,0.5,6.62,13.7,	1	SNA	
SD5	0401-001049	DIODE-SWITCHING;LS4148,75V,150mA,SO	1	SA		S.N.A	AK66-00149A	SLIDER-CAM;BD-P1600,POM,W98.2,L27.1	1	SNA	
SD6	0401-001049	DIODE-SWITCHING;LS4148,75V,150mA,SO	1	SA		S.N.A	AK92-01835A	ASSY PCB MOTOR,-,BD-P5,-,-	1	SNA	
SR1	2007-000152	R-CHIP;20Kohm,5%,1/16W,TP,1005	1	SNA		S.N.A	3409-001201	SWITCH-LEVER;5V,1mA,2.72deg	1	SNA	
SR10	2007-000152	R-CHIP;20Kohm,5%,1/16W,TP,1005	1	SNA		S.N.A	AK41-00887A	FFC-DECK;BD-P1600,PET,6P,T0.11	1	SNA	
SR11	2007-000152	R-CHIP;20Kohm,5%,1/16W,TP,1005	1	SNA		S.N.A	AK41-00888A	PCB-DECK;BD-P1600,PHENOL,00,T1.6	1	SNA	
SR12	2007-000152	R-CHIP;20Kohm,5%,1/16W,TP,1005	1	SNA		S.N.A	AK96-01021A	ASSY MOTOR-LOAD;BD-P5,MOTOR+POM,-,-	1	SNA	
SR13	2007-000152	R-CHIP;20Kohm,5%,1/16W,TP,1005	1	SNA		S.N.A	AH31-00053A	MOTOR DC-LOADING;JQ24-35H440,2190±	1	SNA	
SR14	2007-000173	R-CHIP;22ohm,5%,1/16W,TP,1005	1	SA		S.N.A	AK66-00038A	PULLEY MOTOR;DP-R1,POM,BLK,1.95,7.4	1	SNA	
SR16	2007-000171	R-CHIP;0ohm,5%,1/16W,TP,1005	1	SNA			0201-000169	ADHESIVE-CYA;ARCN-A501F,NTR	0.00001	SNA	
SR2	2007-000152	R-CHIP;20Kohm,5%,1/16W,TP,1005	1	SNA			0201-001081	ADHESIVE-AA;1401C,RED,-,BOND-LOCK S	0.01	SNA	
SR3	2007-003012	R-CHIP;2.2Mohm,5%,1/16W,TP,1005	1	SNA			0201-001525	ADHESIVE-UV;8840L,YEL,TRANS,23000,D	0.00002	SNA	
SR4	2007-003012	R-CHIP;2.2Mohm,5%,1/16W,TP,1005	1	SNA			0201-001819	ADHESIVE-UV;8833M,YELLOW,21000mPas,	0.06	SNA	
SR5	2007-001329	R-CHIP;7.5Kohm,5%,1/16W,TP,1005	1	SA			0202-001499	SOLDER-WIRE FLUX;SR34 SUPER LFM-48,	0.05	SNA	
SR6	2007-003012	R-CHIP;2.2Mohm,5%,1/16W,TP,1005	1	SNA			AK97-02207A	ASSY ACT;SOH-BP4,BD-PLAYER,-,-	1	SNA	
SR7	2007-003012	R-CHIP;2.2Mohm,5%,1/16W,TP,1005	1	SNA			0201-001081	ADHESIVE-AA;1401C,RED,-,BOND-LOCK S	0.005	SNA	
SR8	2007-003012	R-CHIP;2.2Mohm,5%,1/16W,TP,1005	1	SNA			0201-001230	ADHESIVE-CYA;LOCTITE 480,BLK,300,-	0.005	SNA	
SR9	2007-003012	R-CHIP;2.2Mohm,5%,1/16W,TP,1005	1	SNA			0201-001371	ADHESIVE-SIL;KE3494,GRAY,50 PA,OL P	0.005	SNA	
SU1	1209-001851	IC-SENSOR;MST08S16,SOP,16P,9.9x3.9m	1	SNA			0201-001525	ADHESIVE-UV;8840L,YEL,TRANS,23000,D	0.00005	SNA	
TC1	2203-007133	C-CER,CHIP;1000nF,10%,16V,X5R,TP,2	1	SNA			0201-001537	ADHESIVE-UV;SDM-378,WHT,11000mPas,-	0.05	SNA	
	AK97-02834A	ASSY SMD-TOUCH;AK94-00166A	1	SNA			0201-001709	ADHESIVE-UV;8839L,YEL,24500mPa.s,-	0.00001	SNA	
	0202-001477	SOLDER-CREAM;LST309-M,D20-45um,96.5	0.1	SNA			0201-001793	ADHESIVE-UV;8791L3,WHITE,20000mPa.s	0.01	SNA	
	AK41-00910A	PCB-TOUCH;BD-P3600,FR-4,2,00,T1.6,1	0.13	SNA			0202-001499	SOLDER-WIRE FLUX;SR34 SUPER LFM-48,	1	SNA	
	AK97-02835A	ASSY MANUAL INSERT-TOUCH;BD-P3600/X	1	SNA			3302-001727	MAGNET-RARE EARTH;14400Gauss,50MGOe	2	SNA	
	AK74-01003A	TAPE-DOUBLE ADHESIVE;BD-P3600,D/TAP	1	SNA			3812-001419	WIRE-NO SHEATH CU;SUC,0V,18.5mm,1/0	2	SNA	
							3812-001456	WIRE-NO SHEATH CU;SUC,18.5,YELLOW	4	SNA	
<b>H006 AK90-00003A</b>	<b>ASSY DECK;BD-P5,P3600/KEY</b>	<b>1 SA</b>				6001-001291	SCREW-MACHINE;CH(0.5);-,M1.7,L4,Z	2	SA		
900	6003-001449	SCREW-TAPTTYPE;BH,+,B,M2.6,L6,NI PLT	4	SA		AK61-00840A	HOLDER-WIRE;SOH-BP4,PPS,W13.8,L8.45	1	SNA		
901	6003-001199	SCREW-TAPTTYPE;PWH,+,+,B,M2.L7,ZPC(W	4	SA		AK62-00022A	YOKE-ACT;SOH-BP4,SPCC,T1.2,W16.8,L2	1	SNA		
H100	AK97-02460A	ASSY FRAME-MAIN;ASSY,BD-P1600,-,-	1	SA		AK63-00506A	COVER-ACT;SOH-BP4,SUS304,T0.3,W14.4	1	SNA		
H200	AK96-01014A	ASSY COVER;BD-P1600,-,-,-	1	SA		AK67-00046A	LENS-PHOE;SOH-BP1,B270,NTR,3.5*3.5,	1	SNA		
H300	AK96-01024A	ASSY TRAVERSE;BD-P5,-,-,-	1	SA		AK67-00050A	LENS-OL DVD CD;SOH-BP1,PLASTIC,NTR,	1	SNA		
H301	AK61-00736A	BRACKET-SHAFT PU;DP-R3.5,SUS T1.0	1	SA		AK67-00064A	LENS-OL BD;SOH-BP1,GLASS,NTR,PI4.4,	1	SNA		
H400	AK96-01025A	ASSY-HINGE PU;BD-P5,-,-,-	1	SA		AK97-02181A	ASSY BLADE;SOH-BP4,-,-,-	1	SNA		
H401	6002-001086	SCREW-TAPPING;PH,+,B,M1.7,L5.0,ZPC(	1	SA		AK66-00127A	BLADE;SOH-BP4,E5006L,BEIGE	1	SNA		
H500	AK92-01849A	ASSY PCB-RELAY;BD-P5A,BD-P1600,-,-	1	SA		AK97-02419A	ASSY-OPT;SOH-BP4 VE,BD-PLAYER,-,-	1	SNA		
H501	AK41-00890A	FFC-PU CABLE;BD-P1600,B TYPE,0.5 PI	1	SA			0201-001081	ADHESIVE-AA;1401C,RED,-,BOND-LOCK S	0.01	SNA	
PICKUP	AK97-02420A	ASSY PICK UP;SOH-BP4 VE,BD-PLAYER,-	1	SA							
S.N.A	3708-001878	CONNECTOR-FPC/FPC/PIC;6P,1mm,SMD-A,	1	SA							

Loc.No	Parts No.	Description : Specification	Q'ty	S.N.A	Remark	Loc.No	Parts No.	Description : Specification	Q'ty	S.N.A	Remark
	0201-001388	ADHESIVE-CYA;LOCTITE 460,WHT,45 MPA	0.005	SNA							
	0201-001525	ADHESIVE-UV;8840L,YEL,TRANS,23000,D	0.00002	SNA							
	0201-001709	ADHESIVE-UV;8839L,YEL,24500mPa.s,-	0.00001	SNA							
	0201-001819	ADHESIVE-UV;8833M,YELLOW,21000mPas,	0.04	SNA							
	0201-001988	ADHESIVE-AA;EX-0136,WHT,20000-40000	0.00005	SNA							
	0201-002022	ADHESIVE-UV;8833G,YELLOW,26000mPa.s	0.02	SNA							
	0202-001499	SOLDER-WIRE FLUX;SR34 SUPER LFM-48,	0.05	SNA							
	0602-001158	DIODE-LASER;6mW,2,655nm,CAN	1	SNA							
	0602-001163	DIODE-LASER;20mW,2.0V,405nm,CAN	1	SNA							
	0604-001302	PHOTO-INTERRUPTER;TR,-,100mW,-,-	1	SA							
	6001-000805	SCREW-MACHINE;CH,+,-,M1.7,L3,NI PLT	4	SA							
	6001-001155	SCREW-MACHINE;PH(P12.5),+,M1.4,L3.5	1	SNA							
	AK31-00030A	MOTOR STEP-CLD;SOH-BP1,2.5-5V,0/200	1	SNA							
	AK41-00800A	FPC-BDP4 CLD;SOH-BDP4,1.6,FPCB,8,TO	1	SNA							
	AK61-00545A	SPRING ETC-CLD;SOH-BP4,STS304-WPB,0	1	SNA							
	AK61-00742A	SPRING ETC-DVD GT;SOH-DR4,Cu,2.8,5,	2	SNA							
	AK61-00828A	PLATE-PD BD;SOH-BP4,Zn,T2,1,W13,L7,	1	SNA							
	AK61-00829A	PLATE-PD DVD;SOH-BP4,Zn,T1,4,W11.8,	1	SNA							
	AK61-00830A	HOLDER-GT BD;SOH-BP4,Zn,T1.85,D5.6,	1	SNA							
	AK61-00831A	HOLDER-GT CD;SOH-BP4,Zn,T1.85,D5.6,	1	SNA							
	AK61-00832A	HOLDER-CL;SOH-BP4,PPS,BLK	1	SNA							
	AK61-00833A	HOLDER-LD BD;SOH-BP4,Zn,T4.0,W15.2,	1	SNA							
	AK61-00834A	BASE-PICK UP;SOH-BP4,PPS,T9,W44,L55	1	SNA							
	AK61-00842A	SPRING ETC-PBS BD;SOH-BP4,SUS,0.2,S	1	SNA							
	AK61-00843A	SPRING ETC-PBS DVD;SOH-BP4,SUS,0.2,	1	SNA							
	AK63-00503A	COVER BASE;SOH-BP4,PBS,T0.2,YEL,Pre	1	SNA							
	AK63-00518A	COVER-FPCB;SOH-BP4,SUS304,T0.15,W3,	1	SNA							
	AK66-00076A	SHAFT-MAIN CLD;SOH-BP1,SUS303C,25.5	1	SNA							
	AK66-00077A	SHAFT-SUB CLD;SOH-BP1,SUS303C,12.5,	1	SNA							
	AK67-00044A	LENS-CL DVD;SOH-BP1,PLASTIC,NTR,PI5	1	SNA							
	AK67-00080A	LENS-CL BD;BD-P1500,Glass(Zeonex340	1	SNA							
	AK67-00082A	LENS-PBS BD;SOH-BP4,GLS,WHT,7.2*5.0	1	SNA							
	AK67-00083A	LENS-PBS DVD;SOH-BP4,GLS,WHT,7.8*5,	1	SNA							
	AK67-00084A	LENS-BD MR;SOH-BP4,GLS,WHT,6*6.7,T1	1	SNA							
	AK67-00085A	LENS-DVD MR;SOH-BP4,GLS,WHT,4.7*8.0	1	SNA							
	AK67-00086A	LENS-ASL BD;SOH-BP4,Z330R,None,PI 2	1	SNA							
	AK67-00087A	LENS-ASL DVD;SOH-BP4,ZE48R,None,PI	1	SNA							
	AK67-00089A	LENS-BD GT;Grating,B270,None,3.0*2	1	SNA							
	AK67-00090A	LENS-CD GT;Grating,B270,None,3.3*2.	1	SNA							
	AK96-01003A	ASSY FPC-BD4VE FPCB;-72.6*72.8,0.8	1	SNA							
	0202-001221	SOLDER-CREAM;PF305-116HO(A),25-45 u	0.00005	SNA							
	0603-001215	PHOTO DIODE;-V,650-780nm,REEL	1	SNA							
	0603-001223	PHOTO-RECEIVER;5.0V,23mA,405nm,REEL	1	SNA							
	1209-001426	IC-OSCILLATOR,EL6203,SOT-23,5P,63MI	1	SNA							
	1404-001328	THERMISTOR-NTC;10Kohm,0A,3370K,0mW/	1	SNA							
	2007-000070	R-CHIP;0ohm,5%,1/10W,TP,1608	4	SA							
	2007-000096	R-CHIP;30Kohm,5%,1/10W,TP,1608	1	SA							
	2007-000140	R-CHIP;1Kohm,5%,1/16W,TP,1005	2	SA							
	2007-000287	R-CHIP;100ohm,1%,1/10W,TP,1608	1	SA							
	2007-000962	R-CHIP;5.1Kohm,1%,1/10W,TP,1608	1	SA							
	2007-001313	R-CHIP;330ohm,5%,1/16W,TP,1005	3	SA							
	2007-001433	R-CHIP;12Kohm,1%,1/10W,TP,1608	1	SA							
	2104-001087	VR-SMD;2.2Kohm,25%,0.15W,TOP	3	SA							
	2203-000189	C-CER,CHIP;100nF,+80-20%,25V,Y5V,16	2	SA							
	2203-000233	C-CER,CHIP;0.1nF,5%,50V,C0G,1005	2	SA							
	2203-006048	C-CER,CHIP;100nF,10%,10V,X7R,1005	5	SNA							
	2203-006348	C-CER,CHIP;1000nF,10%,25V,X5R,TP,16	2	SA							
	3301-000314	BEAD-SMD;120ohm,1.6x0.8x0.8mm,-,-,-	6	SA							
	3301-001808	BEAD-SMD;120ohm,1005,TP,530ohm/390M	1	SA							
	3708-001175	CONNECTOR-FPC/FFC/PIC;8P,0.5mm,SMD-	1	SA							
	3708-002203	CONNECTOR-FPC/FFC/PIC;40P,0.5mm,SMD	1	SA							
	AK41-00799A	FPC-BDP4;SOH-BDP4,1.6,FPCB,40,TO.4	1	SNA							
	C- AV	AC39-42001R	CABLE-AV;PVC	1	SA						
	T0153	AK69-00698G	PACKING CASE;BD-P3600/XEF,CB,SW2, A	1	SA						
	W001	6003-000275	SCREW-TAPTTYPE;BH,+B,M3,L10,ZPC(BLK	15	SA						
	W275	6003-001561	SCREW-TAPTTYPE;BH,+B,M3,L6,ZPC(WH	14	SA						
		AK96-01050A	ASSY USB P-GENDER;WIS09GD,USB host,	1	SA						
		AK96-01105A	ASSY USB P-WIRELESS USB LAN DONGLE;	1	SA						



# M E M O