

---

## **5. Exploded View and Parts List**

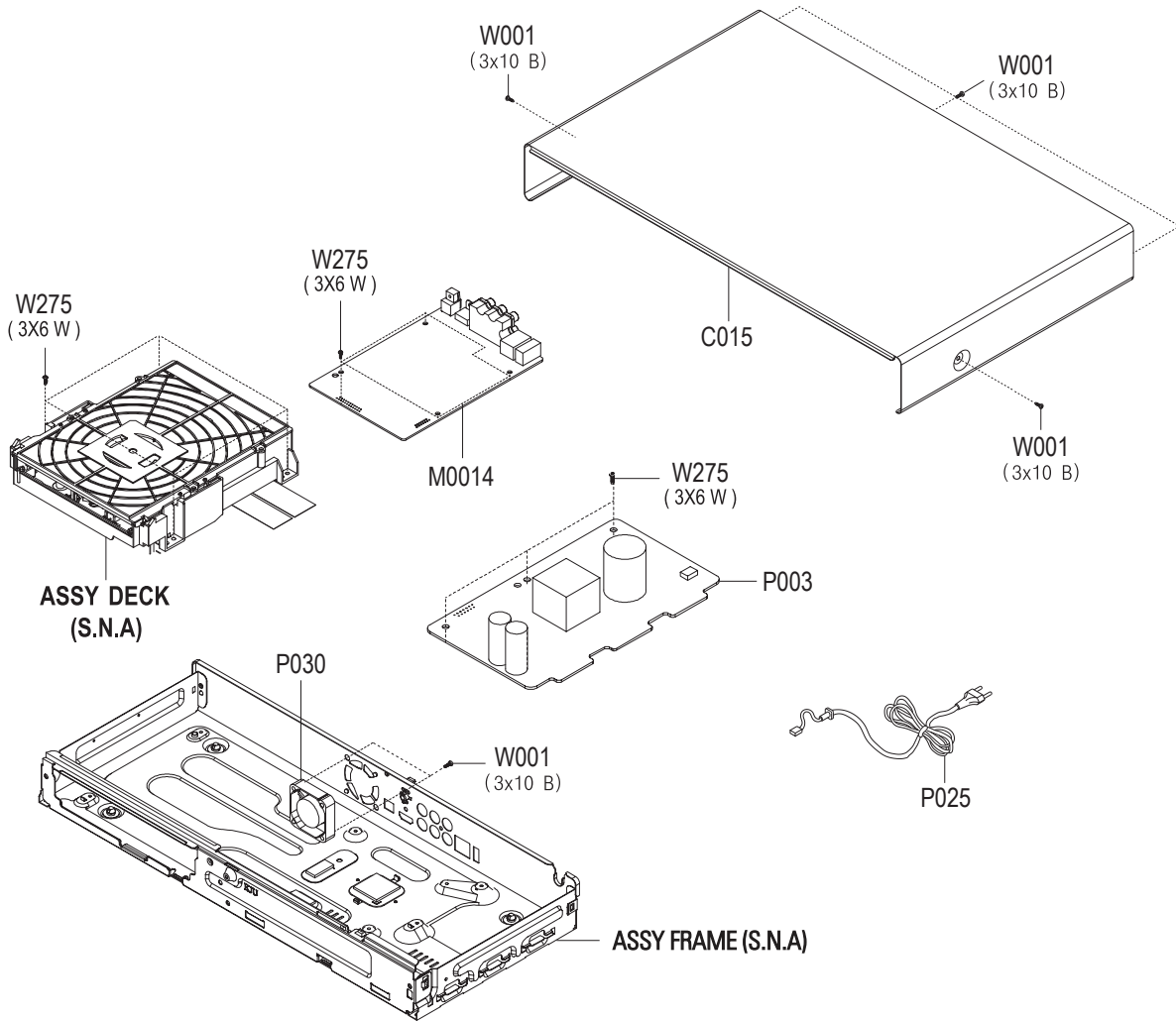
---

**5-1 Cabinet Assembly----- 5-2**

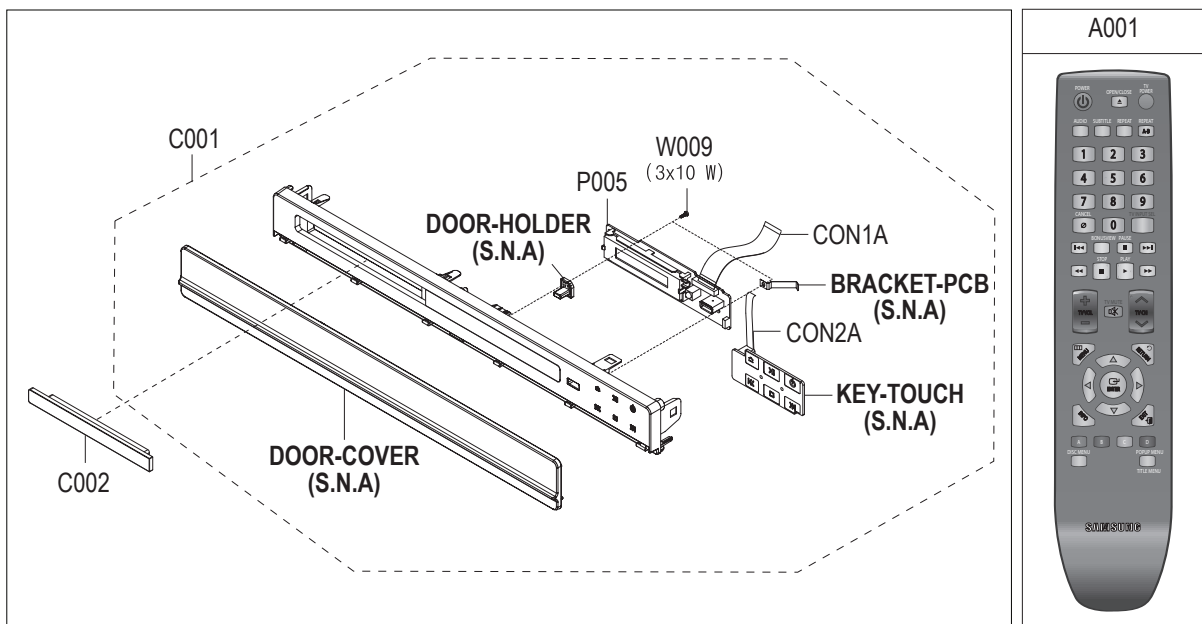
**5-2 Deck Parts----- 5-4**

**5-3 Electrical Parts List----- 5-6**

## 5-1 Cabinet Assembly

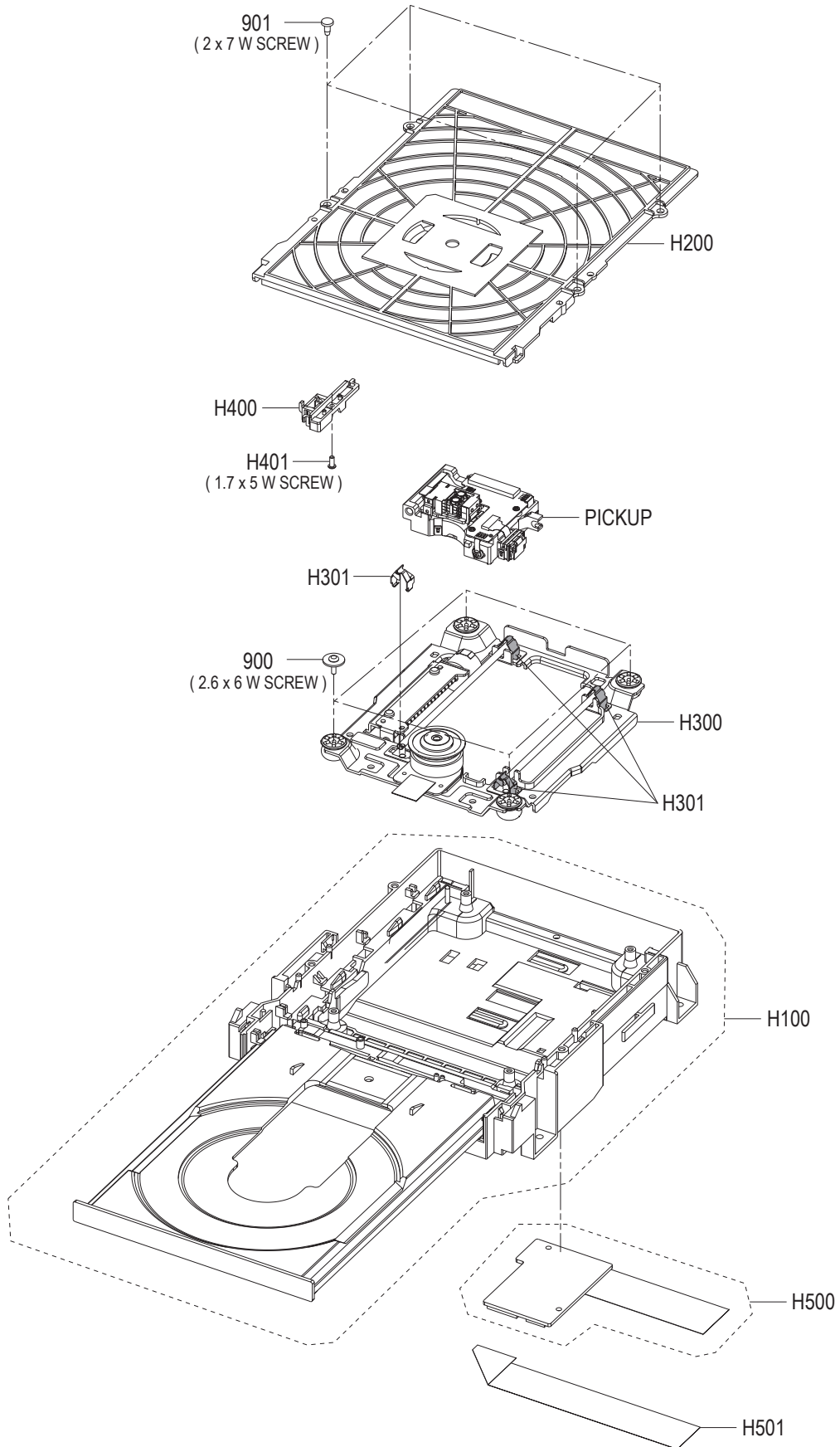


● S.N.A.: Service Not Available



Loc. No	Parts No.	Description ; Specification	Q ty	SNA	Remark
A001	AK59-00104K	REMOCON-ASSY;BD-P1600/XAA,SAMSUNG,4	1	SA	
C001	AK97-02453B	ASSY CABINET-FRONT;BD-PLAYER,BD-P16	1	SA	
C002	AK64-02362A	DOOR-TRAY;BD-P1600,ABS+PMMA,T2,W120	1	SA	
C015	AK63-00538A	COVER-TOP;BD-P1600/XAA,PCM,T0.1,W43	1	SA	
CON1A	3809-002281	FFC CABLE-FLAT;30V,80C,120MM,22P,1.	1	SA	
CON2A	3809-002282	FFC CABLE-FLAT;30V,80C,60MM,5P,1.0m	1	SA	
M0014	AK94-00153A	ASSY PCB MAIN-7601;BD-P1600/XEF	1	SA	
P003	AK92-01779E	ASSY PCB SMPS;- ,BD-P1600/XEE,SMPS P	1	SA	
P005	AK92-01862A	ASSY PCB FRONT;- ,BD-P1600,FRONT PCB	1	SA	
P025	AC39-10019A	CBF-POWER CORD;KKP-419C,H03VVH2-F,V	1	SA	
P030	3103-001207	FAN-DC;12VDC,40mA,3000rpm,0.065m^3/	1	SA	
W001	6003-000275	SCREW-TAPTYPE;BH,+ ,B,M3,L10,ZPC(BLK	7	SA	
W009	6003-000276	SCREW-TAPTYPE;BH,+ ,-,B,M3,L10,ZPC(W	2	SA	
W275	6003-001561	SCREW-TAPTYPE;BH,+ ,-,B,M3,L6,ZPC(WH	11	SA	

## 5-2 Deck Parts



Loc. No	Parts No.	Description ; Specification	Q ty	SNA	Remark
900	6003-001449	SCREW-TAPTITE BH,+ ,B,M2.6,L6,NI PLT	4	SA	
901	6003-001199	SCREW-TAPTITE PWH,+ ,-,B,M2,L7,ZPC(W	4	SA	
H100	AK97-02460A	ASSY FRAME-MAIN;ASSY,BD-P1600,-,-	1	SA	
H200	AK96-01014A	ASSY COVER;BD-P1600,-,-	1	SA	
H300	AK96-01024A	ASSY TRAVERSE;BD-P5,-,-	1	SA	
H301	AK61-00736A	BRACKET-SHAFT PU;DP-R3.5,SUS T1.0	1	SA	
H400	AK96-01025A	ASSY-HINGE PU;BD-P5,-,-	1	SA	
H401	6002-001086	SCREW-TAPPING;PH,+ ,B,M1.7,L5.0,ZPC(	1	SA	
H500	AK92-01849A	ASSY PCB-RELAY;BD-P5A,BD-P1600,-,-	1	SA	
H501	AK41-00890A	FFC-PU CABLE;BD-P1600,B TYPE,0.5 PI	1	SA	
PICKUP	AK96-01004A	ASSY PICK UP-BP5;SOH-BP5,BD-PLAYER,	1	SA	

### 5-3 Electrical Parts List

Loc.No	Parts No.	Description : Specification	Q'ty	S.N.A	Remark	Loc.No	Parts No.	Description : Specification	Q'ty	S.N.A	Remark
<b>M0014</b>	<b>AK94-00153A</b>	<b>ASSY PCB MAIN-7601;BD-P1600/KEF</b>	<b>1</b>	<b>SA</b>		C122	2203-006361	C-CER,CHIP;10000nF,10%,10V,X5R,TP,2	1	SA	
AC1	2203-006048	C-CER,CHIP;100nF,10%,10V,X7R,1005	1	SA		C123	2203-006361	C-CER,CHIP;10000nF,10%,10V,X5R,TP,2	1	SA	
AC10	2203-006048	C-CER,CHIP;100nF,10%,10V,X7R,1005	1	SA		C124	2203-006048	C-CER,CHIP;100nF,10%,10V,X7R,1005	1	SA	
AC11	2203-006324	C-CER,CHIP;2200nF,10%,10V,X5R,1608	1	SNA		C125	2203-006048	C-CER,CHIP;100nF,10%,10V,X7R,1005	1	SA	
AC12	2203-006324	C-CER,CHIP;2200nF,10%,10V,X5R,1608	1	SNA		C126	2203-006048	C-CER,CHIP;100nF,10%,10V,X7R,1005	1	SA	
AC13	2203-006324	C-CER,CHIP;2200nF,10%,10V,X5R,1608	1	SNA		C127	2203-006048	C-CER,CHIP;100nF,10%,10V,X7R,1005	1	SA	
AC14	2203-006324	C-CER,CHIP;2200nF,10%,10V,X5R,1608	1	SNA		C128	2203-006048	C-CER,CHIP;100nF,10%,10V,X7R,1005	1	SA	
AC15	2203-006361	C-CER,CHIP;10000nF,10%,10V,X5R,TP,2	1	SC		C129	2203-006048	C-CER,CHIP;100nF,10%,10V,X7R,1005	1	SA	
AC2	2203-006048	C-CER,CHIP;100nF,10%,10V,X7R,1005	1	SA		C13	2203-006361	C-CER,CHIP;10000nF,10%,10V,X5R,TP,2	1	SC	
AC3	2203-006048	C-CER,CHIP;100nF,10%,10V,X7R,1005	1	SA		C130	2203-006361	C-CER,CHIP;10000nF,10%,10V,X5R,TP,2	1	SC	
AC4	2203-006048	C-CER,CHIP;100nF,10%,10V,X7R,1005	1	SA		C131	2203-006048	C-CER,CHIP;100nF,10%,10V,X7R,1005	1	SA	
AC5	2203-006048	C-CER,CHIP;100nF,10%,10V,X7R,1005	1	SA		C132	2203-000812	C-CER,CHIP;.033nF,5%,50V,C0G,-,1005	1	SNA	
AC6	2203-006474	C-CER,CHIP;22000nF,20%,6.3V,X5R,201	1	SA		C133	2203-000812	C-CER,CHIP;.033nF,5%,50V,C0G,-,1005	1	SNA	
AC7	2203-001397	C-CER,CHIP;2.2nF,5%,50V,NP0,1608	1	SA		C134	2203-006361	C-CER,CHIP;10000nF,10%,10V,X5R,TP,2	1	SC	
AC8	2203-001397	C-CER,CHIP;2.2nF,5%,50V,NP0,1608	1	SA		C136	2203-000254	C-CER,CHIP;10nF,10%,16V,X7R,1005	1	SA	
AC9	2203-006562	C-CER,CHIP;1000nF,10%,10V,X5R,TP,10	1	SNA		C137	2203-006048	C-CER,CHIP;100nF,10%,10V,X7R,1005	1	SA	
AIC1	1002-001581	IC-DIA CONVERTER;CS4353-CNZR,24,QFN	1	SNA		C138	2203-000254	C-CER,CHIP;10nF,10%,16V,X7R,1005	1	SA	
AL1	2703-000166	INDUCTOR-SMD;2.7uH,5%,3225	1	SA		C139	2203-006048	C-CER,CHIP;100nF,10%,10V,X7R,1005	1	SA	
AQ1	0504-000156	TR-DIGITAL;-KSR2103,PNP,200MW,22K/22	1	SA		C14	2203-006048	C-CER,CHIP;100nF,10%,10V,X7R,1005	1	SA	
AQ2	0504-000128	TR-DIGITAL;-NPN,200MW,22K/22K,SOT-	1	SA		C140	2203-000254	C-CER,CHIP;10nF,10%,16V,X7R,1005	1	SA	
AQ3	0501-000341	TR-SMALL SIGNAL;KSC1623-L,NPN,200mW	1	SNA		C141	2203-000254	C-CER,CHIP;10nF,10%,16V,X7R,1005	1	SA	
AQ4	0501-000341	TR-SMALL SIGNAL;KSC1623-L,NPN,200mW	1	SNA		C142	2203-006474	C-CER,CHIP;22000nF,20%,6.3V,X5R,201	1	SA	
AR10	2007-007441	R-CHIP;562ohm,1%,1/10W,TP,1608	1	SNA		C143	2203-000254	C-CER,CHIP;10nF,10%,16V,X7R,1005	1	SA	
AR2	2007-001292	R-CHIP;33ohm,5%,1/16W,TP,1005	1	SNA		C151	2203-006048	C-CER,CHIP;100nF,10%,10V,X7R,1005	1	SA	
AR22	2007-000148	R-CHIP;10Kohm,5%,1/16W,TP,1005	1	SA		C17	2203-000254	C-CER,CHIP;10nF,10%,16V,X7R,1005	1	SA	
AR23	2007-000148	R-CHIP;10Kohm,5%,1/16W,TP,1005	1	SA		C18	2203-000254	C-CER,CHIP;10nF,10%,16V,X7R,1005	1	SA	
AR3	2007-000143	R-CHIP;4.7Kohm,5%,1/16W,TP,1005	1	SNA		C19	2203-006361	C-CER,CHIP;10000nF,10%,10V,X5R,TP,2	1	SC	
AR4	2007-001292	R-CHIP;33ohm,5%,1/16W,TP,1005	1	SNA		C2	2203-006048	C-CER,CHIP;100nF,10%,10V,X7R,1005	1	SA	
AR5	2007-001292	R-CHIP;33ohm,5%,1/16W,TP,1005	1	SNA		C20	2203-006048	C-CER,CHIP;100nF,10%,10V,X7R,1005	1	SA	
AR6	2007-001292	R-CHIP;33ohm,5%,1/16W,TP,1005	1	SNA		C21	2203-006048	C-CER,CHIP;100nF,10%,10V,X7R,1005	1	SA	
AR7	2007-000143	R-CHIP;4.7Kohm,5%,1/16W,TP,1005	1	SNA		C22	2203-006048	C-CER,CHIP;100nF,10%,10V,X7R,1005	1	SA	
AR8	2007-000143	R-CHIP;4.7Kohm,5%,1/16W,TP,1005	1	SNA		C23	2203-006048	C-CER,CHIP;100nF,10%,10V,X7R,1005	1	SA	
AR9	2007-007441	R-CHIP;562ohm,1%,1/10W,TP,1608	1	SNA		C24	2203-006048	C-CER,CHIP;100nF,10%,10V,X7R,1005	1	SA	
AVJACK13722-002696	JACK-PIN;6P,Silver/Nickel,RED,WHLB	1	SA		C25	2203-006048	C-CER,CHIP;100nF,10%,10V,X7R,1005	1	SA		
BZ1	3002-001134	BUZZER-PIEZO;85dB,12V,2K-4KHz,BK	1	SNA		C26	2203-006048	C-CER,CHIP;100nF,10%,10V,X7R,1005	1	SA	
BZR1	2007-000148	R-CHIP;10Kohm,5%,1/16W,TP,1005	1	SA		C27	2203-006048	C-CER,CHIP;100nF,10%,10V,X7R,1005	1	SA	
C10	2203-006048	C-CER,CHIP;100nF,10%,10V,X7R,1005	1	SA		C28	2203-006048	C-CER,CHIP;100nF,10%,10V,X7R,1005	1	SA	
C100	2203-006048	C-CER,CHIP;100nF,10%,10V,X7R,1005	1	SA		C29	2203-006048	C-CER,CHIP;100nF,10%,10V,X7R,1005	1	SA	
C101	2203-006048	C-CER,CHIP;100nF,10%,10V,X7R,1005	1	SA		C30	2203-006048	C-CER,CHIP;100nF,10%,10V,X7R,1005	1	SA	
C102	2203-006361	C-CER,CHIP;10000nF,10%,10V,X5R,TP,2	1	SC		C307	2203-006474	C-CER,CHIP;22000nF,20%,6.3V,X5R,201	1	SA	
C103	2203-006361	C-CER,CHIP;10000nF,10%,10V,X5R,TP,2	1	SC		C31	2203-006048	C-CER,CHIP;100nF,10%,10V,X7R,1005	1	SA	
C104	2203-006048	C-CER,CHIP;100nF,10%,10V,X7R,1005	1	SA		C36	2203-006474	C-CER,CHIP;22000nF,20%,6.3V,X5R,201	1	SA	
C105	2203-006048	C-CER,CHIP;100nF,10%,10V,X7R,1005	1	SA		C42	2203-006361	C-CER,CHIP;10000nF,10%,10V,X5R,TP,2	1	SC	
C106	2203-006048	C-CER,CHIP;100nF,10%,10V,X7R,1005	1	SA		C43	2203-006361	C-CER,CHIP;10000nF,10%,10V,X5R,TP,2	1	SC	
C107	2203-006048	C-CER,CHIP;100nF,10%,10V,X7R,1005	1	SA		C44	2203-006361	C-CER,CHIP;10000nF,10%,10V,X5R,TP,2	1	SC	
C108	2203-006048	C-CER,CHIP;100nF,10%,10V,X7R,1005	1	SA		C46	2203-006048	C-CER,CHIP;100nF,10%,10V,X7R,1005	1	SA	
C109	2203-006048	C-CER,CHIP;100nF,10%,10V,X7R,1005	1	SA		C47	2203-006048	C-CER,CHIP;100nF,10%,10V,X7R,1005	1	SA	
C110	2203-006361	C-CER,CHIP;10000nF,10%,10V,X5R,TP,2	1	SC		C48	2203-006048	C-CER,CHIP;100nF,10%,10V,X7R,1005	1	SA	
C111	2203-006048	C-CER,CHIP;100nF,10%,10V,X7R,1005	1	SA		C49	2203-006048	C-CER,CHIP;100nF,10%,10V,X7R,1005	1	SA	
C112	2203-006048	C-CER,CHIP;100nF,10%,10V,X7R,1005	1	SA		C5	2203-006361	C-CER,CHIP;10000nF,10%,10V,X5R,TP,2	1	SC	
C113	2203-006361	C-CER,CHIP;10000nF,10%,10V,X5R,TP,2	1	SC		C50	2203-006048	C-CER,CHIP;100nF,10%,10V,X7R,1005	1	SA	
C114	2203-006361	C-CER,CHIP;10000nF,10%,10V,X5R,TP,2	1	SC		C51	2203-006048	C-CER,CHIP;100nF,10%,10V,X7R,1005	1	SA	
C115	2203-006048	C-CER,CHIP;100nF,10%,10V,X7R,1005	1	SA		C52	2203-006048	C-CER,CHIP;100nF,10%,10V,X7R,1005	1	SA	
C116	2203-006048	C-CER,CHIP;100nF,10%,10V,X7R,1005	1	SA		C53	2203-006361	C-CER,CHIP;10000nF,10%,10V,X5R,TP,2	1	SC	
C117	2203-006048	C-CER,CHIP;100nF,10%,10V,X7R,1005	1	SA		C54	2203-006361	C-CER,CHIP;10000nF,10%,10V,X5R,TP,2	1	SC	
C118	2203-006048	C-CER,CHIP;100nF,10%,10V,X7R,1005	1	SA		C55	2203-006361	C-CER,CHIP;10000nF,10%,10V,X5R,TP,2	1	SC	
C119	2203-006048	C-CER,CHIP;100nF,10%,10V,X7R,1005	1	SA		C56	2203-006048	C-CER,CHIP;100nF,10%,10V,X7R,1005	1	SA	
C12	2203-006048	C-CER,CHIP;100nF,10%,10V,X7R,1005	1	SA		C57	2203-006048	C-CER,CHIP;100nF,10%,10V,X7R,1005	1	SA	
C120	2203-006048	C-CER,CHIP;100nF,10%,10V,X7R,1005	1	SA		C58	2203-006048	C-CER,CHIP;100nF,10%,10V,X7R,1005	1	SA	
C121	2203-006048	C-CER,CHIP;100nF,10%,10V,X7R,1005	1	SA		C59	2203-006048	C-CER,CHIP;100nF,10%,10V,X7R,1005	1	SA	

Loc.No	Parts No.	Description : Specification	Q'ty	S.N.A	Remark	Loc.No	Parts No.	Description : Specification	Q'ty	S.N.A	Remark
C6	2203-006048	C-CER,CHIP;100nF,10%,10V,X7R,1005	1	SA		FEC118	2203-006361	C-CER,CHIP;10000nF,10%,10V,X5R,TP,2	1	SC	
C80	2203-006048	C-CER,CHIP;100nF,10%,10V,X7R,1005	1	SA		FEC119	2203-006048	C-CER,CHIP;100nF,10%,10V,X7R,1005	1	SA	
C61	2203-006048	C-CER,CHIP;100nF,10%,10V,X7R,1005	1	SA		FEC120	2203-006048	C-CER,CHIP;100nF,10%,10V,X7R,1005	1	SA	
C62	2203-006048	C-CER,CHIP;100nF,10%,10V,X7R,1005	1	SA		FEC121	2203-006048	C-CER,CHIP;100nF,10%,10V,X7R,1005	1	SA	
C63	2203-006048	C-CER,CHIP;100nF,10%,10V,X7R,1005	1	SA		FEC122	2203-006048	C-CER,CHIP;100nF,10%,10V,X7R,1005	1	SA	
C69	2203-006048	C-CER,CHIP;100nF,10%,10V,X7R,1005	1	SA		FEC123	2203-006048	C-CER,CHIP;100nF,10%,10V,X7R,1005	1	SA	
C70	2203-006048	C-CER,CHIP;100nF,10%,10V,X7R,1005	1	SA		FEC124	2203-006027	C-CER,CHIP;0.022nF,5%,50V,C0G,1005	1	SNA	
C71	2203-006048	C-CER,CHIP;100nF,10%,10V,X7R,1005	1	SA		FEC125	2203-006048	C-CER,CHIP;100nF,10%,10V,X7R,1005	1	SA	
C72	2203-006048	C-CER,CHIP;100nF,10%,10V,X7R,1005	1	SA		FEC126	2203-006048	C-CER,CHIP;100nF,10%,10V,X7R,1005	1	SA	
C73	2203-006048	C-CER,CHIP;100nF,10%,10V,X7R,1005	1	SA		FEC127	2203-006027	C-CER,CHIP;0.022nF,5%,50V,C0G,1005	1	SNA	
C74	2203-006048	C-CER,CHIP;100nF,10%,10V,X7R,1005	1	SA		FEC128	2203-006048	C-CER,CHIP;100nF,10%,10V,X7R,1005	1	SA	
C79	2203-006048	C-CER,CHIP;100nF,10%,10V,X7R,1005	1	SA		FEC129	2203-000254	C-CER,CHIP;10nF,10%,16V,X7R,1005	1	SA	
C8	2203-006048	C-CER,CHIP;100nF,10%,10V,X7R,1005	1	SA		FEC130	2203-000254	C-CER,CHIP;10nF,10%,16V,X7R,1005	1	SA	
C81	2203-006048	C-CER,CHIP;100nF,10%,10V,X7R,1005	1	SA		FEC131	2203-000254	C-CER,CHIP;10nF,10%,16V,X7R,1005	1	SA	
C82	2203-006361	C-CER,CHIP;10000nF,10%,10V,X5R,TP,2	1	SC		FEC132	2203-000254	C-CER,CHIP;10nF,10%,16V,X7R,1005	1	SA	
C84	2203-006361	C-CER,CHIP;10000nF,10%,10V,X5R,TP,2	1	SC		FEC133	2203-006048	C-CER,CHIP;100nF,10%,10V,X7R,1005	1	SA	
C85	2203-006048	C-CER,CHIP;100nF,10%,10V,X7R,1005	1	SA		FEC134	2203-006361	C-CER,CHIP;10000nF,10%,10V,X5R,TP,2	1	SC	
C86	2203-006048	C-CER,CHIP;100nF,10%,10V,X7R,1005	1	SA		FEC15	2203-006048	C-CER,CHIP;100nF,10%,10V,X7R,1005	1	SA	
C87	2203-006361	C-CER,CHIP;10000nF,10%,10V,X5R,TP,2	1	SC		FEC151	2203-000438	C-CER,CHIP;1nF,10%,50V,X7R,1005	1	SA	
C88	2203-006048	C-CER,CHIP;100nF,10%,10V,X7R,1005	1	SA		FEC152	2203-000438	C-CER,CHIP;1nF,10%,50V,X7R,1005	1	SA	
C89	2203-006361	C-CER,CHIP;10000nF,10%,10V,X5R,TP,2	1	SC		FEC153	2203-005249	C-CER,CHIP;100nF,10%,50V,X7R,TP,160	1	SNA	
C9	2203-000233	C-CER,CHIP;0.1nF,5%,50V,C0G,1005	1	SA		FEC16	2203-006048	C-CER,CHIP;100nF,10%,10V,X7R,1005	1	SA	
C90	2203-006361	C-CER,CHIP;10000nF,10%,10V,X5R,TP,2	1	SC		FEC17	2203-000438	C-CER,CHIP;1nF,10%,50V,X7R,1005	1	SA	
C91	2203-006048	C-CER,CHIP;100nF,10%,10V,X7R,1005	1	SA		FEC19	2203-006047	C-CER,CHIP;33nF,10%,16V,X7R,1005	1	SA	
C92	2203-006048	C-CER,CHIP;100nF,10%,10V,X7R,1005	1	SA		FEC2	2203-006048	C-CER,CHIP;100nF,10%,10V,X7R,1005	1	SA	
C93	2203-006048	C-CER,CHIP;100nF,10%,10V,X7R,1005	1	SA		FEC20	2203-006047	C-CER,CHIP;33nF,10%,16V,X7R,1005	1	SA	
C94	2203-006048	C-CER,CHIP;100nF,10%,10V,X7R,1005	1	SA		FEC21	2203-000438	C-CER,CHIP;1nF,10%,50V,X7R,1005	1	SA	
C95	2203-006048	C-CER,CHIP;100nF,10%,10V,X7R,1005	1	SA		FEC22	2203-000438	C-CER,CHIP;1nF,10%,50V,X7R,1005	1	SA	
C99	2203-006048	C-CER,CHIP;100nF,10%,10V,X7R,1005	1	SA		FEC23	2203-006047	C-CER,CHIP;33nF,10%,16V,X7R,1005	1	SA	
CON12	3708-002603	CONNECTOR-FPC/FCC/PIC;22P,1mm,SMD-S	1	SNA		FEC24	2203-006047	C-CER,CHIP;33nF,10%,16V,X7R,1005	1	SA	
CON17	3708-001935	CONNECTOR-FPC/FCC/PIC;40P,0.5mm,SMD	1	SNA		FEC25	2203-006047	C-CER,CHIP;33nF,10%,16V,X7R,1005	1	SA	
ECON1	3722-002549	JACK-MODULAR;12P/8C,N,ANGLE,N,AU,1P	1	SA		FEC26	2203-006047	C-CER,CHIP;33nF,10%,16V,X7R,1005	1	SA	
EL1	3301-000317	BEAD-SMD;120ohm,2012,TP,-,-	1	SA		FEC29	2203-006048	C-CER,CHIP;100nF,10%,10V,X7R,1005	1	SA	
FAN_CON1	3711-000820	HEADER-BOARD TO CABLE;BOX,2P,1R,2.5	1	SNA		FEC3	2203-006048	C-CER,CHIP;100nF,10%,10V,X7R,1005	1	SA	
FC10	2203-006048	C-CER,CHIP;100nF,10%,10V,X7R,1005	1	SA		FEC311	2203-002994	C-CER,CHIP;0.068nF,5%,50V,CH,BK,100	1	SNA	
FC13	2203-006048	C-CER,CHIP;100nF,10%,10V,X7R,1005	1	SA		FEC312	2203-005659	C-CER,CHIP;0.18nF,5%,50V,NP0,1005	1	SNA	
FC16	2203-006048	C-CER,CHIP;100nF,10%,10V,X7R,1005	1	SA		FEC313	2203-002717	C-CER,CHIP;10nF,+80-20%,50V,Y5V,100	1	SNA	
FC2	2203-000254	C-CER,CHIP;10nF,10%,16V,X7R,1005	1	SA		FEC33	2203-006048	C-CER,CHIP;100nF,10%,10V,X7R,1005	1	SA	
FC5	2203-006048	C-CER,CHIP;100nF,10%,10V,X7R,1005	1	SA		FEC34	2203-006158	C-CER,CHIP;100nF,10%,16V,X7R,1005	1	SA	
FC6	2203-006048	C-CER,CHIP;100nF,10%,10V,X7R,1005	1	SA		FEC36	2203-006336	C-CER,CHIP;10000nF,10%,25V,X5R,3216	1	SA	
FC7	2203-006361	C-CER,CHIP;10000nF,10%,10V,X5R,TP,2	1	SC		FEC37	2203-006336	C-CER,CHIP;10000nF,10%,25V,X5R,3216	1	SA	
FC8	2203-006048	C-CER,CHIP;100nF,10%,10V,X7R,1005	1	SA		FEC375	2203-006158	C-CER,CHIP;100nF,10%,16V,X7R,1005	1	SA	
FC9	2203-006048	C-CER,CHIP;100nF,10%,10V,X7R,1005	1	SA		FEC40	2203-006048	C-CER,CHIP;100nF,10%,10V,X7R,1005	1	SA	
FCON1	3708-002603	CONNECTOR-FPC/FCC/PIC;22P,1mm,SMD-S	1	SNA		FEC400	2203-006048	C-CER,CHIP;100nF,10%,10V,X7R,1005	1	SA	
FD1	0401-001049	DIODE-SWITCHING;LS4148,75V,150mA,SO	1	SA		FEC41	2203-006336	C-CER,CHIP;10000nF,10%,25V,X5R,3216	1	SA	
FEC1	2203-006048	C-CER,CHIP;100nF,10%,10V,X7R,1005	1	SA		FEC42	2203-006048	C-CER,CHIP;100nF,10%,10V,X7R,1005	1	SA	
FEC100	2203-006048	C-CER,CHIP;100nF,10%,10V,X7R,1005	1	SA		FEC5	2203-006048	C-CER,CHIP;100nF,10%,10V,X7R,1005	1	SA	
FEC101	2203-006048	C-CER,CHIP;100nF,10%,10V,X7R,1005	1	SA		FEC57	2203-006158	C-CER,CHIP;100nF,10%,16V,X7R,1005	1	SA	
FEC102	2203-005249	C-CER,CHIP;100nF,10%,50V,X7R,TP,160	1	SNA		FEC58	2203-006158	C-CER,CHIP;100nF,10%,16V,X7R,1005	1	SA	
FEC103	2203-006048	C-CER,CHIP;100nF,10%,10V,X7R,1005	1	SA		FEC59	2203-006158	C-CER,CHIP;100nF,10%,16V,X7R,1005	1	SA	
FEC104	2203-006048	C-CER,CHIP;100nF,10%,10V,X7R,1005	1	SA		FEC6	2203-006048	C-CER,CHIP;100nF,10%,10V,X7R,1005	1	SA	
FEC105	2203-006048	C-CER,CHIP;100nF,10%,10V,X7R,1005	1	SA		FEC61	2203-005249	C-CER,CHIP;100nF,10%,50V,X7R,TP,160	1	SNA	
FEC106	2203-006048	C-CER,CHIP;100nF,10%,10V,X7R,1005	1	SA		FEC62	2203-002687	C-CER,CHIP;1.2nF,10%,50V,X7R,TP,100	1	SA	
FEC107	2203-006048	C-CER,CHIP;100nF,10%,10V,X7R,1005	1	SA		FEC68	2203-000715	C-CER,CHIP;3.3nF,10%,50V,X7R,1608	1	SNA	
FEC108	2203-006361	C-CER,CHIP;10000nF,10%,10V,X5R,TP,2	1	SC		FEC69	2203-000715	C-CER,CHIP;3.3nF,10%,50V,X7R,1608	1	SNA	
FEC109	2203-006361	C-CER,CHIP;10000nF,10%,10V,X5R,TP,2	1	SC		FEC7	2203-006048	C-CER,CHIP;100nF,10%,10V,X7R,1005	1	SA	
FEC110	2203-006361	C-CER,CHIP;10000nF,10%,10V,X5R,TP,2	1	SC		FEC70	2203-000715	C-CER,CHIP;3.3nF,10%,50V,X7R,1608	1	SNA	
FEC111	2203-006048	C-CER,CHIP;100nF,10%,10V,X7R,1005	1	SA		FEC71	2203-006158	C-CER,CHIP;100nF,10%,16V,X7R,1005	1	SA	
FEC112	2203-006048	C-CER,CHIP;100nF,10%,10V,X7R,1005	1	SA		FEC72	2203-006158	C-CER,CHIP;100nF,10%,16V,X7R,1005	1	SA	
FEC113	2203-006361	C-CER,CHIP;10000nF,10%,10V,X5R,TP,2	1	SC		FEC74	2203-000438	C-CER,CHIP;1nF,10%,50V,X7R,1005	1	SA	
FEC114	2203-006361	C-CER,CHIP;10000nF,10%,10V,X5R,TP,2	1	SC		FEC76	2203-006158	C-CER,CHIP;100nF,10%,16V,X7R,1005	1	SA	
FEC115	2203-006048	C-CER,CHIP;100nF,10%,10V,X7R,1005	1	SA		FEC77	2203-006361	C-CER,CHIP;10000nF,10%,10V,X5R,TP,2	1	SC	
FEC116	2203-006048	C-CER,CHIP;100nF,10%,10V,X7R,1005	1	SA		FEC78	2203-006048	C-CER,CHIP;100nF,10%,10V,X7R,1005	1	SA	
FEC117	2203-006361	C-CER,CHIP;10000nF,10%,10V,X5R,TP,2	1	SC							

Exploded Views and Parts List

Loc.No	Parts No.	Description : Specification	Q'ty	S.N.A	Remark	Loc.No	Parts No.	Description : Specification	Q'ty	S.N.A	Remark
FEC79	2203-006361	C-CER,CHIP;1000nF,10%,10V,X5R,TP,2	1	SC		FER55	2007-001325	R-CHIP;3.3Kohm,5%,1/16W,TP,1005	1	SA	
FEC8	2203-006158	C-CER,CHIP;100nF,10%,16V,X7R,1005	1	SA		FER56	2007-000086	R-CHIP;5.6Kohm,5%,1/10W,TP,1608	1	SA	
FEC82	2203-006048	C-CER,CHIP;100nF,10%,10V,X7R,1005	1	SA		FER58	2007-000431	R-CHIP;16Kohm,5%,1/10W,TP,1608	1	SA	
FEC83	2203-006048	C-CER,CHIP;100nF,10%,10V,X7R,1005	1	SA		FER61	2007-000503	R-CHIP;2.2ohm,5%,1/10W,TP,1608	1	SA	
FEC84	2203-006048	C-CER,CHIP;100nF,10%,10V,X7R,1005	1	SA		FER62	2007-000503	R-CHIP;2.2ohm,5%,1/10W,TP,1608	1	SA	
FEC85	2203-006048	C-CER,CHIP;100nF,10%,10V,X7R,1005	1	SA		FER63	2007-000090	R-CHIP;10Kohm,5%,1/10W,TP,1608	1	SA	
FEC86	2203-006048	C-CER,CHIP;100nF,10%,10V,X7R,1005	1	SA		FER64	2007-000503	R-CHIP;2.2ohm,5%,1/10W,TP,1608	1	SA	
FEC87	2203-006361	C-CER,CHIP;1000nF,10%,10V,X5R,TP,2	1	SC		FER65	2007-000695	R-CHIP;3.3ohm,5%,1/10W,TP,1608	1	SA	
FEC88	2203-006361	C-CER,CHIP;1000nF,10%,10V,X5R,TP,2	1	SC		FER66	2007-000695	R-CHIP;3.3ohm,5%,1/10W,TP,1608	1	SA	
FEC89	2203-006048	C-CER,CHIP;100nF,10%,10V,X7R,1005	1	SA		FER67	2007-001148	R-CHIP;10Kohm,5%,1/16W,TP,1005	1	SA	
FEC90	2203-001405	C-CER,CHIP;22nF,+80-20%,25V,Y5V,100	1	SA		FER68	2007-000695	R-CHIP;3.3ohm,5%,1/10W,TP,1608	1	SA	
FEC91	2203-001405	C-CER,CHIP;22nF,+80-20%,25V,Y5V,100	1	SA		FER70	2007-000157	R-CHIP;47Kohm,5%,1/16W,TP,1005	1	SNA	
FEC92	2203-000491	C-CER,CHIP;2.2nF,10%,50V,X7R,1608	1	SA		FER71	2007-007334	R-CHIP;200Kohm,1%,1/16W,TP,1005	1	SNA	
FEC93	2203-006361	C-CER,CHIP;1000nF,10%,10V,X5R,TP,2	1	SC		FER72	2007-000148	R-CHIP;10Kohm,5%,1/16W,TP,1005	1	SA	
FEC94	2203-006048	C-CER,CHIP;100nF,10%,10V,X7R,1005	1	SA		FER77	2007-000170	R-CHIP;1Mohm,5%,1/16W,TP,1005	1	SNA	
FEC95	2203-006048	C-CER,CHIP;100nF,10%,10V,X7R,1005	1	SA		FER84	2007-000157	R-CHIP;47Kohm,5%,1/16W,TP,1005	1	SNA	
FEC96	2203-006048	C-CER,CHIP;100nF,10%,10V,X7R,1005	1	SA		FER87	2007-000146	R-CHIP;6.8Kohm,5%,1/16W,TP,1005	1	SNA	
FEC97	2203-006048	C-CER,CHIP;100nF,10%,10V,X7R,1005	1	SA		FER91	2007-000148	R-CHIP;10Kohm,5%,1/16W,TP,1005	1	SA	
FEC98	2203-006048	C-CER,CHIP;100nF,10%,10V,X7R,1005	1	SA		FER92	2007-000148	R-CHIP;10Kohm,5%,1/16W,TP,1005	1	SA	
FEC99	2203-006048	C-CER,CHIP;100nF,10%,10V,X7R,1005	1	SA		FER93	2007-008297	R-CHIP;33.2Kohm,1%,1/16W,TP,1005	1	SNA	
FEIC13	1105-001397	IC-DRAM;K4S641632.SDR,64Mbit,4Mx16,	1	SA		FER94	2007-000140	R-CHIP;1Kohm,5%,1/16W,TP,1005	1	SNA	
FEIC15	1001-001482	IC-ANALOG SWITCH;MAX4610CUD,SPST CM	1	SNA		FER948	2007-000171	R-CHIP;0ohm,5%,1/16W,TP,1005	1	SNA	
FER1	2007-000151	R-CHIP;15Kohm,5%,1/16W,TP,1005	1	SNA		FER949	2007-000138	R-CHIP;100ohm,5%,1/16W,TP,1005	1	SNA	
FER10	1404-001328	THERMISTOR-NTC;10Kohm,0A,3370K,0mW/	1	SNA		FER95	2007-000140	R-CHIP;1Kohm,5%,1/16W,TP,1005	1	SNA	
FER100	2007-000143	R-CHIP;4.7Kohm,5%,1/16W,TP,1005	1	SNA		FER950	2007-000157	R-CHIP;47Kohm,5%,1/16W,TP,1005	1	SNA	
FER101	2007-000078	R-CHIP;1Kohm,5%,1/10W,TP,1608	1	SA		FER955	2007-000171	R-CHIP;0ohm,5%,1/16W,TP,1005	1	SNA	
FER106	2007-000148	R-CHIP;10Kohm,5%,1/16W,TP,1005	1	SA		FER962	2007-000148	R-CHIP;10Kohm,5%,1/16W,TP,1005	1	SA	
FER107	2007-000140	R-CHIP;1Kohm,5%,1/16W,TP,1005	1	SNA		FER963	2007-000138	R-CHIP;100ohm,5%,1/16W,TP,1005	1	SNA	
FER108	2007-000173	R-CHIP;22ohm,5%,1/16W,TP,1005	1	SA		FER964	2007-000148	R-CHIP;10Kohm,5%,1/16W,TP,1005	1	SA	
FER109	2007-000148	R-CHIP;10Kohm,5%,1/16W,TP,1005	1	SA		FER966	2007-007142	R-CHIP;10Kohm,1%,1/16W,TP,1005	1	SNA	
FER11	2007-000146	R-CHIP;6.8Kohm,5%,1/16W,TP,1005	1	SNA		FER967	2007-000141	R-CHIP;2.2Kohm,5%,1/16W,TP,1005	1	SA	
FER110	2007-000148	R-CHIP;10Kohm,5%,1/16W,TP,1005	1	SA		FER98	2007-000148	R-CHIP;10Kohm,5%,1/16W,TP,1005	1	SA	
FER111	2007-000148	R-CHIP;10Kohm,5%,1/16W,TP,1005	1	SA		FER99	2007-001014	R-CHIP;51ohm,5%,1/10W,TP,1608	1	SA	
FER112	2007-000148	R-CHIP;10Kohm,5%,1/16W,TP,1005	1	SA		FEU2	1003-002187	IC-MOTOR DRIVER;AM9268,SOP,42P,18x7	1	SNA	
FER116	2007-000171	R-CHIP;0ohm,5%,1/16W,TP,1005	1	SNA		FEU3	1003-002188	IC-MOTOR DRIVER;AM9858,SOP,28P,18x7	1	SNA	
FER121	2007-000170	R-CHIP;1Mohm,5%,1/16W,TP,1005	1	SNA		FIC3	1103-001398	IC-EEPROM;24C02,2Kbit,256Kx8,SOIC,8	1	SA	
FER18	2007-000157	R-CHIP;47Kohm,5%,1/16W,TP,1005	1	SNA		FIC4	0801-002097	IC-CMOS LOGIC;7ST08,AND GATE,SOP,5P	1	SNA	
FER19	2007-000157	R-CHIP;47Kohm,5%,1/16W,TP,1005	1	SNA		FMIC1	AK09-00204B	IC MICOM-MASK;MC80F0448,MC80F0448,6	1	SNA	
FER2	2007-000138	R-CHIP;100ohm,5%,1/16W,TP,1005	1	SNA		FMIC2	1203-002755	IC-VOL. DETECTOR;KIA7031AF,-(0.3-15	1	SA	
FER20	2007-000157	R-CHIP;47Kohm,5%,1/16W,TP,1005	1	SNA		FR1	2007-000148	R-CHIP;10Kohm,5%,1/16W,TP,1005	1	SA	
FER22	2007-001044	R-CHIP;56ohm,5%,1/10W,TP,1608	1	SA		FR11	2007-000070	R-CHIP;0ohm,5%,1/10W,TP,1608	1	SNA	
FER23	2007-001044	R-CHIP;56ohm,5%,1/10W,TP,1608	1	SA		FR12	2007-000171	R-CHIP;0ohm,5%,1/16W,TP,1005	1	SNA	
FER24	2007-000151	R-CHIP;15Kohm,5%,1/16W,TP,1005	1	SNA		FR13	2007-000140	R-CHIP;1Kohm,5%,1/16W,TP,1005	1	SNA	
FER25	2007-000151	R-CHIP;15Kohm,5%,1/16W,TP,1005	1	SNA		FR14	2007-000137	R-CHIP;2Kohm,5%,1/16W,TP,1005	1	SA	
FER26	2007-001313	R-CHIP;330ohm,5%,1/16W,TP,1005	1	SA		FR15	2007-000137	R-CHIP;2Kohm,5%,1/16W,TP,1005	1	SA	
FER27	2007-000156	R-CHIP;30Kohm,5%,1/16W,TP,1005	1	SA		FR2	2007-000148	R-CHIP;10Kohm,5%,1/16W,TP,1005	1	SA	
FER29	2007-001044	R-CHIP;56ohm,5%,1/10W,TP,1608	1	SA		FR21	2007-000159	R-CHIP;56Kohm,5%,1/16W,TP,1005	1	SA	
FER30	2007-001044	R-CHIP;56ohm,5%,1/10W,TP,1608	1	SA		FR22	2007-000138	R-CHIP;100ohm,5%,1/16W,TP,1005	1	SNA	
FER31	2007-000835	R-CHIP;39ohm,1%,1/10W,TP,1608	1	SA		FR24	2007-000100	R-CHIP;68Kohm,5%,1/10W,TP,1608	1	SNA	
FER32	2007-000835	R-CHIP;39ohm,1%,1/10W,TP,1608	1	SA		FR26	2007-000148	R-CHIP;10Kohm,5%,1/16W,TP,1005	1	SA	
FER35	2007-000140	R-CHIP;1Kohm,5%,1/16W,TP,1005	1	SNA		FR28	2007-000171	R-CHIP;0ohm,5%,1/16W,TP,1005	1	SNA	
FER37	2007-000140	R-CHIP;1Kohm,5%,1/16W,TP,1005	1	SNA		FR29	2007-000140	R-CHIP;1Kohm,5%,1/16W,TP,1005	1	SNA	
FER4	2007-001325	R-CHIP;3.3Kohm,5%,1/16W,TP,1005	1	SA		FR3	2007-000148	R-CHIP;10Kohm,5%,1/16W,TP,1005	1	SA	
FER41	2007-001325	R-CHIP;3.3Kohm,5%,1/16W,TP,1005	1	SA		FR32	2007-000140	R-CHIP;1Kohm,5%,1/16W,TP,1005	1	SNA	
FER42	2007-001325	R-CHIP;3.3Kohm,5%,1/16W,TP,1005	1	SA		FR42	2007-000171	R-CHIP;0ohm,5%,1/16W,TP,1005	1	SNA	
FER43	2007-000695	R-CHIP;3.3ohm,5%,1/10W,TP,1608	1	SA		FR43	2007-000171	R-CHIP;0ohm,5%,1/16W,TP,1005	1	SNA	
FER44	2007-000695	R-CHIP;3.3ohm,5%,1/10W,TP,1608	1	SA		FR44	2007-000171	R-CHIP;0ohm,5%,1/16W,TP,1005	1	SNA	
FER45	2007-000695	R-CHIP;3.3ohm,5%,1/10W,TP,1608	1	SA		FR45	2007-000148	R-CHIP;10Kohm,5%,1/16W,TP,1005	1	SA	
FER50	2007-000695	R-CHIP;3.3ohm,5%,1/10W,TP,1608	1	SA		FR46	2007-000148	R-CHIP;10Kohm,5%,1/16W,TP,1005	1	SA	
FER51	2007-000695	R-CHIP;3.3ohm,5%,1/10W,TP,1608	1	SA		FR47	2007-000148	R-CHIP;10Kohm,5%,1/16W,TP,1005	1	SA	
FER52	2007-000695	R-CHIP;3.3ohm,5%,1/10W,TP,1608	1	SA		FR48	2007-000138	R-CHIP;100ohm,5%,1/16W,TP,1005	1	SNA	
FER53	2007-000162	R-CHIP;100Kohm,5%,1/16W,TP,1005	1	SA		FR49	2007-000138	R-CHIP;100ohm,5%,1/16W,TP,1005	1	SNA	
FER54	2007-000141	R-CHIP;2.2Kohm,5%,1/16W,TP,1005	1	SA		FR50	2007-000138	R-CHIP;100ohm,5%,1/16W,TP,1005	1	SNA	
						FR51	2007-000138	R-CHIP;100ohm,5%,1/16W,TP,1005	1	SNA	



Loc.No	Parts No.	Description : Specification	Q'ty	S.N.A	Remark	Loc.No	Parts No.	Description : Specification	Q'ty	S.N.A	Remark
FR52	2007-000070	R-CHIP;0ohm,5%,1/10W,TP,1608	1	SNA		HUR81	2007-000171	R-CHIP;0ohm,5%,1/16W,TP,1005	1	SNA	
FR53	2007-000070	R-CHIP;0ohm,5%,1/10W,TP,1608	1	SNA		HUR82	2007-000171	R-CHIP;0ohm,5%,1/16W,TP,1005	1	SNA	
FR54	2007-000070	R-CHIP;0ohm,5%,1/10W,TP,1608	1	SNA		HUR87	2007-000092	R-CHIP;15Kohm,5%,1/10W,TP,1608	1	SA	
FR55	2007-000143	R-CHIP;4.7Kohm,5%,1/16W,TP,1005	1	SNA		HUR88	2007-000092	R-CHIP;15Kohm,5%,1/10W,TP,1608	1	SA	
FR56	2007-000143	R-CHIP;4.7Kohm,5%,1/16W,TP,1005	1	SNA		HUR91	2007-000171	R-CHIP;0ohm,5%,1/16W,TP,1005	1	SNA	
FR57	2007-000029	R-CHIP;0ohm,5%,1/8W,TP,2012	1	SC		HUR92	2007-000171	R-CHIP;0ohm,5%,1/16W,TP,1005	1	SNA	
FR58	2007-000070	R-CHIP;0ohm,5%,1/10W,TP,1608	1	SNA		HUR95	2007-000171	R-CHIP;0ohm,5%,1/16W,TP,1005	1	SNA	
FR59	2007-000171	R-CHIP;0ohm,5%,1/16W,TP,1005	1	SNA		HUR96	2007-000171	R-CHIP;0ohm,5%,1/16W,TP,1005	1	SNA	
FR60	2007-000171	R-CHIP;0ohm,5%,1/16W,TP,1005	1	SNA		HUR97	2007-000171	R-CHIP;0ohm,5%,1/16W,TP,1005	1	SNA	
FR63	2007-000151	R-CHIP;15Kohm,5%,1/16W,TP,1005	1	SNA		HUR98	2007-000171	R-CHIP;0ohm,5%,1/16W,TP,1005	1	SNA	
FR64	2007-000151	R-CHIP;15Kohm,5%,1/16W,TP,1005	1	SNA		IC11	1201-002790	IC-VIDEO AMP;MM1797D/BE,TSOP,16P,5x	1	SNA	
FR65	2007-000148	R-CHIP;10Kohm,5%,1/16W,TP,1005	1	SA		IC14	1001-001482	IC-ANALOG SWITCH;MAX4610CUD,SPST CM	1	SNA	
FR66	2007-000148	R-CHIP;10Kohm,5%,1/16W,TP,1005	1	SA		IC16	1201-000166	IC-OP AMP;LM358,SOP,8T,6P,150MIL,DU	1	SA	
FR67	2007-000148	R-CHIP;10Kohm,5%,1/16W,TP,1005	1	SA		IC2	1203-005469	IC-POWER SUPERVISOR;MIC2009YM6,SOT-	1	SNA	
FR7	2007-000052	R-CHIP;10Kohm,1%,1/10W,TP,1608	1	SNA		JFET2	0505-001957	FET-SILICON;NTR2101P,P,-8V,-3.7A,0.	1	SA	
FR9	2007-000137	R-CHIP;2Kohm,5%,1/16W,TP,1005	1	SA		L1	3301-000317	BEAD-SMD;120ohm,2012,TP,-,-	1	SA	
FU2	0801-002701	IC-CMOS LOGIC;74VHCT125A,BUFFER,TSS	1	SA		L2	3301-000314	BEAD-SMD;120ohm,1.6x0.8x0.8mm,-,-,-	1	SNA	
FU3	0801-002487	IC-CMOS LOGIC;7SZ126,BUFFER,SOT-353	1	SA		L2831	2703-000166	INDUCTOR-SMD;2.7uH,5V,3225	1	SA	
FU4	0801-002487	IC-CMOS LOGIC;7SZ126,BUFFER,SOT-353	1	SA		MEM1	1105-002015	IC-DDR2 SDRAM;NT5TU32M16CG-25C,DDR2	1	SNA	
FX1	2802-001164	RESONATOR-CERAMIC;8.000MHZ,+0.5%,T	1	SNA		MEM2	1105-002015	IC-DDR2 SDRAM;NT5TU32M16CG-25C,DDR2	1	SNA	
HC1	2203-006361	C-CER,CHIP;1000nF,10%,10V,X5R,TP,2	1	SC		MEM3	1105-002012	IC-DDR2 SDRAM;NT5TU64M16DG-AC,DDR2	1	SNA	
HC2	2203-006048	C-CER,CHIP;100nF,10%,10V,X7R,1005	1	SA		MEM4	1105-002012	IC-DDR2 SDRAM;NT5TU64M16DG-AC,DDR2	1	SNA	
HCN1	3701-001313	CONNECTOR-HDMI;19P,2R,PLUG,ANGLE,AU	1	SA		NAND1	1107-001805	IC-NAND FLASH;NAND512W3A-2CN6,512Mb	1	SNA	
HD1	1405-001192	VARIATOR;12Vdc,30A,1.6x0.8x0.55mm,T	1	SA		NFC1	2203-006048	C-CER,CHIP;100nF,10%,10V,X7R,1005	1	SA	
HD10	1405-001192	VARIATOR;12Vdc,30A,1.6x0.8x0.55mm,T	1	SA		NFC2	2203-006048	C-CER,CHIP;100nF,10%,10V,X7R,1005	1	SA	
HD11	1405-001192	VARIATOR;12Vdc,30A,1.6x0.8x0.55mm,T	1	SA		NFR1	2007-001292	R-CHIP;33ohm,5%,1/16W,TP,1005	1	SNA	
HD2	1405-001192	VARIATOR;12Vdc,30A,1.6x0.8x0.55mm,T	1	SA		NFR2	2007-001292	R-CHIP;33ohm,5%,1/16W,TP,1005	1	SNA	
HD3	1405-001192	VARIATOR;12Vdc,30A,1.6x0.8x0.55mm,T	1	SA		NFR3	2007-001292	R-CHIP;33ohm,5%,1/16W,TP,1005	1	SNA	
HD4	1405-001192	VARIATOR;12Vdc,30A,1.6x0.8x0.55mm,T	1	SA		NFR4	2007-001292	R-CHIP;33ohm,5%,1/16W,TP,1005	1	SNA	
HD5	1405-001192	VARIATOR;12Vdc,30A,1.6x0.8x0.55mm,T	1	SA		NFR5	2007-001292	R-CHIP;33ohm,5%,1/16W,TP,1005	1	SNA	
HD6	1405-001192	VARIATOR;12Vdc,30A,1.6x0.8x0.55mm,T	1	SA		NFR6	2007-001292	R-CHIP;33ohm,5%,1/16W,TP,1005	1	SNA	
HD7	1405-001192	VARIATOR;12Vdc,30A,1.6x0.8x0.55mm,T	1	SA		NFR7	2007-001292	R-CHIP;33ohm,5%,1/16W,TP,1005	1	SNA	
HD8	1405-001192	VARIATOR;12Vdc,30A,1.6x0.8x0.55mm,T	1	SA		NFR8	2007-000242	R-CHIP;1.5Kohm,5%,1/16W,TP,1005	1	SNA	
HD9	1405-001192	VARIATOR;12Vdc,30A,1.6x0.8x0.55mm,T	1	SA		OPD1	1405-001192	VARIATOR;12Vdc,30A,1.6x0.8x0.55mm,T	1	SA	
HQ1	0501-000341	TR-SMALL SIGNAL;KSC1623-L,NPN,200mW	1	SNA		OPD2	1405-001192	VARIATOR;12Vdc,30A,1.6x0.8x0.55mm,T	1	SA	
HQ2	0505-000110	FET-SILICON;2N7002,N,60V,115mA,7.5o	1	SA		OPR1	2007-000171	R-CHIP;0ohm,5%,1/16W,TP,1005	1	SNA	
HR1	2007-000171	R-CHIP;0ohm,5%,1/16W,TP,1005	1	SNA		OPR2	2007-000171	R-CHIP;0ohm,5%,1/16W,TP,1005	1	SNA	
HR10	2007-000171	R-CHIP;0ohm,5%,1/16W,TP,1005	1	SNA		OPR3	2007-000171	R-CHIP;0ohm,5%,1/16W,TP,1005	1	SNA	
HR11	2007-000171	R-CHIP;0ohm,5%,1/16W,TP,1005	1	SNA		OPR4	2007-000171	R-CHIP;0ohm,5%,1/16W,TP,1005	1	SNA	
HR12	2007-000140	R-CHIP;1Kohm,5%,1/16W,TP,1005	1	SNA		OPTICAL	3707-001083	CONNECTOR-OPTICAL;PLUG,SPDIF,-17dB,	1	SA	
HR13	2007-000093	R-CHIP;20Kohm,5%,1/10W,TP,1608	1	SNA		PC1	2203-006158	C-CER,CHIP;100nF,10%,16V,X7R,1005	1	SA	
HR14	2007-007697	R-CHIP;2.4Kohm,1%,1/16W,TP,1005	1	SNA		PC10	2203-006048	C-CER,CHIP;100nF,10%,10V,X7R,1005	1	SA	
HR17	2007-000143	R-CHIP;4.7Kohm,5%,1/16W,TP,1005	1	SNA		PC11	2203-006361	C-CER,CHIP;1000nF,10%,10V,X5R,TP,2	1	SC	
HR19	2007-000143	R-CHIP;4.7Kohm,5%,1/16W,TP,1005	1	SNA		PC13	2203-006361	C-CER,CHIP;1000nF,10%,10V,X5R,TP,2	1	SC	
HR2	2007-000171	R-CHIP;0ohm,5%,1/16W,TP,1005	1	SNA		PC15	2203-005692	C-CER,CHIP;4700nF,+80-20%,16V,Y5V,T	1	SC	
HR23	2007-000070	R-CHIP;0ohm,5%,1/10W,TP,1608	1	SNA		PC16	2203-006474	C-CER,CHIP;2200nF,20%,6.3V,X5R,201	1	SA	
HR27	2007-007467	R-CHIP;12.1Kohm,1%,1/16W,TP,1005	1	SA		PC17	2203-005065	C-CER,CHIP;1000nF,+80-20%,10V,Y5V,1	1	SNA	
HR3	2007-000171	R-CHIP;0ohm,5%,1/16W,TP,1005	1	SNA		PC18	2203-006361	C-CER,CHIP;1000nF,10%,10V,X5R,TP,2	1	SC	
HR30	2007-000171	R-CHIP;0ohm,5%,1/16W,TP,1005	1	SNA		PC19	2203-006158	C-CER,CHIP;100nF,10%,16V,X7R,1005	1	SA	
HR31	2007-001644	R-CHIP;10Kohm,0.5%,1/10W,TP,1608	1	SA		PC2	2203-006158	C-CER,CHIP;100nF,10%,16V,X7R,1005	1	SA	
HR32	2007-001644	R-CHIP;10Kohm,0.5%,1/10W,TP,1608	1	SA		PC20	2203-006158	C-CER,CHIP;100nF,10%,16V,X7R,1005	1	SA	
HR4	2007-000171	R-CHIP;0ohm,5%,1/16W,TP,1005	1	SNA		PC21	2203-005692	C-CER,CHIP;4700nF,+80-20%,16V,Y5V,T	1	SC	
HR5	2007-000171	R-CHIP;0ohm,5%,1/16W,TP,1005	1	SNA		PC22	2203-006361	C-CER,CHIP;1000nF,10%,10V,X5R,TP,2	1	SC	
HR6	2007-000171	R-CHIP;0ohm,5%,1/16W,TP,1005	1	SNA		PC3	2203-006158	C-CER,CHIP;100nF,10%,16V,X7R,1005	1	SA	
HR7	2007-000171	R-CHIP;0ohm,5%,1/16W,TP,1005	1	SNA		PC30	2203-006158	C-CER,CHIP;100nF,10%,16V,X7R,1005	1	SA	
HR8	2007-000171	R-CHIP;0ohm,5%,1/16W,TP,1005	1	SNA		PC31	2203-006361	C-CER,CHIP;1000nF,10%,10V,X5R,TP,2	1	SC	
HR9	2007-000171	R-CHIP;0ohm,5%,1/16W,TP,1005	1	SNA		PC32	2203-006361	C-CER,CHIP;1000nF,10%,10V,X5R,TP,2	1	SC	
HUR15	2007-000092	R-CHIP;15Kohm,5%,1/10W,TP,1608	1	SA		PC34	2203-002793	C-CER,CHIP;1000nF,+80-20%,25V,Y5V,2	1	SNA	
HUR16	2007-000092	R-CHIP;15Kohm,5%,1/10W,TP,1608	1	SA		PC35	2203-002793	C-CER,CHIP;1000nF,+80-20%,25V,Y5V,2	1	SNA	
HUR17	2007-000092	R-CHIP;15Kohm,5%,1/10W,TP,1608	1	SA		PC4	2203-006333	C-CER,CHIP;1000nF,20%,16V,X5R,TP,3	1	SNA	
HUR18	2007-000092	R-CHIP;15Kohm,5%,1/10W,TP,1608	1	SA		PC41	2203-006361	C-CER,CHIP;1000nF,10%,10V,X5R,TP,2	1	SC	
HUR71	2007-000171	R-CHIP;0ohm,5%,1/16W,TP,1005	1	SNA		PC47	2203-006158	C-CER,CHIP;100nF,10%,16V,X7R,1005	1	SA	
HUR72	2007-000171	R-CHIP;0ohm,5%,1/16W,TP,1005	1	SNA		PC49	2203-000234	C-CER,CHIP;0.1nF,5%,50V,C0G,TP,1005	1	SA	

Exploded Views and Parts List

Loc.No	Parts No.	Description : Specification	Q'ty	S.N.A	Remark	Loc.No	Parts No.	Description : Specification	Q'ty	S.N.A	Remark
PC5	2203-007133	C-CER,CHIP;1000nF,10%,16V,X5R,TP,2	1	SNA		Q3	0501-000465	TR-SMALL SIGNAL;MMBT3904,NPN,350mW,	1	SA	
PC52	2203-006818	C-CER,CHIP;4700nF,20%,6.3V,X5R,321	1	SA		Q4	0501-000546	TR-SMALL SIGNAL;KSA1298,PNP,200mW,S	1	SNA	
PC53	2203-006361	C-CER,CHIP;1000nF,10%,10V,X5R,TP,2	1	SC		Q5	0504-000126	TR-DIGITAL;KSR1101,NPN,200mW,4.7K/4	1	SA	
PC54	2203-006474	C-CER,CHIP;2200nF,20%,6.3V,X5R,201	1	SA		Q6	0504-000126	TR-DIGITAL;KSR1101,NPN,200mW,4.7K/4	1	SA	
PC57	2203-006361	C-CER,CHIP;1000nF,10%,10V,X5R,TP,2	1	SC		R1	2007-000148	R-CHIP;10Kohm,5%,1/16W,TP,1005	1	SA	
PC6	2203-006361	C-CER,CHIP;1000nF,10%,10V,X5R,TP,2	1	SC		R10	2007-002915	R-CHIP;4.02Kohm,1%,1/10W,TP,1608	1	SA	
PC62	2203-002982	C-CER,CHIP;6.8nF,10%,50V,X7R,1005	1	SA		R101	2007-000033	R-CHIP;0ohm,5%,1/4W,TP,3216	1	SNA	
PC7	2203-006361	C-CER,CHIP;1000nF,10%,10V,X5R,TP,2	1	SC		R102	2007-007613	R-CHIP;121ohm,1%,1/10W,TP,1608	1	SA	
PC73	2203-006361	C-CER,CHIP;1000nF,10%,10V,X5R,TP,2	1	SC		R103	2007-000148	R-CHIP;10Kohm,5%,1/16W,TP,1005	1	SA	
PC8	2203-006361	C-CER,CHIP;1000nF,10%,10V,X5R,TP,2	1	SC		R118	2007-000148	R-CHIP;10Kohm,5%,1/16W,TP,1005	1	SA	
PCON1	3710-002751	SOCKET-BOARD TO CABLE;13P,1R,1.25mm	1	SNA		R119	2007-000148	R-CHIP;10Kohm,5%,1/16W,TP,1005	1	SA	
PD1	0401-001099	DIODE-SWITCHING;1N4148WS,75V,150mA,	1	SA		R120	2007-000148	R-CHIP;10Kohm,5%,1/16W,TP,1005	1	SA	
PD2	0401-001099	DIODE-SWITCHING;1N4148WS,75V,150mA,	1	SA		R121	2007-000148	R-CHIP;10Kohm,5%,1/16W,TP,1005	1	SA	
PD4	0404-001173	DIODE-SCHOTTKY;RB081L-20,20V,5000MA	1	SA		R122	2007-000140	R-CHIP;1Kohm,5%,1/16W,TP,1005	1	SNA	
PIC1	1203-005188	IC-DC/DC CONVERTER;AOZ1021AIL,SOP,8	1	SA		R123	2007-000148	R-CHIP;10Kohm,5%,1/16W,TP,1005	1	SA	
PIC2	1203-004693	IC-SWITCH VOL. REG.;MP2380DN,SOIC,8	1	SA		R124	2007-000171	R-CHIP;0ohm,5%,1/16W,TP,1005	1	SNA	
PIC3	1203-003695	IC-POSI.FIXED REG.;NCP1117ST33T3G,S	1	SA		R126	2007-000070	R-CHIP;0ohm,5%,1/10W,TP,1608	1	SNA	
PIC4	1203-002842	IC-POSI.FIXED REG.;AP1117D-33A,TO-2	1	SA		R132	2007-000148	R-CHIP;10Kohm,5%,1/16W,TP,1005	1	SA	
PIC5	1203-002253	IC-POSI.FIXED REG.;KIA7808AF,DPAK,3	1	SNA		R137	2007-000171	R-CHIP;0ohm,5%,1/16W,TP,1005	1	SNA	
PIC6	1203-003695	IC-POSI.FIXED REG.;NCP1117ST33T3G,S	1	SA		R14	2007-000148	R-CHIP;10Kohm,5%,1/16W,TP,1005	1	SA	
PL1	3301-001202	BEAD-SMD;120ohm,4532,TP,167ohm/260M	1	SNA		R16	2007-007141	R-CHIP;240ohm,5%,1/16W,TP,1005	1	SA	
PL10	2703-003247	INDUCTOR-SMD;4.7uH,20%,9998	1	SA		R2	2007-008453	R-CHIP;1.24Kohm,1%,1/16W,TP,1005	1	SNA	
PL11	3301-001655	BEAD-SMD;33ohm,3216,3000mA,TP,16ohm	1	SA		R20	2007-000092	R-CHIP;15Kohm,5%,1/10W,TP,1608	1	SA	
PL21	2901-001281	FILTER-EMI SMD;16V,2A,-,220000pF,2	1	SNA		R21	2007-000092	R-CHIP;15Kohm,5%,1/10W,TP,1608	1	SA	
PL23	3301-001202	BEAD-SMD;120ohm,4532,TP,167ohm/260M	1	SNA		R22	2007-000148	R-CHIP;10Kohm,5%,1/16W,TP,1005	1	SA	
PL24	3301-001202	BEAD-SMD;120ohm,4532,TP,167ohm/260M	1	SNA		R23	2007-007141	R-CHIP;240ohm,5%,1/16W,TP,1005	1	SA	
PL3	2703-003248	INDUCTOR-SMD;8.2uH,20%,7272	1	SA		R24	2007-000043	R-CHIP;1Kohm,1%,1/10W,TP,1608	1	SA	
PL6	3301-001202	BEAD-SMD;120ohm,4532,TP,167ohm/260M	1	SNA		R25	2007-000043	R-CHIP;1Kohm,1%,1/10W,TP,1608	1	SA	
PL7	3301-001202	BEAD-SMD;120ohm,4532,TP,167ohm/260M	1	SNA		R26	2007-007613	R-CHIP;121ohm,1%,1/10W,TP,1608	1	SA	
PL8	3301-001202	BEAD-SMD;120ohm,4532,TP,167ohm/260M	1	SNA		R27	2007-007613	R-CHIP;121ohm,1%,1/10W,TP,1608	1	SA	
PL9	3301-001202	BEAD-SMD;120ohm,4532,TP,167ohm/260M	1	SNA		R28	2007-007141	R-CHIP;240ohm,5%,1/16W,TP,1005	1	SA	
PQ1	0501-000457	TR-SMALL SIGNAL;MMBT2222A/KST2222A,	1	SA		R29	2007-000043	R-CHIP;1Kohm,1%,1/10W,TP,1608	1	SA	
PQ2	0501-000457	TR-SMALL SIGNAL;MMBT2222A/KST2222A,	1	SA		R30	2007-000043	R-CHIP;1Kohm,1%,1/10W,TP,1608	1	SA	
PQ3	0504-000156	TR-DIGITAL;KSR2103,PNP,200MW,22K/22	1	SA		R31	2007-007613	R-CHIP;121ohm,1%,1/10W,TP,1608	1	SA	
PQ4	0504-000156	TR-DIGITAL;KSR2103,PNP,200MW,22K/22	1	SA		R33	2007-001288	R-CHIP;18ohm,5%,1/16W,TP,1005	1	SA	
PQ5	0501-000457	TR-SMALL SIGNAL;MMBT2222A/KST2222A,	1	SA		R34	2007-001288	R-CHIP;18ohm,5%,1/16W,TP,1005	1	SA	
PQ6	0504-000126	TR-DIGITAL;KSR1101,NPN,200mW,4.7K/4	1	SA		R35	2007-000139	R-CHIP;220ohm,5%,1/16W,TP,1005	1	SNA	
PR12	2007-000148	R-CHIP;10Kohm,5%,1/16W,TP,1005	1	SA		R36	2007-000139	R-CHIP;220ohm,5%,1/16W,TP,1005	1	SNA	
PR13	2007-000140	R-CHIP;1Kohm,5%,1/16W,TP,1005	1	SNA		R37	2007-000242	R-CHIP;1.5Kohm,5%,1/16W,TP,1005	1	SNA	
PR15	2007-000171	R-CHIP;0ohm,5%,1/16W,TP,1005	1	SNA		R38	2007-000242	R-CHIP;1.5Kohm,5%,1/16W,TP,1005	1	SNA	
PR16	2007-007197	R-CHIP;3.3ohm,5%,1/16W,TP,1005	1	SNA		R44	2007-000148	R-CHIP;10Kohm,5%,1/16W,TP,1005	1	SA	
PR17	3301-001689	BEAD-SMD;220ohm,2012,TP,80ohm/100MH	1	SA		R47	2007-000148	R-CHIP;10Kohm,5%,1/16W,TP,1005	1	SA	
PR19	2007-000869	R-CHIP;4.7Kohm,1%,1/10W,TP,1608	1	SNA		R49	2007-000148	R-CHIP;10Kohm,5%,1/16W,TP,1005	1	SA	
PR20	2007-000140	R-CHIP;1Kohm,5%,1/16W,TP,1005	1	SNA		R51	2007-000148	R-CHIP;10Kohm,5%,1/16W,TP,1005	1	SA	
PR22	2007-000078	R-CHIP;1Kohm,5%,1/10W,TP,1608	1	SA		R53	2007-000148	R-CHIP;10Kohm,5%,1/16W,TP,1005	1	SA	
PR23	2007-000078	R-CHIP;1Kohm,5%,1/10W,TP,1608	1	SA		R55	2007-000148	R-CHIP;10Kohm,5%,1/16W,TP,1005	1	SA	
PR24	2007-000052	R-CHIP;10Kohm,1%,1/10W,TP,1608	1	SNA		R56	2007-000148	R-CHIP;10Kohm,5%,1/16W,TP,1005	1	SA	
PR32	2007-000102	R-CHIP;100Kohm,5%,1/10W,TP,1608	1	SA		R58	2007-000148	R-CHIP;10Kohm,5%,1/16W,TP,1005	1	SA	
PR33	2007-000779	R-CHIP;33ohm,1%,1/10W,TP,1608	1	SNA		R60	2007-000148	R-CHIP;10Kohm,5%,1/16W,TP,1005	1	SA	
PR34	2007-000029	R-CHIP;0ohm,5%,1/8W,TP,2012	1	SC		R61	2007-000148	R-CHIP;10Kohm,5%,1/16W,TP,1005	1	SA	
PR35	2007-000141	R-CHIP;2.2Kohm,5%,1/16W,TP,1005	1	SA		R62	2007-000148	R-CHIP;10Kohm,5%,1/16W,TP,1005	1	SA	
PR36	2007-000141	R-CHIP;2.2Kohm,5%,1/16W,TP,1005	1	SA		R63	2007-000148	R-CHIP;10Kohm,5%,1/16W,TP,1005	1	SA	
PR37	2007-000140	R-CHIP;1Kohm,5%,1/16W,TP,1005	1	SNA		R64	2007-000148	R-CHIP;10Kohm,5%,1/16W,TP,1005	1	SA	
PR38	2007-000092	R-CHIP;15Kohm,5%,1/10W,TP,1608	1	SA		R66	2007-000148	R-CHIP;10Kohm,5%,1/16W,TP,1005	1	SA	
PR39	2007-000096	R-CHIP;30Kohm,5%,1/10W,TP,1608	1	SA		R68	2007-000148	R-CHIP;10Kohm,5%,1/16W,TP,1005	1	SA	
PR40	2007-000029	R-CHIP;0ohm,5%,1/8W,TP,2012	1	SC		R7	2007-000070	R-CHIP;0ohm,5%,1/10W,TP,1608	1	SNA	
PR41	2007-000171	R-CHIP;0ohm,5%,1/16W,TP,1005	1	SNA		R70	2007-000148	R-CHIP;10Kohm,5%,1/16W,TP,1005	1	SA	
PR5	2007-002987	R-CHIP;4.75Kohm,1%,1/10W,TP,1608	1	SNA		R72	2007-000148	R-CHIP;10Kohm,5%,1/16W,TP,1005	1	SA	
PR7	2007-008426	R-CHIP;12.4Kohm,1%,1/10W,TP,1608	1	SA		R73	2007-000148	R-CHIP;10Kohm,5%,1/16W,TP,1005	1	SA	
PR7S	2007-000287	R-CHIP;100ohm,1%,1/10W,TP,1608	1	SA		R74	2007-000148	R-CHIP;10Kohm,5%,1/16W,TP,1005	1	SA	
PR8	2007-001325	R-CHIP;3.3Kohm,5%,1/16W,TP,1005	1	SA		R75	2007-000138	R-CHIP;100ohm,5%,1/16W,TP,1005	1	SNA	
PR9	2007-000052	R-CHIP;10Kohm,1%,1/10W,TP,1608	1	SNA		R76	2007-000138	R-CHIP;100ohm,5%,1/16W,TP,1005	1	SNA	
Q1	0501-000465	TR-SMALL SIGNAL;MMBT3904,NPN,350mW,	1	SA		R80	2007-000171	R-CHIP;0ohm,5%,1/16W,TP,1005	1	SNA	
Q2	0501-000465	TR-SMALL SIGNAL;MMBT3904,NPN,350mW,	1	SA							

Loc.No	Parts No.	Description : Specification	Q'ty	S.N.A	Remark	Loc.No	Parts No.	Description : Specification	Q'ty	S.N.A	Remark
R81	2007-000171	R-CHIP;0ohm,5%,1/16W,TP,1005	1	SNA		BD01	0402-000137	DIODE-RECTIFIER;1N4007,1KV,1A,DO-41	1	SNA	
R82	2007-000148	R-CHIP;10Kohm,5%,1/16W,TP,1005	1	SA		BD02	0402-000137	DIODE-RECTIFIER;1N4007,1KV,1A,DO-41	1	SNA	
R84	2007-001292	R-CHIP;33ohm,5%,1/16W,TP,1005	1	SNA		BD03	0402-000137	DIODE-RECTIFIER;1N4007,1KV,1A,DO-41	1	SNA	
R85	2007-001292	R-CHIP;33ohm,5%,1/16W,TP,1005	1	SNA		BD04	0402-000137	DIODE-RECTIFIER;1N4007,1KV,1A,DO-41	1	SNA	
R86	2007-001292	R-CHIP;33ohm,5%,1/16W,TP,1005	1	SNA		C1S01	2201-002044	C-CERAMIC,DISC;0.1NF,10%,400V,Y5P,T	1	SA	
R87	2007-000148	R-CHIP;10Kohm,5%,1/16W,TP,1005	1	SA		C1S02	2201-002044	C-CERAMIC,DISC;0.1NF,10%,400V,Y5P,T	1	SA	
R88	2007-000148	R-CHIP;10Kohm,5%,1/16W,TP,1005	1	SA		C1S03	2301-001220	C-FILM,LEAD-PPF;100nF,10%,275V,BK,1	1	SA	
R89	2007-000148	R-CHIP;10Kohm,5%,1/16W,TP,1005	1	SA		C1S04	2301-001220	C-FILM,LEAD-PPF;100nF,10%,275V,BK,1	1	SA	
R9	2007-000148	R-CHIP;10Kohm,5%,1/16W,TP,1005	1	SA		C1S05	2401-003243	C-AL;150uF,20%,400V,WT,BK,25x30,10	1	SA	
R90	2007-000148	R-CHIP;10Kohm,5%,1/16W,TP,1005	1	SA		C1S06	2201-000987	C-CERAMIC,DISC;2.2NF,20%,400V,Y5U,B	1	SA	
R91	2007-000148	R-CHIP;10Kohm,5%,1/16W,TP,1005	1	SA		C1S10	2305-001029	C-FILM,LEAD-PEF;10nF,10%,630V,TP,12	1	SA	
R92	2007-000148	R-CHIP;10Kohm,5%,1/16W,TP,1005	1	SA		C1S11	2201-002065	C-CERAMIC,DISC;47pF,10%,1KV,SL,TP,6	1	SA	
R93	2007-001292	R-CHIP;33ohm,5%,1/16W,TP,1005	1	SNA		C1S12	2401-001583	C-AL;47uF,20%,50V,WT,TP,6.3x11.5	1	SA	
R94	2007-001292	R-CHIP;33ohm,5%,1/16W,TP,1005	1	SNA		C1S14	2401-001340	C-AL;0.47uF,20%,50V,WT,TP,5X11.5	1	SA	
R95	2007-000148	R-CHIP;10Kohm,5%,1/16W,TP,1005	1	SA		C1S15	2301-001679	C-FILM,PEF;2.2nF,5%,50V,TP,5.8x3x7m	1	SA	
R96	2007-000148	R-CHIP;10Kohm,5%,1/16W,TP,1005	1	SA		C1S30	2401-001583	C-AL;47uF,20%,50V,WT,TP,6.3x11.5	1	SA	
R97	2007-000171	R-CHIP;0ohm,5%,1/16W,TP,1005	1	SNA		C1S31	2401-003028	C-AL;100uF,20%,25V,WT,TP,6.3x11.5	1	SA	
R973	2703-000158	INDUCTOR-SMD;1uH,10%,2012	1	SA		C1S32	2301-000383	C-FILM,LEAD-PEF;10nF,5%,50V,TP,6x7x	1	SA	
R98	2007-000148	R-CHIP;10Kohm,5%,1/16W,TP,1005	1	SA		C1S33	2401-003549	C-AL;470uF,20%,25V,LZ,TP,10x16.5	1	SA	
R99	2007-000148	R-CHIP;10Kohm,5%,1/16W,TP,1005	1	SA		C1S34	2401-003028	C-AL;100uF,20%,25V,WT,TP,6.3x11.5	1	SA	
U1	1204-002978	IC-VIDEO DECODER;BCM7601YKFEGB,FCBG	1	SNA		C1S35	2401-004052	C-AL;2200UF,20%,16V,-,TP,12.5X25.5	1	SNA	
U100	0903-001580	IC-MICROCONTROLLER;BCM7620,LQFP,216	1	SNA		C1S36	2401-004052	C-AL;2200UF,20%,16V,-,TP,12.5X25.5	1	SNA	
U182	1107-001763	IC-NOR FLASH;AT26D081A-SU,8Mbit,1M	1	SNA		C1S37	2401-003480	C-AL;1000UF,20%,10V,LZ,TP,10X16MM,5	1	SA	
UD1	0406-001239	DIODE-TVS;RClamp0502B,6V,125W,SOT-5	1	SA		C1S38	2307-000103	C-FILM,LEAD-PCF;100nF,5%,50V,TP,-,5	1	SA	
UD2	0406-001239	DIODE-TVS;RClamp0502B,6V,125W,SOT-5	1	SA		C1S39	2307-000103	C-FILM,LEAD-PCF;100nF,5%,50V,TP,-,5	1	SA	
UJACK2	3722-002339	JACK-USB;4P,AU,BLK,ANGLE,A TYPE	1	SA		C1S40	2307-000103	C-FILM,LEAD-PCF;100nF,5%,50V,TP,-,5	1	SA	
UR39	2703-000402	INDUCTOR-SMD;1uH,20%,3225	1	SNA		C1S41	2201-000285	C-CERAMIC,DISC;1NF,10%,1KV,Y5P,TP,8	1	SA	
UR40	2703-000402	INDUCTOR-SMD;1uH,20%,3225	1	SNA		CN1S01	3711-000203	HEADER-BOARD TO CABLE;1WALL,2P/3P,1	1	SA	
VC12	2203-006361	C-CER,CHIP;1000nF,10%,10V,X5R,TP,2	1	SC		CN2	3711-006911	HEADER-BOARD TO BOARD;NOWALL,13P,1	1	SA	
VC13	2203-006562	C-CER,CHIP;1000nF,10%,10V,X5R,TP,10	1	SNA		D1S10	0402-000012	DIODE-RECTIFIER;UF4007,1000V,1A,DO-	1	SA	
VC15	2203-006158	C-CER,CHIP;100nF,10%,16V,X7R,1005	1	SA		D1S11	0402-000351	DIODE-RECTIFIER;1N4937,600V,1A,DO-4	1	SNA	
VC16	2203-006562	C-CER,CHIP;1000nF,10%,10V,X5R,TP,10	1	SNA		D1S30	0402-000351	DIODE-RECTIFIER;1N4937,600V,1A,DO-4	1	SNA	
VC17	2203-006562	C-CER,CHIP;1000nF,10%,10V,X5R,TP,10	1	SNA		D1S31	0402-000351	DIODE-RECTIFIER;1N4937,600V,1A,DO-4	1	SNA	
VC18	2203-006562	C-CER,CHIP;1000nF,10%,10V,X5R,TP,10	1	SNA		D1S32	0402-001624	DIODE-RECTIFIER;SF26,400V,2A,DO-15,	1	SA	
VR11	2007-008015	R-CHIP;75ohm,1%,1/16W,TP,1005	1	SNA		D1S33	0402-001624	DIODE-RECTIFIER;SF26,400V,2A,DO-15,	1	SA	
VR12	2007-008015	R-CHIP;75ohm,1%,1/16W,TP,1005	1	SNA		D1S34	0404-001234	DIODE-SCHOTTKY;SHK65-45,60V,3000mA,	1	SA	
VR15	2007-008015	R-CHIP;75ohm,1%,1/16W,TP,1005	1	SNA		D1S35	0404-001234	DIODE-SCHOTTKY;SHK65-45,60V,3000mA,	1	SA	
VR17	2007-008015	R-CHIP;75ohm,1%,1/16W,TP,1005	1	SNA		D1S38	0404-001234	DIODE-SCHOTTKY;SHK65-45,60V,3000mA,	1	SA	
VR18	2007-008015	R-CHIP;75ohm,1%,1/16W,TP,1005	1	SNA		D1S39	0404-001234	DIODE-SCHOTTKY;SHK65-45,60V,3000mA,	1	SA	
VR19	2007-008015	R-CHIP;75ohm,1%,1/16W,TP,1005	1	SNA		F1S01	3601-000383	FUSE-CARTRIDGE;250V,2.5A,TIME-LAG,C	1	SA	
VR20	2007-008015	R-CHIP;75ohm,1%,1/16W,TP,1005	1	SNA		IC1P101	1203-002183	IC-SWITCH VOL. REG.;278R12,TO-220F	1	SA	
VR23	2007-008015	R-CHIP;75ohm,1%,1/16W,TP,1005	1	SNA		IC1S01	1203-005401	IC-PWM CONTROLLER;ICE3BR0665J,DIP,8	1	SA	
VR24	2007-007441	R-CHIP;562ohm,1%,1/10W,TP,1608	1	SNA		IC1S02	0604-001028	PHOTO-COUPLER;TR,50-600%,250mW,DIP-	1	SC	
VR25	2007-000138	R-CHIP;100ohm,5%,1/16W,TP,1005	1	SNA		IC1S03	AC14-12006D	IC;KA431Z,TO-92,TAPING	1	SA	
VR26	2007-000148	R-CHIP;10Kohm,5%,1/16W,TP,1005	1	SA		J21	3811-001868	WIRE-NO SHEATH CU;SnCuFe,52mm,GRY	1	SNA	
VR27	2007-008015	R-CHIP;75ohm,1%,1/16W,TP,1005	1	SNA		J24	3811-001868	WIRE-NO SHEATH CU;SnCuFe,52mm,GRY	1	SNA	
VR28	2007-008015	R-CHIP;75ohm,1%,1/16W,TP,1005	1	SNA		L1S01	AK29-00004A	FILTER LINE NOISE;BD-P1600,SQ2116,2	1	SA	
VR29	2007-008015	R-CHIP;75ohm,1%,1/16W,TP,1005	1	SNA		L1S02	AK29-00004A	FILTER LINE NOISE;BD-P1600,SQ2116,2	1	SA	
VR30	2007-008015	R-CHIP;75ohm,1%,1/16W,TP,1005	1	SNA		L1S10	AC27-92001M	COIL-INDUCTOR;RH3.5x6.5RS,BEAD(RADI	1	SC	
VR5	2007-007307	R-CHIP;150ohm,1%,1/16W,TP,1005	1	SNA		L1S30	AK27-00008A	COIL CHOKE;BAR5*20,BD-P1600,5.5uH,2	1	SA	
X-TAL1	2801-004655	CRYSTAL-SMD;25MHz,50ppm,SK-3,18pF,2	1	SA		L1S31	3301-000297	BEAD-AXIAL;25ohm,3.6x1.2x5.7mm,-,TP	1	SA	
Y1	2801-004284	CRYSTAL-SMD;27MHz,10PPM,28-AA,N,20PF	1	SA		L1S32	3301-000297	BEAD-AXIAL;25ohm,3.6x1.2x5.7mm,-,TP	1	SA	
AK97-02762A	ASSY SMD-7601;BD-P1600/XEF,AK94-001	1	SNA		PF1S	3602-000103	FUSE-CLIP;-,-,10mohm	1	SNA		
0202-001477	SOLDER-CREAM;LST309-M,D20-45um,96.5	3.01	SNA		PF2S	3602-000103	FUSE-CLIP;-,-,10mohm	1	SNA		
AK41-00900A	PCB-MAIN;BD-P3600/XEF,EPOXY,4,00,T1	1	SNA		PT01	AK26-00040A	TRANS SWITCHING;BD-P1600,120V,J2A(J	1	SA		
AK97-02763A	ASSY MANUAL INSERT-7601;AK94-00153A	1	SNA		R1P101	2001-000429	R-CARBON;1Kohm,5%,1/8W,AA,TP,1.8x3.	1	SA		
0202-001463	SOLDER-WIRE;LFC2-W3.0,-,D3,99.79Sn/	1.573	SNA		R1P102	2001-000290	R-CARBON;10Kohm,5%,1/8W,AA,TP,1.8x3	1	SA		
0202-001492	SOLDER-WIRE FLUX;HSE-02 LFM48 SR-34	0.09	SNA		R1S01	2002-001115	R-COMPOSITION;1.5Mohm,5%,1/2W,AA,TP	1	SA		
0204-002420	SOLVENT;1M-1000,C3H7OH,96	0.002	SNA		R1S02	1404-001361	THERMISTOR-NTC;30hm,4A,-,35mW/C,0uF	1	SA		
0204-002607	FLUX;DF-234U,13%,14KG,Gravity 0.82	2.3	SNA		R1S10	2003-000011	R-METAL OXIDE(S);68Kohm,5%,3W,AA,TP	1	SA		
					R1S11	2001-000527	R-CARBON;22ohm,5%,1/8W,AA,TP,1.8x3.	1	SA		
					R1S13	2003-002284	R-METAL OXIDE;0.56ohm,5%,2W,AF,TP,3	1	SA		
					R1S14	2001-000527	R-CARBON;22ohm,5%,1/8W,AA,TP,1.8x3.	1	SA		
					R1S30	2001-000038	R-CARBON;390ohm,5%,1/4W,AA,TP,2.4x6	1	SA		
<b>P003 AK92-01779E</b>	<b>ASSY PCB SMPS;-BD-P1600/XEF,SMPS P</b>	<b>1</b>	<b>SA</b>								

Exploded Views and Parts List

Loc.No	Parts No.	Description : Specification	Q'ty	S.N.A	Remark	Loc.No	Parts No.	Description : Specification	Q'ty	S.N.A	Remark
R1S32	2001-000440	R-CARBON;1ohm,5%,1/8W,AA,TP,1.8x3.2	1	SA		SC4	2203-006048	C-CER,CHIP;100nF,10%,10V,X7R,1005	1	SA	
R1S33	3811-001868	WIRE-NO SHEATH CU;SnCuFe,52mm,GRY	1	SNA		SC5	2203-006048	C-CER,CHIP;100nF,10%,10V,X7R,1005	1	SA	
R1S35	2001-000924	R-CARBON;680ohm,5%,1/8W,AA,TP,1.8x3	1	SA		SC6	2203-006048	C-CER,CHIP;100nF,10%,10V,X7R,1005	1	SA	
R1S36	2001-000924	R-CARBON;680ohm,5%,1/8W,AA,TP,1.8x3	1	SA		SC7	2203-006048	C-CER,CHIP;100nF,10%,10V,X7R,1005	1	SA	
R1S37	2001-000924	R-CARBON;680ohm,5%,1/8W,AA,TP,1.8x3	1	SA		SC8	2203-006048	C-CER,CHIP;100nF,10%,10V,X7R,1005	1	SA	
R1S38	2004-000869	R-METAL;3Kohm,1%,1/8W,AA,TP,1.8x3.2	1	SA		SC9	2203-000386	C-CER,CHIP;0.015nF,5%,50V,COG,1005	1	SA	
R1S39	2004-000869	R-METAL;3Kohm,1%,1/8W,AA,TP,1.8x3.2	1	SA		SCON1	3708-002140	CONNECTOR-FPC/FFC/PIC;5P,1mm,SMD-S,	1	SNA	
R1S40	2004-001596	R-METAL;220ohm,1%,1/4W,AA,TP,2.4x6.	1	SA		SD1	0401-001049	DIODE-SWITCHING;LS4148,75V,150mA,SO	1	SA	
R1S41	2001-000110	R-CARBON;10ohm,5%,1/4W,AA,TP,2.4x6.	1	SA		SD2	0401-001049	DIODE-SWITCHING;LS4148,75V,150mA,SO	1	SA	
R1S42	2001-000440	R-CARBON;1ohm,5%,1/8W,AA,TP,1.8x3.2	1	SA		SD3	0401-001049	DIODE-SWITCHING;LS4148,75V,150mA,SO	1	SA	
VA1S01	1405-000186	VARIATOR;470V,2500A,17.5x7.5mm,TP	1	SA		SD4	0401-001049	DIODE-SWITCHING;LS4148,75V,150mA,SO	1	SA	
ZD1P101	0403-000355	DIODE-ZENER;UJ5.1BSB,5.5-2V,500MW,D	1	SA		SD5	0401-001049	DIODE-SWITCHING;LS4148,75V,150mA,SO	1	SA	
ZD1S10	0403-000752	DIODE-ZENER;MTJZJ22C,21.08-22.17V,50	1	SA		SD6	0401-001049	DIODE-SWITCHING;LS4148,75V,150mA,SO	1	SA	
ZD1S11	0403-000720	DIODE-ZENER;MTJZJ9.1B,8.57-9.01V,500	1	SA		SR1	2007-000152	R-CHIP;20Kohm,5%,1/16W,TP,1005	1	SNA	
ZD1S30	0403-000753	DIODE-ZENER;MTJZJ27D,26.2-27.6V,500m	1	SA		SR10	2007-000152	R-CHIP;20Kohm,5%,1/16W,TP,1005	1	SNA	
AK99-02212A		ASSY MANUAL INSERT,-,BD-P1600/XEE,S	1	SNA		SR11	2007-000152	R-CHIP;20Kohm,5%,1/16W,TP,1005	1	SNA	
0202-001463		SOLDER-WIRE;LFC2-W3.0,-,D3,99.79Sn/	2.78	SNA		SR12	2007-000152	R-CHIP;20Kohm,5%,1/16W,TP,1005	1	SNA	
0204-002420		SOLVENT;1M-1000,C3H7OH,96	0.002	SNA		SR13	2007-000152	R-CHIP;20Kohm,5%,1/16W,TP,1005	1	SNA	
0204-002607		FLUX;DF-234U,13%,14KG,Gravity 0.82	1.862	SNA		SR14	2007-000173	R-CHIP;22ohm,5%,1/16W,TP,1005	1	SA	
AK99-02214A		ASSY AUTO INSERT,-,BD-P1600/XEE,SMP	1	SNA		SR16	2007-007156	R-CHIP;1ohm,5%,1/16W,TP,1005	1	SNA	
AK41-00851B		PCB-SMPS;BD-P1600/XEF SMPS,FR-1,1,0	1	SNA		SR2	2007-000152	R-CHIP;20Kohm,5%,1/16W,TP,1005	1	SNA	
SR3	2007-003012	R-CHIP;2.2Mohm,5%,1/16W,TP,1005	1	SNA		SR3	2007-003012	R-CHIP;2.2Mohm,5%,1/16W,TP,1005	1	SNA	
SR4	2007-003012	R-CHIP;2.2Mohm,5%,1/16W,TP,1005	1	SNA		SR4	2007-003012	R-CHIP;2.2Mohm,5%,1/16W,TP,1005	1	SNA	
SR5	2007-001329	R-CHIP;7.5Kohm,5%,1/16W,TP,1005	1	SA		SR5	2007-001329	R-CHIP;7.5Kohm,5%,1/16W,TP,1005	1	SA	
SR6	2007-003012	R-CHIP;2.2Mohm,5%,1/16W,TP,1005	1	SNA		SR6	2007-003012	R-CHIP;2.2Mohm,5%,1/16W,TP,1005	1	SNA	
SR7	2007-003012	R-CHIP;2.2Mohm,5%,1/16W,TP,1005	1	SNA		SR7	2007-003012	R-CHIP;2.2Mohm,5%,1/16W,TP,1005	1	SNA	
SR8	2007-003012	R-CHIP;2.2Mohm,5%,1/16W,TP,1005	1	SNA		SR8	2007-003012	R-CHIP;2.2Mohm,5%,1/16W,TP,1005	1	SNA	
SR9	2007-003012	R-CHIP;2.2Mohm,5%,1/16W,TP,1005	1	SNA		SR9	2007-003012	R-CHIP;2.2Mohm,5%,1/16W,TP,1005	1	SNA	
SU1	1209-001851	IC-SENSOR;MST08S16,SOP,16P,9.9x3.9mm	1	SNA		SU1	1209-001851	IC-SENSOR;MST08S16,SOP,16P,9.9x3.9mm	1	SNA	
TC1	2203-007133	C-CER,CHIP;10000nF,10%,16V,X5R,TP,2	1	SNA		TC1	2203-007133	C-CER,CHIP;10000nF,10%,16V,X5R,TP,2	1	SNA	
USB JACK13722-002683		JACK-USB;4P/1C,AU,BLACK,STRAIGHT,A	1	SA		USB JACK13722-002683		JACK-USB;4P/1C,AU,BLACK,STRAIGHT,A	1	SA	
USBL1	3811-001868	WIRE-NO SHEATH CU;SnCuFe,52mm,GRY	1	SNA		USBL1	3811-001868	WIRE-NO SHEATH CU;SnCuFe,52mm,GRY	1	SNA	
VFD1	AK07-00071A	VF DISPLAY;HNV-07S579,BD-P4600,W85	1	SA		VFD1	AK07-00071A	VF DISPLAY;HNV-07S579,BD-P4600,W85	1	SA	
VFD1A	AK61-00871A	HOLDER-VFD;BD-P1600,HIPS V2,T1,W93	1	SNA		VFD1A	AK61-00871A	HOLDER-VFD;BD-P1600,HIPS V2,T1,W93	1	SNA	
VFD2	1003-002176	IC-VFD;MC3401,LQFP,44P,10x10mm,-40m	1	SA		VFD2	1003-002176	IC-VFD;MC3401,LQFP,44P,10x10mm,-40m	1	SA	
ZD1	0403-000718	DIODE-ZENER;MTJZJ6.8B,6.52-6.79V,500	1	SA		ZD1	0403-000718	DIODE-ZENER;MTJZJ6.8B,6.52-6.79V,500	1	SA	
AK99-01871A		ASSY MANUAL INSERT,-,BD-P1600,FRONT	1	SNA		AK99-01871A		ASSY MANUAL INSERT,-,BD-P1600,FRONT	1	SNA	
0202-001463		SOLDER-WIRE;LFC2-W3.0,-,D3,99.79Sn/	1.167	SNA		0202-001463		SOLDER-WIRE;LFC2-W3.0,-,D3,99.79Sn/	1.167	SNA	
0204-002420		SOLVENT;1M-1000,C3H7OH,96	0.001	SNA		0204-002420		SOLVENT;1M-1000,C3H7OH,96	0.001	SNA	
0204-002607		FLUX;DF-234U,13%,14KG,Gravity 0.82	0.903	SNA		0204-002607		FLUX;DF-234U,13%,14KG,Gravity 0.82	0.903	SNA	
AK99-01872A		ASSY SMD INSERT,-,BD-P1600,FRONT PC	1	SNA		AK99-01872A		ASSY SMD INSERT,-,BD-P1600,FRONT PC	1	SNA	
AK41-00906A		PCB-FRONT;BD-P1600,PH-1,1,00,T1.6.4	0.3	SNA		AK41-00906A		PCB-FRONT;BD-P1600,PH-1,1,00,T1.6.4	0.3	SNA	
AK99-01873A		ASSY AUTO INSERT,-,BD-P1600,FRONT P	1	SNA		AK99-01873A		ASSY AUTO INSERT,-,BD-P1600,FRONT P	1	SNA	
0202-001477		SOLDER-CREAM;LST309-M,D20-45um,96.5	0.096	SNA		0202-001477		SOLDER-CREAM;LST309-M,D20-45um,96.5	0.096	SNA	
0202-001492		SOLDER-WIRE FLUX;HSE-02 LFM48 SR-34	0.0952	SNA		0202-001492		SOLDER-WIRE FLUX;HSE-02 LFM48 SR-34	0.0952	SNA	
AK68-01774A		LABEL-STICKER DOOR;BD-P1600,BD-P160	1	SNA		AK68-01774A		LABEL-STICKER DOOR;BD-P1600,BD-P160	1	SNA	
AK99-01876A		ASSY SMD INSERT-TOUCH,-,BD-P1600,to	1	SNA		AK99-01876A		ASSY SMD INSERT-TOUCH,-,BD-P1600,to	1	SNA	
AK41-00907A		PCB-TOUCH KEY;BD-P1600,PHENOL,2,00,	0.16	SNA		AK41-00907A		PCB-TOUCH KEY;BD-P1600,PHENOL,2,00,	0.16	SNA	
BN63-05199B		COVER-SHEET;AMBER,PE,10.08,W65mm,20	0.45	SNA		BN63-05199B		COVER-SHEET;AMBER,PE,10.08,W65mm,20	0.45	SNA	
P0055	AK92-01863A	ASSY PCB KEY-TOUCH,-,BD-P1600,touch	1	SA							
R1	2001-001000	R-CARBON;82Kohm,5%,1/8W,AA,TP,1.8x3	1	SA							
R2	2001-000273	R-CARBON;100Kohm,5%,1/8W,AA,TP,1.8x	1	SA							
R3	2001-000793	R-CARBON;47ohm,5%,1/8W,AA,TP,1.8x3.	1	SA							
R4	2001-000780	R-CARBON;47ohm,5%,1/8W,AA,TP,1.8x3	1	SA							
R5	2001-000027	R-CARBON;100ohm,5%,1/4W,AA,TP,2.4x6	1	SA							
R6	2001-000027	R-CARBON;100ohm,5%,1/4W,AA,TP,2.4x6	1	SA							
SC1	2203-000386	C-CER,CHIP;0.015nF,5%,50V,COG,1005	1	SA							
SC10	2203-000386	C-CER,CHIP;0.015nF,5%,50V,COG,1005	1	SA							
SC11	2203-000386	C-CER,CHIP;0.015nF,5%,50V,COG,1005	1	SA							
SC12	2203-000386	C-CER,CHIP;0.015nF,5%,50V,COG,1005	1	SA							
SC13	2203-006048	C-CER,CHIP;100nF,10%,10V,X7R,1005	1	SA							
SC14	2203-000679	C-CER,CHIP;0.027nF,5%,50V,COG,1005	1	SNA							
SC2	2203-000386	C-CER,CHIP;0.015nF,5%,50V,COG,1005	1	SA							
SC3	2203-006048	C-CER,CHIP;100nF,10%,10V,X7R,1005	1	SA							
AK96-01096C		ASSY ENGINE P-BD DECK;BD-P5,IM PICK	1	SNA							
900	6003-001449	SCREW-TAPTYP;BH,+B,M2.6,L6,NL,PLT	4	SNA							
901	6003-001199	SCREW-TAPTYP;PWH,+B,M2,L7,ZPC(W	4	SA							
H100	AK97-02460A	ASSY FRAME-MAIN;ASSY,BD-P1600,-,-	1	SA							
H200	AK96-01014A	ASSY COVER;BD-P1600,-,-,-	1	SA							
H300	AK96-01024A	ASSY TRAVERSE;BD-P5,-,-,-	1	SA							
H301	AK61-00736A	BRACKET-SHAFT PU;DP-R3.5,SUS T1.0	1	SA							
H400	AK96-01025A	ASSY-HINGE PU;BD-P5,-,-,-	1	SA							
H401	6002-001086	SCREW-TAPPING;PH,+B,M1.7,L5.0,ZPC(C	1	SA							
H500	AK92-01849A	ASSY PCB-RELAY;BD-P5A,BD-P1600,-,-	1	SA							
H501	AK41-00890A	FFC-PU CABLE;BD-P1600,B TYPE,0.5 PI	1	SA							
PICKUP	AK96-01004A	ASSY PICK UP-BP5;SOH-BP5,BD-PLAYER,	1	SA							

Loc.No	Parts No.	Description : Specification	Q'ty	S.N.A	Remark	Loc.No	Parts No.	Description : Specification	Q'ty	S.N.A	Remark
S.N.A	3708-001878	CONNECTOR-FPC/FFC/PIC;6P,1mm,SMD-A,	1	SA		AK61-00831A	HOLDER-GT CD;SOH-BP4,Zn,T1.85,D5.6,	1	SNA		
S.N.A	3708-002018	CONNECTOR-FPC/FFC/PIC;4P,1MM,SMD-A,	1	SA		AK61-00833A	HOLDER-LD BD;SOH-BP4,Zn,T4.0,W15.2,	1	SNA		
S.N.A	3708-002067	CONNECTOR-FPC/FFC/PIC;12P,1mm,SMD-A	1	SA		AK61-00843A	SPRING ETC-PBS DVD;SOH-BP4,SUS,0.2,	1	SNA		
						AK61-00873A	BASE-PICK UP;SOH-BP5,PPS,T9,W44,L55	1	SNA		
S.N.A	AK41-00890A	FFC-PU CABLE;BD-P1600,B TYPE,0.5 PI	1	SA		AK61-00874A	SPRING ETC-PBS BD;SOH-BP5,SUS,0.15,	1	SNA		
S.N.A	AK41-00892A	FFC-DECK CABLE;BD-P1600,1.0 PITCH,2	1	SNA							
S.N.A	AK41-00893A	PCB-RELAY;BD-P1600,PHENOL,00,T1.6	1	SNA		AK61-00875A	HOLDER-CL;SOH-BP5,PPS,T1,W11.6,L26,	1	SNA		
S.N.A	AK63-00548A	COVER-UPPER;BD-P1600,ABS,W139,L175	1	SNA		AK63-00518A	COVER-FPCB;SOH-BP4,SUS304,T0.15,W3,	1	SNA		
S.N.A	AK97-01331C	ASSY-CLAMPER;POM+SECC,BD-P4,-,-	1	SNA		AK63-00539A	COVER BASE;SOH-BP5,PBS,T0.2,YEL,Pre	1	SNA		
						AK66-00076A	SHAFT-MAIN CLD;SOH-BP1,SUS303C,25.5	1	SNA		
S.N.A	AK61-00739A	BRACKET-CLAMPER;DP-R3.5L,SECC T0.6	1	SNA		AK66-00077A	SHAFT-SUB CLD;SOH-BP1,SUS303C,12.5,	1	SNA		
S.N.A	AK61-00858A	BODY-CLAMPER UPPER;BD-P4,POM	1	SNA							
S.N.A	6001-001003	SCREW-MACHINE;BH,+,M2.6,L6,ZPC(BLK)	4	SA		AK67-00044A	LENS-CL DVD;SOH-BP1,PLASTIC,NTR,PI5	1	SNA		
S.N.A	6001-001370	SCREW-MACHINE;CH,+,M1.7,L3.0,ZPC(YE	3	SA		AK67-00083A	LENS-PBS DVD;SOH-BP4,GLS,WHT,7.8*5,	1	SNA		
S.N.A	6003-001450	SCREW-TAATYPE;PH,+,S,M2.6,L5,ZPC(	2	SA		AK67-00084A	LENS-BD MR;SOH-BP4,GLS,WHT,6*6.7,T1	1	SNA		
						AK67-00085A	LENS-DVD MR;SOH-BP4,GLS,WHT,4.7*8.0	1	SNA		
S.N.A	AH61-50327A	SHAFT-PIU;DP-3,SUS,L84.7,OD3,WHT	1	SA		AK67-00086A	LENS-ASL BD;SOH-BP4,Z330R,None,PI 2	1	SNA		
S.N.A	AK31-00024A	MOTOR STEP-FEED;DP-RW,727 mA,2000 p	1	SNA							
S.N.A	AK31-00036A	MOTOR SPINDLE;BD-P2,8500,9.8mN.m,DC	1	SA		AK67-00087A	LENS-ASL DVD;SOH-BP4,ZE48R,None,PI	1	SNA		
S.N.A	AK61-00736A	BRACKET-SHAFT PU;DP-R3.5,SUS T1.0	4	SA		AK67-00090A	LENS-CD GT;Grating,B270,None,3.3*2,	1	SNA		
S.N.A	AK61-00907A	BRACKET-DECK;BD-P1600,SECC T1.2,W11	1	SNA		AK67-00094A	LENS-BD GT;Grating,B270,None,3.0*2,	1	SNA		
						AK67-00095A	LENS-PBS BD;SOH-BP5,GLS,WHT,6.2*5.0	1	SNA		
S.N.A	AK66-00050A	SHAFT-PU L98;BD-P,SUS420J2,L98,OD3,	1	SNA		AK67-00096A	LENS-BD CL;BDP5,Z340R,NTR,PI 4.6,0.	1	SNA		
S.N.A	AK73-00053A	RUBBER-DECK;DP-R4,BD-P4,BD-P5,BUTYL	4	SNA							
S.N.A	AK61-00452A	SPRING ETC-HINGE PU;DP-R2,SUS304WPB	1	SNA		AK67-00097A	LENS-BD QWP;BD QWP,GLS,WHT,4.0 *45,	1	SNA		
S.N.A	AK61-00906A	HINGE-PU;BD-P1600,POM,T8,W16,L37.9	1	SNA		AK96-01008A	ASSY FPC-BD5G FPCB;-72.6*72.8,0.8T	1	SNA		
S.N.A	6001-001730	SCREW-MACHINE;BH,+,M1.7,L2.5,ZPC(WH	2	SNA		0202-001221	SOLDER-CREAM;PF305-116HO(A),25-45 u	0.00005	SNA		
						0603-001215	PHOTO DIODE;-V,650-780nm,REEL	1	SNA		
S.N.A	6602-001076	BELT-RECTANGULAR;CR,T1.2,4.3%,1.2X2	1	SA		0603-001223	PHOTO-RECEIVER;5.0V,23mA,405nm,REEL	1	SNA		
S.N.A	AK61-00905A	FRAME-MAIN;BD-P1600,ABS,BLACK	1	SNA							
S.N.A	AK63-00549A	TRAY-DISC;BD-P2600,ABS,W123,L173.5	1	SNA		0604-001376	PHOTO-INTERRUPTER;100mW,TP	1	SNA		
S.N.A	AK64-02345A	CHASSIS-SUB;BD-P1600,ABS,W125,L58.6	1	SNA		1209-001426	IC-OSCILLATOR;EL6203,SOT-23,5P,63MI	1	SNA		
S.N.A	AK66-00061A	GEAR-PULLEY;DP-RW,POM,BLK	1	SNA		1404-001328	THERMISTOR-NTC;10Kohm,0A,3370K,0mW/	1	SNA		
						2007-000070	R-CHIP;0ohm,5%,1/10W,TP,1608	1	SNA		
S.N.A	AK66-00062A	GEAR-TRAY;DP-RW,POM,0.5,62,13.7,WHT	1	SNA		2007-000096	R-CHIP;30Kohm,5%,1/10W,TP,1608	1	SA		
S.N.A	AK66-00149A	SLIDER-CAM;BD-P1600,POM,W98.2,L27.1	1	SNA							
S.N.A	AK92-01835A	ASSY PCB MOTOR;-BD-P5,-,-	1	SNA		2007-000140	R-CHIP;1Kohm,5%,1/16W,TP,1005	2	SNA		
S.N.A	3409-001201	SWITCH-LEVER;5V,1mA,2.72deg	1	SNA		2007-000162	R-CHIP;100Kohm,5%,1/16W,TP,1005	2	SNA		
S.N.A	AK41-00887A	FFC-DECK;BD-P1600,PET,6P,T0.11	1	SA		2007-000171	R-CHIP;0ohm,5%,1/16W,TP,1005	1	SNA		
						2007-000962	R-CHIP;5.1Kohm,1%,1/10W,TP,1608	1	SA		
S.N.A	AK41-00888A	PCB-DECK;BD-P1600,PHENOL,00,T1.6	1	SNA		2007-001313	R-CHIP;330ohm,5%,1/16W,TP,1005	2	SNA		
S.N.A	AK96-01021A	ASSY MOTOR-LOAD;BD-P5,MOTOR+POM,-,-	1	SNA							
S.N.A	AH31-00053A	MOTOR DC-LOADING;JQ24-35H440,2190±	1	SNA		2007-002768	R-CHIP;6.2Kohm,1%,1/10W,TP,1608	1	SA		
S.N.A	AK66-00038A	PULLEY MOTOR;DP-R1,POM,BLK,1.95,7.4	1	SNA		2104-001087	VR-SMD;2.2Kohm,25%,0.15W,TOP	3	SNA		
	0201-000169	ADHESIVE-CYA;ARCN-A501F,NTR	0.00001	SNA		2203-000233	C-CER,CHIP;0.1nF,5%,50V,COG,1005	1	SA		
						2203-006048	C-CER,CHIP;100nF,10%,10V,X7R,1005	13	SA		
						2203-006348	C-CER,CHIP;1000nF,10%,25V,X5R,TP,16	2	SA		
	0201-001081	ADHESIVE-AA;1401C,RED,-,BOND-LOCK S	0.01	SNA							
	0201-001525	ADHESIVE-UV;8840L,YEL,TRANS,23000,D	0.00002	SNA		3301-001808	BEAD-SMD;120ohm,1005,TP,530ohm/390M	1	SA		
	0201-001819	ADHESIVE-UV;8833M,YELLOW,21000mPas,	0.06	SNA		3708-002038	CONNECTOR-FPC/FFC/PIC;20P,0.5mm,SMD	1	SA		
	0202-001499	SOLDER-WIRE FLUX;SR34 SUPER LFM-48,	0.05	SNA		3708-002203	CONNECTOR-FPC/FFC/PIC;40P,0.5mm,SMD	1	SA		
	AK68-01760A	LABEL-STICKER;SOH-BP5,0.1,10,15,WHI	1	SNA		AK41-00859A	FPC-BDP5 BDPD & LD;SOH-BDP5,1.0,	1	SNA		
						AK41-00860A	FPC-BDP5 DVD PD & LD;SOH-BDP5,1.0,	1	SNA		
AK96-01005A	ASSY-OPT;SOH-BP5,BD-PLAYER,-,-	1	SNA								
	0201-001081	ADHESIVE-AA;1401C,RED,-,BOND-LOCK S	0.01	SNA		AK41-00862A	FPC-BDP5 MAIN;SOH-BDP5,1.6,PCB,40,T	1	SNA		
	0201-001388	ADHESIVE-CYA;LOCTITE 460,WHT,45 MPA	0.005	SNA		AK96-01006A	ASSY ACT;SOH-BP5,BD-PLAYER,-,-	1	SNA		
	0201-001525	ADHESIVE-UV;8840L,YEL,TRANS,23000,D	0.00002	SNA		0201-001081	ADHESIVE-AA;1401C,RED,-,BOND-LOCK S	0.005	SNA		
	0201-001709	ADHESIVE-UV;8839L,YEL,24500mPa.s,-	0.00001	SNA		0201-001230	ADHESIVE-CYA;LOCTITE 480,BLK,300,-	0.005	SNA		
						0201-001371	ADHESIVE-SIL;KE3494,GRAY,50 PA,OL P	0.005	SNA		
	0201-001819	ADHESIVE-UV;8833M,YELLOW,21000mPas,	0.04	SNA							
	0201-001988	ADHESIVE-AA;EX-0136,WHT,20000-40000	0.00005	SNA		0201-001525	ADHESIVE-UV;8840L,YEL,TRANS,23000,D	0.00005	SNA		
	0202-001499	SOLDER-WIRE FLUX;SR34 SUPER LFM-48,	0.05	SNA		0201-001537	ADHESIVE-UV;SDM-378,WHT,11000mPas,-	0.05	SNA		
	0602-001158	DIODE-LASER;6mW,2.655nm,CAN	1	SNA		0201-001709	ADHESIVE-UV;8839L,YEL,24500mPa.s,-	0.00001	SNA		
	0602-001166	DIODE-LASER;55mW,2V,405nm	1	SNA		0201-001793	ADHESIVE-UV;8791L3,WHITE,20000mPa.s	0.01	SNA		
						0202-001499	SOLDER-WIRE FLUX;SR34 SUPER LFM-48,	0.05	SNA		
	6001-000805	SCREW-MACHINE;CH,+,M1.7,L3,NI PLT	4	SNA							
	6001-001155	SCREW-MACHINE;PH(PI2.5),+,M1.4,L3.5	1	SNA		3302-001727	MAGNET-RARE EARTH;14400Gauss,50MGOe	2	SNA		
	AK31-00041A	MOTOR STEP-CLD;SOH-BP5,3V,25-35,3V,	1	SNA		3812-001419	WIRE-NO SHEATH CU;SCW,0V,18.5mm,1/0	2	SNA		
	AK41-00858A	FPC-BDP5 CLD;SOH-BDP5,1.0,  FPCB,	1	SNA		3812-001456	WIRE-NO SHEATH CU;SCM,18.5, YELLOW	4	SNA		
	AK41-00861A	FPC-BDP5 ACT;SOH-BDP5,1.0,  FPCB,	1	SNA		6001-001291	SCREW-MACHINE;CH(0.5),*,M1.7,L4,Z	2	SA		
						AK61-00840A	HOLDER-WIRE;SOH-BP4,PPS,W13.8,L8.45	1	SNA		
AK61-00545A	SPRING ETC-CLD;SOH-BP4,STS304-WPB,0	1	SNA								
AK61-00742A	SPRING ETC-DVD GT;SOH-DR4,Cu,2.8,5,	2	SNA								
AK61-00828A	PLATE-PD BD;SOH-BP4,Zn,T2.1,W13,L7,	1	SNA		AK62-00022A	YOKE-ACT;SOH-BP4,SPCC,T1.2,W16.8,L2	1	SNA			
AK61-00829A	PLATE-PD DVD;SOH-BP4,Zn,T1.4,W11.8,	1	SNA		AK63-00506A	COVER-ACT;SOH-BP4,SUS304,T0.3,W14.4	1	SNA			
AK61-00830A	HOLDER-GT BD;SOH-BP4,Zn,T1.85,D5.6,	1	SNA		AK67-00050A	LENS-OL DVD CD;SOH-BP1,PLASTIC,NTR,	1	SNA			
						AK67-00099A	LENS-BD OL;VS3504,Plastic,NTR,PI 3.	1	SNA		

## Exploded Views and Parts List

Loc.No	Parts No.	Description : Specification	Q'ty	S.N.A	Remark
	AK97-02431A	ASSY-BLADE;SOH-BP5,-	1	SNA	
	AK66-00129A	BLADE-BDP5;SOH-B5,E5006L,BEIGE	1	SNA	
C- AV	AC39-42001R	CABLE-A/V;PVC	1	SA	
T0153	AK69-00696G	PACKING CASE;BD-P1600/XEF,CB,SW2, A	1	SA	
T0511	AK68-01819B	MANUAL USERS;BD-P1600A,XEF,FRA,ITA,	1	SA	
W001	6003-000275	SCREW-TAPTYPE;BH,+ ,B,M3,L10,ZPC(BLK	7	SA	
W009	6003-000276	SCREW-TAPTYPE;BH,+ ,B,M3,L10,ZPC(W	2	SA	
W275	6003-001561	SCREW-TAPTYPE;BH,+ ,B,M3,L6,ZPC(WH	11	SA	

Loc.No	Parts No.	Description : Specification	Q'ty	S.N.A	Remark
--------	-----------	-----------------------------	------	-------	--------

# MEMO