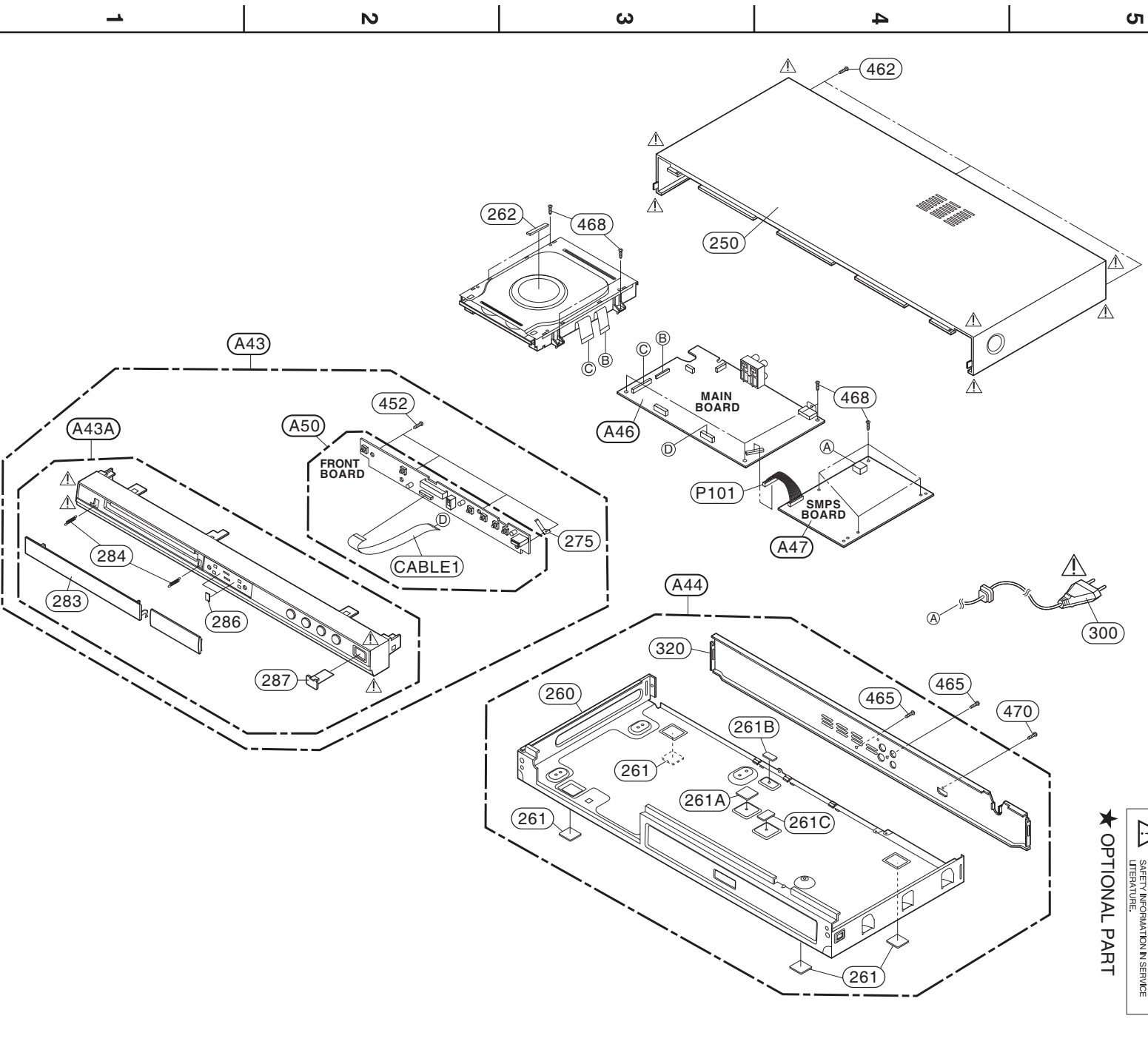


# EXPLODED VIEWS

## 1. CABINET AND MAIN FRAME SECTION



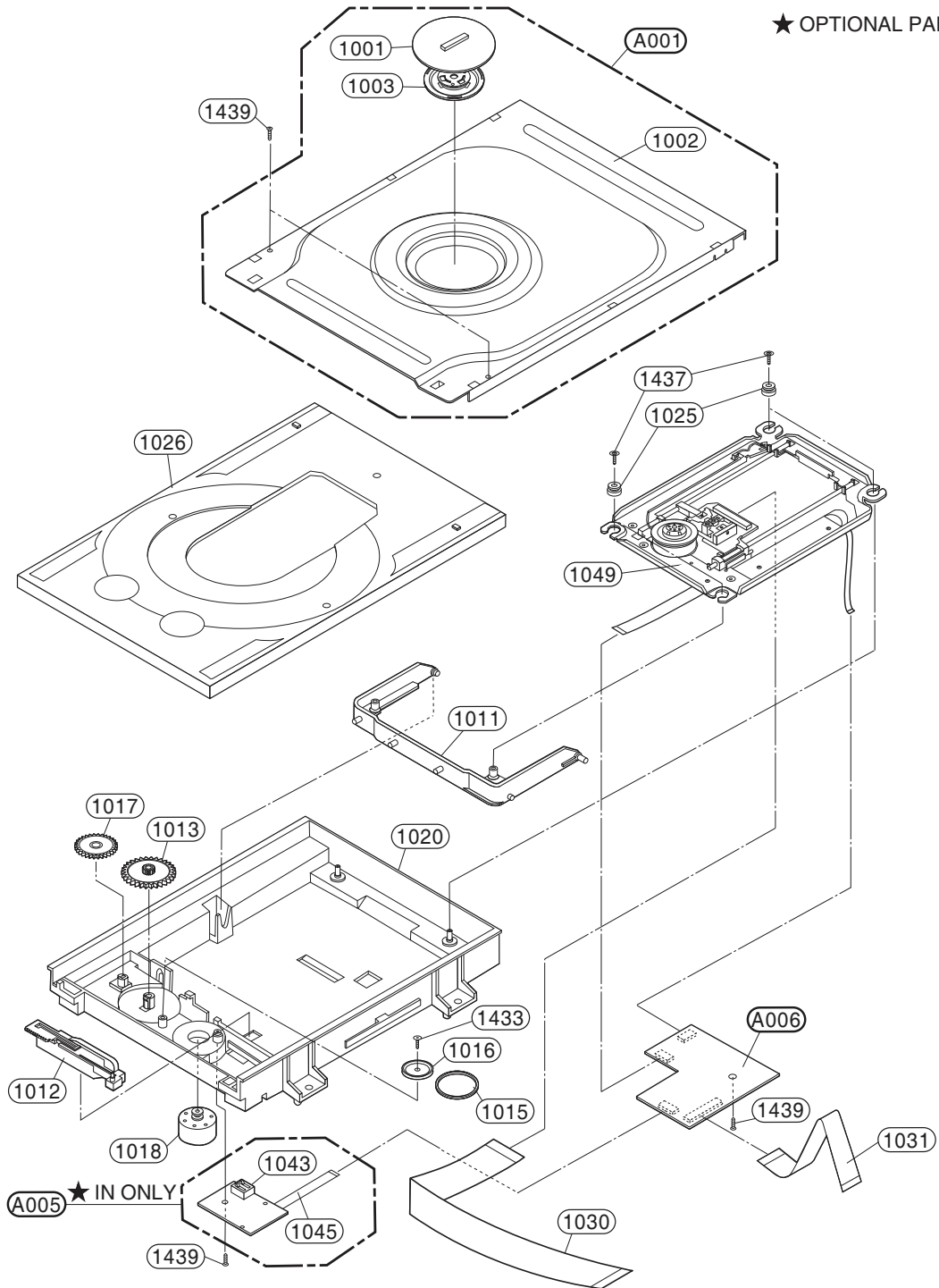
NOTES) THE EXCLAMATION POINT WITHIN AN EQUIPMENTAL TRIANGLE IS INTENDED TO ALERT THE SERVICE PERSONNEL TO THE PRESENCE OF IMPORTANT SAFETY INFORMATION IN SERVICE LITERATURE.

★ OPTIONAL PART

## 2. DECK MECHANISM SECTION (HL-06P)

■ **Service Notice** ■  
 Refer to "HOW TO USE THE SA  
 RESET FUNCTION" (Page4-6 ~ 4-7)  
 after replacing 1049.

★ OPTIONAL PART



### 3. PACKING ACCESSORY SECTION

★ OPTIONAL PART

