



Service Manual

Microwave oven AMW 204/1 WH

Model Version		Page
	AMW 204/1 WH 8587 204 99272	
	Introduction safety	2
	Technical data	3
	Spare part list	4
	Exploded view	5
	Wiring diagram	6



R o H S

Introduction safety

INTRODUCTION

Before leaving the factory each oven is carefully checked.
It must, however, be installed and used correctly.

Despite all the steps taken to make the oven safe, the safety is dependent on the correct installation and the fact the user understands how to use and maintain the oven.

The information in this section should be used as a reminder that the oven is safe and that anyone who uses it must first read the instructions for use in order to be able to use the oven correctly and obtain best results.

SAFETY

To avoid injury to yourself and damage to the appliance always work to the following rules when servicing an oven.

Always disconnect the plug from the mains before starting work.

If there is no plug switch off the electric supply at the control box.

When you have finished servicing an oven before you reconnect it to the mains, make sure that:

- all the internal connections are correct
- the wires are insulated and not touching the door or the cabinet or anything sharp
- all the earth connections are electrically and mechanically sound
- do not modify or anyway interfere with the safety devices built-in to the oven

- make sure that each replacement part you use conforms to the manufacturer's specifications

Do not start a repair if you have any doubt as to your ability to complete it.

CAUTION - MICROWAVE RADIATION

PERSONNEL SHOULD NOT BE EXPOSED TO THE MICROWAVE ENERGY WHICH MAY RADIATE FROM THE MAGNETRON, WAVEGUIDE OR ANTENNA IF THEY ARE IMPROPERLY USED OR CONNECTED. ALL INPUT AND OUTPUT MICROWAVE CONNECTIONS, WAVEGUIDES, FLANGES AND GASKETS MUST BE SECURE. NEVER OPERATE THE DEVICE WITHOUT A MICROWAVE ENERGY ABSORBING LOAD ATTACHED. NEVER LOOK INTO AN OPEN WAVEGUIDE OR ANTENNA WHILE THE DEVICE IS ENERGIZED. NEVER OPERATE AN OVEN WITH CABINET OFF WITHOUT MEASURING THE MICROWAVE LEAKAGE AROUND MAGNETRON AND VISIBLE MICROWAVE CONNECTIONS (WELDING JOINTS).

Do not operate the oven if the following conditions exist:

- the door does not close firmly against the door support because of the door being warped or the hinges damaged.
- The door trims or seals are damaged.
- If there is any visible damage to the oven.
- if the door does not close properly.

Avoid operating the oven if known components in the interlock system, oven door or microwave generating assembly are known defective. They must be replaced.

WARNING - HIGH VOLTAGE

IT IS POSSIBLE TO COME IN CONTACT WITH LETHAL HIGH VOLTAGE WHEN WORKING WITH HV TRANSFORMER, HV CAPACITOR AND MAGNETRON. THEREFORE NEVER TRY TO MEASURE THE HIGH VOLTAGE. ALWAYS TAKE UTMOST CARE WHEN PERFORMING ELECTRIC MEASUREMENTS INSIDE THE OVEN.

Technical data

Product dimensions

Height	285	mm
Width	456	mm
Depth	402	mm

Cavity dimensions

Height	196	mm
Width	295	mm
Depth	292	mm
Cavity volume	17.8	l
Turntable	272	mm

Weight

Gross	16.8	kg
Net	15.2	kg

Electrical

Voltage	230	V
Frequency	50	Hz
Current consumption	8	A

Power

Power consumption	1250	W
Output power Microwave	800	W
Grill power	1000	W
Microwave frequency	2450	MHz

Timer

electronic	99 7 power levels	min.
------------	----------------------	------

Error codes

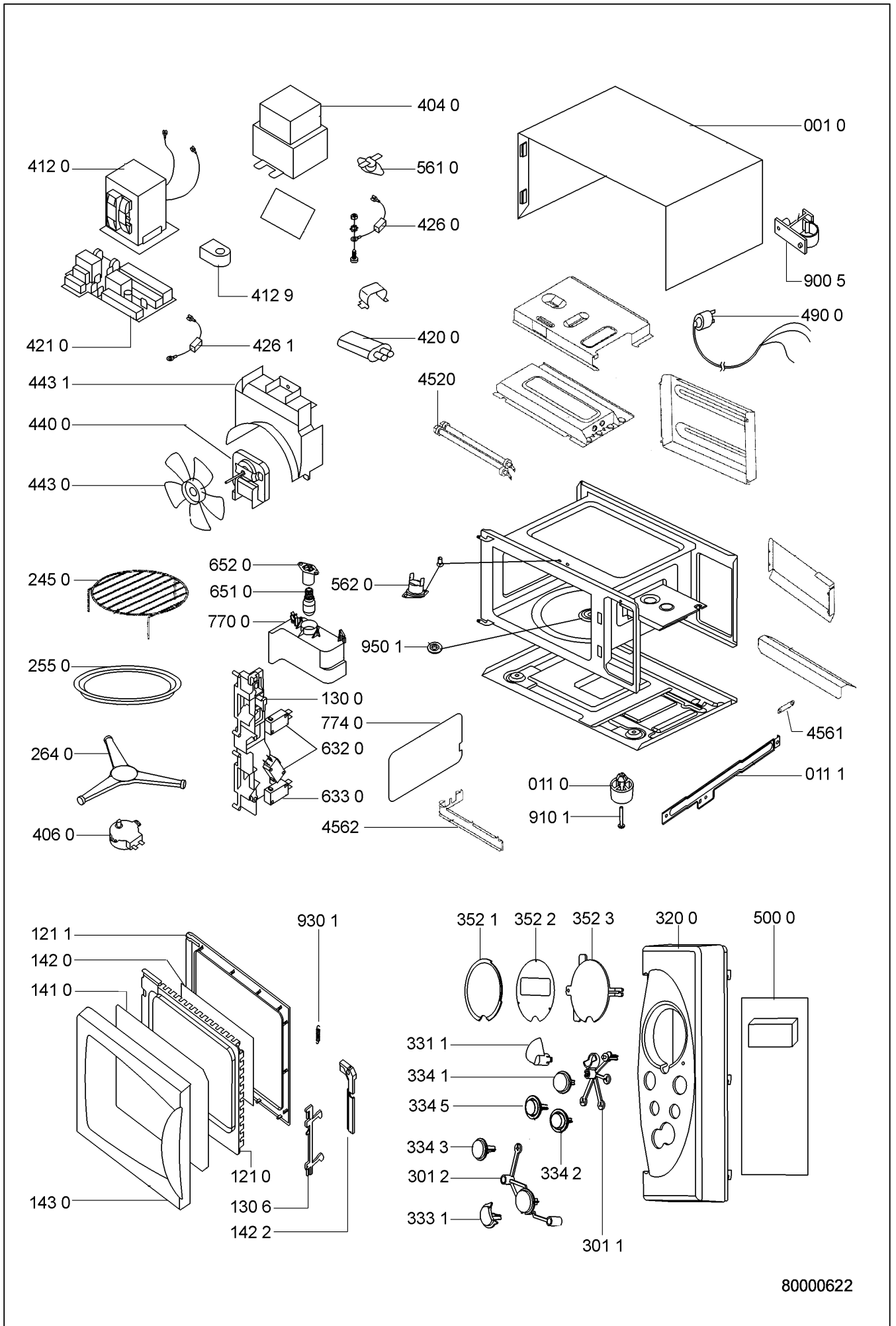
ERR 3	If any key is pressed and held for more than one minute or there is a key short circuit.
--------------	--

Spare part list

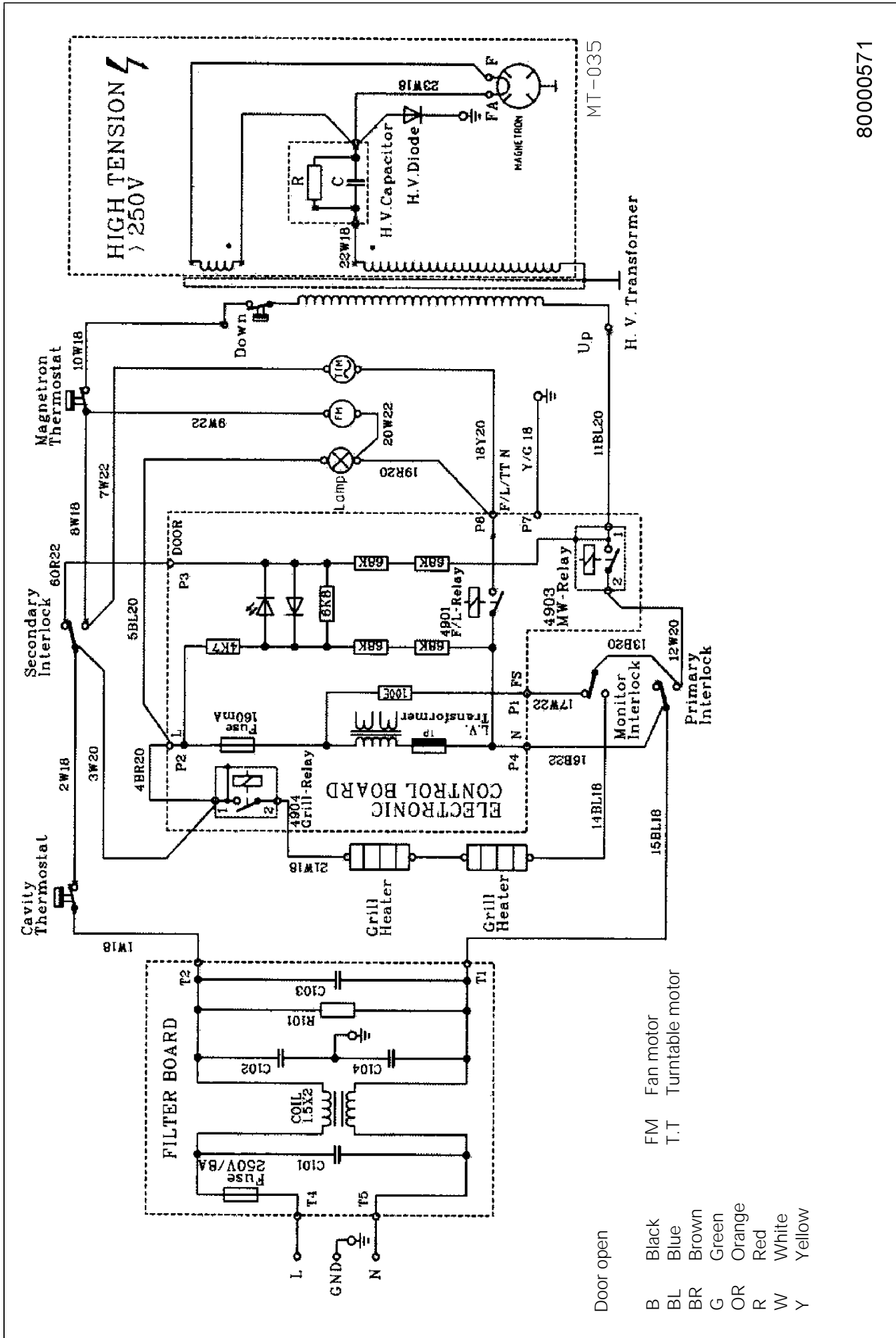
Model AMW 204/1 WH
Service No. 858720499272
Version 858720499272

Pos. No.	12NC Code	Description
001 0	4812 442 69211	Cabinet WH
011 0	4819 902 00565	Pin
011 1	4812 462 79917	Support front/back
121 0	4812 459 48126	Door inner
121 1	4812 459 48128	Door frame inner
130 0	4812 310 38706	Switch holder
130 6	4812 450 59438	Door lock
141 0	4812 450 59486	Door glass front
142 0	4812 459 48127	Oven glass inner
142 2	4812 459 48129	Support door glass
143 0	4812 459 48131	Door frame outer
245 0	4812 458 19102	Grid grill
255 0	4812 466 78398	Turntable glass
264 0	4812 535 78063	Rail Driver TT
301 1	4812 404 78728	Support button A
301 2	4812 404 78727	Support button B
320 0	4812 453 59924	Panel control WH
331 1	4812 411 29032	Knob rotacode
333 1	4812 411 28989	Knob stop WH
334 1	4812 411 28993	Knob defrost WH
334 2	4812 411 28992	Knob combi WH
334 3	4812 411 28988	Knob power WH
334 5	4812 411 28991	Knob grill WH
352 1	4812 130 38727	Lens
352 2	4812 130 38728	Plate PC
352 3	4812 130 38729	Cover lens
404 0	4812 131 58812	Magnetron
406 0	4812 361 58369	Motor TT
412 0	4812 145 38048	Transformer HT
412 9	4812 529 18058	Shock absorber
420 0	4812 121 58162	Capacitor HV
421 0	4812 121 18292	Filter, mains board
426 0	4812 218 38134	Diode HV
426 1	4812 121 18269	Diode HT double
440 0	4812 361 18489	Motor fan
443 0	4812 515 28091	Fan wheel (five)
443 1	4812 515 28093	Air guide fan
452 0	4812 259 98496	Heating element quartz
456 1	4812 259 28826	Plate tube connector
456 2	4812 259 28827	Tube support
490 0	4812 321 18269	Cable mains
500 0	4812 214 79634	Control board
561 0	4812 282 48292	Thermostat 145°C
562 0	4812 282 48264	Thermostat (165°C)
632 0	4819 902 00845	Microswitch
633 0	4819 271 38271	Microswitch
651 0	4812 134 28074	Lamp (20W)
652 0	4812 134 28073	Lamp holder
770 0	4812 526 48187	Air guide
774 0	4812 442 29264	Cover mica plate
900 5	4819 404 79411	Bracket for cable
910 1	4819 902 00694	Foot
930 1	4819 902 00868	Spring
950 1	4812 532 68104	Seal water proof

Exploded view



Wiring diagram



80000571

- Door open
- B Black
- BL Blue
- BR Brown
- G Green
- OR Orange
- R Red
- W White
- Y Yellow
- FM Fan motor
- T.T Turntable motor