

S/M No : AKR0108EF0

Service Manual

Car Audio

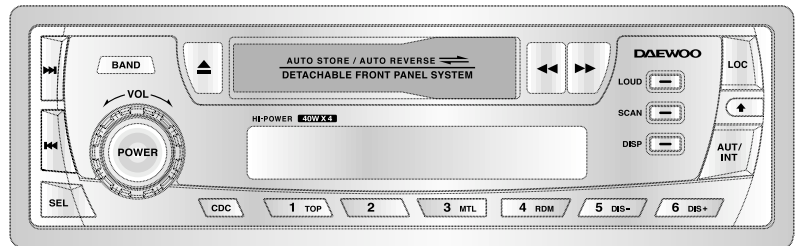
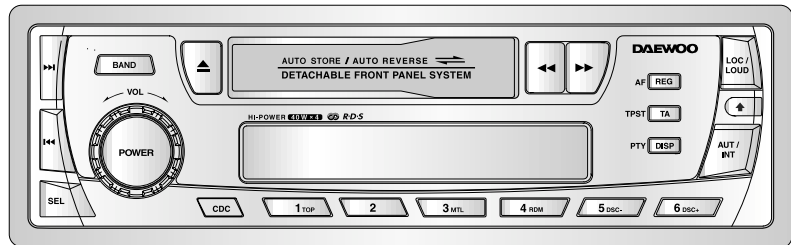
MODEL : AKR-0108 Series

■ 0106 Series

- AKR-0106A

■ 1010 Series

- AKR-1010RC
- ACR-1010RC
- AKR-1010RDS
- AKR-1010C
- AKR-1010



- 4-Channel high Power (40W x 4Ch)
- Electronic Tuning
- Electronic Volume/Bass/Treble/Balance/Fader Control
- 42 Memory Capability (18FM+12MW+12LW)
- Local/DX Switch
- Loudness Control
- Mechanical cassette Player
- Detachable Face for Anti-Theft
- 10 CD-changer control (option)

DAEWOO ELECTRONICS CO., LTD

<http://svc.dwe.co.kr>

Mar. 2001

TABLE OF CONTENTS

1. PRODUCT SPECIFICATIONS	1
2. LINE DRAWING	2
3. EMERGENCY TROUBLE SHOOT	3
4. ADJUSTMENTS	6
5. SCHEMATIC DIAGRAM	10
6. PARTS LOCATION ON P.C.BOARD	11
7. OVERALL EXPLODED VIEW & PARTS LIST	14
8. DECK MECHANISM EXPLODED VIEW & PARTS LIST	15
9. PARTS LIST	18
10. FUNCTION OF MICOM IC	22
11. IC BLOCK DIAGRAM	28
12. WIRING DIAGRAM	32
13. LIQUID CRYSTAL DISPLAY	33
14. OUTPUT CONNECTION DESCRIPTIONS	34

1. PRODUCT SPECIFICATIONS

AUDIO SECTION

Maximum output power	: 40watts per channel into 4 ohms.
Load impedance	: 4 ohms or 8 ohms
Total harmonic distortion	: Less than 10% at 12 watts
Frequency response	: 100Hz(± 3 dB), 10kHz(-5 ± 3 dB)
Control Bass/Treble	: 10 ± 3 dB at 100Hz/10kHz

TAPE SECTION

Track format	: 2-track / 2-channel system
Tape speed	: 4.75cm/sec
Wow / Flutter	: 0.35%max. (WRMS)
Frequency response	: 63Hz ~ 10kHz (± 3 dB) normal (LH)tape
Signal to noise ratio	: 50dB
Channel separation	: 35dB

TUNER SECTION

(FM) Tuning range	: 87.5 to 108MHz
Sensitivity	: 12dBuV
Stereo separation	: 30dB
Signal to noise ratio	: 55dB
Frequency range	: 87.5 ~ 108MHzII
Channel space	: 50KHz at Europe
(MW) Tuning range	: 522 to 1620kHz at Europe (530 to 1710KHz at U.S.A)
Sensitivity	: 30dBuV
Signal to noise ratio	: 50dB
Frequency range	: 522 ~ 1620KHz
Channel space	: 9KHz
(LW) Tuning range	: 144 to 288KHz
Usable Sensitivity	: 40dBuV

GENERAL

Power requirements	: DC 13.8V (10.8 ~15.6V allowable) Negative ground
Spdaker impedance	: 4 or 8 ohm
Output power	: Maximum 40Wx4Ch.
Current consumption	: 10A
Dimension (W x H x D)	: 178 x 50 x 156 mm
Chassis size	: 195 x 64 x 14.6 mm
Weight(Net)	: 1.75Kg

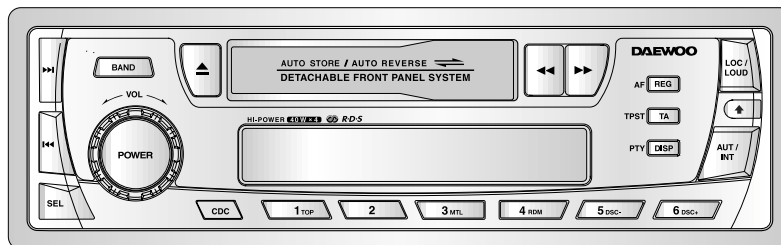
Design and specifications are subject to changes for improvements without notice.

2. LINE DRAWING

2-1. FRONT SIDE

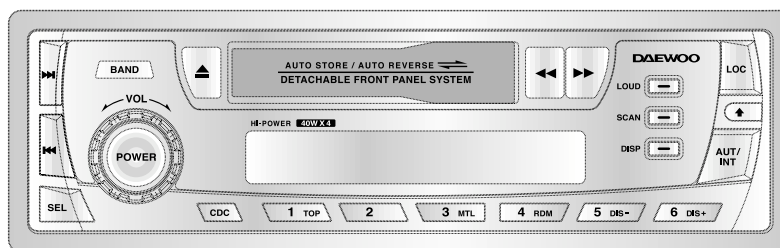
AKR-1010RC

- RDS Function
- 4-Channel high Power (40W x 4Ch)
- Electronic Tuning
- Electronic Volume /Bass /Treble /Balance /Fader Control
- 42 Memory Capability (18FM+12MW+12LW)
- Local/DX Switch
- Loudness Control
- Mechanical cassette Player
- Detachable Face for Anti-Theft
- 10 CD-changer control

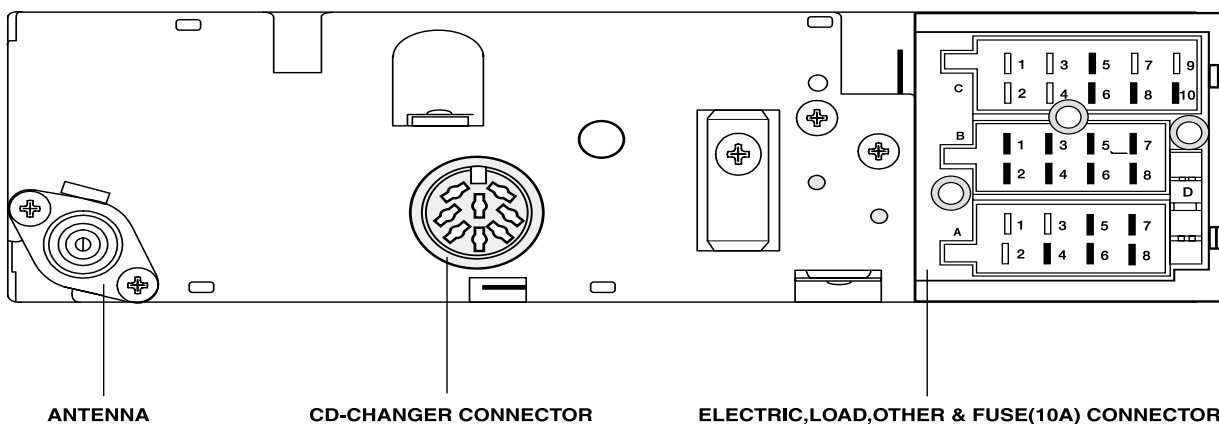


AKR-1010C ■ AKR-0106A

- Basic Function
- 4-Channel high Power (40W x 4Ch)
- Electronic Tuning
- Electronic Volume /Bass /Treble /Balance /Fader Control
- 42 Memory Capability (18FM+12MW+12LW)
- Local/DX Switch
- Loudness Control
- Mechanical cassette Player
- Detachable Face for Anti-Theft
- 10 CD-changer control

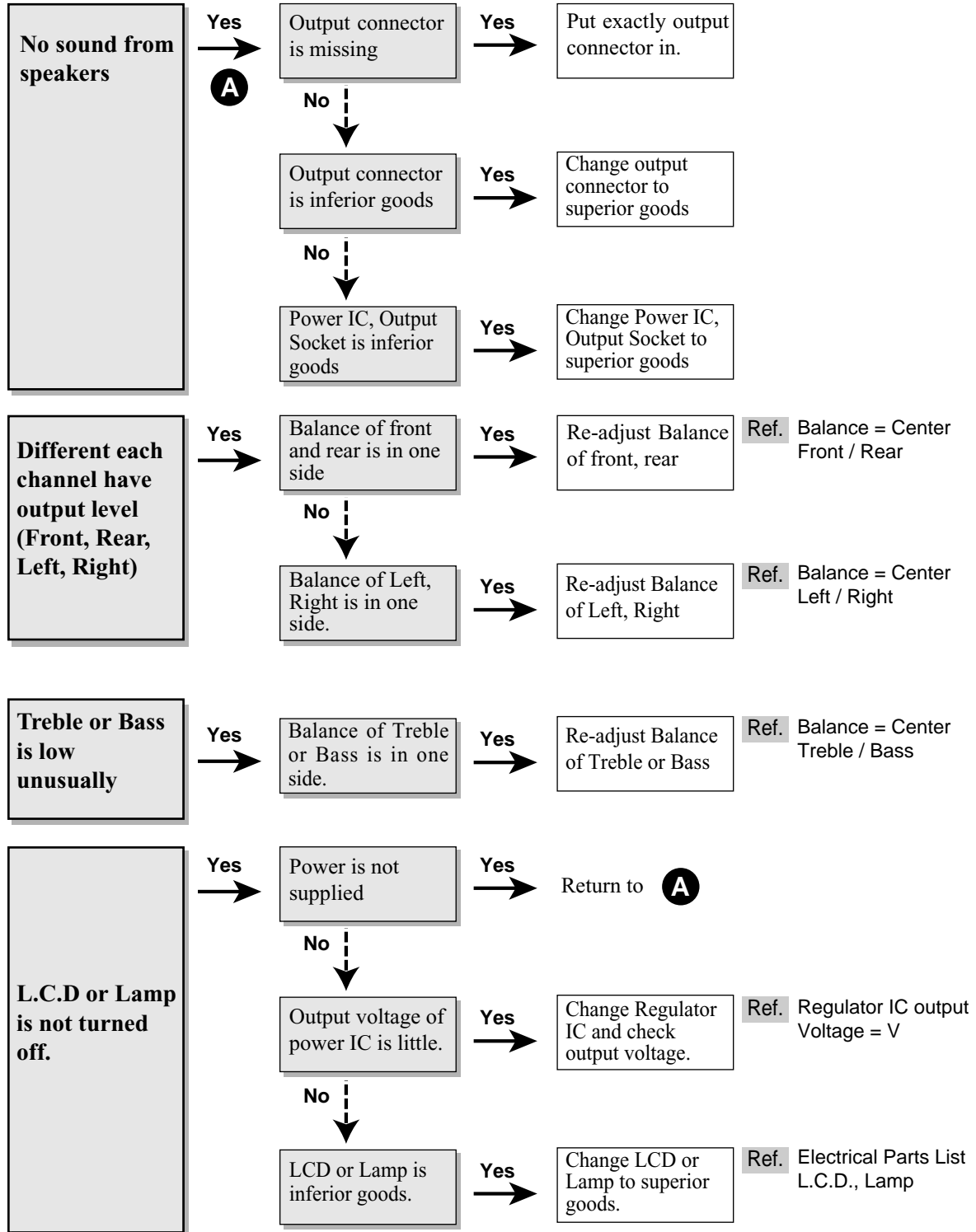


2-2. REAR SIDE

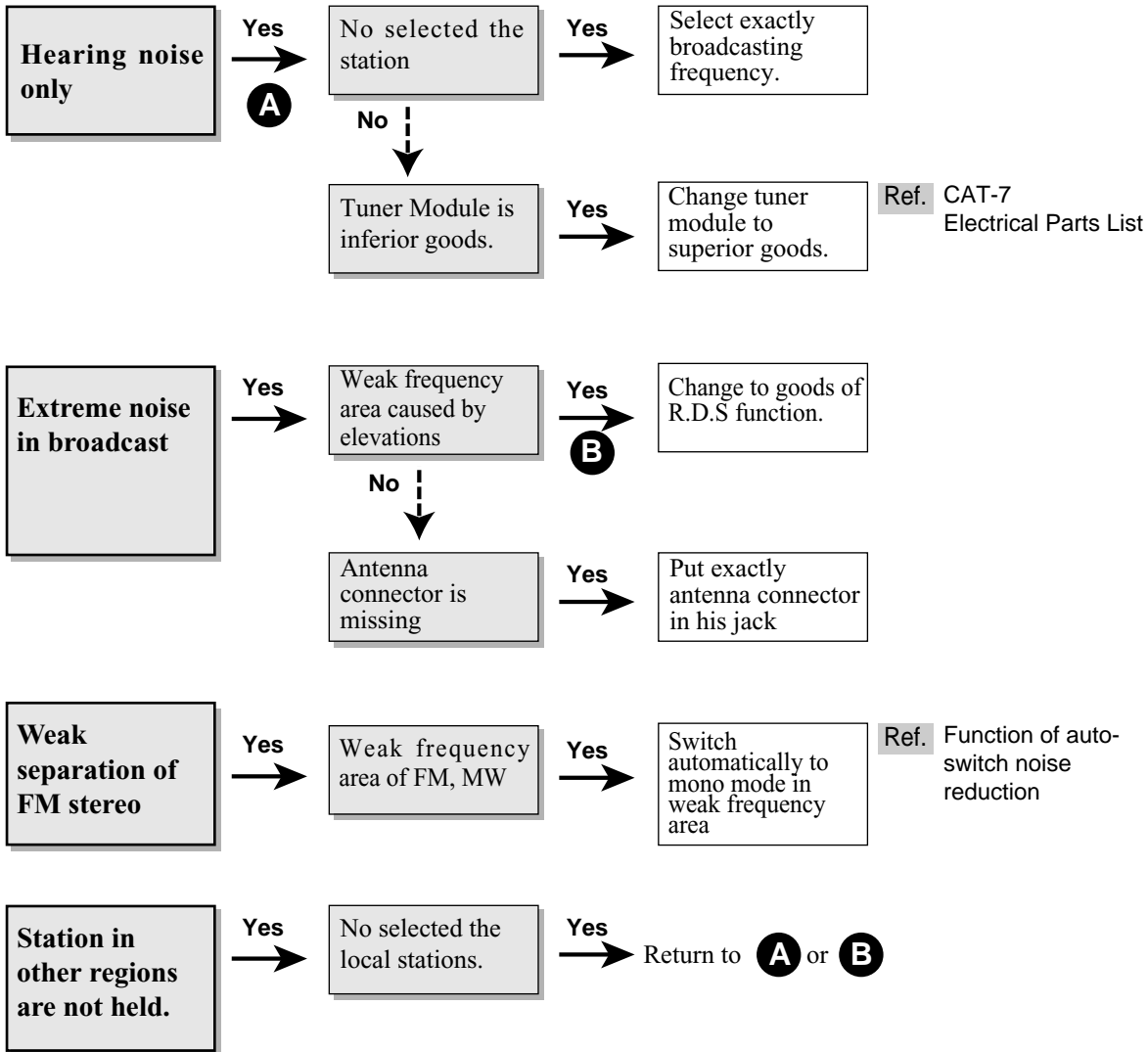


3. EMERGENCY TROUBLE SHOOT

3-1. General Function



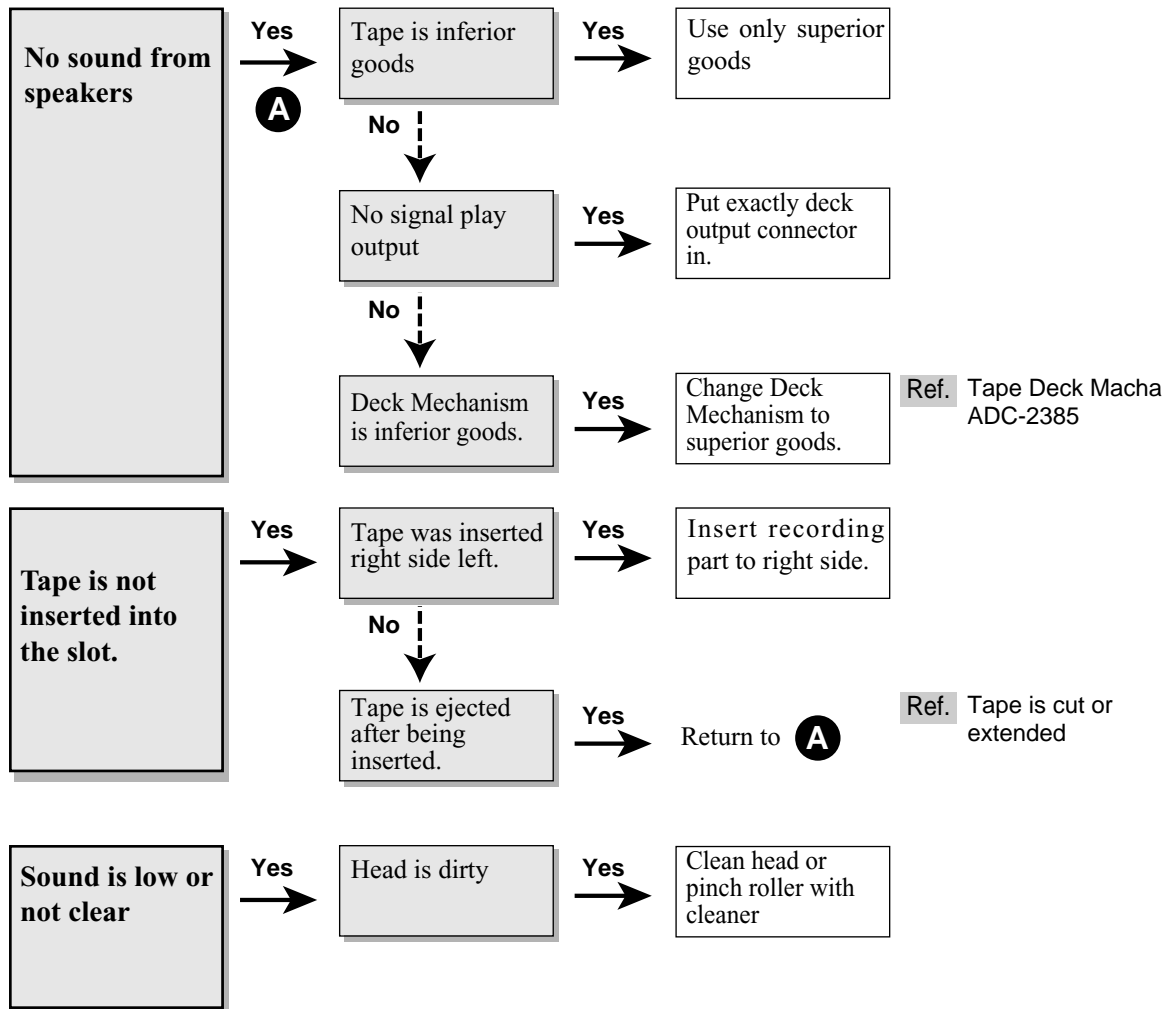
3-2. Tuner Function



R1 In case of located Glass Antenna, check if heat wire is cut or not in rear window.

R2 Check Antenna connector part.

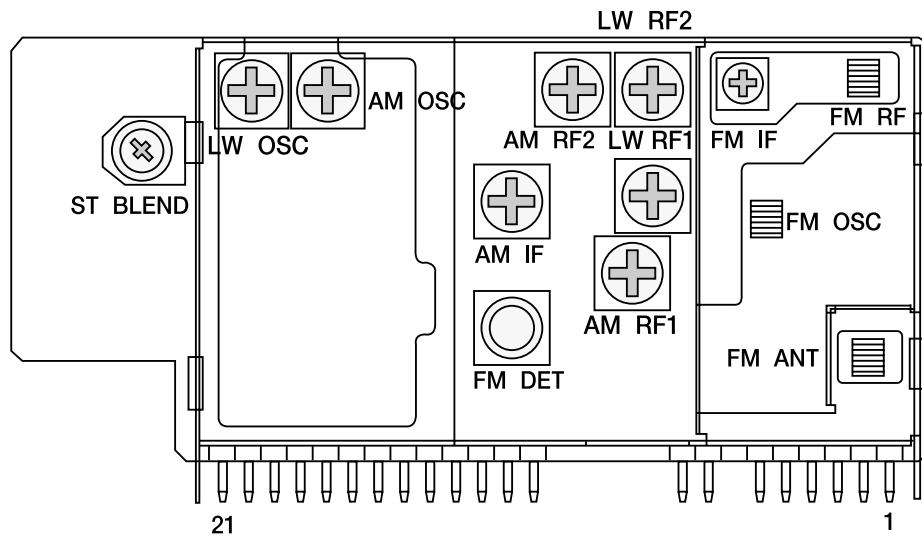
3-3. Tape Function



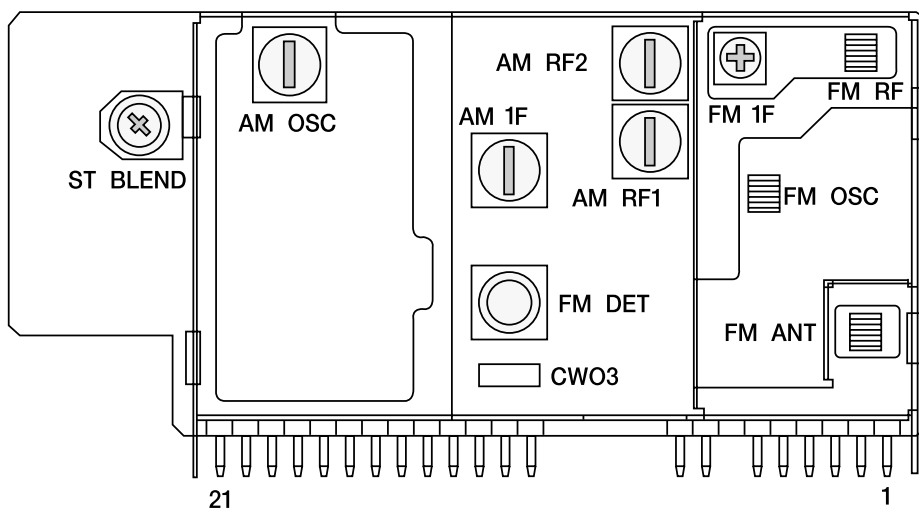
4. ADJUSTMENTS

4-1. TUNER MODULE ADJUSTMENT LOCATIONS

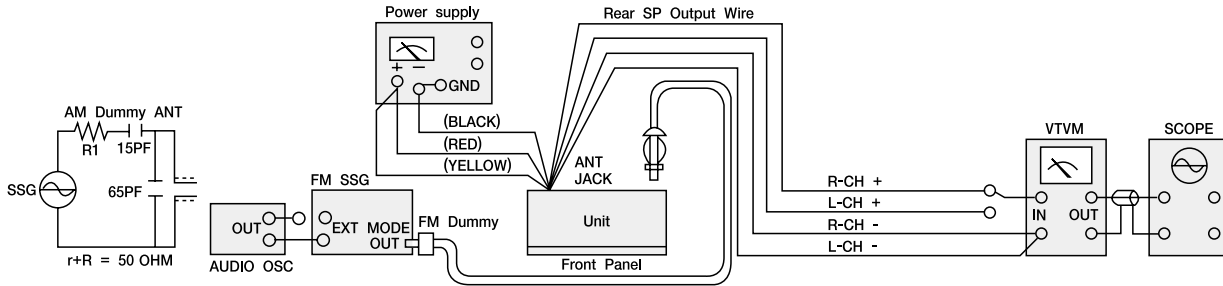
- CAT-7 (3 Band)



- CAT-6 (2 Band)

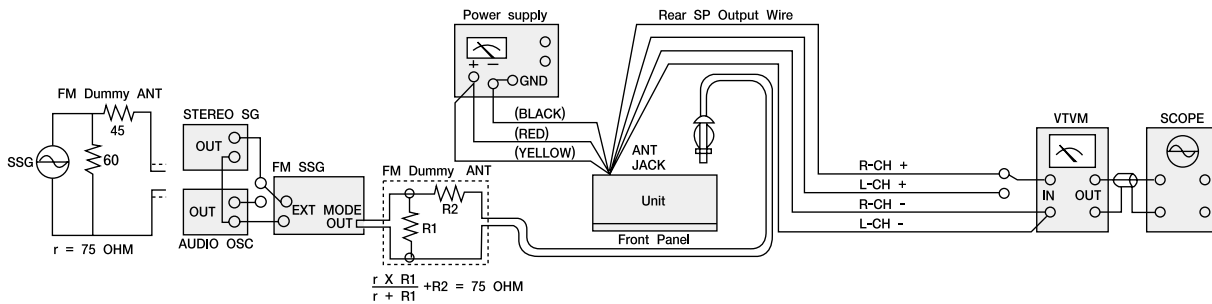


4-2. MW / LW ADJUSTMENT METHOD



STEP	ALIGNMENT	TUNING	TEST POSITION	SSG FREQUENCY	ALIGNMENT	INDICATOR
MW	Band Covering Range	522 KHz	V.T point of AM Board	522 KHz	AMOSC	MAXIMUM
		1620 KHz		1620 KHz	-	7.6V
	IF	522 KHz	Output	450 KHz	AMIF	MAXIMUM
	TRACKING	603 KHz	Output	603 KHz	AMRF1 AMRF2	MAXIMUM
1404 KHz		Output	1404 KHz	AMRF1 AMRF2	MAXIMUM	
LW	Band Covering Range	144 KHz		144 KHz	LWOSC	MAXIMUM
	TRACKING	220 KHz	Output	220 KHz	LMRF1 LMRF2	MAXIMUM

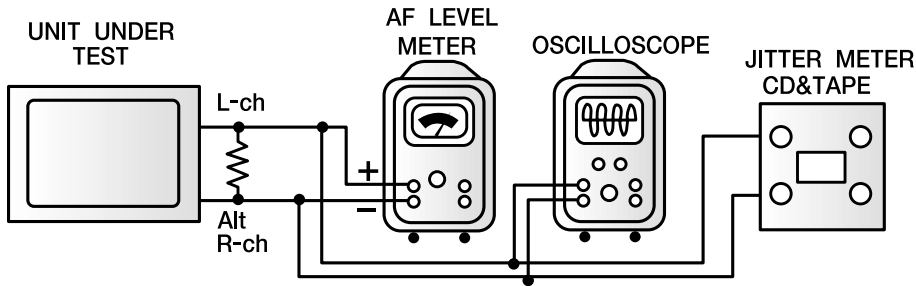
4-3. FM ADJUSTMENT METHOD



STEP	SUBJECT	FEED SIGNAL		MEASURE OUTPUT	ADJUST POINT	ADJUSTMENT
		FROM	TO			
1	IF adjust	98.1 MHz, ANT input 60dBu, 1kHz (30% MOD) FM SSG	ANT jack and GND	The voltage between CW03	FM DET	Adjust for $0V \pm 0.05V$
2	MPX IC Separation Control	98.1 MHz, ANT input 40dBu, 1kHz (L+R=45% L-R=45% PILOT=10% MOD)	ANT jack and GND	L or R CH SP. output wire VTVM and Scope	ST BLEND	L, R separation 8dB

4-4. TAPE ADJUSTMENT METHOD

- NOTE :**
1. Clean the playback head before adjustment
 2. Prepare the test tape MTT-114 or equivalent
 3. Balance, Fader, Bass & TrebleCenter position. Volume adjusted to 2Volts.



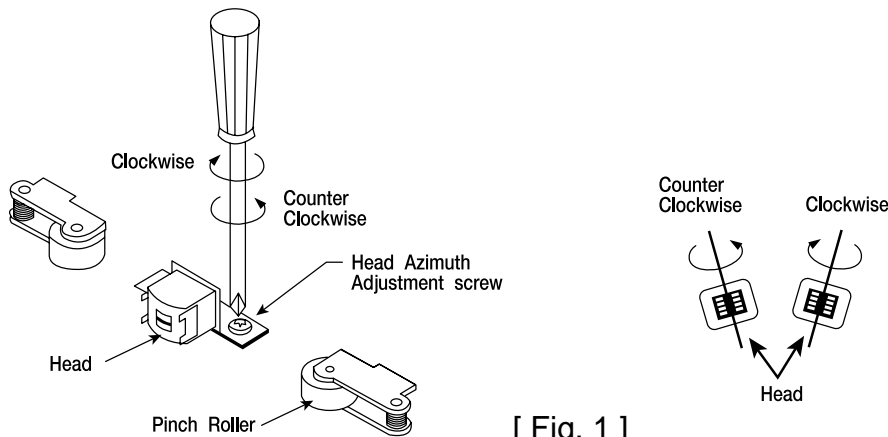
STEP	DESCRIPTION	TEST TAPE	TEST POINT	ADJUSTMENT POINT	ADJUSTMENT
1	Head azimuth adjustment	MTT-114N or equivalent	Speaker Output	Head azimuth adjustment screw (Fig. 1)	Turn the azimuth adjustment screw to obtain maximum level
2	Tape Speed	MTT-114N or equivalent	Speaker Output	Tape Speed adjustment (Fig. 1)	Adjust for 3010-3020Hz

Note :

<u>dBu</u>	<u>uV</u>	<u>dBu</u>	<u>uV</u>
17	5.0	33	44.6
16	6.31	35	56.2
30	31.6	45	178

NOTE : Antenna signal is used.

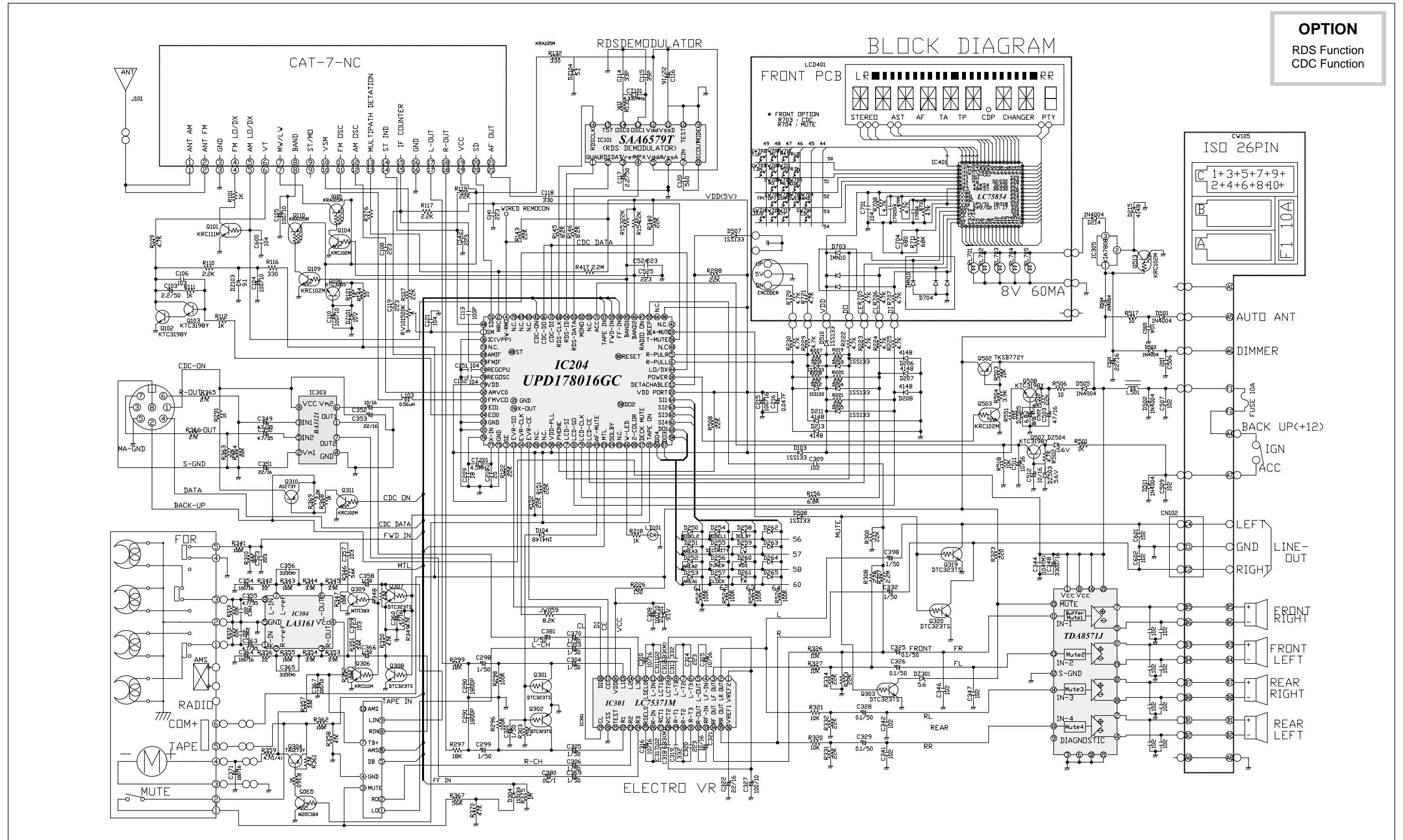
1. For Signal Generator with readings in EMF(Open type) add 12dB (6dB for the "Dummy" and 6dB for EMF-reading).
2. For Signal Generator with reading in dBm add 6 dB for "Dummy"



[Fig. 1]

5. SCHEMATIC DIAGRAMS

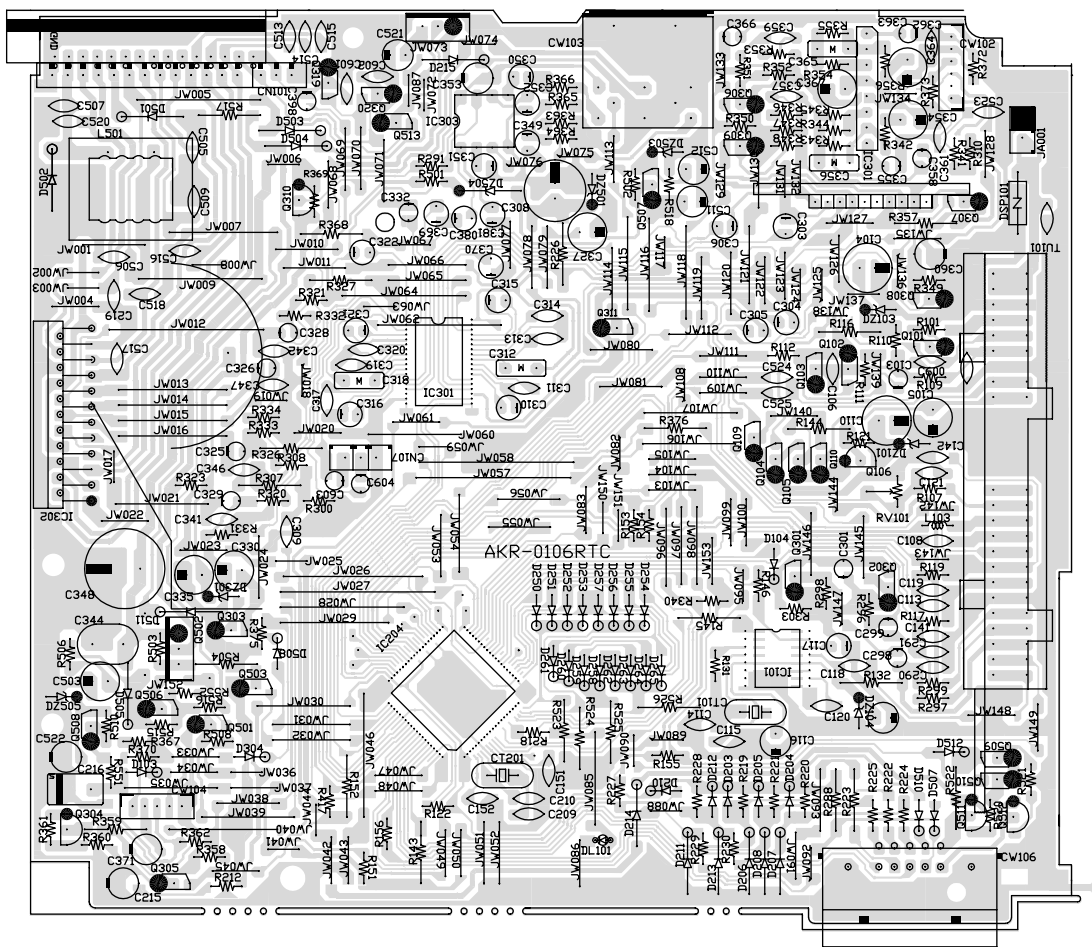
for AKR-1010 & AKR-0106 Series



6. PARTS LOCATION ON P.C. BOARD

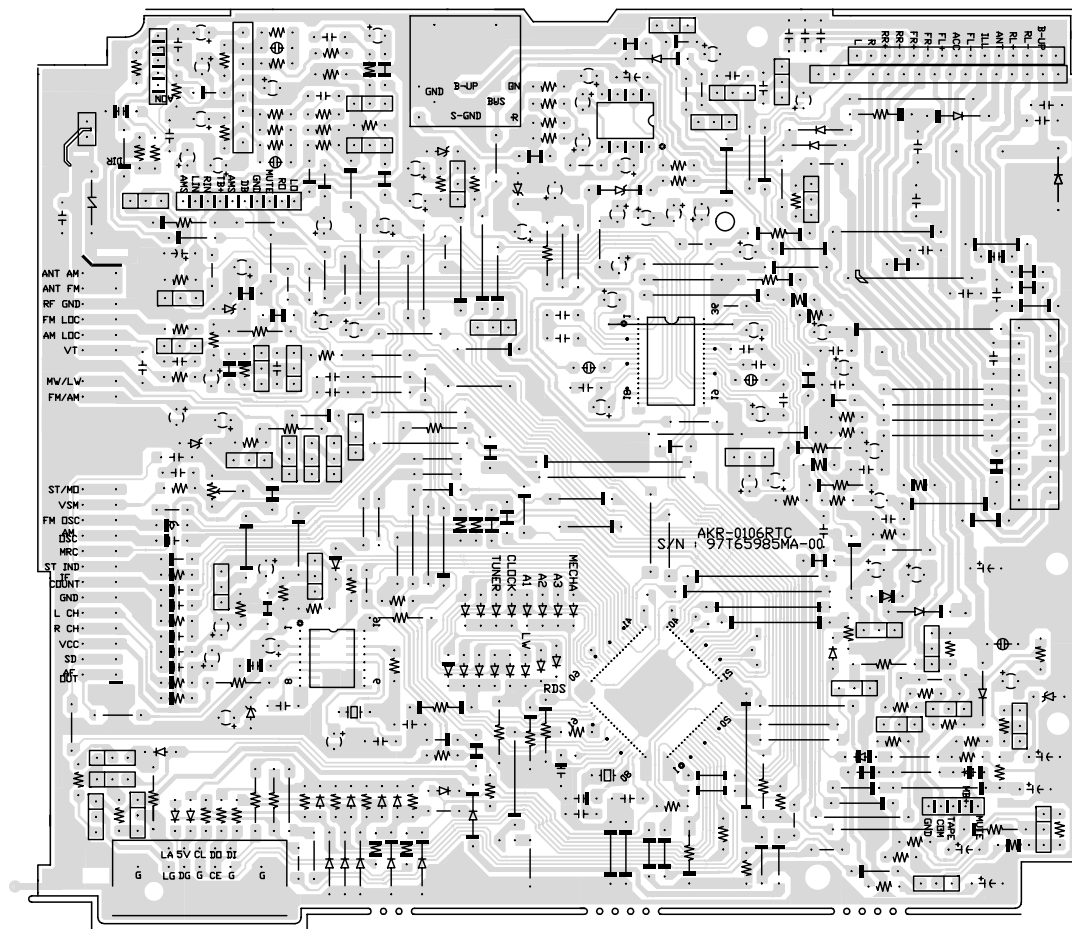
6-1. PCB MAIN

PART SIDE



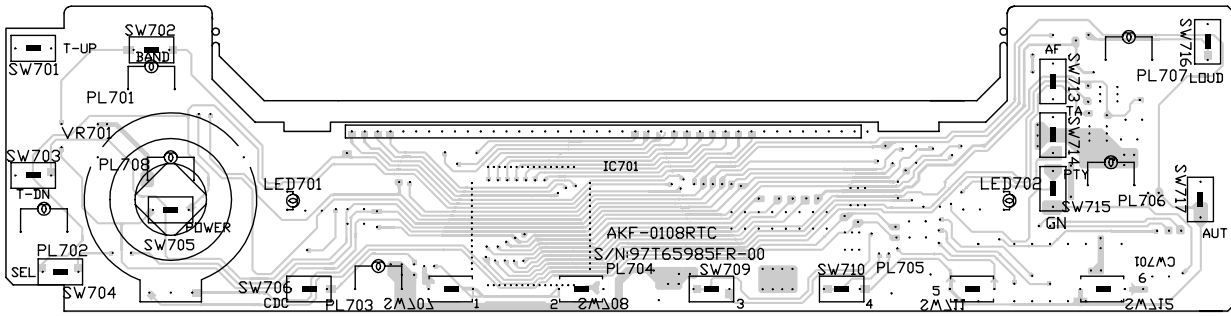
PARTS LOCATION ON P.C. BOARD for AKR-1010 & AKR-0106Series

BOTTOM SIDE

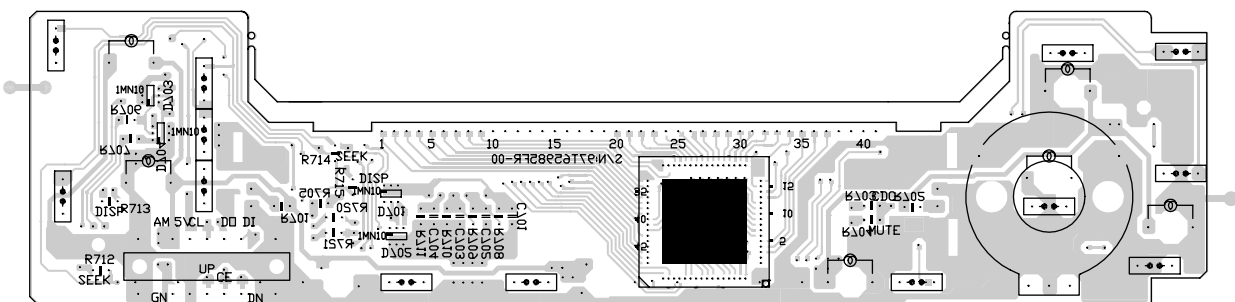


6-2. PCB FRONT

PART SIDE

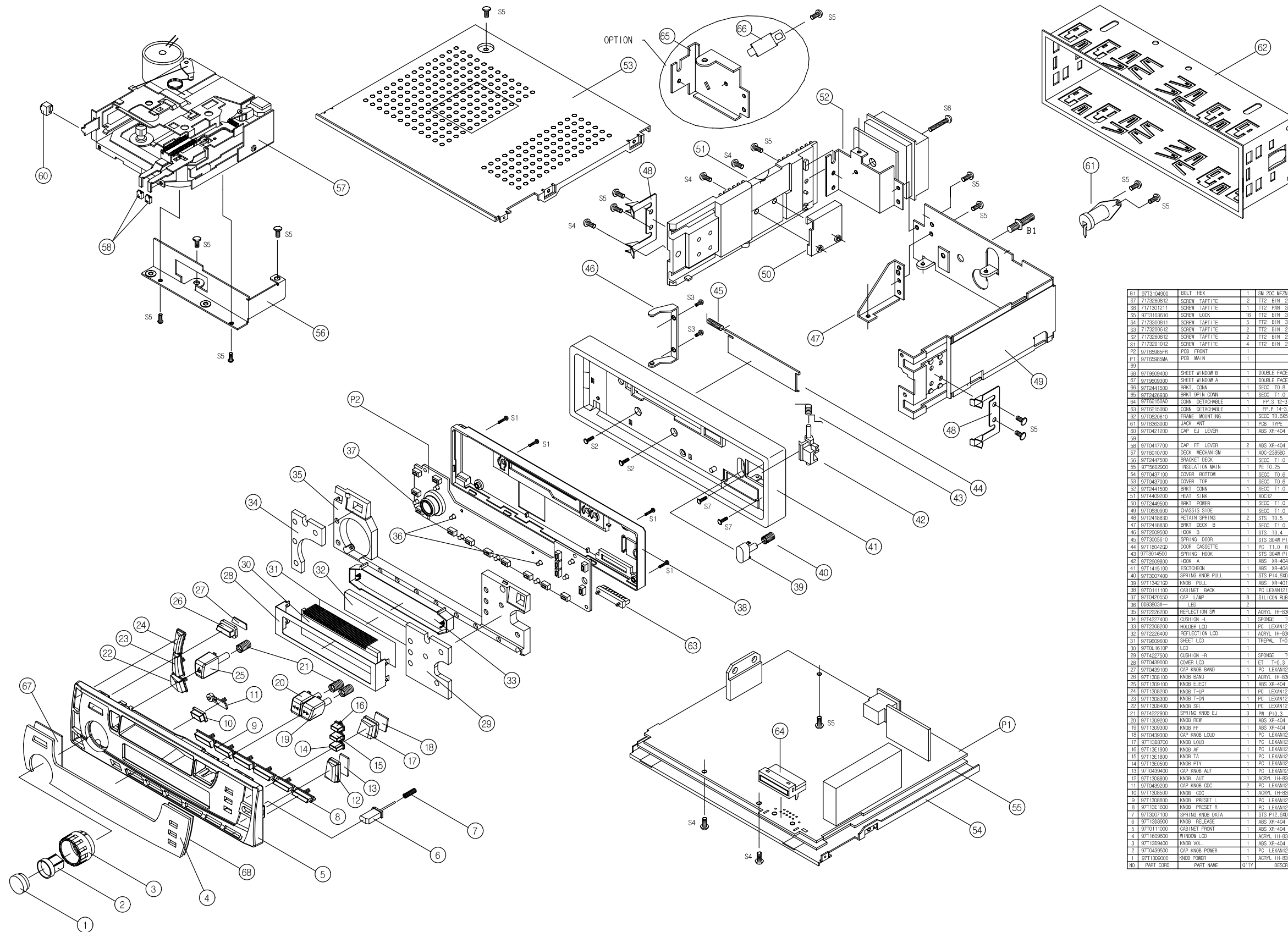


BOTTOM SIDE



7. OVERALL EXPLODED VIEW & PARTS LIST

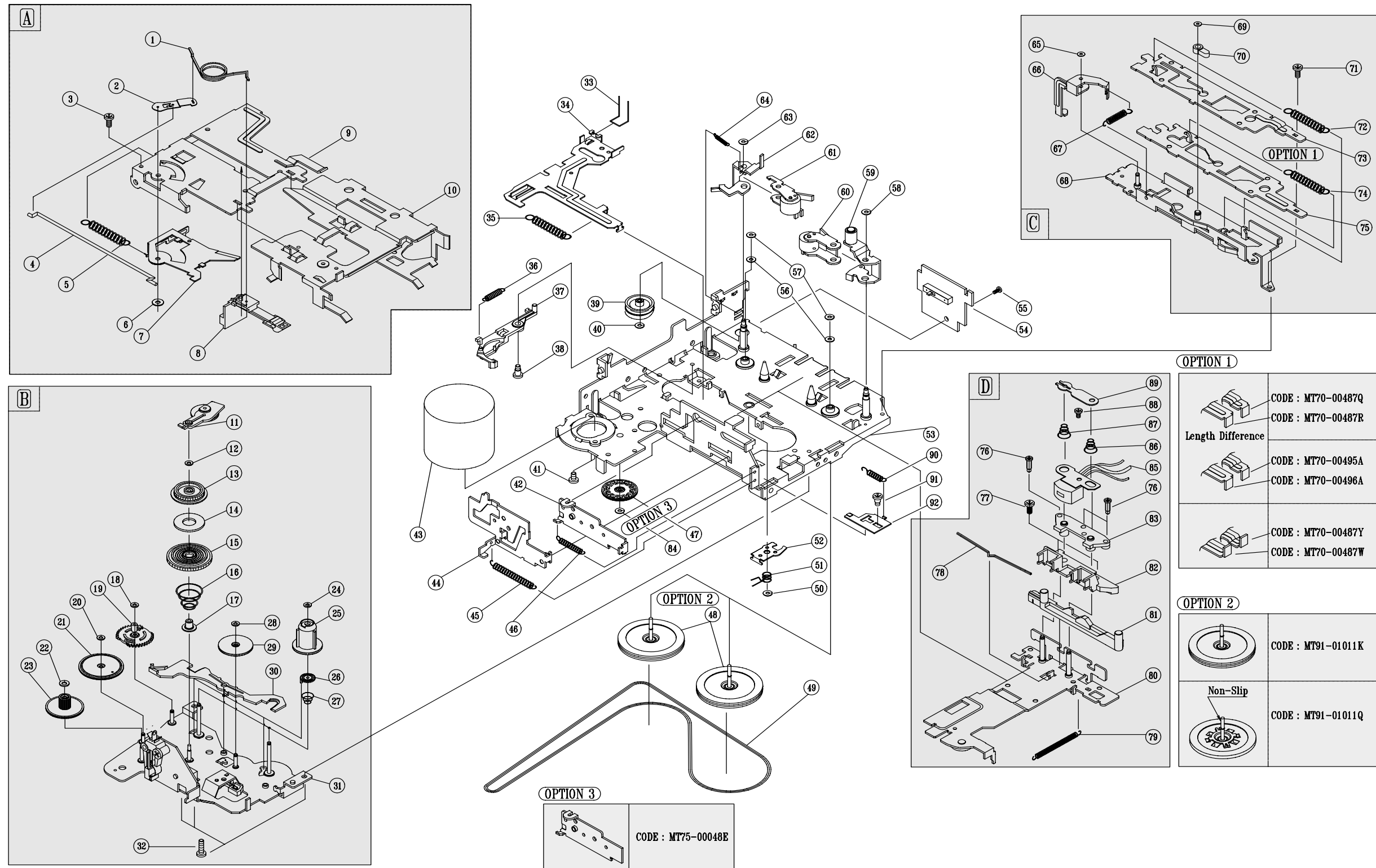
for AKR-1010 & AKR-0106 Series



B1	9773104900	BOLT HEX	1	SM 20C MFZN	
S7	717320812	SCREEN TAPITTE	2	TT2 B1N 2.6X5 BK	
S8	717330211	SCREEN TAPITTE	1	TT2 PAN 3X12 MFZN	
S5	9773102910	SCREEN LOCK	16	TT2 B1N 2X6 MFZN W/LOCK	
S4	7173300911	SCREEN TAPITTE	5	TT2 B1N 2X6 MFZN	
S3	7173300612	SCREEN TAPITTE	2	TT2 B1N 2X6 MFZN BK	
S2	717330812	SCREEN TAPITTE	2	TT2 B1N 2.6X5 BK	
S1	7173301012	SCREEN TAPITTE	4	TT2 B1N 2X10 BK	
P2	97705989FR	PCB FRONT	1	-	
P1	97705989MA	PCB MAIN	1	-	
R9					
R8	9773000400	SHEET WINDOW B	1	DOUBLE FACE	
R7	9770000300	SHEET WINDOW A	1	DOUBLE FACE	
R6	9772441500	BRKT CORR	1	SEC. TO.8	
R5	9772420200	BRKT SPIN CORR	1	SEC. T1.0	OPTION
R4	9770215040	CORN DETACHABLE	1	PP S 12-3 24-95	
R3	9770215080	CORN DETACHABLE	1	PP S 14-3 14-95	
R2	9770209110	FRAME MOUNTING	1	SEC. TO.6X5X180.5X70	
R1	9770363000	JACK ANT	1	PCB TYPE	
R0	9770421200	CAP EJ LEVER	1	ABS XR-404 BLACK	
R9					
R8	9770417700	CAP FF LEVER	2	ABS XR-404 BLACK	
R7	97701010700	DECK MECHANISM	1	ADC-2385B	
R6	9772447500	BRACKET DECK	1	SEC. T1.0	
R5	9770405000	INSULATION MAIN	1	PE TO.25	
R4	9770431700	COVER BOTTOM	1	SEC. TO.6	
R3	9770437000	COVER TOP	1	SEC. TO.6	
R2	9772441500	BRKT CORR	1	SEC. T1.0 FOR ISO CORR	
R1	9774402000	HEAT SINK	1	ADC12	
R0	9774404000	BRKT POWER	1	SEC. T1.0	
R9	9770053000	CHASSIS SIDE	1	SEC. T1.0	
R8	9772418830	RETAIN SPRING	2	STS TO.5	
R7	9772418830	BRKT DECK B	1	SEC. T1.0	
R6	9770009000	HOOK	1	STS TO.4	
R5	977000910	SPRING DOOR	1	STS 3048 P12.4X00.25X7	
R4	9771904920	DOOR CASSETTE	1	PC T1.0 REF DESIGN	
R3	9773014500	SPRING HOOK	1	STS 3048 P13.5X00.55	
R2	9770209800	HOOK A	1	ABS XR-404 BLACK	
R1	9771441100	ESCTOPELON	1	ABS XR-404 BLACK	
R0	9773007400	SPRING KNOB PULL	1	STS P14.6X00.4X17	
R9	9771342100	KNOB PULL	1	ABS XR-401 BLACK	
R8	9770111100	CABINET BACK	1	PC LEXAN121 BLACK	
R7	9770402050	CAP LAMP	8	SILICON RUBBER GREEN	
R6	0063903X	LED	2	-	
R5	9772262000	REFLECTION SW	1	ACRYL IH-830H CLEAR	
R4	9774227400	CUSHION -L	1	SPONGE T-3.0	
R3	9772306300	HOLDER LCD	1	PC LEXAN121 WHITE	
R2	9772294400	REFLECTION LCD	1	ACRYL IH-830H CLEAR	
R1	9770909600	SHEET LCD	1	TREPAL T-0.25	
R0	977014610P	LCD	1	-	
R9	9774227500	CUSHION -R	1	SPONGE T-3.0	
R8	9770408000	COVER LCD	1	ET T-0.3	
R7	9770430100	CAP KNOB BAND	1	PC LEXAN121 MILKY	
R6	9771308100	KNOB BAND	1	ACRYL IH-830H CLEAR	
R5	9771309100	KNOB EJECT	1	ABS XR-404 BLACK	
R4	9771308200	KNOB I-UP	1	PC LEXAN121 CLEAR	
R3	9771308300	KNOB I-DN	1	PC LEXAN121 CLEAR	
R2	9771308400	KNOB SEL	1	PC LEXAN121 CLEAR	
R1	9774227000	SPRING KNOB EJ	3	PH P10.3	
R0	9771309200	KNOB REW	1	ABS XR-404 BLACK	
R9	9771308300	KNOB FF	1	ABS XR-404 BLACK	
R8	9770430300	CAP KNOB LOUD	1	PC LEXAN121 MILKY	
R7	9771308700	KNOB LOUD	1	PC LEXAN121 MILKY	
R6	9771308100	KNOB AF	1	PC LEXAN121 CLEAR	
R5	97713081800	KNOB PA	1	PC LEXAN121 CLEAR	
R4	97713082500	KNOB PTY	1	PC LEXAN121 CLEAR	
R3	9770439400	CAP KNOB AUT	1	PC LEXAN121 MILKY	
R2	9771308800	KNOB AUT	1	ACRYL IH-830 CLEAR	
R1	9770430200	CAP KNOB CDC	2	PC LEXAN121 MILKY	
R0	9771308500	KNOB CDC	1	ACRYL IH-830 CLEAR	
R9	9771308900	KNOB PRESET L	1	PC LEXAN121 CLEAR	
R8	97713081000	KNOB PRESET R	1	PC LEXAN121 CLEAR	
R7	9773007100	SPRING KNOB DATA	1	STS P12.6X00.25X12.5	
R6	9771308900	KNOB REC-ASC	1	ABS XR-404 BLACK	
R5	9770111000	CABINET FRONT	1	ABS XR-404 BLACK	
R4	9771609600	WINDOW LCD	1	ACRYL IH-830 CLEAR	
R3	9771309400	KNOB VOL	1	ABS XR-404 BLACK	
R2	9770430500	CAP KNOB POWER	1	PC LEXAN121 MILKY	
R1	9771309000	KNOB POWER	1	ACRYL IH-830 CLEAR	
NO.	PART QTY	PART NAME	Q'TY	DESCRIPTION	REMARK

8. DECK MECHANISM EXPLODED VIEW & PARTS LIST

for AKR-1010 & AKR-0106 Series



DECK MECHANISM EXPLODED VIEW & PARTS LIST
for AKR-1010 & AKR-0106 Series

8-2. PARTS LIST for ADC-2385

No	PART NAME	PART LIST	Q'TY	No	PART NAME	PART LIST	Q'TY
A	A ASS'Y-CASE	MT90-24010K	1	36	SPRING ARM LOCK	6107-000249	1
1	SPRING-F	6107-000323	1	37	ARM LOCK	MT72-00380G	1
2	ASS'Y CASE L/P	MT75-00047X	1	38	SCREW ARM LOCK	6009-000333	1
3	SCREW (M2*4)	6003-000305	1	39	PULLEY CENTER	MT72-00104A	1
4	SPRING L/P	6107-000369	1	40	WASHER(1.2*3*0.25T)	6031-000431	1
5	SPRING E/P	6107-000339	1	41	SCREW(M2*2.5)	6001-001048	2
6	WASHER(1.6*3.5*0.25T)	6031-000446	1	42	ASS'Y -EJECT A C/K	MT75-00047U	1
7	CASE E/P	MT70-00439B	1	43	ASS'Y MOTOR	MT90-11010N	1
8	ARM-C	MT72-00027A	1	44	LEVER EJECT-B	MT70-00438R	1
9	CASE CASSETTE	MT70-00076A	1	45	SPRING EJECT-B	6107-001023	1
10	HOLDER-C	MT70-00438T	1	46	SPRING EJECT-A	6107-001022	1
B	ASS'Y-CHASSIS REEL	MT90-23020A	1	47	GEAR 18.6B	MT66-00016A	1
11	ASS'Y ARM PLAY	MT90-11011A	1	48	ASS'Y FLYWHEEL(option)	MT91-01011B	2
12	WASHER(1*3.2*0.25T)	6031-001032	1	49	BELT(120.2)	6602-000106	1
13	GEAR CLUTCH 1	MT72-00331N	1	50	WASHER(2.1*5*0.5T)	6031-001082	1
14	FELT CLUTCH	MT74-00091C	1	51	SPRING LEVER PLAY	6107-001028	1
15	GEAR CLUTCH 2	MT72-00331P	1	52	LEVER PLAY	MT70-00438W	1
16	SPRING CLUTCH	6107-001021	1	53	ASS'Y CHASSIS MAIN	MT90-02013J	1
17	CLUTCH BODY	MT72-00046A	1	54	ASS'Y PCB HEAD	MT91-21013R	1
18	WASHER(1.2*3.5*0.5T)	6031-000575	1	55	SCREW(2*3.7)	6003-000322	1
19	GEAR CAM	MT72-00331M	1	56	WASHER(1.9*3.2*0.25)	6031-000464	2
20	WASHER(1.2*3*0.25T)	6031-000431	1	57	E-RING(\varnothing 1.5)	6044-000272	2
21	GEAR SENSOR	MT66-00025A	1	58	WASHER(2.1*4*0.4T)	6031-000486	1
22	WASHER(1.2*3*0.25T)	6031-000431	1	59	ASS'Y ARM C/R	MT90-11010P	1
23	GEAR 19.6B	MT66-00017A	1	60	ASS'Y PINCH R	MT90-15010E	1
24	WASHER(1.2*3.2*0.35T)	6031-000433	2	61	ASS'Y PINCH F	MT90-15010D	1
25	GEAR REEL	MT72-00379D	2	62	LEVER PRO	MT70-00438P	1
26	SENSOR PULLEY	MT72-00126A	2	63	WASHER(2.1*4*0.4T)	6031-000486	1
27	SPRING B/T	6107-000191	2	64	SPRING LEVER PRO	6107-001026	1
28	WASHER(1.2*3*0.25T)	6031-000431	1	C	ASS'Y BASE FF/REW	MT75-00050A	1
29	GEAR PLAY-B	MT72-00379C	1	65	WASHER(1.2*3.2*0.35T)	6031-000430	1
30	ARM SENSOR	MT72-00331G	1	66	LEVER LOCK	MT70-00438Y	1
31	ASS'Y CHASSIS REEL	MT75-00047K	1	67	SPRING LEVER LOCK	6107-001048	1
32	SCREW(M2*4)	6003-000305	3	68	ASS'Y BASE FR C/K	MT75-00047V	1
33	SPRING SWITCH	MT61-00002A	1	69	WASHER(2.1*5*0.5T)	6031-001082	1
34	LEVER SWITCH	MT70-00438Z	1	70	STOPPER LEVER	MT72-00379E	1
35	SPRING TRIGGER	6107-001061	1	71	SCREW(M2*4)	6003-000305	1

DECK MECHANISM EXPLODED VIEW & PARTS LIST
for AKR-1010 & AKR-0106 Series

No	PART NAME	PART LIST	Q'TY	PART NAME	PART LIST	Q'TY
72	SPRING FF/REW	6107-001054	1	OPTION 1		
73	LEVER FF	MT70-00487K	1	ASS'Y BASE FF/REW	MT75-00051A	1
74	SPRING FF/REW	6107-001054	1	LEVER FF	MT70-00487Q	1
75	LEVER REWIND	MT70-00487L	1	LEVER REWIND	MT70-00487R	1
D	ASS'Y BASE HEAD	MT91-02011K	1	ASS'Y BASE FF/REW	MT75-00052A	1
76	SCREW AZIMUTH	6009-000334	1	LEVER FF	MT70-00495A	1
77	SCREW (M2*5.5)	6003-000295	2	LEVER REWIND	MT70-00496A	1
78	SPRING PINCH	6107-000366	1	ASS'Y BASE FF/REW	MT75-00053A	1
79	SPRING BASE HEAD	6107-001049	1	LEVER FF	MT70-00487Y	1
80	ASS'Y BASE HEAD C/K	MT90-02013H	1	LEVER REWIND	MT70-00487W	1
81	PLATE HEAD-B	MT72-00331K	1	OPTION 2		
82	HOLDER H/B	MT72-00056A	1	ASS'Y FLYWHEEL (D-CAST)	MT91-01011K	1
83	PLATE HEAD-A	MT72-00079A	1			1
84	SCREW AZIMUTH	6009-000334	1	ASS'Y FLYWHEEL (N/S S/F)	MT91-01011Q	1
85	HEAD(TC860CP)	MT59-00041L	1			1
86	SPRING AZIMUTH-R	6107-000345	1	OPTION 3		
87	SPRING AZIMUTH-F	6107-000201	1	ASS'Y -EJECT A C/K		1
88	SCREW(M2*3)	6002-001011	1	LEVER EJECT-A	MT75-00048E	1
89	STOPPER AZIMUTH	MT70-00438A	1			
90	SPRING EJECT	MT61-00007A	1			
91	SCREW(M1.7*2)	MT60-00025A	1			
92	EJECT STOPPER	MT70-00487U	1			

9. PARTS LIST

for AKR-1010 & AKR-0106 Series

CAUTION **R** is a recommendable part for essential stock.

9-1. MAIN SECTION

LOCATION	CODE	NAME	DESCRIPTION
R DL101	DLT4H11G41	LED	LT4H11G-41 (RED)
IC101	1SAA6579T-	IC AUDIO	SAA6579T
IC204	176S8016X1	IC CHIP CUSTOM	MPP178016AGC-563-3BP
IC301	1LC75371M-	IC CHIP EVR	LC75371M MFP36S
IC302	1TDA8571J-	IC POWER	TDA8571J-Y
IC303	1BA3121---	IC ISOLATION	BA-3121
IC304	1LA3161---	IC AUDIO TAPE EQ	LA-3161
R IC305	1K1A7808P1	IC REGULATOR	KIA7808PI
R L501	5LC301PA18	COIL CHOKE	37X1X5.2 300UH P EI-19MM
R RV101	RV1417504-	R SEMI FIXED	H500K-5X5-6N-PC-BS
R B001	97T65985MA	PCB MAIN	197X330XT1.6 / 2
R CT101	5XJZ4R332D	CRYSTAL QUARTZ	HC-49/S 4.332MHZ 25PPM F
R CT201	5XJZ4R500E	CRYSTAL QUARTZ	HC-49/S 4.5MHZ 30PPM F
DZ101	DKTZJ10B--	DIODE ZENER	MTZJ 10B 26MM
DZ103	DKTZJ9R1B-	DIODE ZENER	MTZJ 9R1B 26MM
DZ104	DKTZJ5R1A-	DIODE ZENER	MTZJ 5R1B 26MM
DZ301	DKTZJ5R6B-	DIODE ZENER	MTZJ 5R6B 26MM
DZ501	DKTZJ9R1B-	DIODE ZENER	MTZJ 9R1B 26MM
DZ503	DKTZJ5R6B-	DIODE ZENER	MTZJ 5R6B 26MM
DZ504	DKTZJ5R6B-	DIODE ZENER	MTZJ 5R6B 26MM
DZ505	DKTZJ6R8B-	DIODE ZENER	MTZJ 6R8B 26MM
D103	DKSS133---	DIODE	1SS133 AUTO 26MM
D104	DKSS133---	DIODE	1SS133 AUTO 26MM
D203	DKSS133---	DIODE	1SS133 AUTO 26MM
D204	DKSS133---	DIODE	1SS133 AUTO 26MM
D205	DKSS133---	DIODE	1SS133 AUTO 26MM
D206	DKN4148---	DIODE	KN4148 AUTO 26MM
D207	DKN4148---	DIODE	KN4148 AUTO 26MM
D208	DKN4148---	DIODE	KN4148 AUTO 26MM
D210	DKSS133---	DIODE	1SS133 AUTO 26MM
D211	DKN4148---	DIODE	KN4148 AUTO 26MM
D212	DKSS133---	DIODE	1SS133 AUTO 26MM
D213	DKN4148---	DIODE	KN4148 AUTO 26MM
D214	DKN4004A--	DIODE	KN4004A AUTO 26MM
D215	DKN4148---	DIODE	KN4148 AUTO 26MM
D250	DKSS133---	DIODE	1SS133 AUTO 26MM

PARTS LIST for AKR-1010 & AKR-0106 Series

LOCATION	CODE	NAME	DESCRIPTION
D259	DKSS133---	DIODE	1SS133 AUTO 26MM
D260	DKSS133---	DIODE	1SS133 AUTO 26MM
D304	DKSS133---	DIODE	1SS133 AUTO 26MM
D501	DKN4004A--	DIODE	KN4004A AUTO 26MM
D502	DKN4004A--	DIODE	KN4004A AUTO 26MM
D503	DKN4004A--	DIODE	KN4004A AUTO 26MM
D504	DKN4004A--	DIODE	KN4004A AUTO 26MM
D505	DKN4004A--	DIODE	KN4004A AUTO 26MM
D507	DKSS133---	DIODE	1SS133 AUTO 26MM
D508	DKSS133---	DIODE	1SS133 AUTO 26MM
D510	DKSS133---	DIODE	1SS133 AUTO 26MM
D511	DKN4004A--	DIODE	KN4004A AUTO 26MM
R L103	5LL568K02K	COIL INDUCTOR	0.56UH K 02 TA 26MM
Q301	TZDTC323TS	TR	DTC323TSA SPT
Q302	TZDTC323TS	TR	DTC323TSA SPT
Q303	TZDTC323TS	TR	DTC323TSA SPT
Q304	TZTA1273Y-	TR	KTA1273Y (966Y)
Q305	TZRC102M--	TR	KRC102M (KEC)
Q306	TZRC111M--	TR	KRC111M
Q309	TZRC111M--	TR	KRC111M
Q310	TZTA1273Y-	TR	KTA1273Y (966Y)
Q311	TZRC102M--	TR	KRC102M (KEC)
Q319	TZDTC323TS	TR	DTC323TSA SPT
Q320	TZDTC323TS	TR	DTC323TSA SPT
Q503	TZRC102M--	TR	KRC102M (KEC)
Q507	TZRC3198Y-	TR	KTC3198Y- (1815Y) (AUTO)
Q508	TZTC3198Y-	TR	KTC3198Y- (1815Y) (AUTO)
Q513	TZRC102M--	TR	KRC102M (KEC)
R TUD01	PNFCJMJV00	PCB FM 1-CHIP AS AUT	CAT-7-NC

9-2. FRONT SECTION

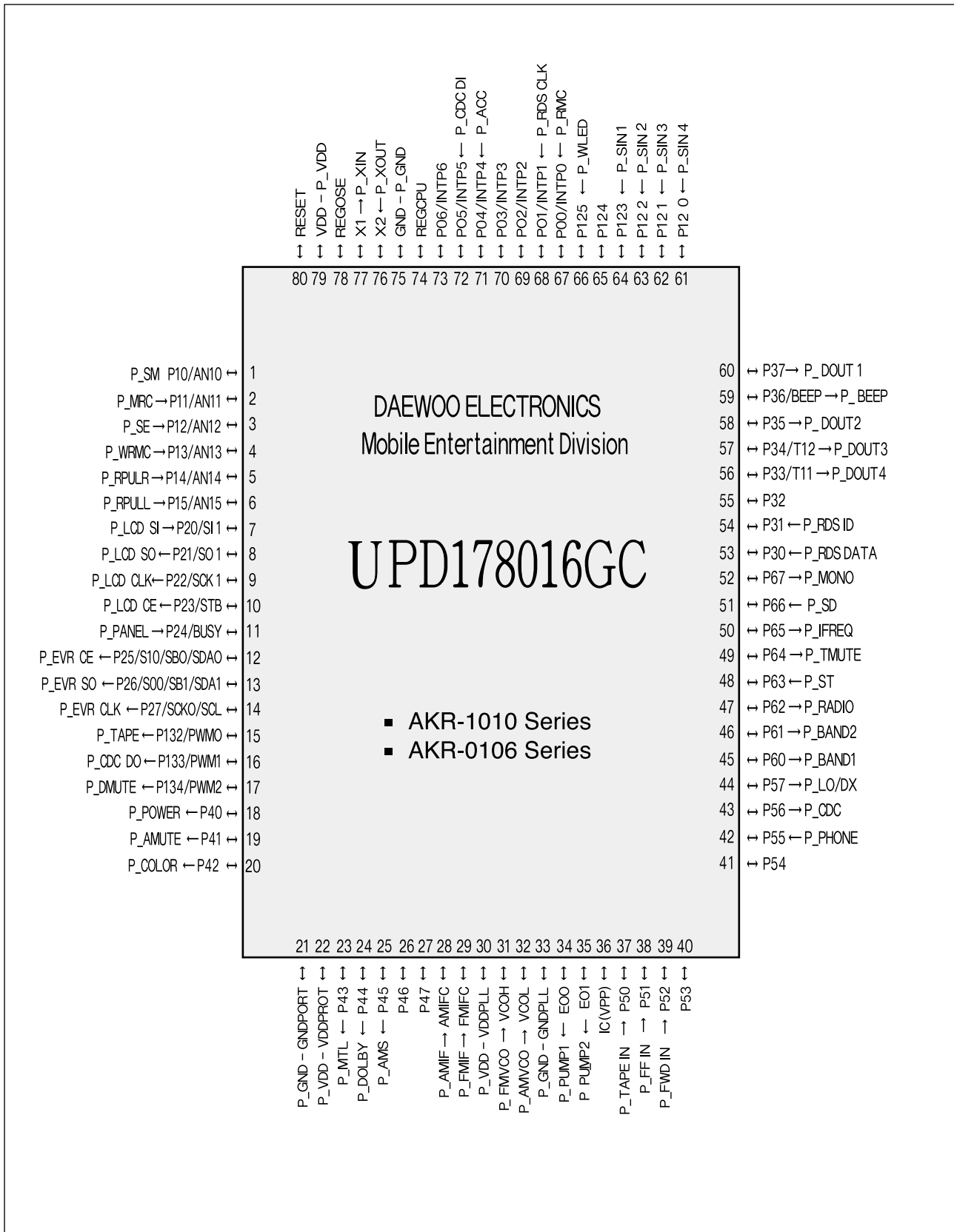
LOCATION	CODE	NAME	DESCRIPTION
IC701	1LC75854--	IC DRIVER (LCD)	LC75854 or HL14104
R LD701	DDB3803X--	LED	DB3803X (BLUE)
R LD702	DDB3803X--	LED	DB3803X (BLUE)
L701	97T0L1610P	LCD	IS-09053P
PL701	97T82L1W86	LAMP PILOT	8V 60MA D3.05 0.12
PL702	97T82L1W86	LAMP PILOT	8V 60MA D3.05 0.12
PL703	97T82L1W86	LAMP PILOT	8V 60MA D3.05 0.12
PL704	97T82L1W86	LAMP PILOT	8V 60MA D3.05 0.12
PL705	97T82L1W86	LAMP PILOT	8V 60MA D3.05 0.12
PL706	97T82L1W86	LAMP PILOT	8V 60MA D3.05 0.12
PL707	97T82L1W86	LAMP PILOT	8V 60MA D3.05 0.12
PL708	97T82L1W86	LAMP PILOT	8V 60MA D3.05 0.12
SW707	5S52643CL1	SW TACT	1C-1P SKMA 10918A 260G
SW708	5S52643CL1	SW TACT	1C-1P SKMA 10918A 260G
SW711	5S52643CL1	SW TACT	1C-1P SKMA 10918A 260G
SW712	5S52643CL1	SW TACT	1C-1P SKMA 10918A 260G
R VR701	5V3503A70A	VR ENCODER	SRGP 200 200
SW701	5S50101Z02	SW TACT	1C-1P SKQC10918B 260G
SW702	5S50101Z02	SW TACT	1C-1P SKQC10918B 260G
SW703	5S50101Z02	SW TACT	1C-1P SKQC10918B 260G
SW704	5S50101Z02	SW TACT	1C-1P SKQC10918B 260G
SW705	5S50101Z02	SW TACT	1C-1P SKQC10918B 260G
SW706	5S50101Z02	SW TACT	1C-1P SKQC10918B 260G
SW709	5S50101Z02	SW TACT	1C-1P SKQC10918B 260G
SW710	5S50101Z02	SW TACT	1C-1P SKQC10918B 260G
SW713	5S50101Z02	SW TACT	1C-1P SKQC10918B 260G
SW714	5S50101Z02	SW TACT	1C-1P SKQC10918B 260G
SW715	5S50101Z02	SW TACT	1C-1P SKQC10918B 260G
SW716	5S50101Z02	SW TACT	1C-1P SKQC10918B 260G
SW717	5S50101Z02	SW TACT	1C-1P SKQC10918B 260G

9-3. FM ONE CHIP / ISO / EVR SECTION

LOCATION	CODE	NAME	DESCRIPTION
Ⓜ L02	5LA109KA22	COIL ANT	0.5X3.4X3.5+3.0 R/NA
Ⓜ L06	5LL100K02K	COIL INDUCTOR	10UH K 02 TA 26MM
Ⓜ L08	5LL109K02K	COIL INDUCTOR	1UH K 02 TA 26MM
Ⓜ L01	5LL479K02K	COIL INDUCTOR	4.7UH K 02 TA 26MM
Ⓜ L04	5L0109KA23	COIL OSC	0.5X3.0X2.5+3.0 R/NA
Ⓜ L07	5LT109KA21	COIL TRAP	0.3X1.8X7 1/2 L/NA
D01, D20, D81, D82	DKSS133---	DIODE	1SS133 AUTO 26MM
D02, D03	DKDS266--B	DIODE CHIP	KDS266 SOT-23 C3
D12	D1SV234--A	DIODE CHIP	1SV234
DA04	DKB0714-3-	DIODE VARICAP	AM KV0714-3
D09, D10, D11	DKV1440TLB	DIODE VARICAP	FM KV1440TLB
Q01	TFC12-----	FET	AM FC-12
Q05	T3SK231U1D	FET	FET 3SK231UID
FC04	5PCFM450AL	FILTER CERA	AHCFM2 - 450AL
FC02, FC03	5PE107MJA1	FILTER CERA	SFE10.7MJA10 RED
FC01	5PE107M3A1	FILTER CERA	SFE10.7KS3A10
CR01	5PB456A12-	FILTER MECHA	CMU2-456A12
IC01	1DBL1091--	IC	DBL1091
IC03	1LA1177---	IC RF	LA1177 FM SIP TYPE
AIF	5105AYWA35	IFT AM	5DL-C5167
FDET	5107FBKA30	IFT FM DET	7BS-C4024
FIF	5105F0RA29	IFT FM IF	5DLH-C5115
FRF	5107FBKA31	IFT FM RF	7BSF-N1025
ARF11	5105AGYA36	IFT LW RF1	5DLP-N5162
ARF21	5105ABLA37	IFT LW RF2	5DLP-N5163
ARF01	5105AWHA32	IFT MW RF1	5DL-N5165
ARF02	5105AGNA33	IFT MW RF2	5DL-N5166
LOSC	5105ABRA38	IFT OSC	5DL-N5164
AOSC	5105ARDA34	IFT OSC	5DL-N5146
RV01	RV4417103-	R SEMI FIXED	H10K - 5X5 - 6N - CC - BS
Q81	TKRC110S-B	TR CHIP	KRC110S SOT - 23
Q02	TKRC110S-B	TR CHIP	KRC111S
Q03, Q11	TKRC112S--	TR CHIP	KRC - 112S
Q04, Q12, Q13, Q82, Q83, Q84	TKTC3875GB	TR CHIP	KTC3875 - GR
Q10	TKTC3879-B	TR CHIP	KTC3879

10. FUNCTION OF MICOMIC

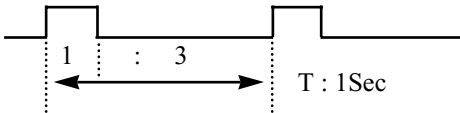
10-1. PIN CONFIGURATION (TOP VIEW)



10-2. PIN DESCRIPTION

PIN	ASSIGN	NAME	DESCRIPTION	I/O
77	P_XIN	X1	4.5 MHz CRYSTAL	I
76	P_XOUT	X2		O
22	P_VDD	VDDPORT	PERMANENT POWER INPUT PORT)MAX : 6.5V GROUND	
30	P_VDD	VDDPLL		
79	P_VDD	VDD		
22	P_GND	GNDPORT		
33	P_GND	GNDPLL		
75	P_GND	GND		
71	P_ACC	P04/INTP4	BACK UP MODE CONTROL PORT. LOW : BACK UP MODE. HIGH : OPERATING MODE.	I
18	P_POWER	P40	POWER CONTROL PORT. POWER OFF → LOW, POWER ON → HIGH	O
7	P_LCD SI	P20/SI1	KEY & LCD DRIVER IC INTERFACE PORTS.	I
8	P_LCD SO	P21/SO1		O
9	P_LCD CLK	P22/SCK1		O
10	P_LCD CE	P23/STB		O
12	P_EVR CE	P25/SI0	EVR IC INTERFACE PORTS	O
13	P_EVR SO	P26/SO0		O
14	P_EVR CLK	P27/SCK0		O
19	P_AMUTE	P41	AUDIO MUTE PORT, ACTIVE HIGH	O
59	P_BEEP	P36/BEEP	BEEP OUTPUT PORT. (2.08 KHz)	O
4	P_WRMC	P00/INTP0	WIRE REMOCON INPUT PORT.	I
67	P_RMC	P24/BUSY	WIRELESS REMOCON INPUT PORT.	I
11	P_PANEL	P42	DETACHABLE ON / OFF INPUT PORT. CONTACT → LOW SEPARATE → HIGH	I
20	P_COLOR		LCD BACK - LIGHTING COLOR CONTROL PORT RESET : COLOR → "LOW" TWO KEY IN : CHANGED	O

FUNCTION OF MICOMIC UPD178016GC
for AKR-1010 & AKR-0106 Serise

PIN	ASSIGN	NAME	DESCRIPTION	I/O															
66	P_WLED	P125	WARNING LED OUTPUT PORT. * OUT PUT CONDITION : PANEL OFF 	O															
42	P_PHONE	P55	TELEPHONE MUTE (ACTIVE LOW)	I															
3	P-SE	P12/AN12	SE KEY INPUT PORT (ACTIVE LOW)	I															
64	P-SIN1	P123	OPTION DIODE MATRIX INPUT PORT.	I															
63	P-SIN2	P122		I															
62	P-SIN3	P121		I															
61	P-SIN4	P120		I															
60	P_DOUT1	P37	OPTION DIODE MATRIX OUTPUT PORT.	O															
58	P_DOUT2	P35		O															
57	P_DOUT3	P34/T12		O															
56	P_DOUT4	P33/T11		O															
47	P_RADIO	P62	RADIO MODE CONTROL PORT	O															
45	P_BAND1	P60	BAND SELECT PORT (TUNER MODE)	O															
46	P_BAND2	P61		<table style="margin-left: auto; margin-right: auto;"> <tr> <td></td> <td>RESET</td> <td>FM</td> <td>MW</td> <td>LW</td> </tr> <tr> <td>BAND1 :</td> <td>0</td> <td>1</td> <td>0</td> <td>0</td> </tr> <tr> <td>BAND2 :</td> <td>0</td> <td>0</td> <td>1</td> <td>0</td> </tr> </table>		RESET	FM	MW	LW	BAND1 :	0	1	0	0	BAND2 :	0	0	1	0
	RESET	FM	MW	LW															
BAND1 :	0	1	0	0															
BAND2 :	0	0	1	0															
49	P_TMUTE	P64	MUTE OUTPUT AT AF CHECKING (ACTIVE HIGH)	O															
48	P_ST	P63	STEREO INPUT PORT. (ACTIVE LOW)	I															
51	P_SD	P66	SIGNAL DETECTION PORT. (ACTIVE HIGH)	I															
1	P_SM	P10/AN10	SIGNAL METER INPUT PORT. * RANGE : SEEK : LOCAL : SD ACTIVE CHECK DX : SD ACTIVE CHECK AF --> AF CHECK STOP VOLTAGE 2.2 V	I															

10-3. PIN DESCRIPTION

PIN	ASSIGN	NAME	DESCRIPTION	I/O
31	P_FMVCO	VCOH	FM VCO INPUT PORT. INPUT RANGE : 0.07 ~ 1.5 Vrms	I
32	P_AMVCO	VCOL	AM VCO INPUT PORT. INPUT RANGE : 0.07 ~ 1.5 Vrms	I
29	P_FMIF	FMIFC	FM IF COUNT INPUT PORT. RANGE:10.7 MHz \pm 30KHz , Vpp = 0.07~1.5 Vrms	I
28	P_AMIF	AMIFC	AM IF COUNT INPUT PORT. INPUT RANGE : 450 KHz \pm 1KHz (AM) 450 KHz \pm 0.37 KHz (LM) Vpp = 0.07 ~ 1.5 Vrms	I
50	P_IFREQ	P65	IF REQUEST PORT. * TUNING : HIGH OUTPUT	O
44	P_LO/DX	P57	LOCAL MODE \rightarrow HIGH <input type="checkbox"/> DX MODE \rightarrow LOW	O
52	P_MONO	P67	(RADIO MODE) MONO MODE \rightarrow HIGH STREO MODE \rightarrow LOW	O
34	P_PUMP1	EO0	PLL ERROR OUT1 PORT.	O
35	P_PUMP2	EO1	PLL ERROR OUT2 PORT.	O
53	P_RDS DATA	P30	RDS DATA INPUT PORT.	I
54	P_RDS ID	P31		I
68	P_RDS CLK	P01/INTP1		I
2	P_MRC	P11/ANI1	MULTI-PATH INPUT PORT. * MULTI-PATH : 0.6 ~ 0.9 V	I
43	P_CDC	P56	CDC MODE ON OUTPUT PORT. ACTIVE HIGH	O
72	P_CDC DI	P05/INTP5	CDC DATA COMMUNICATION PORT.	I
16	P_CDC DO	P133/PWM1		O

FUNCTION OF MICOMIC UPD178016GC
for AKR-1010 & AKR-0106 Serie

PIN	ASSIGN	NAME	DESCRIPTION	I/O
15	P_TAPE	P132/PWM0	TAPE MODE OUTPUT PORT.	O
37	P_TAPE IN	P50	TAPE CASSETTE CONDITION CHECK PORT * LOW : EJECT CONDITION * HIGH : LOADING CONDITION	I
39	P_FWD IN	P52	TAPE FWD/RVS PLAY CONDITION INPUT PORT * RVS : HIGH FWD : LOW	I
38	P_FF IN	P51	TAPE PLAY/FF CONDITION INPUT PORT * PLAY : LOW FF : HIGH	I
25		P45		O
24	P_DOLBY	P44	DOLBY MODE (ACTIVE HIGH)	O
23	P_MTL	P43	METAL ON : HIGH, METAL OFF : LOW OUTPUT.	O
17	P_DMUTE	P134/PWM2	DECK MUTE PORT.	O

MATRIX TABLE OF KEY & OPT. DIODE
for AKR-1010 & AKR-0106 Serie

● **KEY MATRIX TABLE :**

(B : Non RDS Function=Basic)

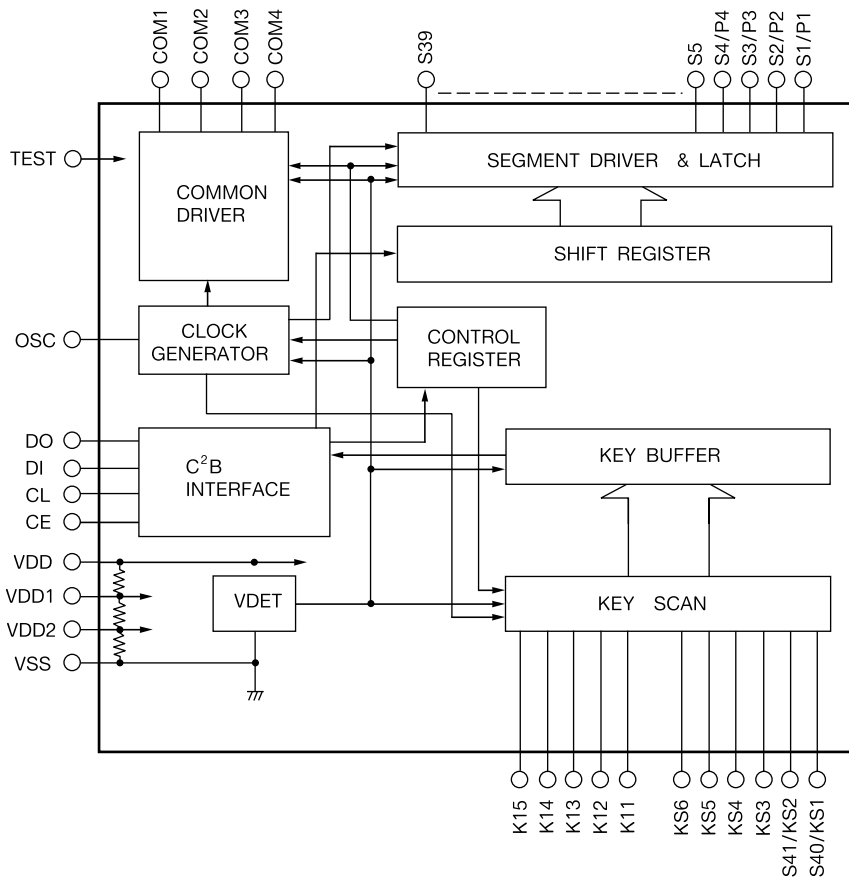
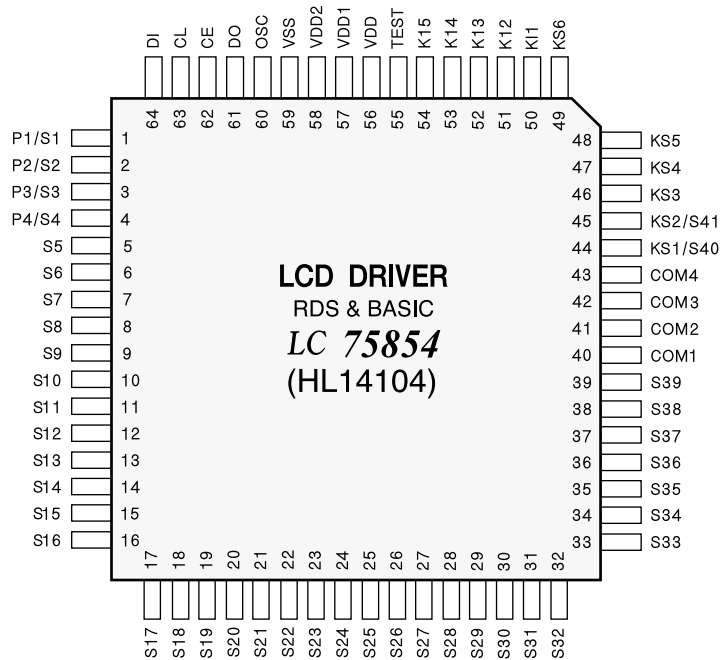
Return Source	KI 1 (50)	KI 2 (51)	KI 3 (52)	KI 4 (53)	KI 5 (54)
KS 6 (49)	T.UP	T.DOWN	-	LOC/LOUD (B:LOC)	-
KS 5 (48)	M1 (TOP)	M2 (DOLBY)	M3 (METAL) (REPEAT)	TA/TA_STBY (B:SCAN UP)	AF/REG (B:LOUD)
KS 4 (47)	M4 (SHUFFLE)	M5 (DISC DOWN)	M6 (DISC UP)	DISP/PTY (B:DISP)	ATP (INTRO)
KS 3 (46)	Audio UP	Audio DOWN	Audio MODE	POWER	-
KS 2 (45)	-	-	CDC PLAY/PAUSE	BAND/ LANG	MUTE
KS 1 (44)	-	-	-	-	-

● **OPTION DIODE TABLE**

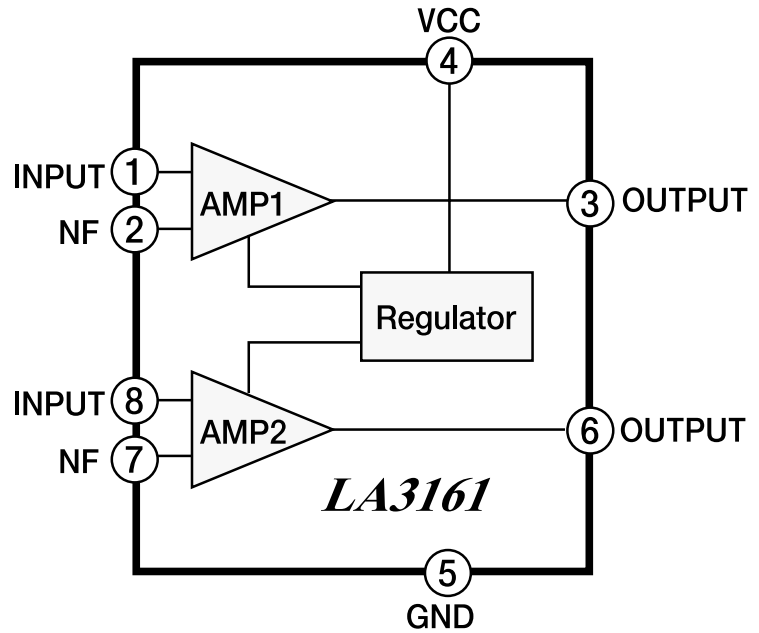
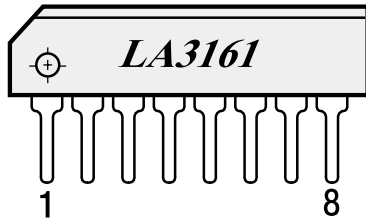
SOURCE RETURN	P_DOUT 1 (P37, 60PIN)	P_DOUT 2 (P35, 60PIN)	P_DOUT 3 (P34, 57PIN)	P_DOUT 4 (P33, 56PIN)
P_SIN 1 (P123, 64PIN)	-	-	-	-
P_SIN 2 (P122, 63PIN)	FM_ONLY (D261)	EN_RDS (D260)	LW ENABLE (D259)	EN_DOLBY (D258)
P_SIN 3 (P121, 62PIN)	DIS_CLOCK (D257)	TUNER 1, 2 (D256)	DIS_FAD (D255)	MODEL1 (D254)
P_SIN 4 (P120, 61PIN)	AREA 1 (D253)	AREA 2 (D252)	AREA 3 (D251)	MODEL2 (D250)

11. IC BLOCK DIAGRAM

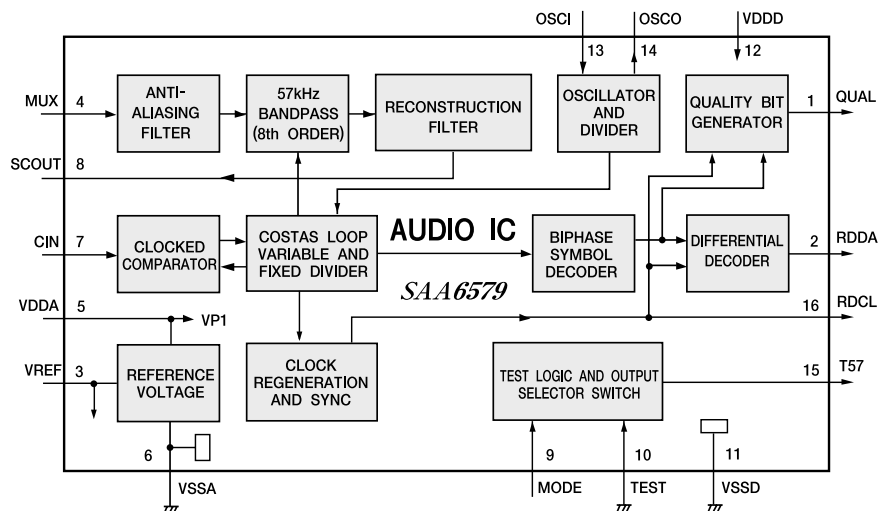
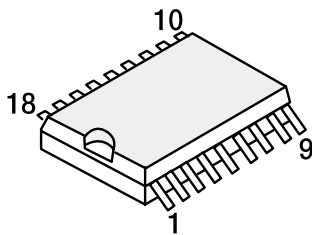
11-1. LC75854 (IC LCD DRIVER)



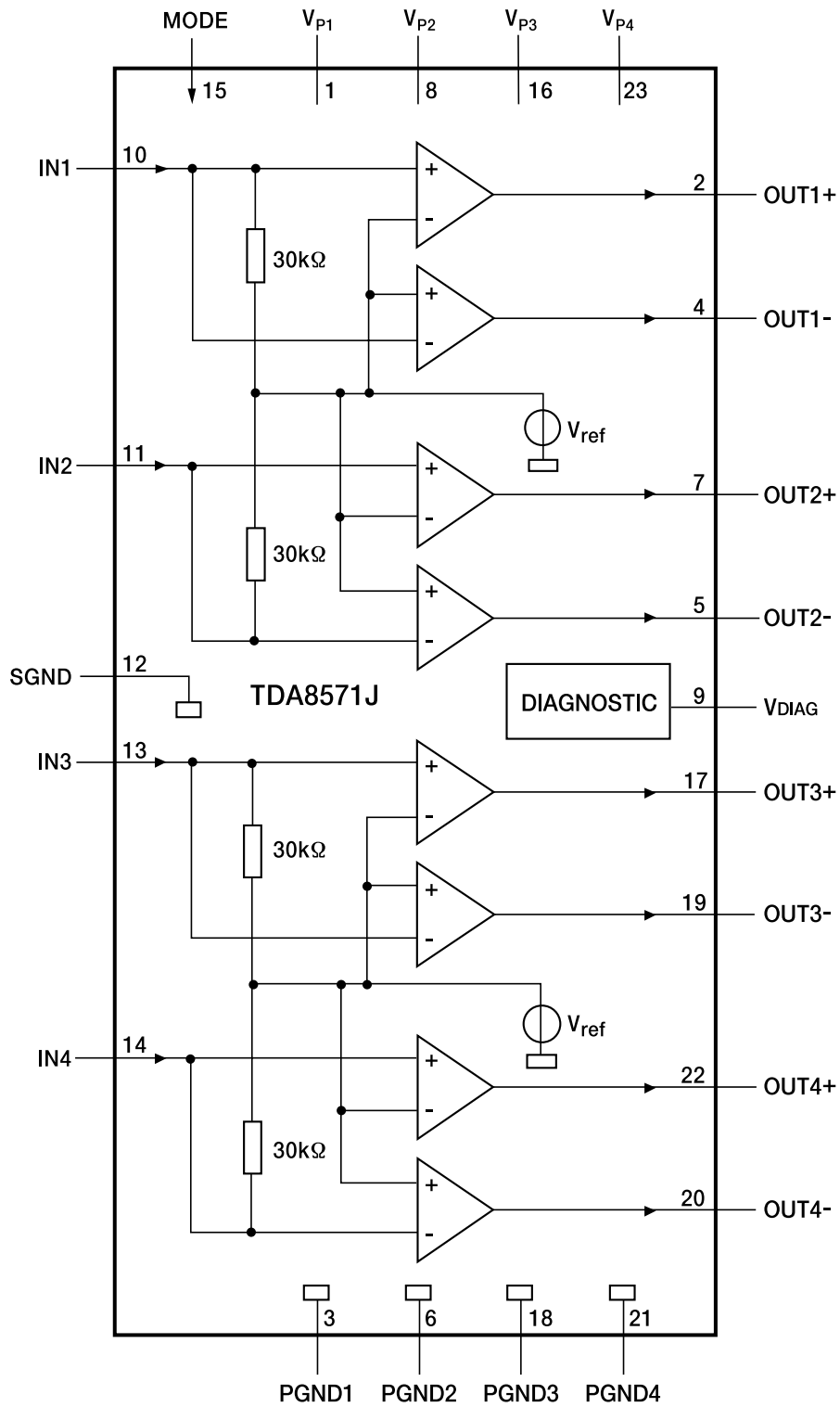
11-2. LA3161 (TAPE PRE-AMP):IC304



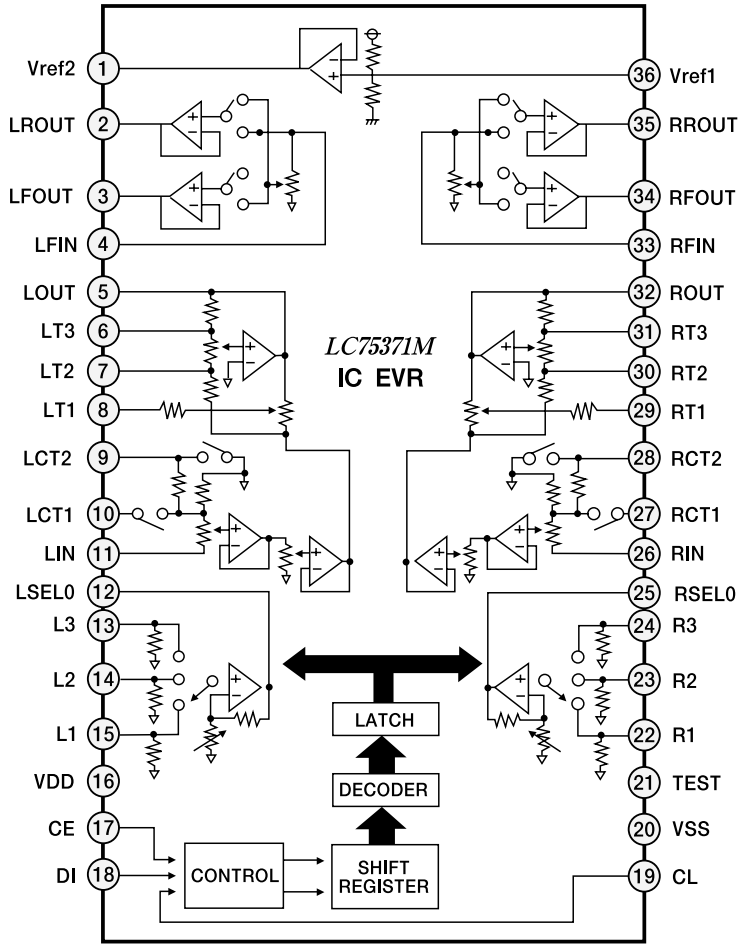
11-3. SAA6579T (IC Audio):IC101



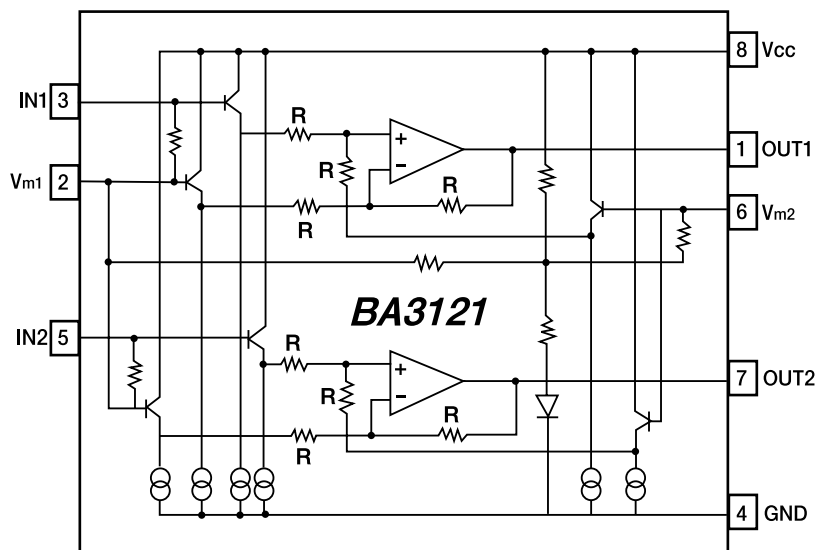
11-4. TDA8571J (IC Audio Power):IC302



11-5. LC75371M (IC EVR) : IC301



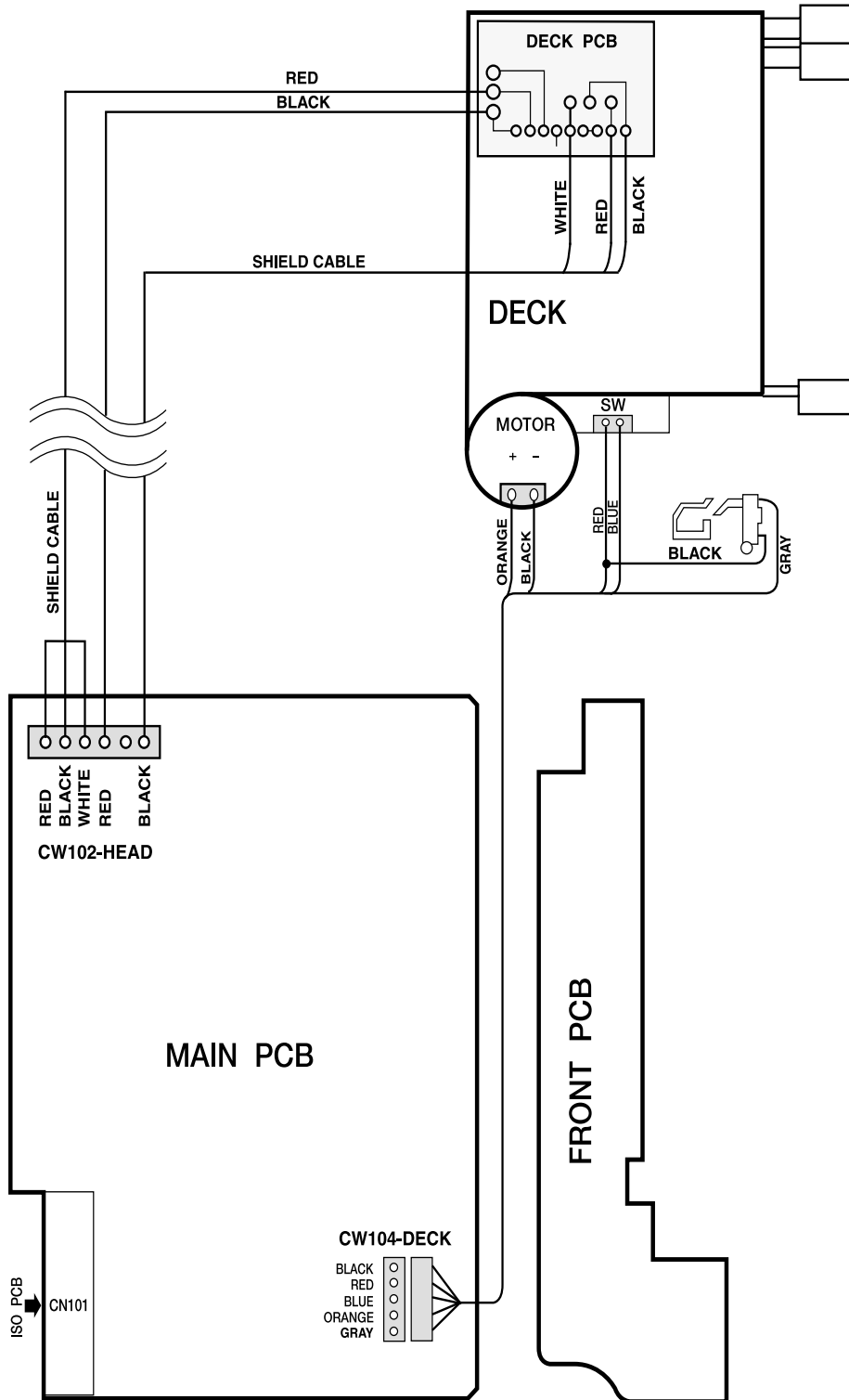
11-6. BA3121 (IC ISOLATOR) : IC303



12. WIRING DIAGRAM

for AKR-1010 & AKR-0106Series

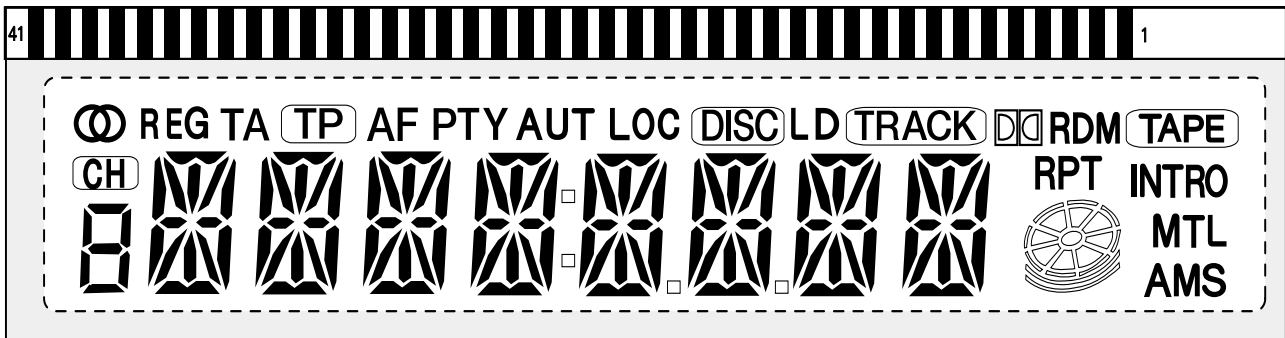
12-1. WITH ADC-2385 DECK MECHANISM



13. LIQUID CRYSTAL DISPLAY

for AKR-1010RC
& AKR-0106Series

13-1. FUTURE OF LCD



13-2. PIN DESCRIPTION

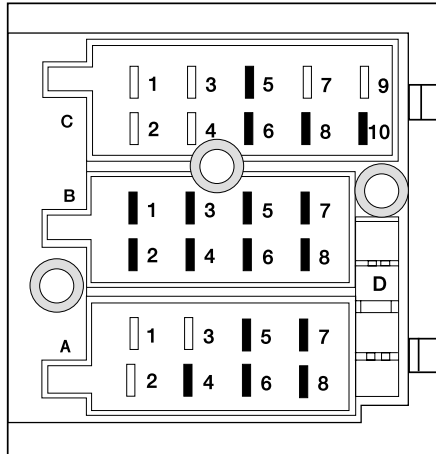
IC NO	39	38	37	36	35	34	33	31	32	6	7	8	9	10	11
LCD NO.	1	2	3	4	5	6	7	8	9	10	11	12	13	14	15
COM1	S4	S5	S1	S6	9H	9A	S3	TRACK	8H	8A	LD	COL1	7H	7A	DISC
COM2	INTRP	RPT	---	9B	9G	90	9F	8B	8G	80	8F	7B	7G	70	7F
COM3	MTL	RDM	COL2	9I	9K	9L	8N	8I	8K	8L	8N	7I	7K	7L	7N
COM4	AMS	TAPE	---	9C	9D	9M	9E	8C	8D	8M	8E	7C	7D	7M	7E

IC NO	12	13	14	15	30	29	28	27	26	25	24	23	22	21	20
LCD NO.	16	17	18	19	20	21	22	23	24	25	26	27	28	29	30
COM1	LOC	6H	6A	COL	AUT	5H	5A	S2	PTY	4H	4A	AF	TP	3H	3A
COM2	6B	6G	60	6F	5B	5G	50	5F	4B	4G	40	4F	3B	3G	30
COM3	6I	6K	6L	6N	5I	5K	5L	5N	4I	4K	4L	4N	3I	3K	3L
COM4	6C	6D	6M	6E	5C	5D	5M	5E	4C	4D	4M	4E	3C	3D	3M

IC NO	19	18	17	16	5	4	3	40	41	42	43
LCD NO.	31	32	33	34	35	36	37	38	39	40	40
COM1	TA	REG	2H	2A	S7	1A	CH	COM1	---	---	---
COM2	3F	2B	2G	20	2F	1B	1F	---	COM2	---	---
COM3	3N	2I	2K	2L	2N	1C	1G	---	---	COM3	---
COM4	3E	2C	2D	2M	2E	1D	1E	---	---	---	COM4

14. OUTPUT CONNECTOR DESCRIPTIONS

14-1. 26 Pin CONNECTOR



The pins in the ISO connector have the following functions (connector seen from the rear)

A. ELECTRIC CONNECTIONS

4. Back-up+12V : YELLOW
5. +12V (electric antenna) : BLUE
6. Dimmer : PINK
7. +12V supply(from ignition lock) : RED
8. Earth : BLACK

B. LOUD SPEAKER

1. +Right Rear : VIOLET
2. - Right Rear : VIOLET/BLACK
3. +Right Front : GRAY
4. - Right Front : GRAY/BLACK
5. +Left Front : WHITE
6. - Left Front : WHITE/BLACK
7. +Left Rear : GREEN
8. - Left Rear : GREEN/BLACK

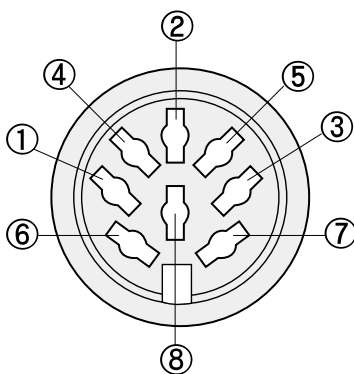
C. OTHER (OPTION)

5. EARTH
6. TRIP LINE AMPLIFIER(ACC 12V)
8. LINE-OUT(RIGHT)
10. LINE-OUT(LEFT)

D. FUSE

10A

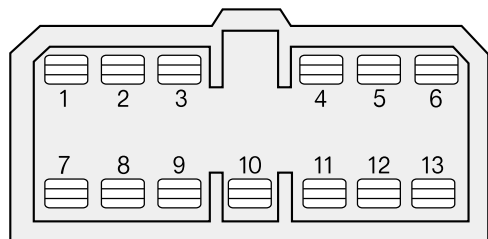
14-2. 8 Pin CONNECTOR



1	CDC-ON
2	BACK-UP B+
3	NO CONNECTION
4	DATA
5	GROUND
6	R-CH
7	L-CH
8	SIGNAL GROUND

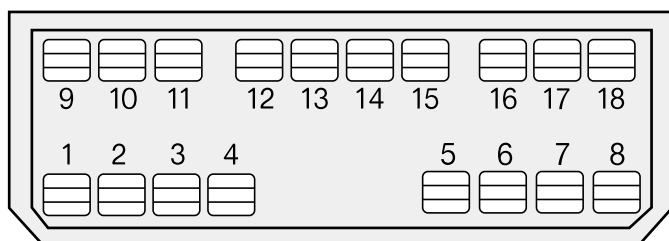
OUTPUT CONNECTOR DESCRIPTIONS

14-3. 13PIN CONNECTOR



1	REAR LEFT SP(-)	8	REAR RIGHT SP(+)
2	REAR RIGHT SP(-)	9	NEGATIVE GROUND
3	AUTO ANT	10	RIGHT (ILLUMINATION)
4	ACC B(+) POWER	11	BATTERY B+(BACK-UP)
5	FRONT RIGHT SP(+)	12	FRONT RIGHT SP(-)
6	FRONT LEFT SP(+)	13	FRONT LEFT SP(-)
7	REAR LEFT SP(+)		

14-4. 18PIN CONNECTOR



1	FRONT R-CH SP(+)	7	REAR L-CH SP(+)	13	NO CONNECTION
2	REAR R-CH SP(+)	8	FRONT L-CH SP(+)	14	GROUND
3	ILLUMINATION(+)	9	FRONT R -CH SP (-)	15	NO CONNECTION
4	ACC. B(+)	10	REAR R-CH SP(-)	16	NO CONNECTION
5	BACK UP B+	11	ILLUMINATION(-)	17	REAR L-CH SP (-)
6	NO CONNECTION	12	AUTO ANT. B+	18	FRONT L-CH SP(-)

NOTE! The red cable must be connected via the car's ignition lock to prevent unwanted discharge of the battery if it is not used for longer periods of time.

DAEWOO

DAEWOO ELECTRONICS CO., LTD

686, AHYEON-DONG MAPO-GU
SEOUL, KOREA

C.P.O. BOX 8003 SEOUL, KOREA

TELEX : DWELEC K28177-8

CABLE : "DAEWOOELEC"

E-mail : G7F00E@web.dwe.co.kr

TEL : 82-2-360-7799

FAX : 82-2-360-7877

AKR0108EFO
010301
edited by Mc. Cem