

typ modelu:

IS70C

Kod handlowy:

30617

Informacje Główne

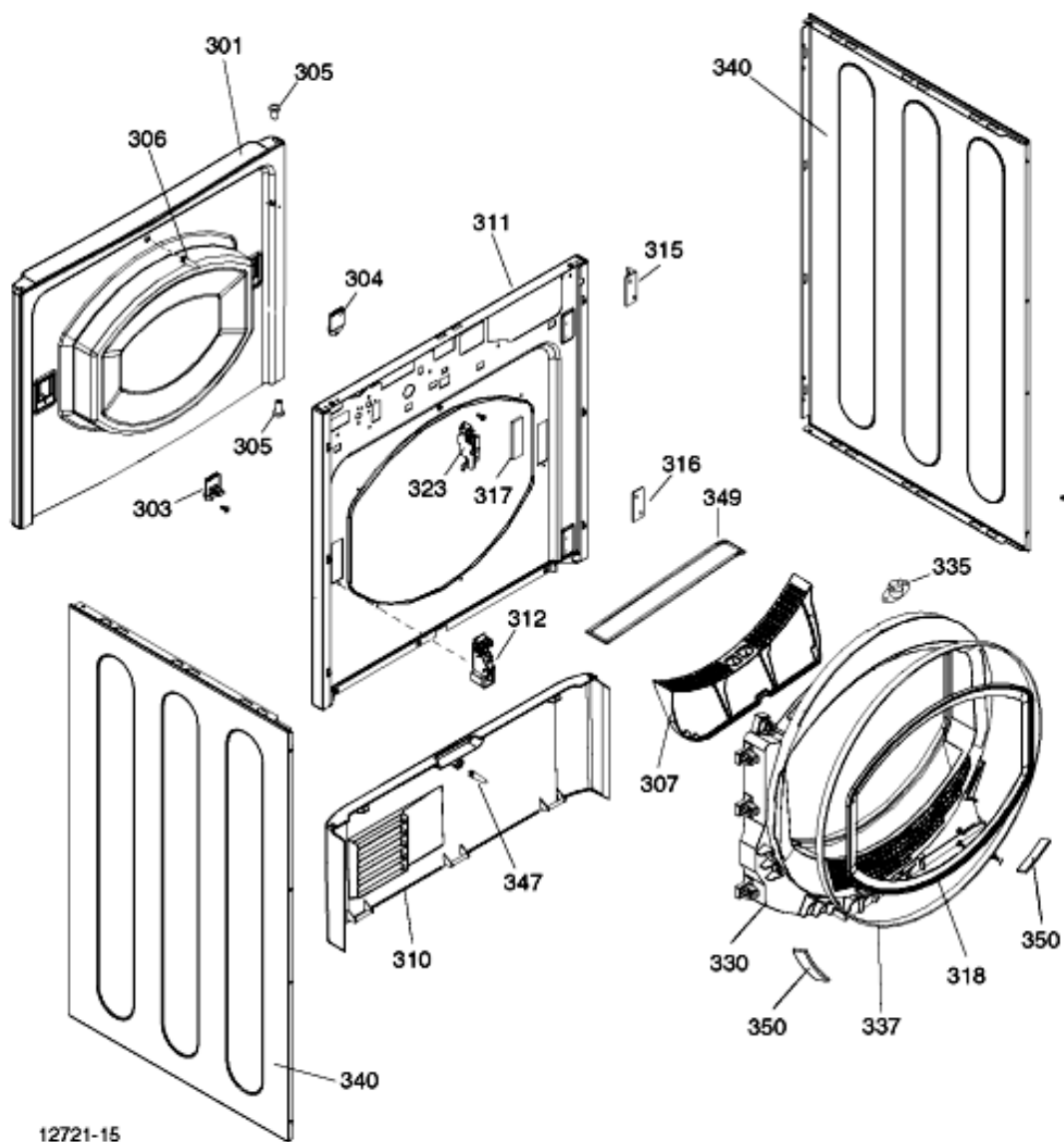
Przewodnik Dokumentacji Technicznej

Możesz tutaj odnaleźć podstawowe informacje ułatwiające korzystanie z dokumentacji technicznej

1. Modele tej samej gamy posiadają wspólne rysunki, które przedstawiają najbogatszy zestaw części; generalnie wybrany model niekoniecznie posiadać będzie w spisie części wszystkie pozycje przedstawione na rysunku
 2. Niektóre części nie mogą być przedstawione bezpośrednio na rysunku (instrukcje użytkownika, zestawy montażowe itd.). Można je odnaleźć w liście części pod pozycją gdzie są zainstalowane lub pod pozycją 09
 3. W prawym górnym rogu każdego rysunku widnieje numer seryjny wskazujący początek produkcji danej gamy urządzeń. Niektóre modele mogą posiadać więcej niż jeden rysunek dla podanej kategorii, każdy inny dla różnych numerów seryjnych.
 4. Rysunki złożeniowe mogą wymagać dalszych uaktualnień po ich publikacji. Nowe części zostaną dodane do odpowiednich oznaczeń numerycznych rysunku. Oznaczenie kodowe modyfikacji rysunku zawarte jest w ostatnich 4 cyfrach numeru seryjnego przedstawionego w prawym górnym rogu rysunku.
 5. Lista części odnosząca się do danego rysunku zawiera spis części tylko dla wybranego modelu; dostępne są dodatkowe informacje dla każdej części.
- REF. Numer referencyjny do tabeli; SUBSTITUT: lista części które zastępują dany kod zachowując takie same charakterystyki funkcjonalne
- KOD HANDLOWY: lista wariantów modelu (pokazana w nazwie modelu) gdzie dana część jest zastosowana; UWAGA: kod informacji potrzebny do interwencji, prześledź zmiany aby poprawnie ustalić kod części
6. Niektóre notatki techniczne są ogólne dla danej sekcji, zatem nie mogą być związane tylko konkretną częścią. Aby poruszać się w dokumentacjach modelu sprawnie, pomocne jest czytanie notatek i monitorowanie uaktualnień dokumentacji.
 7. Okładka dokumentacji technicznej przedstawia model sprzętu oraz jego kod handlowy.

12721-15

rysunki



12721-15

12721-15

Lista części

Ref.	kod	Od S/N	Do S/N	Zamiennik	opis	Notatka	kod
301	C00114678				door & liner assy indesit bianco		
301	C00207943				indesit door kit		
302	C00114678				door & liner assy indesit bianco		
303	C00095514			1 x C00119841 1 x C00119844	hak drzwi emz	n4408e00	
303	C00119841				hak drzwi mflex	n4408e00	
304	C00095515				dr latch blank		
305	C00095516				bush		
306	C00113847				door plastic probe	SN1175	
307	C00113848				filter blue condenser		
310	C00114679			1 x C00141599	cokół		
311	C00095621			1 x C00250894	śruba 8x1/2.		
311	C00194495				front panel kit white		
311	C00250713			1 x C00194446	screw 8x.5 p/pan		
312	C00250713			1 x C00194446	screw 8x.5 p/pan		
312	C00257618				door catch assy emz	n4408e00	
315	C00114680				door hinge upper		
315	C00250851				m3.5 x 12 pozi pan		
316	C00114681				door lower hinge		
316	C00250851				m3.5 x 12 pozi pan		
317	C00095528				dr catch blank		
318	C00255987				uszczelnienie drzwiczek grey		
323	C00113854		60327...		microswitch & lever	SN1173	
323	C00195695	60327...			microwyłącznik	SN1173	
330	C00113855				front air duct grey c condenser		
330	C00118931				kit bearing pad+bearing+belt		
330	C00141612				sensor strip		
330	C00250713			1 x C00194446	screw 8x.5 p/pan		
332	C00122256				śruba 6x3/8		
335	C00095536				termostat przedni		
335	C00095629				plytka		
335	C00097675				thermostat earth bracket		
337	C00141600			1 x C00142613	seal drum front		
340	C00113856				side panel fmd white		
340	C00122256				śruba 6x3/8		

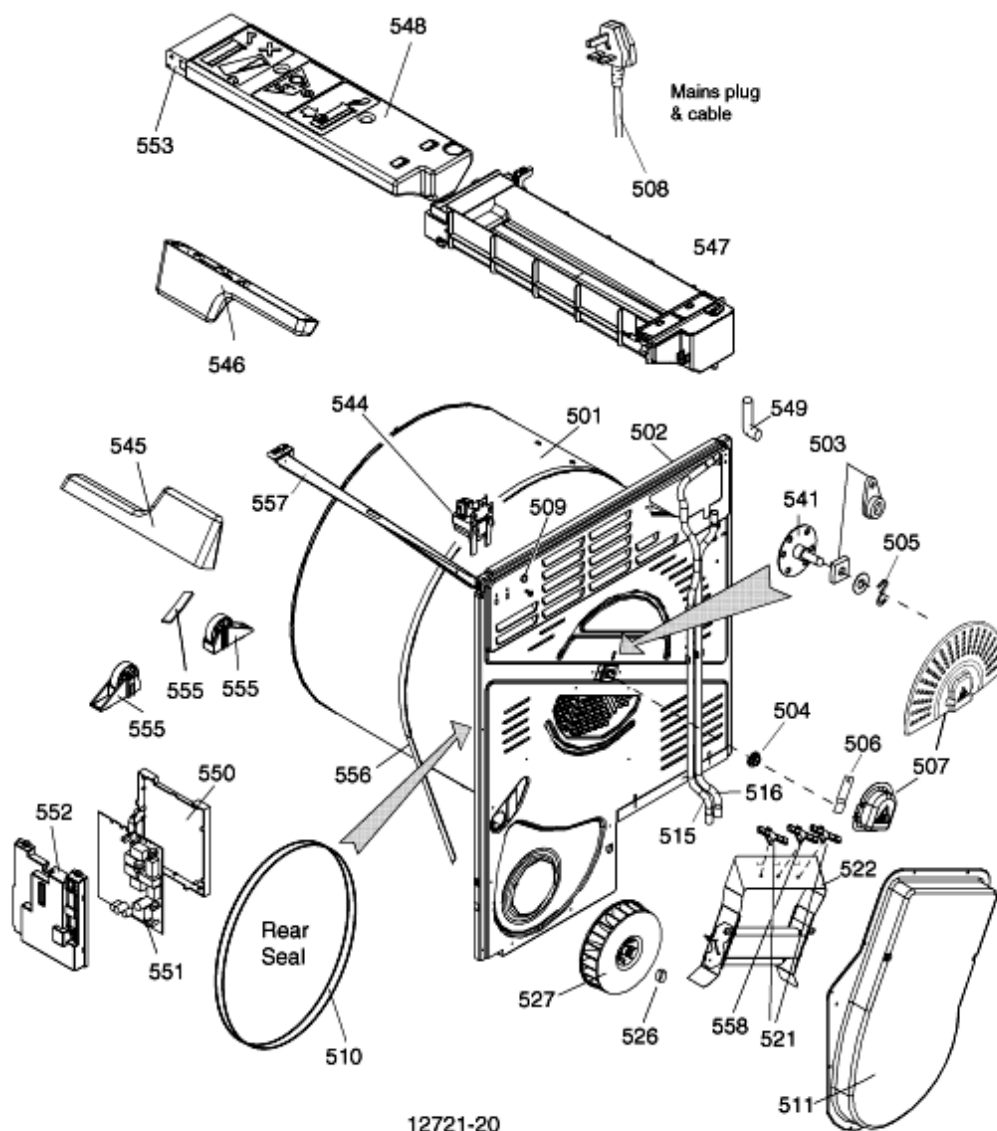
12721-15

Lista części

Ref.	kod	Od S/N	Do S/N	Zamiennik	opis	Notatka	kod
347	C00113858				latch plinth cover		
347	C00115798				plinth cover catch		
349	C00113859				air duct seal		
350	C00255284				bearing pad grooved		

12721-20

rysunki



12721-20

Lista części

Ref.	kod	Od S/N	Do S/N	Zamiennik	opis	Notatka	kod
501	C00145651				drum condenser dryers	SN1138	
502	C00113860				seal base rear panel		
502	C00114677				foam pad rear panel		
502	C00143443				plyta tylna condenser+łożysko	SN1162	
503	C00113862				łożysko	SN1162	
503	C00142628				łożysko	SN1162	
503	C00250889				screw		
504	C00095549			1 x C00142631	collar drum shaft		
505	C00095551				drive pin		
506	C00095552			1 x C00199479	drum earth strip	SN1162	
506	C00095572				screw m3 x 6		
507	C00095553				pokrycie łożysko tylne.		
507	C00122256				śruba 6x3/8		
508	C00095554				mains cable and plug		
509	C00095556				cable clamp/grommet		
509	C00250833				no7 hilo pozi screw		
510	C00113823				rear seal 26mm	SN1176	
510	C00145648				rear seal 17mm	SN1176	
511	C00264260				cover heater abs pad (td)		
515	C00113865				pipe pump to water container		
515	C00114676				pipe support		
516	C00113866				rura spustowa		
521	C00116598				termostat kit (one shot+cycling)		
522	C00116599			1 x C00145749	opornik 2.30 kw		
522	C00257654		01111...	1 x C00260053	opornik 2.30 kw	n4410k01	
522	C00282396	01112...			opornik 2.30kw elect mech	n4410k01	
526	C00208347				clamp d.19		
527	C00226347				recirculating fan kit		
541	C00115748				drum shaft		
542	C00250836				screw m5 x 8 t25		
544	C00095585			1 x C00268451	filtr tłumiący zakł. radiowe		
544	C00095586			1 x C00250888	screw		
545	C00112186				drum lifter long	SN1156	
545	C00141607				drum lifter	SN1155	
545	C00250835				screw 5 x 23		

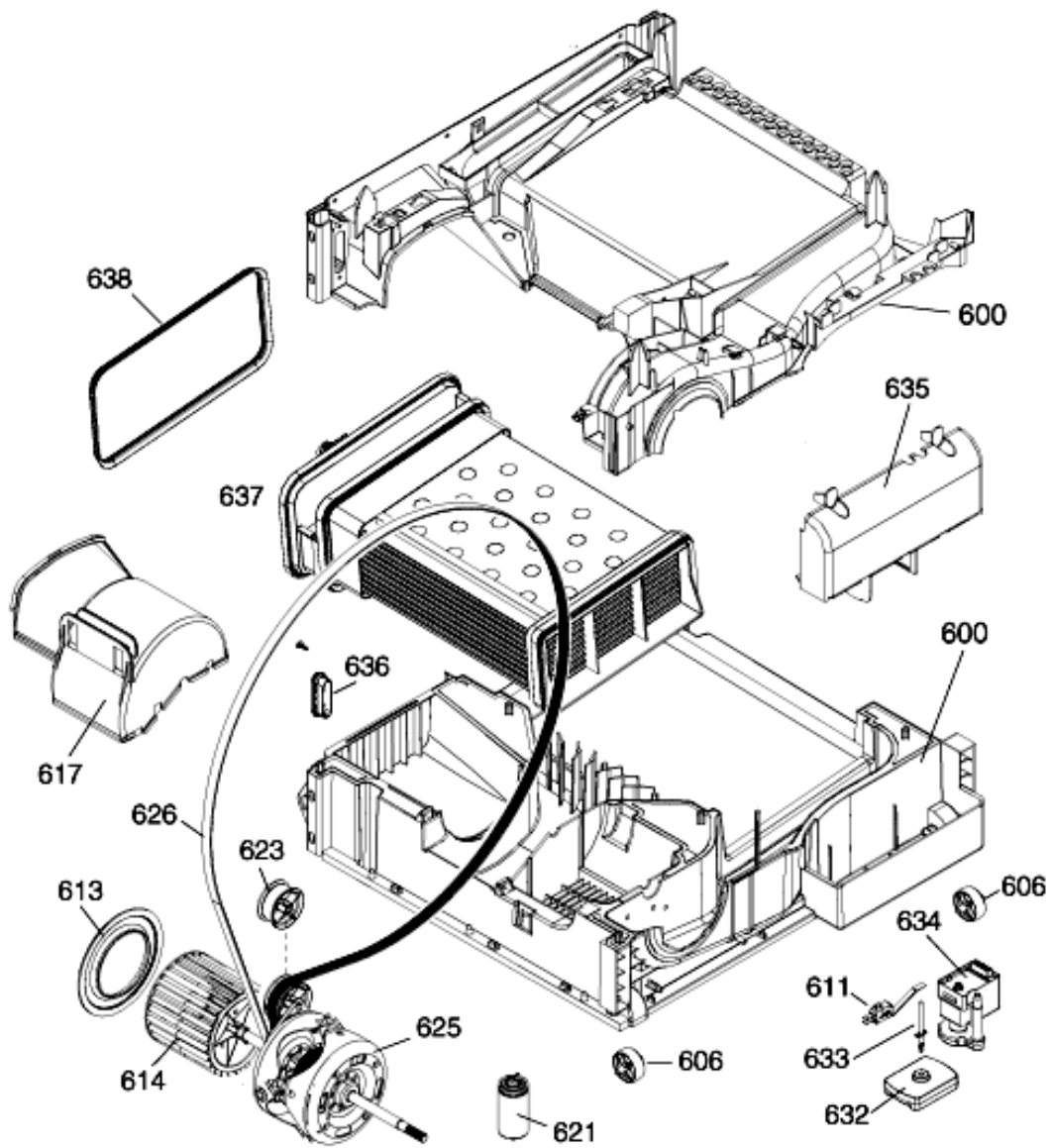
12721-20

Lista części

Ref.	kod	Od S/N	Do S/N	Zamiennik	opis	Notatka	kod
546	C00112186				drum lifter long	SN1156	
546	C00141607				drum lifter	SN1155	
546	C00250835				screw 5 x 23		
547	C00095621			1 x C00250894	śruba 8x1/2.		
547	C00113870			1 x C00254986	water bottle support		
547	C00250852				no8 x 1pan head		
548	C00113871			1 x C00193521	water container		
549	C00113897				water cont inlet		
553	C00113898				container adaptor		
554	C00122256				śruba 6x3/8		
555	C00112144				bearing pad		
555	C00113901			1 x C00118058	drum support wheel - see	n4408102	
556	C00116358				pas (1991mm fitted)		
557	C00113902				side strut angled right		

12721-25

rysunki



12721-25
12720-25

12721-25

Lista części

Ref.	kod	Od S/N	Do S/N	Zamiennik	opis	Notatka	kod
600	C00113873			1 x C00255727	base unit 'ale70cfr'		
600	C00271612				screw 14mm cond base		
606	C00113874				wheel and axle	n4408f00	
611	C00205873				microswitch		
613	C00113876				inlet ring	n4407f00	
614	C00207723		60907...	1 x C00095599	wentylator	SN1182	
614	C00208347				clamp d.19		
614	C00272335	60907...			wentylator 72mm	SN1182	
617	C00113878				pokrycie		
621	C00194453				capacitor 8 uf (iskra)	SN1181	
621	C00199432			1 x C00279233	capacitor 7uf rohs	SN1181	
623	C00113879				jockey wheel and bracket		
625	C00113880		60907...	1 x C00194686 1 x C00272335	silnik type 351		
625	C00194688	60907...			silnik type 351 kit	n4407c00	
626	C00116358				pas (1991mm fitted)		
632	C00113883		60703...		float	SN1177	
632	C00195866	71025...			float	SN1177	
632	C00195868	60710...	71024...		float/pin kit	SN1177	
633	C00113884		60703...		float pin 78mm	SN1177	
633	C00195868	60710...	71024...		float/pin kit	SN1177	
634	C00193127	60703...			pump	SN1177	
634	C00260640		60703...		pump & float cover kit	SN1177	
635	C00113887		60703...	1 x C00260640	pump and float cover	SN1177	
635	C00113888				pump and float cover		
635	C00113892		60703...		water deflect hor	SN1177	
635	C00113893		60703...		water deflect ver	SN1177	
635	C00193187	60703...			pump and float cover	SN1177	
637	C00113890				kondensator 'ale70cfr'		
638	C00113903				condensor front cover seal		
999	C00114866			1 x C00280681	stacking kit lvb-dryers condenser	SN1122 n1040357	
999	C00146932				energy label is70c		
999	C00149478				stacking kit shelf	n1040357	
999	C00161363				instruction booklet		

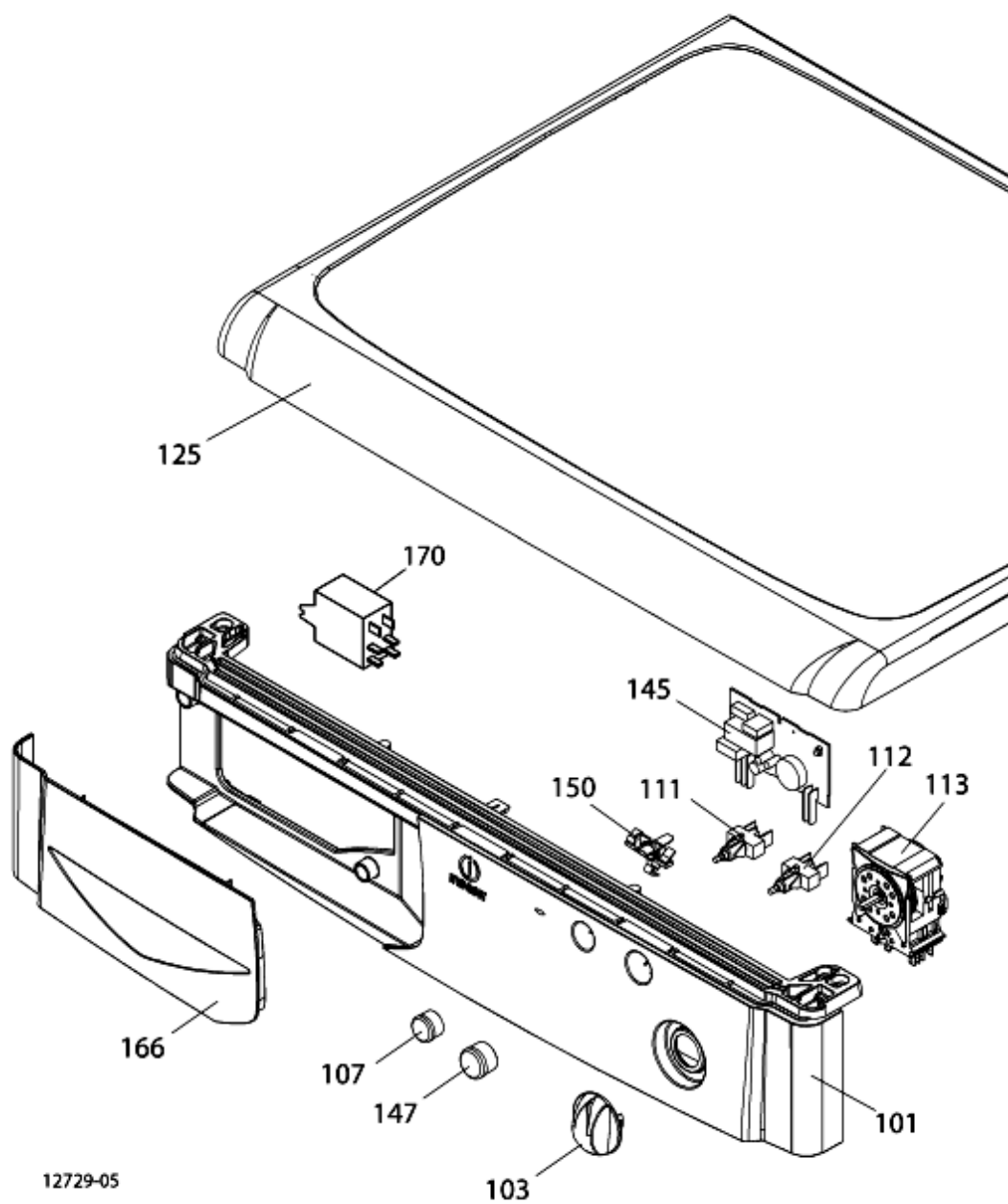
12721-25

Lista części

Ref.	kod	Od S/N	Do S/N	Zamiennik	opis	Notatka	kod
999	C00194039				condenser quick guide		
999	C00221757				service manual		

12729-05

rysunki



12729-05

Lista części

Ref.	kod	Od S/N	Do S/N	Zamiennik	opis	Notatka	kod
101	C00207826				panel ster.		
101	C00250852				no8 x 1pan head		
103	C00095495				knob spring		
103	C00114672				timer knob		
103	C00114696				torsion adaptor 'is70cex'		
107	C00114682				switch cap		
111	C00095500				switch		
112	C00112121				wyłącznik start		
113	C00113950				flame shield		
113	C00114692		61004...		timer adaptor	SN1180	
113	C00193810	61004...			timer mounting adaptor	SN1180	
113	C00195002				timer kit		
125	C00095621			1 x C00250894	śruba 8x1/2.		
125	C00114683				góra biał.		
145	C00113939			1 x C00199420	relay/led		
147	C00114684				start button		
150	C00114686		60327...		light guide	SN1173	
150	C00199430	60327...			neon lamp	SN1173	
166	C00207829				uchwyt zbiornika		

Notatki

SN1122: Notice SN1122

This Stacking kit will fit Vogue 2, 3 & 4 washings machines only.
It is only supplied in polar white.

It is not suitable for any other model of washing machine.

Click view list at the bottom of this notice to order the stacking kit

SN1138: Notice SN1138

During date code 50727, (July 2005) the design of the sensing drum was
changed from a sensing band and copper brush pick up to a plain drum with
and sensor situated in the air duct assembly.

To fit this part to an appliance prior to date code 50727, (July 2005) it will be
necessary to remove the sensing band, insulation strip and the lifters from the
old drum and fit them to the new one.

SN1155: Notice SN1155

**This Drum Lifter is for appliances produced after date code 507270000
(27th July 2005).**

Please check the image of this part before ordering.

SN1156: Notice SN1156

This Drum Lifter is for appliances produced before date code 507269999 (27th July 2005).

Please check the image of this part before ordering.

SN1162: Notice SN1162

CONDENSOR/VENTED TUMBLE DRYERS

CHANGES TO THE REAR PANEL and DRUM BEARING

Rear Panel

The original Rear Panel is no longer available.
The Service Replacement Rear Panels are now a kit with a Teardrop shaped Bearing, these Panels are fully interchangeable with the earlier Rear Panels.

Drum Bearing

Two Versions of Drum Rear Bearing have been used in production.

Original Bearing was Square shaped.
Later Production was Teardrop shaped

The Bearings are not interchangeable.

The large M10 washer is not required on models with a Teardrop Bearing.

Inspect the Bearing fitted and use Part Finder to identify the correct Bearing.

SN1173: Notice SN1173

INTRODUCTION of BITRON DOOR LOCK and NEON

From Serial Number 60327.0000 (March 2006) a Bitron Door Lock and Neon have been introduced on Condenser Mechanical Tumble Dryers.

Click "View List" below to select correct part required.

SN1175: Notice SN1175

MICROSWITCH OPERATING PIECE

From Serial Number 60525.0001 the length of the Micro Switch Operating Piece has been increased by 2mm.

SN1176: Notice SN1176

DRYERS WITH MODIFIED REAR DRUM PROFILE

From Serial Number 60605.0001 all Vented Models and
From Serial Number 60606.0001 all Condenser Models.

The rear profile of the drum has been changed, along with this change the Drum Rear Seal has changed from 26mm to 16mm.

When replacing a rear drum seal after these dates a 16mm seal must be used.

Confirm correct part required from Partfinder.

Note. If a machine with a serial number before the above dates, has had a drum fitted with a modified rear drum profile, a 16mm seal must be used.

SN1177: Notice SN1177

SN1180: Notice SN1180

CONDENSER PUMP AND FLOAT

A Kit is required to replace a Pump if the Serial Number is before 60602.9999, as the original Pump is no longer available

From Serial Number 60603.0000 a New Pump and Float have been used in Production.

When changing the float or pin on these later models, the Float and Pin must be changed together and are available as the Float/Pin Kit.
Water Deflection Vert./Horz. And seal are not used in the new assembly.

From Serial Number 71025.0000 the Float pin was reduced by 3mm to allow more water into the float reservoir.

The Parts are Not Interchangeable.

Click "View List" below to Select the Correct parts to order.

NEW FRONT PANEL AND TIMER ADAPTOR

Mechanical Condenser Dryer

From Serial Number 60927.0001 a new Front Panel and Timer Adaptor have been used in Production.

The Front Panels are interchangeable, but the Timer Adaptor will only fit the same production Front Panel.

Click "View List" below to Select the Required Parts.

SN1181: Notice SN1181

351 MOTOR and 8UF CAPACITOR MECHANICAL CONDENSER MODELS

MOTOR

From Serial Number 50311.0001 a 351 motor and 8uf Capacitor have been used in production.

Before Serial Number 50311.0000 a 350 motor and 7uf capacitor were used.

Only the 351 motor is now available as a kit with a 8uf Capacitor and can be used both before and after Serial number 50311.0000.

CAPACITOR

A 7uf Capacitor must be used if the machine is fitted with a 350 motor.

A 8uf Capacitor must be used if the machine is fitted with a 351 motor.

Click "View List" below to assist in identifying the correct part.

SN1182: Notice SN1182

CONDENSER MOTOR and COOLING FAN

FAN

From Serial number 60907.0001 the fixing dimensions to the motor shaft changed.

With this change to the motor shaft a new version of cooling fan was introduced, the original and new versions of fan are not interchangeable. The original fan C00207723 (1703002) can only be fitted to a model produced before serial number 60907.0001

A further change has been made to the original fan C00207723 (1703002) this has been replaced in service by a fan that is shorter in length to 72mm part code C00095599. The fitting of this fan does not effect the performance of the condenser drying process.

For 'C' Energy models a change has also been made in production to the fan as fitted from serial number 60907.0001 C00199451 (1703672) this has been replaced by a fan that is shorter in length 72mm part code C00272335. The fitting of this fan does not affect the performance of the condenser drying process.

MOTOR

The service motor type 351 part code C00194688 is used for replacement to all production and is supplied as a kit including the later version fan C00272335 and an 8uf capacitor

Click "View List" below to Select Parts

n4407c00: Silnik sprêżarki

Od numeru seryjnego 60907.0001 zmieniono silnik suszarki kondensacyjnej oraz wentylator ch³odz¹cy. Zmieniono sposób wk³adania/mocowania wentylatora ch³odz¹cego.

Nowy wentylator ch³odz¹cy i silnik nie s¹ wzajemnie wymienne z modelami o numerach ni¿szych ni¿ 60907.0001.

Do wymiany silnika dostêpny jest zestaw, obejmuj¹cy najnowszy silnik, kondensator 8uf oraz najnowszy wentylator ch³odz¹cy.

Ten zestaw silnika mo¿e byæ montowany na modelach o numerach zarówno ni¿szych jak i wy¿szych ni¿ numer seryjny 60907.0001, pod warunkiem, ¿e wszystkie czêœci w zestawie bêd¹ wymienione.

n4407i00: BRACE FITTED TO VENTED MODELS REAR PANEL

BRACE FITTED TO VENTED MODELS REAR PANEL

A Brace has been fitted to all current Vented Tumble Dryers from Serial Number 71210.0000

The Brace can be fitted to Machines before Serial Number 71210.0000 providing the Rear Panel is replaced as well. The Brace is secured to the Rear panel by 2 screws.

See Parts List for required parts.

n4408e00: CONDENSER DOOR CATCH/LATCH CHANGES

INTRODUCTION OF EMZ DOOR CATCH/LATCH

From serial number 80215.0000 a EMZ Door Catch and Latch were used in production.

A EMZ Door Catch Kit, including the latch and catch replaces any faulty catch whatever the serial number.

If the Latch only, is required the correct Latch can be identified from partfinder, by viewing the attached photograph.

n4408f00: CONDENSOR DRYER BASE/WHEELS

CONDENSOR BASE ASSEMBLY/REMOVAL OF WHEELS FROM THE BASE

FROM SERIAL NUMBER 80424.00001 a new condensor dryer base assembly has been used in production.
The new assembly has sliders moulded into the base to replace the original 2 rear wheels.

n4409i01: Bearing Pad Grooved

'C' Energy Condenser Tumble Dryers.

From serial number 90817.0001 the quantity of bearing pads C00255284 fitted on production was reduced fro 5 to 4.

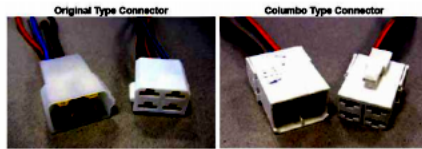
'B' Energy Condenser Tumble Dryers are not effected and will continue to use 5 bearing pads

n4410k01: TUMBLE DRYER HEATER CHANGE

FROM SERIAL NUMBER 01112.0000 (12th November 2010) A NEW HEATER WITH A COLOMBO CONNECTOR HAS BEEN USED IN PRODUCTION.

THIS NEW HEATER IS NOT INTERCHANGEABLE WITH THE PREVIOUS ONE.

CLICK "VIEW LIST" BELOW TO SELECT THE CORRECT PART REQUIRED.



n4407f00: INLET RING REMOVED

FROM SERIAL NUMBER 70521.0000 THE INLET RING IS NO LONGER USED IN PRODUCTION.

n4408102: DRUM SUPPORT WHEELS

THE DRUM SUPPORT WHEELS ARE NO LONGER USED IN PRODUCTION.

IF THE DRUM SUPPORT WHEELS REQUIRE REPLACING, A KIT IS AVAILABLE, WHICH USES FRONT BEARING PADS TO SUPPORT THE DRUM FRONT.