



Service-Information

ACCESS Waschvollautomat AWM 8000-F

8570 075 29000

Letzte Änderung: 07.06.2008

Anlagedatum: 07.06.2008

Ersatzteilliste	2
Explosionszeichnung	6
Schließschema	8
Anschlußplan	11
Stromlaufplan	12
Programmablaufplan	13
Text /Legende	19

Die vorliegenden Serviceunterlagen sind ausschließlich für technisch qualifizierte Fachkräfte bestimmt, welche mit den entsprechenden einschlägigen Sicherheitsvorschriften vertraut sind.

Änderungen vorbehalten

Ersatzteilliste

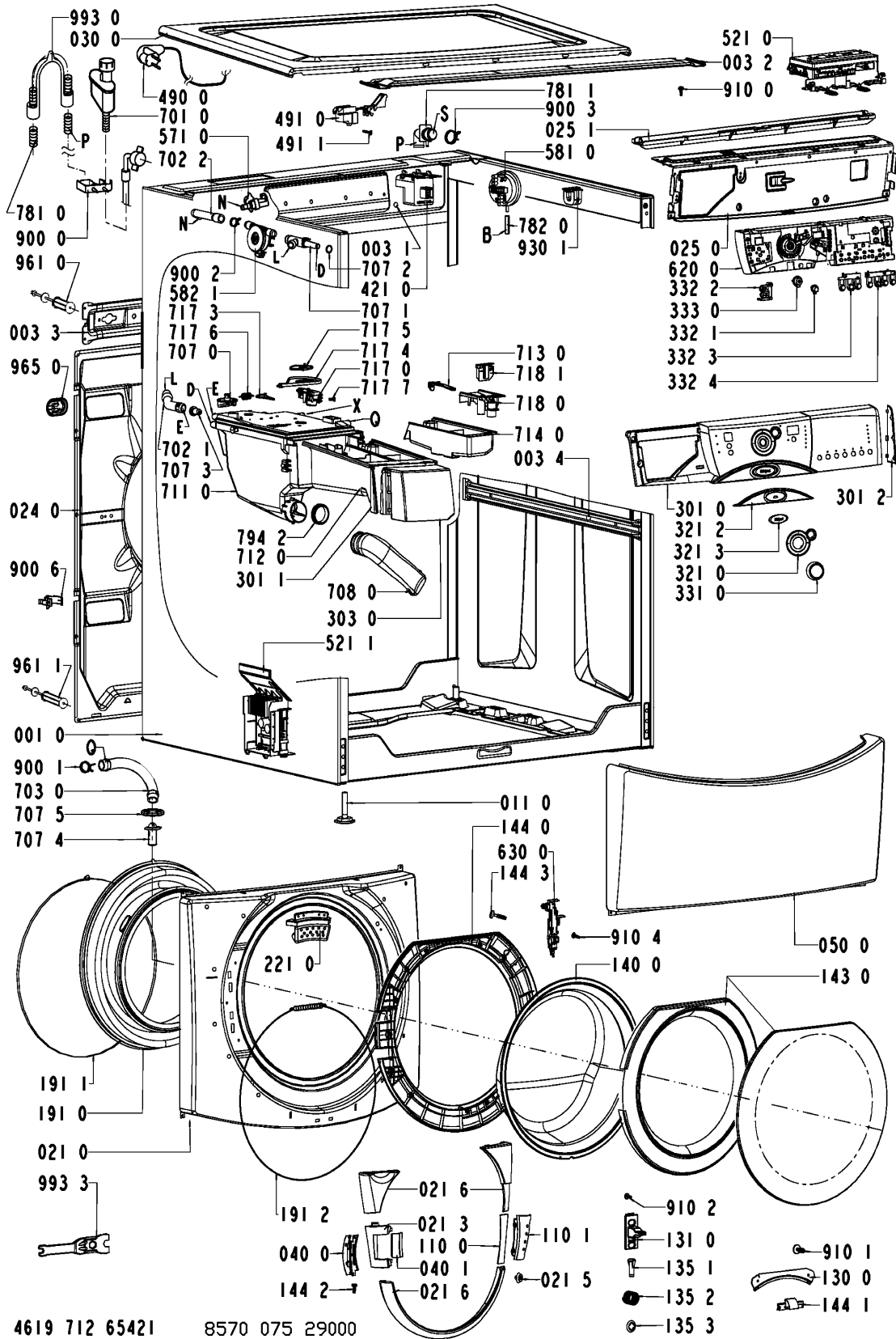
Pos-Nr.	12NC	Beschreibung
001 0	4812 440 10625	Gehaeuse
003 1	4812 464 48162	Traverse hinten
003 2	4812 464 48163	Traverse Arbeitsplatte
003 3	4812 464 48176	Traverse Transport
003 4	4812 464 48164	Strebe seitlich
004 0	4812 440 10623	Bodenwanne
011 0	4812 462 18261	Fuss verstellb.
021 0	4812 440 10807	Frontblende weiss
021 3	4812 440 98136	Scharnierabde.
021 5	4812 404 78466	Klammer fuer Schild
021 6	4812 440 98154	Schild kpl.
024 0	4812 440 10788	Rueckwand
025 0	4812 440 10789	Halterung Steuerung
025 1	4812 440 10791	Wasserfuehrung
030 0	4812 440 10626	Arbeitsplatte weiss
040 0	4812 417 19179	Scharnier kpl.
040 1	4812 417 78091	Abdeckung Scharnier WH
050 0	4812 459 38061	Sockelblende weiss
061 0	4812 466 88595	Gegengewicht hinten
061 1	4812 466 88706	Gegengewicht vorne
081 0	4812 466 48092	Stossdaempfer
086 0	4812 452 18994	Schraube M8x20 A2F
086 1	4812 502 18399	Mutter Motor/Gewicht. M 8
110 0	4812 498 18274	Handgriff Tuer Schaumstoff
110 1	4812 498 18236	Handgriff Tuer kpl.
130 0	4812 417 28086	Platte Tuerverschluss
131 0	4812 417 28087	Verschlussshaken Tuer
135 1	4812 498 18264	Stift Tuersicherung
135 2	4812 492 58044	Feder Tuersicherung
135 3	4812 532 18068	U-Scheibe Tuersicherung
140 0	4812 450 78019	Schauglas
143 0	4812 440 11117	Fensterrahmen + Schutz, blau
144 0	4812 440 10834	Rahmen Tuerglas
144 1	4812 401 48585	Klemme Schauglas
144 2	4812 560 18068	Schraube DIN 7500, CM 5x14
144 3	4812 502 48015	Schraube 4,0x16-TORX
191 0	4812 310 18865	Manschette fettbestaendig KIT
191 1	4812 401 18619	Schelle Manschette, Bottich
191 2	4812 401 18621	Ring Manschette vorne
200 1	4812 418 18405	Bottichhaelfte vorn
200 2	4812 418 18449	Bottichhaelfte hinten kpl.
200 4	4812 290 88054	Klemme fuer Behaelter
220 0	4812 418 18403	Trommel
221 0	4812 466 68736	Ablenklech
223 0	4812 418 48573	Mitnehmer
271 0	4812 358 18187	Riemen J7
272 0	4812 528 58037	Riemenscheibe
272 1	4812 532 28941	Mutter M16 f.Riemenscheibe
290 0	4812 532 68124	Dichtung Bottich
301 0	4812 452 11736	Schalterleiste AWM 8000

Pos-Nr.	12NC	Beschreibung
301 1	4812 452 12276	Endkappe links
301 2	4812 452 12277	Endkappe rechts
303 0	4812 498 78241	Griff Schublade 6.SENSE
321 0	4812 452 11738	Einlage hinter Knopf
321 2	4812 452 11737	Fuellstueck Tuer
321 3	4812 459 18237	Aufkleber WH-Logo
331 0	4812 413 18286	Knopf mit Feder
332 1	4812 410 28963	Taste Start Delay
332 2	4812 410 28967	Tasteneinheit +/-
332 3	4812 410 28965	Tasteneinheit Optionen 3x
332 4	4812 410 28964	Tasteneinheit Optionen 4x
333 0	4812 410 28966	Taste Start
400 0	4812 361 58351	Motor 3-Phasen
421 0	4812 121 18142	Entstoerfilter 1,00 μ F
430 0	4812 360 18524	Pumpe
430 1	4812 466 68757	Daempfer Gummi hinten
430 2	4812 466 68758	Daempfer Gummi vorne
451 0	4812 259 28758	Heizelement 2050W + NTC
451 1	4812 401 18622	Befestigung Heizelement USA
451 2	4812 560 18069	Schraube MP 1951, M4x14 SS
480 0	4812 321 78152	Kabelbaum Motor
480 1	4812 321 78154	Kabelbaum Haupt
480 2	4812 321 78153	Kabelbaum Ventil
490 0	4819 321 18136	Netzkabel 2m SA
491 0	4812 321 28367	Zugentlastung
491 1	4812 502 38152	Schraube 4,8x19
521 0	4812 214 58099	Steuerung (CB)
521 1	4812 214 78867	Kontrolleinheit Motor
571 0	4812 281 28429	Zulaufventil einfach
581 0	4812 271 28504	Niveauschalter
582 1	4812 271 18011	Stroemungsmess. OMEGA/ACCESS
620 0	4812 276 28404	Eingabe Electr. CUIO
630 0	4812 280 58041	Tuerverriegel.
631 0	4812 360 58336	Schwimmer Set Access Europa
691 0	4812 282 18702	Sensor NTC (SC1,OMEGA,ACCESS)
701 0	4812 530 28781	Wasserstopp-Zulaufschlauch 3,5 m
701 0	4819 530 28926	Wasserstopp-Zulaufschlauch 2,5m
702 1	4812 530 29276	Schlauch Y-Stueck, Einspuelb.
702 2	4812 530 29192	Schlauch Flowmeter
703 0	4812 530 48625	Schlauch Fensterspuelung
707 0	4812 526 48158	Duese Zulauf
707 1	4812 526 48159	Duese Zulauf kalt mit Y-Teil
707 2	4812 630 58102	O-Ring 8,1 x 1,6 mm
707 3	4812 526 48161	Duese Fensterspuelung
707 4	4812 526 48162	Duese Einlass Fensterspuelung
707 5	4812 530 78011	U-Scheibe f.Fenstersplg.
708 0	4812 530 48626	Kruemmer Zulauf
711 0	4812 418 68291	Einspuelbeh.
712 0	4812 418 89012	Schublade Waschmittel
713 0	4812 418 89013	Haken Schublade

Pos-Nr.	12NC	Beschreibung
714 0	4812 418 79819	Behaelter Fluessigwaschmittel
717 0	4812 323 18006	Aktivator f. Einspuel.
717 3	4812 321 38026	Hebel Anschluss
717 4	4812 321 38027	Hebel Verteiler
717 5	4812 528 38069	Nocken Aktivator
717 6	4812 492 58045	Feder f. Hebel
717 7	4812 502 18623	Schraube PT3,5x20-TORx20
718 0	4812 526 48139	Saugheber
718 1	4812 418 88994	Trennteil Set
753 0	4812 418 68292	Luftkammer
754 0	4812 530 29278	Ablaufbalg
754 1	4812 530 29279	Verschluss ECO Ball
754 4	4812 401 18623	Klemme 98,5 mm
760 0	4812 480 58294	Filter Set Pumpe
760 1	4812 466 88707	Dichtung Filter
781 0	4812 530 29281	Ablaufschlauch
781 1	4812 530 29282	Schlauchverbin. Ablauf
782 0	4812 530 29196	Schlauch Niveauschalter,mit Schutz
783 4	4812 530 29284	Ablaufschlauch innen
787 0	4812 530 28813	Schlauch,Entl.
787 1	4819 401 18868	Schlauchschele 26,8 mm
787 5	4812 401 18624	Klemme 52,0 mm
794 2	4812 530 58164	Dichtmanschette
794 5	4812 530 58098	Dichtung Luftkammer
900 0	4812 255 18204	Halter Ablaufschlauch
900 1	4822 401 10492	Schlauchschele 14-24 mm
900 2	4812 401 18501	Schlauchschele 19,2 mm
900 3	4812 401 18626	Klemme 32,7 mm
900 4	4812 401 18627	Klemme 40 mm
900 6	4812 255 18249	Halter Ablaufschlauch innen
910 0	4812 502 48344	Schraube
910 1	4812 502 18624	Schraube 3.5x10-F A2F
910 2	4812 502 38352	Schraube 4x10
910 4	4812 930 08022	Schraube 4.2x13-F-H
910 5	4812 502 18382	Schraube M8 X 35
910 6	4812 502 38355	Schraube 4,2x16 T20
910 7	4812 502 18635	Schraube 4,2x9,5
921 0	4812 011 18525	Sicherungsring f. Antriebssysteme
930 0	4812 492 38387	Tragfeder
930 1	4812 492 38388	Silentblock
941 0	4812 520 28183	Kugellager 6307
941 1	4812 520 28004	Kugellager 6206
952 1	4812 524 48014	Buchse f. Wellendichtring
953 0	4812 530 68029	Wellendichtring
961 0	4812 310 18831	Distanzhuelse oben
961 1	4812 310 18832	Distanzhuelse unten
962 1	4812 466 38033	Abdeckung Motor
965 0	4812 466 68812	Abdeckung Access
965 1	4812 262 78011	Verschlusskappe Bottich hinten
993 0	4812 530 29095	Bogen

<u>Pos-Nr.</u>	<u>12NC</u>	<u>Beschreibung</u>
993 3	4812 395 58004	Werkzeug

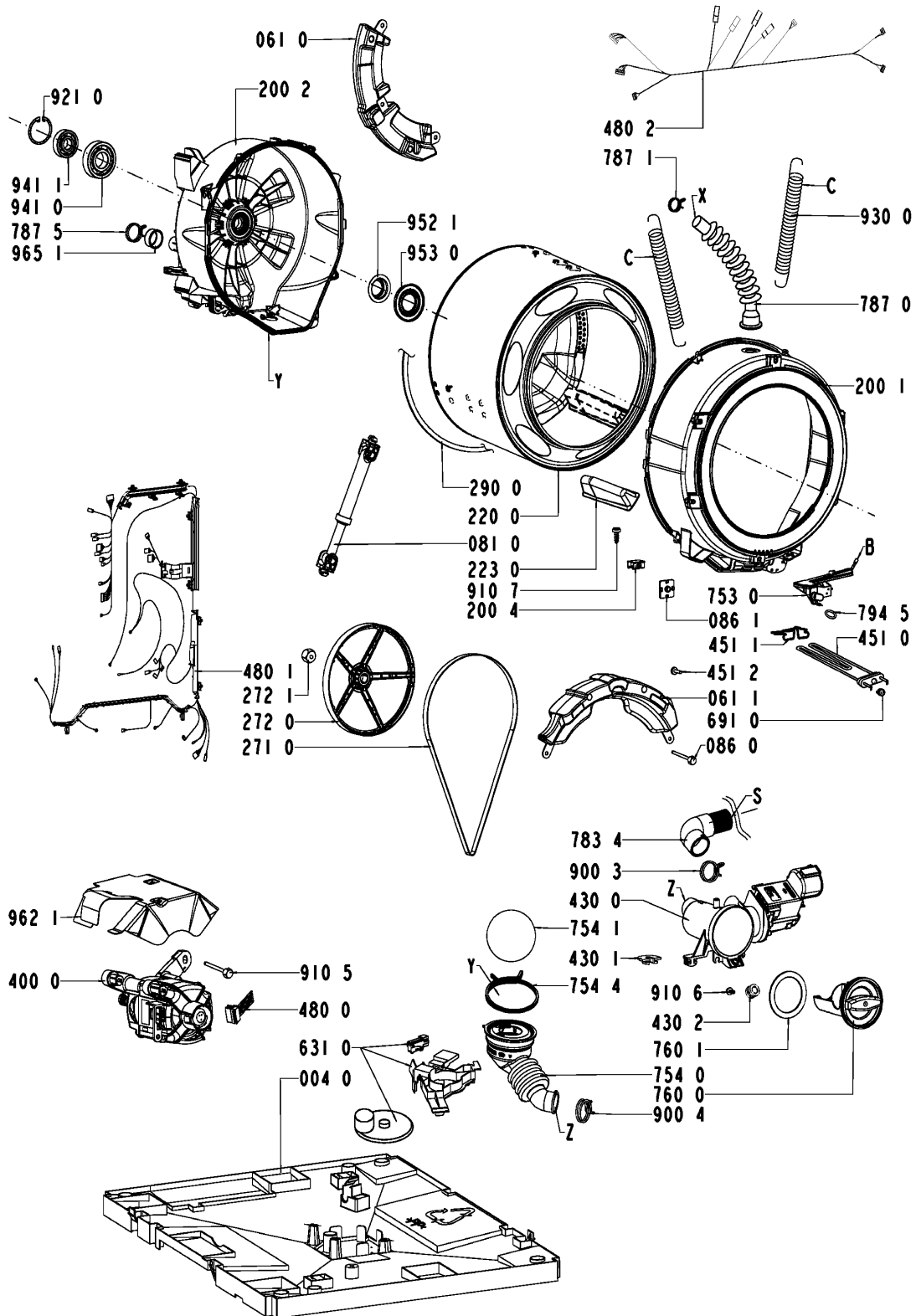
Explosionszeichnung



4619 712 65421

8570 075 29000

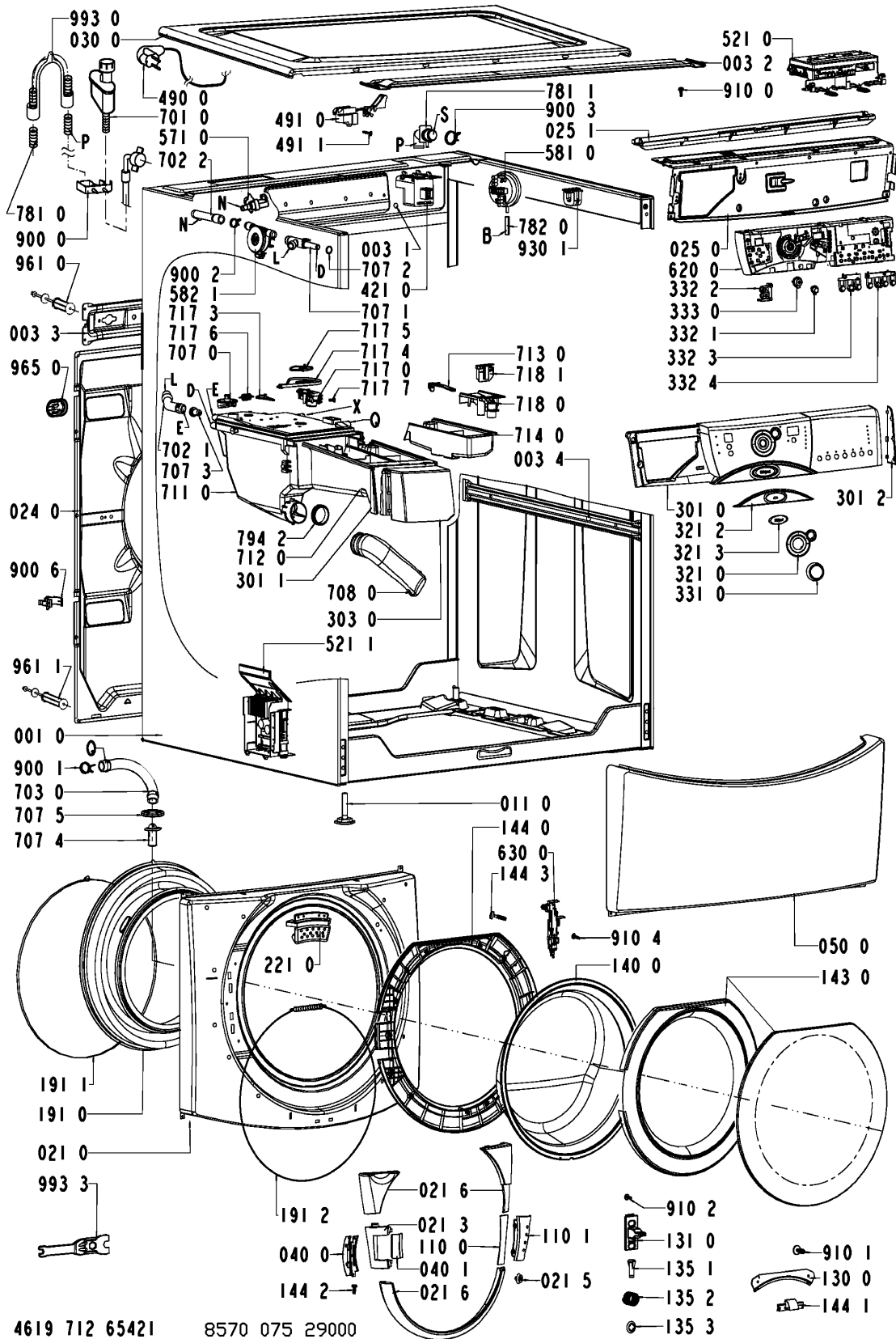
Explosionszeichnung



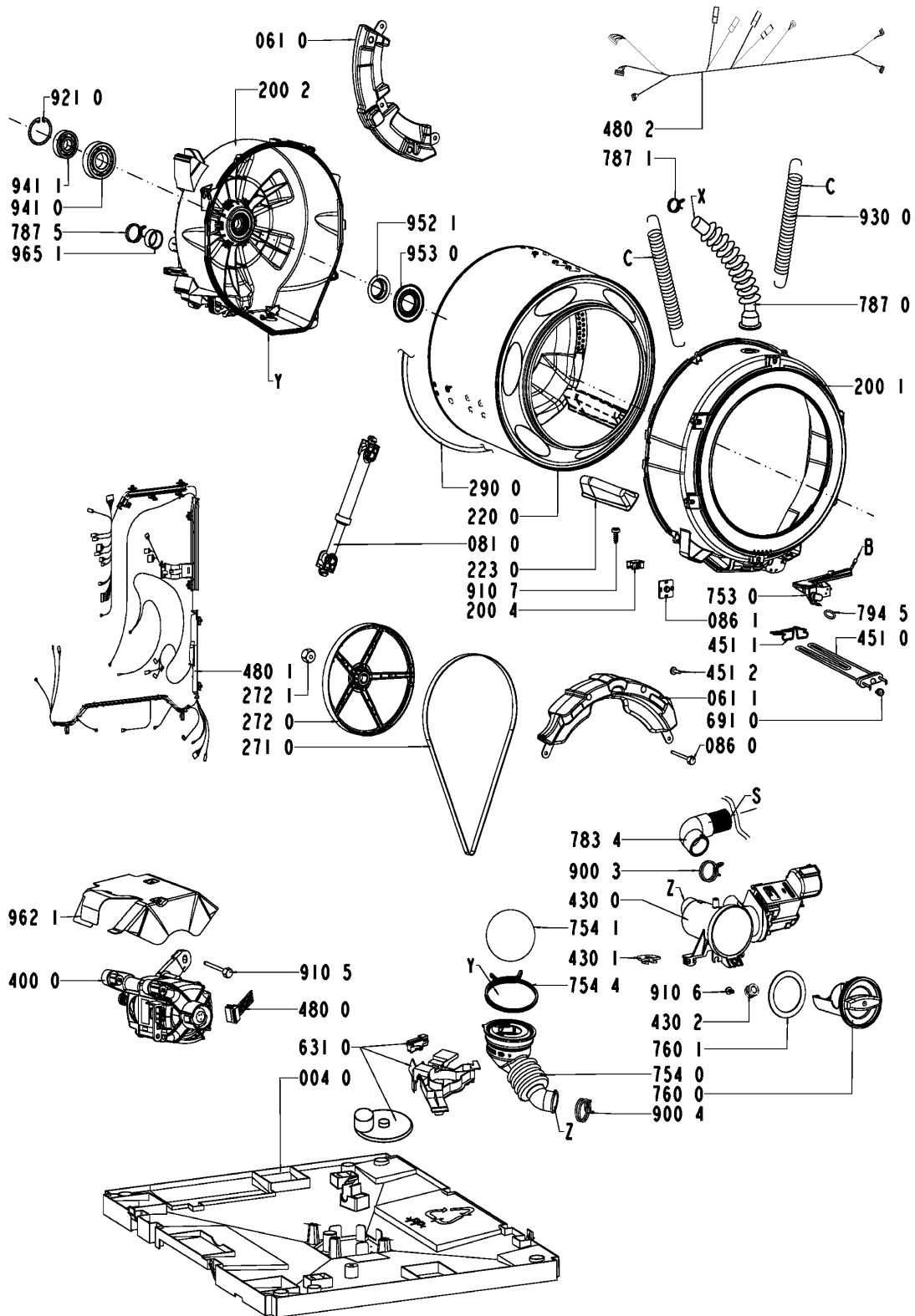
4619 712 65421

8570 075 29000

Schließschema



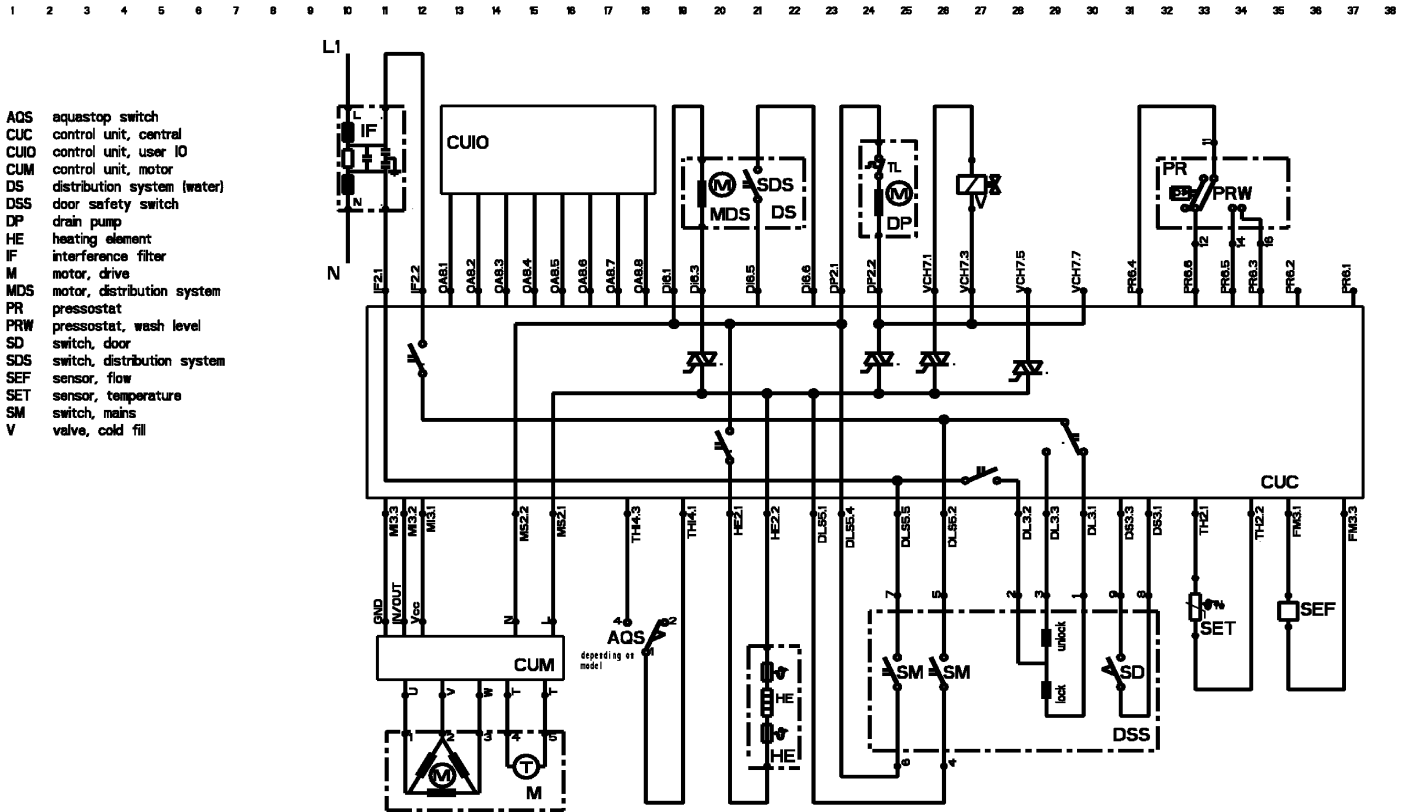
Schließschema



4619 712 65421

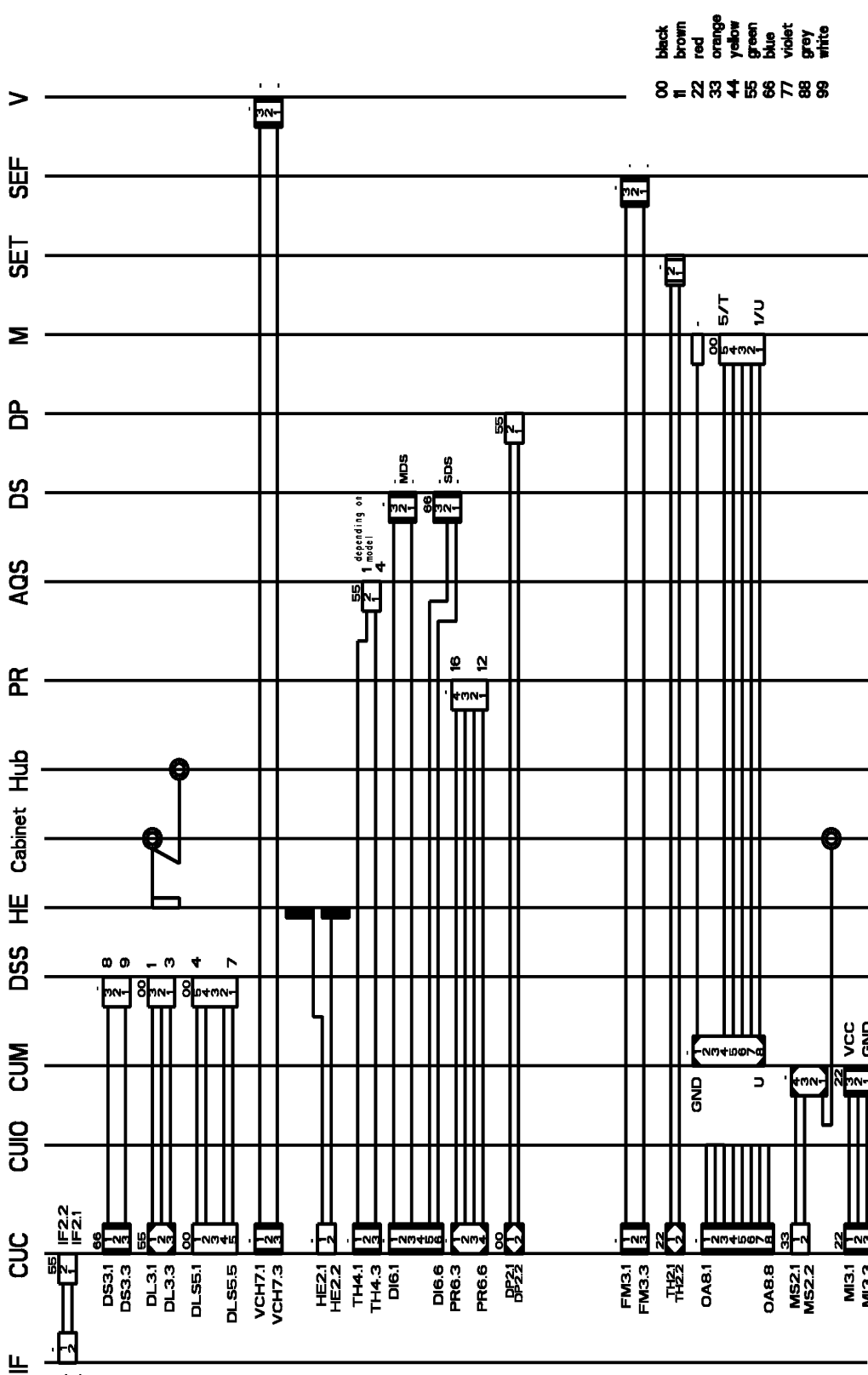
8570 075 29000

Schließschema



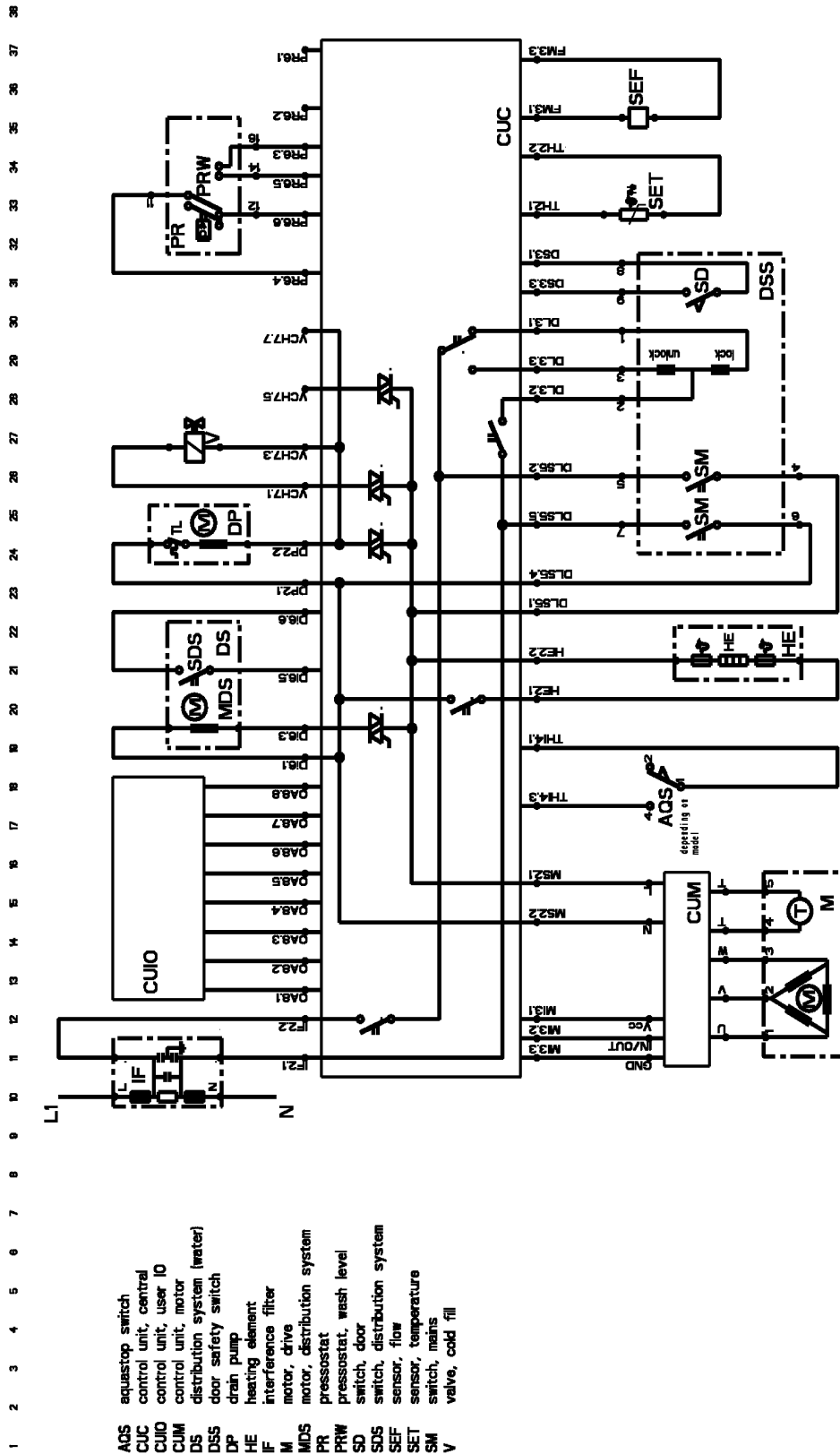
4619 712 65811

Anschlußplan



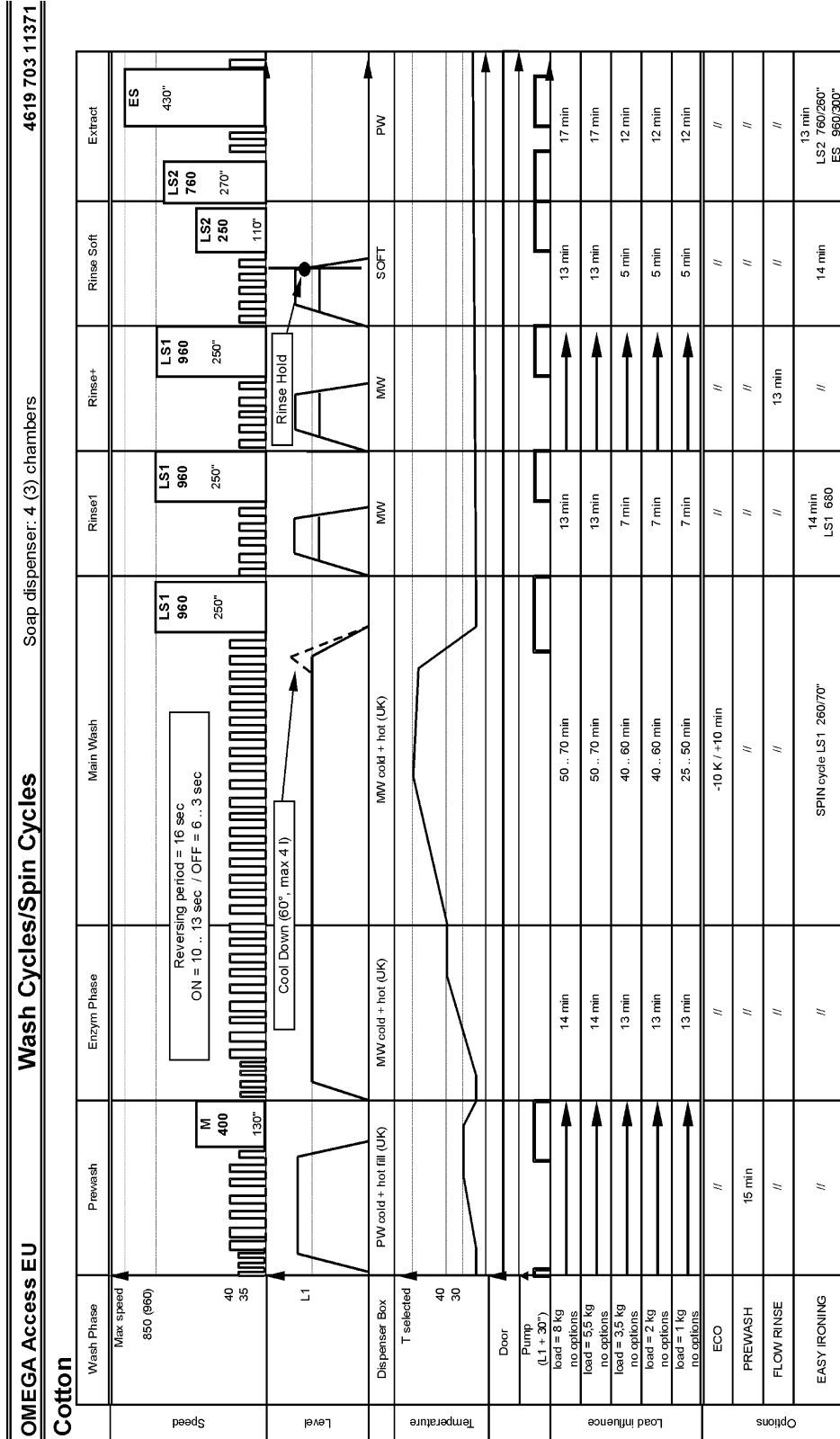
4619 712 65811

Stromlaufplan

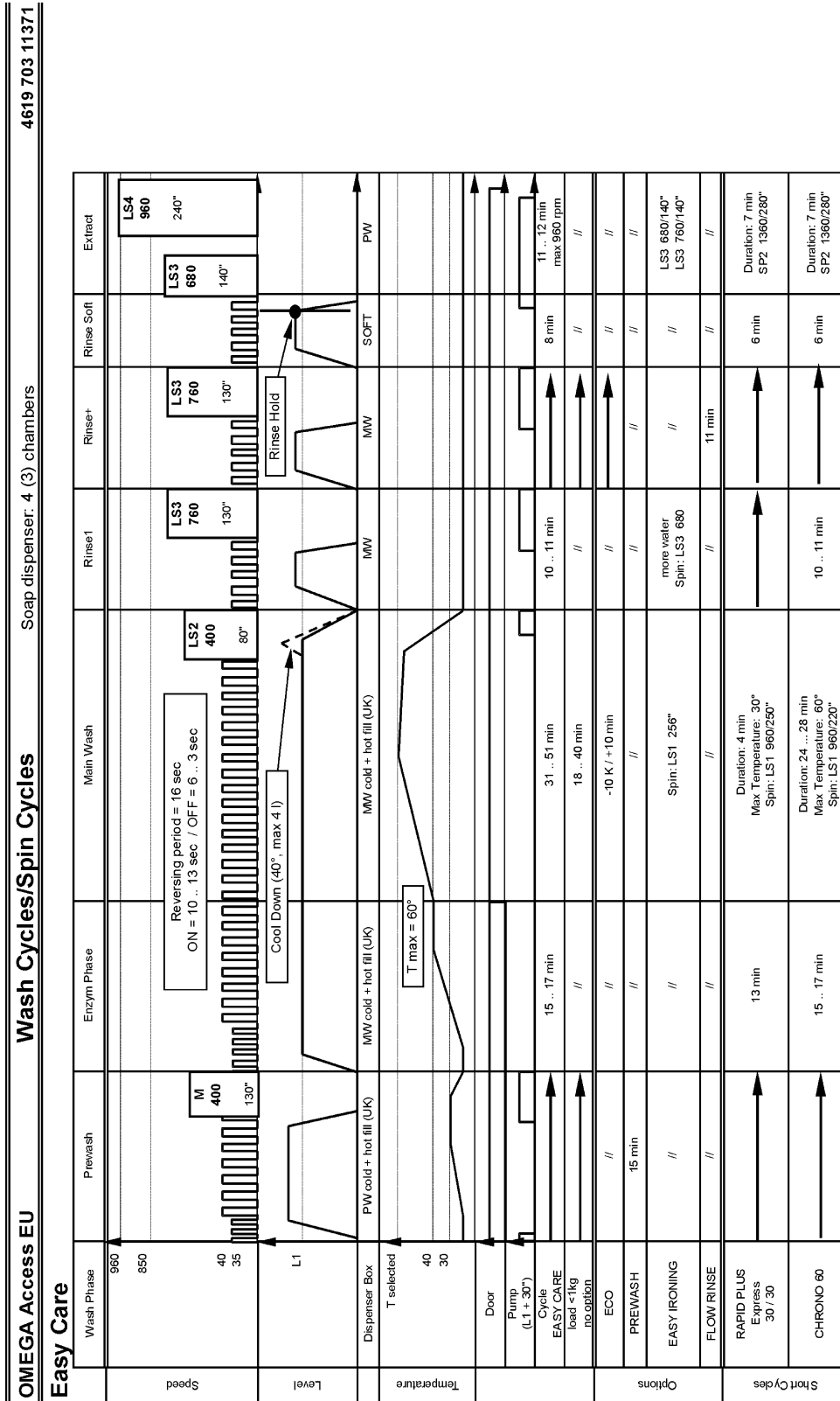


4619 712 65811

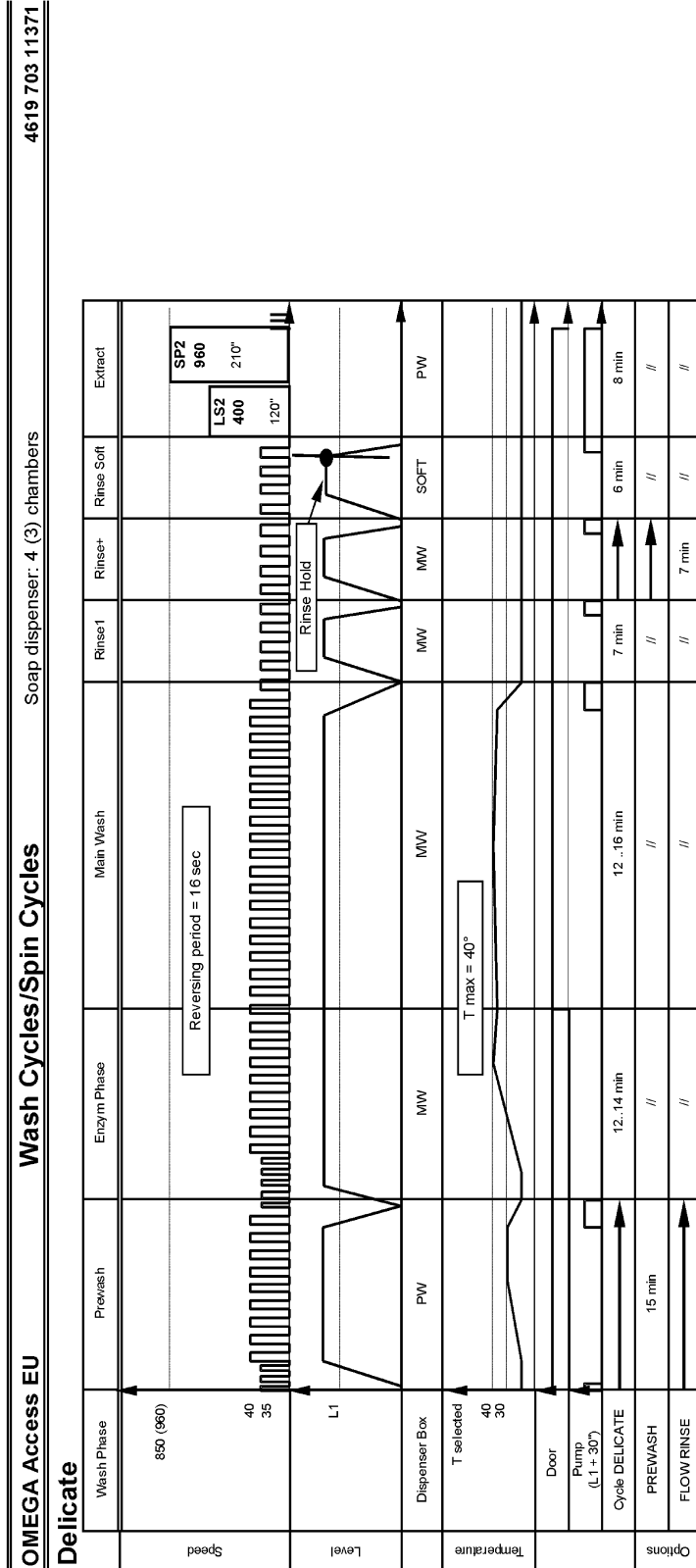
Programmablaufplan



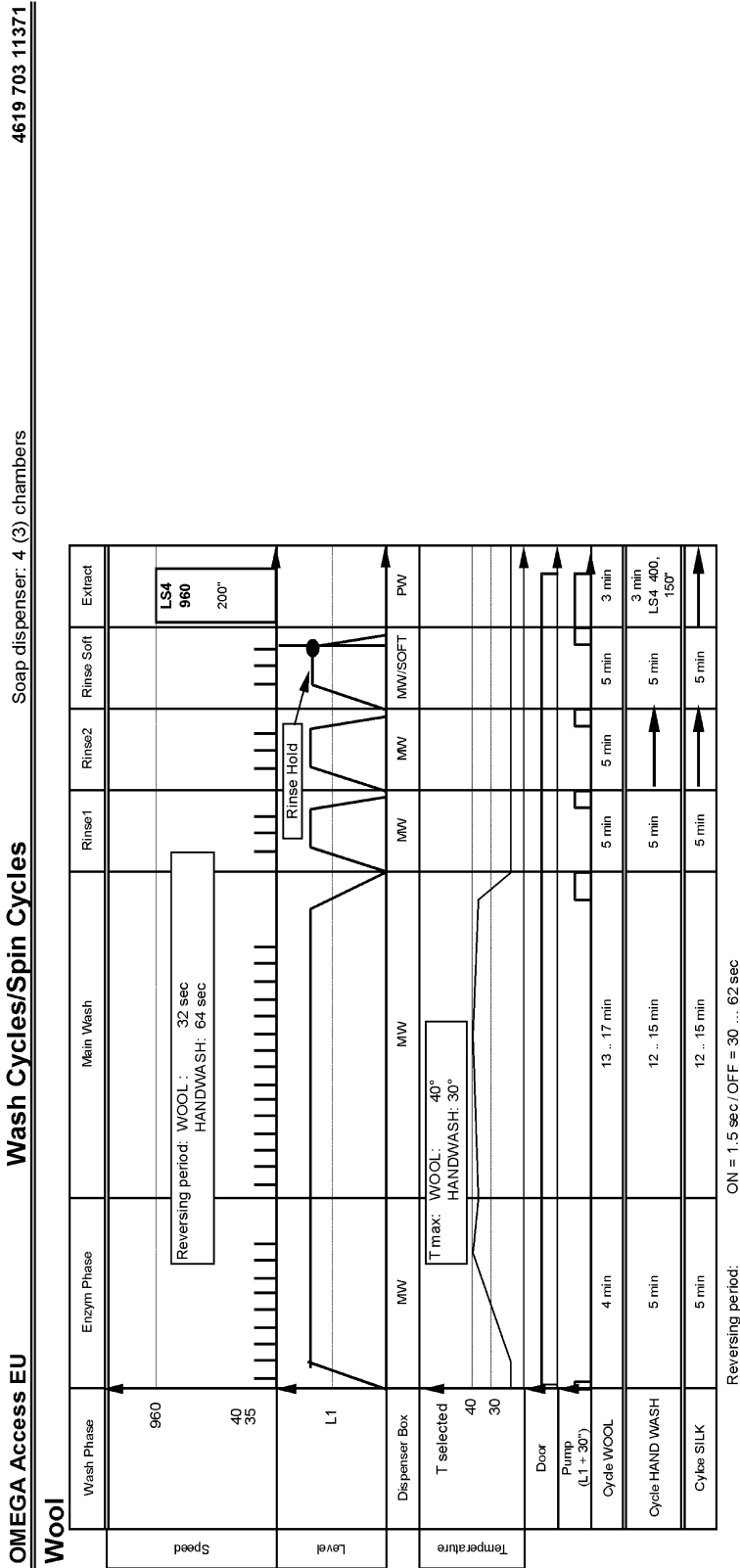
Programmablaufplan



Programmablaufplan



Programmablaufplan



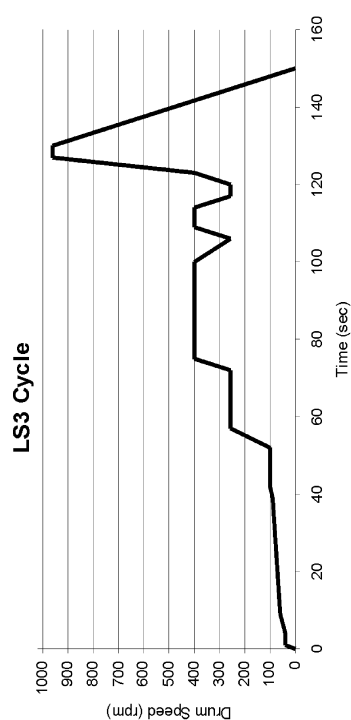
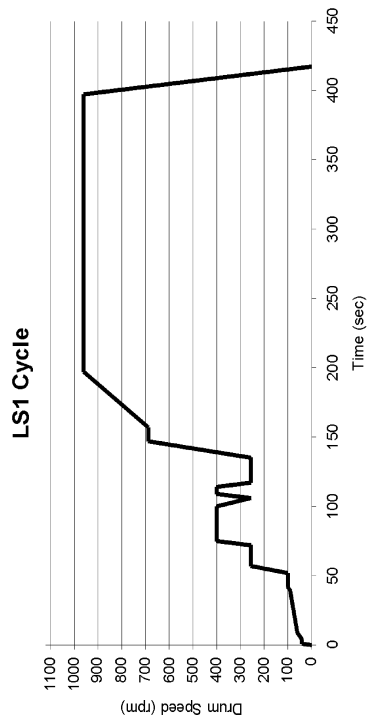
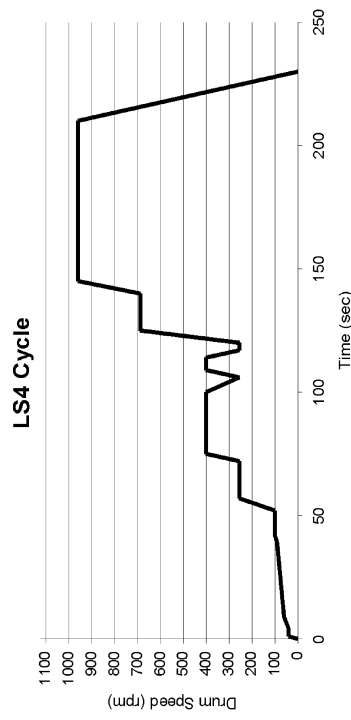
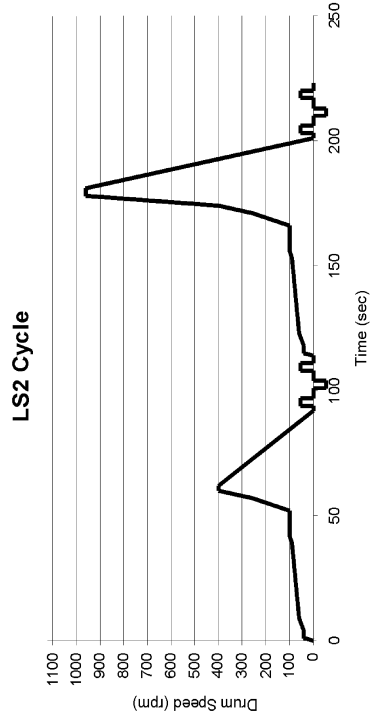
Programmablaufplan

4619 703 11371

Soap dispenser: 4 (3) chambers

Wash Cycles/Spin Cycles

OMEGA Access EU



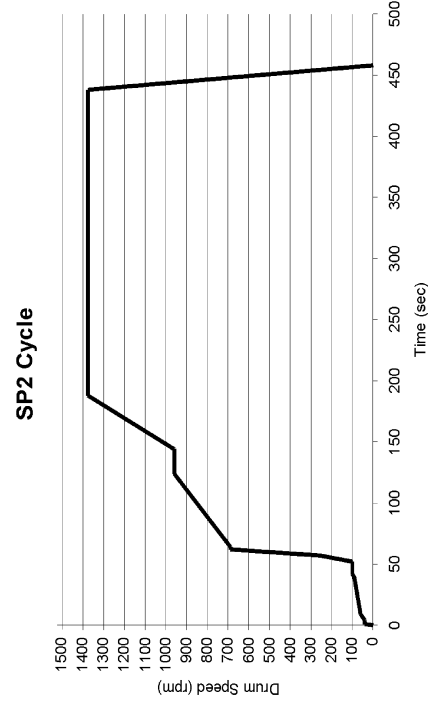
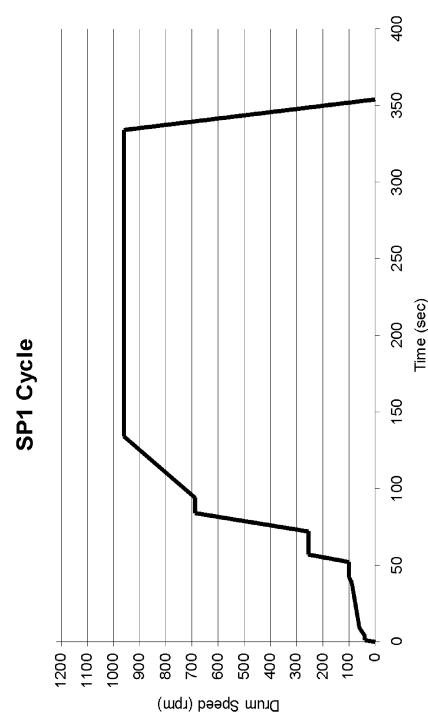
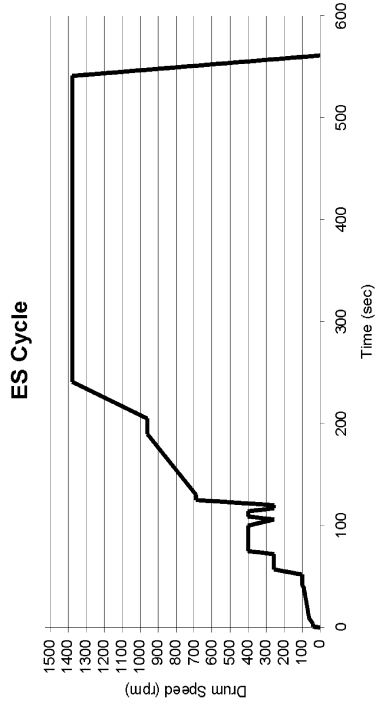
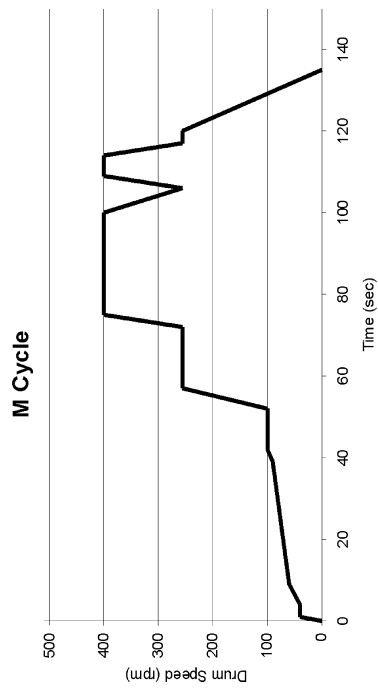
Programmablaufplan

4619 703 11371

Soap dispenser: 4 (3) chambers

Wash Cycles/Spin Cycles

OMEGA Access EU



Text /Legende

OMEGA Access EU	Test Program	4619 703 11371
------------------------	---------------------	-----------------------

- | | | |
|-----|---------------------------------------|--|
| 1 → | Select program
(SEMI / HEAVY DUTY) | Drain
Drain / Spinning and reduce spin speed to 0) |
| 2 → | Start test program | Push prewash option 4 times within 5 seconds |
| 3 → | Indication elements | DIGITS remaining Indicate current program step
LED start ON
LED prewash/wash/rinse FLASHING |
| 4 → | Go to next step | Push prewash option twice |
| 5 → | Finish test program | Move the program selector from the DRAIN position |

Attention: Use the test program only without laundry !

Remaining Time	Function	Duration	Check	Drum Rhythm
C0	Lock the door Initialize MCU	Until the door is locked	Door Lock Function, Motor Control Unit (MCU)	
C1	Fill, current dispenser position	Until L1 is reached	Flowmeter, Valve Cold, Pressostat	
C2	Move dispenser motor to prewash		Dispenser Motor	
C3	Fill (cold + hot)	L1 + 30"	Valve Hot (if hot fill appliance)	
C4	Movement	30"	Motor, MCU	Drum CW 35 rpm
C5	Wash + Heat	max 50° + 1 min	Heater, NTC, Motor, MCU	Drum CW 35 rpm
C6	Drain	L1	Drain Pump, Motor	Drum CW 35 rpm
C7	Ramp	15"	Motor, MCU	Drum CCW Ramp 35 - 90 rpm
C8	Spin (max speed)	240"	Motor, MCU	Drum CCW max speed

If failure occurs: The test program is stopped
Buzzer will beep
Speed LEDs are flashing
Failure Code indicated on remaining time digits

Text /Legende

OMEGA Access EU		Test Program	4619 703 11371
Display	Failure Description	Verify	
FH	<p>No water inlet detected or pressostat trip not detected. If after 30 seconds the control does not detect water entering machine the valves will be turned off and the error code will be displayed.</p> <p>Or</p> <p>If the control has turned the water valves on after 8 minutes the flow sensor has detected 48 liters of water passing through it, but has not detected the pressure switch trip, the valves will be turned off and the error code will be displayed.</p>	Water source opened Valve operation Wiring to Valves Drain Pump Flowmeter Pressostat Hoses	
FP	<p>Long Drain Error If the drain time exceeds 8 minutes, the drain pump is turned off and "FP" is flashing.</p>	Foreign objects in the Drain Pump Drain Pump Drain Hose Wiring to Drain Pump	
FA	<p>Aquastop Error If the aquastop switch is activated during the running program.</p>	Aquastop Switch	
F05	<p>NTC Error If during the water heating step in the wash cycle, the water temperature sensor (NTC) value is out of range, the "F05" error code will be displayed.</p>	NTC connections to NTC	
F06	<p>Drive Motor Tachometer Error The control board is unable to properly detect motor speed and the machine will shut down. If a failure occurs during high-speed spin the door will be unlocked after 3 minutes.</p>	Drive Motor MCU Harness to the Motor	
F07	<p>Motor Control Unit (MCU) Error The control board has detected a short circuit in the motor control unit. If a failure occurs during high-speed spin the door will be unlocked after 3 minutes.</p>	MCU	
F08	<p>Heating Element Disturbance in wiring - open circuit.</p>	Heating Element Control Board Wiring	
F09	<p>Overflow Condition If the overflow contact on the pressostat is closed for more than 60 seconds an overflow condition will be detected. In an overflow condition, the door will remain locked, and the drain pump will run constantly, even if PAUSE/CANCEL is pressed twice and the display is cleared. Unplug the unit to service.</p>	Valve operation Flowmeter Pressostat Drain Pump operation Hoses	
F10	<p>MCU/Heat Sink Thermal Trip If the thermal protector on the MCU heat sink gets too hot, it will open the thermal protector. The motor functions will be stopped and "F10" is displayed.</p>	MCU Motor Ambient temperature Placement of appliance	
F11	<p>Communication Error Control Board-MCU If the control board unit is unable to transmit data to the MCU.</p>	Control Board MCU Wiring to MCU	
F12	<p>Heating Element The heating element has either a short circuit to ground or the heating relay on the control board is stucked closed.</p>	Heating Element Control Board	
F13	<p>Dispenser Circuit Error If the dispenser motor is not able to be driven to it's proper position.</p>	Dispenser actuator Wiring to actuator	
F14	<p>EEPROM Error</p>	Control Board User Board Wiring to User Board	
F15	<p>Motor Control Unit (MCU) Error If the MCU detects multiple resets or errors during a wash cycle it will go into this error mode.</p>	MCU	
F21/F22	<p>Communication Error Control Board-User Board If the user board is not able to transmit/receive data to the control board.</p>	Control Board User Board Wiring to User Board	
FdL	<p>Door Lock Error A door lock error occurs if the door cannot be locked. The control board will try to lock it 6 times before displaying the error.</p>	Door Lock actuator Wiring to Door Lock Door Lock mechanics	
FdU	<p>Door Unlock Error A door unlock error occurs if the door cannot be unlocked. The control board will try to unlock the door 6 times before displaying the error.</p>	Door Lock actuator Wiring to Door Lock Door Lock mechanics	

Text /Legende

OMEGA Access EU Terminal Connecting Plan 4619 703 11371

