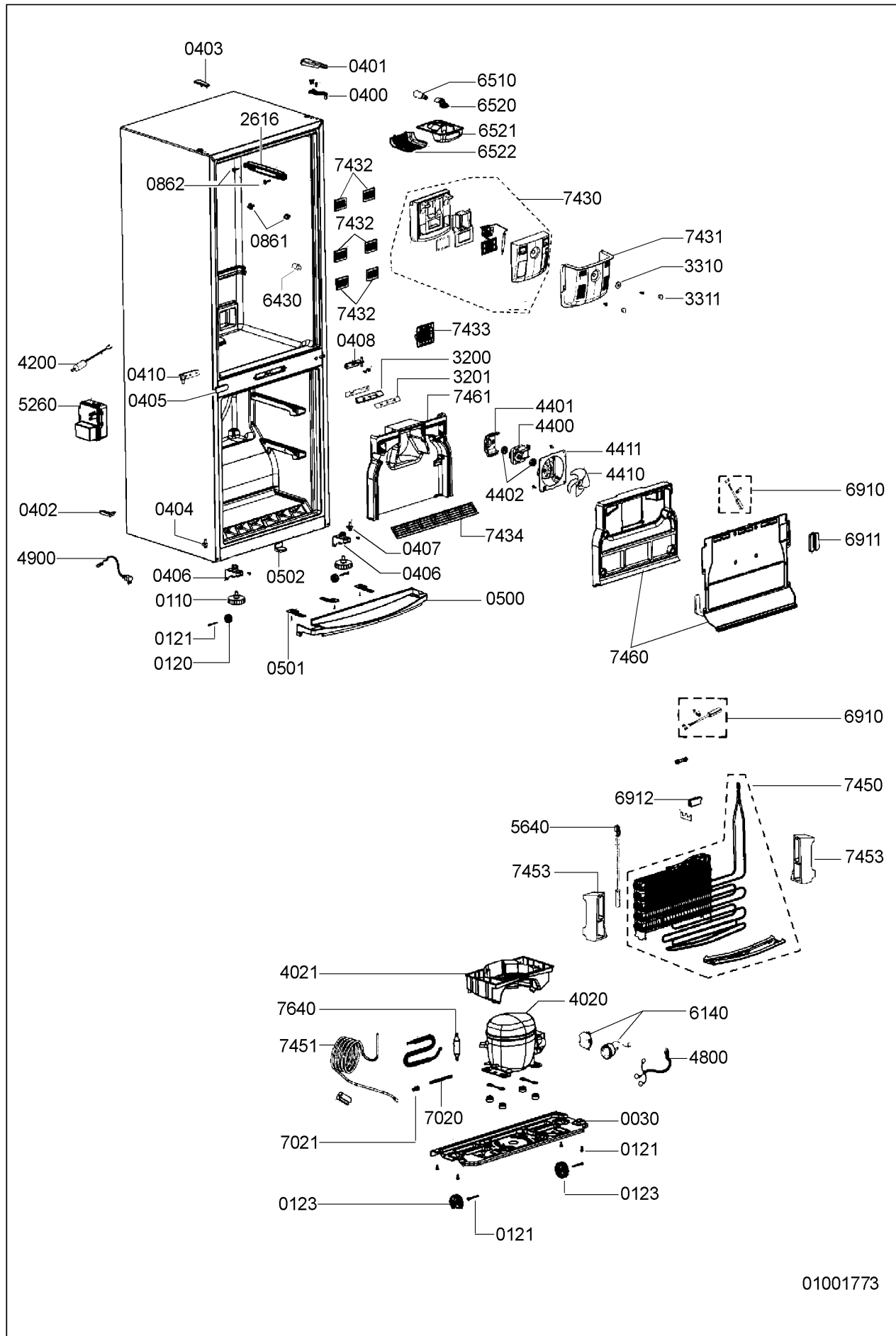
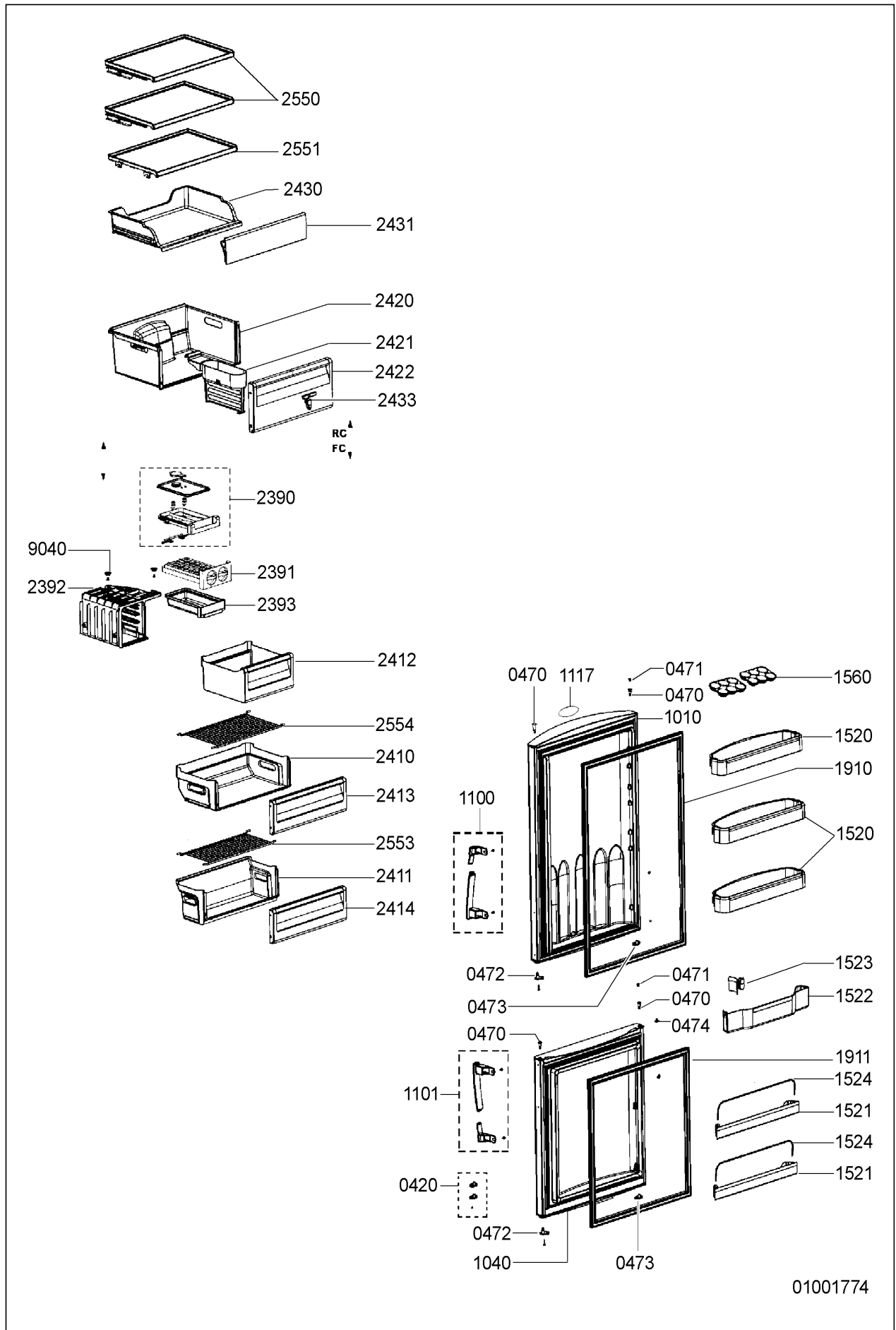


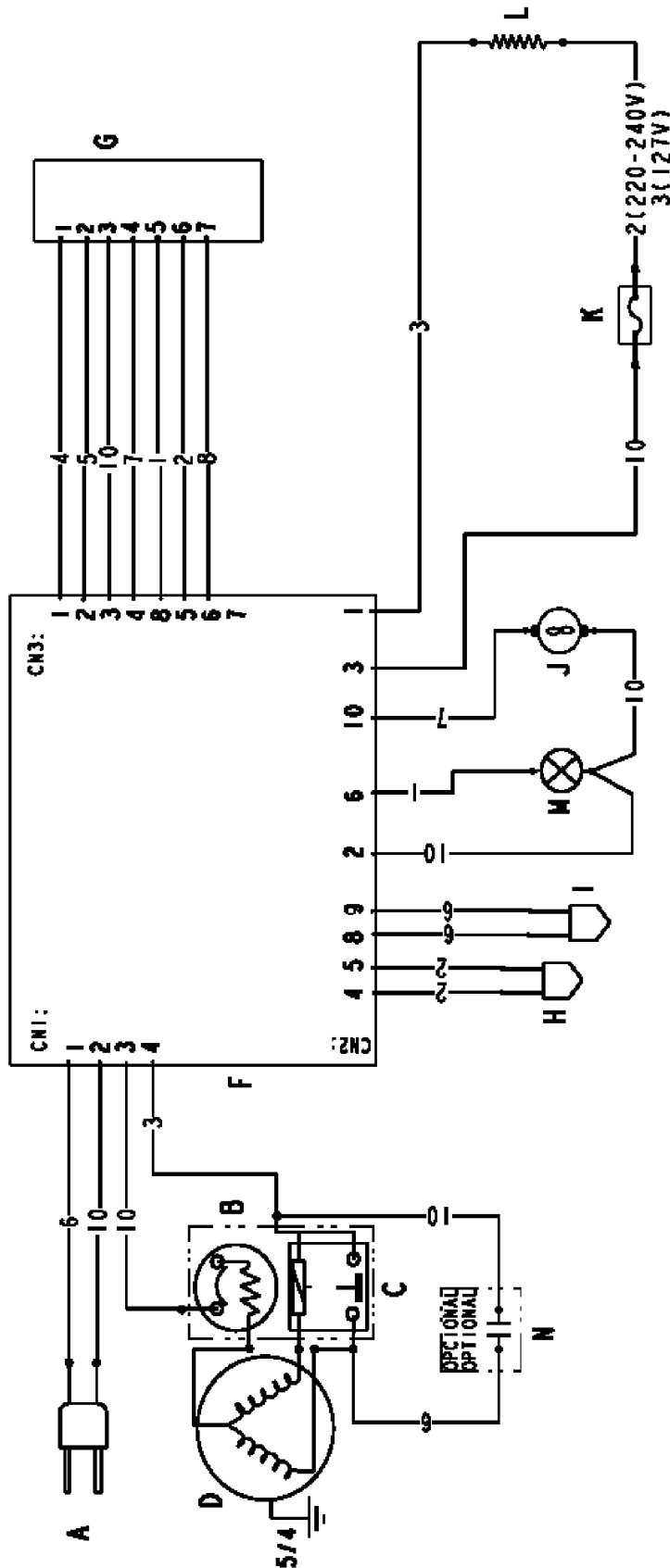
**Exploded view**



## Exploded view



**Circuit and Wiring diagram**

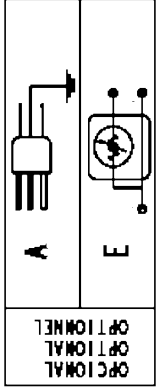


M	LAMPADA REFRIGERADOR REFRIGERATOR LAMP LAMPE REFRIGERATEUR LAMPARA REFR.
N	CAPACITOR MARCHA CONDENSATEUR MARCHÉ RUNNING CAPACITOR

G	PLACA INTERFACE INTERFACE BOARD
H	SENSOR TEMP. DEGELO DEFROST TEMP. SENSOR SENSOR TEMP. DEGIVRAGE SENSOR TEMP. DESHIELO
I	SENSOR TEMP. FREEZER FREEZER TEMP. SENSOR
J	MOTOR VENTILADOR FRE. FREEZER FAN MOTOR MOTEUR VENTILATEUR FRE
K	TERMOFUSIVEL THERMOFUSE TERMOFUSIBLE
L	RESISTENCIA DEGELO DEFROST HEATER RESISTANCE DEGIVRAGE RESISTENCIA DESHIELO

A	CORDAO DE ALIMENTACAO POWER CORD CABLE DE BRANCHEMENT CABLE DE ALIMENTACION
B	PROTECTOR TERMICO OVERLOAD PROTECTOR PROTECTEUR THERMIQUE PROTECTOR TERMICO
C	RELE RELAY RELAIS
D	COMPRESSOR COMPRESOR COMPRESSEUR
E	PTC
F	PLACA ELECTRONICA ELECTRONIC BOARD PLAQUE ELECTRONIQUE PLACA ELECTRONICA

NOMINAL RATED NOMINALE	MINIMO NINIMUM	MAXIMO MAXIMUM
127V	104V	140V
220V	198V	242V
220V/230V	198V	253V
220V/240V	198V	264V
230V (INDIA)	160V	260V



Nº	COR/COLOR/COULEUR
1	PRETO/BLACK/NOIR/NEGRO
2	VERMELHO/RED/ROUGE/ROJO
3	BRANCO/WHITE/BLANC/BLANCO
4	AMARELO/YELLOW/JAUNE/YAMARILLO
5	VERDE/GREEN/VERT/VERDE
6	MARROM/BROWN/MARRON
7	LARANJA/ORANGE/AMARANJADO
8	ROSA/PINK/ROSE/ROSADO
9	CINZA/GREY/GRIS
10	AZUL/BLUE/BLEU

326033468