

PART - GROUP CHANGE NOTIFICATION				Bulletin no	2013-K03	Date	01.09.2013
arçelik	Prepared by	Volkan ÇERKEZ		Signature		Rev : 00	
	Approved by	Banu Erdem ÇAKICI					
Copy to	THD		✓	KME - UPB		KME - MUT	
	KME - ArGe		✓	KME - MT		KME - KGB	✓
				KME - IGT		Other _____	

TECHNICAL EXPLANATION OF THE CHANGE

Issue Revision in Heater Cable Group

Explanation

Using New Cable Group (include cable cover for heater cable) instead of cable tie for fixing heater cable to dryer rear panel

Differences

- 1- Rear Panel Group (2973900100-2973900200-2973900300) : A hole that is on dryer rear panel for fixing heater cable with a cable tie is cancelled. A square hole added for cable cover assembling.
- 2- Main Cable Group (2971601500-2971601600-2971601700-2971601800-2971601900-2971602100-2971600800-2971600900-2971601000-2971601100-2971601300-2971601400-2980200100-2980200200-2980200400-2980200600-2980200700-2984100200-2984100400-2984100500) : Heater socket's design changed for assembling cable cover. And cable cover for heater cable added to main cable group assembly.

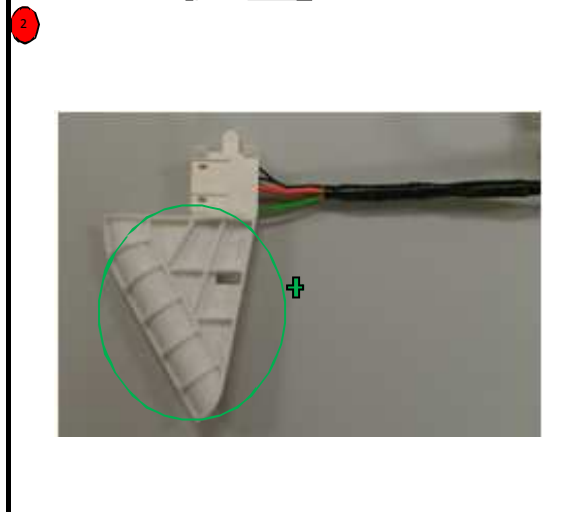
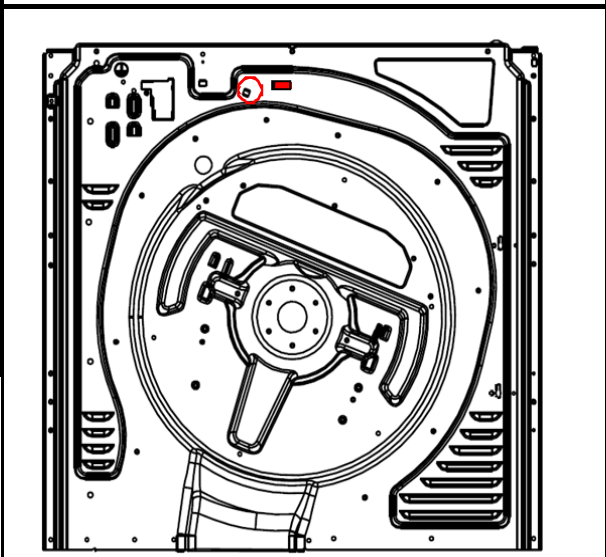
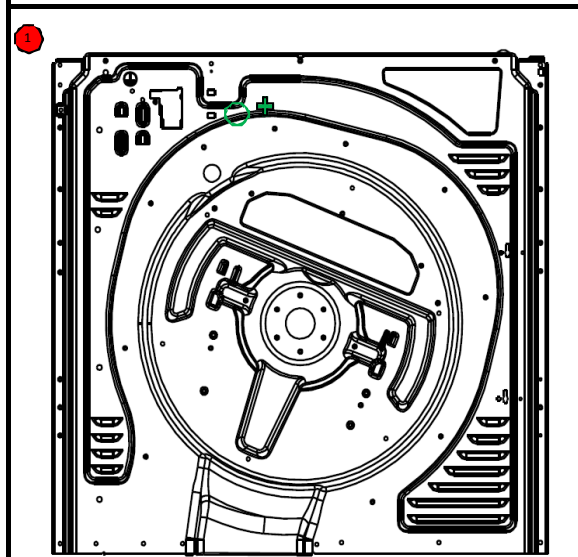
DON'T USE OLD DESIGN MAIN CABLE GROUP WITH NEW DESIGN REAR PANEL GROUP DEFINITELY. THERE MUST BE A FIXING POINT FOR HEATER CABLE TO REAR PANEL.

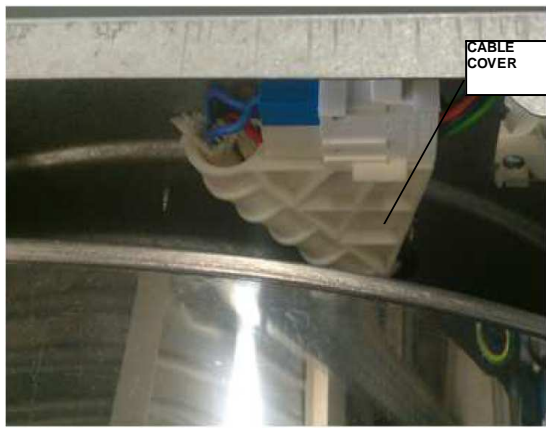
Dryers have old designed rear panel ;
 * If rear panel is changed with new designed rear panel ; main cable group must be changed. There must be cable cover on main cable group.
 * If main cable group is changed with new designed main cable group; Cable cover on main cable group must be disassembled and cable must be fixed with a cable tie to rear panel.

Dryers have new designed rear panel;
 * If rear panel is changed with new designed rear panel ; there is no problem about changing.
 * If main cable group is changed with new designed main cable group; there is no problem about changing.

NEW DESIGN

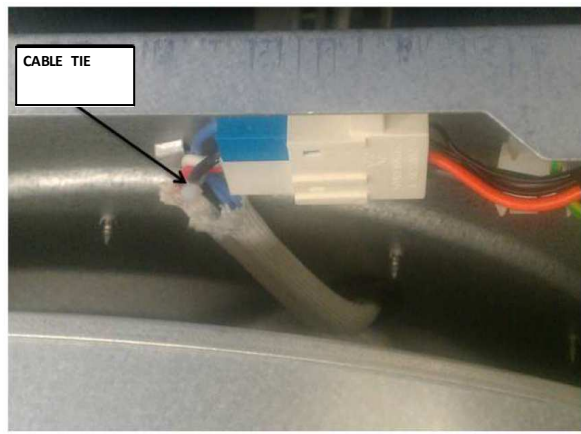
OLD DESIGN





CABLE COVER

NEW



CABLE TIE

OLD

NEW DESIGN MAINCABLE GROUP ASSEMBLY STEPS



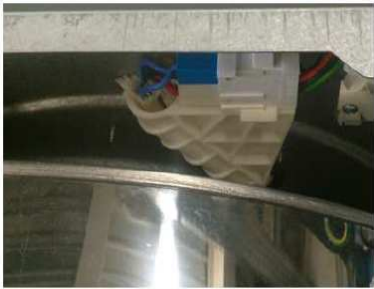
MAIN CABLE GROUP WITH CABLE COVER



HEATER CABLE - SOCKET CONNECTION



SOCKET- REAR PANEL ASSEMBLING



ASSEMBLED NEW DESIGN

INFORMATION ABOUT THE PART CHANGES

Ref	NEW PART				OLD PART				Code
	Part name	Stock number	Qty.		Part name	Stock number	Qty.		
1046	REAR PANEL GROUP	2973900100	1		MAIN CABLE GROUP	2973900100	1		B2
	REAR PANEL GROUP	2973900200	1		MAIN CABLE GROUP	2973900200	1		
	REAR PANEL GROUP	2973900300	1		MAIN CABLE GROUP	2973900300	1		
166	MAIN CABLE GROUP	2971601500	1		MAIN CABLE GROUP	2971601500	1		B2
	MAIN CABLE GROUP	2971601600	1		MAIN CABLE GROUP	2971601600	1		
	MAIN CABLE GROUP	2971601700	1		MAIN CABLE GROUP	2971601700	1		
	MAIN CABLE GROUP	2971601800	1		MAIN CABLE GROUP	2971601800	1		
	MAIN CABLE GROUP	2971601900	1		MAIN CABLE GROUP	2971601900	1		
	MAIN CABLE GROUP	2971602100	1		MAIN CABLE GROUP	2971602100	1		
	MAIN CABLE GROUP	2971600800	1		MAIN CABLE GROUP	2971600800	1		
	MAIN CABLE GROUP	2971600900	1		MAIN CABLE GROUP	2971600900	1		
	MAIN CABLE GROUP	2971601000	1		MAIN CABLE GROUP	2971601000	1		
	MAIN CABLE GROUP	2971601100	1		MAIN CABLE GROUP	2971601100	1		
	MAIN CABLE GROUP	2971601300	1		MAIN CABLE GROUP	2971601300	1		
	MAIN CABLE GROUP	2971601400	1		MAIN CABLE GROUP	2971601400	1		
	MAIN CABLE GROUP	2980200100	1		MAIN CABLE GROUP	2980200100	1		
	MAIN CABLE GROUP	2980200200	1		MAIN CABLE GROUP	2980200200	1		
	MAIN CABLE GROUP	2980200400	1		MAIN CABLE GROUP	2980200400	1		
	MAIN CABLE GROUP	2980200600	1		MAIN CABLE GROUP	2980200600	1		
MAIN CABLE GROUP	2980200700	1		MAIN CABLE GROUP	2980200700	1			
MAIN CABLE GROUP	2984100200	1		MAIN CABLE GROUP	2984100200	1			
MAIN CABLE GROUP	2984100400	1		MAIN CABLE GROUP	2984100400	1			
MAIN CABLE GROUP	2984100500	1		MAIN CABLE GROUP	2984100500	1			

CODE INFORMATION

A-Old stocks can be used. Old & new parts are fully interchangeable.

B-Old stocks can be used. Old parts are interchangeable with old productions & new parts are interchangeable with new productions.

C-Old stocks can not be used. New parts are interchangeable with old & new productions.

D-Old stocks can not be used. New parts are interchangeable with new productions.

E- Old stocks can be used. Old parts are interchangeable with old productions, New parts are interchangeable with old & new productions.

1=Reference 2=Production improvement 3=Store 4=Material change 5=Material change 6=Material change 7=Material change 8=Material change 9=Material change 10=Material change 11=Material change 12=Material change 13=Material change 14=Material change 15=Material change 16=Material change 17=Material change 18=Material change 19=Material change 20=Material change 21=Material change 22=Material change 23=Material change 24=Material change 25=Material change 26=Material change 27=Material change 28=Material change 29=Material change 30=Material change 31=Material change 32=Material change 33=Material change 34=Material change 35=Material change 36=Material change 37=Material change 38=Material change 39=Material change 40=Material change 41=Material change 42=Material change 43=Material change 44=Material change 45=Material change 46=Material change 47=Material change 48=Material change 49=Material change 50=Material change 51=Material change 52=Material change 53=Material change 54=Material change 55=Material change 56=Material change 57=Material change 58=Material change 59=Material change 60=Material change 61=Material change 62=Material change 63=Material change 64=Material change 65=Material change 66=Material change 67=Material change 68=Material change 69=Material change 70=Material change 71=Material change 72=Material change 73=Material change 74=Material change 75=Material change 76=Material change 77=Material change 78=Material change 79=Material change 80=Material change 81=Material change 82=Material change 83=Material change 84=Material change 85=Material change 86=Material change 87=Material change 88=Material change 89=Material change 90=Material change 91=Material change 92=Material change 93=Material change 94=Material change 95=Material change 96=Material change 97=Material change 98=Material change 99=Material change 100=Material change

INFORMATION ABOUT THE PRODUCT CHANGES						
Nu	Date	Stock Number	Model	Started from	Finished at	Signature
1	01.08.2013	7182481900	BEKO DCU7430X-EU B1 CNDU S U11	13-xxxxxx-08	xx-xxxxxx-xx	
2	01.08.2013	7182482000	BEKO DCU7430X-BEN B1 CNDU S U11	13-xxxxxx-08	xx-xxxxxx-xx	
3	01.08.2013	7182670100	ARCELIK 2792KT-TUR B1 CNDU S U11	13-xxxxxx-08	xx-xxxxxx-xx	
4	01.08.2013	7182670200	BEKO D79KT-TUR B1 CNDU S U11	13-xxxxxx-08	xx-xxxxxx-xx	
5	01.08.2013	7182681800	BEKO DCU 7430-EU B1 CNDU S U11	13-xxxxxx-08	xx-xxxxxx-xx	
6	01.08.2013	7182682200	BEKO DCU740030-BEN B1 CNDU S U11	13-xxxxxx-08	xx-xxxxxx-xx	
7	01.08.2013	7187681600	BEKO DC7430-BEN B1 CND S U11	13-xxxxxx-08	xx-xxxxxx-xx	
8	01.08.2013	7182682000	BEKO DCU7430-FRA B1 CNDU S U11	13-xxxxxx-08	xx-xxxxxx-xx	
9	01.08.2013	7188631700	BEKO DCU7430S-FRA G3 CNDU S U11	13-xxxxxx-08	xx-xxxxxx-xx	
10	01.08.2013	7187841400	BEKO DCU8430X-EU B1 CNDU S U11	13-xxxxxx-08	xx-xxxxxx-xx	
11	01.08.2013	7187841900	BEKO DCU8430X-FRA B1 CNDU S U11	13-xxxxxx-08	xx-xxxxxx-xx	
12	01.08.2013	7182482400	GRUNDIG 6TN371106-ALM B1 CNDU S A6-BT	13-xxxxxx-08	xx-xxxxxx-xx	
13	01.08.2013	7182582500	EUROMAID CD6K6-AVL B1 CND S PL1	13-xxxxxx-08	xx-xxxxxx-xx	
14	01.08.2013	7182541200	BEKO DC7230S-FRA G3 CND S B10	13-xxxxxx-08	xx-xxxxxx-xx	
15	01.08.2013	7182541300	BEKO DC7230B-FRA A1 CND S B10	13-xxxxxx-08	xx-xxxxxx-xx	
16	01.08.2013	7182581800	BEKO DC7130-ALM B1 CND S B10	13-211682-08	xx-xxxxxx-xx	
17	01.08.2013	7182582200	BEKO DC7130-GUL B1 CND S B10	13-xxxxxx-08	xx-xxxxxx-xx	
18	01.08.2013	7187681500	BEKO DC713-FRA B1 CND S B10	13-xxxxxx-08	xx-xxxxxx-xx	
19	01.08.2013	7187681700	COLDIS COSL7C2B-FRA B1 CND S PL2A	13-200485-08	xx-xxxxxx-xx	
20	01.08.2013	7186281300	BEKO DC7110-EU B1 CND B B10	13-xxxxxx-08	xx-xxxxxx-xx	
21	01.08.2013	7186281400	BEKO DC7110-GUL B1 CND B B10	13-xxxxxx-08	xx-xxxxxx-xx	
22	01.08.2013	7186281500	BEKO DC7110W-ING B1 CND B B10	13-xxxxxx-08	xx-xxxxxx-xx	
23	01.08.2013	7186281600	BEKO DC7110-BEN B1 CND B B10	13-xxxxxx-08	xx-xxxxxx-xx	
24	01.08.2013	7186281700	BEKO DC7110-ISR B1 CND B B10	13-xxxxxx-08	xx-xxxxxx-xx	
25	01.08.2013	7186281800	ARCELIK KTC2770-POO B1 CND B PL1A	13-xxxxxx-08	xx-xxxxxx-xx	
26	01.08.2013	7189041600	BEKO DCU823-FRA B1 CNDU S B10	13-xxxxxx-08	xx-xxxxxx-xx	
27	01.08.2013	7189041800	C.EDISON CESLCE8-FRA CNDU S PL1A	13-xxxxxx-08	xx-xxxxxx-xx	
28	01.08.2013	7187831500	BEKO DCU930-FRA B1 CNDU S B10	13-xxxxxx-08	xx-xxxxxx-xx	
29	01.08.2013	7187731100	BEKO DCU8332X-BEN B1 CNDU S B10	13-xxxxxx-08	xx-xxxxxx-xx	
30	01.08.2013	7187731200	BLOMBERG TKF8461AGC-EU B1 CNDU S AB10	13-xxxxxx-08	xx-xxxxxx-xx	
31	01.08.2013	7187741100	BEKO DCU8332B-EU S1 CNDU S B10	13-xxxxxx-08	xx-xxxxxx-xx	
32	01.08.2013	7187741200	BEKO DCU8332XRC-EU BR1 CNDU S B10	13-xxxxxx-08	xx-xxxxxx-xx	
33	01.08.2013	7187770100	ARCELIK 2781KTS-TUR G5 CNDU S AB09	13-xxxxxx-08	xx-xxxxxx-xx	
34	01.08.2013	7187781100	BLOMBERG TKF8439S-EU G5 CNDU SENS AB09	13-xxxxxx-08	xx-xxxxxx-xx	
35	01.08.2013	7187781200	BEKO DCU9330XS-FRA G3 CNDU S B10	13-xxxxxx-08	xx-xxxxxx-xx	
36	01.08.2013	7187781300	BLOMBERG TKF8431S-EU G5 CNDU SENS AB10	13-xxxxxx-08	xx-xxxxxx-xx	
37	01.08.2013	7187781400	BLOMBERG TKF8431Z-EU S1 CNDU SENS AB10	13-xxxxxx-08	xx-xxxxxx-xx	
38	01.08.2013	7187781600	BEKO DCU9330XS-PAL G3 CNDU S B10	13-xxxxxx-08	xx-xxxxxx-xx	
39	01.08.2013	7187781700	BEKO DCU9330XB-PAL S1 CNDU S B10	13-xxxxxx-08	xx-xxxxxx-xx	

40	01.08.2013	7187831100	BEKO DCU8330-EU B1 CNDU S B10	13-xxxxxx-08	xx-xxxxxx-xx
41	01.08.2013	7187831200	BEKO DCU9330-EU B1 CNDU S B10	13-xxxxxx-08	xx-xxxxxx-xx
42	01.08.2013	7187831300	BEKO DCU9330W-ING B1 CNDU S B10	13-xxxxxx-08	xx-xxxxxx-xx
43	01.08.2013	7187841100	BEKO DCU8330X-FRA B1 CNDU S B10	13-xxxxxx-08	xx-xxxxxx-xx
44	01.08.2013	7187841200	BEKO DCU9330X-FRA B1 CNDU S B10	13-xxxxxx-08	xx-xxxxxx-xx
45	01.08.2013	7187841300	BEKO DCU8330GX-AVL B1 CNDU S B10	13-xxxxxx-08	xx-xxxxxx-xx
46	01.08.2013	7187841310	SMEG SACD8-AVL B1 CNDU S AB10	13-xxxxxx-08	xx-xxxxxx-xx
47	01.08.2013	7187841500	BEKO DCU9330X-ISR B1 CNDU S B10	13-xxxxxx-08	xx-xxxxxx-xx
48	01.08.2013	7187841600	BEKO DCU9330X-PAL B1 CNDU S B10	13-xxxxxx-08	xx-xxxxxx-xx
49	01.08.2013	7187842100	DEXON DFL-DAK8W-KUV B1 CNDU S PL1A	13-xxxxxx-08	xx-xxxxxx-xx
50	01.08.2013	7187870100	ARCELIT 2781KT-TUR B1 CNDU S AB09	13-xxxxxx-08	xx-xxxxxx-xx
51	01.08.2013	7187870200	BEKO D80EK-TUR B1 CNDU S B10	13-xxxxxx-08	xx-xxxxxx-xx
52	01.08.2013	7187881100	BLOMBERG TKF8439A-EU B1 CNDU S AB09	13-xxxxxx-08	xx-xxxxxx-xx
53	01.08.2013	7187881200	BLOMBERG TKF8439-ALM B1 CNDU S AB10	13-xxxxxx-08	xx-xxxxxx-xx
54	01.08.2013	7187881300	BLOMBERG TKF8439A-BEN B1 CNDU S AB09	13-xxxxxx-08	xx-xxxxxx-xx
55	01.08.2013	7187881500	BLOMBERG TKF8439A-ING B1 CNDU S AB09	13-xxxxxx-08	xx-xxxxxx-xx
56	01.08.2013	7187881600	GRUNDIG 6TK 4839-ALM B1 CNDU S AB09	13-xxxxxx-08	xx-xxxxxx-xx
57	01.08.2013	7187881700	BLOMBERG TKF8439A-ISO B1 CNDU S AB09	13-xxxxxx-08	xx-xxxxxx-xx
58	01.08.2013	7187881800	BLOMBERG TKF8439A-CIN B1 CNDU S AB09	13-xxxxxx-08	xx-xxxxxx-xx
59	01.08.2013	7187881900	BLOMBERG TKF8439A-ISR B1 CNDU S AB09	13-xxxxxx-08	xx-xxxxxx-xx
60	01.08.2013	7187882100	BLOMBERG TKF8431A-EU B1 CNDU S AB10	13-xxxxxx-08	xx-xxxxxx-xx
61	01.08.2013	7187882200	CYLINDA TK320-ISC B1 CNDU S PL1A	13-xxxxxx-08	xx-xxxxxx-xx
62	01.08.2013	7187882210	CYLINDA TK320E-ISC B1 CNDU S PL1A	13-xxxxxx-08	xx-xxxxxx-xx
63	01.08.2013	7187882300	ESSENTIELB ESLC8D2-FRA B1 CNDU S AB09	13-xxxxxx-08	xx-xxxxxx-xx
64	01.08.2013	7187882400	BLOMBERG TKF8431A-PAL B1 CNDU S AB10	13-xxxxxx-08	xx-xxxxxx-xx
65	01.08.2013	7187882500	BLOMBERG TKF8431A-ISR B1 CNDU S AB10	13-xxxxxx-08	xx-xxxxxx-xx
66	01.08.2013	7187882600	BLOMBERG TKF9431A-ISR B1 CNDU S AB10	13-xxxxxx-08	xx-xxxxxx-xx
67	01.08.2013	7187882700	BLOMBERG TKF9431A-EU B1 CNDU S AB10	13-xxxxxx-08	xx-xxxxxx-xx
68	01.08.2013	7187882800	BLOMBERG TKF8431G-ALM B1 CNDU S AB10	13-xxxxxx-08	xx-xxxxxx-xx
69	01.08.2013	7187882900	BLOMBERG TKF9431A-PAL B1 CNDU S AB10	13-xxxxxx-08	xx-xxxxxx-xx
70	01.08.2013	7187941100	BEKO DCU9330R-ING BR1 CNDU S B10	13-xxxxxx-08	xx-xxxxxx-xx
71	01.08.2013	7187882000	GRUNDIG 6TK 4831-ALM B1 CNDU S AB10	13-xxxxxx-08	xx-xxxxxx-xx
72	01.08.2013	7187781500	CYLINDA TK3105V-ISC S2 CNDU S PL1A	13-xxxxxx-08	xx-xxxxxx-xx
73	01.08.2013	7188631600	BEFY DTD313-MEA G3 CNDU S B10	13-xxxxxx-08	xx-xxxxxx-xx
74	01.08.2013	7189031100	BEKO DCU8230X-FRA G3 CNDU S B10	13-xxxxxx-08	xx-xxxxxx-xx
75	01.08.2013	7189041100	BEKO DCU8230-EU B1 CNDU S B10	13-xxxxxx-08	xx-xxxxxx-xx
76	01.08.2013	7189041200	BEKO DCU8230-ING B1 CNDU S B10	13-xxxxxx-08	xx-xxxxxx-xx
77	01.08.2013	7189041400	BEKO DSC85W-ING B1 CNDU S PL1A	13-xxxxxx-08	xx-xxxxxx-xx
78	01.08.2013	7189081100	BLOMBERG TKF8239-EU B1 CNDU S AB09	13-xxxxxx-08	xx-xxxxxx-xx
79	01.08.2013	7189081200	E.BREGENZ TKF8310-AVS B1 CNDU S AB09	13-xxxxxx-08	xx-xxxxxx-xx

80	01.08.2013	7189081300	BLOMBERG TKF8239-ALM B1 CNDU S AB10	13-xxxxxx-08	xx-xxxxxx-xx
81	01.08.2013	7189081400	BEKO DCU8230X-FRA B1 CNDU S B10	13-xxxxxx-08	xx-xxxxxx-xx
82	01.08.2013	7189081500	BLOMBERG TKF8231-EU B1 CNDU S AB10	13-xxxxxx-08	xx-xxxxxx-xx
83	01.08.2013	7189081600	CYLINDA TK310-ISC B1 CNDU S PL1A	13-xxxxxx-08	xx-xxxxxx-xx
84	01.08.2013	7182381300	BEKO DCU7330X-BEN B1 CNDU S B10	13-xxxxxx-08	xx-xxxxxx-xx
85	01.08.2013	7182381400	BLOMBERG TKF7439A-EU B1 CNDU SENS AB09	13-xxxxxx-08	xx-xxxxxx-xx
86	01.08.2013	7182381500	BLOMBERG TKF7439-ALM B1 CNDU SENS AB10	13-xxxxxx-08	xx-xxxxxx-xx
87	01.08.2013	7182381800	BLOMBERG TKF7431A-EU B1 CNDU SENS AB10	13-xxxxxx-08	xx-xxxxxx-xx
88	01.08.2013	7182381900	BEKO DCU7330X-AVL B1 CNDU S B10	13-xxxxxx-08	xx-xxxxxx-xx
89	01.08.2013	7182382000	E.BREGENZ TKF7312A-AVS B1 CNDU S AB10	13-xxxxxx-08	xx-xxxxxx-xx
90	01.08.2013	7182382100	BLOMBERG TKF7431A-BEN B1 CNDU S AB10	13-xxxxxx-08	xx-xxxxxx-xx
91	01.08.2013	7182382300	SMEG SACD7-AVL B1 CNDU S AB10	13-xxxxxx-08	xx-xxxxxx-xx
92	01.08.2013	7182382500	SMEG DR72IN-ITA B1 CNDU S PL1A	13-xxxxxx-08	xx-xxxxxx-xx
93	01.08.2013	7185531100	BLOMBERG TKF7439S-EU G5 CNDU SENS AB09	13-xxxxxx-08	xx-xxxxxx-xx
94	01.08.2013	7185531200	BEKO DCU7330XS-BEN G3 CNDU S B10	13-xxxxxx-08	xx-xxxxxx-xx
95	01.08.2013	7185531300	BLOMBERG TKF7431S-EU G3 CNDU SENS AB10	13-xxxxxx-08	xx-xxxxxx-xx
96	01.08.2013	7185531400	BEKO DCU7330BLEU-FRA B1 CNDU S B10	13-xxxxxx-08	xx-xxxxxx-xx
97	01.08.2013	7185531500	BEKO DCU7330NOIR-FRA S1 CNDU S B10	13-xxxxxx-08	xx-xxxxxx-xx
98	01.08.2013	7185531600	BEKO DCU7330ROUGE-FRA B1 CNDU S B10	13-xxxxxx-08	xx-xxxxxx-xx
99	01.08.2013	7185531700	BEKO DCU7330XB-BEN S1 CNDU S B10	13-xxxxxx-08	xx-xxxxxx-xx
100	01.08.2013	7187981200	BEKO DCU 7330-EU B1 CNDU S B10	13-xxxxxx-08	xx-xxxxxx-xx
101	01.08.2013	7187981300	BEKO DCU 7330-ALM B1 CNDU S B10	13-xxxxxx-08	xx-xxxxxx-xx
102	01.08.2013	7187981400	BEKO DCU 7332C-RUS B1 CNDU S B10	13-xxxxxx-08	xx-xxxxxx-xx
103	01.08.2013	7187981500	BEKO DC7041W-ING B1 CNDU S B10	13-xxxxxx-08	xx-xxxxxx-xx
104	01.08.2013	7187981600	PHILCO PCD7H-HON B1 CNDU S PL1A	13-xxxxxx-08	xx-xxxxxx-xx
105	01.08.2013	7182481300	BEKO DCU7230X-FRA B1 CNDU S B10	13-xxxxxx-08	xx-xxxxxx-xx
106	01.08.2013	7182481500	BEKO DCU7230X-BEN B1 CNDU S B10	13-xxxxxx-08	xx-xxxxxx-xx
107	01.08.2013	7182481600	BLOMBERG TKF7231-EU B1 CNDU SENS AB10	13-xxxxxx-08	xx-xxxxxx-xx
108	01.08.2013	7182481700	CYLINDA TK300-ISC B1 CNDU S PL1A	13-xxxxxx-08	xx-xxxxxx-xx
109	01.08.2013	7182482200	E.BREGENZ TKF7310-AVS B1 CNDU S AB10	13-xxxxxx-08	xx-xxxxxx-xx
110	01.08.2013	7182482300	CYLINDA TK300-ISC B1 CNDU S PL1A	13-xxxxxx-08	xx-xxxxxx-xx
111	01.08.2013	7182681200	BEKO DCU 7230-EU B1 CNDU S B10	13-xxxxxx-08	xx-xxxxxx-xx
112	01.08.2013	7182681400	BEKO DCU 7230-ALM B1 CNDU S B10	13-xxxxxx-08	xx-xxxxxx-xx
113	01.08.2013	7182681500	BEKO DCU7230W-ING B1 CNDU S B10	13-xxxxxx-08	xx-xxxxxx-xx
114	01.08.2013	7182681600	BEKO DCU 7230-RUS B1 CNDU S B10	13-xxxxxx-08	xx-xxxxxx-xx
115	01.08.2013	7182681700	BEKO DCU7230EJ150-ALM B1 CNDU S B10	13-xxxxxx-08	xx-xxxxxx-xx
116	01.08.2013	7182681900	SMEG ASC71S-ITA B1 CNDU S PL1	13-xxxxxx-08	xx-xxxxxx-xx
117	01.08.2013	7182682100	WASCO DC16K-DAN B1 CNDU S PL1	13-xxxxxx-08	xx-xxxxxx-xx
118	01.08.2013	7182682300	BEKO DCU720030-BEN B1 CNDU S B10	13-xxxxxx-08	xx-xxxxxx-xx
119	01.08.2013	7183281800	BEKO BSC64W-ING B1 CNDU S PL1A	13-xxxxxx-08	xx-xxxxxx-xx

120	01.08.2013	7184081300	BEKO D5C645-ING 63 CNDU S PL1A	13-xxxxxx-08	xx-xxxxxx-xx
121	01.08.2013	7188081300	BEKO DCU6130W-ING B1 CNDU S B10	13-xxxxxx-08	xx-xxxxxx-xx
122	01.08.2013	7188631100	BEKO DCU7230S-EU 63 CNDU S B10	13-xxxxxx-08	xx-xxxxxx-xx
123	01.08.2013	7188631200	BEKO DCU7230S-ING 63 CNDU S B10	13-xxxxxx-08	xx-xxxxxx-xx
124	01.08.2013	7188631300	BEKO DCU7230B-ING S1 CNDU S B10	13-xxxxxx-08	xx-xxxxxx-xx
125	01.08.2013	7188631400	BEKO DCU6130B-ING S1 CNDU S B10	13-xxxxxx-08	xx-xxxxxx-xx
126	01.08.2013	7188631500	BEKO DCU6130S-ING 63 CNDU S B10	13-xxxxxx-08	xx-xxxxxx-xx
127	01.08.2013	7189482500	OCEANIA COND700-ASIA B1 CNDU S PL1A	13-xxxxxx-08	xx-xxxxxx-xx
128	01.08.2013	7182510100	ARCELIK 2772KTS-TUR 63 CND S AB10	13-xxxxxx-08	xx-xxxxxx-xx
129	01.08.2013	7182510200	BEKO D570KT-TUR 63 CND S B10	13-xxxxxx-08	xx-xxxxxx-xx
130	01.08.2013	7182520200	BEKO D70KT-TUR B1 CND S B10	13-xxxxxx-08	xx-xxxxxx-xx
131	01.08.2013	7182541100	BEKO DC7130S-FRA 63 CND S B10	13-xxxxxx-08	xx-xxxxxx-xx
132	01.08.2013	7182570100	ARCELIK 2770KTY-TUR B1 CND SENS AB09	13-xxxxxx-08	xx-xxxxxx-xx
133	01.08.2013	7182570200	BEKO D1 70 K-TUR B1 CND S B10	13-xxxxxx-08	xx-xxxxxx-xx
134	01.08.2013	7182581400	BEKO DC7130-EU B1 CND S B10	13-xxxxxx-08	xx-xxxxxx-xx
135	01.08.2013	7182581500	BEKO DC7130-FRA B1 CND S B10	13-xxxxxx-08	xx-xxxxxx-xx
136	01.08.2013	7182582400	TEKA TKS3690C-ISP B1 CND S PL2H	13-xxxxxx-08	xx-xxxxxx-xx
137	01.08.2013	7185381300	BEKO DC7120-CIN B1 CND S B10	13-xxxxxx-08	xx-xxxxxx-xx
138	01.08.2013	7186020100	ARCELIK 2772KT-TUR B1 CND SENS AB10	13-xxxxxx-08	xx-xxxxxx-xx
139	01.08.2013	7187641100	BEKO DC7230XS-BEN 63 CND S B10	13-xxxxxx-08	xx-xxxxxx-xx
140	01.08.2013	7187681200	BEKO DC7230-BEN B1 CND S B10	13-xxxxxx-08	xx-xxxxxx-xx
141	01.08.2013	7187681300	BEKO DC7230-FRA B1 CND S B10	13-xxxxxx-08	xx-xxxxxx-xx
142	01.08.2013	7187681400	BEKO DC72301-BEN B1 CND S B10	13-xxxxxx-08	xx-xxxxxx-xx
143	01.08.2013	7188081500	C.EDISON CESLCE7B-FRA S2 CNDU S PL1A	13-xxxxxx-08	xx-xxxxxx-xx
144	01.08.2013	7188081600	C.EDISON CESLCE7-FRA B1 CNDU S PL1A	13-xxxxxx-08	xx-xxxxxx-xx
145	01.08.2013	7188081700	DEXON DFL-DAK75Q-KUV B1 CNDU S PL1	13-xxxxxx-08	xx-xxxxxx-xx
146	01.08.2013	7188081800	SAIVOD STE73C-ISP B1 CNDU S PL1A	13-xxxxxx-08	xx-xxxxxx-xx