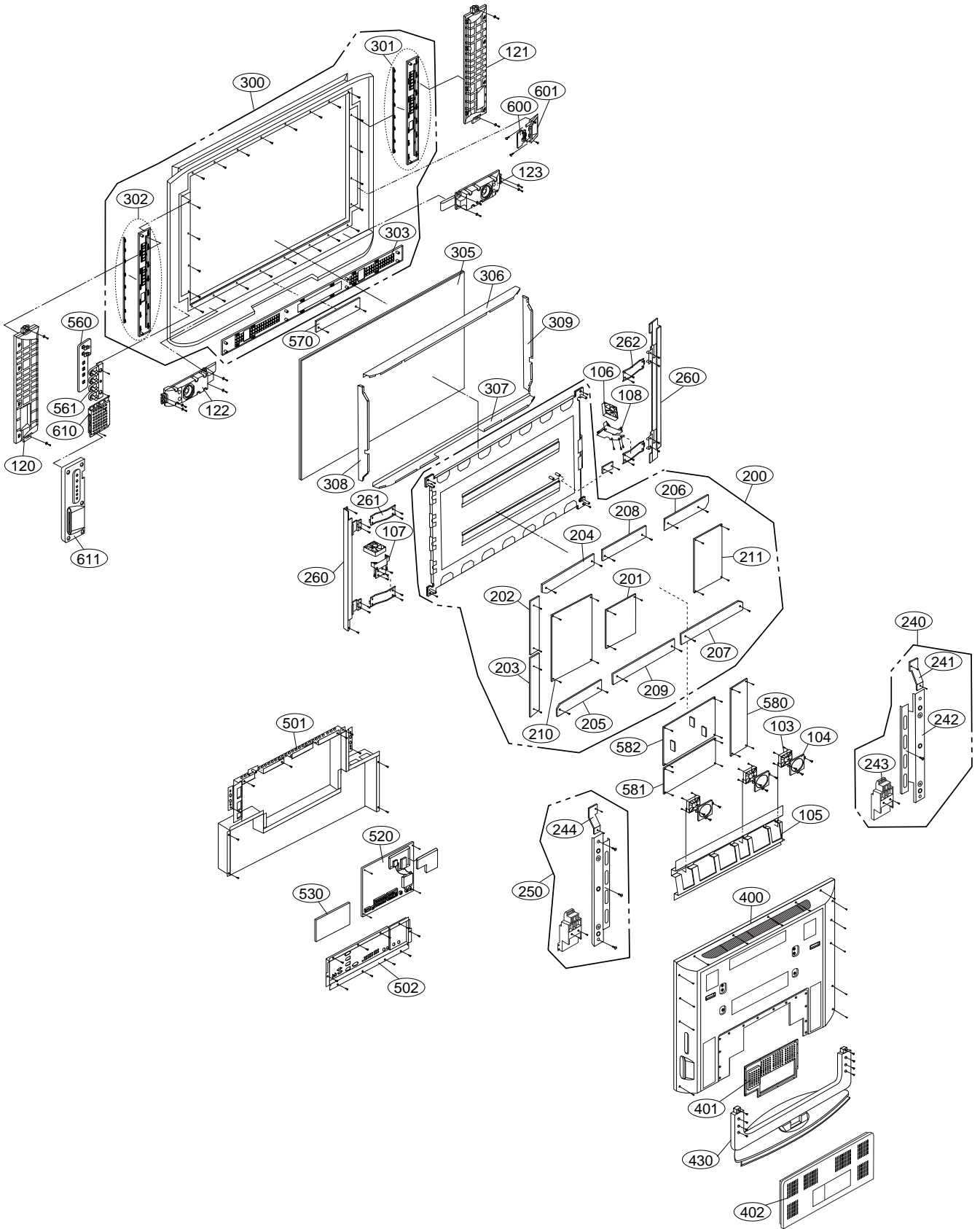


# EXPLODED VIEW



# EXPLODED VIEW PARTS LIST

No.	Part No.	DESCRIPTIONS
103	5900V08004A	FAN, F8025L12B2-RG DONG YANG 80MM 12V 120MA 2300RPM 79G L 300MM
104	4980V00A48B	SUPPORTER, FAN EGI PRESS DU-60PY10
105	4980V00C98B	SUPPORTER, FAN AL FOR 60PY20 .
106	5900V06008B	FAN, G6015S12B2-RG DONGYANG 60*60*15 7V 1900RPM 6/12V L=500MM
107	4980V00E64A	SUPPORTER, FAN EGI FOR 60PY2DR
108	4980V00E66A	SUPPORTER, FAN SECC(EGI) 60PY2DR
120	6401VD0026A/D	SPEAKER ASSEMBLY, FULL RANGE(R) TN-50PY20
121	6401VD0026B/C	SPEAKER ASSEMBLY, FULL RANGE(L) TN-50PY20
122	6401VD0030A/D	SPEAKER ASSEMBLY, WOOFER(R) 60PY20
123	6401VD0030B/C	SPEAKER ASSEMBLY, WOOFER(L) 60PY20
200	6348Q-B040A	PDP, 60" 1365*768 PDP60X60000.AKLG
	6348Q-B041Q	PDP, 60" 1365*768 PDP60X60000.ADLGB
201	6871QCH080A	PWB(PCB) ASSEMBLY,DISPLAY CTRL ASSY HAND INSERT 60" X6 4024 6 LAYER
202	6871QDH123A	PWB(PCB) ASSEMBLY,DISPLAY YDRV ASSY HAND INSERT 60" X6 MOLEX
203	6871QDH124A	PWB(PCB) ASSEMBLY,DISPLAY YDRV ASSY HAND INSERT 60" X6 BOTTOM MOLEX
204	6871QLH053A	PWB(PCB) ASSEMBLY,DISPLAY XRLT ASSY HAND INSERT 60" X6 TCP 4024 LVDS LEFT TOP
205	6871QLH054A	PWB(PCB) ASSEMBLY,DISPLAY XRLT ASSY HAND INSERT 60" X6 TCP 4024 LVDS LEFT BOTTOM
206	6871QRH062A	PWB(PCB) ASSEMBLY,DISPLAY XRRT ASSY HAND INSERT 60" X6 TCP 4024 LVDS RIGHT TOP
207	6871QRH063A	PWB(PCB) ASSEMBLY,DISPLAY XRRT ASSY HAND INSERT 60" X6 TCP 4024 LVSD RIGHT BOTTOM
208	6871QXH031A	PWB(PCB) ASSEMBLY,DISPLAY XRCT ASSY HAND INSERT 60" X6 TCP 4024 LVDS CENTER TOP
209	6871QXH032A	PWB(PCB) ASSEMBLY,DISPLAY XRCT ASSY HAND INSERT 60" X6 TCP 4024 LVDS CENTER BOTTOM
210	6871QYH057A	PWB(PCB) ASSEMBLY,DISPLAY YSUS ASSY HAND INSERT 60" X6 4LAYER
211	6871QZH060A	PWB(PCB) ASSEMBLY,DISPLAY ZSUS ASSY HAND INSERT 60" 60X6 4LAYER
240	4980V00C96B/F	SUPPORTER, MODULE AL LEFT 60PY20
241	4980V00E22B	SUPPORTER, MODULE EGI FOR 60PY20(RIGHT)
242	4980V00A40D/E	SUPPORTER, MODULE EGI VERTICAL
243	4980V00A45A	SUPPORTER ,MODULE AL STAND DU-60PY10
244	4980V00E22A	SUPPORTER, MODULE EGI FOR 60PY20
250	4980V00C96A/E	SUPPORTER, MODULE AL RIGHT 60PY20
260	4980V00D91A/B	SUPPORTER, SIDE EGI MODULE/R
261	4980V00E25A/C	SUPPORTER, MODULE EGI SUPP. SIDE CONNECTION
262	4980V00E25B/D	SUPPORTER, MODULE EGI SUPP. SIDE CONNECTION BOTT
300	3091V00753D	CABINET ASSEMBLY, RT-60PY21 STEREO E_PHONE MF056B NON
301	4811V00181B	BRACKET ASSEMBLY, SPEAKER 60PY20. AF04HA LEFT
302	4811V00181A	BRACKET ASSEMBLY, SPEAKER 60PY20 AF04HA RIGHT
303	4811V00183A	BRACKET ASSEMBLY, WOOFER 60PY20 AF04HA FRONT
305	5230V00018A	FILTER(MECH), MN-60PZ90V LGM60-01 MITSUI 60" CLASS B GLASS FILTER
306	4980V01164B/C	SUPPORTER, FILTER AL TOP FOR 60PY20 PRESS
307	4980V01165B/C	SUPPORTER, FILTER AL BOTT. FOR 60PY20 PRESS
308	4980V01166B/C	SUPPORTER, FILTER AL FOR 60PY20 RIGHT
309	4980V01167B/C	SUPPORTER, FILTER AL FOR 60PY20 LEFT
400	3809V00526G/H	BACK COVER ASSEMBLY, 60PY2R-TB
401	3300V00456B	PLATE, B/COVER AL 612X294 PRESS
402	3301V00059A/B	PLATE ASSEMBLY, B/COVER 3300V00463 60PY20
430	3501V00223A/B	BOARD ASSEMBLY, STAND 60PY20 AF05GA
501	3301V00061E	PLATE ASSEMBLY, ASSY 3300V00455 VSC TUNER ASSY RT-60PY21
502	3301V00060F	PLATE ASSEMBLY, B/COVER 3300V00456 FOR RZ-60PY21 PRESS.
520	68719MM991B	PWB(PCB) ASSEMBLY,MAIN M.I MF056B 60PY2R-ZB H2 .
	68719MM991C	PWB(PCB) ASSEMBLY,MAIN M.I MF056B 60PY2R-ZB H2 FOR ISRAEL
530	6871VSMS60A	PWB(PCB) ASSEMBLY,SUB A/V MF056B HURRICANE2 AUDIO ASSAY
560	6871VSMS62A	PWB(PCB) ASSEMBLY,SUB CONT MF056B HURRICANE2 RT-60PY21 CONTROL
561	5020V01021A	BUTTON, CONTROL TN-50PY20 ABS, AF-303S 7KEY
570	6871VSMQ68A/B	PWB(PCB) ASSEMBLY,SUB LED AF05FA MAMUAL TU-50PY22
580	6709V00007A	POWER SUPPLY ASSEMBLY, PDP 60INCH AF05GA 780W 1H258WI SANKEN 60 INCH PFC PSU
581	6709V00008A	POWER SUPPLY ASSEMBLY, PDP 60INCH AF05GA 780W 1H258WI SANKEN 60INCH MAIN PSU
582	6709V00009B	POWER SUPPLY ASSEMBLY, PDP 60INCH AF05GA 780W 1H258WI SANKEN 60INCH ACIN PSU(WAFER)
600	68719SMH45A	PWB(PCB) ASSEMBLY,SUB M.I MF056B 50/60PY SIDE A/V FOR DMS
601	4811V00177G/H	BRACKET ASSEMBLY, COVER SIDE AV,50PY2R-ZB MF056B
610	3141VSNF61A	CHASSIS ASSEMBLY, SUB MF056B RT-60PY21 EPF MAIN
611	4811V00176E/F	BRACKET ASSEMBLY, COVER EPF&BUTTON,50PY21 MF056B

## REPLACEMENT PARTS LIST

LOCA. NO	PART NO	DESCRIPTION	LOCA. NO	PART NO	DESCRIPTION
<b>IC</b>					
IC100	0ILNR00015A	NSP-2100A,LF NEOFIDELITY TQFP 64P	IC1203	0TR830009BA	BSS83 TP PHILIPS N-CHANNEL S/W TR
IC1000	0IPRPML001A	MIC39100 MICREL 3P SOT223 R/TP	IC200	0TR830009BA	BSS83 TP PHILIPS N-CHANNEL S/W TR
IC1001	0IMCRRH001A	BA033FP-E2 ROHM 3P-SOP,TO252-3	IC201	0TR830009BA	BSS83 TP PHILIPS N-CHANNEL S/W TR
IC1002	0IMCRFA010A	KA7809R, FAIRCHILD 2P D-PAK, R/TP	IC503	0TR830009BA	BSS83 TP PHILIPS N-CHANNEL S/W TR
IC1003	0IPMG00027A	SC156515M-1.8TR SEMTECH 5P/TO-263-5	IC503	0TRON80020A	NUS2401SNT1G,PNP/NPN DIGITAL TR
IC1004	0IMCRRH001A	BA033FP-E2 ROHM 3P-SOP,TO252-3	IC504	0TR830009BA	BSS83 TP PHILIPS N-CHANNEL S/W TR
IC1005	0IMCRRH001A	BA033FP-E2 ROHM 3P-SOP,TO252-3	IC803	0TR830009BA	BSS83 TP PHILIPS N-CHANNEL S/W TR
IC101	0IMCRTI028C	TAS5122DCARG4,LF TEXAS INSTRUMENT	IC804	0TR830009BA	BSS83 TP PHILIPS N-CHANNEL S/W TR
IC101	0IPRPAL005A	AT76C120H-MU1-ZJ208,PB FREE ATMEL	Q100	0TR387500AA	CHIP 2SC3875S(ALY) BK KEC
IC103	0IMCRTI028C	TAS5122DCARG4,LF TEXAS INSTRUMENT	Q1000	0TR387500AA	CHIP 2SC3875S(ALY) BK KEC
IC1100	0IMCRRH001A	BA033FP-E2 ROHM 3P-SOP,TO252-3	Q1001	0TR387500AA	CHIP 2SC3875S(ALY) BK KEC
IC1101	0IPRPML001A	MIC39100 MICREL 3P SOT223 R/TP	Q1002	0TR387500AA	CHIP 2SC3875S(ALY) BK KEC
IC1102	0IPMG00027A	SC156515M-1.8TR SEMTECH 5P/TO-263-5	Q1003	0TR387500AA	CHIP 2SC3875S(ALY) BK KEC
IC1103	0IPMGKE030A	KIA78R05F KEC 5PIN DPAK R/TP 1A,5V	Q1004	0TR387500AA	CHIP 2SC3875S(ALY) BK KEC
IC1104	0IPMG00027A	SC156515M-1.8TR SEMTECH 5P/TO-263-5	Q101	0TR387500AA	CHIP 2SC3875S(ALY) BK KEC
IC1105	0IPRPML001A	MIC39100 MICREL 3P SOT223 R/TP	Q102	0TR102008AA	KRA102S R/TP KEC SOT23 CHIP TR
IC1200	0IPRPS5005A	SII9011CLU(PB FREE) SILICON IMAGE 128P	Q103	0TR387500AA	CHIP 2SC3875S(ALY) BK KEC
IC1201	0IMMR00018A	24LC02BT-I/SNG(PB FREE) MICRO CHIP	Q104	0TR387500AA	CHIP 2SC3875S(ALY) BK KEC
IC1300	0IMCRTH003B	THC63LVD104A,PB FREE(F) 64P TQFP	Q1200	0TR387500AA	CHIP 2SC3875S(ALY) BK KEC
IC202	0IMMRHY038E	HY57V561620CTP-H,LF HYNIX 54PIN,TSOP	Q200	0TR150400BA	CHIP 2SA1504S(ASY) BK KEC
IC202	0IPMGON013B	MC34063ADR2G ON SEMI SO-8P R/TP	Q201	0TR387500AA	CHIP 2SC3875S(ALY) BK KEC
IC300	0ISO206900A	CXA2069Q QFP64 BK I2C BUS AV S/W	Q202	0TR387500AA	CHIP 2SC3875S(ALY) BK KEC
IC301	0ISA721700C	LA7217M MFP14 TP SYNC SEPARATOR	Q203	0TR150400BA	CHIP 2SA1504S(ASY) BK KEC
IC301	0ISTL00002A	SN74CBLV3257DGVR 16P,TVSOP	Q204	0TR150400BA	CHIP 2SA1504S(ASY) BK KEC
IC302	0ISTL00002A	SN74CBLV3257DGVR 16P,TVSOP	Q205	0TR387500AA	CHIP 2SC3875S(ALY) BK KEC
IC303	0ISTL00002A	SN74CBLV3257DGVR 16P,TVSOP	Q206	0TR150400BA	CHIP 2SA1504S(ASY) BK KEC
IC400	0IMCRMN028B	MSP4410K MICRONAS 80P/PQFP	Q207	0TR150400BA	CHIP 2SA1504S(ASY) BK KEC
IC401	0IMCRAT005A	EPM3128ATC100-10 ALTERA 100P,QFP	Q209	0TR387500AA	CHIP 2SC3875S(ALY) BK KEC
IC401	0IPH741400E	74HC14D 14SOP TP SHITTER TRIGGER	Q210	0TR387500AA	CHIP 2SC3875S(ALY) BK KEC
IC402	0IMCRTI021A	SN74LVTH541PWR 20P TSSOP R/TP	Q300	0TR387500AA	CHIP 2SC3875S(ALY) BK KEC
IC500	0IMMRAL014B	AT24C02N-10SI-2.7 ATMEL 8P SOIC R/TP	Q301	0TR387500AA	CHIP 2SC3875S(ALY) BK KEC
IC501	0IMCRTH002A	THC63LVD103 64P TQFP TRAY 10BIT LVDS TX	Q302	0TR387500AA	CHIP 2SC3875S(ALY) BK KEC
IC502	0IPH741400E	74HC14D 14SOP TP SHITTER TRIGGER	Q303	0TR387500AA	CHIP 2SC3875S(ALY) BK KEC
IC502	0IPRPPH041A	UDA1334BTS PHILIPS SSOP 16P R/TP LOW	Q304	0TR387500AA	CHIP 2SC3875S(ALY) BK KEC
IC505	0IMCRSJ001A	SC15651ST-1.8 SEMTECH 3P SOT223 TP	Q305	0TR150400BA	CHIP 2SA1504S(ASY) BK KEC
IC506	0IPMGS1012A	SC15921STRT,PB FREE SEMTECH SOIC-8P	Q400	0TR387500AA	CHIP 2SC3875S(ALY) BK KEC
IC600	0IPRP00009A	ICL3232CBNZ INTERSIL 16P/SOP R/TP RS232	Q401	0TR387500AA	CHIP 2SC3875S(ALY) BK KEC
IC601	0IPMGKE032A	KIA78R09F KEC 5PIN DPAK R/TP 1A,9V	Q402	0TR387500AA	CHIP 2SC3875S(ALY) BK KEC
IC602	0IPMGKE032A	KIA78R09F KEC 5PIN DPAK R/TP 1A,9V	Q403	0TR387500AA	CHIP 2SC3875S(ALY) BK KEC
IC603	0IPRPNS054A	LM75CIMX-3 NATIONAL SEMICONDUCTOR	Q404	0TR387500AA	CHIP 2SC3875S(ALY) BK KEC
IC604	0IPH743200A	74HC32D 14SOP TP QUAD 2-INPUT OR GATE	Q405	0TR102008AA	KRA102S R/TP KEC SOT23 CHIP TR
IC700	0IMCR02006A	FLI8125BB-LF GENESIS 208P/PQFP	Q407	0TR387500AA	CHIP 2SC3875S(ALY) BK KEC
IC701	0IMMRAL025A	AT24C32AN-10SI-2.7 ATMEL 8PIN SOP TP	Q408	0TR102008AA	KRA102S R/TP KEC SOT23 CHIP TR
IC703	0IMMR00004A	SST25VF040-20-4C-S2AE-T SST SOIC	Q409	0TR387500AA	CHIP 2SC3875S(ALY) BK KEC
IC800	0IMCR02005A	FLI8532BD-LF GENESIS 416P/PBGA	Q410	0TR387500AA	CHIP 2SC3875S(ALY) BK KEC
IC802	0IMP242560A	24LC256-I/SM 8P,SOP TP 256K IIC	Q411	0TR387500AA	CHIP 2SC3875S(ALY) BK KEC
IC901	0IMMR00002A	K4D261638F-LC50,LF TSOPII 66P	Q501	0TFON80009A	NTS2101PT1G,P-CHANNEL,PB FREE ON SEMI
IC902	0IMMR00002A	K4D261638F-LC50,LF TSOPII 66P	Q502	0TFON80004C	NTR4501NT1G,N-CHANNEL,PB FREE ON SEMI
<b>TRANSISTOR</b>			<b>DIODE</b>		
IC1202	0TR830009BA	BSS83 TP PHILIPS N-CHANNEL S/W TR	D1	0DZ620009BB	MTZJ6.2B TP ROHM-K DO34 0.5W 6.2V 5UA

For Capacitor & Resistors, the characters at 2nd and 3rd digit in the P/No. means as follows;	CC, CX, CK, CN : Ceramic CQ : Polyester CE : Electrolytic	RD : Carbon Film RS : Metal Oxide Film RN : Metal Film RF : Fusible
--	---	--

LOCA. NO	PART NO	DESCRIPTION
D1005	0DD226239AA	KDS226 TP KEC
D1006	0DD226239AA	KDS226 TP KEC
D1007	0DD226239AA	KDS226 TP KEC
D1008	0DD226239AA	KDS226 TP KEC
D1009	0DD226239AA	KDS226 TP KEC
D1010	0DD226239AA	KDS226 TP KEC
D1012	0DD200009AF	RU2M V(1) TP R-TMD 400V 1.1A 20A 0.4US
D1013	0DD200009AF	RU2M V(1) TP R-TMD 400V 1.1A 20A 0.4US
D102	0DD226239AA	KDS226 TP KEC
D103	0DD226239AA	KDS226 TP KEC
D104	0DD226239AA	KDS226 TP KEC
D105	0DD226239AA	KDS226 TP KEC
D106	0DD226239AA	KDS226 TP KEC
D108	0DD226239AA	KDS226 TP KEC
D1100	0DD226239AA	KDS226 TP KEC
D1105	0DD226239AA	KDS226 TP KEC
D1106	0DD226239AA	KDS226 TP KEC
D1107	0DD226239AA	KDS226 TP KEC
D1109	0DD226239AA	KDS226 TP KEC
D1110	0DD226239AA	KDS226 TP KEC
D112	0DD226239AA	KDS226 TP KEC
D113	0DD226239AA	KDS226 TP KEC
D114	0DD226239AA	KDS226 TP KEC
D1200	0DD184009AA	KDS184 TP KEC - 85V - 300MA
D1201	0DS113379BA	1SS133 T-72 TP ROHM KOREA DO34 90V
D2	0DZ620009BB	MTZJ6.2B TP DO34 0.5W 6.2V 5UA
D300	0DD226239AA	KDS226 TP KEC
D500	0DD226239AA	KDS226 TP KEC
D501	0DD226239AA	KDS226 TP KEC
D502	0DD226239AA	KDS226 TP KEC
D504	0DR050008AA	SD05.TC R/TP SEMTECH SOD323 5V 5A 15A
D505	0DR050008AA	SD05.TC R/TP SEMTECH SOD323 5V 5A 15A
D506	0DR050008AA	SD05.TC R/TP SEMTECH SOD323 5V 5A 15A
D600	0DD100009AM	EU1ZV(1) TP SANKEN E/EO-TMD 200V 0.25A
ZD300	0DR050008AA	SD05.TC R/TP SEMTECH SOD323 5V 5A 15A
ZD301	0DR050008AA	SD05.TC R/TP SEMTECH SOD323 5V 5A 15A
ZD400	0DZRM00248A	RLZ8.2B-TE11 ROHM R/TP LLDS(LL-34)
ZD600	0DR050008AA	SD05.TC R/TP SEMTECH SOD323 5V 5A 15A
<b>CAPACITOR</b>		
C1000	0CE477WF6DC	470UF MVK 16V 20% SMD R/TP(SMD)
C1005	0CE477WF6DC	470UF MVK 16V 20% SMD R/TP(SMD)
C1007	0CE107WF6DC	100UF MVK 16V 20% R/TP(SMD) SMD
C1009	0CE107WF6DC	100UF MVK 16V 20% R/TP(SMD) SMD
C101	0CK104CF56A	0.1UF 1608 16V 10% R/TP X7R
C1010	0CE107WF6DC	100UF MVK 16V 20% R/TP(SMD) SMD
C1019	0CE476WF6DC	47UF MVK 16V 20% R/TP(SMD) SMD
C102	0CK104CF56A	0.1UF 1608 16V 10% R/TP X7R
C103	0CK104CF56A	0.1UF 1608 16V 10% R/TP X7R
C1030	0CE476WF6DC	47UF MVK 16V 20% R/TP(SMD) SMD
C104	0CE107SF6DC	100UF MVG 16V 20% SMD R/TP
C104	0CK104CF56A	0.1UF 1608 16V 10% R/TP X7R

LOCA. NO	PART NO	DESCRIPTION
C1043	0CE476WF6DC	47UF MVK 16V 20% R/TP(SMD) SMD
C1046	0CE477WF6DC	470UF MVK 16V 20% SMD R/TP(SMD)
C1047	0CE476WF6DC	47UF MVK 16V 20% R/TP(SMD) SMD
C105	0CK104CF56A	0.1UF 1608 16V 10% R/TP X7R
C1050	0CE477WF6DC	470UF MVK 16V 20% SMD R/TP(SMD)
C1051	0CE477WF6DC	470UF MVK 16V 20% SMD R/TP(SMD)
C106	0CK104CF56A	0.1UF 1608 16V 10% R/TP X7R
C1064	0CE476WF6DC	47UF MVK 16V 20% R/TP(SMD) SMD
C1065	0CE476SF6DC	47UF MVG 16V 20% SMD R/TP
C1066	0CE476SF6DC	47UF MVG 16V 20% SMD R/TP
C1067	0CE476SF6DC	47UF MVG 16V 20% SMD R/TP
C1068	0CE476SF6DC	47UF MVG 16V 20% SMD R/TP
C1069	0CE476SF6DC	47UF MVG 16V 20% SMD R/TP
C107	0CE107SF6DC	100UF MVG 16V 20% SMD R/TP
C107	0CK104CF56A	0.1UF 1608 16V 10% R/TP X7R
C1071	0CE477WF6DC	470UF MVK 16V 20% SMD R/TP(SMD)
C1073	0CE477WF6DC	470UF MVK 16V 20% SMD R/TP(SMD)
C108	0CE227SF6DC	220UF MVG 16V 20% R/TP(SMD) SMD
C108	0CK104CF56A	0.1UF 1608 16V 10% R/TP X7R
C108	0CK105DF64A	1UF 2012 16V 20% F(Y5V) R/TP
C1082	0CE476SF6DC	47UF MVG 16V 20% SMD R/TP
C1083	0CE476SF6DC	47UF MVG 16V 20% SMD R/TP
C1084	0CE476SF6DC	47UF MVG 16V 20% SMD R/TP
C1085	0CE476SF6DC	47UF MVG 16V 20% SMD R/TP
C1087	0CE477WF6DC	470UF MVK 16V 20% SMD R/TP(SMD)
C109	0CK104CF56A	0.1UF 1608 16V 10% R/TP X7R
C109	0CK105DF64A	1UF 2012 16V 20% F(Y5V) R/TP
C1098	0CE476SF6DC	47UF MVG 16V 20% SMD R/TP
C1099	0CE476SF6DC	47UF MVG 16V 20% SMD R/TP
C110	0CK104CF56A	0.1UF 1608 16V 10% R/TP X7R
C1102	0CE476SF6DC	47UF MVG 16V 20% SMD R/TP
C1105	0CE476WF6DC	47UF MVK 16V 20% R/TP(SMD) SMD
C1107	0CE107WF6DC	100UF MVK 16V 20% R/TP(SMD) SMD
C1108	0CE107WF6DC	100UF MVK 16V 20% R/TP(SMD) SMD
C111	0CK104CF56A	0.1UF 1608 16V 10% R/TP X7R
C111	0CK105DF64A	1UF 2012 16V 20% F(Y5V) R/TP
C1110	0CE477WF6DC	470UF MVK 16V 20% SMD R/TP(SMD)
C1115	0CE477DJ618	470UF STD 35V 20% FL TP 5
C1116	0CE477WF6DC	470UF MVK 16V 20% SMD R/TP(SMD)
C1117	0CE227VF6DC	220UF MV 16V 20% R/TP(SMD) SMD
C1118	0CE477WF6DC	470UF MVK 16V 20% SMD R/TP(SMD)
C1119	0CE477DJ618	470UF STD 35V 20% FL TP 5
C112	0CK104CF56A	0.1UF 1608 16V 10% R/TP X7R
C1120	0CE227VF6DC	220UF MV 16V 20% R/TP(SMD) SMD
C1126	0CE477WF6DC	470UF MVK 16V 20% SMD R/TP(SMD)
C113	0CE107SF6DC	100UF MVG 16V 20% SMD R/TP
C113	0CK104CF56A	0.1UF 1608 16V 10% R/TP X7R
C1135	0CE107WF6DC	100UF MVK 16V 20% R/TP(SMD) SMD
C1136	0CE107SF6DC	100UF MVG 16V 20% SMD R/TP
C1137	0CE107WF6DC	100UF MVK 16V 20% R/TP(SMD) SMD
C1138	0CE107WF6DC	100UF MVK 16V 20% R/TP(SMD) SMD
C114	0CK104CF56A	0.1UF 1608 16V 10% R/TP X7R

For Capacitor & Resistors, the characters at 2nd and 3rd digit in the P/No. means as follows;	CC, CX, CK, CN : Ceramic CQ : Polyester CE : Electrolytic	RD : Carbon Film RS : Metal Oxide Film RN : Metal Film RF : Fusible
--	---	--

LOCA. NO	PART NO	DESCRIPTION	LOCA. NO	PART NO	DESCRIPTION
C1148	0CE476WF6DC	47UF MVK 16V 20% R/TP(SMD) SMD	C1316	0CE476SF6DC	47UF MVG 16V 20% SMD R/TP
C1149	0CE107SF6DC	100UF MVG 16V 20% SMD R/TP	C1317	0CE476SF6DC	47UF MVG 16V 20% SMD R/TP
C1150	0CE107SF6DC	100UF MVG 16V 20% SMD R/TP	C1318	0CE476SF6DC	47UF MVG 16V 20% SMD R/TP
C1151	0CE107SF6DC	100UF MVG 16V 20% SMD R/TP	C1333	0CE336VF6DC	33UF MV 16V 20% R/TP(SMD) SMD
C1154	0CE476WF6DC	47UF MVK 16V 20% R/TP(SMD) SMD	C1334	0CE336VF6DC	33UF MV 16V 20% R/TP(SMD) SMD
C1159	0CE476SF6DC	47UF MVG 16V 20% SMD R/TP	C1335	0CE336VF6DC	33UF MV 16V 20% R/TP(SMD) SMD
C116	0CK103CK56A	0.01UF 1608 50V 10% R/TP X7R	C1338	0CE336VF6DC	33UF MV 16V 20% R/TP(SMD) SMD
C1162	0CE107SF6DC	100UF MVG 16V 20% SMD R/TP	C135	0CE476SF6DC	47UF MVG 16V 20% SMD R/TP
C1165	0CE107SF6DC	100UF MVG 16V 20% SMD R/TP	C1410	0CE475SK6DC	4.7UF MVG 50V 20% SMD R/TP
C1166	0CE107SF6DC	100UF MVG 16V 20% SMD R/TP	C1411	0CE475SK6DC	4.7UF MVG 50V 20% SMD R/TP
C117	0CE107SF6DC	100UF MVG 16V 20% SMD R/TP	C142	0CF4741L438	0.47UF D 63V 5% TP 5 M/PE NI
C117	0CE227SF6DC	220UF MVG 16V 20% R/TP(SMD) SMD	C143	0CF4741L438	0.47UF D 63V 5% TP 5 M/PE NI
C118	0CE106SF6DC	10UF MVG 16V 20% R/TP(SMD) SMD	C172	0CF4741L438	0.47UF D 63V 5% TP 5 M/PE NI
C1185	0CE476SF6DC	47UF MVG 16V 20% SMD R/TP	C173	0CF4741L438	0.47UF D 63V 5% TP 5 M/PE NI
C1186	0CE476SF6DC	47UF MVG 16V 20% SMD R/TP	C174	0CK105DF64A	1UF 2012 16V 20% F(Y5V) R/TP
C1187	0CE476SF6DC	47UF MVG 16V 20% SMD R/TP	C175	0CK105DF64A	1UF 2012 16V 20% F(Y5V) R/TP
C1188	0CE107SF6DC	100UF MVG 16V 20% SMD R/TP	C176	0CK105DF64A	1UF 2012 16V 20% F(Y5V) R/TP
C1189	0CE107SF6DC	100UF MVG 16V 20% SMD R/TP	C177	0CK105DF64A	1UF 2012 16V 20% F(Y5V) R/TP
C119	0CE106SF6DC	10UF MVG 16V 20% R/TP(SMD) SMD	C178	0CE106SK6DC	10UF MVG 50V 20% SMD R/TP
C119	0CK104CF56A	0.1UF 1608 16V 10% R/TP X7R	C179	0CE108DJ618	1000UF STD 35V 20% FL TP 5
C1190	0CE107SF6DC	100UF MVG 16V 20% SMD R/TP	C184	0CE106SK6DC	10UF MVG 50V 20% SMD R/TP
C1191	0CE107SF6DC	100UF MVG 16V 20% SMD R/TP	C185	0CE108DJ618	1000UF STD 35V 20% FL TP 5
C1192	0CE107SF6DC	100UF MVG 16V 20% SMD R/TP	C192	0CE108DJ618	1000UF STD 35V 20% FL TP 5
C1193	0CE107SF6DC	100UF MVG 16V 20% SMD R/TP	C193	0CF4741L438	0.47UF D 63V 5% TP 5 M/PE NI
C1194	0CE477WF6DC	470UF MVK 16V 20% SMD R/TP(SMD)	C196	0CF4741L438	0.47UF D 63V 5% TP 5 M/PE NI
C1195	0CE107SF6DC	100UF MVG 16V 20% SMD R/TP	C201	0CK104CF56A	0.1UF 1608 16V 10% R/TP X7R
C1199	0CE107SF6DC	100UF MVG 16V 20% SMD R/TP	C202	0CK104CF56A	0.1UF 1608 16V 10% R/TP X7R
C120	0CE106SF6DC	10UF MVG 16V 20% R/TP(SMD) SMD	C203	0CE475SK6DC	4.7UF MVG 50V 20% SMD R/TP
C1200	0CE106SF6DC	10UF MVG 16V 20% R/TP(SMD) SMD	C203	0CK104CF56A	0.1UF 1608 16V 10% R/TP X7R
C1201	0CE106SF6DC	10UF MVG 16V 20% R/TP(SMD) SMD	C204	0CE477WF6DC	470UF MVK 16V 20% SMD R/TP(SMD)
C121	0CE106SF6DC	10UF MVG 16V 20% R/TP(SMD) SMD	C204	0CK104CF56A	0.1UF 1608 16V 10% R/TP X7R
C122	0CK103CK56A	0.01UF 1608 50V 10% R/TP X7R	C205	0CK104CF56A	0.1UF 1608 16V 10% R/TP X7R
C1225	0CE106SF6DC	10UF MVG 16V 20% R/TP(SMD) SMD	C206	0CK104CF56A	0.1UF 1608 16V 10% R/TP X7R
C123	0CC102CK41A	1000PF 1608 50V 5% R/TP NP0	C207	0CK104CF56A	0.1UF 1608 16V 10% R/TP X7R
C1230	0CK105DF64A	1UF 2012 16V 20% F(Y5V) R/TP	C208	0CE477WF6DC	470UF MVK 16V 20% SMD R/TP(SMD)
C1231	0CK105DF64A	1UF 2012 16V 20% F(Y5V) R/TP	C208	0CK104CF56A	0.1UF 1608 16V 10% R/TP X7R
C1245	0CE106SF6DC	10UF MVG 16V 20% R/TP(SMD) SMD	C209	0CK104CF56A	0.1UF 1608 16V 10% R/TP X7R
C1247	0CE476SF6DC	47UF MVG 16V 20% SMD R/TP	C210	0CE475SK6DC	4.7UF MVG 50V 20% SMD R/TP
C127	0CE108DJ618	1000UF STD 35V 20% FL TP 5	C211	0CE477WF6DC	470UF MVK 16V 20% SMD R/TP(SMD)
C128	0CF4741L438	0.47UF D 63V 5% TP 5 M/PE NI	C214	0CE106SF6DC	10UF MVG 16V 20% R/TP(SMD) SMD
C129	0CE227SF6DC	220UF MVG 16V 20% R/TP(SMD) SMD	C215	0CE475SK6DC	4.7UF MVG 50V 20% SMD R/TP
C130	0CE227SF6DC	220UF MVG 16V 20% R/TP(SMD) SMD	C221	0CE477WF6DC	470UF MVK 16V 20% SMD R/TP(SMD)
C1302	0CE107WF6DC	100UF MVK 16V 20% R/TP(SMD) SMD	C238	0CE107WF6DC	100UF MVK 16V 20% R/TP(SMD) SMD
C1304	0CE476WF6DC	47UF MVK 16V 20% R/TP(SMD) SMD	C241	0CE476SK6D8	47UF MVG,MC 50V 20% SMD TAPPING
C1306	0CE476WF6DC	47UF MVK 16V 20% R/TP(SMD) SMD	C245	0CE227SF6DC	220UF MVG 16V 20% R/TP(SMD) SMD
C1309	0CE107WF6DC	100UF MVK 16V 20% R/TP(SMD) SMD	C246	0CE227SF6DC	220UF MVG 16V 20% R/TP(SMD) SMD
C131	0CE476SF6DC	47UF MVG 16V 20% SMD R/TP	C300	0CE107SF6DC	100UF MVG 16V 20% SMD R/TP
C1311	0CE107SF6DC	100UF MVG 16V 20% SMD R/TP	C301	0CK104CF56A	0.1UF 1608 16V 10% R/TP X7R
C1312	0CE107WF6DC	100UF MVK 16V 20% R/TP(SMD) SMD	C302	0CK104CF56A	0.1UF 1608 16V 10% R/TP X7R
C1313	0CE107WF6DC	100UF MVK 16V 20% R/TP(SMD) SMD	C303	0CK104CF56A	0.1UF 1608 16V 10% R/TP X7R
C1314	0CE107WF6DC	100UF MVK 16V 20% R/TP(SMD) SMD	C304	0CE226SF6DC	22UF MVG 16V 20% SMD R/TP
C1315	0CE107WF6DC	100UF MVK 16V 20% R/TP(SMD) SMD	C304	0CK104CF56A	0.1UF 1608 16V 10% R/TP X7R

For Capacitor & Resistors, the characters at 2nd and 3rd digit in the P/No. means as follows;	CC, CX, CK, CN : Ceramic CQ : Polyester CE : Electrolytic	RD : Carbon Film RS : Metal Oxide Film RN : Metal Film RF : Fusible
--	---	--

LOCA. NO	PART NO	DESCRIPTION
C305	0CE107SF6DC	100UF MVG 16V 20% SMD R/TP
C305	0CK104CF56A	0.1UF 1608 16V 10% R/TP X7R
C306	0CK104CF56A	0.1UF 1608 16V 10% R/TP X7R
C307	0CE476SF6DC	47UF MVG 16V 20% SMD R/TP
C307	0CK104CF56A	0.1UF 1608 16V 10% R/TP X7R
C308	0CK104CF56A	0.1UF 1608 16V 10% R/TP X7R
C309	0CK104CF56A	0.1UF 1608 16V 10% R/TP X7R
C310	0CK225DFK4A	2.2UF 2012 16V 20%,-20% F(Y5V) R/TP
C315	0CK225DFK4A	2.2UF 2012 16V 20%,-20% F(Y5V) R/TP
C318	0CK225DFK4A	2.2UF 2012 16V 20%,-20% F(Y5V) R/TP
C319	0CK225DFK4A	2.2UF 2012 16V 20%,-20% F(Y5V) R/TP
C320	0CK225DFK4A	2.2UF 2012 16V 20%,-20% F(Y5V) R/TP
C321	0CK225DFK4A	2.2UF 2012 16V 20%,-20% F(Y5V) R/TP
C325	0CK225DFK4A	2.2UF 2012 16V 20%,-20% F(Y5V) R/TP
C328	0CK225DFK4A	2.2UF 2012 16V 20%,-20% F(Y5V) R/TP
C330	0CK225DFK4A	2.2UF 2012 16V 20%,-20% F(Y5V) R/TP
C338	0CK225DFK4A	2.2UF 2012 16V 20%,-20% F(Y5V) R/TP
C340	0CE476SF6DC	47UF MVG 16V 20% SMD R/TP
C342	0CE105SK6DC	1UF MVG 50V 20% SMD R/TP
C347	0CE105SK6DC	1UF MVG 50V 20% SMD R/TP
C402	0CE476WF6DC	47UF MVK 16V 20% R/TP(SMD) SMD
C403	0CE226SF6DC	22UF MVG 16V 20% SMD R/TP
C404	0CK104CF56A	0.1UF 1608 16V 10% R/TP X7R
C405	0CK104CF56A	0.1UF 1608 16V 10% R/TP X7R
C406	0CK104CF56A	0.1UF 1608 16V 10% R/TP X7R
C407	0CK104CF56A	0.1UF 1608 16V 10% R/TP X7R
C408	0CK104CF56A	0.1UF 1608 16V 10% R/TP X7R
C409	0CK104CF56A	0.1UF 1608 16V 10% R/TP X7R
C410	0CK104CF56A	0.1UF 1608 16V 10% R/TP X7R
C412	0CK104CF56A	0.1UF 1608 16V 10% R/TP X7R
C413	0CE335VK6DC	3.3UF MV 50V 20% R/TP(SMD) SMD
C425	0CE226SF6DC	22UF MVG 16V 20% SMD R/TP
C457	0CE335VK6DC	3.3UF MV 50V 20% R/TP(SMD) SMD
C462	0CE107WF6DC	100UF MVK 16V 20% R/TP(SMD) SMD
C463	0CE106SF6DC	10UF MVG 16V 20% R/TP(SMD) SMD
C464	0CE106SF6DC	10UF MVG 16V 20% R/TP(SMD) SMD
C481	0CE475SK6DC	4.7UF MVG 50V 20% SMD R/TP
C482	0CE475SK6DC	4.7UF MVG 50V 20% SMD R/TP
C501	0CE476SF6DC	47UF MVG 16V 20% SMD R/TP
C502	0CK104CF56A	0.1UF 1608 16V 10% R/TP X7R
C503	0CE226SF6DC	22UF MVG 16V 20% SMD R/TP
C503	0CE476SF6DC	47UF MVG 16V 20% SMD R/TP
C504	0CK104CF56A	0.1UF 1608 16V 10% R/TP X7R
C505	0CE107SF6DC	100UF MVG 16V 20% SMD R/TP
C505	0CE226SF6DC	22UF MVG 16V 20% SMD R/TP
C506	0CK104CF56A	0.1UF 1608 16V 10% R/TP X7R
C507	0CE476SF6DC	47UF MVG 16V 20% SMD R/TP
C508	0CK104CF56A	0.1UF 1608 16V 10% R/TP X7R
C509	0CE226SF6DC	22UF MVG 16V 20% SMD R/TP
C510	0CK104CF56A	0.1UF 1608 16V 10% R/TP X7R
C511	0CE107SF6DC	100UF MVG 16V 20% SMD R/TP
C511	0CE476SF6DC	47UF MVG 16V 20% SMD R/TP

LOCA. NO	PART NO	DESCRIPTION
C512	0CK104CF56A	0.1UF 1608 16V 10% R/TP X7R
C513	0CK104CF56A	0.1UF 1608 16V 10% R/TP X7R
C514	0CE105VK6DC	1UF MV 50V 20% R/TP(SMD) SMD
C515	0CK104CF56A	0.1UF 1608 16V 10% R/TP X7R
C516	0CE105VK6DC	1UF MV 50V 20% R/TP(SMD) SMD
C517	0CK104CF56A	0.1UF 1608 16V 10% R/TP X7R
C518	0CE226SF6DC	22UF MVG 16V 20% SMD R/TP
C518	0CE476SF6DC	47UF MVG 16V 20% SMD R/TP
C519	0CK104CF56A	0.1UF 1608 16V 10% R/TP X7R
C520	0CE226SF6DC	22UF MVG 16V 20% SMD R/TP
C520	0CE476SF6DC	47UF MVG 16V 20% SMD R/TP
C521	0CK104CF56A	0.1UF 1608 16V 10% R/TP X7R
C522	0CE226SF6DC	22UF MVG 16V 20% SMD R/TP
C522	0CE476SF6DC	47UF MVG 16V 20% SMD R/TP
C523	0CK104CF56A	0.1UF 1608 16V 10% R/TP X7R
C524	0CE476SF6DC	47UF MVG 16V 20% SMD R/TP
C525	0CK103CK56A	0.01UF 1608 50V 10% R/TP X7R
C526	0CE476SF6DC	47UF MVG 16V 20% SMD R/TP
C527	0CE476WF6DC	47UF MVK 16V 20% R/TP(SMD) SMD
C527	0CK103CK56A	0.01UF 1608 50V 10% R/TP X7R
C528	0CK103CK56A	0.01UF 1608 50V 10% R/TP X7R
C529	0CK104CF56A	0.1UF 1608 16V 10% R/TP X7R
C530	0CK103CK56A	0.01UF 1608 50V 10% R/TP X7R
C531	0CK104CF56A	0.1UF 1608 16V 10% R/TP X7R
C532	0CK104CF56A	0.1UF 1608 16V 10% R/TP X7R
C533	0CK103CK56A	0.01UF 1608 50V 10% R/TP X7R
C534	0CK104CF56A	0.1UF 1608 16V 10% R/TP X7R
C610	0CE107WF6DC	100UF MVK 16V 20% R/TP(SMD) SMD
C614	0CE476WF6DC	47UF MVK 16V 20% R/TP(SMD) SMD
C615	0CE476WF6DC	47UF MVK 16V 20% R/TP(SMD) SMD
C620	0CE476WF6DC	47UF MVK 16V 20% R/TP(SMD) SMD
C621	0CE476WF6DC	47UF MVK 16V 20% R/TP(SMD) SMD
C622	0CE476WF6DC	47UF MVK 16V 20% R/TP(SMD) SMD
C625	0CE107SF6DC	100UF MVG 16V 20% SMD R/TP
C728	0CE226SF6DC	22UF MVG 16V 20% SMD R/TP
C729	0CE226SF6DC	22UF MVG 16V 20% SMD R/TP
C730	0CE226SF6DC	22UF MVG 16V 20% SMD R/TP
C731	0CE226SF6DC	22UF MVG 16V 20% SMD R/TP
C735	0CE226SF6DC	22UF MVG 16V 20% SMD R/TP
C737	0CE226SF6DC	22UF MVG 16V 20% SMD R/TP
C739	0CE226SF6DC	22UF MVG 16V 20% SMD R/TP
C745	0CE226SF6DC	22UF MVG 16V 20% SMD R/TP
C750	0CE226SF6DC	22UF MVG 16V 20% SMD R/TP
C752	0CE226SF6DC	22UF MVG 16V 20% SMD R/TP
C760	0CE226SF6DC	22UF MVG 16V 20% SMD R/TP
C762	0CE226SF6DC	22UF MVG 16V 20% SMD R/TP
C764	0CE226SF6DC	22UF MVG 16V 20% SMD R/TP
C767	0CE226SF6DC	22UF MVG 16V 20% SMD R/TP
C771	0CE226SF6DC	22UF MVG 16V 20% SMD R/TP
C832	0CE226SF6DC	22UF MVG 16V 20% SMD R/TP
C833	0CE226SF6DC	22UF MVG 16V 20% SMD R/TP
C834	0CE226SF6DC	22UF MVG 16V 20% SMD R/TP

For Capacitor & Resistors, the characters at 2nd and 3rd digit in the P/No. means as follows;	CC, CX, CK, CN : Ceramic CQ : Polyester CE : Electrolytic	RD : Carbon Film RS : Metal Oxide Film RN : Metal Film RF : Fusible
--	---	--

LOCA. NO	PART NO	DESCRIPTION
C835	0CE226SF6DC	22UF MVG 16V 20% SMD R/TP
C836	0CE226SF6DC	22UF MVG 16V 20% SMD R/TP
C837	0CE226SF6DC	22UF MVG 16V 20% SMD R/TP
C838	0CE226SF6DC	22UF MVG 16V 20% SMD R/TP
C839	0CE226SF6DC	22UF MVG 16V 20% SMD R/TP
C840	0CE226SF6DC	22UF MVG 16V 20% SMD R/TP
C851	0CE226SF6DC	22UF MVG 16V 20% SMD R/TP
C853	0CE226SF6DC	22UF MVG 16V 20% SMD R/TP
C884	0CE226SF6DC	22UF MVG 16V 20% SMD R/TP
C896	0CE226SF6DC	22UF MVG 16V 20% SMD R/TP
C901	0CE226SF6DC	22UF MVG 16V 20% SMD R/TP
C904	0CE226SF6DC	22UF MVG 16V 20% SMD R/TP
C905	0CE226SF6DC	22UF MVG 16V 20% SMD R/TP
C930	0CE226SF6DC	22UF MVG 16V 20% SMD R/TP
C950	0CE226SF6DC	22UF MVG 16V 20% SMD R/TP
<b>COIL</b>		
L1000	6140VB0004B	26UH 1UEWPHY 22.5TURN YL-9N 0.4
L105	6140VB0032A	DBF-1015A 15.5UH 10PIE DIGITAL AUDIO
L106	6140VB0032A	DBF-1015A 15.5UH 10PIE DIGITAL AUDIO
L107	6140VB0032A	DBF-1015A 15.5UH 10PIE DIGITAL AUDIO
L108	6140VB0032A	DBF-1015A 15.5UH 10PIE DIGITAL AUDIO
L109	6140VB0032A	DBF-1015A 15.5UH 10PIE DIGITAL AUDIO
L110	6140VB0032A	DBF-1015A 15.5UH 10PIE DIGITAL AUDIO
L1101	6140VB0004B	26UH 1UEWPHY 22.5TURN YL-9N 0.4
L1102	6140VB0004B	26UH 1UEWPHY 22.5TURN YL-9N 0.4
L1103	6140VB0004B	26UH 1UEWPHY 22.5TURN YL-9N 0.4
L1104	6140VB0004B	26UH 1UEWPHY 22.5TURN YL-9N 0.4
L111	6140VB0032A	DBF-1015A 15.5UH 10PIE DIGITAL AUDIO
L112	6140VB0032A	DBF-1015A 15.5UH 10PIE DIGITAL AUDIO
L1124	6140VB0004B	26UH 1UEWPHY 22.5TURN YL-9N 0.4
L503	6140VB0003A	LQH31CN4R7M03L MURATA 4.7UH 10%
<b>CONNECTOR</b>		
C1	387-G03P	3P 2.5MM 1000MM H-H UL1007AWG26
C10	6631V12036P	10P 1.25MM 1000MM H-H UL1533AWG28
C11	6631V25032C	3P 2.5MM 200MM H-H UL1007 AWG26
C12	6631V25032E	3P 2.5MM 300MM H-H UL1007 AWG26
C13	6631V25032K	3P 2.5MM 600MM H-H UL1007AWG26
C14	6631V25083E	7P 2.5MM 300MM H-H UL1007 AWG24
C15	6631V25189G	3P 2.5MM 400MM H-H UL1007AWG26
C16	6631V25190D	6P 2.5MM 300MM H-H UL1007AWG26
C17	6631V39002C	4P 3.96MM 400MM H-H UL1007AWG18
C18	6631V39002P	10P 3.96MM 400MM H-H UL1007AWG18
C19	6631V39032A	5P 3.96MM SHUNT H-W UL1617AWG22
C2	387-G05C	5P 2.5MM 200MM H-H UL1007AWG26
C20	6631V63001E	3P 6.35MM 300MM H-H UL1617AWG18
C21	6631V63002D	2P 6.35MM 250MM H-H UL1617AWG18
C3	387-G09B	9P 2.5MM 150MM H-H UL1007AWG26
C4	387-J04T	4P 2.5MM 1200MM H-H UL1185AWG26
C5	387-J10J	10P 2.5MM 500MM H-H UL1185AWG26
C6	387-J10R	10P 2.5MM 1400MM H-H UL1185AWG26

LOCA. NO	PART NO	DESCRIPTION
C7	387-J12H	12P 2.5MM 450MM H-H UL1185AWG26
C8	387-J12N	12P 2.5MM 900MM H-H UL1185AWG26
C9	6631V00045G	10P 2.5MM 400MM H-H UL1007AWG24
CARD301	6630C00010B	152-1001005000-CV TAISOL 68P 0.7MM
CARD302	6630C00012C	149-1110012901 TAISOL 50P 0.635MM
CD301	6630C00010B	152-1001005000-CV TAISOL 68P 0.7MM
CD302	6630C00012C	149-1110012901 TAISOL 50P 0.635MM
JK500	6630G70016A	A03-7071-094 SPG 15P 2.29MM
JK601	6630G70017A	A02-0915-101 SPG 9P 2.54MM
P100	366-921L	GIL-G-12P LGC 12PIN 2.54MM STICK
P1001	366-921F	GIL-G-07P LGC 7PIN 2.54MM STICK
P101	6630VF01810	12505WR-10 YEONHO 10P 1.25MM
P102	366-932B	IL-G-03P LGC 2.5MM S/T STICK
P103	366-921L	GIL-G-12P LGC 12PIN 2.54MM STICK
P103	366-932C	IL-G-04P LGC 2.5MM S/T STICK
P104	366-932B	IL-G-03P LGC 2.5MM S/T STICK
P105	366-932C	IL-G-04P LGC 2.5MM S/T STICK
P106	366-921J	GIL-G-10P LGC 10PIN 2.54MM STICK
P106	366-921L	GIL-G-12P LGC 12PIN 2.54MM STICK
P1100	366-921J	GIL-G-10P LGC 10PIN 2.54MM STICK
P1300	6602T12007D	GT121-31P-TD LGC 31P 1.25MM DUAL S/T
P1302	6630VF00710	12505WS-10A00 YEONHO 10P 1.25MM
P1303	366-921J	GIL-G-10P LGC 10PIN 2.54MM STICK
P1304	366-932B	IL-G-03P LGC 2.5MM S/T STICK
P300	366-922L	GIL-G-12P LGC 12PIN 2.54MM RIGHT ANGLE
P400	366-921L	GIL-G-12P LGC 12PIN 2.54MM STICK
P401	366-921J	GIL-G-10P LGC 10PIN 2.54MM STICK
P401	6602V12001H	1.25MM 12PINP 53261-1290
P501	6630VF01810	12505WR-10 YEONHO 10P 1.25MM
P502	6602T12007D	GT121-31P-TD LGC 31P 1.25MM DUAL S/T
P600	366-932B	IL-G-03P LGC 2.5MM S/T STICK
P601	366-932B	IL-G-03P LGC 2.5MM S/T STICK
P602	366-932B	IL-G-03P LGC 2.5MM S/T STICK
P603	366-932B	IL-G-03P LGC 2.5MM S/T STICK
P604	366-932B	IL-G-03P LGC 2.5MM S/T STICK
P802	366-932C	IL-G-04P LGC 2.5MM S/T STICK
P803	6602T12007D	GT121-31P-TD LGC 31P 1.25MM DUAL S/T
<b>RESISTOR</b>		
AR1200	0RRZVTA001D	22 OHM 1 / 16 W 1608 5% R/TP 4P E24
AR1201	0RRZVTA001D	22 OHM 1 / 16 W 1608 5% R/TP 4P E24
AR1202	0RRZVTA001D	22 OHM 1 / 16 W 1608 5% R/TP 4P E24
AR1203	0RRZVTA001D	22 OHM 1 / 16 W 1608 5% R/TP 4P E24
AR1204	0RRZVTA001D	22 OHM 1 / 16 W 1608 5% R/TP 4P E24
AR1205	0RRZVTA001D	22 OHM 1 / 16 W 1608 5% R/TP 4P E24
AR1301	0RRZVTA001D	22 OHM 1 / 16 W 1608 5% R/TP 4P E24
AR1302	0RRZVTA001D	22 OHM 1 / 16 W 1608 5% R/TP 4P E24
AR1303	0RRZVTA001D	22 OHM 1 / 16 W 1608 5% R/TP 4P E24
AR1304	0RRZVTA001D	22 OHM 1 / 16 W 1608 5% R/TP 4P E24
AR1305	0RRZVTA001D	22 OHM 1 / 16 W 1608 5% R/TP 4P E24
AR1306	0RRZVTA001D	22 OHM 1 / 16 W 1608 5% R/TP 4P E24
AR700	0RRZVTA001D	22 OHM 1 / 16 W 1608 5% R/TP 4P E24

For Capacitor & Resistors, the characters at 2nd and 3rd digit in the P/No. means as follows;	CC, CX, CK, CN : Ceramic CQ : Polyester CE : Electrolytic	RD : Carbon Film RS : Metal Oxide Film RN : Metal Film RF : Fusible
--	---	--

LOCA. NO	PART NO	DESCRIPTION
AR701	0RRZVTA001D	22 OHM 1 / 16 W 1608 5% R/TP 4P E24
AR702	0RRZVTA001D	22 OHM 1 / 16 W 1608 5% R/TP 4P E24
AR703	0RRZVTA001D	22 OHM 1 / 16 W 1608 5% R/TP 4P E24
AR704	0RRZVTA001D	22 OHM 1 / 16 W 1608 5% R/TP 4P E24
AR705	0RRZVTA001D	22 OHM 1 / 16 W 1608 5% R/TP 4P E24
R101	0RD0102H609	10 OHM 1/2 W 5.00% TA52
R230	0RD0331H609	3.3 OHM 1/2 W 5.00% TA52
R618	0RD0152H609	15 OHM 1/2 W 5.00% TA52
<b>LED</b>		
D1003	0DL233309AC	SAM2333 TP GREEN:10MCD, RED:6MCD
D1103	0DL233309AC	SAM2333 TP GREEN:10MCD, RED:6MCD
LED101	6301V00005A	AF05FA WHITE TU-60PY22 LED
<b>SWITCH</b>		
SW1	140-313B	2LEAD 160G(TA) 5V 0.001A HORIZONTAL .G
SW2	140-313B	2LEAD 160G(TA) 5V 0.001A HORIZONTAL .G
SW3	140-313B	2LEAD 160G(TA) 5V 0.001A HORIZONTAL .G
SW4	140-313B	2LEAD 160G(TA) 5V 0.001A HORIZONTAL .G
SW5	6600H000008	KTM-1502D KYUNGIN 12VDC 50MA
SW6	6600H000008	KTM-1502D KYUNGIN 12VDC 50MA
SW700	6600VR1004A	SKHMPW 5P J-ALPS .V .A HORIZONTAL .G
SW800	6600VR1004A	SKHMPW 5P J-ALPS .V .A HORIZONTAL .G
<b>FILTER &amp; CRYSTAL</b>		
L100	6200J000013	MLB-321611-0500P-N2 MAG LAYERS R/TP
L100	6210VC0006A	FBMH3216 HM501NT 3.2X1.6X1.6MM R/TP
L1004	6200J000013	MLB-321611-0500P-N2 MAG LAYERS R/TP
L1005	6200J000013	MLB-321611-0500P-N2 MAG LAYERS R/TP
L1006	6200J000013	MLB-321611-0500P-N2 MAG LAYERS R/TP
L1007	6200J000013	MLB-321611-0500P-N2 MAG LAYERS R/TP
L1008	6200J000013	MLB-321611-0500P-N2 MAG LAYERS R/TP
L1009	6200J000013	MLB-321611-0500P-N2 MAG LAYERS R/TP
L101	6200J000013	MLB-321611-0500P-N2 MAG LAYERS R/TP
L1010	6200J000013	MLB-321611-0500P-N2 MAG LAYERS R/TP
L1011	6200J000013	MLB-321611-0500P-N2 MAG LAYERS R/TP
L1012	6200J000013	MLB-321611-0500P-N2 MAG LAYERS R/TP
L1013	6200J000013	MLB-321611-0500P-N2 MAG LAYERS R/TP
L1014	6200J000013	MLB-321611-0500P-N2 MAG LAYERS R/TP
L1015	6200J000013	MLB-321611-0500P-N2 MAG LAYERS R/TP
L1016	6200J000013	MLB-321611-0500P-N2 MAG LAYERS R/TP
L1017	6200J000013	MLB-321611-0500P-N2 MAG LAYERS R/TP
L1018	6200J000013	MLB-321611-0500P-N2 MAG LAYERS R/TP
L1019	6200J000013	MLB-321611-0500P-N2 MAG LAYERS R/TP
L102	6210VC0006A	FBMH3216 HM501NT 3.2X1.6X1.6MM R/TP
L1020	6200J000013	MLB-321611-0500P-N2 MAG LAYERS R/TP
L1021	6200J000013	MLB-321611-0500P-N2 MAG LAYERS R/TP
L1022	6200J000013	MLB-321611-0500P-N2 MAG LAYERS R/TP
L1023	6200J000013	MLB-321611-0500P-N2 MAG LAYERS R/TP
L1024	6200J000013	MLB-321611-0500P-N2 MAG LAYERS R/TP
L103	6210VC0006A	FBMH3216 HM501NT 3.2X1.6X1.6MM R/TP
L104	6210VC0006A	FBMH3216 HM501NT 3.2X1.6X1.6MM R/TP

LOCA. NO	PART NO	DESCRIPTION
L110	6200J000013	MLB-321611-0500P-N2 MAG LAYERS R/TP
L1105	6200J000013	MLB-321611-0500P-N2 MAG LAYERS R/TP
L1106	6200J000013	MLB-321611-0500P-N2 MAG LAYERS R/TP
L1107	6200J000013	MLB-321611-0500P-N2 MAG LAYERS R/TP
L1108	6200J000013	MLB-321611-0500P-N2 MAG LAYERS R/TP
L1109	6200J000013	MLB-321611-0500P-N2 MAG LAYERS R/TP
L111	6200J000013	MLB-321611-0500P-N2 MAG LAYERS R/TP
L1110	6200J000013	MLB-321611-0500P-N2 MAG LAYERS R/TP
L1111	6200J000013	MLB-321611-0500P-N2 MAG LAYERS R/TP
L1112	6200J000013	MLB-321611-0500P-N2 MAG LAYERS R/TP
L1113	6200J000013	MLB-321611-0500P-N2 MAG LAYERS R/TP
L1115	6200J000013	MLB-321611-0500P-N2 MAG LAYERS R/TP
L1116	6200J000013	MLB-321611-0500P-N2 MAG LAYERS R/TP
L1117	6200J000013	MLB-321611-0500P-N2 MAG LAYERS R/TP
L1118	6200J000013	MLB-321611-0500P-N2 MAG LAYERS R/TP
L1119	6200J000013	MLB-321611-0500P-N2 MAG LAYERS R/TP
L1120	6200J000013	MLB-321611-0500P-N2 MAG LAYERS R/TP
L1121	6200J000013	MLB-321611-0500P-N2 MAG LAYERS R/TP
L1122	6200J000013	MLB-321611-0500P-N2 MAG LAYERS R/TP
L1123	6200J000013	MLB-321611-0500P-N2 MAG LAYERS R/TP
L1125	6200J000013	MLB-321611-0500P-N2 MAG LAYERS R/TP
L1126	6200J000013	MLB-321611-0500P-N2 MAG LAYERS R/TP
L1127	6200J000013	MLB-321611-0500P-N2 MAG LAYERS R/TP
L1128	6200J000013	MLB-321611-0500P-N2 MAG LAYERS R/TP
L1129	6200J000013	MLB-321611-0500P-N2 MAG LAYERS R/TP
L113	6210VC0006A	FBMH3216 HM501NT 3.2X1.6X1.6MM R/TP
L114	6200JB8010L	MLB-201209-1000L-N2 MAG LAYERS R/TP
L115	6200JB8010L	MLB-201209-1000L-N2 MAG LAYERS R/TP
L119	6200JB8010L	MLB-201209-1000L-N2 MAG LAYERS R/TP
L120	6200JB8010L	MLB-201209-1000L-N2 MAG LAYERS R/TP
L1204	6200J000013	MLB-321611-0500P-N2 MAG LAYERS R/TP
L1205	6200J000013	MLB-321611-0500P-N2 MAG LAYERS R/TP
L1206	6200J000013	MLB-321611-0500P-N2 MAG LAYERS R/TP
L1207	6200J000013	MLB-321611-0500P-N2 MAG LAYERS R/TP
L1208	6200J000013	MLB-321611-0500P-N2 MAG LAYERS R/TP
L1209	6200J000013	MLB-321611-0500P-N2 MAG LAYERS R/TP
L121	6200J000013	MLB-321611-0500P-N2 MAG LAYERS R/TP
L122	6210VC0005A	BK2125 HS 750 2X1.25X0.85MM R/TP
L123	6210VC0005A	BK2125 HS 750 2X1.25X0.85MM R/TP
L124	6210VC0005A	BK2125 HS 750 2X1.25X0.85MM R/TP
L125	6210VC0005A	BK2125 HS 750 2X1.25X0.85MM R/TP
L126	6210VC0005A	BK2125 HS 750 2X1.25X0.85MM R/TP
L200	6200J000013	MLB-321611-0500P-N2 MAG LAYERS R/TP
L201	6200J000013	MLB-321611-0500P-N2 MAG LAYERS R/TP
L202	6200J000013	MLB-321611-0500P-N2 MAG LAYERS R/TP
L203	6200J000013	MLB-321611-0500P-N2 MAG LAYERS R/TP
L204	6200J000013	MLB-321611-0500P-N2 MAG LAYERS R/TP
L300	6200J000013	MLB-321611-0500P-N2 MAG LAYERS R/TP
L301	6200J000013	MLB-321611-0500P-N2 MAG LAYERS R/TP
L302	6200JB8010L	MLB-201209-1000L-N2 MAG LAYERS R/TP
L400	6200J000013	MLB-321611-0500P-N2 MAG LAYERS R/TP
L401	6200J000013	MLB-321611-0500P-N2 MAG LAYERS R/TP



LOCA. NO	PART NO	DESCRIPTION
L403	6200J000013	MLB-321611-0500P-N2 MAG LAYERS R/TP
L405	6200J000013	MLB-321611-0500P-N2 MAG LAYERS R/TP
L500	6200J000013	MLB-321611-0500P-N2 MAG LAYERS R/TP
L501	6200VJT006A	STC222D NIIGATA 50VOLT 4A 2200PF
L502	6200JB8010L	MLB-201209-1000L-N2 R/TP 1000OHM
L502	6200VJT006A	STC222D NIIGATA 50VOLT 4A 2200PF
L503	6200JB8010L	MLB-201209-1000L-N2 MAG LAYERS R/TP
L506	6200J000013	MLB-321611-0500P-N2 MAG LAYERS R/TP
L604	6200J000013	MLB-321611-0500P-N2 MAG LAYERS R/TP
L606	6200J000013	MLB-321611-0500P-N2 MAG LAYERS R/TP
L607	6200J000013	MLB-321611-0500P-N2 MAG LAYERS R/TP
L803	6200J000013	MLB-321611-0500P-N2 MAG LAYERS R/TP
L805	6200J000013	MLB-321611-0500P-N2 MAG LAYERS R/TP
X101	6202VDT002A	RESONATOR,CRYSTAL SX-1SMD 12.0MHZ
X102	6212AB2851A	RESONATOR,CRYSTAL ABL5-18.5625MHZ
X1200	6212AB2845A	RESONATOR,CRYSTAL ABL5-27.000MHZ
X300	166-E02F	RESONATOR,CERAMIC CSBLA500KECF09-B0
X400	156-A02M	RESONATOR,CRYSTAL HC49U 18.432MHZ
X700	6212AB2844A	RESONATOR,CRYSTAL ABL5-19.6608MHZ
X800	6212AB2844A	RESONATOR,CRYSTAL ABL5-19.6608MHZ
<b>JACK</b>		
JK100	6612J00043C	UPJ-R1-031 S/T,SCART,SHIELD,SPRING
JK101	6612J00043C	UPJ-R1-031 S/T,SCART,SHIELD,SPRING
JK102	6612J00043C	UPJ-R1-031 S/T,SCART,SHIELD,SPRING
JK102	6613V00026A	UJB-03-28A 6613V00004S
JK103	6612J10012A	UJB-05-02C COMPONENT GR/BL/RD/WH/RD
JK104	6612J00038B	UJB-03-25B 6612J00038A+RED S/W+SHIELD
JK1200	6612B00015B	DC1R019WDH JAE 0.5MM,19PIN+2PIN
JK400	6612J00037A	UJB-02-12A 2P RCA VERTICAL+SHIELD
JK502	6612F00087A	UEJ-CV-032 EAR JACK 10MM
JK600	6612F00087A	UEJ-CV-032 EAR JACK 10MM
<b>ACCESSORIES</b>		
A1	38289U0562N	MANUAL, USER 142D-TX 061B
A1	3828VA0558K	MANUAL, USER 16-LANGUAGES 142D TX
A2	6710V00142D	REMOTE CONTROLLER, MF056B 52KEY
A3	6410TLW003A	POWER CORD, LP-42+LS60 SII 2800MM
A3	6410VBH003C	POWER CORD, MP5004(13A)+V1625 BSI 2800MM
A4	4810V00509B	BRACKET, WALL AP-60DA10
A5	4350V00046A	RING, HIPS DN-60PY10
<b>MISCELLANEOUS</b>		
CA1	68509A0001B	CABLE,COAXIAL UL1365AWG26 150MM
CA2	6850J00005D	CABLE,DVI LVDS UL20276 AWG30 800MM
CA3	6850J00005H	CABLE,DVI LVDS UL20276 AWG30 1000MM
CA4	6851V00022C	CABLE,COAXIAL UL1365#26 VW-1 150MM
IC201	692791005AE	SOFT WARE, 1.43V 22E1 H2 PAL EPF 1024X768
IC900	692791082AF	SOFT WARE, 3.06V 098A 1366X768
P100	366-922B	WAFER, IL-G-03P LGC 2.5MM R/A
P100	366-922C	WAFER, IL-G-04P LGC 2.5MM R/A
S1	692791089AC	SOFT WARE, 3.02V B302 1366X768

LOCA. NO	PART NO	DESCRIPTION
TU200	6700MF0012B	TUNER, TAFM-W102P FS PHONO SUB
TU201	6700MF0012A	TUNER, TAUM-W101P FS PHONO MAIN