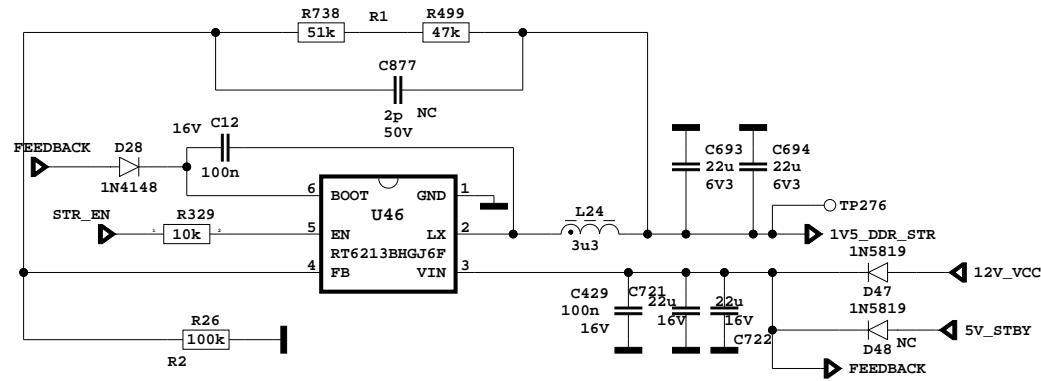
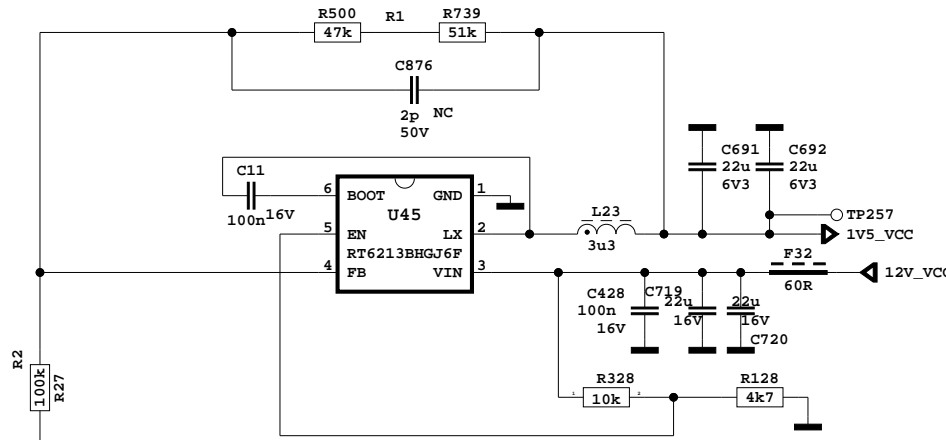


1V5_DDR_STR W/FAST POWER ON

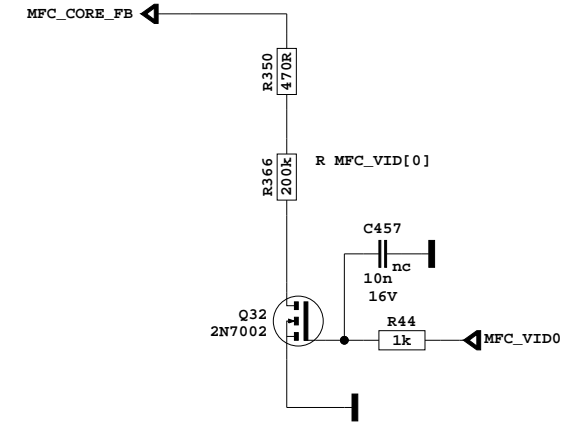


$V_{out} = 0.765 \times (1 + (R1/R2))$
 $R1 = 98k$ $R2 = 100k$
 30091220
 TPS562200 ADJ/2A SOT23

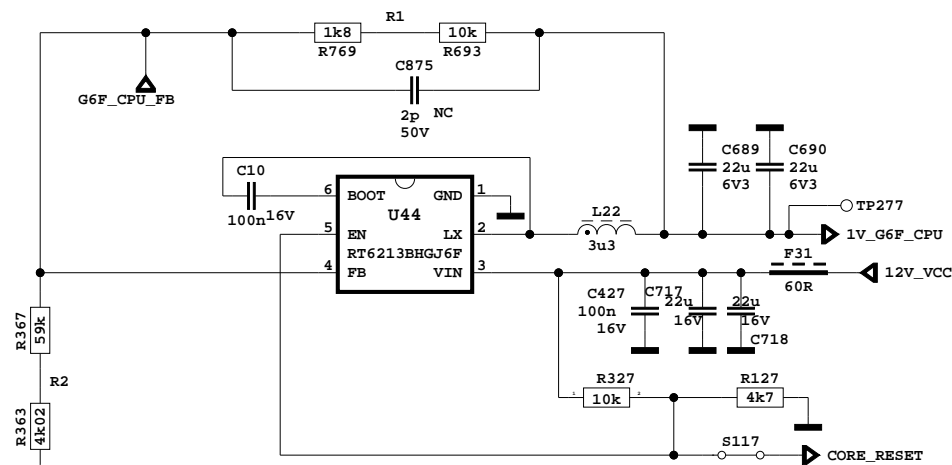
1V5_VCC



$V_{out} = 0.765 \times (1 + (R1/R2))$
 $R1 = 98k$ $R2 = 100k$ TPS563200 ADJ/3A SOT23

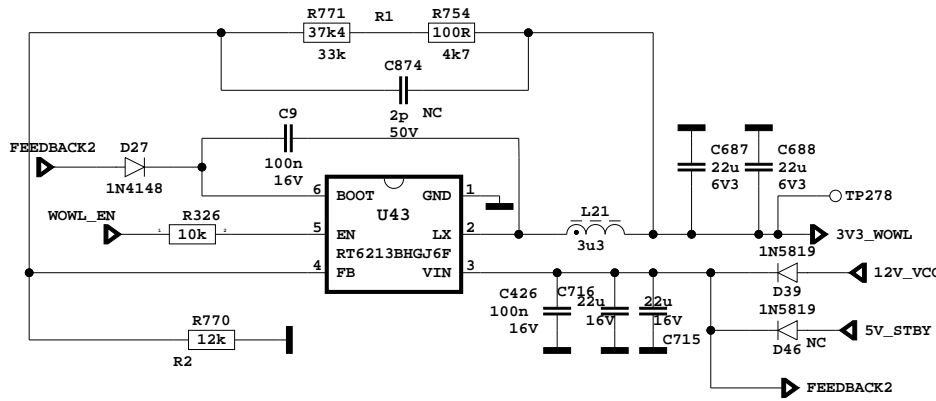


1V_G6F_CPU



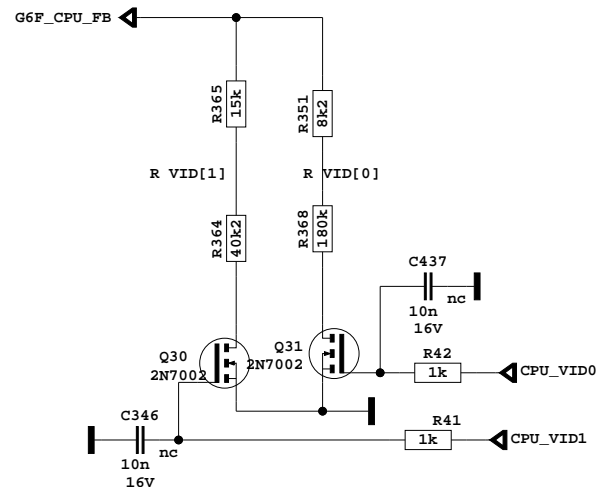
$V_{out} = 0.765 \times (1 + (R1/R2))$
 $R1 = 11k8$ $R2 = 63k$ TPS563200 ADJ/3A SOT23

3V3_WOWL W/WOWL

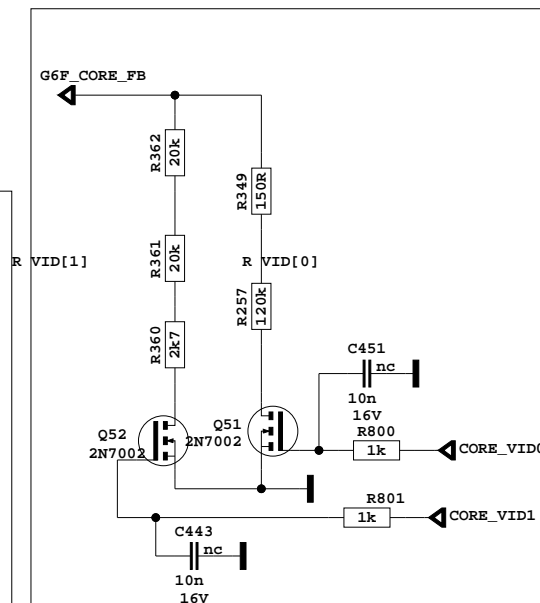


$V_{out} = 0.765 \times (1 + (R1/R2))$
 $R1 = 37k5$ $R2 = 12k$
 30091220
 TPS562200 ADJ/2A SOT23

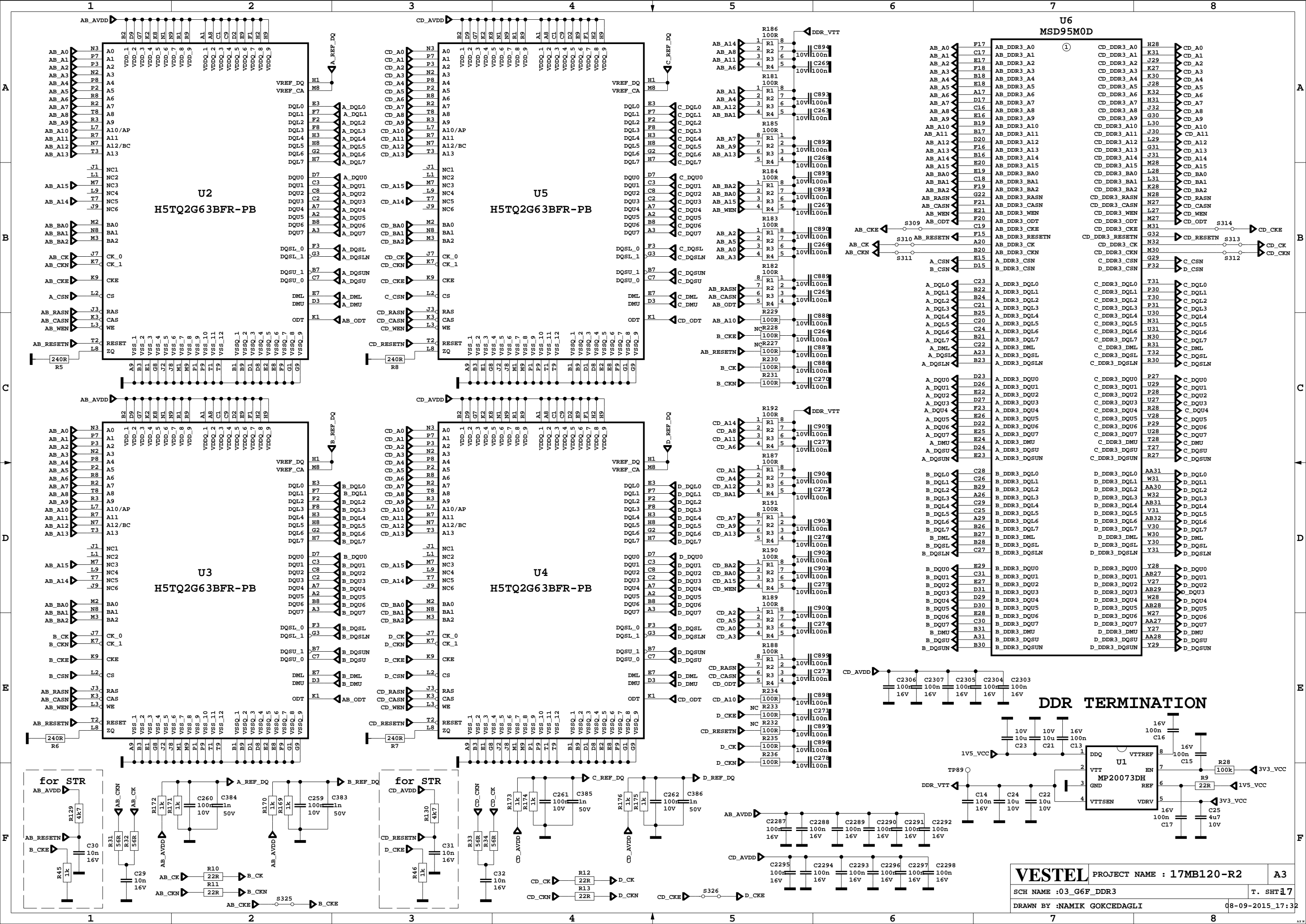
MFC_VID[0]	R2	Vout
L	17k1	0,95 V
H	14k6	1,01 V



VID[0]	VID[1]	R2	Vout
L	L	63k	0,95 V
L	H	47k2	1 V
H	L	29k5	1,12 V
H	H	24k2	1,19 V



VID[0]	VID[1]	R2	Vout
L	L	17k1	0,95 V
L	H	15k	1 V
H	L	12k2	1,09 V
H	H	10k9	1,15 V



U2
H5TQ2G63BFR-PB

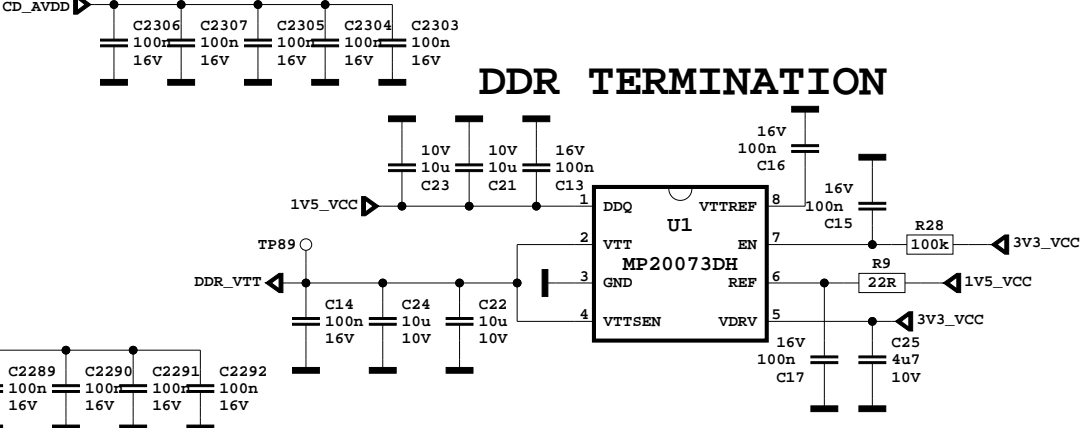
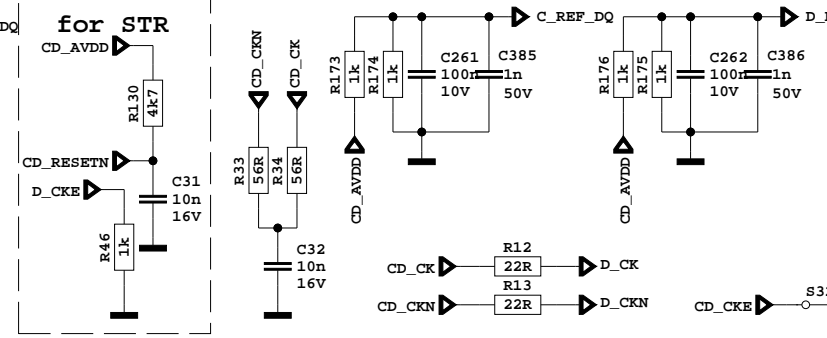
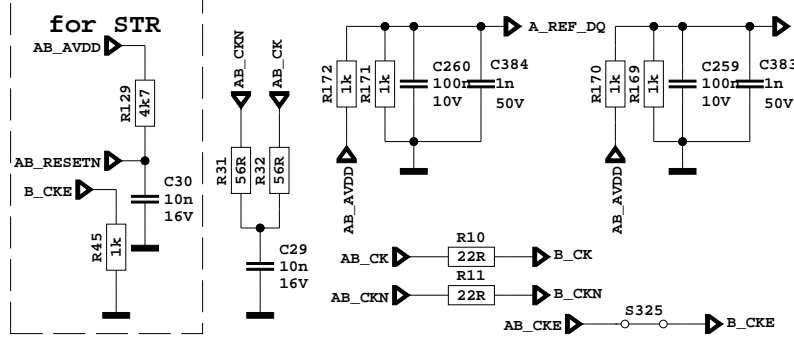
U5
H5TQ2G63BFR-PB

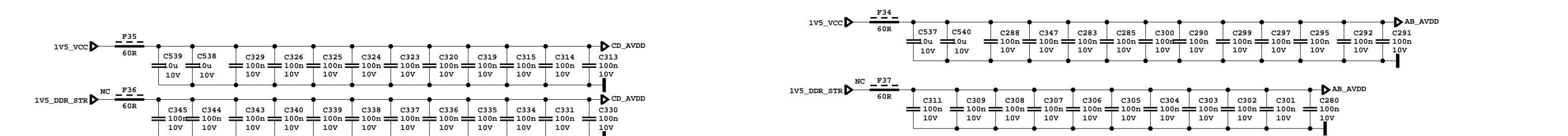
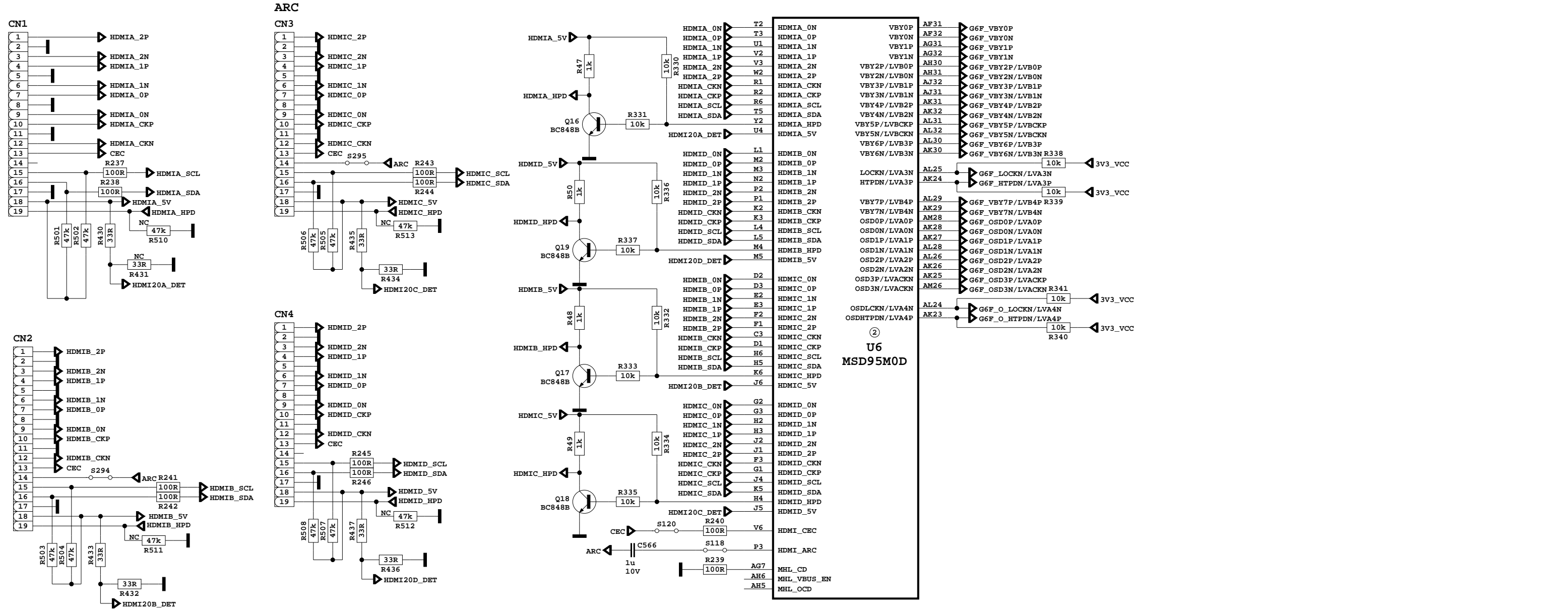
U6
MSD95M0D

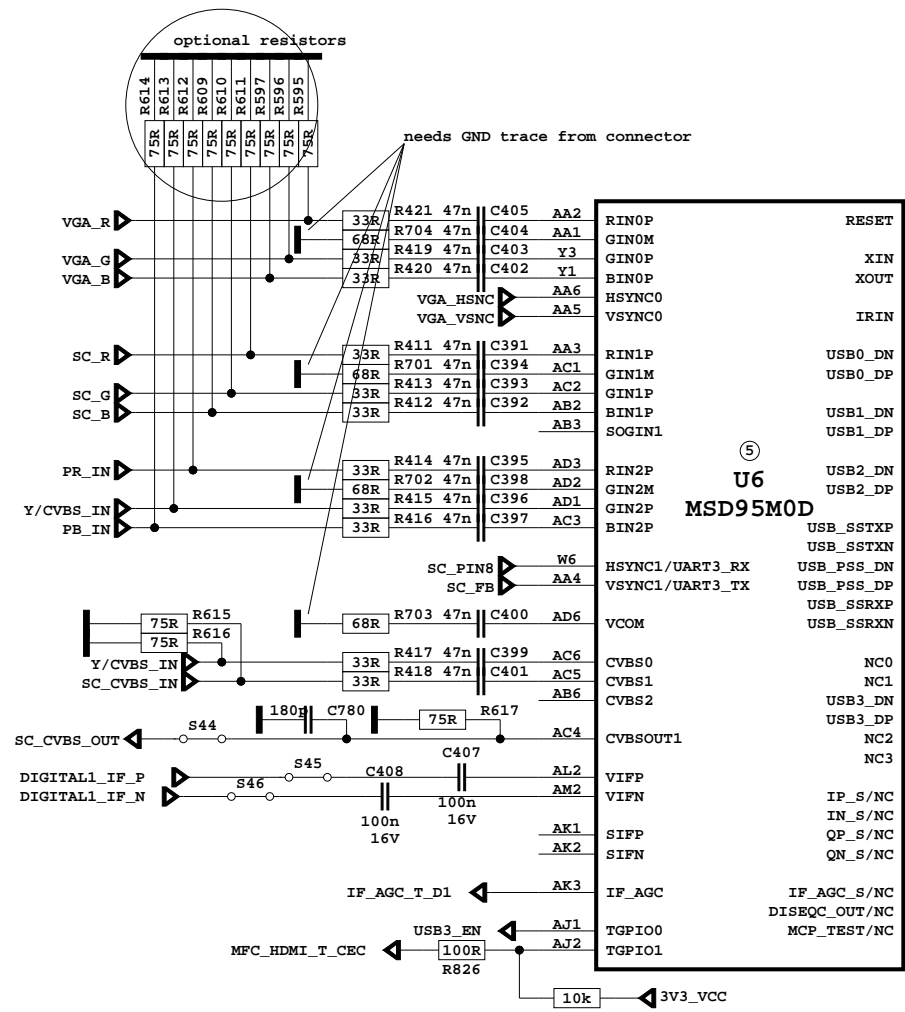
U3
H5TQ2G63BFR-PB

U4
H5TQ2G63BFR-PB

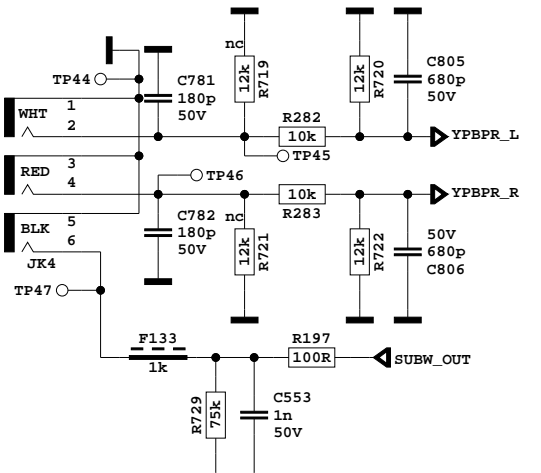
DDR TERMINATION



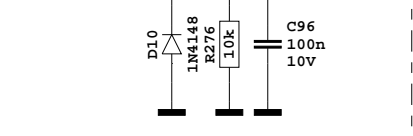




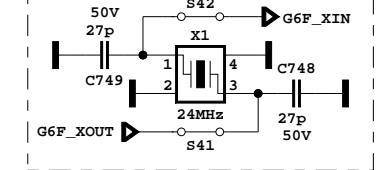
YPBPR/CVBS/VGA AUDIO INPUT / SUBW



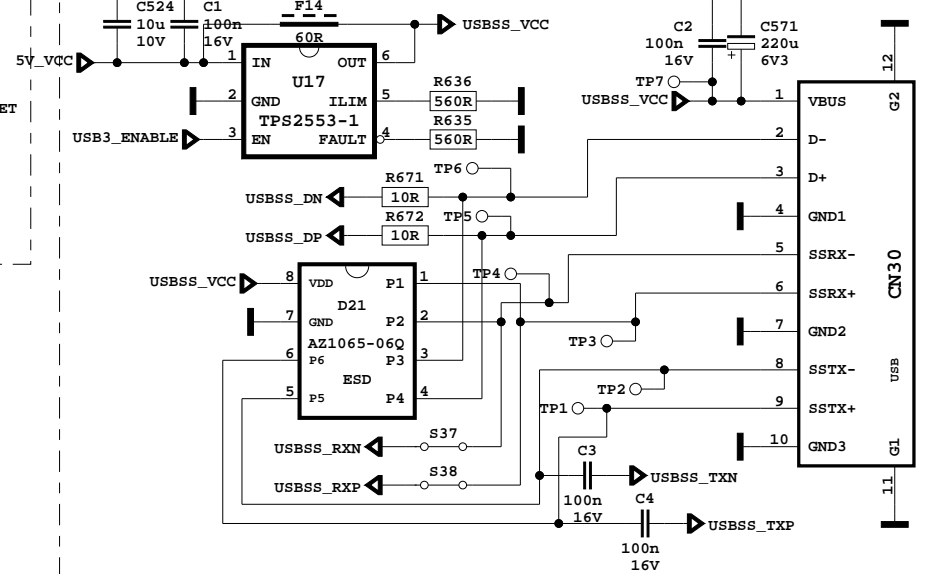
RESET



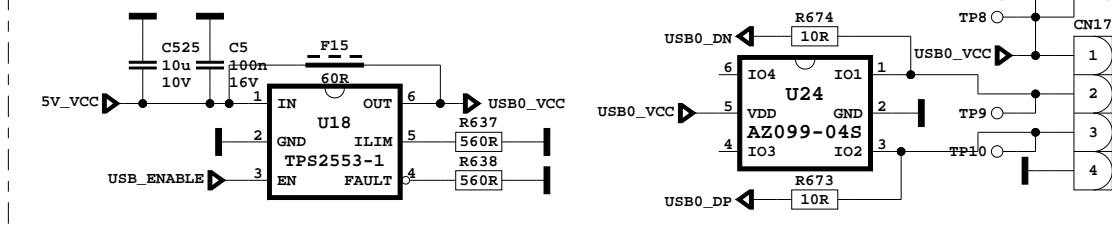
G6F XTAL



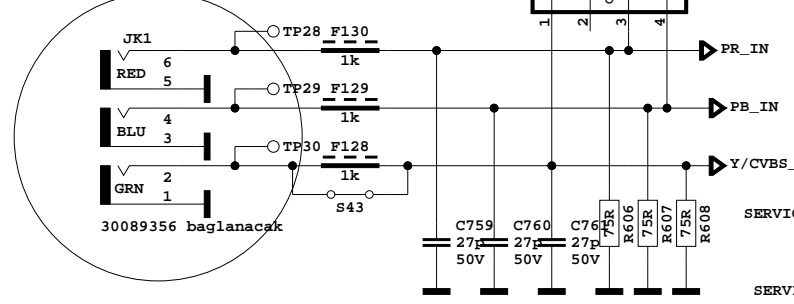
USB3.0 PORT



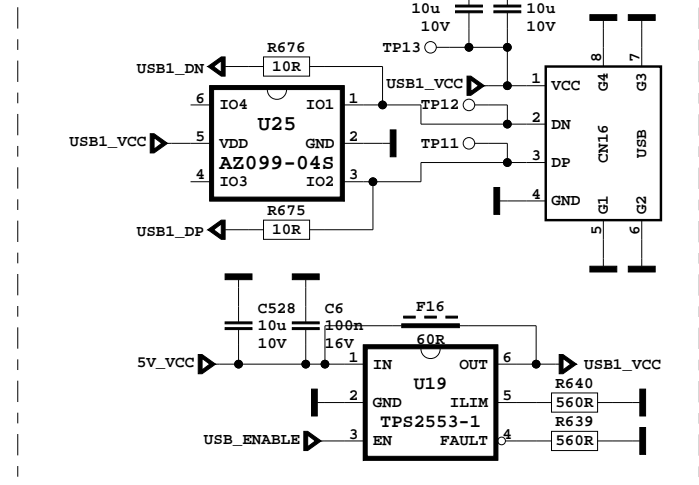
SIDE USB2.0



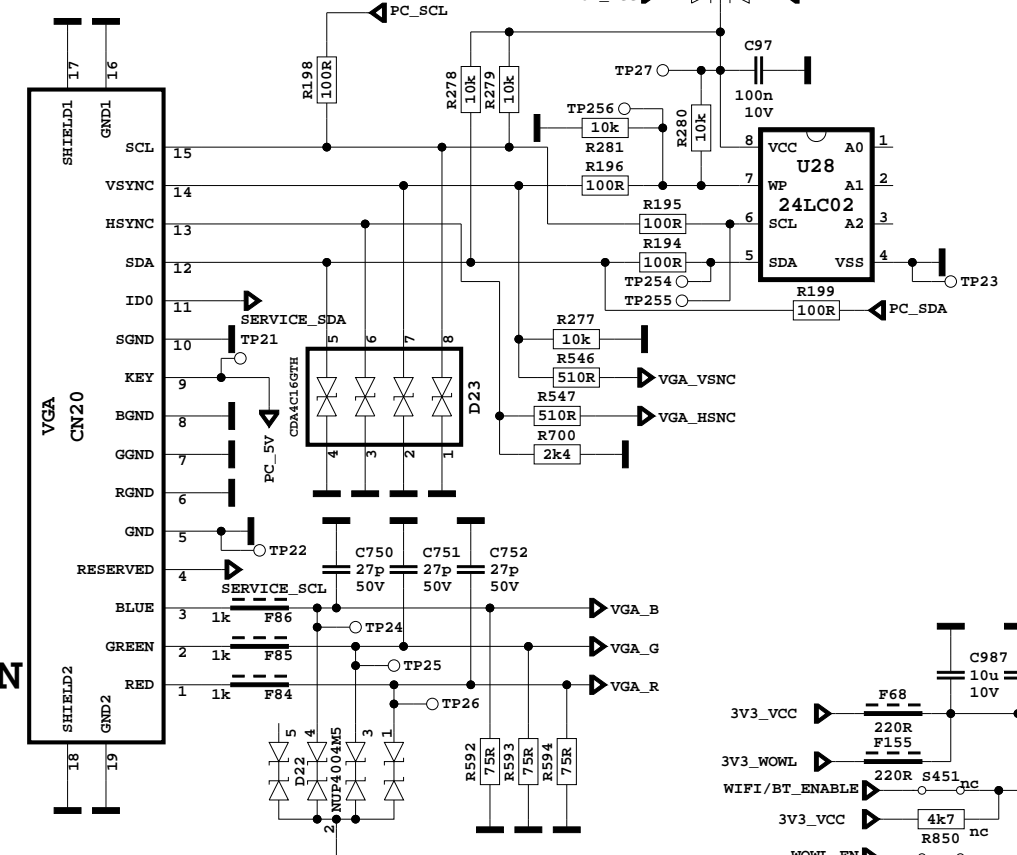
Y/CVBS-PB-PR INPUT



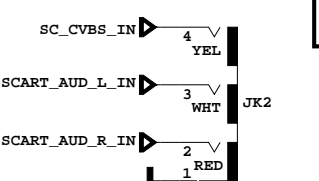
BACK USB2.0



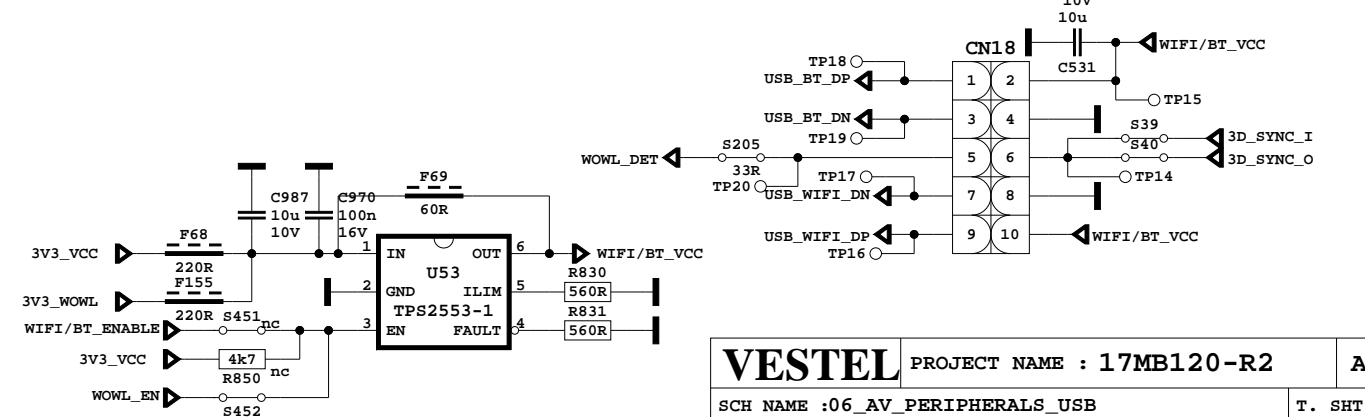
VGA INPUT

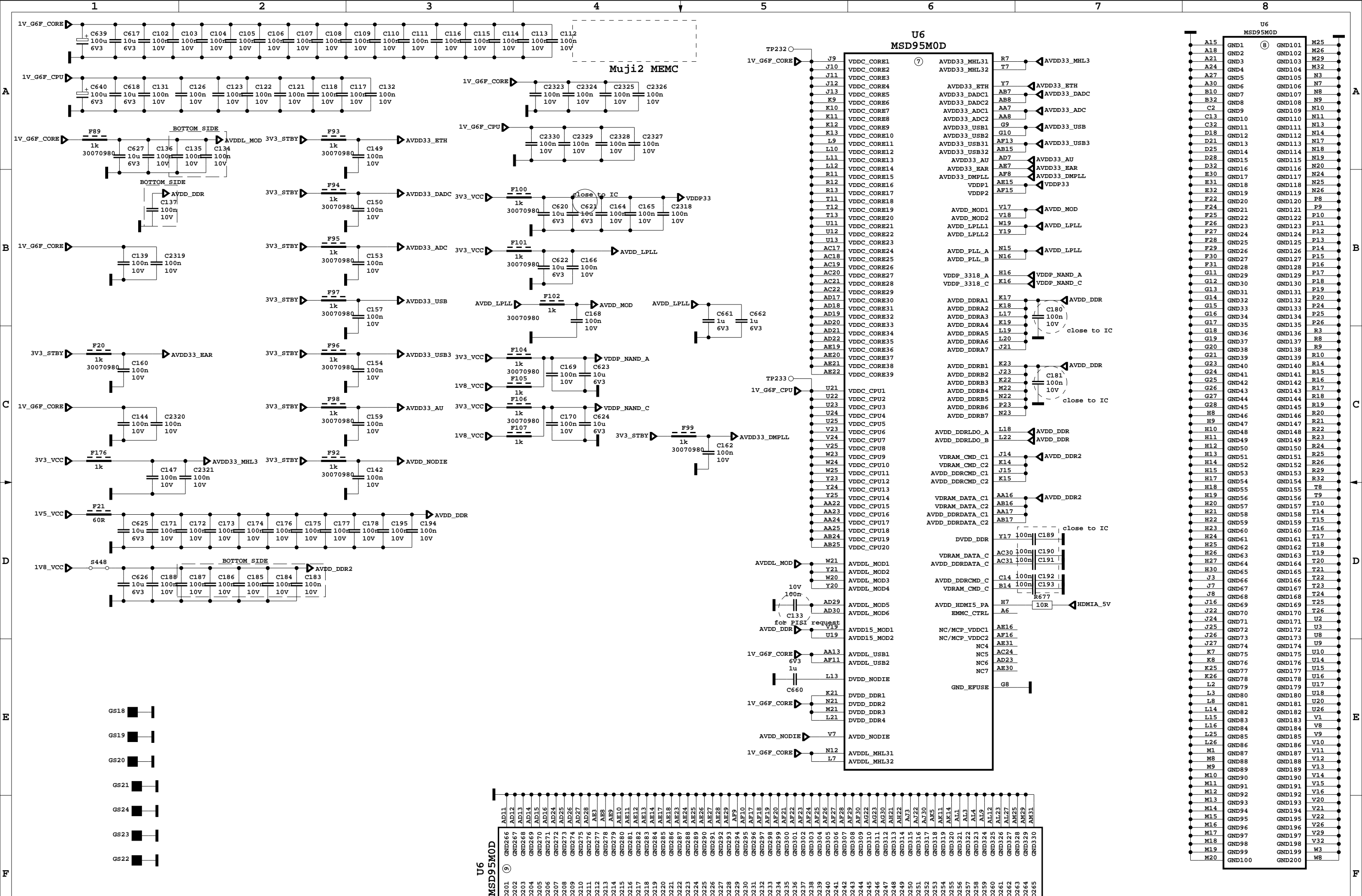


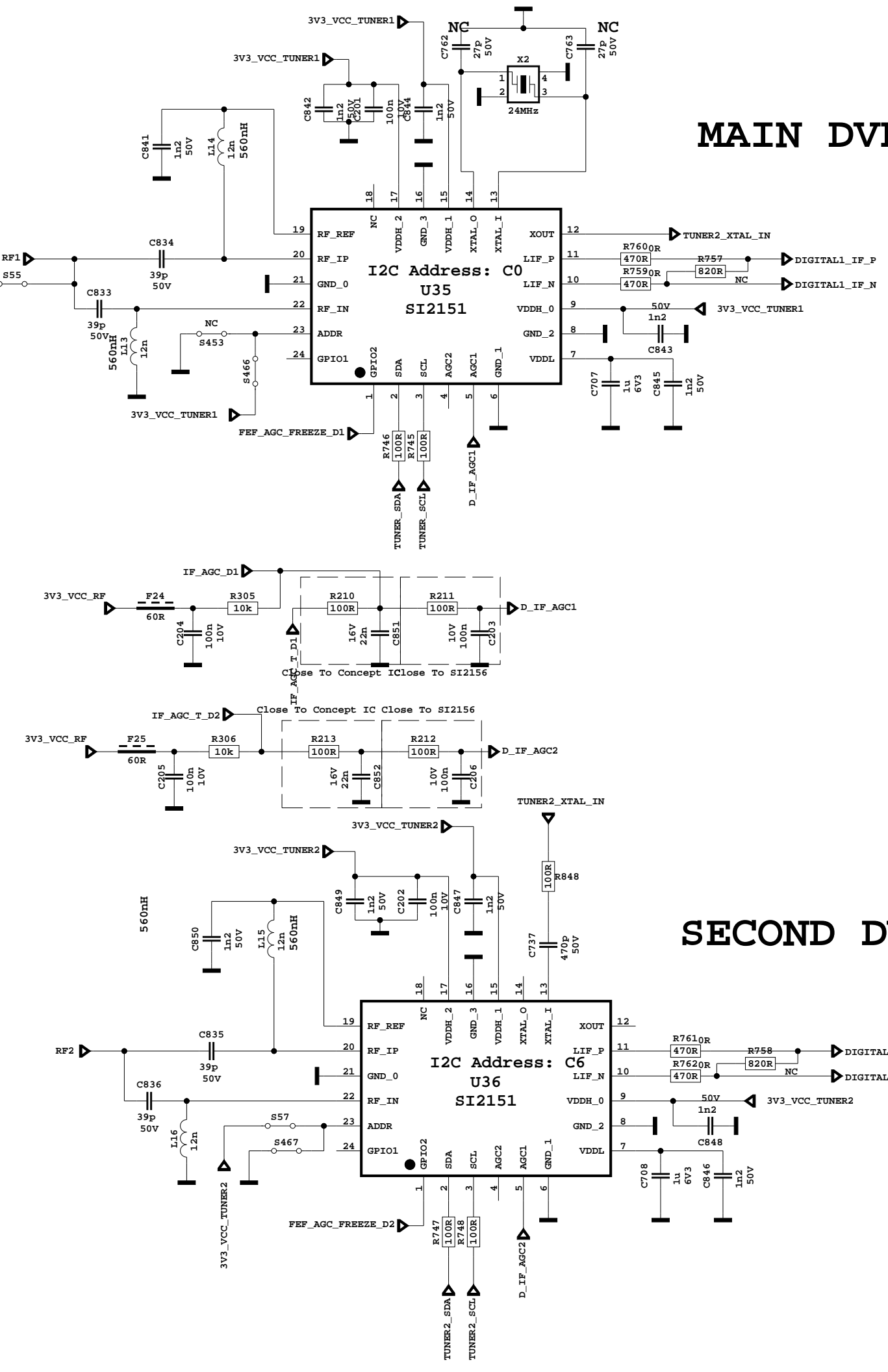
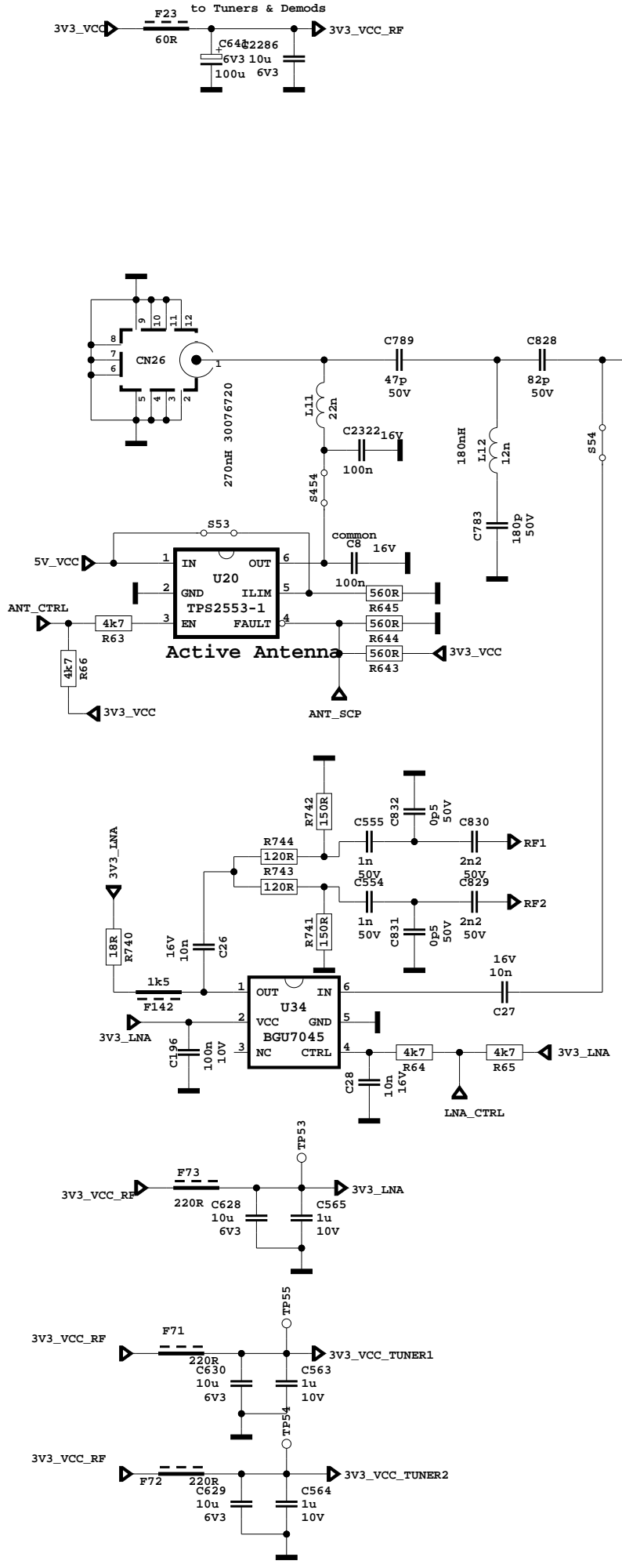
BAV OPTION

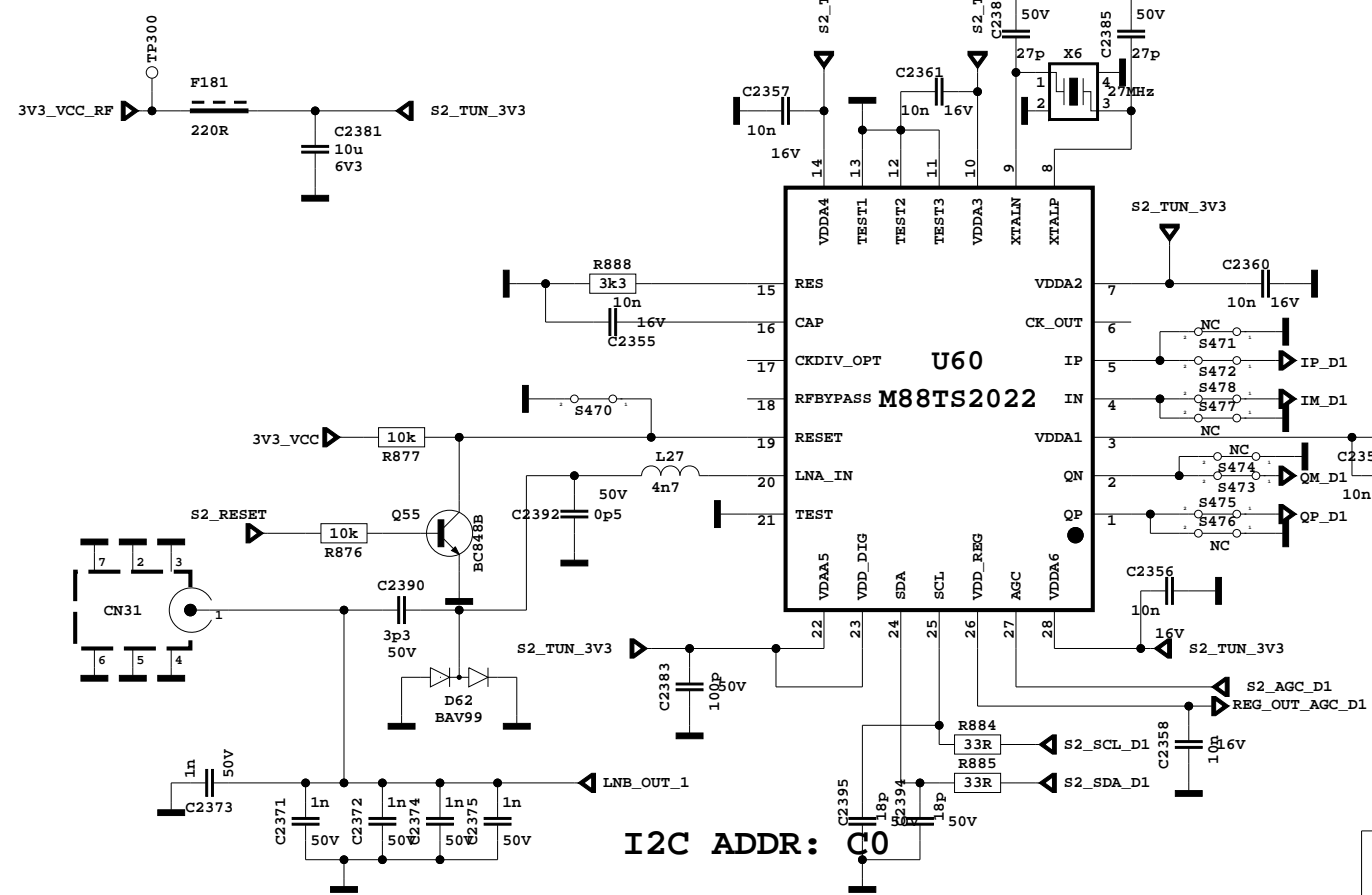


INTERNAL WIFI BT



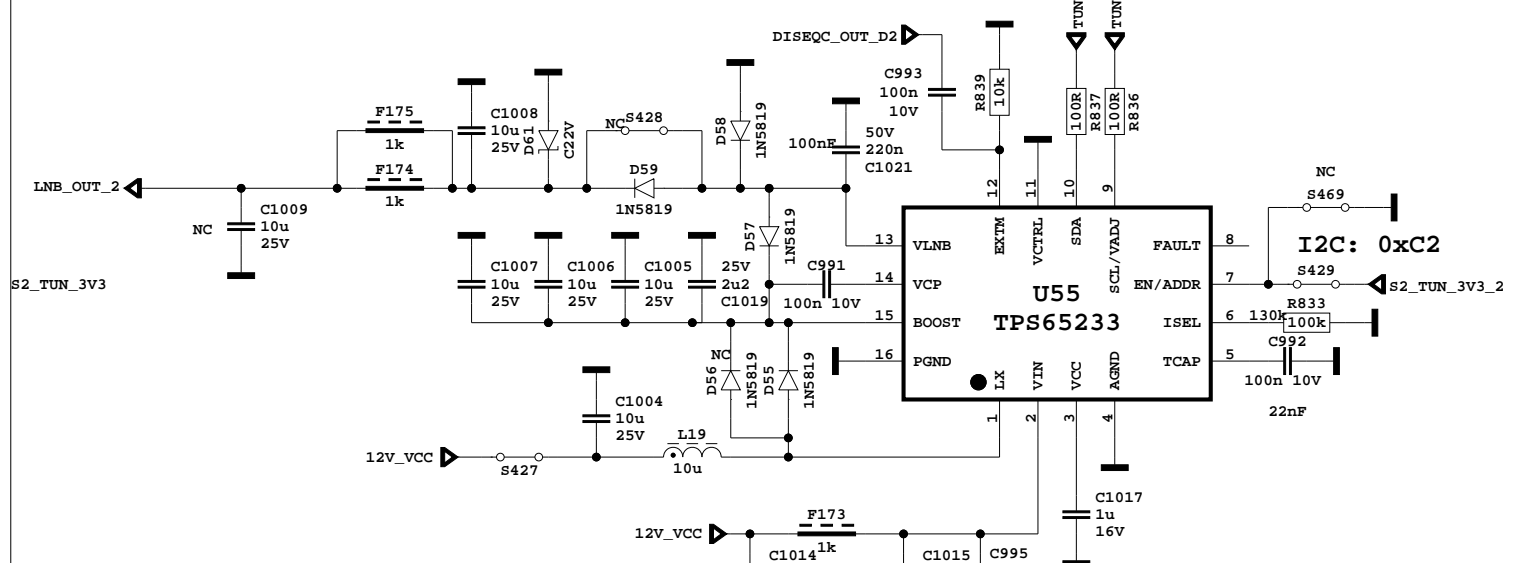
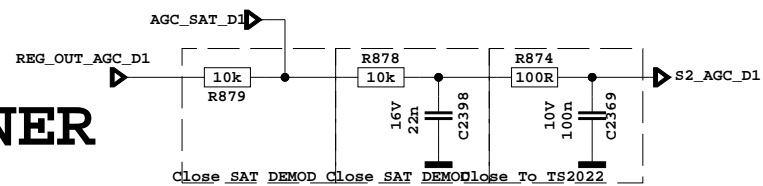






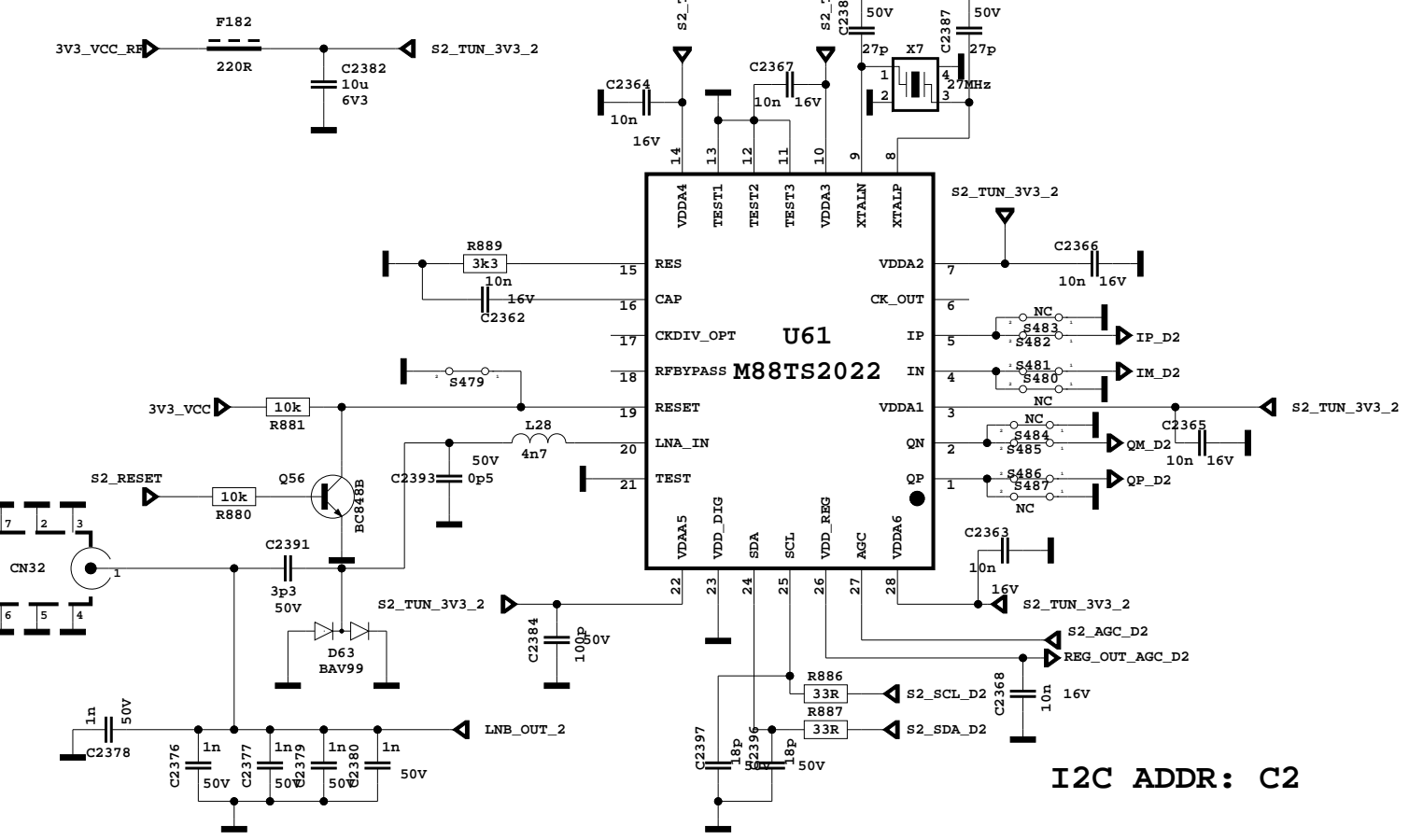
MAIN SAT TUNER

I2C ADDR: 00



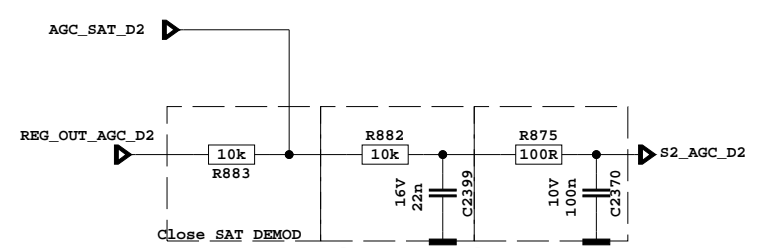
SECOND SAT TUNER OPTION

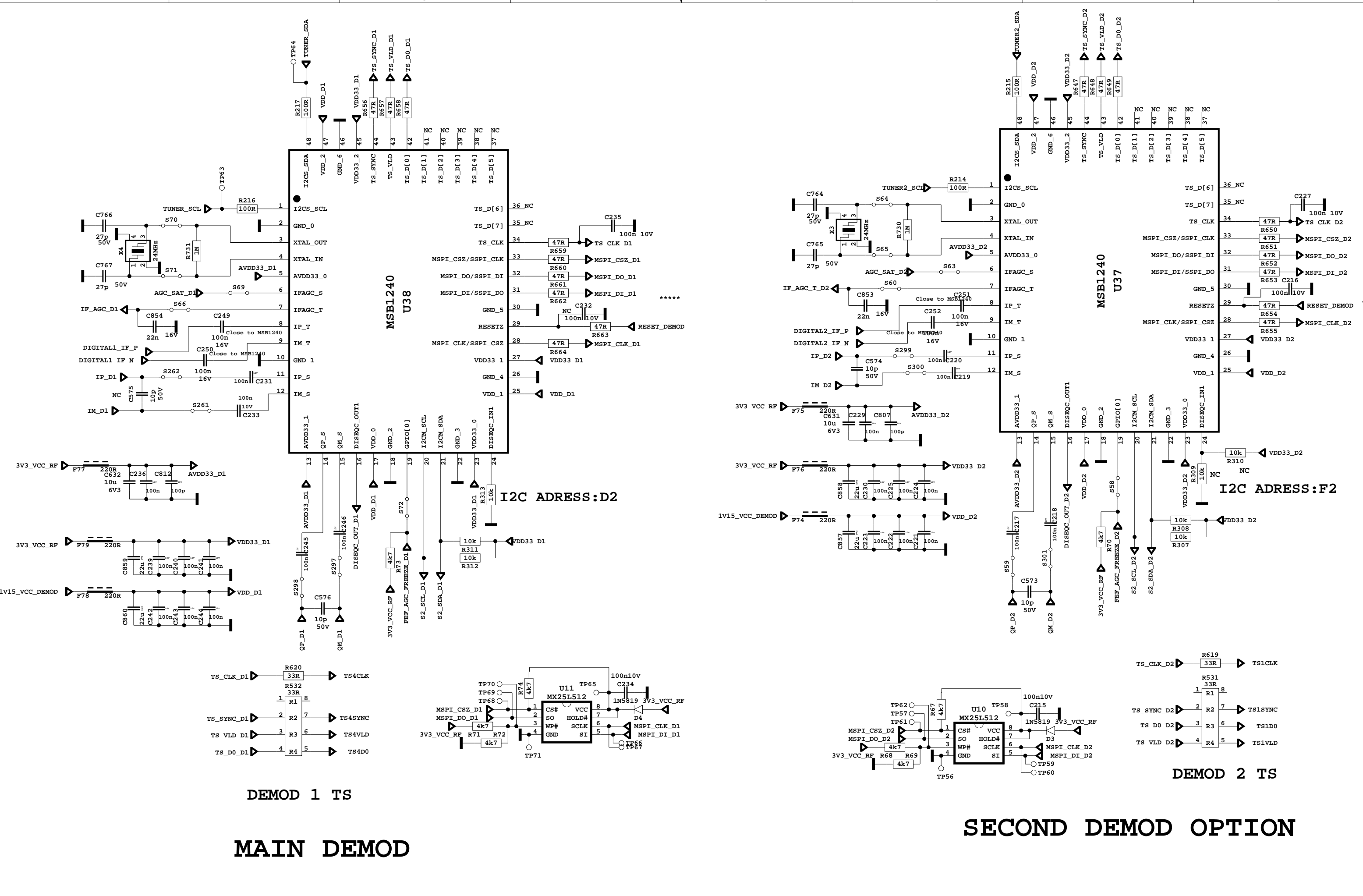
SAT Tuner2



I2C: 0xC2

I2C ADDR: C2

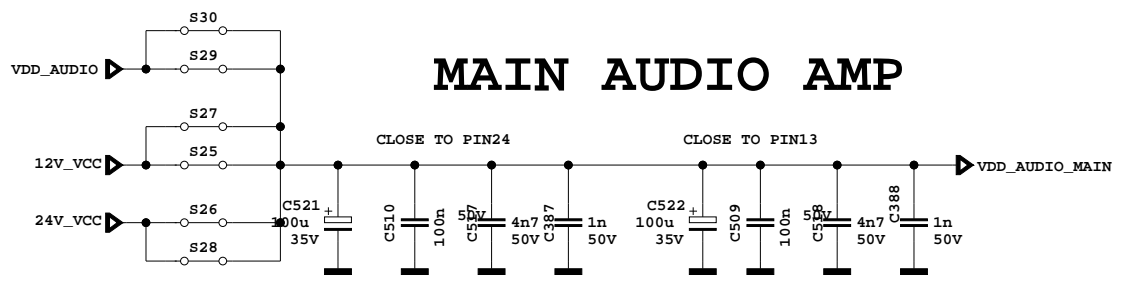




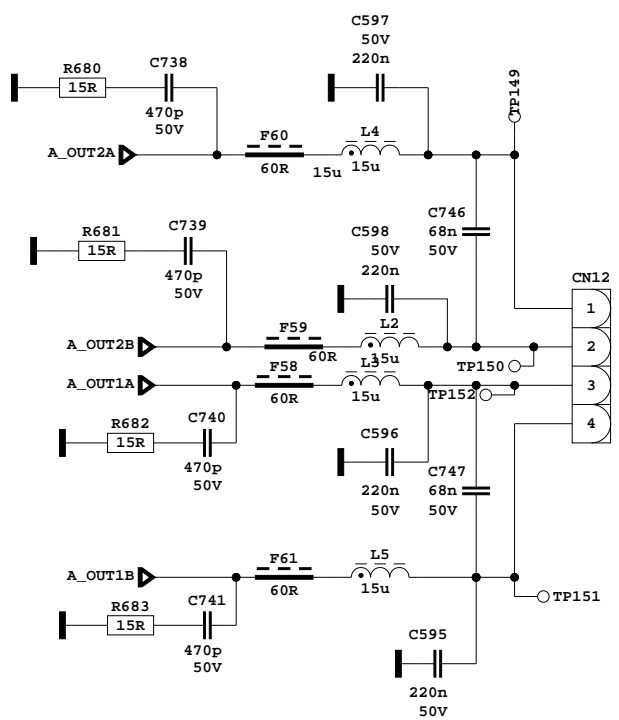
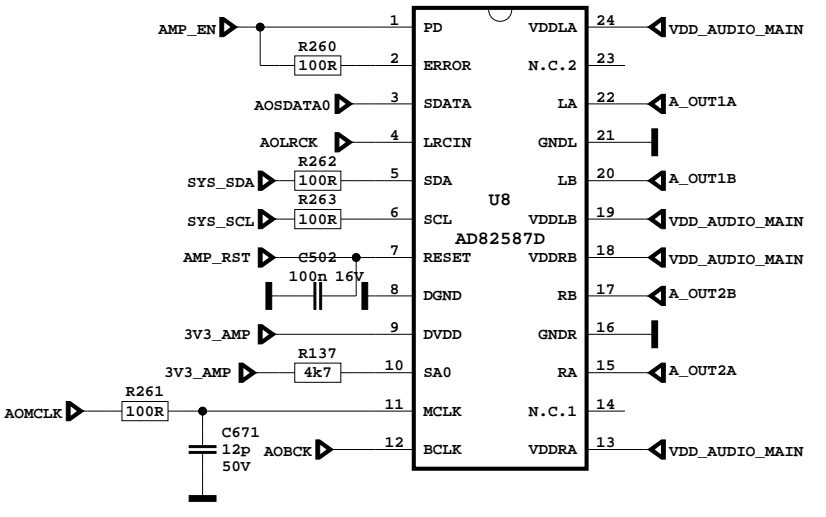
DEMOM 1 TS
MAIN DEMOD

SECOND DEMOD OPTION

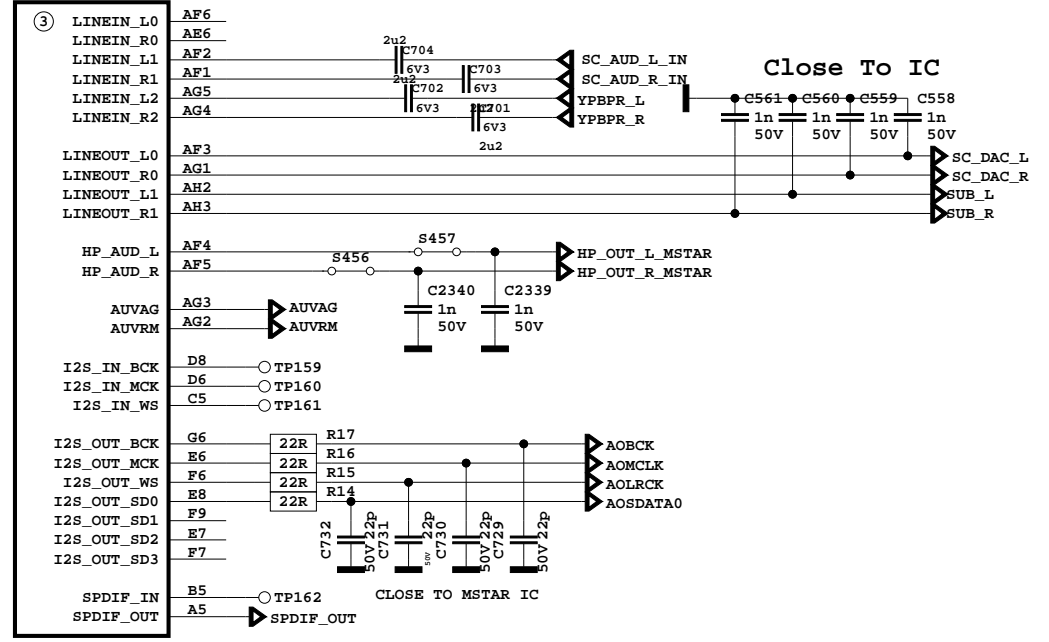
DEMOM 2 TS



MAIN AUDIO AMP

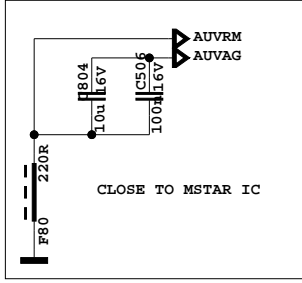


U6 MSD95M0D

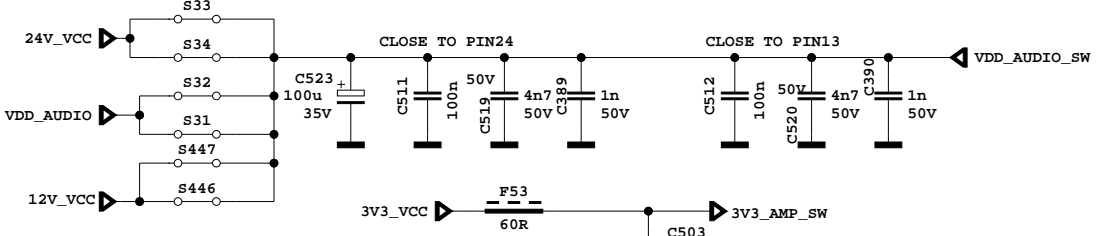
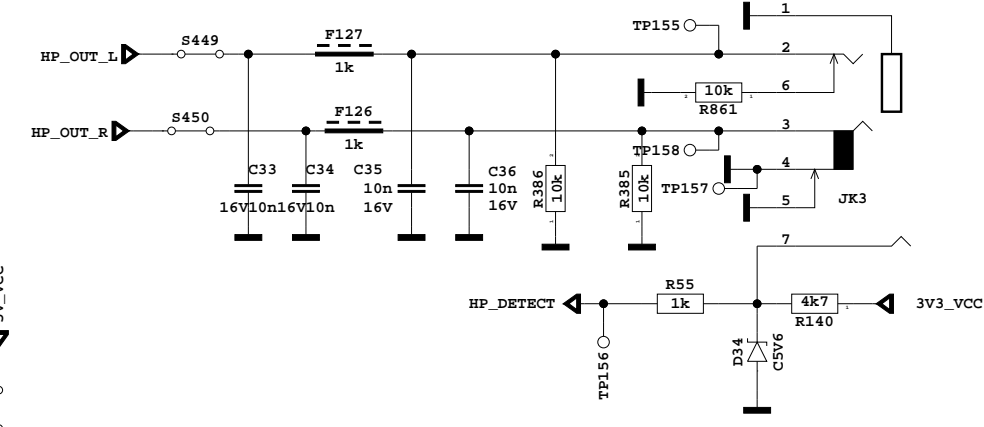


Close To IC

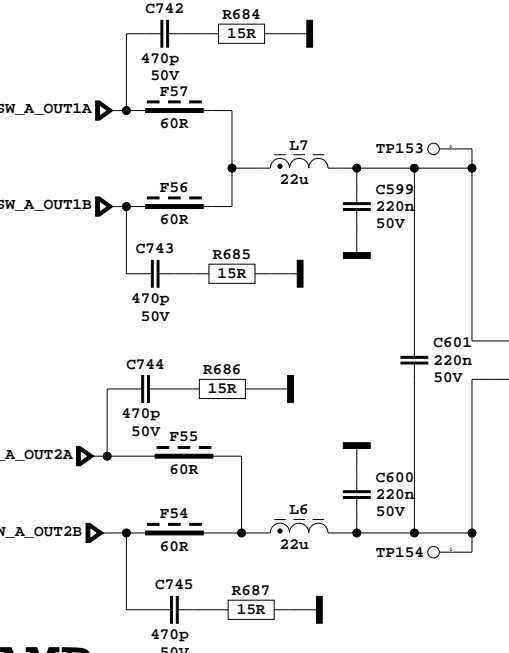
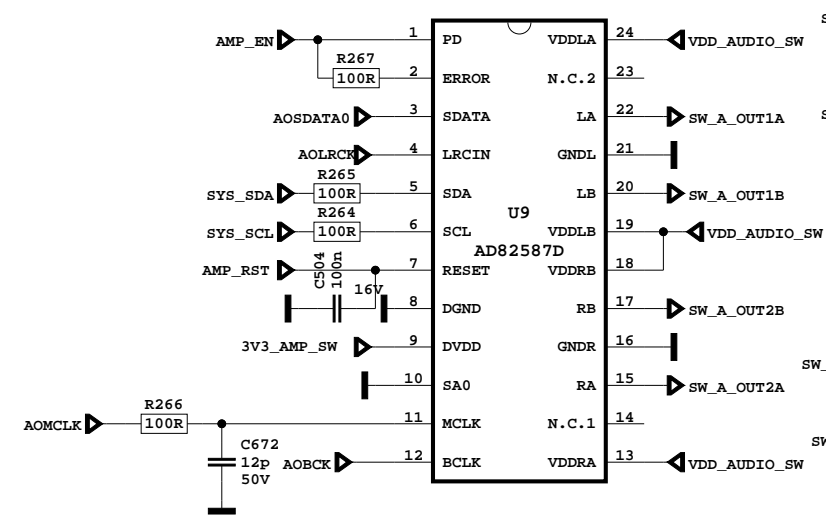
TOP LAYER



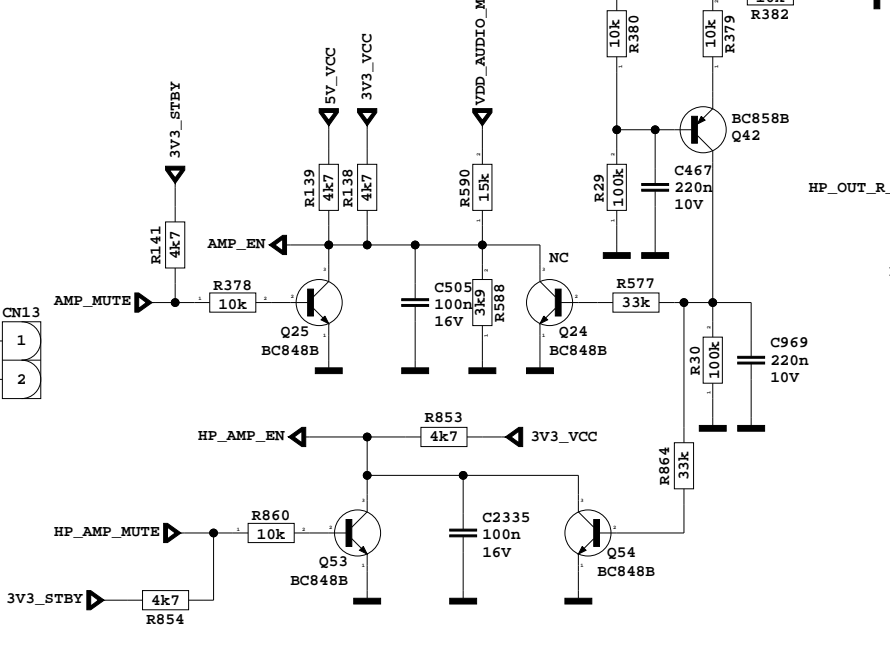
HEADPHONE OUTPUT



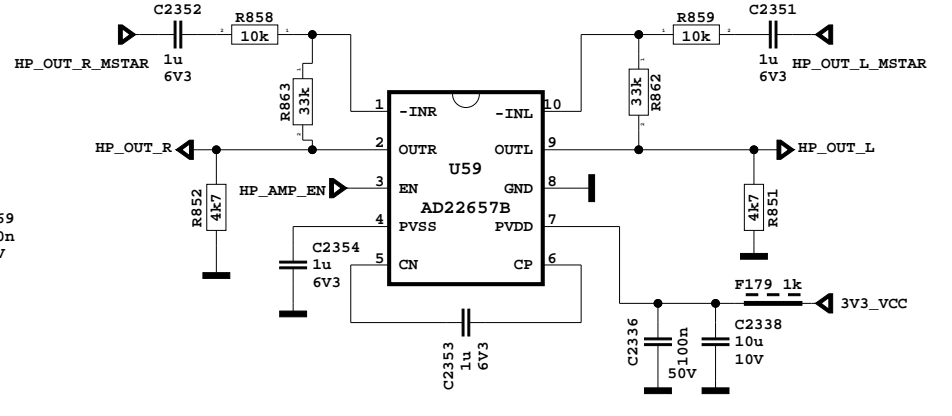
SUBWOOFER AUDIO AMP

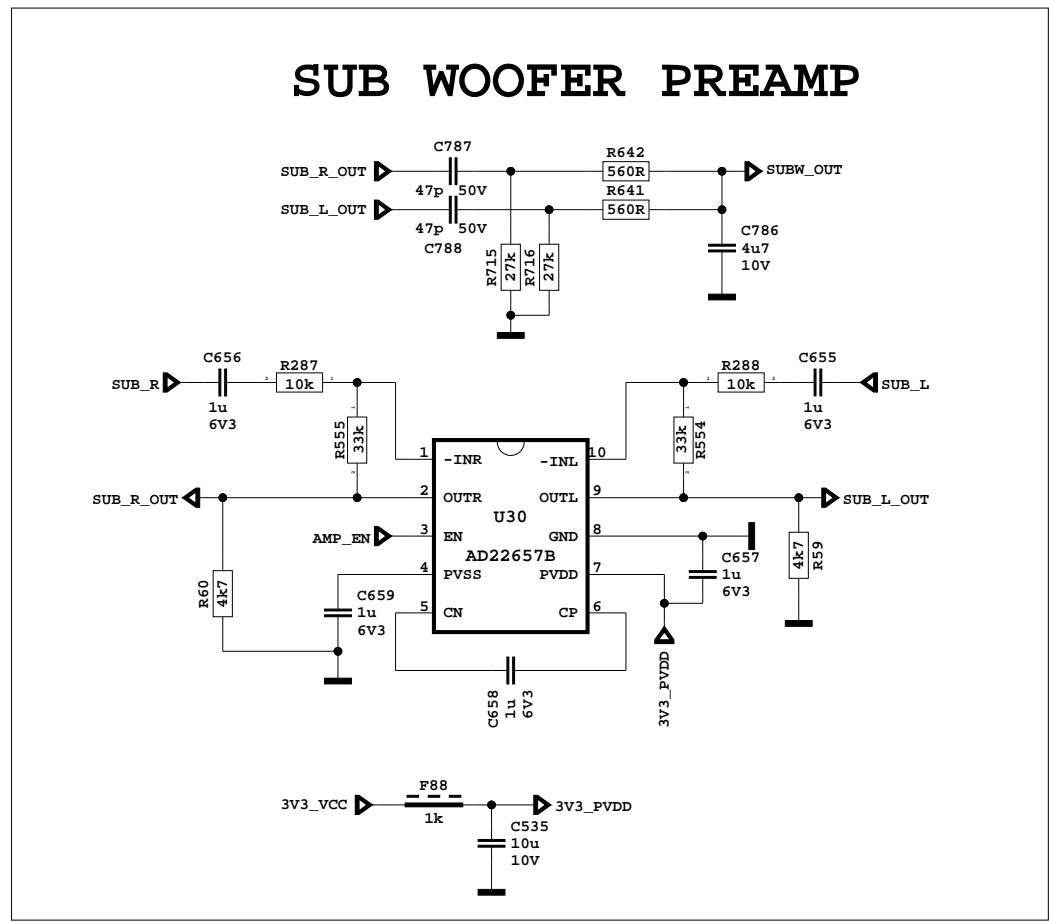
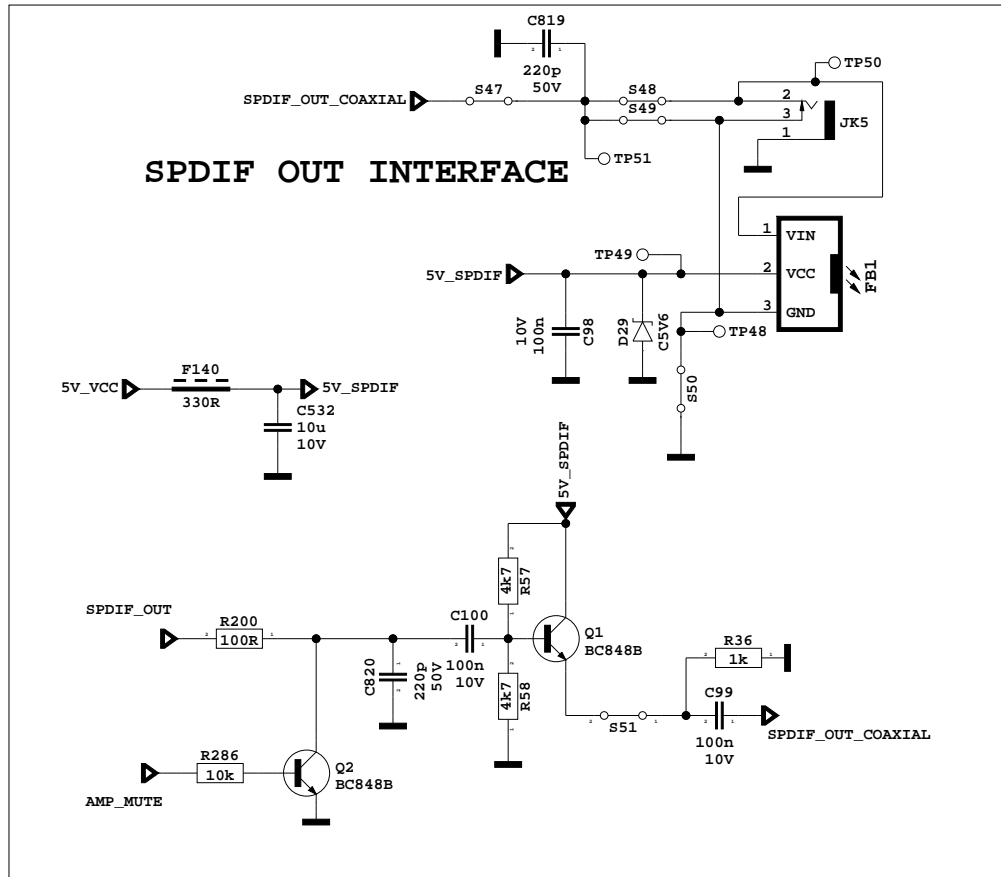
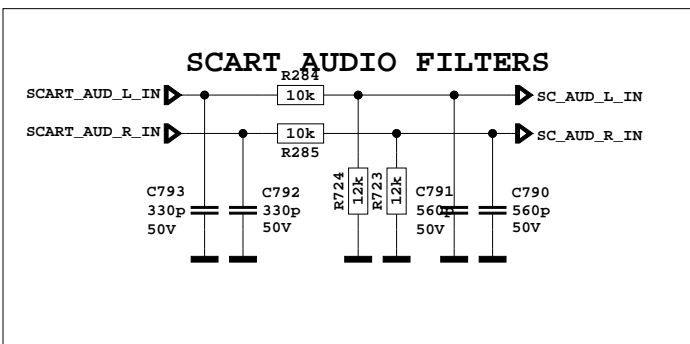


POP NOISE

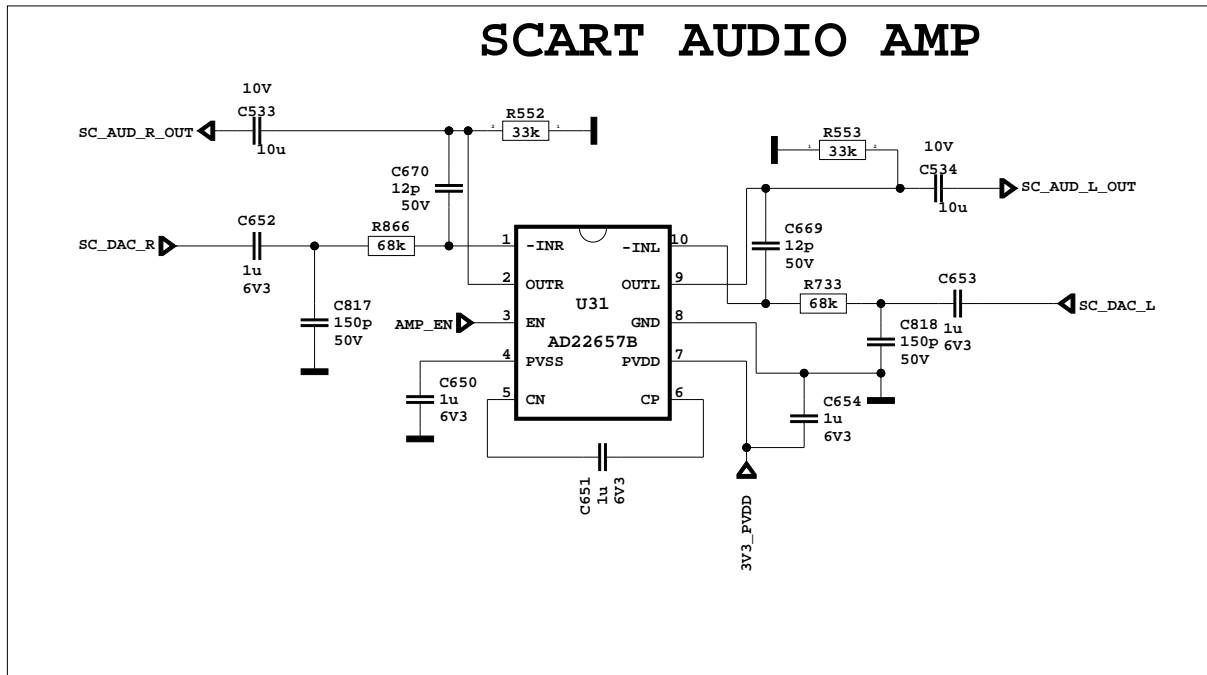
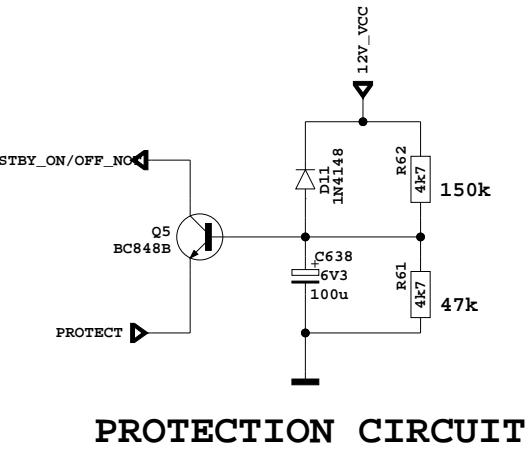
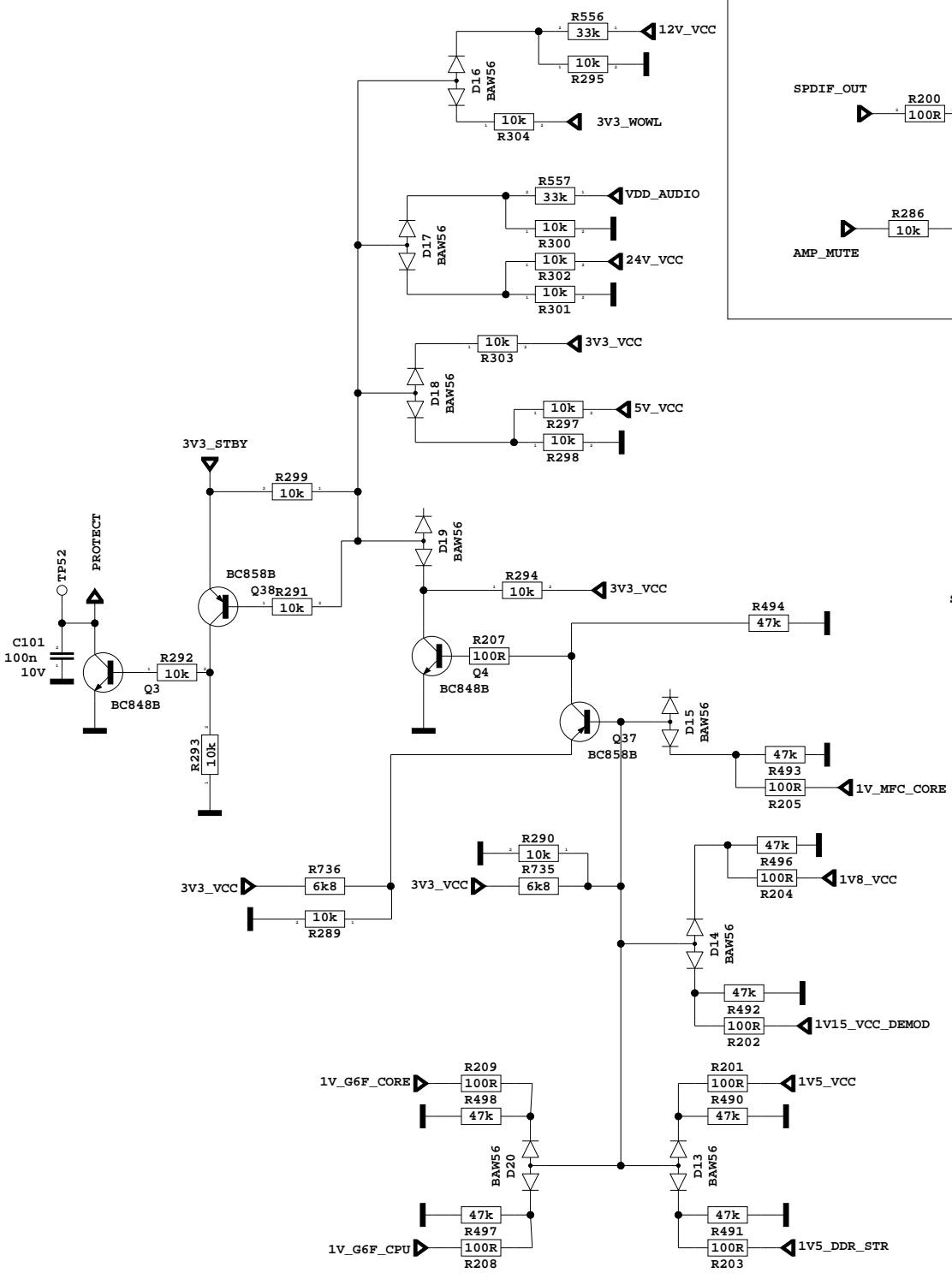


HEADPHONE AMP



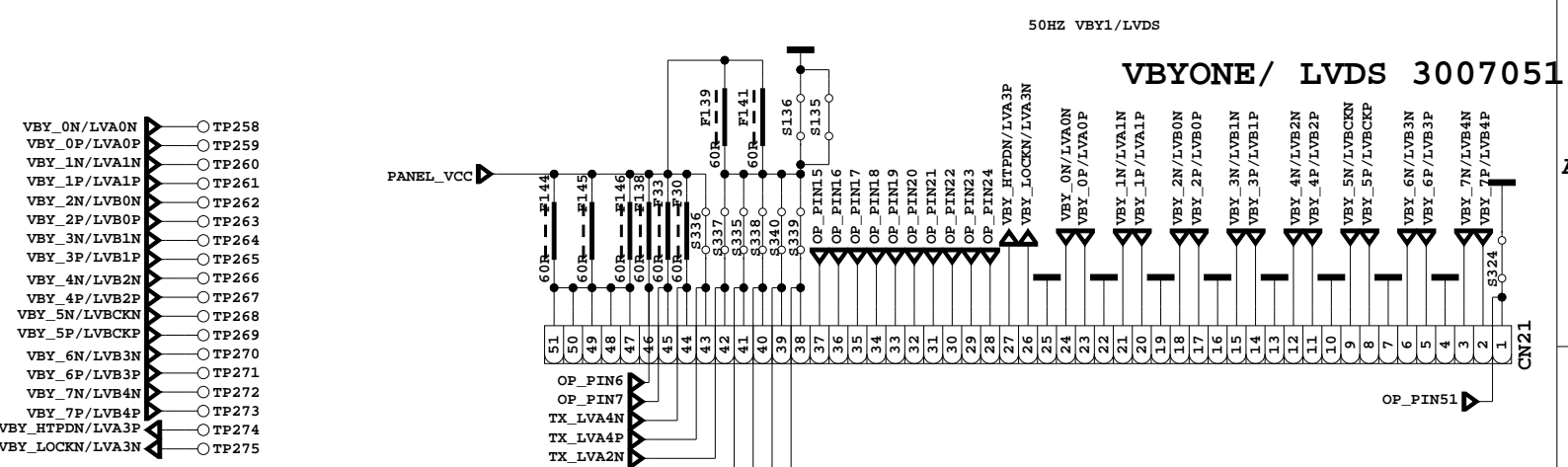
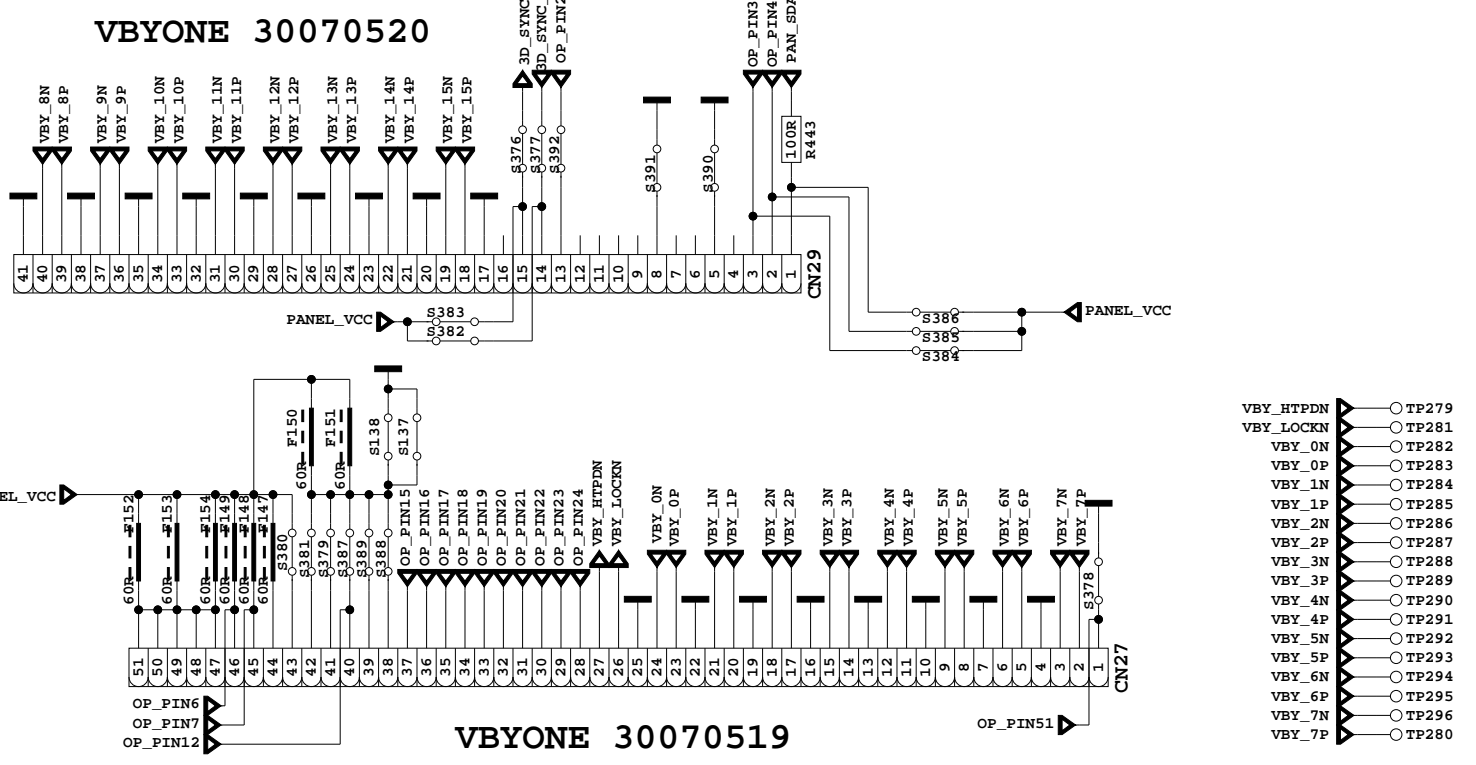
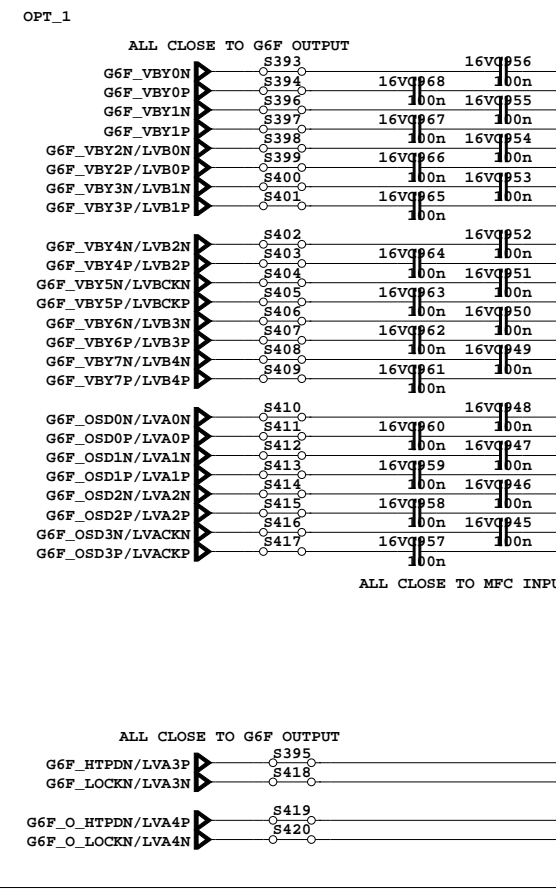


SHORT CCT PROTECTION



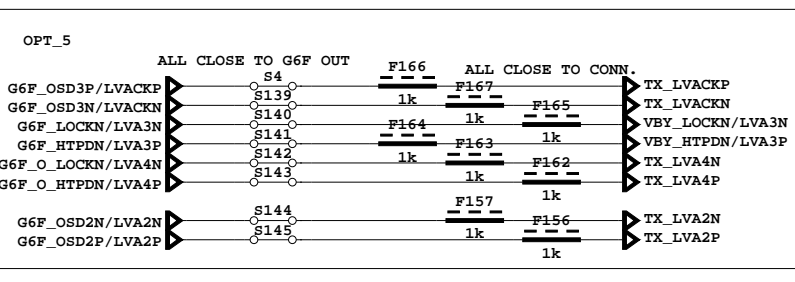
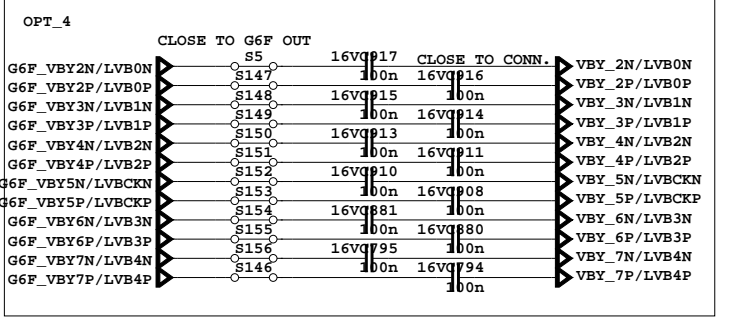
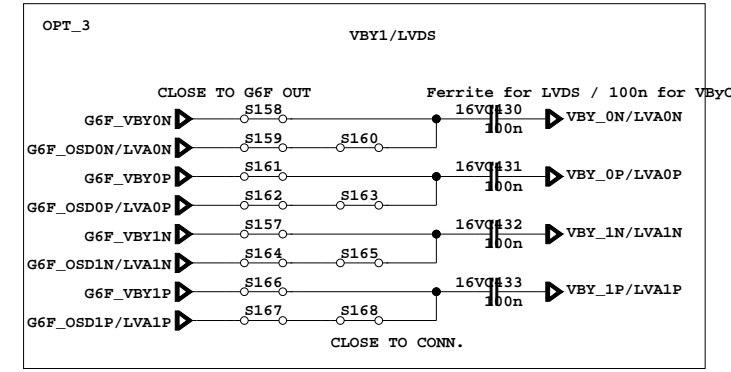
OUTPUT SELECTION

VBY1_100HZ : OPT_1 & OPT_2
VBY1_50HZ : OPT_3 & OPT_4
LVDS_50HZ : OPT_3 & OPT_4 & OPT_5

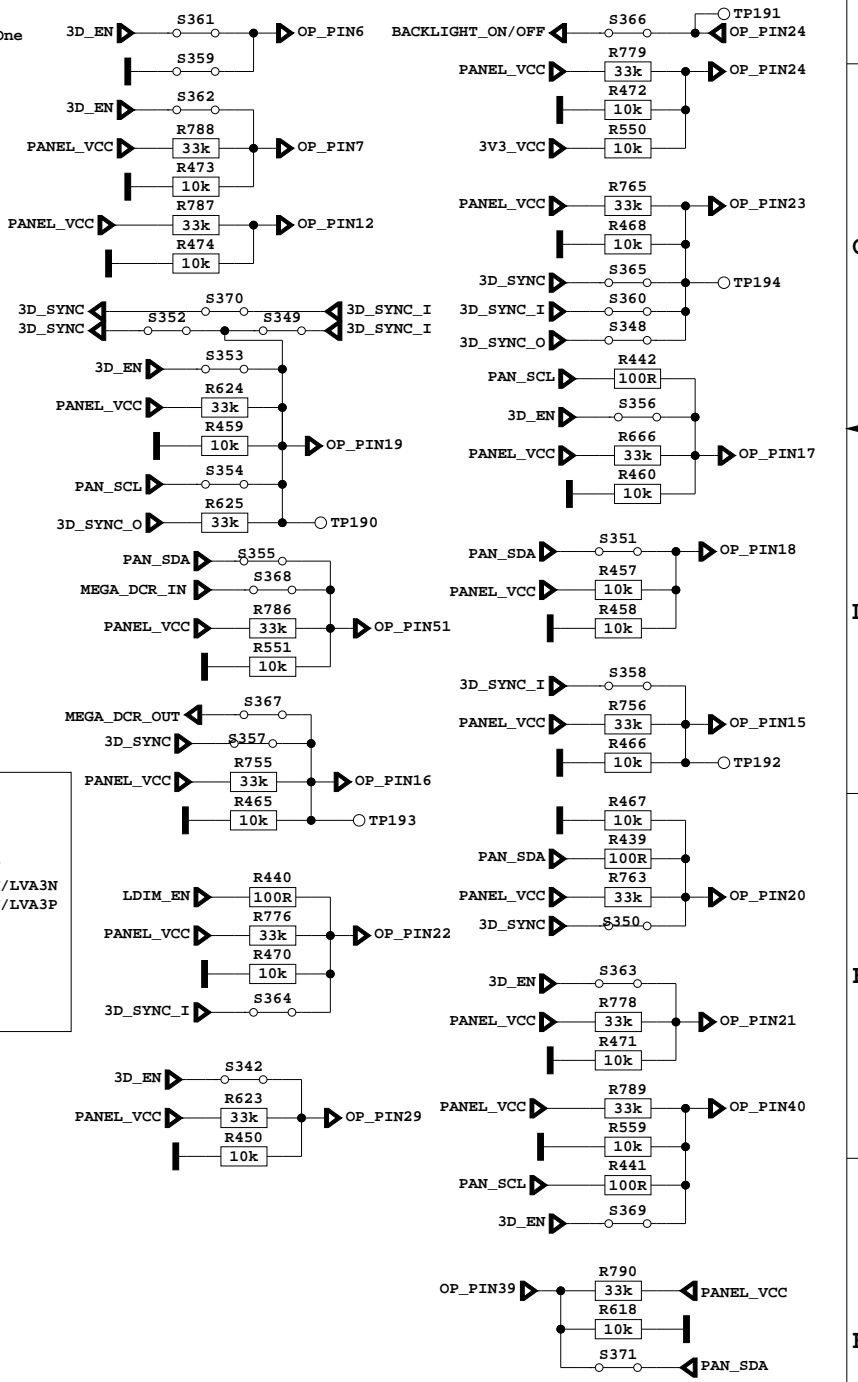


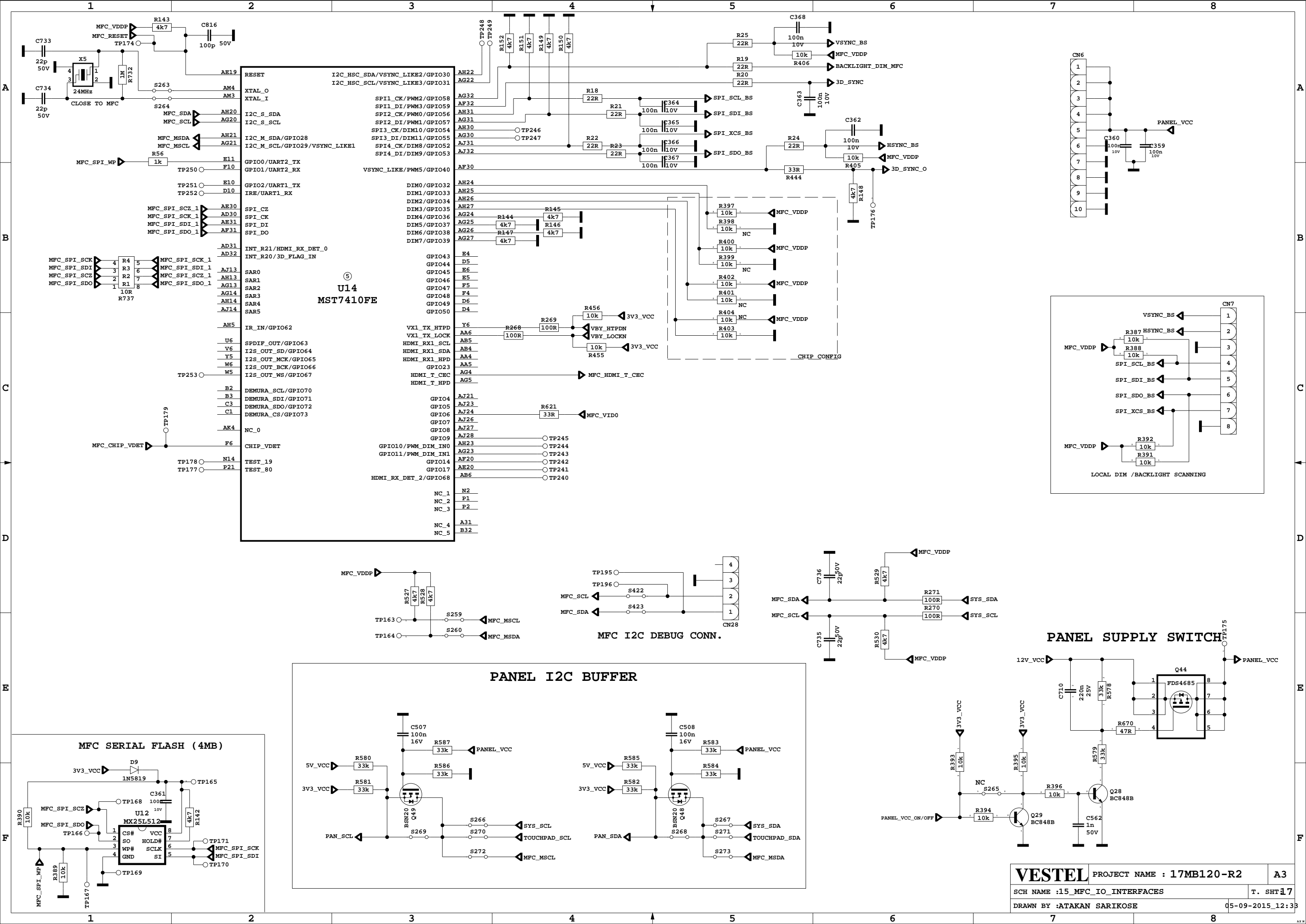
U14 MST7410FE

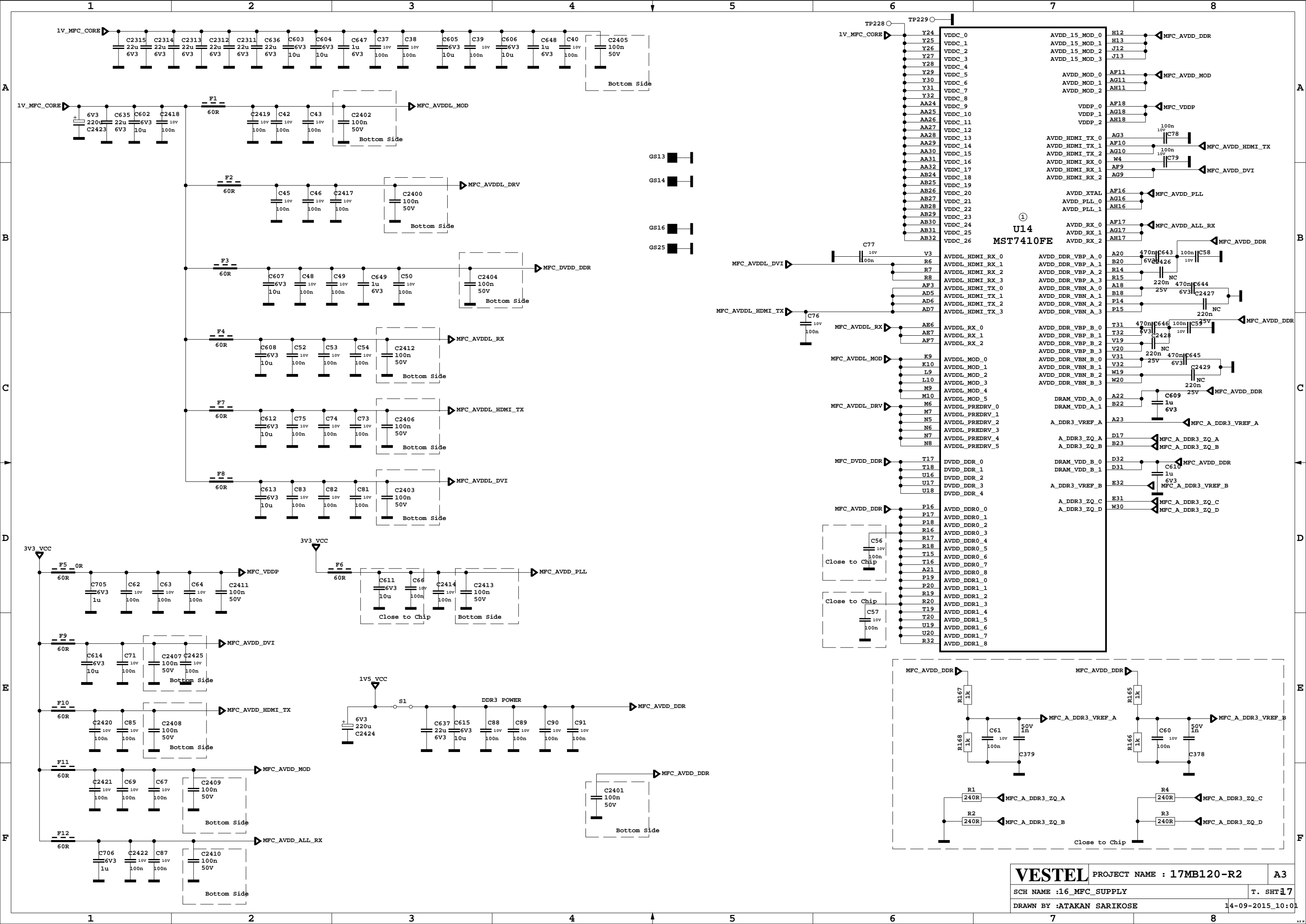
Pin list for U14 MST7410FE with columns for AM, RA, RB, AK, AH, AG and corresponding pin numbers (e.g., RA0N, RA0P, RA1N, etc.).

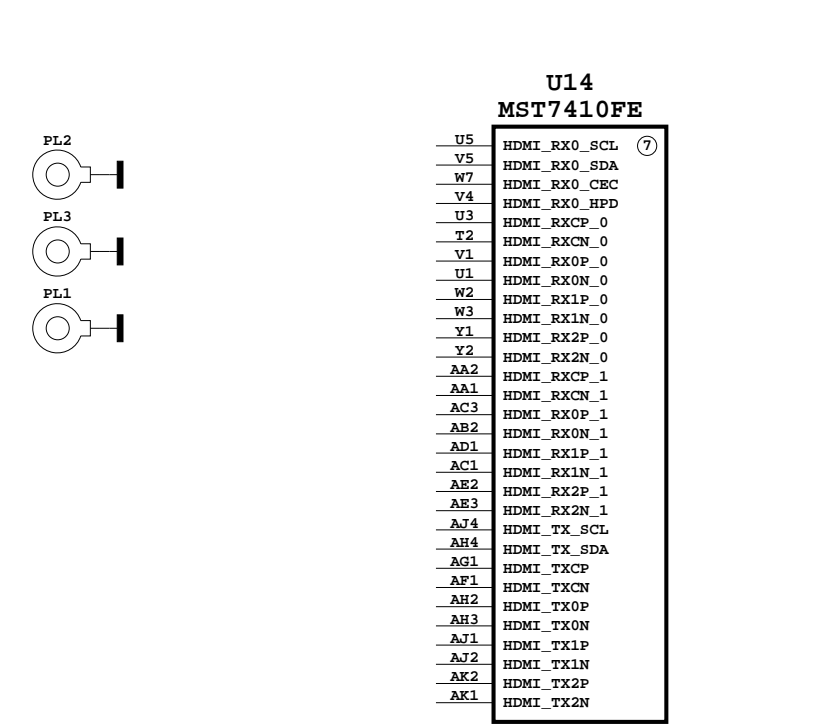
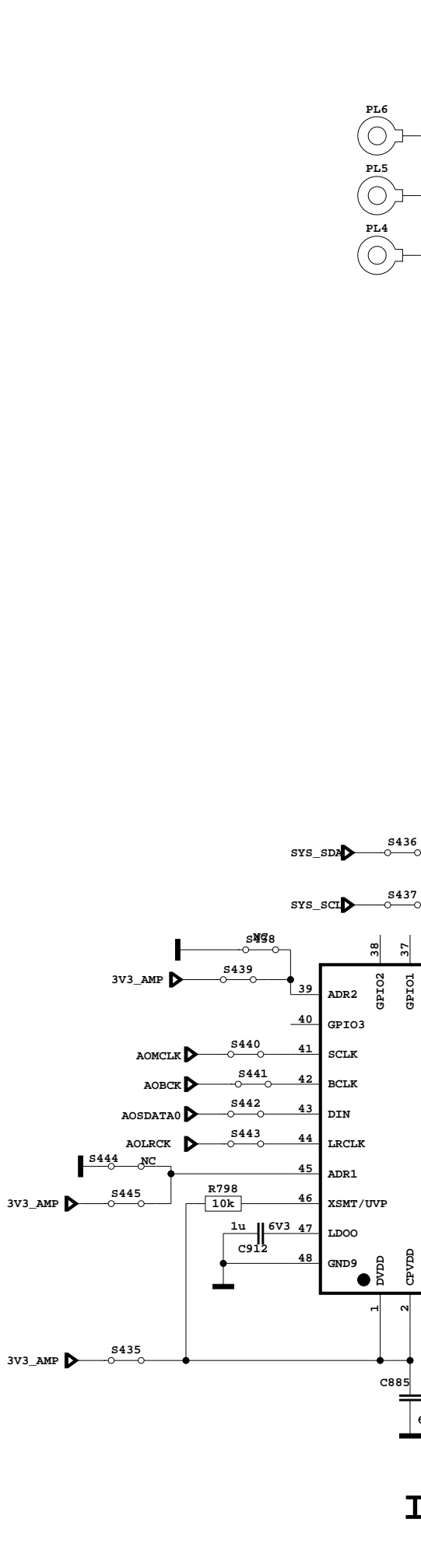
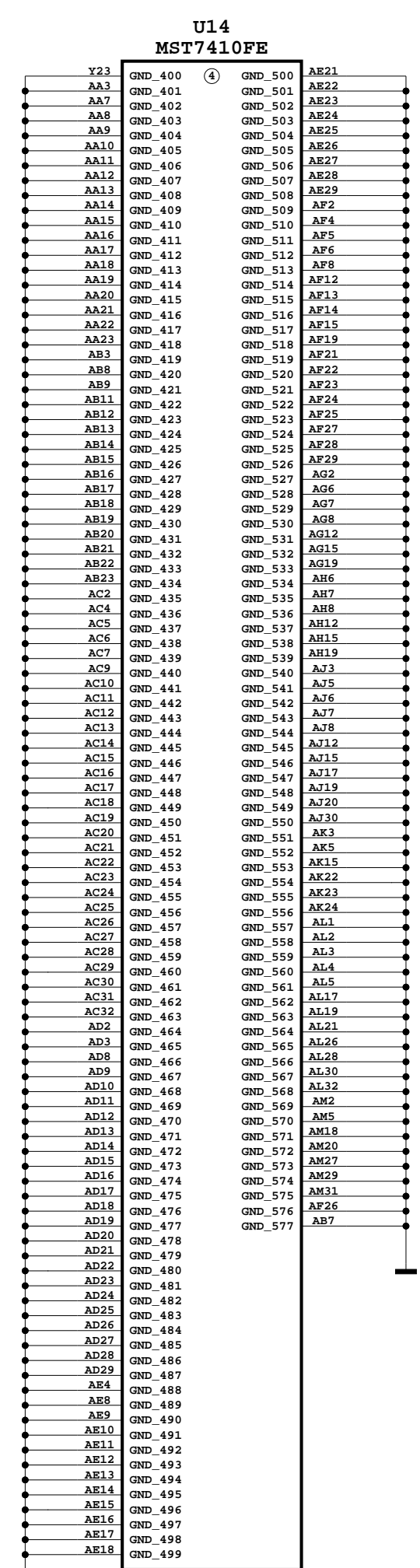
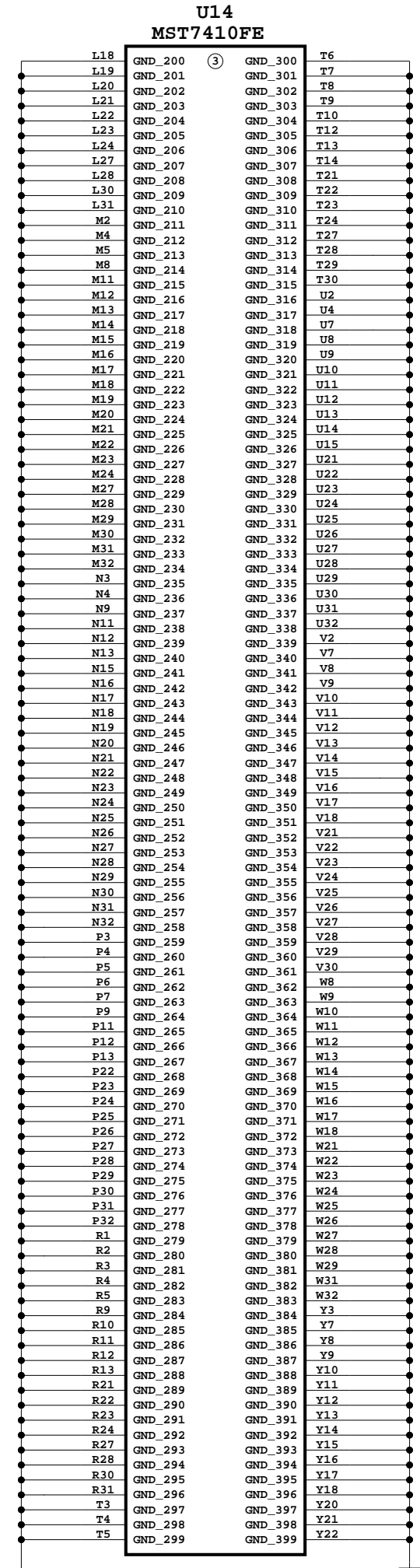
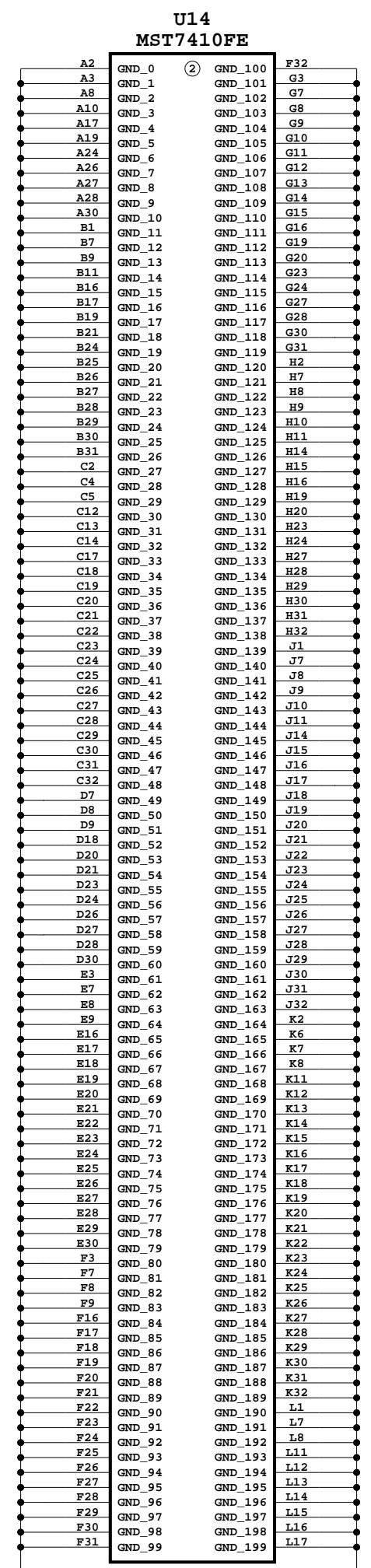


VBYONE/ LVDS OPTIONS









I2C Address 0x9E