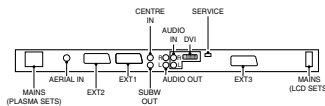
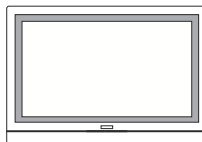
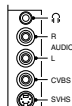


STYLING 496

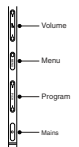
CONNECTOR BOTTOM



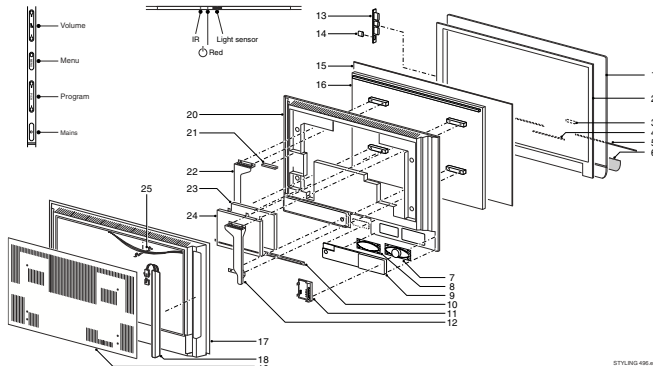
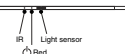
SIDE I/O



SIDE CONTROLS



FRONT CONTROLS



STYLING 496
200007

1	3104 328 30484	Front assy sw 42" (/12, /79, /93, /98)	17	3104 328 32962	Back cover sw 50" (/12, /69, /93)
1bd*	3104 328 30474	Front assy w 42"	17c*	3104 308 12601	Back cover w 50"
1	3104 328 30984	Front assy w 42" (/37)	17a*	3104 328 32952	Back cover sw 50" (/37)
1e*	3104 328 35595	Front assy w 42" (/37)	18	3104 328 33232	Back cover sw 50" (/37)
1	3104 328 30463	Front assy sw 50" (/12, /69, /93)	18	3104 328 35023	Ambient light R 42"
1	3104 328 30453	Front assy w 50" (/37)	18	3104 304 27331	Ambient light L 42"
1a*	3104 328 33461	Front assy w 50"	18	3104 328 33343	Ambient light fake cover 42"
1c*	3104 328 35043	Front assy sw 50"	18	3104 328 33223	Ambient light R 50"
2	3104 308 11502	Midframe assy sw 42" (/12, /79, /93, /98)	18c*	3104 304 27441	Ambient light fake cover sw 50"
2	3104 308 11492	Midframe assy w 42" (/37)	19	3104 301 24761	Back plate 42"
2	3104 308 11442	Midframe assy sw 50" (/12, /69, /93)	19e*	3104 301 25391	Back plate 42"
2	3104 308 11432	Midframe assy w 50" (/37)	19a*	3104 301 24872	Back plate 50"
2a*	3104 308 12631	Midframe assy w 50"	20	3104 301 25201	Back plate 50"
3	3104 300 12381	Word mark PHILIPS	20	3104 328 32453	Chassis frame 42"
4	3104 304 26791	IR Window sw 42" - 50" (/12, /69, /79, /93, /98)	20	3104 328 32444	Chassis frame 50"
4	3104 304 26781	IR Window w 42" - 50" (/37)	21	3104 308 11971	Isolation block 42"
5	3104 304 26781	Strip L+R sw 42" (/12, /79, /93, /98)	22	3104 308 11951	Fixation bracket L 42"
5	3104 304 26931	Strip L+R sw 50" (/12, /69, /93)	22	3104 328 32201	Fixation assy L 50"
6	3104 308 11521	Grill front sw 42" (/12, /79, /93, /98)	23	3104 308 11942	Bottom shielding
6	3104 308 11511	Grill front w 42" (/37)	23	3104 308 11932	Top shielding
6	3104 308 11461	Grill front sw 50" (/12, /69, /93)	24	3104 304 27671	Ambient light wire bracket
6	3104 308 11451	Grill front w 50" (/37)	24	3104 308 78791	Glass stand step 42" - 50" (/37)
6a*	3104 308 12641	Grill front w 50"	25	3104 308 78701	Upright stand step 42" - 50" (/37)
7	2441 257 10002	Loudspeaker L/R	3104 301 24731	3104 301 62851	Wall mount bracket 42" (/12, /79, /93, /98)
8	2441 257 10003	Loudspeaker R/R pass.	c*	3104 301 62821	Wall mount bracket 50" (/12, /69, /93)
9	3104 308 12471	Loudspeaker box assy 42"	3104 301 62861	3104 301 62861	Wall mount bracket 50" (/37)
10	3104 301 25111	Connection bracket 42"	3128 147 16191	3128 147 16201	Remote control RC4306/01B
11	3104 328 32463	Side I/O	3128 147 16201	3128 147 14431	Remote control RC4302/01 (/12, /69, /79, /93, /98)
11a*	3104 328 33241	Side I/O	2422 070 98223	2422 070 98422	Mains cord us
12	3104 308 11961	Fixation bracket R 42"	2422 070 98258	2422 070 98258	Mains cord eur
12	3104 328 32211	Fixation assy R 50"	2422 070 00015	2422 070 00017	Mains cord uk
13	3104 328 31645	Side controls	2422 070 00015	2422 070 00017	Mains cord aus/nz
14	3104 308 11603	Mains knob	2422 070 00017		Mains cord chn
15	3104 304 90491	Glass plate 42" (/12)	42PF9966/12		
15	3104 304 90421	Glass plate 42" (/37, /79, /93, /98)	42PF9966/37		
15	3104 304 90411	Glass plate 50" (/12, /37, /69, /93)	42PF9966/79		
16	9322 212 78682	PDP FPF42C128128UC-52 (/12)	42PF9966/98		
16	9965 000 26016	PDP S42AX-XB01 (/37, /79, /93, /98)	42PF9966/93		
16b*d*	9965 000 25997	PDP S42SD-YB03	42PF9966/12		
16	9965 000 26017	PDP S50HW-XB02 (/12, /37, /69, /93)	42PF9956/93		
17	3104 328 32983	Back cover sw 42" (/12, /79, /93, /98)	42PF9976/37		
17	3104 328 33173	Back cover w 42" (/37)	50PF9956/37		
17e*	3104 328 37943	Back cover w 42" (/37)	50PF9966/12		
17b*d*	3104 308 12782	Back cover w 42"	50PF9966/37		
			50PF9966/69		
			50PF9966/98		
			50PF9986/37		