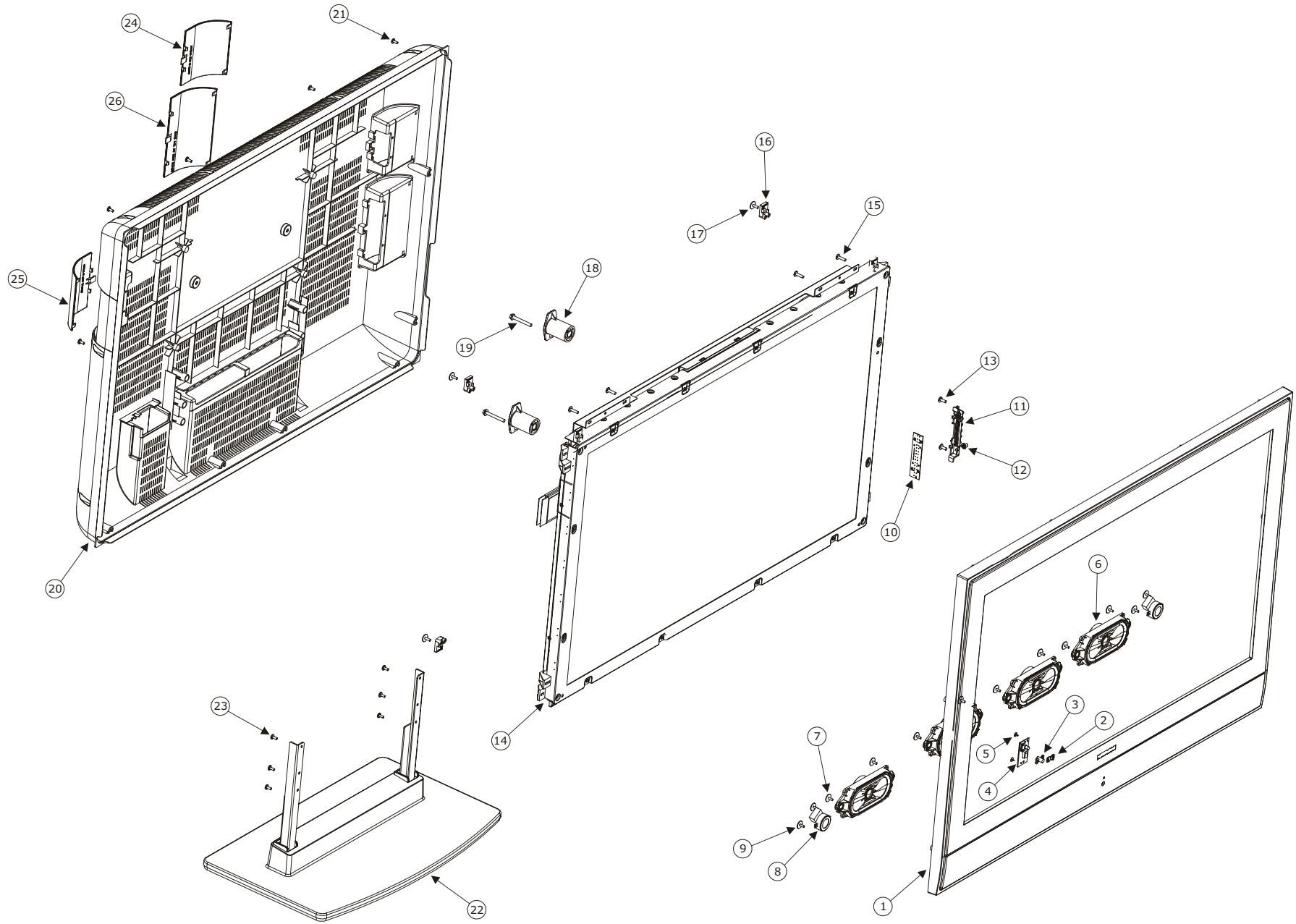


17. ASSEMBLY DRAWING [For 37-inch models ONLY]

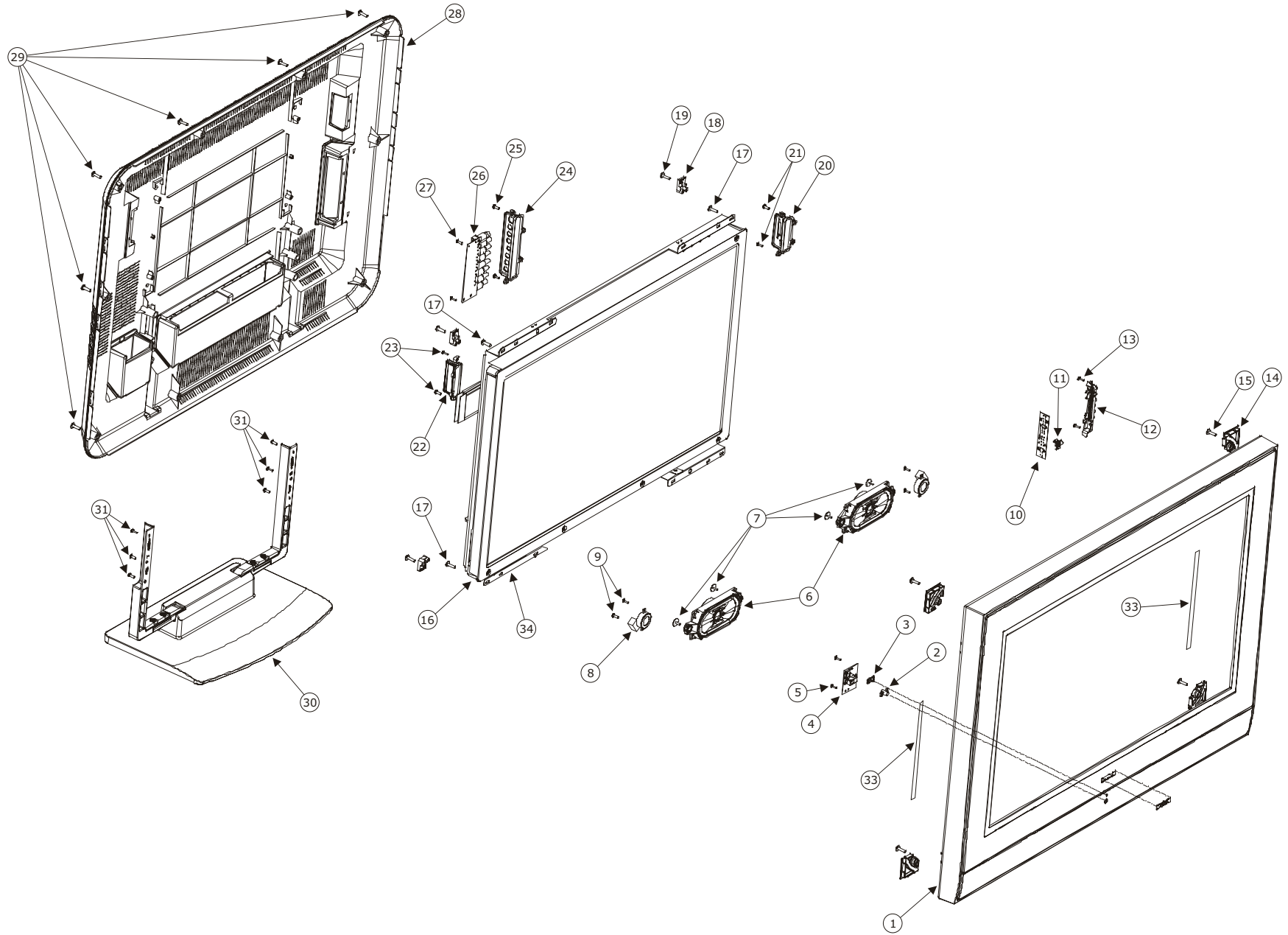


No. 0243

EXPLODED VIEW

**HITACHI**

[For 32-inch models ONLY]



No. 0243

EXPLODED VIEW

**HITACHI**