

Product Survey

Remarks:

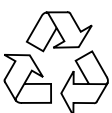
Each year 4 Product Surveys are published. From Product Survey 2004-1 onwards the contents of the second, the third and the fourth issue is an updating of the previous one; so e.g. Product Survey 2004-2 replaces 2004-1, Product Survey 2004-3 replaces Product Survey's 2004-1 and 2004-2 and the year book Product Survey 2004-4 replaces the Product Survey's 2004-1, 2004-2 and 2004-3.

Contents	Page
Publication Survey	PS04-4 2
Remote Control Survey	PS04-4 5
Tuner Survey	PS04-4 5
CRT Survey	PS04-4 5
TFT/PDP Survey	PS04-4 6
Software Survey	PS04-4 7
Model Number Survey	PS04-4 27
Stylings with Parts List	PS04-4 33

©Copyright 2005 Philips Consumer Electronics Eindhoven, The Netherlands. All rights reserved. No part of this publication may be reproduced, stored in a retrieval system or transmitted, in any form or by any means, electronic, mechanical, photocopying, or otherwise without the prior permission of Philips.

Safety regulations require that the set is restored to its original condition and that parts which are identical with those specified are used.

Les normes de sécurité exigent que l'appareil soit remis à l'état d'origine et que soient utilisées les pièces de rechange identiques à celles spécifiées.



Publication Survey

SERVICE MANUAL	LANGUAGE	CODE NUMBER
SM A02E AA	GB	3122 785 13950

SERVICE MANUAL	LANGUAGE	CODE NUMBER
SM A02U AA	GB	3122 785 13980

SERVICE MANUAL	LANGUAGE	CODE NUMBER
SM A10E BB (iDTV / IBO+, MHEG)	GB	3122 785 13940

SERVICE MANUAL	LANGUAGE	CODE NUMBER
SM DPTV320 / DPTV325	GB	3122 785 13060
SM DPTV355	GB	3122 785 14410

SERVICE MANUAL	LANGUAGE	CODE NUMBER
SM DPTV465 AA (regio AP)	GB	3122 785 15001

SERVICE MANUAL	LANGUAGE	CODE NUMBER
SM DPTV475 AA (regio AP)	GB	3122 785 15010

SERVICE MANUAL	LANGUAGE	CODE NUMBER
SM EM1.1A AA	GB	3122 785 13871

SERVICE MANUAL	LANGUAGE	CODE NUMBER
SM EM1.1U AA	GB	3122 785 13850

SERVICE MANUAL	LANGUAGE	CODE NUMBER
SM EM1.2A AA	GB	3122 785 13880

SERVICE MANUAL	LANGUAGE	CODE NUMBER
SM EM1.2U AA	GB	3122 785 13860

SERVICE MANUAL	LANGUAGE	CODE NUMBER
SM EM2E AA	GB	3122 785 10310
SM EM2E AA	NL	3122 785 10320
SM EM2E AA	D	3122 785 10330
SM EM2E AA	F	3122 785 10340
SM EM2E AA	I	3122 785 10350
SM EM2E AA	E	3122 785 10360

SERVICE INFORMATION	LANGUAGE	CODE NUMBER
SI EM2E AA 00.01	ALL	3122 785 40190
SI EM2E AA 00.02	ALL	3122 785 40290
SI EM2E AA 01.01	ALL	3122 785 40310
SI EM2E AA 02.01	ALL	3122 785 40590
SI EM2E AA 02.02	GB/ALL	3122 785 40640

SERVICE MANUAL	LANGUAGE	CODE NUMBER
SM EM3E AA	GB	3122 785 11360
SM EM3E AA	D	3122 785 11370
SM EM3E AA	F	3122 785 11380
SM EM3E AA	I	3122 785 11390
SM EM3E AA	E	3122 785 11400

SERVICE INFORMATION	LANGUAGE	CODE NUMBER
SI EM3E AA 02.01	ALL	3122 785 40600

SERVICE MANUAL	LANGUAGE	CODE NUMBER
SM EM5.1E AA	GB	3122 785 13420

SERVICE MANUAL	LANGUAGE	CODE NUMBER
SM EM5.2E AA	GB	3122 785 14590

SERVICE MANUAL	LANGUAGE	CODE NUMBER
SM EM5.3A P/M AA	GB	3122 785 14610

SERVICE MANUAL	LANGUAGE	CODE NUMBER
SM EM5.3E AA	GB	3122 785 14600

SERVICE MANUAL	LANGUAGE	CODE NUMBER
SM EM5A NTSC AA	GB	3122 785 12620
SM EM5A P/M AA	GB	3122 785 12611

SERVICE MANUAL	LANGUAGE	CODE NUMBER
SM EM5E AA	D	3122 785 12571
SM EM5E AA	F	3122 785 12581
SM EM5E AA	GB	3122 785 12561

SERVICE MANUAL	LANGUAGE	CODE NUMBER
SM EM5E-DVD AA Supplement	GB	3122 785 12890
SM EM5E-DVD AA Supplement	D	3122 785 12900
SM EM5E-DVD AA Supplement	F	3122 785 12910

SERVICE MANUAL	LANGUAGE	CODE NUMBER
SM EM5L AA	GB	3122 785 13260

SERVICE MANUAL	LANGUAGE	CODE NUMBER
SM EM6E AA	GB	3122 785 13070
SM EM6E AA (update + HDD module)	GB	3122 785 13071
SM EM6E AB (previously EM6E-Tech AA)	GB	3122 785 13100

SERVICE MANUAL	LANGUAGE	CODE NUMBER
SM EM8E AA	GB	3122 785 14780

SERVICE MANUAL	LANGUAGE	CODE NUMBER
SM F21RE AA	GB	3122 785 11410
SM F21RE AA	I	3122 785 11440

SERVICE INFORMATION	LANGUAGE	CODE NUMBER
SI F21RE AA 02.01	GB,D,F	3122 785 40720

SERVICE MANUAL	LANGUAGE	CODE NUMBER
SM F21RE AB (EU and AP version)	GB	3122 785 13130

SERVICE MANUAL	LANGUAGE	CODE NUMBER
SM F21RU AA	GB	3122 785 12630
SM F21RU AB	GB	3122 785 13160

SERVICE MANUAL	LANGUAGE	CODE NUMBER
SM F22RE AA (EU and AP version)	GB	3122 785 13171

SERVICE MANUAL	LANGUAGE	CODE NUMBER
SM F22RU AA	GB	3122 785 13200

SERVICE MANUAL	LANGUAGE	CODE NUMBER
SM FM23 AA	GB	3122 785 11300
SM FM23 AA	I	3122 785 11330

SERVICE MANUAL	LANGUAGE	CODE NUMBER
SM FM23 AB	GB	3122 785 12790

SERVICE MANUAL	LANGUAGE	CODE NUMBER
SM FM24 AA	GB	3122 785 12770
SM FM24 AA	I	3122 785 12780

SERVICE INFORMATION	LANGUAGE	CODE NUMBER
SI FM24 AA 02.01	GB	3122 785 40680
SI FM24 AA 02.01	GB	3122 785 40681

SERVICE MANUAL	LANGUAGE	CODE NUMBER
SM FM242 AA	GB	3122 785 13400
SM FM242 AB	GB	3122 785 14130

SERVICE MANUAL	LANGUAGE	CODE NUMBER
SM FM33 AA	GB	3122 785 13891

SERVICE MANUAL	LANGUAGE	CODE NUMBER
SM FTL13E AA	GB	3122 785 13450
SM FTL13E AA (update not release to regions)	GB	3122 785 13451
SM FTL13E AA (update + ITV added)	GB	3122 785 13452
SM FTL13E AA & FTL13E AB (update + AB added)	GB	3122 785 13453

SERVICE MANUAL	LANGUAGE	CODE NUMBER
SM FTL13U AA	GB	3122 785 13480
SM FTL13U AA & FTL13U AB (update + AB added)	GB	3122 785 13481

SERVICE MANUAL	LANGUAGE	CODE NUMBER
SM FTL2.1A AA & FTL2.2A AA	GB	3122 785 14640
SM FTL2.1E AA	GB	3122 785 14620

SERVICE MANUAL	LANGUAGE	CODE NUMBER
SM FTL2.1U AA & FTL2.2U AA	GB	3122 785 14632

SERVICE MANUAL	LANGUAGE	CODE NUMBER
SM FTL2.2 ^F AA	GB	3122 785 15240

SERVICE MANUAL	LANGUAGE	CODE NUMBER
SM FTL3.1E AA	GB	3122 785 14700

SERVICE MANUAL	LANGUAGE	CODE NUMBER
SM FTP1.1E AA	GB	3122 785 14370

SERVICE MANUAL	LANGUAGE	CODE NUMBER
SM FTP1.1E AA	GB	3122 785 14370

SERVICE MANUAL	LANGUAGE	CODE NUMBER
SM FTP1.1U AA	GB	3122 785 14381

SERVICE MANUAL	LANGUAGE	CODE NUMBER
SM FTP2.2A AA	GB	3122 785 14680

SERVICE MANUAL	LANGUAGE	CODE NUMBER
SM FTP2.2E AA	GB	3122 785 14650

SERVICE MANUAL	LANGUAGE	CODE NUMBER
SM FTP2.2L AA	GB	3122 785 15231

SERVICE MANUAL	LANGUAGE	CODE NUMBER
SM FTP2.2U AA	GB	3122 785 14662

SERVICE MANUAL	LANGUAGE	CODE NUMBER
SM L01.1A AA (Large Screen)	GB	3122 785 11121

SERVICE MANUAL	LANGUAGE	CODE NUMBER
SM L01.1A AB	GB	3122 785 12730

SERVICE MANUAL	LANGUAGE	CODE NUMBER
SM L01.1A AC	GB	3122 785 13210

SERVICE MANUAL	LANGUAGE	CODE NUMBER
SM L01.1E AA (Large Screen)	GB	3122 785 11111
SM L01.1E AA (Large Screen)	D	3122 785 11700
SM L01.1E AA (Large Screen)	F	3122 785 11710
SM L01.1E AA (Large Screen)	I	3122 785 11720
SM L01.1E AA (Large Screen)	E	3122 785 11730

SERVICE MANUAL	LANGUAGE	CODE NUMBER
SM L01.1E AB (DVD Supplement)	GB	3122 785 12830
SM L01.1E AB (DVD Supplement)	D	3122 785 12840
SM L01.1E AB (DVD Supplement)	F	3122 785 12850

SERVICE MANUAL	LANGUAGE	CODE NUMBER
SM L01.1E AB	GB	3122 785 12860
SM L01.1E AB	D	3122 785 12870
SM L01.1E AB	F	3122 785 12880

SERVICE MANUAL	LANGUAGE	CODE NUMBER
SM L01.1L AA (Large Screen)	GB	3122 785 11140
SM L01.1L AA (Large Screen)	E	3122 785 11791
SM L01.1L AA (Large Screen)	Br/Por	3122 785 11811

SERVICE MANUAL	LANGUAGE	CODE NUMBER
SM L01.1L AA / L01.2L AA Supplement L01H.1L AA / L01H.2L AA	GB	3122 785 11980
SM L01.1L AA / L01.2L AA Supplement L01H.1L AA / L01H.2L AA	E	3122 785 11990
SM L01.1L AA / L01.2L AA Supplement L01H.1L AA / L01H.2L AA	Br/Por	3122 785 12000

SERVICE MANUAL	LANGUAGE	CODE NUMBER
SM L01.1L AB	E	3122 785 12690
SM L01.1L AB	Br/Por	3122 785 12701

SERVICE MANUAL	LANGUAGE	CODE NUMBER
SM L01.1L AC	GB	3122 785 13230
SM L01.1L AC	E	3122 785 13250
SM L01.1L AC	Br/Por	3122 785 13240

SERVICE MANUAL	LANGUAGE	CODE NUMBER
SM L01.1U AA (Large Screen, USA: 8)	GB	3122 785 11170

SERVICE MANUAL	LANGUAGE	CODE NUMBER
SM L01.1U AB (T8 AA)	GB	3122 785 12740

SERVICE MANUAL	LANGUAGE	CODE NUMBER
SM L01.1U AC	GB	3122 785 13220
SM L01.1U AC (SM Update with SD5.12 DVD Module)	GB	3122 785 13221

SERVICE MANUAL	LANGUAGE	CODE NUMBER
SM L01.2A AA (Small Screen)	GB	3122 785 11160

SERVICE MANUAL	LANGUAGE	CODE NUMBER
SM L01.2A AB	GB	3122 785 12750

SERVICE INFORMATION	LANGUAGE	CODE NUMBER
SI L01.2A AB 02.01 / L01.2L AB 02.01	GB	3122 785 40730

SERVICE MANUAL	LANGUAGE	CODE NUMBER
SM L01.2E AA (Small Screen)	GB	3122 785 11151
SM L01.2E AA (Small Screen)	D	3122 785 11740
SM L01.2E AA (Small Screen)	F	3122 785 11750
SM L01.2E AA (Small Screen)	I	3122 785 11760
SM L01.2E AA (Small Screen)	E	3122 785 11770

SERVICE INFORMATION	LANGUAGE	CODE NUMBER
SI L01.2E AA 02.01	ALL	3122 785 40620

SERVICE MANUAL	LANGUAGE	CODE NUMBER
SM L01.2L AA (Small Screen)	GB	3122 785 11180
SM L01.2L AA (Small Screen)	E	3122 785 11800
SM L01.2L AA (Small Screen)	Br/Por	3122 785 11820

SERVICE MANUAL	LANGUAGE	CODE NUMBER
SM L01.2L AB	E	3122 785 12710
SM L01.2L AB	Br/Por	3122 785 12721

SERVICE MANUAL	LANGUAGE	CODE NUMBER
SM L01.2U AA (Small Screen, USA: L8)	GB	3122 785 11130

SERVICE MANUAL	LANGUAGE	CODE NUMBER
SM L01.2U AB (S8 AA)	GB	3122 785 12760

SERVICE INFORMATION	LANGUAGE	CODE NUMBER
SI L01H.1A AA	GB	3122 785 40420
SI L01H.1A/L01H.2A 03.01 new intf.panel	GB	3122 785 40770

SERVICE MANUAL	LANGUAGE	CODE NUMBER
SM L01H.1E AA	GB	3122 785 11630
SM L01H.1E AA	D	3122 785 12110
SM L01H.1E AA	F	3122 785 12120
SM L01H.1E AA	I	3122 785 12130
SM L01H.1E AA	E	3122 785 12140

SERVICE INFORMATION	LANGUAGE	CODE NUMBER
SI L01H.1E AA 02.01	GB,D,F	3122 785 40690

SERVICE INFORMATION	LANGUAGE	CODE NUMBER
SI L01H.1E/L01H.2E 02.02 new intf.panel	ALL	3122 785 40760

SERVICE MANUAL	LANGUAGE	CODE NUMBER
SM L01H.2A AA	GB	3122 785 11660

SERVICE MANUAL	LANGUAGE	CODE NUMBER
SM L01H.2E AA	GB	3122 785 11640
SM L01H.2E AA	D	3122 785 12150
SM L01H.2E AA	F	3122 785 12160
SM L01H.2E AA	I	3122 785 12170
SM L01H.2E AA	E	3122 785 12180

SERVICE MANUAL	LANGUAGE	CODE NUMBER
SM L03.1L AA	GB	3122 785 13900

SERVICE MANUAL	LANGUAGE	CODE NUMBER
SM L03.1U AA	GB	3122 785 13930

SERVICE MANUAL	LANGUAGE	CODE NUMBER
SM L03.2U AA	GB	3122 785 14560

SERVICE MANUAL	LANGUAGE	CODE NUMBER
SM L04A AA	GB	3122 785 14470
SM L04A AB	GB	3122 785 14770

SERVICE MANUAL	LANGUAGE	CODE NUMBER
SM L04E AA	GB	3122 785 14480
SM L04E AB	GB	3122 785 14970

SERVICE MANUAL	LANGUAGE	CODE NUMBER
SM L04L AA	GB	3122 785 14440

SERVICE MANUAL	LANGUAGE	CODE NUMBER
SM L04U AA	GB	3122 785 14430

SERVICE MANUAL	LANGUAGE	CODE NUMBER
SM L04HE AA	GB	3122 785 14820

SERVICE MANUAL	LANGUAGE	CODE NUMBER
SM L04HU AA	GB	3122 785 14840

SERVICE MANUAL	LANGUAGE	CODE NUMBER
SM LC03A AA (service info update 23")	GB	3122 785 13601

SERVICE MANUAL	LANGUAGE	CODE NUMBER
SM LC03E AA	D	3122 785 13580
SM LC03E AA	F	3122 785 13590
SM LC03E AA (service info update 23")	GB	3122 785 13571

SERVICE MANUAL	LANGUAGE	CODE NUMBER
SM LC03L AA	GB	3122 785 13620
SM LC03L AA	E	3122 785 13640
SM LC03L AA	Br/Por	3122 785 13630

SERVICE MANUAL	LANGUAGE	CODE NUMBER
SM LC03U AA (service info update 23")	GB	3122 785 13611

SERVICE MANUAL	LANGUAGE	CODE NUMBER
SM LC13A AA	GB	3122 785 14070

SERVICE MANUAL	LANGUAGE	CODE NUMBER
SM LC13E AA	GB	3122 785 14030

SERVICE MANUAL	LANGUAGE	CODE NUMBER
SM LC13U AA	GB	3122 785 14060

SERVICE MANUAL	LANGUAGE	CODE NUMBER
SM LC4.1A AA	GB	3122 785 14540

SERVICE MANUAL	LANGUAGE	CODE NUMBER
SM LC4.1E AA	GB	3122 785 14520

SERVICE MANUAL	LANGUAGE	CODE NUMBER
SM LC4.1L AA	GB	3122 785 14530

SERVICE MANUAL	LANGUAGE	CODE NUMBER
SM LC4.1U AA	GB	3122 785 14530

SERVICE MANUAL	LANGUAGE	CODE NUMBER
SM LC4.2A AA	GB	3122 785 14510

SERVICE MANUAL	LANGUAGE	CODE NUMBER
SM LC4.2E AA	GB	3122 785 14491

SERVICE MANUAL	LANGUAGE	CODE NUMBER
SM LC4.2U AA	GB	3122 785 14500

SERVICE MANUAL	LANGUAGE	CODE NUMBER
SM LC4.6A AA	GB	3122 785 14751

SERVICE MANUAL	LANGUAGE	CODE NUMBER
SM LC4.6E AA	GB	3122 785 14710

SERVICE MANUAL	LANGUAGE	CODE NUMBER
SM LC4.6L AA	GB	3122 785 15180

SERVICE MANUAL	LANGUAGE	CODE NUMBER
SM LC4.6U AA	GB	3122 785 14732

SERVICE MANUAL	LANGUAGE	CODE NUMBER
SM LC4.7A AA	GB	3122 785 147961

SERVICE MANUAL	LANGUAGE	CODE NUMBER
SM LC4.7E AA	GB	3122 785 14721

SERVICE MANUAL	LANGUAGE	CODE NUMBER
SM LC4.7L AA	GB	3122 785 15190

SERVICE MANUAL	LANGUAGE	CODE NUMBER
SM LC4.7U AA	GB	3122 785 14741

SERVICE MANUAL	LANGUAGE	CODE NUMBER
SM LCD1.15E AA	GB	3122 785 12510

SERVICE MANUAL	LANGUAGE	CODE NUMBER
SM LCD1.20E AA	GB	3122 785 12520

SERVICE MANUAL	LANGUAGE	CODE NUMBER
SM T1.1A AA	GB	3122 785 13000

SERVICE MANUAL	LANGUAGE	CODE NUMBER
SM TE1.1E AA	GB	3122 785 13540
SM TE1.1E AA	D	3122 785 13550
SM TE1.1E AA	F	3122 785 13560

SERVICE MANUAL	LANGUAGE	CODE NUMBER
SM TC2.1A AA	GB	3122 785 13690
SM TC2.1A AB	GB	3122 785 14550

SERVICE MANUAL	LANGUAGE	CODE NUMBER
SM TC3.1U AA	GB	3122 785 14800

SERVICE MANUAL	LANGUAGE	CODE NUMBER
SM TC4.1U AA	GB	3122 785 14790

SERVICE MANUAL	LANGUAGE	CODE NUMBER
SM TDVD1.1E AA	GB	3122 785 12970
SM TDVD1.1E AA	D	3122 785 12980
SM TDVD1.1E AA	F	3122 785 12990

SERVICE MANUAL	LANGUAGE	CODE NUMBER
SM TDVD2.1E	GB	3122 785 14170

SERVICE MANUAL	LANGUAGE	CODE NUMBER
SM TDVD2.1E	GB	3122 785 14170

SERVICE MANUAL	LANGUAGE	CODE NUMBER
SM TE1.1E AA	GB	3122 785 13540
SM TE1.1E AA	D	3122 785 13550
SM TE1.1E AA	F	3122 785 13560

SERVICE MANUAL	LANGUAGE	CODE NUMBER
SM TE2.1E AA	GB	3122 785 14930

SERVICE MANUAL	LANGUAGE	CODE NUMBER
SM TF1.1E AA	GB	3122 785 15130

SERVICE MANUAL	LANGUAGE	CODE NUMBER
SM VGA PDP repair manual	GB	3122 785 14360

Remote Control Survey

RC TYPE	CODE NUMBER
06-015W30-A171X	996500023465
06-0R1735-H009X	996500022880
08-1465-RMY	996500014907
08-2165-RMY	996500015401
08-HS46F0-M133A	996500024266
M28-2	996500017920
RC11128/17	313923805781
RC1112917/17A	313923804701
RC1123507/00	631020092071
RC1553801/01	932220716667
RC1553802/01	312814715901
RC1553803/01	312814715921
RC1553805/01	313923808571
RC19036001/01	313922886491
RC19036002/01A	313923804313
RC19039001/01	313922886471
RC19041006/01	313923803811
RC19042001/01	313922886482
RC19042002/01	312814713341
RC19042007/01	312814714521
RC19042008/01	312814714871
RC19042009/01	312814714881
RC19042011/01	312814715231
RC19042013/01	631020092091
RC19042017/01	312814715351
RC19335003	313922886452
RC19335003/01	313922886452
RC19335004	313922886463
RC19335004/01	313922886463
RC19335014/01	313923805691
RC19335016/01	313923805851
RC19335019/01	313923808141
RC19335021/01	313923808161
RC2044/01	312814713651
RC2049/01B	312814713991
RC2060/01B	312814714011
RC2080	312814714861
RC2080/01	932215582667
RC25109/01	996500014330
RC2882/01	313922881973
RC4301/01	312814714411
RC4302/01	312814714431
RC4305/01	312814714461
RC4306/01B	312814716191
RC4307/01B	312814716201
RC4330/01	313923807441
RC4330/01H	313923807441
RC4332/01	312814715761
RC4333/01	313923807181
RC4334/01	313923807191
RC4335/01	313923807591
RC4337/01B	313923807921
RC4341/01B	313923810141
RC86702/01	313922889381
RC4330/01H	313923807441
RC19042008/01	312814714871
RC1553803/01	312814715921
RCLA014	313922886482
RCLA015	313912876471
RCLE011	313912876291
RCLE013A	631020092101
RCLE016	631020092051
RCLU012	313923804313
RCS82D	482221910548
SBHV00030A	310432700021
SBHV00032A	310432700031

Tuner Survey

TUNER TYPE	CODE NUMBER
07-457FR5-NX1	996500024347
CTT5020E/CFT5510	616800020001
ENV56D98G3	242254290108
ENV56K06G3	242254200007
ENV56K06G3	242254200007
TAFC-M130D	996500016507
TAFC-S120D	996500016521
TEDE9-031A	242254290072

TEDE9-200A	242254290106
TEDE9-201A	242254290107
TEDE9-228A	242254290122
TEDE9-228B	242254290122
TEDE9-286A	242254200003
TEDE-716A	242254200012
TEDE9-717A	242254200012
TEDE9X029A	242254290067
TEDE9X701A	242254290076
TEDE9X717A	242254200012
TEDH9-200A	242254290098
TEDH9-202A	242254290115
TEDH9-202A	242254290115
TEDH9-257A	242254200009
TEDH9-305A	242254290141
TEDH9-705A	242254200006
TEDH9X700A	242254290077
U1356A/A I G-3	313914716481
UR1316/A	313914719701
UR1316/A I -3	313914720751
UR1316/A I H-3	313914719701
UR1316R/A I -3	313914720751
UR1316R/A I H-3	313914719701
UR1316R/A I-3	313914717402
UR1336/A F	313914719711
UR1336/A F S H-3	313914719711
UR1336/A FI S H-3	313914722321
UV1316/A I X U-3	313914718851
UV1316E/A I-4	313914720911
UV1317/A I G-3	313914719171
UV1317/A I X U-3	313914719231
UV1318S/A I U-3	313914719361
UV1318S/A I-3	313914719341
UV1318S/A IH-3	313914719801
UV1318ST/AIH-3	313914720201
UR1336/A FI S H -3	313914722321
UV1338/A F S H-4	313914721461
UV1355-BK2	996500014970
UV1355C/A I B-3	996500022881
UV1356A/A I G-3	313914716481
UV1356A/A I G-3	313914716481
UV1356A/AIG-3	313914716481
UV1356E/A	313914721141
UVS1053-EW	996500023477

CRT Survey

RC TYPE	CODE NUMBER
37SX110Y22-DC05	996500014942
A33EKC02X01	070362110151
A34KPU02XXE6-N	996500023471
A36AKJ13X16	070306211300
A36AKJ15X07	932219116682
A51AEZ90X45	932220701682
A51AKL13X10	932220227682
A51AKL13X10N	932220229682
A51AKL13X10R	932220230682
A51ERF135X12	930192350301
A51ERF135X80	930190343301
A51ERF135X82	930190381329
A51JSY63X13	996500017980
A51KQK99X02	932220200682
A51KXR95X01	932215260682
A51LYZ095X01	932219608682
A51QAE320XA5	996500023503
A59EAK071X11	482213111184
A59QDC257X61(N)	930193520522
A59QDC257X61(Q)	930193530522
A59QDF891X001(L)	932216387682
A66EAK071X11	482213111045
A66EAK075X21	930186300301
A66EAK075X54	930186310314
A68ELA021X201	932220517682
A68ERF012X013	930194090314
A68ERF112X013	930194090314
A68ERF142X044	930196570347
A68QCP691X500	932221383682
A68QCP691X501	932221384682

A68QCP893X001	932217375682
A68QCU770X73(N)	930194660542
A68QDL280X062	932219605682
A68QDL281X062	932219606682
A80ERF042X45	930192720542
A80ERF142X45	930195360542
P16LXL00BMB(C)	932220293682
P16LXL00HHA(C)	932220292682
P16LXL00RFA(C)	932220291682
W66ECK001X14	482213111345
W66ECK011X14	482213111345
W66ERF022X013	930188810314
W66ERF072X044	930192160307
W66ERF112X013	930193420307
W76ERF022X013	930188830314
W76ERF022X016	930188830314
W76ERF042X044	930188070314
W76ERF072X044	930192190314
W86ERF063X144	930191450304

TFT/PDP Survey

Display TYPE	CODE NUMBER
LC150X01-A3	932219631682
LC150X02-A4	932220748682
LC171W03-A4	932219632682
LC171W03-A4KC	932221148682
LC201V02-A3	932219744682
LC201V02-A3	932219744682
LC201V02-A3K5	932221150682
LC201V1-A1	996500016522
LC230W01-A2K8	932220984682
LC260W01-A5K6	932221269682
LC300W01-A3P7	932219800682
QD23WL05	932221413682

Software Survey

SOFTWARE SURVEY									
CHASSIS	FAMILY	PRODUCTION CODE	UP TYPE/VERSION	IDENT	SERVICE CODE	HOTEL MODE ?	REMARKS TYPICAL FOR THIS SOFTWARE	REPLACED BY IDENT	SERVICE CODE
A02E AA	Europe W+E	From Wk344		A02EB1-1.01	9965 000 23334	No		A02EB1-1.09	3139 127 01304
A02E AA	Europe W+E	From Wk345		A02EB1-1.02	9965 000 23334	No		A02EB1-1.09	3139 127 01304
A02E AA	Europe W+E	From Wk348		A02EB1-1.03	3139 127 01301	No		A02EB1-1.09	3139 127 01304
A02E AA	Europe W+E	From Wk402		A02EB1-1.05	3139 127 01302	No		A02EB1-1.09	3139 127 01304
A02E AA	Europe W+E	From Wk404		A02EB1-1.07	3139 127 01303	No		A02EB1-1.09	3139 127 01304
A02E AA	Europe W+E	From Wk404		A02EB1-1.08	3139 127 01304	No		A02EB1-1.09	3139 127 01304
A02E AA	Europe W+E	From Wk404		A02EB1-1.09	?	No		A02EX1-2.02	3139 127 01534
A02E AA	Europe W+E	From Wk423		A02EB1-1.31	?	No		A02EX1-2.02	3139 127 01534
A02E AA	Europe W+E	From Wk444		A02EX1-2.02	3139 127 01534	No	Introduction of volume curve option using EWU option bit in th eSAM mode. EWU = OFF for 2k3 sets and EWU = ON for 2k3+.		
A02E AA	Europe W+E	From Wk421		A02EB1-1.23	?	No	Solved: Hang up and blue mute on normal picture		
A02E AA	Europe W+E	From Wk423		A02EB1-1.31	3139 127 01533	No	Solved: hang up issue		
A02E AA	Europe W+E	From Wk444		A02EX1-2.02	3139 127 01534	No	Only for service		
A02E AA	Europe W+E	From Wk444		A02EU04-2.4	3139 127 02291	No	Solved: Hang up and blue mute on normal picture		
A02E AA	Europe W+E	From Wk444		A02EU04-3.1	3139 127 02292	No	Solved: Hang up and blue mute on normal picture		
A02E AA	Europe W+E	From Wk444		A02EU04-3.22	3139 127 02293	No	Solved: Hang up and blue mute on normal picture		
A10A AA	China, non-TXT	From Wk026 and higher		A10AP1-1.0	9965 000 07276	No	Initial version	A10AP1-1.9	9965 000 07276
A10A AA	China, non-TXT	From Wk029 and higher		A10AP1-1.1	9965 000 07276	No	OSD of the a locked channel is not displayed - TV lock up/down channel of CVI - Comfilter switching problem at low signal - PIP OSD position in mode 1,2,3,4 - PIP OSD out of PIP window when in CVI - Dual I/II key problem on external channel - TV lock problem enter access code.	A10AP1-1.9	9965 000 07276
A10A AA	China, non-TXT	From Wk030 and higher		A10AP1-1.3	9965 000 07276	No	HeadPhone pop sound during PIP channel change - Adjust hue(tint) offset for non CVI - After manual store, the sound reset to theater - Hue value in CSM is 50. Whereas in normal mode is 0 - ACH to toggle RF source to AV source is not working when program list is on - Program list scrolling when av source is skipped problem - Contrast reduction when no video ident - Headphone not muted when PIP is on	A10AP1-1.9	9965 000 07276
A10A AA	China, non-TXT	From Wk034 and higher		A10AP1-1.4	9965 000 07276	No	IO expander set / reset SAW filter should be done for all AP region - Double window corruption - To fix warning message for PIP	A10AP1-1.9	9965 000 07276
A10A AA	China, non-TXT	From Wk052 and higher		A10AP1-1.5	9965 000 07276	No	Audio is in stereo in the line tune value in the instal submenu is adjusted and the line tune value is 40 DVD	A10AP1-1.9	9965 000 07276
A10A AA	China, non-TXT	From Wk052 and higher		A10AP1-1.6	9965 000 07276	No	Remove PIP submenu when the option PIPC is OFF - Headphone crosstalk problem - To mute headphone when no signal input and during PIP channel change - Colour could not be detected when plug-in Y/C cable problem	A10AP1-1.9	9965 000 07276
A10A AA	China, non-TXT	From Wk126 and higher		A10AP1-1.8	9965 000 07276	No	Sound is muted after perform line tuning and stored - White line is seen in 16:9 mode with DVD input in NTSC mode	A10AP1-1.9	9965 000 07276
A10A AA	China, non-TXT	From Wk201+C36 and higher		A10AP1-1.9	9965 000 07276	No			
A10A AA	AP PAL/Multi	From Wk034 and higher		A10AS1-1.0	9965 000 07277	No	Initial version	A10AS1-1.6	9965 000 07277
A10A AA	AP PAL/Multi	From Wk040 and higher		A10AS1-1.1	9965 000 07277	No	Teletext clock display - IO expander set / reset SAW filter should be done for all AP region - Double window corruption - Fix warning message for PIP	A10AS1-1.6	9965 000 07277
A10A AA	AP PAL/Multi	From Wk047 and higher		A10AS1-1.2	9965 000 07277	No	Remove PIP submenu when the option PIPC is OFF - Headphone crosstalk problem - To mute headphone when no signal input and during PIP channel change - Colour could not be detected when plug-in Y/C cable problem	A10AS1-1.6	9965 000 07277
A10A AA	AP PAL/Multi	From Wk126 and higher		A10AS1-1.4	9965 000 07277	No	White line is seen in 16:9 format with DVD input in NTSC mode.	A10AS1-1.6	9965 000 07277
A10A AA	AP PAL/Multi	From Wk126 and higher		A10AS1-1.6	9965 000 07277	No			
A10A AA	Middle East	From Wk036 and higher		A10AS2-1.0	9965 000 07281	No	Initial version	A10AS2-1.4	9965 000 07281
A10A AA	Middle East	From Wk040 and higher		A10AS2-1.1	9965 000 07281	No	IO expander set / reset SAW filter should be done for all AP region - Double window corruption - To fix warning message for PIP	A10AS2-1.4	9965 000 07281
A10A AA	Middle East	From Wk047 and higher		A10AS2-1.2	9965 000 07281	No	Remove PIP submenu when the option PIPC is OFF - Headphone crosstalk problem - To mute headphone when no signal input and during PIP channel change - Colour could not be detected when plug-in Y/C cable	A10AS2-1.4	9965 000 07281
A10A AA	Middle East	From Wk126 and higher		A10AS2-1.3	9965 000 07281	No	Dark page subtitle - Shift down OSD from first row - White line is seen in 16:9 format with DVD input in NTSC mode.	A10AS2-1.4	9965 000 07281
A10A AA	Middle East	From Wk126 and higher		A10AS2-1.4	9965 000 07281	No			
A10A AA	AP PAL/Multi	From Wk033 and higher		A10AT1-1.0	9965 000 07282	No	Initial version	A10AT1-1.6	9965 000 07282
A10A AA	AP PAL/Multi	From Wk034 and higher		A10AT1-1.1	9965 000 07282	No	Teletext clock display - IO expander set / reset SAW filter should be done for all AP region - Double window corruption - Fix warning message for PIP	A10AT1-1.6	9965 000 07282
A10A AA	AP PAL/Multi	From Wk044 and higher		A10AT1-1.2	9965 000 07282	No	Max cathode drive - Pops controllable by ComPair	A10AT1-1.6	9965 000 07282
A10A AA	AP PAL/Multi	From Wk052 and higher		A10AT1-1.3	9965 000 07282	No	Remove PIP submenu when the option PIPC is OFF - Headphone crosstalk	A10AT1-1.6	9965 000 07282
A10A AA	AP PAL/Multi	From Wk111 and higher		A10AT1-1.4	9965 000 07282	No	Dark state subtitle - Shift down OSD from first row	A10AT1-1.6	9965 000 07282
A10A AA	AP PAL/Multi	From Wk126 and higher		A10AT1-1.5	9965 000 07282	No	White line is seen in 16:9 format with DVD input in NTSC mode.	A10AT1-1.6	9965 000 07282
A10A AA	AP PAL/Multi	From Wk201 and higher		A10AT1-1.6	9965 000 07282	No			

Software Survey

SOFTWARE SURVEY									
CHASSIS	FAMILY	PRODUCTION CODE	UP TYPE/VERSION	IDENT	SERVICE CODE	HOTEL MODE ?	REMARKS TYPICAL FOR THIS SOFTWARE	REPLACED BY IDENT	SERVICE CODE
A10A AA	Middle East PAL/Multi (56), 100ppg TXT	From Wk037 and higher	SAA5667	A10A2T-1.0	9965 000 07283	No	Initial version	A10A2T-1.4	9965 000 07283
A10A AA	Middle East PAL/Multi (56), 100ppg TXT	From Wk040 and higher	SAA5667	A10A2T-1.1	9965 000 07283	No	IO expansion set / reset SAW filter should be done for all AP region - Double window corruption - Fix warning message for PIP	A10A2T-1.4	9965 000 07283
A10A AA	Middle East PAL/Multi (56), 100ppg TXT	From Wk052 and higher	SAA5667	A10A2T-1.2	9965 000 07283	No	Dark page subtitle (PR01) - Shift down OSD from first row - White line is seen in 16:9 format with DVD input in NTSC mode.	A10A2T-1.4	9965 000 07283
A10A AA	Middle East PAL/Multi (56), 100ppg TXT	From Wk201 and higher	SAA5667	A10A2T-1.3	9965 000 07283	No			
A10A AA	AP-NTSC (77), 97 non-TXT	From Wk037 and higher	SAA5645	A10A2T-1.1	9965 000 07284	No	Initial version	A10A2T-1.6	9965 000 07284
A10A AA	AP-NTSC (77), 97 non-TXT	From Wk107 and higher	SAA5645	A10A2T-1.3	9965 000 07284	No	Only mono sound can be heard upon mains ON - Headphone crosstalk problem	A10A2T-1.6	9965 000 07284
A10A AA	AP-NTSC (77), 97 non-TXT	From Wk126 and higher	SAA5645	A10A2T-1.5	9965 000 07284	No	White line is seen in DVD 16:9 mode.	A10A2T-1.6	9965 000 07284
A10A AA	AP-NTSC (77), 97 non-TXT	From Wk201 and higher	SAA5645	A10A2T-1.6	9965 000 07284	No			
A10A AA	AP-NTSC (61), non-TXT, CC	From Wk037 and higher	SAA5645	A10A2N2-1.1	9965 000 07285	No	Initial version	A10A2N2-1.6	9965 000 07285
A10A AA	AP-NTSC (61), non-TXT, CC	From Wk111 and higher	SAA5645	A10A2N2-1.2	9965 000 07285	No	Cancel all timer when hospitality mode is entered - Close Caption does not display after setting it to ON - Close Caption display problem in CVI mode - Lock icon can be seen in program list when CHLK is OFF - Left side of the screen is unblanked in blocked channel when sleep timer is ON and Close Caption is ON - Last status of sound detection - Error 16 & 13 reported in SDM when shorting SDM pins - Hospitality mode reset problem - No sound on channel 6 via	A10A2N2-1.6	9965 000 07285
A10A AA	AP-NTSC (61), non-TXT, CC	From Wk126 and higher	SAA5645	A10A2N2-1.5	9965 000 07285	No	White line is seen in DVD 16:9 mode.	A10A2N2-1.6	9965 000 07285
A10A AA	AP-NTSC (61), non-TXT, CC	From Wk201 and higher	SAA5645	A10A2N2-1.6	9965 000 07285	No			
A10A AA DVD	AP PAL/Multi (57, 69, 79), 100ppg TXT	From Wk041 and higher	SAA5667	A10ADT1-1.0	9965 000 07286	No	Initial version	A10ADT1-1.5	9965 000 07286
A10A AA DVD	AP PAL/Multi (57, 69, 79), 100ppg TXT	From Wk044 and higher	SAA5667	A10ADT1-1.1	9965 000 07286	No	Headphone mute when RF has no signal - *X* not shown when RCS INCR.	A10ADT1-1.5	9965 000 07286
A10A AA DVD	AP PAL/Multi (57, 69, 79), 100ppg TXT	From Wk111 and higher	SAA5667	A10ADT1-1.4	9965 000 07286	No	SURK pressed in DVD mode	A10ADT1-1.5	9965 000 07286
A10A AA DVD	AP PAL/Multi (57, 69, 79), 100ppg TXT	From Wk126 and higher	SAA5667	A10ADT1-1.5	9965 000 07286	No	White page subtitle problem - Shift down OSD from first row	A10ADT1-1.5	9965 000 07286
A10E AA	W.Europe, 10 page TXT	Production start	SAA5566/M3	A10ET1-1.0	n.a.	No	Initial version	A10ET1-1.7	3111 250 54511
A10E AA	W.Europe, 10 page TXT	Production	SAA5566/M3	A10ET1-1.1	9332 677 14557	No		A10ET1-1.7	3111 250 54511
A10E AA	W.Europe, 10 page TXT	From Wk 032	SAA5566/M3	A10ET1-1.2	n.a.	No		A10ET1-1.7	3111 250 54511
A10E AA	W.Europe, 10 page TXT	From Wk 034	SAA5566/M3	A10ET1-1.3	9332 681 58557	No		A10ET1-1.7	3111 250 54511
A10E AA	W.Europe, 10 page TXT	From Wk 036	SAA5566/M3	A10ET1-1.4	3111 250 54511	No		A10ET1-1.7	3111 250 54511
A10E AA	W.Europe, 10 page TXT	From Wk 128	SAA5566/M3	A10ET1-1.6	3111 250 54511	No	Solving of embarrassing Mute in EXT1 when DVD connected	A10ET1-1.7	3111 250 54511
A10E AA	W.Europe, 10 page TXT	From Wk 204	SAA5566/M3	A10ET1-1.7	3111 250 54511	No	Solving of DIST issue	A10ET1-1.7	3111 250 54511
A10E AA	W.Europe, 10 page TXT		SAA5566/M3	A10ET1-1.8	3111 250 54511	No		A10ET1-1.7	3111 250 54511
A10E AA	W.Europe, 100 page TXT	Production start	SAA5667	A10EP1-1.1	n.a.	No	When software version A10EP1-2.0 is used change: VERSION_MAIN_ID on address 02(HEX) from value 01 to 02 and VERSION_SUB_ID on address 13(HEX) from value 09 to 00. In NVM	A10EP1-2.0	3111 250 54501
A10E AA	W.Europe, 100 page TXT	From Wk 036	SAA5667	A10EP1-1.3	3111 250 54501	No	When software version A10EP1-2.0 is used change: VERSION_MAIN_ID on address 02(HEX) from value 01 to 02 and VERSION_SUB_ID on address 13(HEX) from value 09 to 00. In NVM	A10EP1-2.0	3111 250 54501
A10E AA	W.Europe, 100 page TXT	From Wk 116	SAA5667	A10EP1-1.4	3111 250 54501	No	When software version A10EP1-2.0 is used change: VERSION_MAIN_ID on address 02(HEX) from value 01 to 02 and VERSION_SUB_ID on address 13(HEX) from value 09 to 00. In NVM	A10EP1-2.0	3111 250 54501
A10E AA	W.Europe, 100 page TXT	From Wk 143	SAA5667	A10EP1-1.6	3111 250 54501	No	When software version A10EP1-2.0 is used change: VERSION_MAIN_ID on address 02(HEX) from value 01 to 02 and VERSION_SUB_ID on address 13(HEX) from value 09 to 00. In NVM	A10EP1-2.0	3111 250 54501
A10E AA	W.Europe, 100 page TXT	From Wk 215	SAA5667	A10EP1-2.0	3111 250 54501	No			
A10E AA	E.Europe, 100 page TXT	Prod. start from Wk 040	SAA5667	A10EP2-1.0	9965 000 07287	No	Initial version	A10EP2-1.2	9965 000 07287
A10E AA	E.Europe, 100 page TXT		SAA5667	A10EP2-1.2	9965 000 07287	No			
A10E AA	E.Europe, 100 page TXT		SAA5667	A10EP2-1.3	9965 000 17228	No			
A10E AA DPL	W.Europe, 100 page TXT	Prod. Start from Wk 039	SAA5667	A10ED1-1.0	9965 000 10425	No	Initial version	A10ED1-1.2	9965 000 10425
A10E AA DPL	W.Europe, 100 page TXT	Prod. Start from Wk 128	SAA5667	A10ED1-1.2	9965 000 10425	No			
A10E AA DPL	E.Europe, 100 page TXT		SAA5667	A10ED2-1.0	9965 000 07288	No	Initial version		
A10E AA DVD	W.Europe, 100 page TXT	Prod. Start from Wk 115	SAA5667	A10EDN1-1.1	9965 000 10426	No	Initial version	A10EDN1-1.5	9965 000 10426
A10E AA DVD	W.Europe, 100 page TXT	Prod. Start from Wk 126	SAA5667	A10EDN1-1.2	9965 000 10426	No	Also known by the A10EVD2EU1-1.2	A10EDN1-1.5	9965 000 10426
A10E AA DVD	W.Europe, 100 page TXT	Prod. Start from Wk 133	SAA5667	A10EDN1-1.3	9965 000 10426	No			
A10E AA DVD	W.Europe, 100 page TXT	Prod. Start from Wk 137	SAA5667	A10EDN1-1.5	9965 000 10426	No			
A10E AA DVD	ASDI 0 application	QG4	AM29LV160BT-90SC	Version 7.26	3104 123 85540	n.a.	Drift of OSD clock is solved		
A10E AA DVD	ASDI 0 servo	QG4	AM29LV160BT-90SC	Version 5.1.14	3104 123 85660	n.a.			
A10E AA DVD	ASDI 0 application software	QG5	AM29LV160BT-90SC	Version 4.15.M-0	3104 123 85660	n.a.			
A10E AA DVD	ASDI 0 servo	QG4	AM29F002T	Version 5.1.14	3104 123 85660	n.a.			
A10E AA DVD+DPL	W.Europe, 100 page TXT	Prod. Start from Wk 135	SAA5667	A10EDD1-1.0	9965 000 12349	No	Initial version	A10EDD1-1.3	9965 000 12349
A10E AA DVD+DPL	W.Europe, 100 page TXT	Prod. Start from Wk 208	SAA5667	A10EDD1-1.3	9965 000 12349	No	Drift of OSD clock is solved		
A10E AA DVD+DPL	ASDI 0 application	QG4	AM29LV160BT-90SC	Version 7.26	3104 123 85540	n.a.			
A10E AA DVD+DPL	ASDI 0 servo	QG4	AM29F002T	Version 5.1.14	3104 123 85660	n.a.			
A10E AA DVD+DPL	SDS 0 application software	QG5	AM29LV160BT-90SC	Version 4.15.M-0	9965 000 16405	n.a.			
A10E AA DVD+DPL	ASDI 0 servo	QG4	AM29F002T	Version 5.1.14	3104 123 85660	n.a.			
A10E AA DVD+DPL	E.Europe, 100 page TXT	Prod. Start from Wk 135	SAA5667	A10EVD1-1.0	9965 000 12350	No	Initial version	A10EVD1-1.3	9965 000 12350

Software Survey

SOFTWARE SURVEY									
CHASSIS	FAMILY	PRODUCTION CODE	UP TYPE/VERSION	IDENT	SERVICE CODE	HOTEL MODE ?	REMARKS TYPICAL FOR THIS SOFTWARE	REPLACED BY IDENT	SERVICE CODE
A10E AA DVD+DPL	E.Europe, 100 page TXT	Prod. Start from Wk.208	SAA5667	A10EVD1+1.3	9965 000 12350	No	Drift of OSD clock is solved	-	-
A10E AA DVD+DPL	ASDI 0 application	Q64	AM29LV160BT+90SC	Version 7.26	3104 123 85540	n.a.			
A10E AA DVD+DPL	ASDI 0 servo	Q64	AM29F002T	Version 5.1.14	3104 123 85660	n.a.			
A10E AA DVD+DPL	SD3.0 application software	Q65	AM29LV160DT+90SC	Version 4.15 M-0	9965 000 16405	n.a.			
A10E AA DVD+DPL	ASDI 0 servo	Q64	AM29F002T	Version 5.1.14	3104 123 85660	n.a.			
A10E AA DVD+DPL	W.Europe, Digital TV	Prod. Start from Wk.223	SAA5667	A10EGN1-1.0	9965 000 14559	No		A10EGN1-1.3	9965 000 14559
A10E AA DVD+DPL	W.Europe, Digital TV	Prod. Start from Wk.224	SAA5667	A10EGN1-1.1	9965 000 14559	No		A10EGN1-1.3	9965 000 14559
A10E AA DVD+DPL	W.Europe, Digital TV	Prod. Start from Wk.227	SAA5667	A10EGN1-1.3	9965 000 14559	No		-	-
A10E AA DVD+DPL	W.Europe, Digital TV	Prod. Start from Wk.232	SAA5667	A10EGN1-1.4	3111 250 54851	No		-	-
A10E AA DVD+DPL	ASDI 0 application software	Q64	AM29LV160BT+90SC	Version 7.26	3104 123 85540	n.a.			
A10E AA DVD+DPL	SD3.0 application software	Q65	AM29LV160DT+90SC	Version 4.15 M-0	9965 000 16405	n.a.			
A10E BB	W.Europe, Digital TV	Prod. Start from Wk.335	SAA5667	A10EWH1.2	3111 250 54851	No			
EM1A	Cluster 1AP1	Production start	SAA5677HLJ/M1	EM11A1_2.0_02871	3104 317 02871		First release in production	EM11A1_2.1_02821	3104 317 02821
EM1A	Cluster 1AP1	From week 0100	SAA5677HLJ/M1	EM11A1_2.0_03021	3104 317 03021			EM11A1_2.4_03261	3104 317 03261
EM1A	Cluster 1AP1	From week 0128	SAA5677HLJ/M1	EM11A1_2.4_03261	3104 317 03261		New MSP B8-version		
EM1A	Cluster 1AP1	From week 0203	SAA5647HLJ/M1	EM11A1_3.0_03571	3104 317 03571		Only for 34PTB419. Solution for Microphony (reduced bass-settings), PIP-AGC to B. Bass control option, Base/Teble test. Solution for possible NVW data corruption.	EM11A1_3.2_03821	3104 317 03821
EM1A	Cluster 1AP1	From week 0220	SAA5647HLJ/M1	EM11A1_3.2_03821	3104 317 03821				
EM1A	Cluster 2AP1	Production start	SAA5667HLJ/M1	EM12A1_2.0_02881	3104 317 02881				
EM1A	Cluster 2AP1	From week 0109	SAA5667HLJ/M1	EM12A1_2.1_02931	3104 317 02931			EM12A1_2.1_02831	3104 317 02831
EM1A	Cluster 2AP1	From week 0128	SAA5667HLJ/M1	EM12A1_2.4_03271	3104 317 03271			EM12A1_2.4_03271	3104 317 03271
EM1A	Cluster 2AP1	From week 0204	SAA5667HLJ/M1	EM12A1_3.0_03611	3104 317 03611		New MSP B8-version.		
EM1A	Cluster 2AP1	AG08+C81	SAA5667HLJ/M1	EM12A1_3.0_03631	3104 317 03631		Only for 29PTB419. Microphony solution (reduced bass-settings).		
EM1A	Cluster 2AP1	From week 0222	SAA5667HLJ/M1	EM12A1_1.0	9965 000 14382		Only for 34PTB419. Microphony solution (reduced bass-settings).		
EM1A	Cluster 2AP1	From week 0232	SAA5667HLJ/M1	EM1A21_1.2	9965 000 14382		Only for 2934PTB420. Solution for Missing Chinese characters in Dynamic Contrast menu.		
EM1A	Cluster 2AP2	Production start	SAA5667HLJ/M1	EM12A2_2.0_02891	3104 317 02891				
EM1A	Cluster 2AP2	AG01, from week 0128	SAA5667HLJ/M1	EM12A2_2.4_03281	3104 317 03281		New MSP B8-version.	EM12A2_2.4_03281	3104 317 03281
EM1A	Cluster 2AP2	From week 0208	SAA5667HLJ/M1	EM12A2_3.0_03621	3104 317 03621		Only for 34PTB419. Microphony solution (reduced bass-settings).		
EM1A	Cluster 2AP2	From week 0222	SAA5667HLJ/M1	EM1A22_1.0	9965 000 14383		Only for 2934PTB420. Solution for Subwoofer not muted during channel change. Incorrect Chinese characters in 'Digital Option'.	EM1A22_1.1	9965 000 14383
EM1A	Cluster 2AP2	From week 0234	SAA5667HLJ/M1	EM1A22_1.1	9965 000 14383				
EM1A-NTSC	Cluster 3AP1	From week 0133	SAA5677HLJ/M1	EM13A1_1.1_03321	3104 317 03321				
EM1A-NTSC	Cluster 3AP1	From week 0134	SAA5677HLJ/M1	EM13A1_1.2_03371	3104 317 03371			EM13A1_1.2_03351	3104 317 03351
EM1A-NTSC	Cluster 3AP1	From week 0135	SAA5677HLJ/M1	EM13A1_1.3_03371	3104 317 03371			EM13A1_1.3_03371	3104 317 03371
EM1A-NTSC	Cluster 3AP1	AG02, from week 0208	SAA5677HLJ/M1	EM13A1_3.0_03661	3104 317 03661		Only for 34PTB419. Microphony solution (reduced bass-settings).		
EM1A-NTSC	Cluster 3AP1	From week 0222	SAA5677HLJ/M1	EM1A31_1.0	9965 000 14384		Only for 2934PTB420. Solution for: Several OSD problems. Channel does not change when Lock Channel list is logged.	EM1A31_1.1	9965 000 14384
EM1A-NTSC	Cluster 3AP1	From week 0234	SAA5677HLJ/M1	EM1A31_1.1	9965 000 14384				
EM1A-NTSC	Cluster 3AP2	From week 0133	SAA5677HLJ/M1	EM13A2_1.1_03331	3104 317 03331				
EM1A-NTSC	Cluster 3AP2	From week 0134	SAA5677HLJ/M1	EM13A2_1.2_03381	3104 317 03381			EM13A2_1.2_03361	3104 317 03361
EM1A-NTSC	Cluster 3AP2	From week 0135	SAA5677HLJ/M1	EM13A2_1.3_03381	3104 317 03381			EM13A2_1.3_03381	3104 317 03381
EM1A-NTSC	Cluster 3AP2	From week 0211	SAA5677HLJ/M1	EM13A2_2.0_03481	3104 317 03481			EM13A2_2.0_03481	3104 317 03481
EM1A-NTSC	Cluster 3AP2	AG02, from week 0208	SAA5677HLJ/M1	EM13A2_3.0_03651	3104 317 03651		Only for 34PTB419. Microphony solution (reduced bass-settings).		
EM1A-NTSC	Cluster 3AP2	From week 0222	SAA5677HLJ/M1	EM1A32_1.0	9965 000 14385		Only for 2934PTB420. Solution for: Several OSD problems. Channel does not change when Lock Channel list is logged.	EM1A32_1.1	9965 000 14385
EM1A-NTSC	Cluster 3AP2	From week 0234	SAA5677HLJ/M1	EM1A32_1.1	9965 000 14385				
EM1A-NTSC	Cluster 3AP2	From week 0250	SAA5677HLJ/M1	EM1A32_2.4	9965 000 20631				
EM1-1A			SAA5695HLJ/M1	EM1A21-1.2, EM11-1A-AA	9965 000 20298				
EM1-1A		From week 426	SAA5695HLJ/M1	EM1A21-2.1, EM11A-AA	9965 000 24573				
EM1-1A			SAA5695HLJ/M1	EM1A22-1.2, EM11-1A-AA	9965 000 20405				
EM1-1A		From week 426	SAA5695HLJ/M1	EM1A22-2.1, EM11-1A-AA	9965 000 24574				
EM1-2A	-71	From week 343	SAA5677HLJ/M1	EM1A31-1.4, EM12-2A-AA	3139 127 00911				
EM1-2A	-61	From week 343	SAA5697HLJ/M1	EM1A32-1.3, EM12-2A-AA	3139 127 00901				
EM1-2A			SAA5677HLJ/M1	EM1A31-1.1, EM12-AA-AA	9965 000 20439				
EM1-2A			SAA5677HLJ/M1	EM1A32-1.1, EM12-AA-AA	9965 000 20440				
EM1L	Cluster 1LT1	From week 0126	SAA5677HLJ/M1	EM11L1_1.1_03401	3104 317 03401			EM11L1_2.0_03781	3104 317 03781
EM1L	Cluster 1LT1	From week 0212	SAA5677HLJ/M1	EM11L1_2.0_03781	3104 317 03781				
EM1L	Cluster 2LT1	From week 0136	SAA5677HLJ/M1	EM12L1_1.2_03411	3104 317 03411				
EM1L	Cluster 2LT1	From week 0212	SAA5677HLJ/M1	EM12L1_2.0_03791	3104 317 03791				
N6	Cluster 2US1	Production start	SAA5677HLJ/M1	EM12U1_2.2_03391	3104 317 03391		Only for 34PTB419/78. Adapted for using CompPair tool.		
N6	Cluster 2US1	From week 0212	SAA5677HLJ/M1	EM12U1_3.0_03801	3104 317 03801			EM12U1_3.0_03801	3104 317 03801

Software Survey

SOFTWARE SURVEY									
CHASSIS	FAMILY	PRODUCTION CODE	UP TYPE/VERSION	IDENT	SERVICE CODE	HOTEL MODE ?	REMARKS TYPICAL FOR THIS SOFTWARE	REPLACED BY IDENT	SERVICE CODE
	Cluster 3US1	From week 0140	SAA5677HLIM1	EM13U1_1.3_03461	3104 317 03461				
P8	Cluster 4US1	From week 0220	SAA5677HLIM1	EM14U1_2.0_04001	3104 317 04001				
EM1*	FBX	From week 0007		EMG_REP1_02221	3104 317 42221			EMG_REP2_02341	3104 317 42341
EM1*	FBX	From week 0012		EMG_REP2_02341	3104 317 42341			EMG_REP3_02481	3104 317 42481
EM1*	FBX	From week 0027		EMG_REP3_02481	3104 317 42481		For EM1A: use 3104 317 42391. For EM1L and EM1A-NTSC: use 3104 317 42741.		
EM1L, EM1A-NTSC	FBX	From week 0042		EMG_MERGE1_02741	3104 317 42741				
EM1A	FBX	From week 0112		EMG_MERGE2_02961	3104 317 42961				
Ng, P8	FBX			EMG_MERGE3_03241	3104 317 43241				
EM5A, NTSC	UP	Production start (0240)		EM5AN1_1.0_04081	3104 317 44081		Solved: OSD translation errors in Hangul and Chinese.	EM5AN1_1.2_04281	3104 317 44281
EM5A, NTSC	UP	AG02, from week 0304		EM5AN1_1.2_04281	3104 317 44281		Solved: OSD translation errors in Hangul and Chinese, H, and V adjustments added for 2H inputs.	EM5AN1_1.3_04671	3104 317 44671
EM5A, NTSC	UP	AG03, from week 0319		EM5AN1_1.3_04671	3104 317 44671				
EM5E	UP	Production start (0240)		EM5EU1_1.4_04111	3104 317 44111			EM5EU1_2.3_04181	3104 317 44181
EM5E	UP	AG02, from week 0244		EM5EU1_2.3_04181	3104 317 44181		New: Alignments and Options must be 'stored' before leaving SAM (not valid for USA). Solved: Several TXT problems, EPG hang-ups, Permanent OSD.	EM5EU1_2.4_04251	3104 317 44251
EM5E	UP	AG03, from week 0250		EM5EU1_2.4_04251	3104 317 44251		Solved: EPG hang-up problems.	EM5EU1_2.5_04411	3104 317 44411
EM5E DVD	UP	Production start		EM5EU1_2.2_04081	3104 317 44081			EM5EU1_2.3_04181	3104 317 44181
EM5E DVD	UP	AG02, from week 0248		EM5EU1_2.3_04181	3104 317 44181		New: Alignments and Options must be 'stored' before leaving SAM (not valid for USA). Solved: Several TXT problems, EPG hang-ups, Permanent OSD.	EM5EU1_2.4_04251	3104 317 44251
EM5E DVD	UP	AG03, from week 0250		EM5EU1_2.4_04251	3104 317 44251		Solved: EPG hang-up problems.	EM5EU1_2.5_04411	3104 317 44411
EM5E DVD	UP	From week 0025		EM5EU1_2.5_04411	3104 317 44411		Solved: On some channels wrong date in EPG. Spontaneous preset changes. Set sometimes goes into protection in Full Power Standby. No start-up when EasyLink device is connected to EX2.		
EM5E DVD	UP	From week 0402		EM5EU1_2.6_05701	3104 317 45701		Service solution for: No image with SECAM picture on preset 1 coming from standby.	EM5EU1_2.6_05701	3104 317 45701
EM5E DVD	UP	From week 0402		EM5EU1_2.7_06301	3104 317 46301		Service solution for: Blocking sets		
EM5L	UP	Production start (0304)		EM5LT1_1.1_04471	3104 317 44471				
R8	UP	Production start		EM5US1_1.0_04011	3104 317 04011				
EM5E/U/LAL	FBX (PixelPlus)	From week 0021		RE1F2_06	3104 317 43881		Solved: Bad display of non-interlaced signals ABAB mode.		
EM5E/U/LAL	FBX (PixelPlus)	Only for Service		RE1F2_07	3104 317 44521		Service solution for: Halo effect (waterly rims around moving objects).		
EM5E/U/LAL	FBX (non PixelPlus)	From week 0025		RNEF2_03701	3104 317 43701				
EM5E/U/LAL	FBX (PixelPlus)			RNEF2_02	3104 317 45321		Only 32PW6887112 and 32PW690879R		
R8	DDC-NVM for DVI	Production start		EM5U_DVI_04511	3104 317 04511				
EM5-1E	xxPW9308	Production start (0313)		EM51EU_1.1_04791	3104 317 44791			EM51EU_1.2_04941	3104 317 44941
EM5-1E	xxPW9308	From week 0409		EM51EU_1.2_04941	3104 317 44941		Solved: Missing Greek "H" character in TXT.	EM51EU_1.3_06481	3104 317 46481
EM5-1E	xxPW9308/xxPW9319	From week 0411		EM51EU_1.3_06481	3104 317 46481		add acoustical settings		
EM5-1E	4-3	Production start (0312)		EM51EU_2.0_04791	3104 317 44791			EM51EU_2.1_04911	3104 317 44911
EM5-1E	4-3			EM51EU_2.1_04911	3104 317 44911			EM51EU_2.2_05001	3104 317 45001
EM5-1E	4-3			EM51EU_2.2_05001	3104 317 45001			EM51EU_2.3_05101	3104 317 45101
EM5-1E	4-3			EM51EU_2.3_05101	3104 317 45101		Solved: Missing Greek "H" character in TXT. Picture expands vertically after program change.		
EM5-1E	4-3			EM51EU_2.4_06481	3104 317 46481				
EM5-1E	xxPW9528			EM51EU_3.0_05111	3104 317 45111			EM51EU_3.1_05121	3104 317 45121
EM5-1E	xxPW9528	From week 0408		EM51EU_3.1_05121	3104 317 45121			EM51EU_3.2_05211	3104 317 45211
EM5-1E	xxPW9528			EM51EU_3.2_05211	3104 317 45211		Solved: Missing Greek "H" character in TXT.		
EM5-1U	UP	Production start (0304)		EM5US_2.0_04391	3104 317 44391		Solution for: Crash during start-up when [Voil] button is pushed constantly. Clock extraction problem.	EM5US_2.1_04401	3104 317 44401
EM5-1U	UP	Week 0316 and higher		EM5US_2.1_04401	3104 317 44401		Solution for: Lightsensor status indication problem in Dealer menu. PixelPlus demo problem.		
EM5-1E	FBX	Production start (0312)		RE1F2_NSAC_03	3104 317 44671			EM5_FBX_03861	3104 317 43861
EM5-1E	FBX			RE1F2_NSAC_05	3104 317 46311				
EM5-3E				EM53EU_1.0_06341	3104 317 46341			EM53EU_1.1_06351	3104 317 46351
EM5-3E				EM53EU_1.1_06351	3104 317 46351			EM53EU_1.2_06571	3104 317 46571
EM5-3E				EM53EU_1.2_06571	3104 317 46571			EM53EU_1.4_06891	3104 317 46891
EM5-3E				EM53EU_1.4_06891	3104 317 46891				
EM5-3E				EM53EU_1.5_07951	3104 317 47051		Solved: Faulty clock function. Set hangs when navigating through menu.		
EM5-3A P/M	xxPW9520/xx xxPT9421/xx			EM53AP_1.0_06801	3104 317 46801				
EM5-3	FBX			RE1C_COL_CRT_01	3104 317 46281				

Software Survey

SOFTWARE SURVEY									
CHASSIS	FAMILY	PRODUCTION CODE	UP TYPE/VERSION	IDENT	SERVICE CODE	HOTEL MODE ?	REMARKS TYPICAL FOR THIS SOFTWARE	REPLACED BY IDENT	SERVICE CODE
EM5.3	FBX			REIC_COL_CRT_02	3104.317.46561				
EM5.3	FBX			REIC_COL_CRT_03	3104.317.46641			REIC_COL_CRT_03	3104.317.46641
EM5.3	FBX			REIC_COL_CRT_04	3104.317.07001		For AP sets only		
EM6E AA	UP			EM6EU1_1.0_04651	3104.317.44651			EM6EU1_1.1_04771	3104.317.44771
EM6E AA	UP			EM6EU1_1.1_04771	3104.317.44771			EM6EU1_1.2_04851	3104.317.44851
EM6E AA	UP			EM6EU1_1.2_04851	3104.317.44851			EM6EU1_1.3_04861	3104.317.44861
EM6E AA	UP	Week 0324 and higher		EM6EU1_1.3_04861	3104.317.44861		Solved: Missing Greek 'H' character in TXT.		
EM6E AA	UP			EM6EU1_1.4_05671	3104.317.45671				
EM6E AA (HDD)	UP			EM6EU1_2.1_05151	3104.317.45151			EM6EU1_2.2_05471	3104.317.45471
EM6E AA (HDD)	UP			EM6EU1_2.2_05471	3104.317.45471			EM6EU1_2.3_05551	3104.317.45551
EM6E AA (HDD)	UP			EM6EU1_2.3_05551	3104.317.45551			EM6EU1_2.4_05681	3104.317.45681
EM6E AA (HDD)	HDMI			HDMI_SW_2.5.0	3104.317.04721				
EM6E AA (HDD)	HDMI			HDMI_SW_2.5.2	3104.317.06101				
EM6E AB	UP			EM6EU1_3.0_04921	3104.317.04921			EM6EU1_3.1_04951	3104.317.04951
EM6E AB	UP			EM6EU1_3.1_04951	3104.317.04951			EM6EU1_3.2_05201	3104.317.05201
EM6E AB	UP			EM6EU1_3.2_05201	3104.317.05201			EM6EU1_3.3_05261	3104.317.05261
EM6E AB	UP			EM6EU1_3.3_05261	3104.317.05261			EM6EU1_3.4_05271	3104.317.05271
EM6E AB	UP			EM6EU1_3.4_05271	3104.317.05271			EM6EU1_3.5_05461	3104.317.05461
EM6E AB	UP			EM6EU1_3.5_05461	3104.317.05461			EM6EU1_3.6_05541	3104.317.05541
EM6E AB	UP			EM6EU1_3.6_05541	3104.317.05541				
EM6E AB	RDS Radio			Version 1.0.2	3104.317.04931			Version 1.0.5	3104.317.04981
EM6E AB	RDS Radio			Version 1.0.5	3104.317.04981			Version 1.0.7	3104.317.05191
EM6E AB	RDS Radio			Version 1.0.7	3104.317.05191			Version 1.0.8	3104.317.05431
EM6E AB	RDS Radio			Version 1.0.8	3104.317.05431				
EM6E	FBX			REF2_NSAC_03	3104.317.44671				
F2IRE AA	Ebox-SSP EU/AP			F2IRE1_1.0_00247	3122.357.40247			F2IRE1_1.1_00248	3122.357.40248
F2IRE AA	Ebox-SSP EU/AP			F2IRE1_1.1_00248	3122.357.40248			F2IRE1_1.2_00341	3122.357.40341
F2IRE AA	Ebox-SSP EU/AP			F2IRE1_1.2_00341	3122.357.40341		Solved: Double height in EPG with zoom button, EU/USA diversity added to display alignment settings. EPG in combination with DW or PIP, subtitles not always shown, info line in TXT mode not completely visible, in combination with FTV1.9, missing TXT lines in EPG.	F2IRE1_1.5_00342	3122.357.40342
F2IRE AA	Ebox-SSP EU/AP			F2IRE1_1.5_00342	3122.357.40342		Pre-defined last status value for brightness level depended of the monitor type option	F2IRE1_1.6_00343	3122.357.40343
F2IRE AA	Ebox-SSP EU/AP	AG01 and higher, week 225 onwards		F2IRE1_1.6_00343	3122.357.40343		The software can handle monitors of FTV1.9, FM23, FM24 and FM25. For the AV-Interface has to be set accordingly. This software is a built-in monitor detection system for the FM23, FM24 and FM25. For this the jumpers on the AV-Interface has to be set for FM23 and the monitor type option (NVM) also has to be set for FM23.	F2IRE1_1.7_00344	3122.357.40344
F2IRE AA	Ebox-SSP EU/AP			F2IRE1_1.7_00344	3122.357.40344		Switching on/off scaler implemented as result option numbers have been changed. Option code 3 changed from 49555 into 49587.	F2IRE1_1.8_00345	3122.357.40345
F2IRE AA	Ebox-SSP EU/AP	AG02 and higher		F2IRE1_1.8_00345	3122.357.40345		Solution for light part on top of the screen in TV mode, NTSC colour problems in AP	F2IRE1_1.9_00346	3122.357.40346
F2IRE AA	Ebox-SSP EU/AP			F2IRE1_1.9_00346	3122.357.40346		Not used in production (only service release). Problems solved: Brightness is set to 49, Secam detection is disabled when 60Hz is detected, (wrong colour detection problem), vertical wait is changed from 22 to 27 (solves 4-5 the white lines on top of the screen) and DVDR P50 communication problem.	F2IRE1_2.0_04801	3104.317.44681
F2IRE AA/AB	Ebox-SSP EU/AP			F2IRE1_2.0_04801	3104.317.44601			F2IRE1_2.1_04881	3104.317.44681
F2IRE AA/AB	Ebox-SSP EU/AP			F2IRE1_2.1_04881	3104.317.44681			F2IRE1_2.2_04761	3104.317.44761
F2IRE AA/AB	Ebox-SSP EU/AP			F2IRE1_2.2_04761	3104.317.44761			F2IRE1_2.3_05351	3104.317.45351
F2IRE AA/AB	Ebox-SSP EU/AP			F2IRE1_2.3_05351	3104.317.45351				
F2IRE AA/AB	Ebox-SSP EU/AP			F2IRE1_2.3_05351	3104.317.45351		Zapping problem and clamping problem is solved by changing the Hop brightness from 15 to 12 (white horizontal band on top of the screen)	F2IRE1_2.4_05451	3104.317.45451
F2IRE AA/AB	Ebox-SSP EU/AP			F2IRE1_2.4_05451	3104.317.45451		Zapping problem from version 2.3 is solved (zapping takes too long).	F2IRE1_2.5_05481	3104.317.45481
F2IRE AA/AB	Ebox-SSP EU/AP			F2IRE1_2.5_05481	3104.317.45481		Solved: Several TXT problems.	F2IRE1_2.6_05491	3104.317.45491
F2IRE AA/AB	Ebox-SSP EU/AP			F2IRE1_2.6_05491	3104.317.45491		Solved: wrong & character in program name on Nedfieldand 3 transmission	F2IRE1_2.7_06831	3104.317.46831
F2IRE AA/AB	Ebox-SSP EU/AP			F2IRE1_2.7_06831	3104.317.46831				
F2IRE AA/AB	Ebox-SSP EU/AP	Not used in production		F2IRE1_3.0_06791	3104.317.46791		Service solution for sound interruptions with overmodulated antenna signals in System B/GH (Especially India).	n.a.	n.a.
F2IRU AA	Ebox-SSP USA			F2IRU1_1.1_00362	3104.317.43081			F2IRU1_1.1_00362	3122.357.40362
F2IRU AA	Ebox-SSP USA			F2IRU1_1.1_00362	3122.357.40362			F2IRU1_1.2_00364	3122.357.40364
F2IRU AA	Ebox-SSP USA			F2IRU1_1.2_00364	3122.357.40364			F2IRU1_1.3_00365	3122.357.40365
F2IRU AA	Ebox-SSP USA			F2IRU1_1.3_00365	3122.357.40365			F2IRU1_1.4_00366	3122.357.40366
F2IRU AA	Ebox-SSP USA	AG01 and higher, week 222 onwards		F2IRU1_1.4_00366	3122.357.40366		Solved: Hang ups due to DW, caused by a problem during initialisation of the PO-POP.	F2IRU1_1.8_00368	3122.357.40368
F2IRU AA	Ebox-SSP USA	AG01 and higher, week 233 onwards		F2IRU1_1.8_00368	3122.357.40368		This software can handle monitors of FTV1.9, FM23, FM24 and FM25. For the AV-Interface has to be set accordingly. This software has a built-in monitor auto-detection system for the FM23, FM24 and FM25. For this the jumpers on the AV-Interface has to be set for FM23 and the monitor type option (NVM) also has to be set for FM23.	F2IRU1_1.9_00669	3122.357.40669
F2IRU AA	Ebox-SSP USA			F2IRU1_1.9_00669	3122.357.40669				
F2IRU AA	Ebox-SSP USA			F2IRU1_1.9_00669	3122.357.40669		Solved: Some FDW problems.	F2IRU1_1.11_00432	3122.357.40432

Software Survey

SOFTWARE SURVEY									
CHASSIS	FAMILY	PRODUCTION CODE	UP TYPE/VERSION	IDENT	SERVICE CODE	HOTEL MODE ?	REMARKS TYPICAL FOR THIS SOFTWARE	REPLACED BY IDENT	SERVICE CODE
F21RU AA	Ebox-SSP USA			F21RU1_1.10_00431	3122 357 40431			F21RU1_1.11_00432	3122 357 40432
F21RU AA	Ebox-SSP USA	AG03		F21RU1_1.11_00432	3122 357 40432		Solved: Picture blanking when watching a 1fr signal on AV4 and any other signal is connected to AV3 Y-input.	F21RU1_2.0_04691	3104 317 44591
F21RU AB	Ebox-SSP USA			F21RU1_2.0_04591	3104 317 44591		Solved: Standby problem (takes 15 min. to go to STBY). Change option of "Service Options": 'Miscellaneous', 'Region' into AP, NTSC, LATAM, or US.	F21RU1_2.1_04691	3104 317 44691
F21RU AB	Ebox-SSP USA	AG1B		F21RU1_2.1_04691	3104 317 44691			F21RU1_2.2_04731	3104 317 44731
F21RU AB	Ebox-SSP USA			F21RU1_2.2_04731	3104 317 44731				
F21RU	Ebox-AV Interface enhanced		EPLD	F21RU1_3.4_00391	3122 357 40391				
F21REJ AA	Ebox-FBX			V1.3	3122 357 40134			X6F2V13_V1.3	3122 357 40234
F21REJ AA	Ebox-FBX			X6F2V13_V1.3	3122 357 40234		Solved: Due to refresh of the FBX by the main software some registers for 60Hz mode in the FBX were incorrectly reset.	X6F2V13_V1.4	3122 357 40235
F21REJ AA	Ebox-FBX			X6F2V13_V1.4	3122 357 40235		Solved: Vertical zoom in automat is reduced for 4:3 pictures. Upper part of picture jitters with certain DVD or VLP in still picture mode (freeze).	X6F2V13_V1.4	3122 357 40236
F21REJ AA	Ebox-FBX			X6F2V13_V1.5	3122 357 40236				
F21REJ AA	Ebox-FBX			REN2_FTV_01_04331	3104 317 44331			REN2_FTV_01_04332	3104 317 44332
F21REJ AA	Ebox-FBX			REN2_FTV_01_04332	3104 317 44332				
F22RE AA	Ebox-SSP EU/AP			F22RE1_1.1_04641	3104 317 44641			F22RE1_1.2_04701	3104 317 44701
F22RE AA	Ebox-SSP EU/AP			F22RE1_1.2_04701	3104 317 44701			F22RE1_1.3_04741	3104 317 44741
F22RE AA	Ebox-SSP EU/AP			F22RE1_1.3_04741	3104 317 44741			F22RE1_1.4_04881	3104 317 44881
F22RE AA	Ebox-SSP EU/AP	AG01		F22RE1_1.4_04881	3104 317 44881		Solved: Problems regarding digital video distortion.	F22RE1_1.5_05041	3104 317 44941
F22RE AA	Ebox-SSP EU/AP			F22RE1_1.5_05041	3104 317 44941			F22RE1_1.6_05041	3104 317 45041
F22RE AA	Ebox-SSP EU/AP			F22RE1_1.6_05041	3104 317 45041			F22RE1_1.7_05051	3104 317 45051
F22RE AA	Ebox-SSP EU/AP			F22RE1_1.7_05051	3104 317 45051		Solved: Set goes into protection after zapping. Sound without picture after	F22RE1_1.8_05051	3104 317 45051
F22RE AA	Ebox-SSP EU/AP			F22RE1_1.8_05051	3104 317 45051		Solved: PixelPlus demo mode problems.	F22RE1_1.9_05051	3104 317 45051
F22RE AA	Ebox-SSP EU/AP			F22RE1_1.9_05051	3104 317 45051		Solved: Name of external AV-inputs is not stored.		
F22RE AA	Ebox-SSP EU/AP			F22RE1_1.A_06251	3104 317 46251		Solved: TV Menu is changed in TV in with cinema-link and greek character H		
F22RE AA	Ebox-SSP EU/AP			F22RE1_1.B_06781	3104 317 46781		Service solution for: Sound interruptions with overmodulated antenna signals in system B/G/H (especially India).		
F22RE AA	Ebox-SSP EU/AP			F22RE1_2.0_07641	3104 317 47641		Service solution for: Sound cracking due to overmodulated antenna signals in system D/K (especially China).		
F22RE AA	Ebox-SSP EU/AP			F22RE1_3.0_08791	3104 317 48791				
F22RU AA	Ebox-SSP USA			F22RU1_1.0_04611	3104 317 44611			F22RU1_1.1_04631	3104 317 44631
F22RU AA	Ebox-SSP USA			F22RU1_1.1_04631	3104 317 44631			F22RU1_1.2_04751	3104 317 44751
F22RU AA	Ebox-SSP USA			F22RU1_1.2_04751	3104 317 44751			F22RU1_1.3_04811	3104 317 44811
F22RU AA	Ebox-SSP USA			F22RU1_1.3_04811	3104 317 44811			F22RU1_1.4_04991	3104 317 44991
F22RU AA	Ebox-SSP USA			F22RU1_1.4_04991	3104 317 44991			F22RU1_1.5_05361	3104 317 45361
F22RU AA	Ebox-SSP USA			F22RU1_1.5_05361	3104 317 45361				
F22REJ AA	Ebox-FBX			RE1F2_FTV_02_04661	3104 317 44661				
FM23/FM24	Monitor-OTC basic	AG98 and higher		FM23GB-1.1-00272	3122 357 00272			FM23GB-1.3-00274	3122 357 00274
FM23/FM24	Monitor-OTC basic			FM23GB-1.2-00273	3122 357 00273			FM23GB-1.3-00274	3122 357 00274
FM23/FM24/FM33	Monitor-OTC basic			FM23GB-1.3-00274	3122 357 00274		Solution for: reliable working of service pins, in CompPair mode monitor can be switched to SDI, standby, etc.	FM23GB-1.4-00275	3122 357 00275
FM23/FM24/FM33	Monitor-OTC basic			FM23GB-1.5-00275	3122 357 00275		Solution for: VGA direct key does not always function according specification, protection, no sound after switching from AV3 YChCr to AV3 Auto and vice versa, error code 12, sometimes there is no picture or sound after switching on the monitor and E-box, green lines visible at the bottom of the screen after panama on 1fr sources.	FM23GA-1.6-00382	3122 357 00382
FM23/FM24	Monitor-OTC enhanced			FM23GE-1.4-00381	3122 357 00381			FM23GE-1.6-00382	3122 357 00382
FM23/FM24	Monitor-OTC enhanced			FM23GA-1.6-00382	3122 357 00382		Solution for: Green flickering screen on AV3 1fr input, when selecting AV3 480p for the first time the picture is blanking/unblanking continuously, green lines visible at the bottom of the screen after panning on 1fr sources, when AV3 is selected sometimes the images is not detected, picture shift not stored in NVM, ITV functionality added. Problems with ADC alignment in panel mode and vsVa alignment are solved.	FM23GA-1.9-00384	3122 357 00384
FM23/FM24	Monitor-OTC enhanced			FM23GA-1.9-00384	3122 357 00384			FM23GA-2.0-00385	3122 357 00385
FM23/FM24/FM33	Monitor-OTC enhanced			FM23GA-2.0-00385	3122 357 00385			FM23GA-2.2-00387	3122 357 00387
FM23/FM24/FM33	Monitor-OTC enhanced			FM23GA-2.2-00387	3122 357 00387			FM23GA-2.3-00388	3122 357 00388
FM23/FM24/FM33	Monitor-OTC enhanced			FM23GA-2.3-00388	3122 357 00388				
FM23/FM24	Monitor-P.W.			FM23GB-1.2-00283	3122 357 00283			FM23GB-1.3-00284	3122 357 00284
FM23/FM24	Monitor-P.W.			FM23GB-1.3-00284	3122 357 00284			FM23GB-1.5-00285	3122 357 00285
FM23/FM24	Monitor-P.W.			FM23GB-1.5-00285	3122 357 00285			FM23GA-1.7-00269	3122 357 00269
FM23/FM24/FM33	Monitor-P.W.			FM23GA-1.7-00269	3122 357 00269			FM23GA-2.0-00422	3122 357 00422
FM23/FM24/FM33	Monitor-P.W.			FM23GA-1.7-00421	3122 357 00421			FM23GA-2.1-00423	3122 357 00423
FM23/FM24/FM33	Monitor-P.W.			FM23GA-2.0-00422	3122 357 00422		First release FM2.42	FM23GA-2.1-00423	3122 357 00423
FM23/FM24/FM33	Monitor-P.W.			FM23GA-2.1-00423	3122 357 00423			FM23GA-2.2-00424	3122 357 00424
FM23/FM24/FM33	Monitor-P.W.			FM23GA-2.2-00424	3122 357 00424			FM23GA-2.3-00426	3122 357 00426
FM23/FM24/FM33	Monitor-P.W.			FM23GA-2.3-00426	3122 357 00426			FM23GA-2.4-00427	3122 357 00427

Software Survey

SOFTWARE SURVEY									
CHASSIS	FAMILY	PRODUCTION CODE	UP TYPE/VERSION	IDENT	SERVICE CODE	HOTEL MODE ?	REMARKS TYPICAL FOR THIS SOFTWARE	REPLACED BY IDENT	SERVICE CODE
FM23/FM24/FM242/FM33	Monitor-P.W.			FM23GA-3.0-00621	3122.357.00521		Only for new PixelWorks 164B.		
FM23/FM24/FM242/FM33	Monitor-P.W.			FM23GA-3.2-00653	3122.357.00523		Only for new PixelWorks 164B.		
FM23/FM24/FM242/FM33	Monitor-P.W.			FM23GA-3.3-00654	3122.357.00524		Only for new PixelWorks 164B.		
FM23/FM24	Monitor-EPLD basic			FM23GB-1.0-00023	3122.357.00283			FM23GB-2.4-00284	3122.357.00284
FM23/FM24	Monitor-EPLD basic			FM23GB-2.4-00284	3122.357.00284			FM23GB-2.9-00285	3122.357.00285
FM23/FM24	Monitor-EPLD basic			FM23GB-2.9-00285	3122.357.00285			FM23GB-3.2-00286	3122.357.00286
FM23/FM24	Monitor-EPLD basic			FM23GB-3.2-00286	3122.357.00286			FM23GB-3.7-00287	3122.357.00287
FM23/FM24/FM242/FM33	Monitor-EPLD basic			FM23GB-3.7-00287	3122.357.00287			FM23GB2400511	3122.357.00511
FM23/FM24/FM242/FM33	Monitor-EPLD basic			FM23GB-3.5-00511	3122.357.00511				
FM23/FM24/FM242/FM33	Monitor-EPLD basic			FM23GB-3.6-00391	3104.317.00391				
FM23/FM24	Monitor-EPLD enhanced			FM23GB-5.0-00401	3122.357.00401			FM23GB-5.1-00402	3122.357.00402
FM23/FM24	Monitor-EPLD enhanced			FM23GB-5.1-00402	3122.357.00402			FM23GB-5.2-00403	3122.357.00403
FM23/FM24	Monitor-EPLD enhanced			FM23GB-5.2-00403	3122.357.00403			FM23GB-5.3-00404	3122.357.00404
FM23/FM24	Monitor-EPLD enhanced			FM23GB-5.3-00404	3122.357.00404			FM23GB-5.4-00405	3122.357.00405
FM23/FM24	Monitor-EPLD enhanced			FM23GB-5.4-00405	3122.357.00405			FM23GB-5.5-00406	3122.357.00406
FM23/FM24	Monitor-EPLD enhanced			FM23GB-5.5-00406	3122.357.00406			FM23GB-5.7-00407	3122.357.00407
FM23/FM24/FM242/FM33	Monitor-EPLD enhanced			FM23GB-5.7-00407	3122.357.00407			FM23GB2400501	3122.357.00501
FM23/FM24/FM242/FM33	Monitor-EPLD enhanced			FM23GB-6.1-00381	3122.357.00381				
FM23/FM24/FM33	Monitor-DDC 7904				3122.357.00301				3122.357.00311
FM23/FM24/FM33	Monitor-DDC 7907				3122.357.00311				3122.357.00371
FM23/FM24/FM33	Monitor-DDC DV17215				3122.357.00371				
FM242	Monitor-OTC			FM242G-1.1-00452	3122.357.00452		First release	FM242G-1.2-00453	3122.357.00453
FM242	Monitor-OTC			FM242G-1.2-00453	3122.357.00453			FM242G-1.3-00454	3122.357.00454
FM242	Monitor-OTC			FM242G-1.3-00454	3122.357.00454				
FTL3E/A	UP			TL13EU.1.0.05061	3104.317.05061		EPLD version displayed in SAM	TL13EU.1.1.05071	3104.317.05071
FTL3E/A	UP			TL13EU.1.1.05071	3104.317.05071			TL13EU.1.2.05231	3104.317.05231
FTL3E/A	UP			TL13EU.1.2.05231	3104.317.05231			TL13EU.1.3.05241	3104.317.05241
FTL3E/A	UP			TL13EU.1.3.05241	3104.317.05241			TL13EU.1.4.05251	3104.317.05251
FTL3E/A	UP			TL13EU.1.4.05251	3104.317.05251		Solved: Outliner issue for AP	TL13EU.1.7.05721	3104.317.05721
FTL3E/A	UP	AG 01		TL13EU.1.7.05721	3104.317.05721		Solved: Correct size of OSD. vigin menu refresh problem	TL13EU.1.9.05751	3104.317.05751
FTL3E/A	UP	AG 02		TL13EU.1.8.05741	3104.317.05741		Only for AP. Solved: SCART2 removed from menu.	TL13EU.1.A.05911	3104.317.05911
FTL3E/A	UP	AG 03		TL13EU.1.9.05751	3104.317.05751		Solved: Black bar during startup.	TL13EU.1.B.06181	3104.317.06181
FTL3E/A	UP	AG 04		TL13EU.1.A.05911	3104.317.05911		Only for AP. Solved: Black bar during startup.	TL13EU.1.B.06181	3104.317.06181
FTL3E/A	UP	AG 05		TL13EU.1.B.06181	3104.317.06181		Macrovision solution on externals (together with SSB pwb. 6)	TL13EU.1.C.06211	3104.317.06211
FTL3E/A	UP	AG 06		TL13EU.1.C.06211	3104.317.06211		Only for India. Solved: Sound interruptions with overmodulated signals (service solution).		
FTL3E/A	UP			TL13EU.2.0.06771	3104.317.06771				
FTL13U	UP			TL13US.1.1.05091	3104.317.05091			TL13US.1.1.05091	3104.317.05091
FTL13U	UP	AG A		TL13US.1.3.05561	3104.317.05561		Solved: Black bar during startup.	TL13US.1.3.05561	3104.317.05561
FTL13U	UP	AG B		TL13US.1.4.05571	3104.317.05571		Suitable for LATAM sets via option codes, option code 4 for tuner TEDE9 is changed from 00008 into 00000	TL13US.1.4.05571	3104.317.05571
FTL13U	UP		AG xB for Latam and AG xC for US	TL13US.1.5.05791	3104.317.05791		Solved: Portuguese translation errors and some ITV issues.	TL13US.1.5.05791	3104.317.05791
FTL13U	UP			TL13US.1.6.06191	3104.317.06191				
FTL13U	UP			TL13US.2.0.06541	3104.317.06541				
FTL13E/AU	FBX			RE1F2_FTV_INT_04	3104.317.45331			RE1F2_FTV_INT_05	3104.317.45441
FTL13E/AU	FBX			RE1F2_FTV_INT_05	3104.317.45441			RE1F2_FTV_INT_06	3104.317.45521
FTL13E/AU	FBX			RE1F2_FTV_INT_06	3104.317.45521				
FTL13E/A	DDC (VGA)			LC030_EUR_XGA	3104.317.05161		First release		
FTL13U	DDC (DVI)			LC030-US	3104.317.05171		First release		
FTL13E/AU	EPLD (Cyclone)			R_CYCLONE_30LCD_E_01	3104.317.05181		First release	R_CYCLONE_30LCD_E_02	3104.317.05281
FTL13E/AU	EPLD (Cyclone)			R_CYCLONE_30LCD_E_02	3104.317.05281		Solved: Horizontal lines in vertical colour transients	R_CYCLONE_30LCD_E_03	3104.317.05341
FTL13E/AU	EPLD (Cyclone)			R_CYCLONE_30LCD_E_03	3104.317.05341		Macro vision detection implemented for 2IH3IH inputs, contrast reserve measurement excludes subtitles to avoid bumping.	R_CYCLONE_30LCD_E_04	3104.317.05511
FTL13E/AU	EPLD (Cyclone)			R_CYCLONE_30LCD_E_04	3104.317.05511		Solved: 2IH pulse inverted to allow correct detection of macrovision, Australian 50Hz HD format (1050) letterboxed in 1152) is working correctly		
FTL2.1A	OTC			TX21AP_1.0.06141	3104.317.06141			TX21AP_1.1.06151	3104.317.06151
FTL2.1A	OTC			TX21AP_1.1.06151	3104.317.06151			TX21AP_1.2.07701	3104.317.07701
FTL2.1A	OTC			TX21AP_1.2.07701	3104.317.07701		Sound interruptions India due to overmodulated signals	TX21AP_2.0.09431	3104.317.09431
FTL2.1A	OTC			TX21AP_2.0.09431	3104.317.09431		Service solution: no picture or sound	TX21AP_3.0.09521	3104.317.09521
FTL2.1A	OTC			TX21AP_3.0.09521	3104.317.09521				
FTL2.1E	OTC			TX21EU.1.0.06121	3104.317.06121			TX21EU.1.1.06131	3104.317.06131
FTL2.1E	OTC			TX21EU.1.1.06131	3104.317.06131			TX21EU.1.2.06901	3104.317.06901
FTL2.1E	OTC			TX21EU.1.2.06901	3104.317.06901			TX21EU.1.3.06921	3104.317.06921

Software Survey

SOFTWARE SURVEY									
CHASSIS	FAMILY	PRODUCTION CODE	UP TYPE/VERSION	IDENT	SERVICE CODE	HOTEL MODE ?	REMARKS TYPICAL FOR THIS SOFTWARE	REPLACED BY IDENT	SERVICE CODE
FL2:1E	OTC			TX21EU 1.3.06921	3104 317 06921			TX21EU 1.4.07021	3104 317 07021
FL2:1E	OTC			TX21EU 1.4.07021	3104 317 07021			TX21EU 1.5.07031	3104 317 07031
FL2:1E	OTC			TX21EU 1.5.07031	3104 317 07031			TX21EU 1.6.07181	3104 317 07181
FL2:1E	OTC			TX21EU 1.6.07181	3104 317 07181			TX21EU 2.0.07301	3104 317 07301
FL2:1E	OTC			TX21EU 2.0.07301	3104 317 07301		Solved: YPbPr on 1080. Split picture when PC is connected.	TX21EU 2.1.07411	3104 317 07411
FL2:1E	OTC			TX21EU 2.1.07411	3104 317 07411			TX21EU 2.2.07771	3139 317 07771
FL2:1U	OTC			TX21US 1.0.06161	3104 317 06161			TX21US 1.1.06171	3104 317 06171
FL2:1U	OTC			TX21US 1.1.06171	3104 317 06171			TX21US 1.2.07241	3104 317 07241
FL2:1U	OTC			TX21US 1.2.07241	3104 317 07241			TX21US 1.3.07251	3104 317 07251
FL2:1U	OTC			TX21US 1.3.07251	3104 317 07251			TX21US 1.4.07421	3104 317 07421
FL2:1U	OTC			TX21US 1.4.07421	3104 317 07421			TX21US 1.5.07431	3104 317 07431
FL2:1U	OTC			TX21US 1.5.07431	3104 317 07431			TX21US 1.6.07441	3104 317 07441
FL2:1U	OTC			TX21US 1.6.07441	3104 317 07441			TX21US 1.7.07551	3104 317 07551
FL2:1U	OTC			TX21US 1.7.07551	3104 317 07551			TX21US 1.8.07581	3104 317 07581
FL2:1U	OTC			TX21US 1.8.07581	3104 317 07581			TX21US 1.9.07911	3104 317 07911
FL2:1U	OTC			TX21US 1.9.07911	3104 317 07911				
FL2:1E/AU	FBX (5V IC voltage)		27C512	REIC.COL.FTV.INT01	3104 317 46651		First release	REIC.COL.FTV.INT03	3104 317 47011
FL2:1E/AU	FBX (5V IC voltage)		27C512	REIC.COL.FTV.INT03	3104 317 47011			REIC.COL.FTV.INT04	3104 317 47071
FL2:1E/AU	FBX (5V IC voltage)		27C512	REIC.COL.FTV.INT04	3104 317 47071			REIC.COL.FTV.INT06	3104 317 47321
FL2:1E/AU	FBX (5V IC voltage)		27C512	REIC.COL.FTV.INT06	3104 317 47321			REIC.COL.FTV.INT08	3104 317 47471
FL2:1E/AU	FBX (5V IC voltage)		27C512	REIC.COL.FTV.INT08	3104 317 47471			REIC.COL.FTV.INT09	3104 317 47591
FL2:1E/AU	FBX (5V IC voltage)		27C512	REIC.COL.FTV.INT09	3104 317 47591		YPbPr on 1080	REIC.COL.FTV.INT10	3104 317 47611
FL2:1E/AU	FBX (5V IC voltage)		27C512	REIC.COL.FTV.INT10	3104 317 47611				
FL2:1E/AU	FBX (5V IC voltage)		M27N512	REIC.COL.FTV.INT04	3104 317 47311			REIC.COL.FTV.INT09	3104 317 47601
FL2:1E/AU	FBX (5V IC voltage)		M27N512	REIC.COL.FTV.INT09	3104 317 47601			REIC.COL.FTV.INT10	3104 317 47621
FL2:1E/AU	FBX (5V IC voltage)		M27N512	REIC.COL.FTV.INT10	3104 317 47621				
FL2:1E/A	EPID 32/37/42' LCD 42/50' PDP SDI HD			R.FTV.2004.76.29	3104 317 06941		First release	R.FTV.2004.76.43	3104 317 07651
FL2:1E/A	EPID 32/37/42' LCD 42/50' PDP SDI HD			R.FTV.2004.76.43	3104 317 07651			R.FTV.2004.76.45	3104 317 07721
FL2:1E/A	EPID 32/37/42' LCD 42/50' PDP SDI HD			R.FTV.2004.76.45	3104 317 07721			R.FTV.2004.76.47	3104 317 07861
FL2:1E/A	EPID 32/37/42' LCD 42/50' PDP SDI HD			R.FTV.2004.76.47	3104 317 07861			R.FTV.2004.76.49	3104 317 07961
FL2:1E/A	EPID 32/37/42' LCD 42/50' PDP SDI HD			R.FTV.2004.76.49	3104 317 07961				
FL2:1E	EPID 37/42' PDP FHP			R.FTV.2004.48.30	3104 317 06991		First release	R.FTV.2004.48.31	3104 317 07541
FL2:1E	EPID 37/42' PDP FHP			R.FTV.2004.48.31	3104 317 07541			R.FTV.2004.48.46	3104 317 07751
FL2:1E	EPID 37/42' PDP FHP			R.FTV.2004.48.46	3104 317 07751			R.FTV.2004.48.47	3104 317 07871
FL2:1E	EPID 37/42' PDP FHP			R.FTV.2004.48.47	3104 317 07871			R.FTV.2004.48.49	3104 317 09881
FL2:1E	EPID 37/42' PDP FHP			R.FTV.2004.48.49	3104 317 09881				
FL2:1E/A	EPID 37/42' PDP SDI SD			R.FTV.2004.32.45	3104 317 07731			R.FTV.2004.32.47	3104 317 07981
FL2:1E/A	EPID 37/42' PDP SDI SD			R.FTV.2004.32.47	3104 317 07981			R.FTV.2004.32.49	3104 317 09811
FL2:1E/A	EPID 37/42' PDP SDI SD			R.FTV.2004.32.49	3104 317 09811				
FL2:1U	EPID 37/42' PDP FHP			R.FTV.2004.48.30	3104 317 06991		First release	R.FTV.2004.48.31	3104 317 07541
FL2:1U	EPID 37/42' PDP FHP			R.FTV.2004.48.31	3104 317 07541			R.FTV.2004.48.46	3104 317 07751
FL2:1U	EPID 37/42' PDP FHP			R.FTV.2004.48.46	3104 317 07751			R.FTV.2004.48.47	3104 317 07871
FL2:1U	EPID 37/42' PDP FHP			R.FTV.2004.48.47	3104 317 07871			R.FTV.2004.48.49	3104 317 09881
FL2:1U	EPID 37/42' PDP FHP			R.FTV.2004.48.49	3104 317 09881				
FL2:2A	OTC			TX21AP 1.0.06141	3104 317 06141			TX21AP 1.1.06151	3104 317 06151
FL2:2A	OTC			TX21AP 1.1.06151	3104 317 06151			TX21AP 1.2.07701	3104 317 07701
FL2:2A	OTC			TX21AP 1.2.07701	3104 317 07701				
FL2:2A	OTC			TX21AP 1.3.07761	3104 317 07761		Sound interruptions India due to overmodulated signals		
FL2:2A	OTC			TX21AP 2.0.09431	3104 317 09431		Service solution: no picture or sound		
FL2:2A	OTC			TX21AP 3.0.09521	3104 317 09521				
FL2:2U	OTC			TX21US 1.0.06161	3104 317 06161			TX21US 1.1.06171	3104 317 06171
FL2:2U	OTC			TX21US 1.1.06171	3104 317 06171			TX21US 1.2.07241	3104 317 07241
FL2:2U	OTC			TX21US 1.2.07241	3104 317 07241			TX21US 1.3.07251	3104 317 07251
FL2:2U	OTC			TX21US 1.3.07251	3104 317 07251			TX21US 1.4.07421	3104 317 07421
FL2:2U	OTC			TX21US 1.4.07421	3104 317 07421			TX21US 1.5.07431	3104 317 07431
FL2:2U	OTC			TX21US 1.5.07431	3104 317 07431			TX21US 1.6.07441	3104 317 07441
FL2:2U	OTC			TX21US 1.6.07441	3104 317 07441			TX21US 1.7.07551	3104 317 07551
FL2:2U	OTC			TX21US 1.7.07551	3104 317 07551			TX21US 1.8.07581	3104 317 07581
FL2:2U	OTC			TX21US 1.8.07581	3104 317 07581			TX21US 1.9.07911	3104 317 07911
FL2:2U	OTC			TX21US 1.9.07911	3104 317 07911				
FL2:1E	EDID			EDID.EU	3104 317 06591		First release		
FL2:1E	EDID			EDID.US/AP	3104 317 06611		First release		
FL2:1E	EDID			EDID.EU no.3/n	3104 317 06601				
FL2:1E/AU	EDID			EDID.US/AP no.3/n	3104 317 06621			EDID.US/AP no.3/n	3104 317 06621
FL2:1E/AU	EDID			EDID.US/AP no.3/n	3104 317 06621				

Software Survey

SOFTWARE SURVEY									
CHASSIS	FAMILY	PRODUCTION CODE	UP TYPE/VERSION	IDENT	SERVICE CODE	HOTEL MODE ?	REMARKS TYPICAL FOR THIS SOFTWARE	REPLACED BY IDENT	SERVICE CODE
FTL2.2AU	FBX		27C512	REIC COL FTV INT01	3104 317 48651		First release	REIC COL FTV INT03	3104 317 47011
FTL2.2AU	FBX		27C512	REIC COL FTV INT03	3104 317 47011			REIC COL FTV INT04	3104 317 47071
FTL2.2AU	FBX		27C512	REIC COL FTV INT04	3104 317 47071			REIC COL FTV INT06	3104 317 47321
FTL2.2AU	FBX		27C512	REIC COL FTV INT06	3104 317 47321			REIC COL FTV INT08	3104 317 47471
FTL2.2AU	FBX		27C512	REIC COL FTV INT08	3104 317 47471			REIC COL FTV INT09	3104 317 47591
FTL2.2AU	FBX		27C512	REIC COL FTV INT09	3104 317 47591			REIC COL FTV INT10	3104 317 47611
FTL2.2AU	FBX		M27W512	REIC COL FTV INT04	3104 317 45311			REIC COL FTV INT09	3104 317 47691
FTL2.2AU	FBX		M27W512	REIC COL FTV INT08	3104 317 45311			REIC COL FTV INT10	3104 317 47621
FTL2.2AU	FBX		M27W512	REIC COL FTV INT10	3104 317 45311				
FTL2.2A	EPID 32/37/42' LCD 42/50' PDP SDI HD			R FTV 2004 76 29	3104 317 06941		First release	R FTV 2004 76 43	3104 317 07651
FTL2.2A	EPID 32/37/42' LCD 42/50' PDP SDI HD			R FTV 2004 76 43	3104 317 07651			R FTV 2004 76 45	3104 317 07721
FTL2.2A	EPID 32/37/42' LCD 42/50' PDP SDI HD			R FTV 2004 76 45	3104 317 07721			R FTV 2004 76 47	3104 317 07861
FTL2.2A	EPID 32/37/42' LCD 42/50' PDP SDI HD			R FTV 2004 76 47	3104 317 07861			R FTV 2004 76 49	3104 317 09821
FTL2.2A	EPID 32/37/42' LCD 42/50' PDP SDI HD			R FTV 2004 76 49	3104 317 09821				
FTL2.2U	EPID 32/37/42' LCD 42/50' PDP SDI HD			R FTV 2004 76 38	3104 317 06911		First release	R FTV 2004 76 40	3104 317 07041
FTL2.2U	EPID 32/37/42' LCD 42/50' PDP SDI HD			R FTV 2004 76 40	3104 317 07041			R FTV 2004 76 45	3104 317 07721
FTL2.2U	EPID 32/37/42' LCD 42/50' PDP SDI HD			R FTV 2004 76 45	3104 317 07721			R FTV 2004 76 47	3104 317 07861
FTL2.2U	EPID 32/37/42' LCD 42/50' PDP SDI HD			R FTV 2004 76 47	3104 317 07861			R FTV 2004 76 49	3104 317 09821
FTL2.2U	EPID 32/37/42' LCD 42/50' PDP SDI HD			R FTV 2004 76 49	3104 317 09821				
FTL2.2AU	DDC HDMI			EDD US/AP	3104 317 06611		First release		
FTL3.1E	Viper			TL31E 1.1 07291	3104 317 07291			TL31E 1.1 07291	3104 317 07291
FTL3.1E	Viper			TL31E 1.2 06811	3104 317 06811			TL31E 1.2 06811	3104 317 06811
FTL3.1E	Viper			TL31E 1.2 08161	3104 317 08161			TL31E 1.3 08171	3104 317 08171
FTL3.1E	Viper			TL31E 1.3 08171	3104 317 08171				
FTL3.1E	Standby			P89C557E4EFB01	3104 317 07391		Start production	SBY PROC 3.1	3104 317 07391
FTL3.1E	Standby			P89C557E4EFB01	3104 317 07391				
FTL3.1E	DDC HDMI			JAG ANA 2K4 Y20	3104 317 06633				
FTP1.1E/A	UP			TP11EU 1.2 05761	3104 317 05761			TP11EU 1.3 05811	3104 317 05811
FTP1.1E/A	UP			TP11EU 1.3 05811	3104 317 05811			TP11EU 1.4 05821	3104 317 05821
FTP1.1E/A	UP			TP11EU 1.4 05821	3104 317 05821			TP11EU 1.5 05871	3104 317 05871
FTP1.1E/A	UP			TP11EU 1.5 05871	3104 317 05871		DW/TXT function added	TP11EU 1.6 05921	3104 317 05921
FTP1.1E/A	UP			TP11EU 1.6 05921	3104 317 05921				
FTP1.1E/A	UP			TP11EU 2.0 08821	3104 317 08821		Sound interruptions India due to overmodulated signals		
FTP1.1U	UP			TP11US 1.0 05411	3104 317 05411		First release		
FTP1.1E/AU	FBX			REF2 FTV_INT_06	3104 317 46521				
FTP1.1U	DDC (DVI)			PDP30-US	3104 317 05651				
FTP1.1E/AU	EPID (Cyclone)			PDP42_E_02	3104 317 05801		First release	PDP42_E_03	3104 317 05881
FTP1.1E/AU	EPID (Cyclone)			PDP42_E_03	3104 317 05891				
FTL2.1E/AU/L	Ambilight			AMB INV_V0.7	3104 317 09401		First release		
FTP2.2A	OTC			TX2IAP 1.0 06141	3104 317 06141			TX2IAP 1.1 06151	3104 317 06151
FTP2.2A	OTC			TX2IAP 1.1 06151	3104 317 06151			TX2IAP 1.2 07701	3104 317 07701
FTP2.2A	OTC			TX2IAP 1.2 07701	3104 317 07701				
FTP2.2A	OTC			TX2IAP 1.3 07761	3104 317 07761				
FTP2.2A	OTC			TX2IAP 2.0 09431	3104 317 09431		Service solution: Sound interruptions India due to overmodulated signals		
FTP2.2A	OTC			TX2IAP 3.0 09521	3104 317 09521		Service solution: no picture or sound		
FTP2.2E	OTC			TX21EU 1.0 06121	3104 317 06121			TX21EU 1.1 06131	3104 317 06131
FTP2.2E	OTC			TX21EU 1.1 06131	3104 317 06131			TX21EU 1.2 06901	3104 317 06901
FTP2.2E	OTC			TX21EU 1.2 06901	3104 317 06901			TX21EU 1.3 06921	3104 317 06921
FTP2.2E	OTC			TX21EU 1.3 06921	3104 317 06921			TX21EU 1.4 07021	3104 317 07021
FTP2.2E	OTC			TX21EU 1.4 07021	3104 317 07021			TX21EU 1.5 07031	3104 317 07031
FTP2.2E	OTC			TX21EU 1.5 07031	3104 317 07031			TX21EU 1.6 07181	3104 317 07181
FTP2.2E	OTC			TX21EU 1.6 07181	3104 317 07181			TX21EU 2.0 07301	3104 317 07301
FTP2.2E	OTC			TX21EU 2.0 07301	3104 317 07301			TX21EU 2.1 07411	3104 317 07411
FTP2.2E	OTC			TX21EU 2.1 07411	3104 317 07411		Solved: YPhPr on 1080. Split picture when PC is connected.	TX21EU 2.1 07411	3104 317 07411
FTP2.2E	OTC			TX21EU 2.2 07711	3104 317 07711				
FTP2.2U	OTC			TX21US 1.0 06161	3104 317 06161			TX21US 1.1 06171	3104 317 06171
FTP2.2U	OTC			TX21US 1.1 06171	3104 317 06171			TX21US 1.2 07241	3104 317 07241
FTP2.2U	OTC			TX21US 1.2 07241	3104 317 07241			TX21US 1.3 07251	3104 317 07251
FTP2.2U	OTC			TX21US 1.3 07251	3104 317 07251			TX21US 1.4 07421	3104 317 07421
FTP2.2U	OTC			TX21US 1.4 07421	3104 317 07421			TX21US 1.5 07431	3104 317 07431
FTP2.2U	OTC			TX21US 1.5 07431	3104 317 07431			TX21US 1.6 07441	3104 317 07441
FTP2.2U	OTC			TX21US 1.6 07441	3104 317 07441			TX21US 1.7 07551	3104 317 07551
FTP2.2U	OTC			TX21US 1.7 07551	3104 317 07551			TX21US 1.8 07581	3104 317 07581
FTP2.2U	OTC			TX21US 1.8 07581	3104 317 07581			TX21US 1.9 07911	3104 317 07911
FTP2.2U	OTC			TX21US 1.9 07911	3104 317 07911				

Software Survey

SOFTWARE SURVEY										
CHASSIS	FAMILY	PRODUCTION CODE	UP TYPE/VERSION	IDENT	SERVICE CODE	HOTEL MODE ?	REMARKS TYPICAL FOR THIS SOFTWARE	REPLACED BY IDENT	SERVICE CODE	
FTP2.2E/AU	FBX		27C512	REIC.COL.FTV.INT01	3104.317.46651		First release	REIC.COL.FTV.INT03	3104.317.47011	
FTP2.2E/AU	FBX		27C512	REIC.COL.FTV.INT03	3104.317.47011			REIC.COL.FTV.INT04	3104.317.47071	
FTP2.2E/AU	FBX		27C512	REIC.COL.FTV.INT06	3104.317.47321			REIC.COL.FTV.INT08	3104.317.47471	
FTP2.2E/AU	FBX		27C512	REIC.COL.FTV.INT08	3104.317.47471			REIC.COL.FTV.INT09	3104.317.47591	
FTP2.2E/AU	FBX		27C512	REIC.COL.FTV.INT09	3104.317.47591			REIC.COL.FTV.INT10	3104.317.47611	
FTP2.2E/AU	FBX		M27W512	REIC.COL.FTV.INT04	3104.317.47311			REIC.COL.FTV.INT09	3104.317.47681	
FTP2.2E/AU	FBX		M27W512	REIC.COL.FTV.INT09	3104.317.47681			REIC.COL.FTV.INT10	3104.317.47621	
FTP2.2E/AU	FBX		M27W512	REIC.COL.FTV.INT10	3104.317.47621					
FTP2.2E/A	EPID.32/37/42/LCD.42/50/ PDP.SDI.HD			R.FTV.2004.76.29	3104.317.06941		First release	R.FTV.2004.76.43	3104.317.07651	
FTP2.2E/A	EPID.32/37/42/LCD.42/50/ PDP.SDI.HD			R.FTV.2004.76.43	3104.317.07651			R.FTV.2004.76.46	3104.317.07721	
FTP2.2E/A	EPID.32/37/42/LCD.42/50/ PDP.SDI.HD			R.FTV.2004.76.45	3104.317.07721			R.FTV.2004.76.47	3104.317.07881	
FTP2.2E/A	EPID.32/37/42/LCD.42/50/ PDP.SDI.HD			R.FTV.2004.76.47	3104.317.07881			R.FTV.2004.76.49	3104.317.09821	
FTP2.2E/A	EPID.32/37/42/LCD.42/50/ PDP.SDI.HD			R.FTV.2004.76.49	3104.317.09821					
FTP2.2E	EPID.37/42/ PDP.FHP			R.FTV.2004.48.30	3104.317.06991		First release	R.FTV.2004.48.31	3104.317.07541	
FTP2.2E	EPID.37/42/ PDP.FHP			R.FTV.2004.48.31	3104.317.07541			R.FTV.2004.48.46	3104.317.07751	
FTP2.2E	EPID.37/42/ PDP.FHP			R.FTV.2004.48.46	3104.317.07751			R.FTV.2004.48.47	3104.317.07871	
FTP2.2E	EPID.37/42/ PDP.FHP			R.FTV.2004.48.47	3104.317.07871			R.FTV.2004.48.49	3104.317.09881	
FTP2.2E	EPID.37/42/ PDP.FHP			R.FTV.2004.48.49	3104.317.09881					
FTP2.2E/A	EPID.37/42/ PDP.SDI.SD			R.FTV.2004.32.45	3104.317.07731			R.FTV.2004.32.47	3104.317.07881	
FTP2.2E/A	EPID.37/42/ PDP.SDI.SD			R.FTV.2004.32.47	3104.317.07881			R.FTV.2004.32.49	3104.317.09811	
FTP2.2E/A	EPID.37/42/ PDP.SDI.SD			R.FTV.2004.32.49	3104.317.09811					
FTP2.2U	EPID.37/42/ PDP.FHP			R.FTV.2004.48.30	3104.317.06991		First release	R.FTV.2004.48.31	3104.317.07541	
FTP2.2U	EPID.37/42/ PDP.FHP			R.FTV.2004.48.31	3104.317.07541			R.FTV.2004.48.46	3104.317.07751	
FTP2.2U	EPID.37/42/ PDP.FHP			R.FTV.2004.48.46	3104.317.07751			R.FTV.2004.48.47	3104.317.07871	
FTP2.2U	EPID.37/42/ PDP.FHP			R.FTV.2004.48.47	3104.317.07871			R.FTV.2004.48.49	3104.317.09881	
FTP2.2U	EPID.37/42/ PDP.FHP			R.FTV.2004.48.49	3104.317.09881					
FTP2.2U	EPID.32/37/42/LCD.42/50/ PDP.SDI.HD			R.FTV.2004.76.38	3104.317.06911		First release	R.FTV.2004.76.40	3104.317.07041	
FTP2.2U	EPID.32/37/42/LCD.42/50/ PDP.SDI.HD			R.FTV.2004.76.40	3104.317.07041			R.FTV.2004.76.45	3104.317.07721	
FTP2.2U	EPID.32/37/42/LCD.42/50/ PDP.SDI.HD			R.FTV.2004.76.45	3104.317.07721			R.FTV.2004.76.47	3104.317.07881	
FTP2.2U	EPID.32/37/42/LCD.42/50/ PDP.SDI.HD			R.FTV.2004.76.47	3104.317.07881			R.FTV.2004.76.49	3104.317.09821	
FTP2.2U	EPID.32/37/42/LCD.42/50/ PDP.SDI.HD			R.FTV.2004.76.49	3104.317.09821					
FTP2.2E	EDID			EDID.EU	3104.317.06591		First release			
FTP2.2E	EDID			EDID.US/AP	3104.317.09611		First release			
FTP2.2E	EDID			EDID.EU no 3fh	3104.317.06601		First release			
FTP2.2AU	EDID			EDID.US/AP no 3fh	3104.317.06621		First release			
FTP2.2AU	EDID			EDID.US/AP no 3fh	3104.317.06622		First release			
FTP2.2E/AU/L	Ambilight			AMB.LINV_V0.7	3104.317.09401		First release			
FTV1.9DE	Monitor			EPC1441 PC8	3122.357.40021	No	PDP-Limesco position 7357	F.9DW2.0_00074	3122.357.40024	
FTV1.9DE	Monitor			EPC1441 PC8	3122.357.40022	No	PDP-Limesco position 7357	F.9DW2.0_00074	3122.357.40024	
FTV1.9DE	Monitor			AG02 and higher, week 9948 and higher	3122.357.40024	No	PDP-Limesco position 7357, introduction Y/C panel - not in TV configuration	F.9DW2.0_00075	3122.357.40025	
FTV1.9DE	Monitor			AG06 and higher, week 0018 and higher	3122.357.40081	No	PDP-Limesco position 7357 - only in TV-configuration			
FTV1.9DE	Monitor			AG06 and higher, week 0018 and higher	3122.357.40025	No	PDP-Limesco position 7357 - introduction SW for Monitor. & TV-configuration			
FTV1.9DE	Monitor			PC87C695AER/C1	3122.357.40042	No	MUP Panel .1 version - position /001	F.9DE12.0_00063	3122.357.40043	
FTV1.9DE	Monitor			PC87C695AER/C1	3122.357.40043	No	MUP Panel .2 version - position 3018 added - to be used with PDP-OTP 3122 357 40024	F.9DE12.1_00064	3122.357.40044	
FTV1.9DE	Monitor			From week 9950 and higher	3122.357.40044	No	Only for monitors - to be used with PDP OTP 3122 357 40024, improvement of VCR filter with NTSC	F.9DE12.1_00065	3122.357.40045	
FTV1.9DE	Monitor			AG06 and higher, week 0018 and higher	3122.357.40045	No	Introduction SW for Monitor. & TV-configuration	F.9DE14.0_00066	3122.357.40046	
FTV1.9DE	Monitor			AG07 and higher, week 0027 and higher	3122.357.40046	No	Update for Marantz & 16:9 aspect ratio			
FTV1.9DE	Monitor			AG07 and higher, week	3122.357.40048	No				
FTV1.9DE	Monitor			PC87C695AER/C1	3122.357.40048	No				
FTV1.9DE	Monitor			PC87C695AER/C1	9965.000.14386	No	Service solution: L2.5 is switched off			
FTV1.9DE	Monitor			M24C16-BN6	3122.357.40051	No	AVC position 7400	E.AROM_00092	3122.357.40052	
FTV1.9DE	Monitor			From week 9948	3122.357.40052	No	AVC position 7400 - AG02 code - introduction Y/C panel	E.AROM_00095	3122.357.40055	
FTV1.9DE	Monitor			From week 0018	3122.357.40055	No	AVC position 7400 - AG06 code - introduction SW for Monitor. & TV-configuration.			
FTV1.9EE	E-Box, FBX4			FBX4 V1.5	3104.317.01211	No		FTV1.9_00112	3122.357.40062	
FTV1.9EE	E-Box, FBX6			FTV1.9_00111	3122.357.40061	No		FTV1.9_00112	3122.357.40062	
FTV1.9EE	E-Box, FBX6			M27C512-90-C1	3122.357.40062	No				
FTV1.9EE	E-Box/FBX4 - West Europe			M27C801-100F1	3122.357.40032	No		F.9EE11.3_00054	3122.357.40034	

Software Survey

SOFTWARE SURVEY									
CHASSIS	FAMILY	PRODUCTION CODE	UP TYPE/VERSION	IDENT	SERVICE CODE	HOTEL MODE ?	REMARKS TYPICAL FOR THIS SOFTWARE	REPLACED BY IDENT	SERVICE CODE
FTV1.9EE	E-Box/FBX4 - West Europe	AG01 and higher, week 9948 and higher.	M27C801-100F1	F19EE11.2_00053	3122 357 40033	No	Solved switching problem between ZCS and NICAM	F19EA11.3_00054	3122 357 40034
FTV1.9EE	E-Box/FBX4 - West Europe	AG02 and higher, week 0018 and higher.	M27C801-100F1	F19EE11.3_00054	3122 357 40034	No		F19EEA0_00055	3122 357 40035
FTV1.9EE	E-Box/FBX6 - West Europe	M27C801-100F1	M27C801-100F1	F19EE4.0_00055	3122 357 40035	No	SSP position 7202 - /12S /19S /58S		
FTV1.9EE	E-Box/FBX6 - East Europe	M27C801-100F1	M27C801-100F1	F19EC4.1_00201	3122 357 40111	No	SSP position 7202 - /12S & /19S		
FTV1.9EE	E-Box - USA	M27C801-100F1	M27C801-100F1	F19EE4.1_00211	3122 357 40121	No	To be used in combination with monitor software from AG06	F19EU12.1_00143	3122 357 40073
FTV1.9EE	E-Box - USA	AG03 and higher, week 0022 and higher.	M27C801-100F1	F19EU12.0_00142	3122 357 40072	No	To be used in combination with monitor software from AG06	F19EU12.1_00143	3122 357 40073
FTV1.9EE	E-Box - USA	Week 0040 and higher	M27C801-100F1	F19EU12.1_00143	3122 357 40073	No	To be used in combination with monitor software from AG06	F19EU14.1_00144	3122 357 40074
FTV1.9EE	E-Box - AP	M27C801-100F1	M27C801-100F1	F19EU14.1_00144	3122 357 40074	No			
FTV1.9EE	E-Box - AP	M27C801-100F1	M27C801-100F1	F19EA13.0_00161	3122 357 40091	No		F19EA14.1_00163	3122 357 40093
FTV1.9EE	E-Box - Narentz	M27C801-100F1	M27C801-100F1	F19EA14.1_00181	3122 357 40101	No		F19EM14.1_00182	3122 357 40102
FTV1.9EE	E-Box - Narentz	M27C801-100F1	M27C801-100F1	F19EM14.1_00182	3122 357 40102	No			
L01.1A	711, 697, NTSC, text	Wk146	TDA9586H/N1/3/0408	TDA9586_L01AC11.5	9352 694 11557	-		TDA9588_L01AC11.9	9352 716 28557
L01.1A	711, 697, NTSC, text	Wk217	TDA9586H/N1/3/0835	TDA9588_L01AC11.9	9352 716 28557	-			
L01.1A	667, 774, multi	Wk127	TDA9586H/N1/3/0401	TDA9586_L01AN21.0	9352 694 03557	-		TDA9586_L01AN22.2	9352 707 03557
L01.1A	667, 774, multi	Wk146	TDA9586H/N1/3/0827	TDA9586_L01AN22.2	9352 707 03557	-		TDA9586_L01AN22.7	9352 716 31557
L01.1A	667, 774, multi	Wk245	TDA9586H/N1/3/0829	TDA9586_L01AN22.7	9352 716 31557	-			
L01.1A		Wk336	TDA9586H/N1/3/1090	TDA9586_L01AN41.4	9352 730 05557	-			
L01.1A		Wk336	TDA9586H/N1/3/1096	TDA9586_L01AN61.8	9352 730 07557	-			
L01.1A	357, 668, 669, 773, 779, multi, 10p text	Wk125	TDA9566H/N1/4	TDA9565_L01AT11.3	9352 695 11557	-		TDA9565_L01AT11.6	9352 693 77557
L01.1A	357, 668, 669, 773, 779, multi, 10p text	Wk146	TDA9566H/N1/4/0378	TDA9565_L01AT11.6	9352 695 77557	-		TDA9565_L01AT12.4	9352 707 07557
L01.1A	357, 668, 669, 773, 779, multi, 10p text	Wk245	TDA9566H/N1/4/0631	TDA9565_L01AT11.4	9352 707 07557	-		TDA9565_L01AT12.9	9352 715 99557
L01.1A	357, 668, 669, 773, 779, multi, 10p text	Wk229	TDA9566H/N1/4/0803	TDA9565_L01AT12.9	9352 715 99557	-			
L01.1A	Multiple East - 10 Page Text	Wk167	TDA9566H/N1/4	TDA9565_L01AT21.0	9352 695 11557	-		TDA9565_L01AT21.2	9352 693 78557
L01.1A	356, 665, multi, 10p text	Wk146	TDA9566H/N1/4/0379	TDA9565_L01AT21.2	9352 695 78557	-		TDA9565_L01AT22.4	9352 707 10957
L01.1A	356, 665, multi, 10p text	Wk146	TDA9566H/N1/4/0834	TDA9565_L01AT22.4	9352 716 31557	-		TDA9565_L01AT22.8	9352 716 00957
L01.1A	356, 665, multi, 10p text	Wk245	TDA9566H/N1/4/0804	TDA9565_L01AT22.8	9352 716 00957	-			
L01.1A		Wk336	TDA9555H/N1/3/1098	TDA9555_L01AT51.6	9352 730 09557	-			
L01.1A		Wk336	TDA9552H/N1/3/1099	TDA9552_L01AT51.6	9352 730 10557	-			
L01.1L		Wk209	TDA9570H/N1/4/0646	TDA9570_L01LN11.2	9352 707 65557	-			
L01.1L		Wk???	TDA9570H/N1/4/0814	TDA9570_L01LN11.4	9352 716 10557	-			
L01.1L		Wk112	TDA9563H/N1/3/0399	TDA9583_L01LS11.3	9352 694 01557	-			
L01.1L		Wk128	TDA9563H/N1/3/0501	TDA9583_L01LS11.4	9352 700 41557	-			
L01.1L		Wk139	TDA9563H/N1/3/0575	TDA9583_L01LS12.0	9352 704 24557	-			
L01.1L		Wk229	TDA9563H/N1/3/0827	TDA9583_L01LS12.2	9352 716 29557	-			
L01.1L		Wk251	TDA9566H/N1/3/1013	TDA983_L01LS31.2	9352 725 54557	-			
L01.1L		Wk314	TDA9566H/N1/3/1164	TDA983_L01LS31.3	9352 735 64557	-			
L01.1L		Wk327	TDA9566H/N1/3/1225	TDA983_L01LS31.6	9352 735 28557	-			
L01.1L		Wk332	TDA9566H/N1/3/1297	TDA983_L01LS31.7	9352 742 83557	-			
L01.1L		Wk261	TDA9569H/N1/4/1011	TDA9569_L01S41.3	9352 725 52557	-			
L01.1L		Wk315	TDA9569H/N1/4/1165	TDA9569_L01S41.4	9352 733 66557	-			
L01.1L		Wk315	TDA9569H/N1/4/1224	TDA9569_L01S41.8	9352 739 24557	-			
L01.1L		Wk248	TDA9570H/N1/4/1012	TDA9570_L01LS51.0	9352 725 53557	-			
L01.1U		Wk331	TDA9566H/N1/4/1313	TDA9569_L01UD11.4	9352 743 94557	-			
L01.1U		Wk108	TDA9567H/N1/3/0363	TDA9687_L01UM01.1	9352 692 52557	-			
L01.1U		Wk128	TDA9567H/N1/3/0480	TDA9687_L01UM01.3	9352 699 86557	-			
L01.1U		Wk214	TDA9577H/N1/4/0641	TDA9577_L01UN2?.?	9352 707 69557	-			
L01.1U		Wk217	TDA9577H/N1/4/0613	TDA9577_L01UN21.5	9352 716 14557	-			
L01.1U		Wk239	TDA9566H/N1/3/0989	TDA9588_L01UN41.1	9352 725 48557	-			
L01.1U		Wk249	TDA9566H/N1/3/1053	TDA9588_L01UN41.2	9352 728 40557	-			
L01.1U		Wk315	TDA9566H/N1/3/1129	TDA9588_L01UN41.5	9352 731 49557	-			
L01.1U		Wk268	TDA9577H/N1/4/0991	TDA9577_L01UN51.0	9352 725 49557	-			
L01.1U		Wk248	TDA9577H/N1/4/1057	TDA9577_L01UN51.1	9352 728 41557	-			
L01.1U		Wk315	TDA9577H/N1/4/1130	TDA9577_L01UN51.5	9352 731 51557	-			
L01.1U		Wk310	TDA9588H/N1/3/1133	TDA9588_L01UN61.2	9352 731 54557	-			
L01.1U		Wk121	TDA9588H/N1/3/0407	TDA9588_L01US01.7	9352 694 10557	-			
L01.1U		Wk128	TDA9588H/N1/3/0485	TDA9588_L01US01.9	9352 699 91557	-			

Software Survey

SOFTWARE SURVEY									
CHASSIS	FAMILY	PRODUCTION CODE	UP TYPE/VERSION	IDENT	SERVICE CODE	HOTEL MODE ?	REMARKS TYPICAL FOR THIS SOFTWARE	REPLACED BY IDENT	SERVICE CODE
L01.1U		Wk115	TD9568H/1/3/0384	TD9568_L01US11.8	9352 694 09557	-			-
L01.1U		Wk128	TD9568H/1/3/0484	TD9568_L01US12.0	9352 699 90557	-			-
L01.1U		Wk249	TD9567H/1/3/0990	TD9577_L01US21.0	9352 725 47557	-			-
L01.1U		Wk249	TD9568H/1/3/0992	TD9568_L01US21.0	9352 725 50557	-			-
L01.1U		Wk323	TD9568H/1/3/1132	TD9568_L01US21.2	9352 731 53557	-			-
L01.1U		Wk330	TD9568H/1/3/1298	TD9568_L01US21.3	9352 742 85557	-			-
L01.1U		Wk326	TD9568H/1/3/1134	TD9568_L01US31.1	9352 731 55557	-			-
L01.1U		Wk330	TD9568H/1/3/1299	TD9568_L01US31.3	9352 742 87557	-			-
L01.1U		Wk204	TD9568H/1/3/0636	TD9568_L01US41.4	9352 707 12957	-			-
L01.1U		Wk217	TD9568H/1/3/0833	TD9568_L01US41.7	9352 716 35557	-			-
L01.1U		Wk149	TD9568H/1/3/0738	TD9568_L01US2.2	9352 719 45557	-			-
L01.1U		Wk218	TD9568H/1/3/0832	TD9568_L01US1.3	9352 716 34557	-			-
L01.2A	711, PALNTSC	Wk146	TD9560H/1/3/0388	TD9560_L01AC11.5	9352 693 90557	-		TD9560_L01AC11.9	9352 716 23557
L01.2A	711, PALNTSC	Wk217	TD9560H/1/3/0822	TD9560_L01AC11.9	9352 716 23557	-			-
L01.2A		Wk336	TD9560H/1/3/1101	TD9560_L01AC21.4	9352 730 12557	-			-
L01.2A		Wk125	TD9560H/1/3/0386	TD9560_L01AN11.7	9352 693 88557	-		TD9561_L01AN12.2	9352 706 98557
L01.2A		Wk146	TD9560H/1/3/0622	TD9560_L01AN12.2	9352 706 98557	-		TD9561_L01AN12.2	9352 706 98557
L01.2A		Wk 224	TD9560H/1/3/0820	TD9560_L01AN13.1	9352 716 21557	-		TD9561_L01AN12.2	9352 706 98557
L01.2A		Wk125	TD9561H/1/3/0392	TD9561_L01AN11.7	9352 693 94557	-			-
L01.2A		Wk146	TD9561H/1/3/0623	TD9561_L01AN12.2	9352 706 98557	-			-
L01.2A		Wk245	TD9561H/1/3/0823	TD9561_L01AN13.1	9352 716 24557	-			-
L01.2A		Wk 125	TD9566H/1/3/0400	TD9566_L01AN11.7	9352 694 02957	-		TD9561_L01AN12.2	9352 706 98557
L01.2A		Wk 146	TD9566H/1/3/0624	TD9566_L01AN12.2	9352 707 00557	-		TD9561_L01AN12.2	9352 706 98557
L01.2A		Wk 224	TD9566H/1/3/0828	TD9566_L01AN13.1	9352 716 30557	-		TD9561_L01AN12.2	9352 706 98557
L01.2A		Wk127	TD9561H/1/3/0393	TD9561_L01AN21.0	9352 693 95557	-		TD9561_L01AN22.2	9352 707 01557
L01.2A		Wk146	TD9561H/1/3/0625	TD9561_L01AN22.2	9352 707 01557	-		TD9561_L01AN22.7	9352 716 25557
L01.2A		Wk245	TD9561H/1/3/0824	TD9561_L01AN22.7	9352 716 25557	-			-
L01.2A		Wk127	TD9562H/1/3/0396	TD9562_L01AN21.0	9352 693 96557	-		TD9562_L01AN22.2	9352 707 02557
L01.2A		Wk146	TD9562H/1/3/0626	TD9562_L01AN22.2	9352 707 02557	-		TD9562_L01AN22.7	9352 716 27557
L01.2A		Wk245	TD9562H/1/3/0826	TD9562_L01AN22.7	9352 716 27557	-			-
L01.2A		Wk336	TD9562H/1/3/1093	TD9562_L01AN41.4	9352 730 06557	-			-
L01.2A		Wk336	TD9562H/1/3/1097	TD9562_L01AN61.8	9352 730 09557	-			-
L01.2A		Wk336	TD9570H/1/3/1102	TD9570_L01AN11.3	9352 730 14557	-			-
L01.2A	Middle East, Pakistan, S. Africa, Zimbabwe - NWk146	Wk146	TD9561H/1/3/0629	TD9562_L01AN92.2	9352 707 05557	-		TD9562_L01AN92.7	9352 716 26557
L01.2A	Middle East, Pakistan, S. Africa, Zimbabwe - NWk245	Wk245	TD9561H/1/3/0825	TD9562_L01AN92.7	9352 716 26557	-			-
L01.2A	157, 68, 69, 779, PAL/SECAM/NTSC, 10p, 16x Wk125	Wk125	TD9561H/1/4/0373	TD9561_L01AT11.6	9352 693 88557	-		TD9561_L01AT12.4	9352 707 37557
L01.2A	157, 68, 69, 779, PAL/SECAM/NTSC, 10p, 16x Wk146	Wk146	TD9561H/1/4/0630	TD9561_L01AT12.4	9352 707 37557	-		TD9561_L01AT12.9	9352 715 97557
L01.2A	157, 68, 69, 779, PAL/SECAM/NTSC, 10p, 16x Wk245	Wk245	TD9561H/1/4/0601	TD9561_L01AT12.9	9352 715 97557	-			-
L01.2A	157, 68, 69, 779, PAL/SECAM/NTSC, 10p, 16x Wk125	Wk125	TD9567H/1/4/0382	TD9567_L01AT11.6	9352 693 81557	-		TD9567_L01AT12.4	9352 707 08557
L01.2A	157, 68, 69, 779, PAL/SECAM/NTSC, 10p, 16x Wk146	Wk146	TD9567H/1/4/0632	TD9567_L01AT12.4	9352 707 08557	-		TD9567_L01AT12.9	9352 716 05557
L01.2A	157, 68, 69, 779, PAL/SECAM/NTSC, 10p, 16x Wk245	Wk245	TD9567H/1/4/0809	TD9567_L01AT12.9	9352 716 05557	-			-
L01.2A	159, 65, PAL/SECAM/NTSC, 10p	Wk127	TD9561H/1/4/0374	TD9561_L01AT12.2	9352 693 89557	-		TD9561_L01AT22.4	9352 707 09557
L01.2A	159, 65, PAL/SECAM/NTSC, 10p	Wk146	TD9561H/1/4/0633	TD9561_L01AT22.4	9352 707 09557	-		TD9561_L01AT22.8	9352 715 98557
L01.2A	159, 65, PAL/SECAM/NTSC, 10p	Wk245	TD9561H/1/4/0802	TD9561_L01AT22.8	9352 715 98557	-			-
L01.2A	159, 65, PAL/SECAM/NTSC, 10p	Wk127	TD9567H/1/4/0383	TD9567_L01AT12.2	9352 699 82557	-			-
L01.2A	159, 65, PAL/SECAM/NTSC, 10p	Wk146	TD9567H/1/4/0635	TD9567_L01AT22.4	9352 707 11557	-		TD9567_L01AT22.4	9352 707 11557
L01.2A	159, 65, PAL/SECAM/NTSC, 10p	Wk245	TD9567H/1/4/0808	TD9567_L01AT22.8	9352 716 04557	-		TD9567_L01AT22.8	9352 716 04557
L01.2L		Wk210	TD9570H/1/3/0815	TD9570_L01LM11.2	9352 707 65557	-			-
L01.2L		Wk248	TD9570H/1/3/1010	TD9570_L01LM11.2	9352 716 11557	-			-
L01.2L		Wk314	TD9570H/1/3/1181	TD9570_L01LN21.0	9352 725 51557	-			-
L01.2L		Wk210	TD9570H/1/4/0737	TD9570_L01LS21.1	9352 734 91557	-			-
L01.2L			TD9570H/1/4/0816	TD9570_L01LS21.2	9352 712 14557	-			-
L01.2U		Wk331	TD9566H/1/4/1314	TD9566_L01UD11.4	9352 743 95557	-			-
L01.2U		Wk110	TD9567H/1/3/0371	TD9567_L01UM11.1	9352 693 54557	-			-
L01.2U		Wk115	TD9567H/1/3/0417	TD9567_L01UM11.3	9352 695 44557	-			-

Software Survey

SOFTWARE SURVEY									
CHASSIS	FAMILY	PRODUCTION CODE	UP TYPE/VERSION	IDENT	SERVICE CODE	HOTEL MODE ?	REMARKS TYPICAL FOR THIS SOFTWARE	REPLACED BY IDENT	SERVICE CODE
L01.2U		Wk128	TD9587_HNI13/0482	TD9587_L01UM11.5	9352 699 89557				
L01.2U		Wk211	TD9577_HNI1A/0642	TD9577_L01UM21.2	9352 707 61557				
L01.2U		Wk218	TD9577_HNI1A/0818	TD9577_L01UM21.5	9352 716 19557				
L01.2U		Wk120	TD9567_HNI13/0440	TD9567_L01UM11.7	9352 697 54557				
L01.2U		Wk128	TD9567_HNI13/0483	TD9567_L01UM11.9	9352 699 89557				
L01.2U		Wk211	TD9577_HNI1A/0642	TD9577_L01UM31.2	9352 707 61557				
L01.2U		Wk218	TD9577_HNI1A/0818	TD9577_L01UM31.5	9352 716 19557				
L01.2U		Wk310	TD9567_HNI13/1136	TD9567_L01UM1.2	9352 731 64557				
L01.2U		Wk115	TD9587_HNI13/0403	TD9587_L01US11.8	9352 694 85557				
L01.2U		Wk128	TD9587_HNI13/0481	TD9587_L01US12.0	9352 699 87557				
L01.2U		Wk204	TD9567_HNI13/0637	TD9577_L01US41.4	9352 707 13557				
L01.2U		Wk217	TD9567_HNI13/0830	TD9577_L01US41.7	9352 716 32557				
L01.2U		Wk324	TD9567_HNI13/1135	TD9588_L01US61.1	9352 731 63557				
L01.XA		Wk336	TD9563_HNI13/1100	TD9562_L01AC21.4	9352 730 11557				
L01H.1A		ITV_67_68_69_79_83_84_PALSECAMN	TD9555_HNI13	TD9555_L01HA11.4	9965 000 14523				
L01H.2A		759_69_79_83_84_PALSECAM/NTSC_Ip	TD9552_HNI13	TD9552_L01HA11.4	9965 000 14513				
L01.1E	West Europe - 10 Page Text	Wk120.2 or higher	TD9566_HNI15/0381	TD9566_L01EF11.7	9352 693 76557			TD9565_L01EF11.9	9352 698 96557
L01.1E	West Europe - 10 Page Text	Wk124.4 or higher	TD9566_HNI15/0486	TD9566_L01EF11.9	9352 698 96557			TD9565_L01EF13.6	9352 716 01557
L01.1E	West Europe - 10 Page Text	Wk140.3 or higher	TD9566_HNI15/0579	TD9566_L01EF12.2	9352 704 32557		Main solved issues : NVM deprogramming, Erratic character in AV source.	TD9565_L01EF13.6	9352 716 01557
L01.1E	West Europe - 10 Page Text	Wk221.1 or higher	TD9566_HNI15/0686	TD9566_L01EF13.1	9352 716 19557			TD9565_L01EF14.2	9352 740 99557
L01.1E	West Europe - 10 Page Text	Wk323 or higher	TD9566_HNI15/1124	TD9565_L01EF14.2	9352 731 17557		Used for LQC ES4 and linked to hardware modifications (CP62223)		
L01.1E	West Europe - 10 Page Text	Wk329 or higher	TD9566_HNI15/1260	TD9565_L01EF14.2	9352 740 99557		Solved: FM radio tuning problem		
L01.1E	West Europe - 10 Page Text	Wk339 or higher	TD9566_HNI15/1378	TD9565_L01EF14.3	9352 750 79557		Solved: Sound issue with BPB bit setting		
L01.1E	East Europe - 10 Page Text	Wk120.2 or higher	TD9563_HNI15/0377	TD9563_L01EF21.5	9352 693 76557			TD9563_L01EF21.7	9352 698 96557
L01.1E	East Europe - 10 Page Text	Wk124.4 or higher	TD9563_HNI15/0468	TD9563_L01EF21.7	9352 698 96557				
L01.1E	East Europe - 10 Page Text	Wk140.3 or higher	TD9563_HNI15/0582	TD9563_L01EF22.2	9352 704 32557				
L01.1E	East Europe - 10 Page Text	Wk210 or higher	TD9566_HNI15/0739	TD9565_L01EF23.1	9352 712 25557		Main solved issues : NVM deprogramming, Erratic character in AV source.	TD9565_L01EF23.6	9352 716 02557
L01.1E	East Europe - 10 Page Text	Wk236 or higher	TD9566_HNI15/0806	TD9565_L01EF23.6	9352 716 02557			TD9565_L01EF24.2	9352 741 02557
L01.1E	East Europe - 10 Page Text	Wk323 or higher	TD9566_HNI15/1118	TD9565_L01EF24.1	9352 731 19557		Used for LQC ES4 and linked to hardware modifications (CP62223)		
L01.1E	East Europe - 10 Page Text	Wk329 or higher	TD9566_HNI15/1262	TD9565_L01EF24.2	9352 741 02557		Solved: FM radio tuning problem		
L01.1E	East Europe - 10 Page Text	Wk339 or higher	TD9566_HNI15/1380	TD9565_L01EF24.3	9352 750 79557		Solved: Sound issue with BPB bit setting		
L01.1E	West Europe - 1 Page Text	Wk150 or higher	TD9555_HNI13/0667	TD9555_L01E101.1	9352 706 92557		Initial version	TD9555_L01E151.5	9352 712 25557
L01.1E	East/West Europe - 1 Page Text	Wk210 or higher	TD9555_HNI13/0742	TD9555_L01E151.5	9352 712 29557		This version replace both the L01E101.1 and L01E101.1 Main solved issues : NVM deprogramming, Erratic character in AV source		
L01.1E	East/West Europe - 1 Page Text	Wk220 or higher	TD9555_HNI13/0800	TD9555_L01E151.7	9352 716 96557		This version replace both the L01E101.1 and L01E101.1 Main solved issues : Flyback after cold warm start, removing of the non-QSS chassis driving.	TD9555_L01E151.8	9352 725 45557
L01.1E	East/West Europe - 1 Page Text	Wk220 or higher	TD9555_HNI13/1016	TD9555_L01E151.8	9352 725 45557		Replaces the other management		
L01.1E	East/West Europe - 1 Page Text	Wk323 or higher	TD9555_HNI13/1124	TD9555_L01E151.9	9352 731 21557		Used for LQC ES4 and linked to hardware modifications (CP62223). Solved:	TD9555_L01E152.0	9352 731 21557
L01.1E	East/West Europe - 1 Page Text	Wk329 or higher	TD9555_HNI13/1200	TD9555_L01E152.0	9352 742 22557		Solved: smart sound and chn CL output without signal	TD9555_L01E152.1	9352 754 52557
L01.1E	East/West Europe - 1 Page Text	Wk341 or higher	TD9555_HNI13/1413	TD9555_L01E152.1	9352 754 52557		Solved: Set BPB bit according QSS setting		
L01.1E	West Europe	Wk219 or higher	TD9566_HNI15/0650	TD9565_L01ED11.6	9352 707 69557		Initial version	TD9565_L01ED11.8	9965 000 23230
L01.1E	West Europe	Wk226 or higher	TD9566_HNI15/0782	TD9565_L01ED11.7	9352 729 33557		Solved: Format not remembered if DVD mode is left, EHT delay, reloading of default values in SDAM, NVM corruption when auto store is interrupted after detecting more than 46 channels	TD9565_L01ED11.8	9965 000 23230
L01.1E	West Europe	Wk343 or higher	TD9566_HNI15	TD9565_L01ED11.8	9965 000 23230		Solves : TV goes in standby after pressing "TV guide" button		
L01.1E	SD3.1 application software	Wk246	AM29LV60D1-90SC	Version 4.17.11-1	9965 000 16406				
L01.1E	SD3.1 servo software	Wk246	AM29F002T	Version 5.1.14	3104 123 85660				
L01.1E	East Europe	Wk226 or higher	TD9566_HNI15/0922	TD9565_L01ED21.6	9352 721 74557		Initial version	TD9565_L01ED21.7	9352 729 32557
L01.1E	East Europe	Wk248 or higher	TD9566_HNI15/1081	TD9565_L01ED21.7	9352 729 32557				
L01.1E	East Europe	Wk342	TD9566_HNI15/1	TD9565_L01ED21.8	9352 729 32557				
L01.1E	SD3.1 application software	Wk246	AM29LV60D1-90SC	Version 4.17.11-1	9965 000 16406				
L01.1E	SD3.1 servo software	Wk246	AM29F002T	Version 5.1.14	3104 123 85660				
L01.2E	West Europe - 10 Page Text	Wk120.2 or higher	TD9566_HNI15/0375	TD9566_L01EF11.7	9352 693 76557			TD9561_L01EF11.9	9352 698 97557
L01.2E	West Europe - 10 Page Text	Wk124.4 or higher	TD9566_HNI15/0487	TD9566_L01EF11.9	9352 698 97557				
L01.2E	West Europe - 10 Page Text	Wk140.3 or higher	TD9566_HNI15/0578	TD9566_L01EF12.2	9352 704 31557				
L01.2E	West Europe - 10 Page Text	Wk211.1 or higher	TD9566_HNI15/0651	TD9567_L01EF13.1	9352 707 70557			TD9567_L01EF13.6	9352 716 07557
L01.2E	West Europe - 10 Page Text	Wk325 or higher	TD9567_HNI15/1119	TD9567_L01EF14.1	9352 731 16557		Main solved issues : NVM deprogramming, Erratic character in AV source, German translation correction, Smart sound TV added		
L01.2E	West Europe - 10 Page Text	Wk329 or higher	TD9567_HNI15/1261	TD9567_L01EF14.2	9352 741 01557		Solved: Flyback after cold warm start, RGB TX output adjustable, improvement of LQC ES4, smart sound, German translation, works in 35% for LQC	TD9567_L01EF14.2	9352 741 01557
L01.2E	West Europe - 10 Page Text	Wk339 or higher	TD9567_HNI15/1379	TD9567_L01EF14.3	9352 750 74557		Solved: FM radio tuning problems	TD9567_L01EF14.3	9352 750 74557

Software Survey

SOFTWARE SURVEY									
CHASSIS	FAMILY	PRODUCTION CODE	UP TYPE/VERSION	IDENT	SERVICE CODE	HOTEL MODE ?	REMARKS TYPICAL FOR THIS SOFTWARE	REPLACED BY IDENT	SERVICE CODE
L01.2E	West Europe - 10 Page Text	Wk120.2 or higher	TD9567H/N1/5/0385	TD9567_L01EF11.7	9352 693 87557			TD9567_L01EF11.9	9352 696 95557
L01.2E	West Europe - 10 Page Text	Wk124.4 or higher	TD9567H/N1/5/0485	TD9567_L01EF11.9	9352 698 95557				
L01.2E	West Europe - 10 Page Text	Wk140.3 or higher	TD9567H/N1/5/0580	TD9567_L01EF12.2	9352 704 33557		Main solved issues: NVM deprogramming. Erratic character in AV source, German translation correction. Smart sound TV added.	TD9567_L01EF13.6	9352 716 07557
L01.2E	West Europe - 10 Page Text	Wk211.1 or higher	TD9567H/N1/5/0651	TD9567_L01EF13.1	9352 707 70557				
L01.2E	West Europe - 10 Page Text	Wk221.4 or higher	TD9567H/N1/5/0811	TD9567_L01EF13.6	9352 716 07557		Solved: Flyback after cold/warm start, RGB TX1 output adjustable, improvement of TXT page acquisition, spatial function works if NVM locatio 13A = +80h.	TD9567_L01EF14.2	9352 741 01557
L01.2E	West Europe - 10 Page Text	Wk325 or higher	TD9567H/N1/5/1119	TD9567_L01EF14.1	9352 731 16557		Used for UOC ES4 and linked to hardware modifications (CP62223). Solved: channel zapping problem due to the program ID issue.	TD9567_L01EF14.3	9352 750 74557
L01.2E	West Europe - 10 Page Text	Wk329 or higher	TD9567H/N1/5/1261	TD9567_L01EF14.2	9352 741 03557				
L01.2E	West Europe - 10 Page Text	Wk339 or higher	TD9567H/N1/5/1379	TD9567_L01EF14.3	9352 750 74557				
L01.2E	East Europe - 10 Page Text	Wk120.2 or higher	TD9567H/N1/0376	TD9567_L01EF21.5	9352 693 87557			TD9567_L01EF21.7	9352 699 95557
L01.2E	East Europe - 10 Page Text	Wk124.4 or higher	TD9567H/N1/0469	TD9567_L01EF21.7	9352 698 95557			TD9567_L01EF22.2	9352 704 34557
L01.2E	East Europe - 10 Page Text	Wk140.3 or higher	TD9567H/N1/0581	TD9567_L01EF22.2	9352 704 33557				
L01.2E	East Europe - 10 Page Text	Wk211.1 or higher	TD9567H/N1/0740	TD9567_L01EF23.1	9352 712 23557			TD9567_L01EF23.6	9352 716 08557
L01.2E	East Europe - 10 Page Text	Wk221.1 or higher	TD9567H/N1/0812	TD9567_L01EF23.6	9352 716 08557				
L01.2E	East Europe - 10 Page Text	Wk325 or higher	TD9567H/N1/5/1122	TD9567_L01EF24.1	9352 731 16557			TD9567_L01EF24.2	9352 741 03557
L01.2E	East Europe - 10 Page Text	Wk329 or higher	TD9567H/N1/5/1263	TD9567_L01EF24.2	9352 741 03557			TD9567_L01EF24.3	9352 750 76557
L01.2E	East Europe - 10 Page Text	Wk339 or higher	TD9567H/N1/5/1381	TD9567_L01EF24.3	9352 750 76557				
L01.2E	West/West Europe - 1 Page Text	Wk329 or higher	TD9552H/N1/3/0668	TD9552_L01E151.1	9352 708 93557		This version replace both the L01E101.1 and L01E191.1 Main solved issues: NVM deprogramming. Erratic character in AV source.	TD9552_L01E151.5	9352 712 24557
L01.2E	East/West Europe - 1 Page Text	Wk341 or higher	TD9552H/N1/3/0741	TD9552_L01E151.5	9352 712 24557		This version replace both the L01E101.1 and L01E191.1 Main solved issues: NVM deprogramming. Erratic character in AV source.	TD9552_L01E151.8	9352 725 44557
L01.2E	East/West Europe - 1 Page Text	Wk341 or higher	TD9552H/N1/3/0799	TD9552_L01E151.7	9352 719 96557		To drive -5S chassis, version L01E151.5 must be used.		
L01.2E	East/West Europe - 1 Page Text	Wk325 or higher	TD9552H/N1/3/1015	TD9552_L01E151.8	9352 725 44557		Solved issue: TV does not reset after channel change	TD9552_L01E151.9	9352 731 19557
L01.2E	East/West Europe - 1 Page Text	Wk329 or higher	TD9552H/N1/3/1123	TD9552_L01E151.9	9352 731 19557		Used for UOC ES4 and linked to hardware modifications (CP62223). Solved: channel zapping problem due to the program ID issue	TD9552_L01E152.0	9352 742 21557
L01.2E	East/West Europe - 1 Page Text	Wk341 or higher	TD9552H/N1/3/1289	TD9552_L01E152.0	9352 742 21557		Solved: smart sound and onch. CL output without signal	TD9552_L01E152.1	9352 754 53557
L01.2E	East/West Europe - 1 Page Text	Wk341 or higher	TD9552H/N1/3/1414	TD9552_L01E152.1	9352 754 53557		Solved: Set BBP bit according QSS setting		
L01.1E	West Europe	Wk318	TD9565H/N1/5/0727	TD9565_L0DEF11.0	?				
L01.1E	West Europe	Wk320	TD9565H/N1/5/0727	TD9565_L0DEF11.1	?		Solved: virtual Dolby in radio mode, add return key for DVD		
L01.1E	West Europe	Wk329	TD9565H/N1/5/0777	TD9565_L0DEF11.2	9965 000 26548				
L01.1E	East Europe	Wk318	TD9565H/N1/5/0777	TD9565_L3DEF2-1.0	?				
L01.1E	East Europe	Wk320	TD9565H/N1/5/0777	TD9565_L3DEF2-1.1	?				
L01.1E	East Europe	Wk329	TD9565H/N1/5/0777	TD9565_L3DEF2-1.2	?				
L01.1E	East Europe (21PT6818/59)	?	TD9565H/N1/5/1439	TD9565_L3DEF2-1.28	9965 000 26548				
L01H.1A			TD9555H/N1/3	L01HA1 1.4	9665 000 14523		OTP		
L01H.2A			TD9555H/N1/3	L01HA1 1.4	9665 000 14513		OTP		
L01H.1E	EU	Wk234.1 or higher	TD9555H/N1/3/0608	L01HE1 VER 1.0	9352 706 23557		No flyback line at start-up	L01HE1 VER 1.1	9352 722 11557
L01H.1E	EU	Wk325 or higher	TD9555H/N1/3/0930	L01HE1 VER 1.1	9352 722 11557		Used for UOC ES4 and linked to hardware modifications (CP62297).		
L01H.2E	EU	Wk234.1 or higher	TD9555H/N1/3/0607	L01HE1 VER 1.0	9352 706 23557		No flyback line at start-up	L01HE1 VER 1.1	9352 722 10557
L01H.2E	EU	Wk305 or higher	TD9555H/N1/3/0929	L01HE1 VER 1.1	9352 722 10557		Used for UOC ES4 and linked to hardware modifications (CP62297).		
L01H.2E	EU	Wk305 or higher	TD9555H/N1/3/0724	L01HE1 VER 1.2	9352 740 49557				
L03U	LO3SP		TD9377PS/N2/A11450	L03UN11.1	9352 741 74557		Solved: Mono radio search with UOC ES4.3		
L03U	LO3SP	Wk343	TD9377PS/N2/A11372	TD9377_L03US11.0	9352 748 89112			TD9377_L03UM11.3	9352 750 94112
L03U	LO3SP	Wk350	TD9377PS/N2/A11424	TD9377_L03US21.1	9352 755 47112				
L03L	LO3SP	Wk315	TD9377PS/N2/A11204	TD9377_L03LM11.2	9352 737 37112			TD9377_L03LS11.7	9352 750 96112
L03L	LO3SP	Wk346	TD9377PS/N2/A11385	TD9377_L03LM11.3	9352 750 87112				
L03L	LO3SP	Wk315	TD9370PS/N2/A11205	TD9370_L03LM11.3	9352 737 39112			TD9370_L03LS11.7	9352 750 94112
L03L	LO3SP	Wk346	TD9370PS/N2/A11382	TD9370_L03LM11.3	9352 750 94112				
L03L	LO3SP	Wk327	TD9377PS/N2/A11207	TD9377_L03LS11.3	9352 737 41112			TD9377_L03LS11.7	9352 750 96112
L03L	LO3SP	Wk346	TD9377PS/N2/A11279	TD9377_L03LS11.6	9352 741 93112				
L03L	LO3SP	Wk346	TD9377PS/N2/A11384	TD9377_L03LS11.7	9352 750 96112				
L03L	LO3SP	Wk315	TD9370PS/N2/A11206	TD9370_L03LS11.3	9352 737 39112			TD9370_L03LS11.7	9352 750 95112
L03L	LO3SP	Wk327	TD9370PS/N2/A11280	TD9370_L03LS11.6	9352 741 94112				
L03L	LO3SP	Wk346	TD9370PS/N2/A11383	TD9370_L03LS11.7	9352 750 95112				
L04E	West Europe, Radio	Wk433 or higher	TD112020H1/N1B11	L4LEFF_1.6	3139 127 01142			L4LEFF_1.7	3139 127 01142
			TD112021H1/N1B11						

Software Survey

SOFTWARE SURVEY

CHASSIS	FAMILY	PRODUCTION CODE	UP TYPE/VERSION	IDENT	SERVICE CODE	HOTEL MODE ?	REMARKS TYPICAL FOR THIS SOFTWARE	REPLACED BY IDENT	SERVICE CODE
LO4E	West Europe, Radio	Wk441 or higher	TDA12020H/INIB11 TDA12021H/INIB11	L4LEF1_1.7	3139 127 01143		Solved: FM channel cannot be stored when performing manual store in Radio Mode, Background Brightness in Radio mode	-	-
LO4E	East Europe, Radio	Wk433 or higher	TDA12020H/INIB11 TDA12021H/INIB11	L4LEF2_1.6	3139 127 01152			L4LEF2_1.6	3139 127 01153
LO4E	East Europe, Radio	Wk441 or higher	TDA12020H/INIB11 TDA12021H/INIB11	L4LEF2_1.7	3139 127 01153		Solved: FM channel cannot be stored when performing manual store in Radio Mode, Background Brightness in Radio mode	-	-
LO4E	West Europe, PIP	Wk426 or higher	TDA12020H/INIB11 TDA12021H/INIB11	L04EF3_1.7	3139 127 01161		Solved: CR 223: solution to not cover the edge in 4:3 zoom format	L04EF3_1.8	3139 127 01162
LO4E	West Europe, PIP	Wk441 or higher	TDA12020H/INIB11 TDA12021H/INIB11	L04EF3_1.8	3139 127 01162			-	-
LO4E	East Europe, PIP	Wk426 or higher	TDA12020H/INIB11 TDA12021H/INIB11	L04EF4_1.7	3139 127 01171			L04EF4_1.8	3139 127 01172
LO4E	East Europe, PIP	Wk441 or higher	TDA12020H/INIB11 TDA12021H/INIB11	L04EF4_1.8	3139 127 01172		Solved: CR 223: solution to not cover the edge in 4:3 zoom format	-	-
LO4E	West Europe (>21), PIP	Wk414 or higher	TDA12020H/INIB11 TDA12021H/INIB11	L4LEF5_1.0	3139 127 01541			-	-
LO4E	East Europe (>21), PIP	Wk414 or higher	TDA12020H/INIB11 TDA12021H/INIB11	L4LEF6_1.0	3139 127 01551			-	-
LO4E	East/West Europe	Wk426 or higher	TDA12020H/INIB11 TDA12021H/INIB11	L4LEF7_1.5	3139 127 01181		Solved: Continuous Zoom of screen format 4:3 is remembered, NR doesn't work when toggle LTI feature	L4LEF7_1.7	9965 000 26211
LO4E	East/West Europe	Wk433 or higher	TDA12020H/INIB11 TDA12021H/INIB11	L04EF7_1.7	3139 127 01182		Solved: Nicam mute (need new library), Nicam stereo detection incorrect XT favorit page n+1 not memorized, character '0' displayed in the screen	L4LEF7_1.8	3139 127 01183
LO4E	East/West Europe	Wk441 or higher	TDA12020H/INIB11 TDA12021H/INIB11	L04EF7_1.8	3139 127 01183		Solved: Continuous Zoom of screen format 4:3 is remembered, NR doesn't work when toggle LTI feature, CR161: ICON UI software missing LTI function	-	-
LO4E			TDA12021H/INIB11	L4TEF1_1.0					
LO4E			TDA12021H/INIB11	L4IEF1_X	3139 127 02861			L4IEF1_1.5	3139 127 02862
LO4E			TDA12021H/INIB11	L4IEF1_1.5	3139 127 02862				
LO4E	IBO			NOR2.1	3139 127 02692				
LO4A	China/Thai AP	Wk409 or higher	TDA12060H/INIB001AE TDA12010H/INIB101AF TDA12011H/INIB101AG	L04AN1_1.0	3139 127 01101			L4LAN1_1.9	3139 127 01231
LO4A	China/Thai AP	Wk4xx or higher	TDA12060H/INIB001AE TDA12010H/INIB101AF TDA12011H/INIB101AG	L4LAN1_1.9	3139 127 01231		Solved: No sound after press SAP key twice, Monitor out no sound, PAL I detection wrong/improve sound detection over modulation and auto detection level.		
LO4A	India AP	Wk4xx or higher	TDA12060H/INIB001AH TDA12011H/INIB101AH	L04AN2_1.0	3139 127 01111			L04ANZ_1.1	3139 127 01241
LO4A	India AP	Wk431 or higher	TDA12060H/INIB001AH TDA12011H/INIB101AH	L04AN2_1.1	3139 127 01241		Solved: monitor out no sound, only support 100 channel sound standard and color standard while there is 200 channels, AV-Stereo Auto-Sound Detection, Modify sound detection behavior and algorithm to solve sound detection and cracking, OSD Name change from Digi Pic Demo to D.C.V. Demo		
LO4A	S'pore Aus NZ AP	Wk4xx or higher	TDA12020H/INIB101AI TDA12021H/INIB101AJ	L04AF1_1.0	3139 127 01081			L04AF1_1.6	3139 127 01211
LO4A	S'pore Aus NZ AP	Wk415 or higher	TDA12020H/INIB101AI TDA12021H/INIB101AJ	L04AF1_1.6	3139 127 01211		Solved: TV Sets switch off with incorrect stop times, Active control value are wrong during pressing smart key, auto program will be interrupt by pressing 123654 key, some keys (Incredible Surround, AV) doesn't work in the teletext, PAL-I no NICAM after working several minutes, the sound level is abnormal after do cold start, Picture will be more wide when switch TV to mixed teletext mode, get wrong sound mode when select sound mode in factory, EWWW offset in EURL Text, Macdab, br_16:3, safd.		
LO4A	Middle East AP	Wk4xx or higher	TDA12020H/INIB101AK TDA12021H/INIB101AL	L04AF2_1.0	3139 127 01091			L4LAF2_1.5	3139 127 01221
LO4A	Middle East AP	Wk415 or higher	TDA12020H/INIB101AK TDA12021H/INIB101AL	L04AF2_1.5	3139 127 01221		Solved: Sets switch off with incorrect stop time on the top of subtitle was invisible (time and data) in teletext mode, Active control value are wrong during pressing smart key, auto program will be interrupt by pressing 123654 key, some keys (Incredible Surround, AV) doesn't work in the teletext, PAL-I no NICAM after working several minutes, the sound level is abnormal after do cold start, Picture will be more wide when switch TV to mixed teletext mode, get wrong sound mode when select sound mode in factory		
LO4A	Taiwan/Philippine AP	Wk4xx or higher	TDA12010H/INIB501AM TDA12011H/INIB511AN	L04AC1_1.0	3139 127 01071			L4LAC1_1.4	3139 127 01201
LO4A	Taiwan/Philippine AP	Wk4xx or higher	TDA12010H/INIB501AM TDA12011H/INIB511AN	L04AC1_1.4	3139 127 01201		Solved: To add factory mode command (2, y) + (23, 34) / Adjustable Max Bass Level		

Software Survey

SOFTWARE SURVEY									
CHASSIS	FAMILY	PRODUCTION CODE	UP TYPE/VERSION	IDENT	SERVICE CODE	HOTEL MODE ?	REMARKS TYPICAL FOR THIS SOFTWARE	REPLACED BY IDENT	SERVICE CODE
LO4U	Nafra	Wk4xx or higher	TDA12000H1NIB501AB TDA12000H1NIB501AC TDA12000H1NIB501AD	LO4US1_2.0	3139 127 00991			L4LUS1_2.1	3139 127 01121
LO4U	Nafra	Wk4xx or higher	TDA12000H1NIB501AB TDA12000H1NIB501AC TDA12000H1NIB501AD	LO4US1_2.1	3139 127 01121			L4LUS1_2.5	3139 127 01122
LO4U			TDA12000H1NIB501AB TDA12000H1NIB501AC TDA12000H1NIB501AD	L4LUS1_2.5	3139 127 01122		Solved:TLI is not turned off in Factory mode	L4LUS1_2.6	3139 127 01123
LO4U			TDA12000H1NIB501AB TDA12000H1NIB501AC TDA12000H1NIB501AD	L4LUS1_2.6	3139 127 01123		Solution for sound initialization		
LO4L	Lafam	Wk4xx or higher	TDA12040H1NIB501AO TDA12040H1NIB501AP	LO4LS1_1.0	3139 127 01001			L4LUS1_1.3	3139 127 01131
LO4L			TDA12040H1NIB501AO TDA12040H1NIB501AP	L4LUS1_1.3	3139 127 01131		Solved:dtl will be seen during auto program Auto Program does not	L4LUS1_1.6	3139 127 01132
LO4L			TDA12040H1NIB501AO TDA12040H1NIB501AP	L4LUS1_1.6	3139 127 01132		Solved:KONAS 2469. No. is not checked by the software Solved:SAIP OSD display not correctly/WIDESCREEN/FORMAT, individual		
LO4L			TDA12040H1NIB501AO TDA12040H1NIB501AP	L4LUS1_1.7	3139 127 01133		element and Offset address to 50Hz and 60Hz.To Align the Horizontal Shift	L4LUS1_1.7	3139 127 01133
LO4L			TDA12040H1NIB501AO TDA12040H1NIB501AP	L4LUS1_1.7	3139 127 01133		Solved:Reduce stereo detection sensitivity for a special channel in LalamLost sound in local transmission. (LAMS8346).To Align the Horizontal Shift (HSH) for		
LC03E	West Europe	Wk313 or higher	SAA5667 H/L/M1	LC03E21-2.00	9965 000 18102		Use scaler software S3xx 2.00	LC03E21-2.07	9965 000 21051
LC03E	West Europe	Wk320 or higher	SAA5667 H/L/M1	LC03E21-2.03	3111 250 54881		Use scaler software S3xx 2.04	LC03E21-2.07	9965 000 21051
LC03E	West Europe	Wk324 or higher	SAA5667 H/L/M1	LC03E21-2.05	9965 000 26574		Use scaler software S3xx 2.06	LC03E21-2.07	9965 000 21051
LC03E	West Europe	Wk324 or higher	SAA5667 H/L/M1	LC03E21-2.06	9965 000 23136		Use scaler software S3xx 2.06	LC03E21-2.07	9965 000 21051
LC03E	West Europe	Wk324 or higher	SAA5667 H/L/M1	LC03E21-2.07	9965 000 26575		Use scaler software S3xx 2.08	LC03E21-2.07	9965 000 21051
LC03E	West Europe	Wk328 or higher	SAA5667 H/L/M1	LC03E21-2.08	9965 000 21051		For 15/17" IPS use scaler software S3xx 2.08	LC03E21-2.07	9965 000 21051
LC03E	West Europe	Wk377 or higher	SAA5667 H/L/M1	LC03E21-2.09	9965 000 29453		For 15/17" IPS use scaler software S3xx 2.09		
LC03E	East Europe	Wk313 or higher	SAA5667 H/L/M1	LC03E22-2.00	9965 000 18103		Use scaler software S3xx 2.00	LC03E21-2.07	9965 000 21051
LC03E	East Europe	Wk320 or higher	SAA5667 H/L/M1	LC03E22-2.03	3111 250 54881		Use scaler software S3xx 2.04	LC03E21-2.07	9965 000 21051
LC03E	East Europe	Wk324 or higher	SAA5667 H/L/M1	LC03E22-2.04	9965 000 26576		Use scaler software S3xx 2.06	LC03E21-2.07	9965 000 21051
LC03E	East Europe	Wk324 or higher	SAA5667 H/L/M1	LC03E22-2.05	9965 000 23135		Use scaler software S3xx 2.06	LC03E21-2.07	9965 000 21051
LC03E	East Europe	Wk324 or higher	SAA5667 H/L/M1	LC03E22-2.06	9965 000 26601		Use scaler software S3xx 2.08	LC03E21-2.07	9965 000 21051
LC03E	East Europe	Wk328 or higher	SAA5667 H/L/M1	LC03E22-2.07	9965 000 21052		For 15/17" TN use scaler software S3xx 2.08	LC03E21-2.07	9965 000 21051
LC03E	East Europe	Wk377 or higher	SAA5667 H/L/M1	LC03E22-2.09	3111 250 54981		For 15/17" TN use scaler software S3xx 2.08		
LC03A	AP_PAL_69 15' & 17'	Wk777 or higher	SAA5667 H/L/M1	LC03A21-2.00	9965 000 19412		Use scaler software S3xx 2.00		
LC03A	AP_PAL_69 15' & 17'	Wk777 or higher	SAA5667 H/L/M1	LC03A21-2.03	9965 000 21078		Use scaler software S3xx 2.08		
LC03A	AP_PAL_69 15' & 17'	Wk777 or higher	SAA5667 H/L/M1	LC03A21-2.04	9965 000 23132		Use scaler software S3xx 2.08		
LC03A	AP_PAL_61 15' & 17'	Wk777 or higher	SAA5647 H/L/M1	LC03A32-2.03	9965 000 21079		Use scaler software S3xx 2.08		
LC03A	AP_PAL_61 15' & 17'	Wk777 or higher	SAA5647 H/L/M1	LC03A32-2.04	9965 000 23131		Use scaler software S3xx 2.08		
LC03U	NAFTA 15' & 17'	Wk777 or higher	SAA5647 H/L/M1	LC03U11-2.01	9965 000 19420		Use scaler software S3xx 2.00		
LC03U	NAFTA 15' & 17'	Wk777 or higher	SAA5647 H/L/M1	LC03U11-2.03	9965 000 21083		Use scaler software S3xx 2.08		
LC03U	NAFTA 15' & 17'	Wk777 or higher	SAA5647 H/L/M1	LC03U11-2.04	9965 000 23133		Use scaler software S3xx 2.08		
LC03L	LATAM, 15' & 17'	Wk777 or higher	SAA5647 H/L/M1	LC03L11-2.00	9965 000 22372		Use scaler software S3xx 2.00		
LC03L	LATAM, 15' & 17'	Wk777 or higher	SAA5647 H/L/M1	LC03L11-2.01	9965 000 23134		Use scaler software S3xx 2.00		
LC03	15" Scaler board	Wk217 or higher	M29F002B1-90P1 (9322 190 48682)	S315 2.00	9965 000 18108		This Scaler software must always be used in combination with : -TV software LC03E21-2.00 (West Europe) or LC03E22-2.00 (East Europe)	S315 2.11	9965 000 22752
LC03	15" Scaler board NVM	Wk777 or higher	M24C16-BN6 (9322 126 62882)	NVM15_2.00	9965 000 18153		This NVM can only be used in combination with the Scaler board software S315 2.00		
LC03	15" Scaler board	Wk777 or higher		S315 2.04	9965 000 19542		The Scaler software must always be used in combination with : -TV software LC03E21-2.03 (West Europe) or LC03E22-2.03 (East Europe)	S315 2.11	9965 000 22752
LC03	15" Scaler board NVM	Wk777 or higher		NVM15_2.04	9965 000 19543		This NVM can only be used in combination with the Scaler board software S315 2.04		
LC03	15" Scaler board	Wk777 or higher		S315 2.06	9965 000 19542		This Scaler software must always be used in combination with : -TV software LC03E21-2.03 (West Europe) or LC03E22-2.03 (East Europe)	S315 2.11	9965 000 22752
LC03	15" Scaler board NVM	Wk777 or higher		NVM15_2.06	9965 000 19543		This NVM can only be used in combination with the Scaler board software S315 2.04		
LC03	15" Scaler board	Wk777 or higher		S315 2.07	9965 000 22638		This Scaler software must always be used in combination with : -TV software LC03E21-2.05 (West Europe) or LC03E22-2.05 (East Europe)	S315 2.11	9965 000 22752
LC03	15" Scaler board NVM	Wk777 or higher		NVM15_2.07	9965 000 22633		This NVM can only be used in combination with the Scaler board software S315 2.07		
LC03	15" Scaler board	Wk777 or higher		S315 2.08	9965 000 21189		This Scaler software must always be used in combination with : -TV software LC03E21-2.07 (West Europe) or LC03E22-2.07 (East Europe)	S315 2.11	9965 000 22752

Software Survey

SOFTWARE SURVEY									
CHASSIS	FAMILY	PRODUCTION CODE	UP TYPE/VERSION	IDENT	SERVICE CODE	HOTEL MODE ?	REMARKS TYPICAL FOR THIS SOFTWARE	REPLACED BY IDENT	SERVICE CODE
LC03	15" Scaler board NVM	WK???	M24C02-VMIN6 (0352 145-26668)	NVML15_2.08	9965 000 21188		This NVM can only be used in combination with the Scaler board software S315 2.08.		
LC03	15" Scaler board	WK???		S315 2.11	9965 000 22752		This Scaler software must always be used in combination with : -TV software LCO3E21-2.09 (West Europe) or LCO3E22-2.09 (East Europe) -NVML15_2.11.on.position.7752		
LC03	15" Scaler board NVM	WK???		NVML15_2.11	9965 000 22753		This NVM can only be used in combination with the Scaler board software S315 2.11		
LC03	15" Scaler board	WK???		S315 2.21	9965 000 22763	ps	This Scaler software must always be used in combination with : -TV software LCO3E21-2.09 (West Europe) or LCO3E22-2.09 (East Europe) -NVML15_2.21.on.position.7762		
LC03	15" Scaler board NVM	WK???		NVML15_2.21	9965 000 22765		This NVM can only be used in combination with the Scaler board software S315 2.21		
LC03	15" Scaler board	WK???		S315 2.24	9965 000 25406	ps	This Scaler software must always be used in combination with : -TV software LCO3E21-2.09 (West Europe) or LCO3E22-2.09 (East Europe) -NVML15_2.21.on.position.7752		
LC03	15" Scaler board NVM	WK???	M24C02-VMIN6 (0352 145-26668)	DDC15	9965 000 18148		This NVM is compatible with all TV and 15" Scaler board software versions		
LC03	17" Scaler board	WK217		S317 2.00	9965 000 18098		This Scaler software must always be used in combination with : -TV software LCO3E21-2.00 (West Europe) or LCO3E22-2.00 (East Europe) -NVML15_2.00.on.position.7762	S317 2.11	9965 000 22761
LC03	17" Scaler board NVM	WK???		NVML17_2.00	9965 000 18154		This NVM can only be used in combination with the Scaler board software S317 2.00		
LC03	17" Scaler board	WK???		S317 2.04	9965 000 19550		This Scaler software must always be used in combination with : -TV software LCO3E21-2.03 (West Europe) or LCO3E22-2.03 (East Europe) -NVML15_2.00.on.position.7752	S317 2.11	9965 000 22761
LC03	17" Scaler board NVM	WK???		NVML17_2.04	9965 000 19551		This NVM can only be used in combination with the Scaler board software S317 2.04		
LC03	17" Scaler board	WK???		S317 2.07	9965 000 22634		This Scaler software must always be used in combination with : -TV software LCO3E21-2.05 (West Europe) or LCO3E22-2.05 (East Europe) -NVML15_2.07.on.position.7762	S317 2.11	9965 000 22761
LC03	17" Scaler board NVM	WK???		NVML17_2.07	9965 000 22641		This NVM can only be used in combination with the Scaler board software S317 2.07		
LC03	17" Scaler board	WK???		S317 2.08	9965 000 21195		This Scaler software must always be used in combination with : -TV software LCO3E21-2.07 (West Europe) or LCO3E22-2.07 (East Europe) -NVML15_2.08.on.position.7762	S317 2.11	9965 000 22761
LC03	17" Scaler board NVM	WK???		NVML17_2.08	9965 000 21196		This NVM can only be used in combination with the Scaler board software S317 2.08		
LC03	17" Scaler board	WK???		S317 2.11	9965 000 22761		This Scaler software must always be used in combination with : -TV software LCO3E21-2.00 (West Europe) or LCO3E22-2.00 (East Europe) -NVML17_2.11.on.position.7762		
LC03	17" Scaler board NVM	WK???		NVML17_2.11	9965 000 22762	in	This NVM can only be used in combination with the Scaler board software S317 2.11		
LC03	17" Scaler board	WK???		S317 2.21	9965 000 22764	ps	This Scaler software must always be used in combination with : -TV software LCO3E21-2.09 (West Europe) or LCO3E22-2.09 (East Europe) -NVML17_2.21.on.position.7762		
LC03	17" Scaler board NVM	WK???		NVML17_2.21	9965 000 22766		This NVM can only be used in combination with the Scaler board software S317 2.21		
LC03	17" Scaler board	WK???		S317 2.23	9965 000 24207	ps	This Scaler software must always be used in combination with : -TV software LCO3E21-2.09 (West Europe) or LCO3E22-2.09 (East Europe) -NVML17_2.21.on.position.7762		
LC03	17" Scaler board	WK???		S317 2.24	9965 000 25419	ps	This Scaler software must always be used in combination with : -TV software LCO3E21-2.09 (West Europe) or LCO3E22-2.09 (East Europe) -NVML17_2.21.on.position.7762		
LC03	17" Scaler board NVM	WK???	M24C02-VMIN6 (0352 145-26668)	DDC17	9965 000 18149		This NVM is compatible with all TV and 15" Scaler board software versions		
LC03	23" Scaler board	WK???		S323 2.08	9965 000 26634				
LC03	23" Scaler board NVM	WK???		NVML23_2.08	9965 000 26634				
LC03	23" Scaler board	WK???		S323 2.09	9965 000 21053				
LC03	23" Scaler board NVM	WK???		NVML23_2.09	9965 000 21053				
LC03	23" Scaler board	WK???		S323 2.21	9965 000 26637				
LC03	23" Scaler board NVM	WK???		NVML23_2.21	9965 000 26638				
LC03	23" Scaler board NVM	WK???		DDC23	9965 000 21054				
LC13A	AP_VGA	WK37?	SAA5667HLM1	LC13AG1-1.00	9965 000 23163			LC13EG1-1.05	9965 000 23142
LC13A	AP_XGA	WK37?	SAA5667HLM1	LC13AX1-1.00	9965 000 23164			LC13EG1-1.05	9965 000 23142
LC13E	West Europe_VGA	WK335	SAA5667HLM1	LC13EG1-1.01	3111 250 54981			LC13EG1-1.07	3111 250 56041
LC13E	West Europe_VGA	WK338	SAA5667HLM1	LC13EG1-1.02	3111 250 54981			LC13EG1-1.07	3111 250 56041
LC13E	West Europe_VGA	WK341	SAA5667HLM1	LC13EG1-1.03	9965 000 23142			LC13EG1-1.07	3111 250 56041
LC13E	West Europe_VGA	WK37?	SAA5667HLM1	LC13EG1-1.05	9965 000 23142			LC13EG1-1.07	3111 250 56041
LC13E	East Europe_VGA	WK335	SAA5667HLM1	LC13EG2-1.01	3111 250 56041			LC13EG2-1.07	3111 250 56051
LC13E	East Europe_VGA	WK338	SAA5667HLM1	LC13EG2-1.02	3111 250 56041			LC13EG2-1.07	3111 250 56051
LC13E	East Europe_VGA	WK341	SAA5667HLM1	LC13EG2-1.03	9965 000 23143			LC13EG2-1.07	3111 250 56051
LC13E	East Europe_VGA	WK37?	SAA5667HLM1	LC13EG2-1.07	3111 250 56051			LC13EG2-1.07	3111 250 56051
LC13E	West Europe_XGA	WK37?	SAA5667HLM1	LC13EX1-1.03	3111 250 56041			LC13EG2-1.05	9965 000 23143
LC13E	West Europe_XGA	WK37?	SAA5667HLM1	LC13EX1-1.05	3111 250 56041			LC13EG2-1.05	9965 000 23143
LC13E	East Europe_XGA	WK37?	SAA5667HLM1	LC13EX2-1.03	3111 250 56071			LC13EG2-1.05	9965 000 23143
LC13E	East Europe_XGA	WK37?	SAA5667HLM1	LC13EX2-1.05	3111 250 56071			LC13EG2-1.05	9965 000 23143

Software Survey

SOFTWARE SURVEY									
CHASSIS	FAMILY	PRODUCTION CODE	UP TYPE/VERSION	IDENT	SERVICE CODE	HOTEL MODE ?	REMARKS TYPICAL FOR THIS SOFTWARE	REPLACED BY IDENT	SERVICE CODE
LC4.13U	Natia, VGA	Wk437? or higher	SAA5667HL/M1	LC4.13UG1_1.04	9965 000 23145			LC4.13UG1_1.04	9965 000 23145
LC4.13U	Natia, XGA	Wk437? or higher	SAA5667HL/M1	LC4.13UX1_1.04	9965 000 23146			LC4.13UG1_1.04	9965 000 23145
LC4.1A	Hercules, No pixel plus		TD115021HNTA11	LC41AP1_1.00	3139 127 02791			LC41AP1_1.03	3139 127 03901
LC4.1A	Hercules, No pixel plus, China		TD115011HNTA50	LC41AP1_1.03	3139 127 03901				
LC4.1E	Hercules, No pixel plus, WE		TD115021HNTA11	LC41EP1_1.00	3139 127 02311			LC41EP1_1.04	3139 127 02312
LC4.1E	Hercules, No pixel plus, WE		TD115021HNTA11	LC41EP1_1.04	3139 127 02312				
LC4.1E	Hercules, No pixel plus, EE		TD115021HNTA11	LC41EP2_1.00	3139 127 02301			LC41EP2_1.04	3139 127 02302
LC4.1E	Hercules, No pixel plus, EE		TD115021HNTA11	LC41EP2_1.04	3139 127 02302				
LC4.1L	Hercules, No pixel plus		TD115011HNTA50	LC41LP1_1.01	3139 127 02801				
LC4.1U	Hercules, No pixel plus		TD115001HNTA50	LC41UNI_1.01	3139 127 02431			LC41UNI_1.04	3139 127 02432
LC4.1U	Hercules, No pixel plus		TD115001HNTA50	LC41UNI_1.04	3139 127 02432				
LC4.1A	Scaler, XGA			S41RV1_AP_1.01	3139 127 03251				
LC4.1A	Scaler, XGA, China			S41RV1_CHINA_1.03	3139 127 03871				
LC4.1E	Scaler, WE, VGA	Wk435 or higher		S41EV1_1.02	3139 127 02351			S41EV1_1.06	3139 127 02352
LC4.1E	Scaler, WE, VGA	Wk435 or higher		S41EV1_1.06	3139 127 02352				
LC4.1E	Scaler, EE, VGA	Wk435 or higher		S41EV2_1.02	3139 127 02361			S41EV2_1.06	3139 127 02362
LC4.1E	Scaler, EE, VGA	Wk435 or higher		S41EV2_1.06	3139 127 02362				
LC4.1E	Scaler, WE, XGA	Wk435 or higher		S41EX1_1.02	3139 127 02331			S41EX1_1.05	3139 127 02332
LC4.1E	Scaler, WE, XGA	Wk435 or higher		S41EX1_1.05	3139 127 02332				
LC4.1E	Scaler, EE, XGA	Wk435 or higher		S41EX2_1.02	3139 127 02341			S41EX2_1.05	3139 127 02342
LC4.1E	Scaler, EE, XGA	Wk435 or higher		S41EX2_1.05	3139 127 02342				
LC4.1L	Scaler, XGA			S41RX1_L1M_1.00	3139 127 02241			S41RX1_1.03	3139 127 02411
LC4.1L	Scaler, XGA			S41RX1_L1M_1.01	3139 127 02242				
LC4.1U	Scaler, VGA	Wk4xx or higher		S41RV1_1.01	3139 127 02401				
LC4.1U	Scaler, XGA	Wk4xx or higher		S41RV1_1.03	3139 127 02411				
LC4.1U	Scaler, XGA	Wk4xx or higher		S41RX1_1.07	3139 127 02412				
LC4.1AE/U	DDC VGA	Wk432 or higher		DDC_151P/LP/NTN	3139 127 02461				
LC4.1AE/U	DDC VGA	Wk432 or higher		DDC_171P/LP/NTN	3139 127 02471				
LC4.1AE/U	DDC VGA	Wk442 or higher		DDC_20L/P/LP/S	3139 127 03851			DDC_20L/P/LP/S	3139 127 03852
LC4.1AE/U	DDC VGA	Wk502 or higher		DDC_20L/P/LP/S	3139 127 03852				
LC4.1AE/U	DDC VGA	Wk432 or higher		DDC_230D/ITN	3139 127 02321				
LC4.2A	Hercules			LC42AP1_1.08	3139 127 01391			LC42AP1_1.09	3139 127 01392
LC4.2A	Hercules, Pixel plus			LC42AP1_1.09	3139 127 01392				
LC4.2A	Hercules, Pixel plus			LC42AX1_1.02	3139 127 02031			LC42AX1_1.03	3139 127 02032
LC4.2A	Hercules, Arch 3			LC42AX1_1.03	3139 127 02032				
LC4.2A	Hercules, Arch 3			LC42AA3_1.00	3139 127 03571			LC42AA3_1.01	3139 127 03572
LC4.2A	Hercules, Arch 3			LC42AA3_1.01	3139 127 03572				
LC4.2A	Hercules			LC42HA1_1.00	3139 127 03521				
LC4.2A	Hercules			LC42HA1_1.0608	3139 127 03522			LC42HA1_1.0608	3139 127 03522
LC4.2E	Hercules, WE	Wk419 or higher		LC42EP1_1.05			For this TV software use Scaler software S42GV1_1.04 Removing of info line in AVI Blue mute sync problem, Containment action for '0' OSD extender on screen, Nicam sound loses and Light Sensor reaction time		
LC4.2E	Hercules, WE	Wk420 or higher		LC42EP1_1.07			For this TV software use Scaler software S42GV1_1.06		
LC4.2E	Hercules, WE	Wk428 or higher		LC42EP1_1.09	3139 127 01411			LC42EP1_3.03	3139 127 01412
LC4.2E	Hercules, WE	Wk428 or higher		LC42EP1_1.11			For this TV software use Scaler software S42GV1_1.06 Mistake in Italian language (Full screen/Wide Screen), TXT possible in RGB mode, Removing of Wall Paper in FM Radio, info line removed and improvement of starting-up issue for '1'		
LC4.2E	Hercules, WE	Wk437 or higher		LC42EP1_3.03	3139 127 01412			LC42EP1_3.05	3139 127 01413
LC4.2E	Hercules, WE	Wk438 or higher		LC42EP1_3.04	3139 127 01412				
LC4.2E	Hercules, WE	Wk438 or higher		LC42EP1_3.05	3139 127 01413				
LC4.2E	Hercules, Pixel plus	TV software		LC42EX1_1.00					
LC4.2E	Hercules, Pixel plus	TV software		LC42EX1_1.02	3139 127 02001			LC42EX1_1.04	3139 127 02002
LC4.2E	Hercules, Pixel plus	TV software		LC42EX1_1.04	3139 127 02002				
LC4.2E	Hercules, Arch 3	TV software		LC42EA3_1.01	3139 127 03221			LC42EA3_1.04	3139 127 03222
LC4.2E	Hercules, Arch 3	TV software		LC42EA3_1.02	3139 127 03222				
LC4.2E	Hercules, Arch 3	TV software		LC42EA3_1.05	3139 127 03792				
LC4.2E	Hercules, Streamium	TV software		LC42ES1_1.01	3139 127 03471				
LC4.2U	Hercules	TV software		LC42UNI_1.10	3139 127 01402				

Software Survey

SOFTWARE SURVEY									
CHASSIS	FAMILY	PRODUCTION CODE	UP TYPE/VERSION	IDENT	SERVICE CODE	HOTEL MODE ?	REMARKS TYPICAL FOR THIS SOFTWARE	REPLACED BY IDENT	SERVICE CODE
LC4.2U	Hercules, Pixel plus	TV software		LC42UX1_1.05	3139 127 02061			LC42UX1_1.07	3139 127 02062
LC4.2U	Hercules, Pixel plus	TV software		LC42UX1_1.07	3139 127 02062				
LC4.2U	Hercules, Streamium	TV software		LC42US1_1.00	3139 127 03411				
LC4.2U	Hercules, Arch 3	TV software		LC42UA3_1.01	3139 127 03562				
LC4.2U	Hercules	TV software		LC42HU1_1.1011	3139 127 02561				
LC4.2U	Hercules	TV software		LC42HU1_1.1013	3139 127 02562			LC42HU1_1.1013	3139 127 02562
LC4.2AE/1/U	Scaler			S42GV1_1.00				S42GV1_1.04	
LC4.2AE/1/U	Scaler			S42GV1_1.04				S42GV1_1.06	
LC4.2AE/1/U	Scaler			S42GV1_1.06				S42GV1_1.08	
LC4.2AE/1/U	Scaler			S42GV1_1.08				S42GV1_1.09	
LC4.2AE/1/U	Scaler			S42GV1_1.09	3139 127 01342			S42GV1_1.11	3139 127 01342
LC4.2AE/1/U	Scaler			S42GV1_1.11	3139 127 01343			S42GV1_1.13	3139 127 01343
LC4.2AE/1/U	Scaler			S42GV1_1.13					
LC4.2AE/1/U	Scaler, Pixel Plus			S42GTP_1.00				S42GTP_1.06	3139 127 02061
LC4.2AE/1/U	Scaler, Pixel Plus			S42GTP_1.06	3139 127 02091			S42GTP_1.12	3139 127 02092
LC4.2AE/1/U	Scaler, Pixel Plus			S42GTP_1.12	3139 127 02092				
LC4.2AE/1/U	Scaler, DMR/Streamium			S42GTD_1.00				S42GTD_1.1.03	
LC4.2AE/1/U	Scaler, DMR/Streamium			S42GTD_1.1.03				S42GTD_1.1.04	
LC4.2AE/1/U	Scaler, DMR/Streamium			S42GTD_1.1.04	3139 127 02972			S42GTD_1.1.07	3139 127 02973
LC4.2AE/1/U	Scaler, DMR/Streamium			S42GTD_1.1.07	3139 127 02973				
LC4.2AE/1/U	Scaler			S42GSD_1.06	3139 127 03481				
LC4.2	EP/LD				3122 357 00601				3122 357 00602
LC4.2	EP/LD				3122 357 00602				
LC4.2	DDC VGA			DDC VGA 26 LC04	3139 127 01461				
LC4.2	DDC VGA			DDC VGA 28 LC04	3139 127 01461				
LC4.2	DDC VGA			DDC VGA 29 LC04	3139 127 01471				
LC4.2	DDC VGA			DDC VGA 30 LC04	3139 127 01471				
LC4.2	DDC VGA			DDC VGA 26 LC04PP	3139 127 01861				
LC4.2	DDC VGA			DDC VGA 23 LC04PP	3139 127 01831				
LC4.2	DDC VGA			DDC VGA 26 NA LC04PP	3139 127 01871				
LC4.2	DDC VGA			DDC VGA 23 NA LC04PP	3139 127 01981				
LC4.2	DDC VGA			DDC VGA 23 STREAMIUM	3139 127 02501				
LC4.2	DDC VGA			DDC VGA 17 LC04 DMR	3139 127 02521				
LC4.2	DDC VGA			DDC VGA 26 ARCH3 LC04	3139 127 03151				
LC4.2	DDC VGA			DDC VGA 28 ARCH3 LC04	3139 127 03281				
LC4.2	DDC VGA			DDC VGA 23HF9472	3139 127 03281				
LC4.2	DDC VGA			DDC VGA 26HF9442	3139 127 03301				
LC4.2	DDC VGA			DDC VGA 26FW5220	3139 127 03321				
LC4.2	DDC VGA			DDC VGA 26FW5220	3139 127 03341				
LC4.2	DDC VGA			DDC VGA 26HF9472	3139 127 03371				
LC4.2AE/1/U	DDC DVI			DDC DVI 17 LC04	3139 127 01481			DDC DVI 17 LC04	3139 127 01482
LC4.2AE/1/U	DDC DVI			DDC DVI 17 LC04	3139 127 01482				
LC4.2AE/1/U	DDC DVI			DDC DVI 23 LC04	3139 127 01471			DDC DVI 23 LC04	3139 127 01472
LC4.2AE/1/U	DDC DVI			DDC DVI 23 LC04	3139 127 01472				
LC4.2AE/1/U	DDC DVI			DDC DVI 28 LC04	3139 127 01952				
LC4.2AE/1/U	DDC DVI			DDC DVI 23 LC04PP	3139 127 01952			DDC DVI 23 LC04PP	3139 127 01952
LC4.2AE/1/U	DDC DVI			DDC DVI 26 LC04PP	3139 127 01912				
LC4.2AE/1/U	DDC DVI			DDC DVI 23 STREAMIUM	3139 127 02481				
LC4.2AE/1/U	DDC DVI			DDC DVI 26 ARCH3 LC04	3139 127 03142				
LC4.2AE/1/U	DDC DVI			DDC DVI 28HF9472IPS	3139 127 03631				
LC4.2AE/1/U	DDC DVI			DDC DVI 23HF9472IPS	3139 127 03641				
LC4.2AE/1/U	DDC DVI			DDC DVI 23HF9442IPS	3139 127 03651				
LC4.2	DDC HDMI			DDC HDMI 17 LC04	3139 127 01451			DDC HDMI 17 LC04	3139 127 01452
LC4.2	DDC HDMI			DDC HDMI 17 LC04	3139 127 01452				
LC4.2	DDC HDMI			DDC HDMI 23 LC04PP	3139 127 01442				
LC4.2	DDC HDMI			DDC HDMI 26 LC04PP	3139 127 01432				
LC4.2	DDC HDMI			DDC HDMI 23 STREAMIUM	3139 127 02651				
LC4.2	DDC HDMI			DDC HDMI 23FW5220	3139 127 02701				
LC4.2	DDC HDMI			DDC HDMI 26FW5220	3139 127 02691				
LC4.2AE	Hercules			LC4EVS1_1.09	3139 127 04064			LC4EAP1_1.09	3139 127 01392
LC4.2AE	Scaler			SR0ASD12-V1.06	3139 127 04015			S42GV1_1.04	
LC4.2AE	DDC VGA			DDC VGA 32 LC04SD12	3139 127 03981				
LC4.2AE	UP (Hercules)	TV software		HER LC04 EUR L U V2.00	3104 317 06961				
LC4.2AE	UP (Hercules)	TV software		HER LC04 EUR L C V2.04	3104 317 07221				
LC4.2AE	UP (Hercules)	TV software		HER LC04 EUR L C V2.05	3104 317 07371				
LC4.2AE	UP (Hercules)	TV software		HER LC04 EUR L C V2.06	3104 317 07831				
LC4.2AE	UP (Hercules)	TV software		LC4EV1_2.08	3104 317 07832				

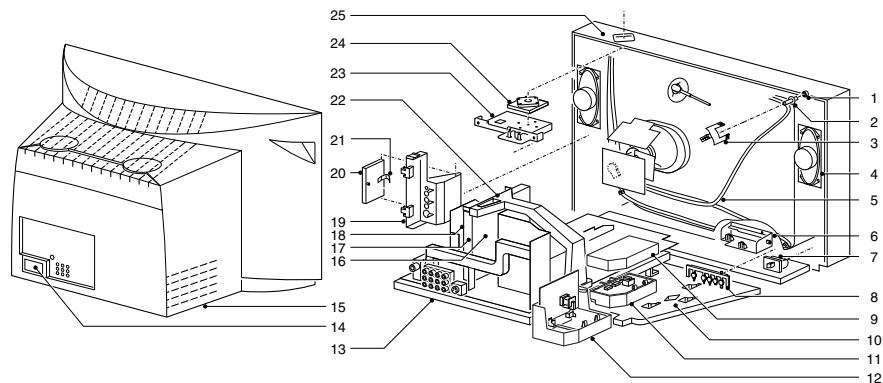
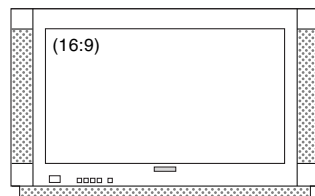
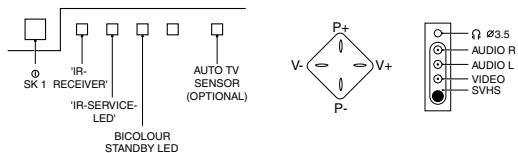
Software Survey

SOFTWARE SURVEY									
CHASSIS	FAMILY	PRODUCTION CODE	UP TYPE/VERSION	IDENT	SERVICE CODE	HOTEL MODE ?	REMARKS TYPICAL FOR THIS SOFTWARE	REPLACED BY IDENT	SERVICE CODE
LC4.6E	Scaler (Genesis)			GEN LC04 EUR L V2.00	3104.317.06691				
LC4.6E	Scaler (Genesis)			GEN LC04 EUR L V2.00	3104.317.07231				
LC4.6E	Scaler (Genesis)			GEN LC04 EUR L V2.07	3104.317.07141				
LC4.6E	Scaler (Genesis)			GEN LC04 EUR L V2.08	3104.317.07651				
LC4.6E	Scaler (Genesis)			SRCHSRX1 2.10	3104.317.07652				
LC4.6A	UP (Hercules)	TV software		LC46 HERC AC L NNN XXX	3104.317.08071			LC46 HERC AC L 1.07B_08	3104.317.08241
LC4.6A	UP (Hercules)	TV software		LC46 HERC AC L 1.07B_092	3104.317.08241				
LC4.6A	Scaler (Genesis)			LC46 GEN AC L 2.04_0811.1	3104.317.08111			GEN LC04 EUR L V2.02	3104.317.07211
LC4.6U	UP (Hercules)	TV software		LC46 HERC UC L 1.08_0806	3104.317.08061			LC46 HERC UC L 1.08_0811	3104.317.08181
LC4.6U	UP (Hercules)	TV software		LC46 HERC UC L 1.08_0818	3104.317.08181				
LC4.6U	Scaler (Genesis)			LC46 GEN UC L 2.02_08101	3104.317.08101			LC46 GEN UC L 2.04_0819	3104.317.08191
LC4.6U	Scaler (Genesis)			LC46 GEN UC L 2.04_0819.1	3104.317.08191				
LC4.6L	UP (Hercules)	TV software		LC46 HERC LC L 1.00_0869.1	3104.317.08691			LC46 HERC UC L 1.08_0811	3104.317.08181
LC4.6L	Scaler (Genesis)			LC46 GEN LC L 1.00_0871.1	3104.317.08711			LC46 GEN UC L 2.04_0819	3104.317.08191
LC4.6E	DDC (VGA)			EDID VGA 30LCD LC04SD	3104.317.06681		EDID VGA 30LCD LC04SD		
LC4.6AU/L	DDC (HDMI)			EDID HDMI 30LCD LC04SD	3104.317.07151				
LC4.7E	UP (Hercules)	TV software		HERC LC04 EUR P C V2.0E	3104.317.07891				
LC4.7E	Scaler (Genesis)			GEN LC04 EUR P V2.06	3104.317.07511				
LC4.7A	UP (Hercules)	TV software		LC46 HERC AC P 1.07B_082	3104.317.08231			LC46 HERC AC L 1.07B_08	3104.317.08241
LC4.7A	Scaler (Genesis)			LC46 GEN AC P NNN XXXX	3104.317.08131			GEN LC04 EUR L V2.02	3104.317.07211
LC4.7U	UP (Hercules)	TV software		LC46 HERC UC P 1.09_0820	3104.317.08202			LC46 HERC UC L 1.08_0811	3104.317.08181
LC4.7U	Scaler (Genesis)			LC46 GEN UC P 2.04_0821.1	3104.317.08211			LC46 GEN UC L 2.04_0819	3104.317.08191
LC4.7L	UP (Hercules)	TV software		LC46 HERC LC P 1.00_0870.1	3104.317.08701			LC46 HERC UC L 1.08_0811	3104.317.08181
LC4.7L	Scaler (Genesis)			LC46 GEN LC P 1.00_0872.1	3104.317.08721			LC46 GEN UC L 2.04_0819	3104.317.08191
LC4.7E	DDC (VGA)			EDID VGA 37 PDF LC04SD	3104.317.06681				
LC4.7AU/L	DDC (VGA)			EDID VGA 42 PDF LC04SD	3104.317.06701				
LC4.7AU/L	DDC (HDMI)			EDID HDMI 42 PDF LC04SD	3104.317.07171				

Model Number Survey

MODEL	STYLING	CHASSIS	RC	SYSTEM P...=PAL S...=SECAM N...=NTSC	Y	SOUND N...=NICAM F...=FM/AM	Speaker icon	SIZE wthxd (cm)	VOLTRANGE Speaker icon	TUNER Speaker icon	OPTION CODES 1 2 3	5	6	7	8
42PF9945/69	335		RC2030	P-BGDKI,S-BGDKLL		AV,S, BI NICAM BGD/2CS-BG BGD/2CS-BG	AutoMulti-Voltage	95-284AutoV							
42PF9946/72	505	LC4.7	RC4335001	P-BG,N-BGDKL, BI NICAM BGD/2CS-BG		F-BG,N-BGDKL, BI NICAM BGD/2CS-BG	112x66x9	112x66x9	UV1318S/A IH-3	See sticker in set					
42PF9946/79	505	LC4.7	RC4335001	P-BG,N-BGDKL, BI NICAM BGD/2CS-BG		F-Korea/BG/China/N-BGDKL, BI NICAM BGD/2CS-BG	112x66x9	112x66x9	TEDE9-201A	See sticker in set					
42PF9946/93	505	LC4.7	RC4335001	P-BG,N-BGDKL, BI NICAM BGD/2CS-BG		F-Korea/BG/China/N-BGDKL, BI NICAM BGD/2CS-BG	112x66x9	112x66x9	TEDE9-201A	See sticker in set					
42PF9956/12	496	FTT2.2E	RC430201	P-BGDKI,S-BGDKLL		AV,S,F,BG,N-BGDKI	100-250V	111x88x10	UV1318S/A IH-3	See sticker in set					
42PF9956/93	496	FTT2.2A	RC430201	P-BGDKI,S-BGDKLL		AV,S,F,BG,N-BGDKI	100-250V	111x88x10	TEDE9-201A	See sticker in set					
42PF9966/12	496	FTT2.2E	RC430201	P-BGDKI,S-BGDKLL		AV,S,F,BG,N-BGDKI	220-240V	111x88x10	UV1318S/A IH-3	See sticker in set					
42PF9966/63	496	FTT2.2A	RC430201	P-BGDKI,S-BGDKLL		AV,S,F,BG,N-BGDKI	220-240V	111x88x10	TEDE9-201A	See sticker in set					
42PF9966/98	496	FTT2.2A	RC430201	P-BGDKI,S-BGDKLL		AV,S,F,BG,N-BGDKI	100-250V	111x88x10	TEDE9-201A	See sticker in set					
42PF9976/37	496	FTL2.2U	RC430201	P-BGDKI,S-BGDKLL		AV,S,F,FM/AM (5-5.5,7.4) (B,G), N-BGDKI	100-250V	111x88x10	TEDE9-201A	See sticker in set					
42PF9986/12	499	FTL2.1E	RC430701B	P-BGDKI,S-BGDKLL		AV,S, F, FM/AM (5-5.5,7.4) (B,G), N-BGDKI	100-250V	140-276V	TEDE9-201A	See sticker in set					
42PF9986/63	496	FTL2.1A	RC430201	P-BGDKI,S-BGDKLL		AV,S, F, FM/AM (5-5.5,7.4) (B,G), N-BGDKI	100-250V	140-276V	TEDE9-201A	See sticker in set					
43PP8421/57	400	DPTV325	SBHV00030A	P-BGDKI,S-BGDKK1		BI NICAM BGD/2CS-BG, F-Korea/BG/China, N-BGDKI	90-276 AutoV	38x45x21	TEDE9-031A	See sticker in set					
43PP8421/69	400	DPTV325	SBHV00030A	P-BGDKI,S-BGDKK1		F-Korea/BG/China/N-BGDKI, BI NICAM BGD/2CS-BG	90-276 AutoV	38x45x21	TEDE9-031A	See sticker in set					
43PP8441/79	400	DPTV325	RC382D	P-BGDKI,S-BGDKK1		F-Korea/BG/China/N-BGDKI, BI NICAM BGD/2CS-BG	90-276 AutoV	160-276V	TEDE9-201A	See sticker in set					
43PP8442/93	447	DPTV325	SBHV00030A	P-BGDKI,S-BGDKK1		F-Korea/BG/China/N-BGDKI, BI NICAM BGD/2CS-BG	160-276V	160-276V	TEDE9-201A	See sticker in set					
43PP8443/93	447	DPTV325	SBHV00030A	P-BGDKI,S-BGDKK1		F-Korea/BG/China/N-BGDKI, BI NICAM BGD/2CS-BG	160-276V	160-276V	TEDE9-201A	See sticker in set					
43PP8445/93	540	DPTV465	SBHV00030A	P-BGDKI,S-BGDKK1		F-Korea/BG/China/N-BGDKI, BI NICAM BGD/2CS-BG	98x115x53	160-276V	UV1356E/A	58 190 7 198		147	128	0	0
43PP8446/93	540	DPTV465	SBHV00030A	P-BGDKI,S-BGDKK1		F-Korea/BG/China/N-BGDKI, BI NICAM BGD/2CS-BG	98x115x53	160-276V	UV1356E/A	58 190 7 198		147	128	0	0
43PP8447/93	540	DPTV465	SBHV00030A	P-BGDKI,S-BGDKK1		F-Korea/BG/China/N-BGDKI, BI NICAM BGD/2CS-BG	98x115x53	160-276V	UV1356E/A	58 190 7 198		147	128	0	0
43PP8545/69	400	DPTV325	SBHV00030A	P-BGDKI,S-BGDKK1		BI NICAM BGD/2CS-BG, F-Korea/BG/China, N-BGDKI	90-276 AutoV	38x45x21	TEDE9-201A	See sticker in set					
46PP821/61	400	DPTV325	SBHV00030A	P-BGDKI,S-BGDKK1		F-Korea/BG/China/N-BGDKI, BI NICAM BGD/2CS-BG	90-276 AutoV	160-276V	TEDE9-201A	See sticker in set					
46PP8741/93	447	DPTV325	SBHV00030A	P-BGDKI,S-BGDKK1		F-Korea/BG/China/N-BGDKI, BI NICAM BGD/2CS-BG	160-276V	160-276V	TEDE9-201A	See sticker in set					
46PP8745/93	541	DPTV465	RC2049001B	P-BGDKI,S-BGDKK1		F-Korea/BG/China/N-BGDKI, BI NICAM BGD/2CS-BG	113x134x60	160-276V	UV1356E/A	58 190 7 198		187	128	0	0
46PP8527/61	447	DPTV325	RC2049001B	P-BGDKI,S-BGDKK1		F-Korea/BG/China/N-BGDKI, BI NICAM BGD/2CS-BG	90-276 AutoV	160-276V	TEDE9-201A	See sticker in set					
46PP8527/79	447	DPTV325	RC2049001B	P-BGDKI,S-BGDKK1		F-Korea/BG/China/N-BGDKI, BI NICAM BGD/2CS-BG	90-276 AutoV	160-276V	TEDE9-201A	See sticker in set					
46PP8527/93	447	DPTV325	RC2049001B	P-BGDKI,S-BGDKK1		F-Korea/BG/China/N-BGDKI, BI NICAM BGD/2CS-BG	90-276 AutoV	160-276V	TEDE9-201A	See sticker in set					
46PP8541/63	447	DPTV325	RC2049001B	P-BGDKI,S-BGDKK1		F-Korea/BG/China/N-BGDKI, BI NICAM BGD/2CS-BG	160-276V	160-276V	TEDE9-031A	See sticker in set					
46PP8545/69	541	DPTV475	RC2049001B	P-BGDKI,S-BGDKK1		BI NICAM BGD/2CS-BG, F-Korea/BG/China, N-BGDKI	90-276 AutoV	45x53x24	TEDE9-031A	See sticker in set					
46PP8545/93	541	FTT2.2U	RC2049001B	P-BGDKI,S-BGDKK1		BI NICAM BGD/2CS-BG, F-Korea/BG/China, N-BGDKI	90-276 AutoV	160-276V	TEDE9-031A	See sticker in set					
50PF9666/97	486	FTT2.2E	RC430201	P-BGDKI,S-BGDKLL		AV,S,F,BG,N-BGDKI	110-220	138x88x10	UV1338A, TS, H-4	58 190 7 198		187	128	0	0
50PF9666/98	486	FTT2.2A	RC430201	P-BGDKI,S-BGDKLL		AV,S,F,BG,N-BGDKI	100-250V	100-250V	UV1318S/A IH-3	See sticker in set					
50PF9666/78	486	FTT2.2L	RC430701B	P-BGDKI,S-BGDKLL		AV,S,F,BG,N-BGDKI	100-250V	100-250V	TEDE9-705A	See sticker in set					
50PF9666/93	486	FTT2.2L	RC430701B	P-BGDKI,S-BGDKLL		AV,S,F,BG,N-BGDKI	100-250V	100-250V	TEDE9-705A	See sticker in set					
50PF8421/69	401	DPTV325	SBHV00030A	P-BGDKI,S-BGDKK1		F-Korea/BG/China/N-BGDKI, BI NICAM BGD/2CS-BG	90-276 AutoV	160-276V	TEDE9-031A	See sticker in set					
50PF8421/93	401	DPTV325	SBHV00030A	P-BGDKI,S-BGDKK1		F-Korea/BG/China/N-BGDKI, BI NICAM BGD/2CS-BG	160-276V	160-276V	TEDE9-031A	See sticker in set					
50PF8541/93	447	DPTV465	SBHV00030A	P-BGDKI,S-BGDKK1		BI NICAM BGD/2CS-BG, F-Korea/BG/China, N-BGDKI	90-276 AutoV	45x53x24	TEDE9-031A	See sticker in set					
50PF8545/69	541	DPTV465	SBHV00030A	P-BGDKI,S-BGDKK1		BI NICAM BGD/2CS-BG, F-Korea/BG/China, N-BGDKI	113x146x62	160-276V	UV1356E/A	58 190 7 198		187	128	0	0
55PL9874/72	506	EMBE	RC430701	P-BGDKI,S-BGDKK1		AV,S,F,BG,N-BGDKI	220-240V	53x57x26	UV1316(A) X U-3	See sticker in set					
55PP8621/61	401	DPTV325	SBHV00030A	P-BGDKI,S-BGDKLL		AV,S,F,BG,N-BGDKI	90-276 AutoV	53x57x26	TEDE9-202A	See sticker in set					

STYLING 305

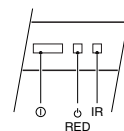


STYLING 305.eps
040804

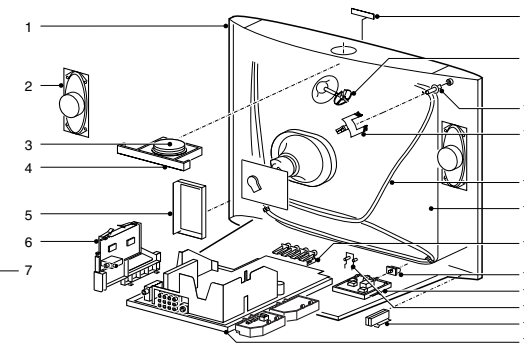
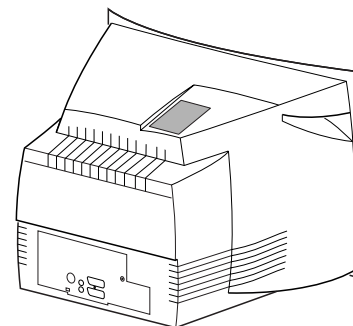
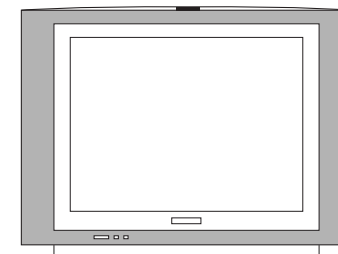
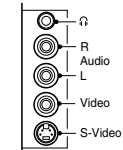
1bdgh*	3104 308 74023	CRT insert 32"	25a*	3104 328 14813	Cabinet assy
2acef*	4822 505 11195	CRT screw	25b*	3104 328 14804	Cabinet assy
2bdgh*	4822 502 21359	CRT screw	25ce*	3104 328 15001	Cabinet assy
3acef*	4822 403 70906	Bracket fix deg. coil (4x)	25d*	3104 328 14991	Cabinet assy
3bdgh*	4822 404 31289	Bracket fix deg. coil (4x)	25f*	3104 328 20102	Cabinet assy
4	2422 264 00386	Loudspeaker	25gh*	3104 328 20132	Cabinet assy
5acef*	2422 549 44621	Degaussing coil	a*	3104 300 12201	Word mark
5bdgh*	2422 549 44244	Degaussing coil	b*	3104 300 12191	Word mark
6	3104 304 21853	Bracket mains unit	cef*	4822 454 13455	Word mark
7ab*	3104 307 98171	Mains knob	dgh*	4822 454 13399	Word mark
7cd*	3104 307 97721	Mains knob	9301 852 40306	Picture tube W66ERF041X044	
7efgh*	3104 307 96232	Mains knob	9301 899 90306	Picture tube W66ERF042X044	
8	3104 304 21871	Light guide	bd*	9301 852 00314	Picture tube W76ERF041X044
9abefgh*	3104 304 22762	Cover for Mains Harmonic panel	bdgh*	9301 880 70314	Picture tube W76ERF042X044
10	3104 304 22012	Bottom plate	ab*	4822 157 11825	Rotation coil
11abefgh*	3104 304 22751	Bracket for Mains Harmonic panel	cd*	3128 138 60651	Rotation coil
		Bracket for DAF/DC-shift panel	efgh*	3128 138 60661	Rotation coil
12abefgh*	3104 304 21652	Bracket for DAF/DC-shift panel		4822 321 11493	Mains cord (/05)
12cd*	3104 304 23041	Bracket for LSP		4822 321 11499	Mains cord (/12, /19, /58)
13abefgh*	3104 304 21293	Service connector cover		2422 070 98132	Mains cord (/79)
13cd*	3104 304 23001	Service connector cover		4822 402 11183	Mains cord holder
14b*	3104 304 22301	Rear cover assy		3104 207 09532	Remote RC 2592/01B
14acdfehgh*	3104 304 22312	Rear cover assy		3104 300 20181	Adapter EURO to Cinch/SVHS (/79)
15ae*	3104 307 96331	Rear cover assy			Adapter EURO to 3 x Cinch for (/79)
15b*	3104 307 96342	Rear cover assy	*a	28PW8707/xx	
15c*	3104 307 97381	Rear cover assy	*b	32PW8707/xx	
15d*	3104 307 97391	Rear cover assy	*c	28PW8807/xx	
15f*	3104 308 10221	Rear cover assy	*d	32PW8807/xx	
15gh*	3104 307 96254	Rear cover assy	*e	28PW8817/xx	
16	3104 301 23963	SSB shielding (bottom cover)	*f	28PW8717/xx	
17abefgh*	3104 301 23942	SSB shielding (frame)	*g	32PW8717/xx	
17cd*	3104 301 24121	SSB shielding (frame)	*h	32PW8757/xx	
18	3104 301 23952	SSB shielding (top cover)		28PW8818/xx	
19abdfehgh*	3104 304 24041	Bracket for Side I/O panel		32PW8818/xx	
19ce*	3104 304 21932	Bracket for Side I/O panel		32PW8858/xx	
20	3104 304 21911	Door Side I/O			
21	3104 301 23972	Metal spring for door			
21	3104 308 70381	Locking unit for door			
22abefgh*	3104 304 25291	Bracket for LOT/SSB			
22cd*	3104 304 23011	Bracket for LOT/SSB			
23	3104 304 19794	Top Control bracket			
24	3104 304 20921	Top Control keypad			

STYLING 312

FRONT + TOP CONTROL



SIDE I/O

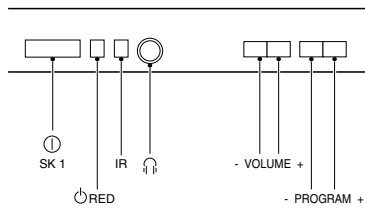


STYLING 312.eps
050804

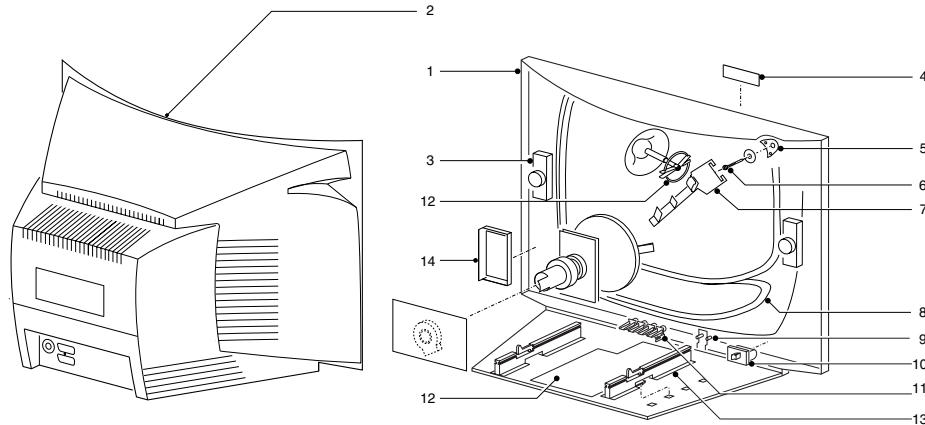
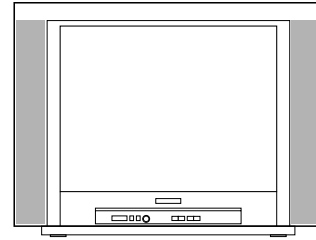
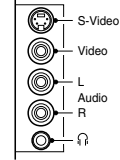
1	3111 257 56891	Cabinet 29"	16d*	Not applicable	
1d*	3141 047 69581	Cabinet 29"	17	3139 124 33811	Light guide
2	3139 128 76301	Loudspeaker 8Ω 5W	17d*	3139 124 47501	Light guide
2d*	2422 264 00479	Loudspeaker 16Ω 5W	18	4822 404 31291	Mains cord relief
3	3139 137 66921	Top control button	19	3139 124 33541	Chassis tray
3d*	Not applicable		19d*	Not applicable	
4	3139 124 30381	Top control bracket		4822 532 13136	Insulator ring (VO)
4d*	Not applicable				
5	3139 124 37662	Side AV bracket		4822 321 11499	Mains cord EU
5d*	3139 124 49861	Side AV bracket (2P+HP)		2422 070 98236	Mains cord (UK)
			a*	9322 162 09682	Picture tube 29"
7	3111 257 56641	Rear cover			A68QCP891X604
7d*	3141 057 80981	Rear cover (4AV)			Picture tube 29"
8	4822 454 13455	Word mark Philips			A68QCP891X628
8d*	3139 120 01601	Word mark			Picture tube 29"
9	3111 254 23481	EHT & degaussing coil clamp	c*	9301 915 20347	Picture tube 29"
					A68ERF012X013
9c*	4822 404 31341	EHT & degaussing coil clamp	*a	29PT5506/01, /01E, /58	
9d*	4822 532 61201	EHT spacer	*b	29PT5507/01, /58	
10	4822 505 11195	CRT fixing screw	*c	29PT5507/21	
10d*	Not applicable		*d	21PT2324/56R	
11	3139 124 31122	Corner coil bracket			
11c*	3104 304 14411	Corner coil bracket			
11d*	Not applicable				
12	2422 549 44579	Degaussing coil 29"			
12c*	3104 308 20381	Degaussing coil 29"			
12d*	2422 549 44579	Degaussing coil 21" (multi voltage)			
15	3139 124 33801	Mains knob			
15d*	3141 057 69591	Mains knob			
16	3139 124 32522	Front interface bracket			

STYLING 326

FRONT + TOP CONTROL



SIDE I/O

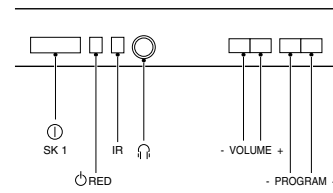


STYLING 326.eps
040804

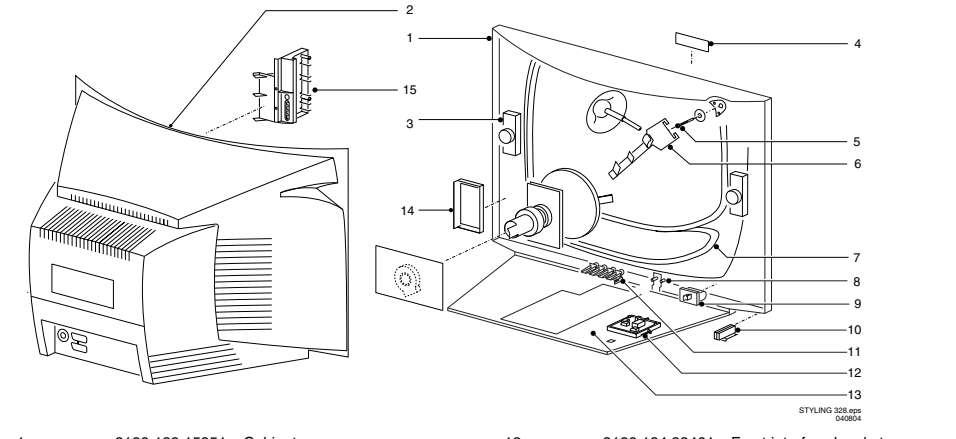
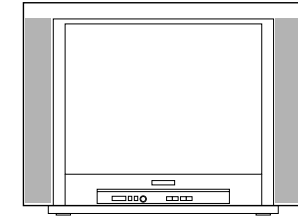
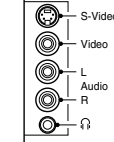
1	3139 124 34961	Cabinet	10b*	3139 177 65691	Mains knob
1a*	3139 138 15311	Cabinet DVDT	11	3139 124 36311	Control knob
1b*	3139 137 79441	Cabinet ITV	11aef*	3141 057 64601	Control knob
1cefp*	3141 057 65211	Cabinet	11b*	3139 177 65681	Control knob
1d*	3139 177 60691	Cabinet	12	4822 532 61201	EHT spacer
1k*	3139 124 34962	Cabinet	13	4822 463 11226	Chassis guide (VO)
1o*	3141 047 66591	Cabinet	14	3139 124 39541	Side AV bracket (HP+3AV)
2	3139 124 41081	Rear cover (12AV) AP	14fghjo*	3141 054 22541	Side AV bracket (HP)
2b*	3139 124 37391	Rear cover (UIR) ITV	bhn*	9322 163 87682	Picture tube
2c*	3141 054 22421	Rear cover	op*	9301 935 20522	Picture tube
2d*	3139 124 35181	Rear cover			
3a*	2422 264 00411	Loudspeaker 16Ω 5W	*a	25PT2252	
3bp*	2422 264 00444	Loudspeaker 8Ω 10W	*b	25HT2212	
3fghjo*	2422 264 00409	Loudspeaker 8Ω 5W	*c	25PT4323	
4abcdef*	3141 050 00161	Word mark	*d	24PT6331	
4ghjkmnop	3141 050 00291	Word mark	*e	25PT5307/60	
5	Not applicable		*f	25PT5207/60	
6	4822 505 11195	CRT fixing screw	*g	25PT3323/67R	
7abcdef*	4822 404 31434	Coil clamp	*h	25PT3323/69S	
7ghjkmn*	3141 054 22351	Corner coil bracket	*j	25PT3323/71R	
8	3106 107 30341	Degaussing coil (Latam only)	*k	25PT4323/56S	
8	3139 128 76341	Degaussing coil (Nafta only)	*m	25PT4323/67R	
8	4822 157 11537	Degaussing coil (multi voltage)	*n	25PT4323/69S	
8abc*	3139 128 23361	Degaussing coil (/79R only)	*o	25PT5207/60S	
8op*	3139 128 23371	Degaussing coil 25" (multi voltage)	*p	25PT5307/60S	
9	3139 124 32221	Light guide			
10	3139 124 36331	Mains knob			
10aefop*	3141 057 64591	Mains knob			

STYLING 328

FRONT + TOP CONTROL



SIDE I/O

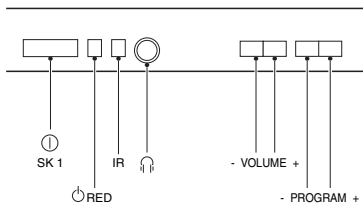


STYLING 328.eps
040804

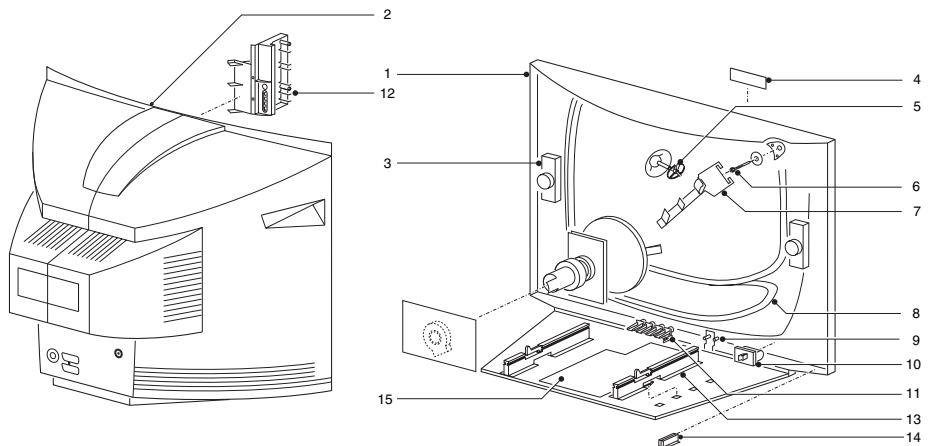
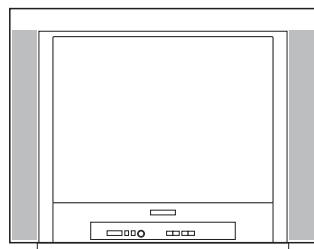
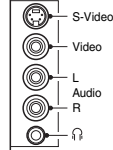
1	3139 138 15851	Cabinet	12	3139 124 33461	Front interface bracket
1a*	3139 138 12071	Cabinet ITV	12fknoprstu*	Not applicable	
1bqq*	3141 057 64861	Cabinet	13ft*	4822 463 11225	Chassis guide (HB)
1fp*	3139 177 58641	Cabinet	13f*	4822 463 11226	Chassis guide (VO)
1hjm*	3139 124 33452	Cabinet	13ghjmq*	3139 124 33531	Chassis tray
1kno*	3139 124 44751	Cabinet	13kno*	Not applicable	
1rst*	3141 047 80681	Cabinet	13prs*	3139 124 25884	Chassis guide(HB)
1u*	3141 047 79441	Cabinet	13prs*	3139 124 25893	Chassis guide (VO)
2a*	3139 124 35871	Rear cover (9AV+NFM)	13t*	4822 463 11226	Chassis guide (VO)
2bghjmq*	3139 124 37231	Rear cover (12AV+SVHS)	14	3139 124 33611	Side AV bracket
2cdefkno*	3139 124 44741	Rear cover (12AV+SVHS)	14fp*	Not applicable	
2p*	3141 047 58691	Rear cover	14kno*	3139 124 37061	Side Av bracket (HP+3P)
2q*	3141 047 65241	Rear cover	14p*	3141 054 22951	Side AV bracket
2rst*	3139 177 81181	Rear cover	14rst*	3139 124 40131	Side AV bracket
2u*	3141 047 90361	Rear cover	14u*	3139 124 39541	Side AV bracket
3	2422 264 00409	Loudspeaker 8Ω 5W	15	Not applicable	
3a*	2422 264 00442	Loudspeaker 8Ω 5W	ade*	9322 196 07682	Picture tube A68QDL282X062
3rs*	2422 264 00485	Loudspeaker 8Ω 15W	hjn*	9322 196 06682	Picture tube A68QDL281X062
4t*	3141 050 00291	Word mark	r*	9301 962 60542	Picture tube
4hijkmno*	3141 050 00161	Word mark			A68QCU770X73(Q)
5u*	4822 505 11195	CRT fixing screw	s*	9301 962 50542	Picture tube A68QCU770X73(S)
5fknoprst*	4822 502 14602	CRT fixing screw	t*	9322 173 75682	Picture tube A68QCP893X001
6abcde*	3139 124 31122	Degaussing coil bracket		9301 946 60542	Picture tube A68QCU770X73(N)
6f*	Not applicable		u*	9322 163 87682	Picture tube
6hijkmnopqrs*	3141 054 22351	Corner coil bracket			A59QDF891X001(L)
7	3139 128 23781	Degaussing coil 29" (full range)			
7bc*	4822 157 11551	Degaussing coil	*a	29HT2211/69Z	
7t*	3139 128 23381	Degaussing coil	*b	29PT3223/79R	
7u*	4822 157 11536	Degaussing coil	*c	29PT3323/79R	
8	3139 124 30411	Light guide	*d	29PT3323/69R	
8fknop*	3139 124 44761	Light guide	*e	29PT3323/71R	
8rs*	3139 177 80641	Light guide	*f	29PT5107/60	
9abhjm*	3139 124 36331	Mains knob	*g	29PT5207/60	
9bqq*	3141 057 64591	Mains knob	*h	29PT3223/56R	
9cdefp*	3139 177 58731	Mains knob	*j	29PT3223/67R	
9kno*	3139 124 44781	Mains knob	*k	29PT3223/69S	
9rst*	3139 177 80651	Mains knob	*m	29PT3223/71R	
9u*	3139 137 83951	Mains knob	*n	29PT3323/67R	
10	4822 404 31363	Mains cord relief	*o	29PT3323/69S	
10fknoprstu*	Not applicable		*p	29PT5107/60S	
11abhjm*	3139 124 36311	Control knob	*q	29PT5207/60S	
11bqq*	3141 057 64601	Control knob	*r	29PT3324/69R	
11cde*	3139 177 58741	Control knob	*s	29PT3324/79R	
11f*	3139 177 60081	Control knob	*t	29PT3324/93R	
11knoprst*	Not applicable		*u	25HT2212/93R	
11u*	3139 137 84471	Control knob			

STYLING 329

FRONT + TOP CONTROL



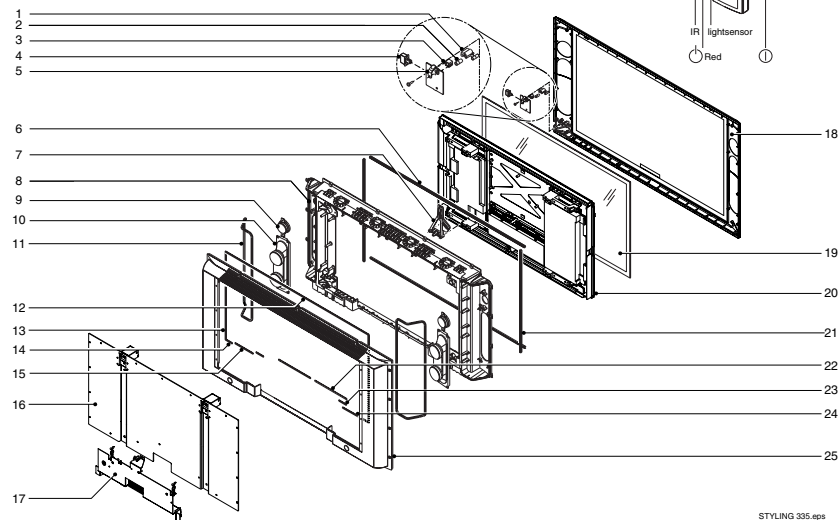
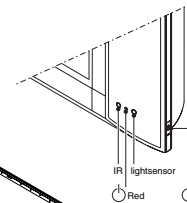
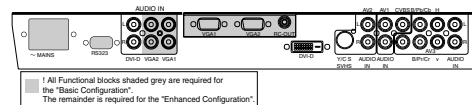
SIDE I/O



STYLING 329.eps
291004

1	3139 137 78821	Cabinet 29"	13*	3139 124 33531	Chassis guide (L9)
1*	3138 138 12071	Cabinet 29"		3139 128 75211	Mains cord
2	3139 124 35131	Rear cover 29"		3139 128 75230	Mains cord (.../79R)
3	2422 264 00404	Loudspeaker 8Ω 6W			
3*	2422 264 00442	Loudspeaker 8Ω 5W		3139 124 23051	Mains cord
				4822 131 20628	Picture tube 29" A68AJB82X01
				9301 905 00523	Picture tube A68QCU757X73(N)
4	3139 120 01361	Word mark (grey)	a*	29PT2152	
4*	3141 050 00161	Word mark 29"	b*	29PT2152/71R	
5	4822 532 61201	EHT Spacer	c*	29HT2212/93R	
6	4822 505 11195	CRT fixing screw			
7	4822 492 71627	Degaussing coil bracket			
7*	3139 124 31121	Degaussing coil bracket			
8	4822 157 11549	Degaussing coil 29" Multi-volt			
8	4822 157 11551	Degaussing coil 29" Single-volt (.../79R)			
8	4822 157 11549	Degaussing coil 29" multi volt (.../71R)			
8*	3139 128 23381	Degaussing coil 29"			
9	4822 380 10251	Light guide			
9*	3139 124 30411	Light guide			
10a*	4822 410 11766	Mains knob			
10b*	3139 137 80321	Mains knob			
10c*	3139 137 83951	Mains knob			
11a*	4822 410 11765	Control knob			
11b*	3139 137 80311	Control knob			
11c*	3139137 84470	Control knob			
12a*c*	4822 404 31363	Mains cord relief			
12b*	3122 224 04623	Mains cord relief			
13	4822 463 11225	Chassis guide (HB)			
13	4822 463 11226	Chassis guide (VO)			

STYLING 335

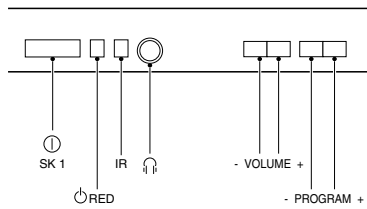


STYLING 335.eps
011031

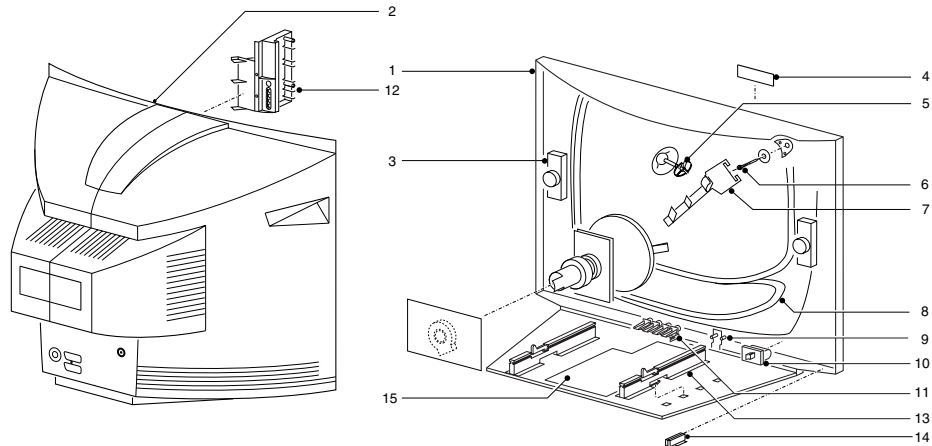
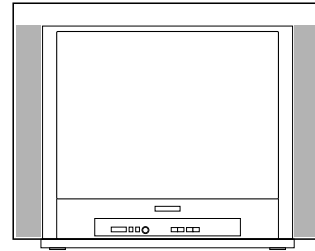
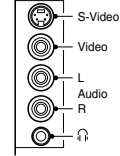
1ab*	3122 124 36071	Lens	21cdef*	3122 358 76473	EMC shielding foam short
1cd*	3122 124 36211	Lens	22ab*	3122 358 76191	EMC shielding foam bottom 3
1ef*	3122 124 36261	Lens	22cdef*	3122 358 76401	EMC shielding foam bottom 3
2	3122 124 36271	Light guide	23ab*	3122 358 76181	EMC shielding foam bottom 2
3abcd*	3122 124 36081	Day light filter	23cdef*	3122 358 76391	EMC shielding foam bottom 2
4abcd*	3122 128 13901	On/off knob	24ab*	3122 358 76171	EMC shielding foam bottom 1
4ef*	3122 128 14292	On/off knob	24cdef*	3122 358 76381	EMC shielding foam bottom 1
5abcd*	3122 121 67251	Led switch spring	25ab*	3122 128 13871	Back display assy
6ab*	3122 358 76201	EMC shielding foam long	25cd*	3122 128 14221	Back display assy
6cd*	3122 358 76463	EMC shielding foam long	25ef*	3122 128 14261	Back display assy
7	3122 124 36172	Cable track	cdef*	3122 358 76431	EMC shielding foam bottom 6
8ab*	3122 128 13911	Shielding frame	cdef*	3122 128 14461	PDP bracket Large
8cd*	3122 128 14231	Shielding frame	cdef*	3122 128 14441	PDP bracket left
8ef*	3122 128 14271	Shielding frame	cdef*	3122 128 14451	PDP bracket right
9abcd*	2422 264 00432	Tweeter		4622 007 51971	Mains cord EU
10abcd*	2422 264 00433	Loudspeaker twin		2422 070 98107	Mains cord UK
11abcd*	3122 358 76221	Loudspeaker foam		2422 070 98105	Mains cord China
12ab*	3122 358 76151	EMC shielding foam top		2422 070 98106	Mains cord Aus/NZ
12cdef*	3122 358 76451	EMC shielding foam top		3122 358 75802	Mains cord US
13ab*	3122 357 76161	EMC shielding foam L+R		3122 358 76342	Mains inlet
13cdef*	3122 358 76441	EMC shielding foam L+R	abcd*	3122 358 76591	Thin VGA cable 2m with audio
14ab*	3122 358 76251	EMC shielding foam bottom L1	ef*	3122 358 76581	Thin VGA cable 2m without audio
14cdef*	3122 358 76411	EMC shielding foam bottom 4			Thin VGA cable 5m
15ab*	3122 358 76261	EMC shielding foam bottom L2		3122 357 76611	RC19335009/01
15cdef*	3122 358 76421	EMC shielding foam bottom 5		3139 228 89251	Mounting kit
16ab*	3122 128 13951	Metal back plate		3122 128 13921	Mounting kit -/17S
16cdef*	3122 128 14322	Metal back plate		3122 128 14301	Coloured frame Champagne
17ac*	3122 128 13681	Connector plate	ab*	9097 210 04055	Coloured frame Blue
17bd*	3122 128 13695	Connector plate	ab*	9097 210 04056	Coloured frame Green
17ef*	3122 128 14392	Connector plate	ab*	9097 210 04057	Coloured frame Rouge
18a*	3122 357 21201	Front assy -/01S, -/x2Z, -/x2S	ab*	9097 210 04058	Coloured frame Unpainted
18ab*	3122 357 21361	Front assy -/69S	cd*	9097 210 04202	Coloured frame Champagne
18b*	3122 357 21391	Front assy -/17S	cd*	9097 210 04203	Coloured frame Blue
18c*	3122 357 21421	Front assy -/01S, -/x2Z, -/x2S	cd*	9097 210 04204	Coloured frame Green
18cd*	3122 357 21512	Front assy	cd*	9097 210 04205	Coloured frame Rouge
18e*	3122 357 21582	Front assy	cd*	9097 210 04206	Coloured frame Unpainted
18f*	3122 357 21681	Front assy			
18g*	3104 308 12291	Front assy	*a	32FD9944, 32HF9964, 32PF9965	
18h*	3104 328 33041	Front assy	*b	32FD9954	
19ab*	3122 124 90781	Glass plate	*c	42FD9944, 42HF9964, 42PF9964, 42PF9955	
19cdef*	3122 124 90811	Glass plate	*c	42PF9965, 42PF9955	
20ab*	9322 178 04682	Display FPF32C106128UA-52	*d	42FD9954	
20ab*	9322 190 61682	Display FPF32C106128UA-62	*e	42FD9934, 42FD9945	
20ab*	9322 194 11682	Display FPF32C106128UA-72	*f	420P30/00	
20cdef*	9322 185 78682	Display FPF42C128128UB-54	*g	BDH4211/00	
20cdef*	9322 194 10682	Display FPF42C128128UB-72	*h	BDH4221/00	
21ab*	3122 358 76211	EMC shielding foam short			

STYLING 340

FRONT + TOP CONTROL



SIDE I/O

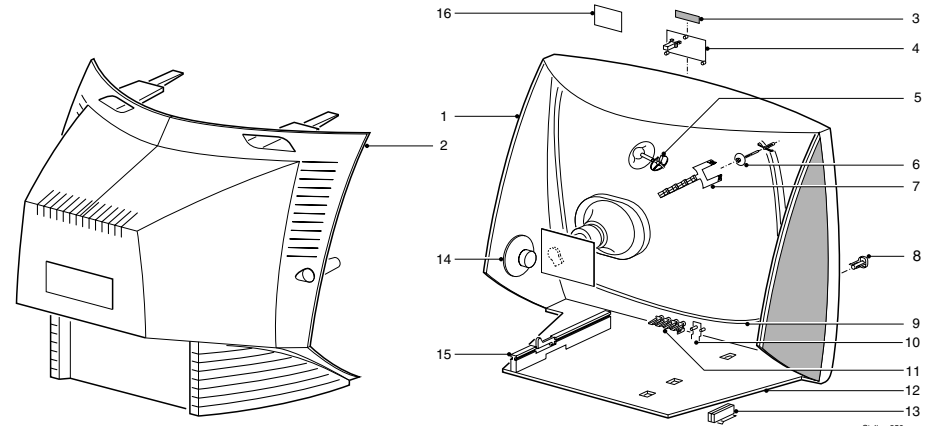
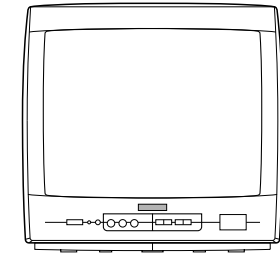
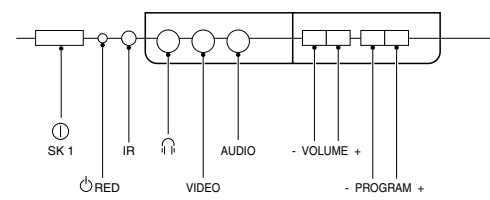


STYLING 340.eps
940804

1	3139 137 79991	Cabinet 21"
1def*	3139 107 60021	Cabinet 21"
1g*	3141 054 23301	Cabinet 21"
2	3139 124 34391	Back cover 21"
2b*	3141 054 23341	Back cover 21"
3	2422 264 00411	Loudspeaker 16Ω 5W
4	3111 250 00841	Word mark (red silver)
4def*	3111 250 01031	Word mark (metal pearl)
4g*	3122 220 00203	Word mark
5	3111 254 23481	Coil & EHT clamp
6	3139 120 41391	CRT fixing screw
7	4822 404 30945	Degaussing coil bracket
7g*	3111 104 44664	Degaussing coil bracket
8	2422 549 45514	Degaussing coil
9	3139 124 34402	Light guide
10	3141 057 80961	Mains knob
11	3141 057 80951	Control knob
12abcdef*	3139 124 37661	Side AV bracket (3P+HP)
13	3139 124 36232	Chassis guide
14	4822 404 31291	Mains cord relief
15	3139 124 33291	VO plate
	4822 321 11499	Mains cord EU
	4822 321 11493	Mains cord UK
d*	2422 070 98094	Mains cord UK
ef*	3139 178 87361	Mains cord
	4822 131 11105	Picture tube A51EAL155X47
dg*	9301 952 80342	Picture tube A51EAL135X42
bc*	3139 128 76381	FM aerial
bd*	3111 257 71451	Stand (silver)

*a	21PT4457/01, 21PT4438/01
*b	21PT4457/05
*c	21PT4457/58
*d	21PT4458/05
*e	21PT4458/01
*f	21PT4458/58
*g	21PT1867/58

STYLING 350

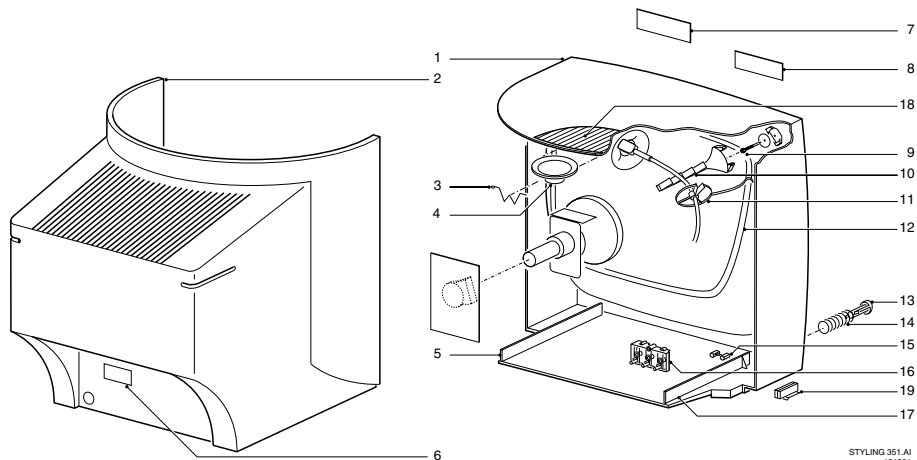
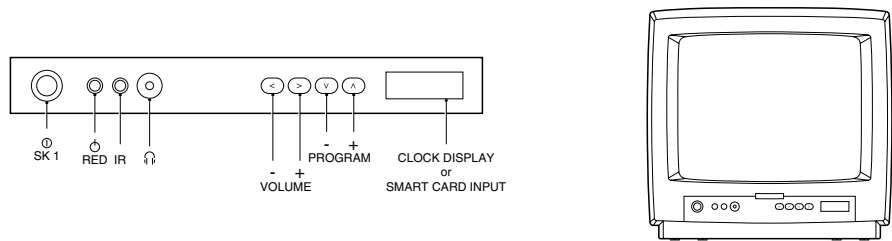


Styling 350.eps
181201

1	3111 257 57241	Cabinet
1c*	3111 257 57261	Cabinet
2	3139 137 92751	Rear cover
2c*	3111 254 25021	Rear cover
3	Not applicable	
4	Not applicable	
5	4822 401 11765	Coil & EHT clamp
5c*	3111 254 23481	Coil & EHT clamp
6ab*	4822 502 14508	CRT fixing screw
7	4822 404 31325	Degaussing coil bracket
7c*	2422 549 45835	Degaussing coil bracket
8	3139 137 79221	Mains knob
9	2422 549 44844	Degaussing coil 14"
9c*	2422 549 45304	Degaussing coil 14"
10	3111 254 25221	Light guide
11	3139 137 79231	Control knob
12	3139 124 34111	Bottom plate (VO)
13	4822 404 31291	Mains cord relief
14	2422 264 00412	Loudspeaker 8Ω 10W
15	3139 124 34091	Chassis guide (VO)
16ac*	3111 254 24951	Clock lens
16b*	3119 107 17501	Clock lens

4822 321 11499	Mains cord EU
4822 321 11493	Mains cord UK
4822 321 11139	Mains cord
9301 861 90301	CRT A34EAC01X113
*a	14HT3154
*b	14HT3304
*c	14HT3154N/01

STYLING 351

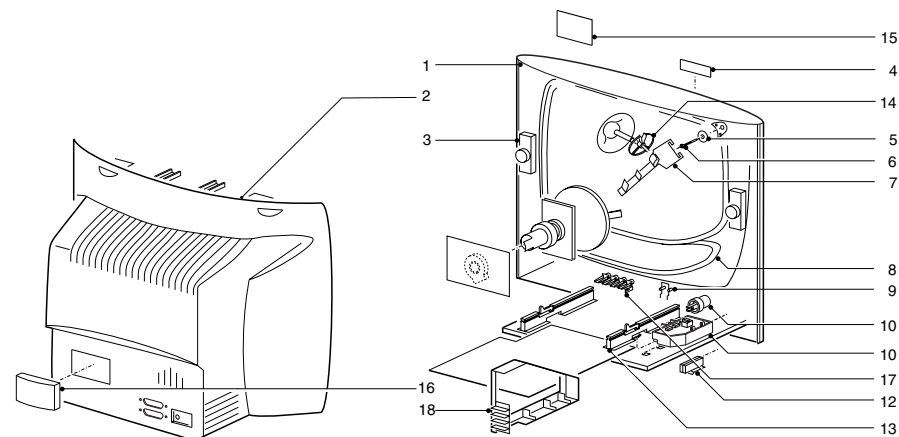
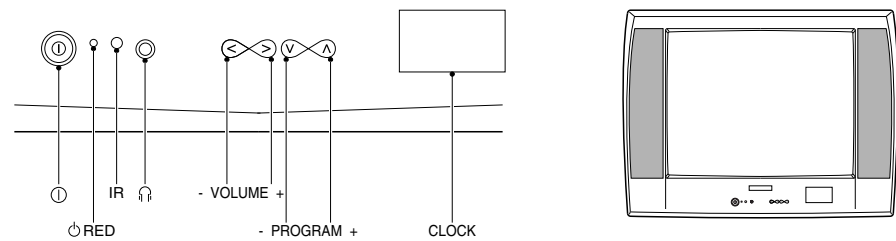


STYLING 351.A1
181201

1	3111 257 57261	Cabinet 17"
2	3111 254 25021	Rear cover
3	Not applicable	
4	2422 264 00414	Loudspeaker 8Ω 5W
5	4822 463 11126	Chassis guide left
7a*	3119 104 27681	Clock lens
7b*	3119 107 05051	Clock lens
7c*	3119 107 05071	Clock lens
8	3111 250 00471	Word mark
9	4822 502 14508	CRT Fixing screw
10	3119 10418246	Degaussing coil bracket
10	3119 10418247	Degaussing coil bracket for A41EAM40X22
11	3111 254 23481	Coil & EHT clamp
12	2422 549 44843	Degaussing coil 17"
13	3111 254 09911	Mains knob silver
14	Not applicable	
15	4822 38010281	Light guide
16	3111 254 09921	Control knob silver
17	4822 463 11125	Chassis guide right
18	3111 254 09891	Loudspeaker grill
19	3139 124 23843	Mains cord relief
	4822 321 11499	Mains cord EU
	4822 321 11493	Mains cord UK
	9301 835 40301	Picture tube A41EAM40X20
	9301 918 60301	Picture tube A41EAM40X22

*a 17HT3154
*b 17HT3304
*c 17HT5404

STYLING 352



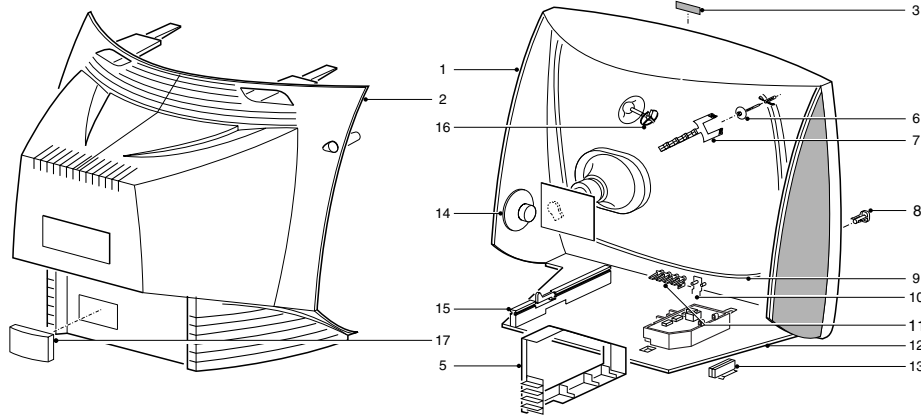
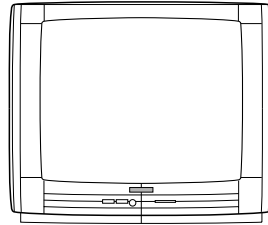
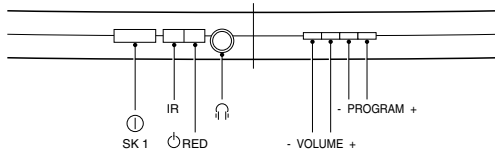
STYLING 352.eps
181201

1	3111 257 57281	Cabinet 25"
1d*	3127 107 60111	Cabinet 25"
2	3111 254 25071	Rear Cover 25"
3	2422 264 00401	Loudspeaker 16Ω 5W
3c*	4822 240 10263	Loudspeaker 8Ω 6W
3d*	2422 264 00534	Loudspeaker 16-10W
4	3111 250 00731	Word mark Philips
4cd*	3111 250 00201	Word mark Philips
5+6	4822 505 11195	CRT Fixing screw
5+6d*	3104 308 77012	CRT Fixing screw
7	4822 403 70906	Corner coil bracket
8	2422 549 44253	Degaussing coil 25"
8d*	2422 549 45778	Degaussing coil 25"
9	4822 380 10251	Light guide
9d*	3139 124 25601	Light guide
10	3139 137 96621	Mains knob
11	3139 137 96611	Control knob
12	????	Mains cord relief
13	3139 124 30871	Chassis guide right
13	3139 124 30881	Chassis guide left
14	4822 401 11765	Coil & EHT clamp
14cd*	3111 254 23481	Coil & EHT clamp
15a	3119 107 05061	Clock lens
15acd*	3119 104 27691	Clock lens
16acd*	3139 124 30571	No system card cap
16b*	3119 104 28131	No system card cap
17	3119 107 17651	EPS bracket
	4822 131 11184	Picture tube A59EAK071X11
	4822 321 11499	Mains cord EU

4822 321 11493 Mains cord UK

*a 25HT5404/01Z/05Z
*b 25HT5404/21R/25R
*c 25HT5404/01B
*d 25HT5405/05B

STYLING 353

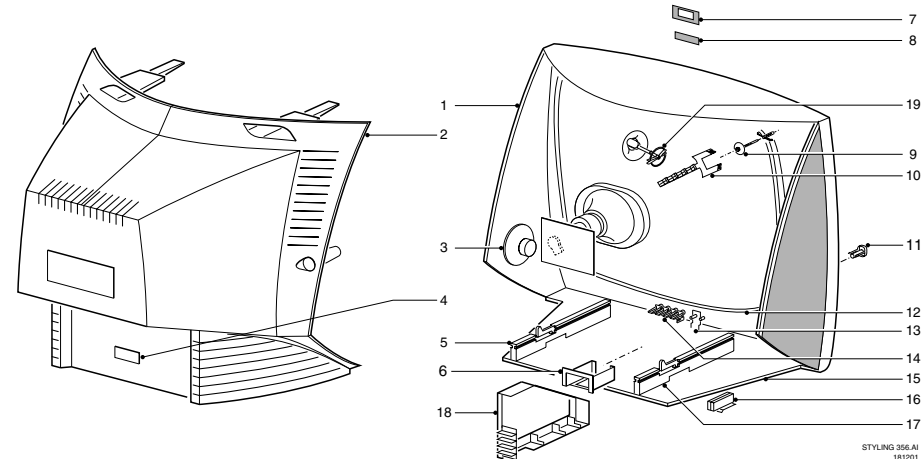
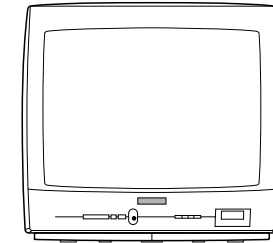
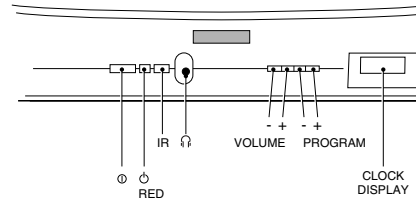


STYLING 353.eps
049804

1	3119 107 05142	Cabinet 28"
2a*	3111 254 25081	Rear cover
2b*	3111 254 25091	Rear cover
3	3111 250 00201	Word mark
4	3139 124 38211	Mains harmonic bracket
5	3119 107 17651	EPS bracket
6	4822 505 11195	CRT fixing screw
7	4822 403 70906	Corner coil bracket
8	3139 137 90651	Mains knob
9	4822 157 11762	Degaussing coil 28"
10	3139 124 37111	Light guide
11	3139 137 90661	Control knob
12	3139 124 30571	No system card cap
13	4822 404 31291	Mains cord relief
14a*	2422 264 00398	Loudspeaker 16Ω 5W
14b*	2422 264 00414	Loudspeaker 8Ω 5W
15	3139 124 30881	Chassis guide
16	4822 401 11765	Coil & EHT clamp
	4822 131 11045	Picture tube A66EAK071X11
	4822 321 11499	Mains cord EU
	4822 321 11493	Mains cord UK

*a 28HT5404
*b 28HT5304

STYLING 356

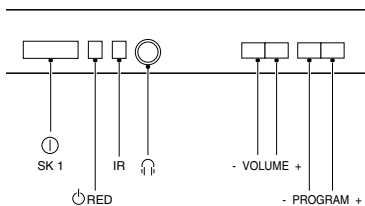


STYLING 356.AI
181201

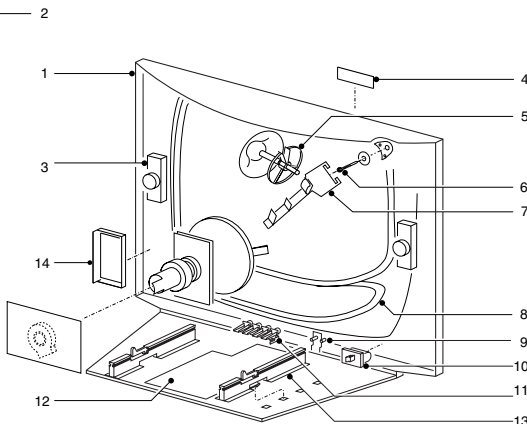
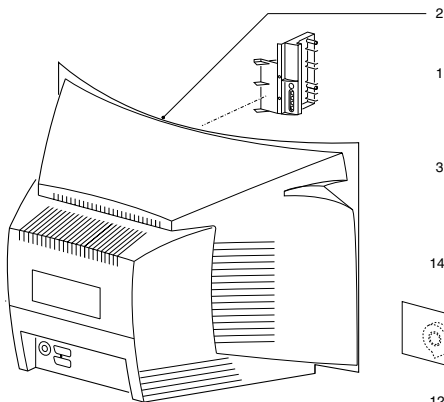
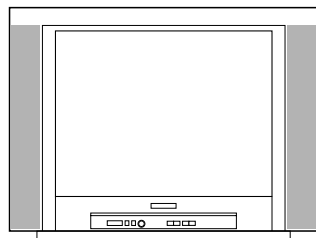
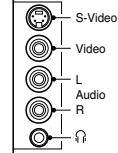
1	3111 257 57271	Cabinet	4822 321 11499	Mains cord EU
2abd*	3111 254 25051	Rear cover	4822 321 11493	Mains cord UK
2c*	3111 254 25061	Rear cover		
3	2422 264 00398	Loudspeaker 16Ω 5W	4822 131 11105	Picture Tube 21"
4abc*	3139 137 69151	No card system cap		A51EAL155X47
5	3139 124 36231	Chassis guide left	9301 952 80342	Picture Tube 21"
6	Not applicable			A51EAL135X42 for
7ad*	3111 254 24971	Lens for clock display		21HT3154N
7b*	3119 107 05181	Lens for clock display		
7c*	3119 107 17511	Lens for clock display		
8	3111 250 00641	Word mark	*a	21HT3154, 21HT4404
9	4822 502 14508	CRT fixing screw	*b	21HT3304
9d*	3139 120 41391	CRT fixing screw	*c	21HT5404
10	4822 404 30945	Degaussing coil bracket	*d	21HT3154N
11	3139 137 76451	Mains knob		
11	3139 138 17941	Mains knob for 21HT3154N		
12	2422 549 44669	Degaussing coil 21"		
12	2422 549 45514	Degaussing coil for 21HT3154N		
13	3139 124 32301	Light guide		
14	3139 137 76461	Control knob		
14	3139 138 17951	Control knob for 21HT3154N		
15	3139 124 33291	Plate VO		
16	4822 404 31291	Main cord holder		
17	3139 124 34091	Chassis guide right		
18c*	3119 107 17651	EPS Bracket		
19	4822 401 11765	Coil & EHT clamp		
19	3111 254 23481	Coil & EHT clamp for 21HT3154N		

STYLING 374

FRONT + TOP CONTROL



SIDE I/O



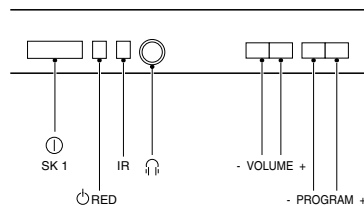
STYLING 374.eps
040904

1a*	3139 138 15271	Cabinet
1b*	3139 137 79751	Cabinet ITV
1c*	3141 057 64541	Cabinet
1d*	3141 057 64472	Cabinet
1e*	3139 177 67451	Cabinet (HP+3AV) USA
2a*	3139 124 34591	Rear cover (6AV+S) USA
2b*	3139 124 36681	Rear cover (9AV) ITV
2c*	3141 054 22401	Rear cover
2d*	3141 054 22361	Rear cover
2e*	3139 124 46481	Rear cover (NAV) USA
3ab*	2422 264 00444	Loudspeaker 8Ω 10W
3ce*	2422 264 00411	Loudspeaker 16Ω 5W
3d*	2422 264 00409	Loudspeaker 8Ω 5W
4ab*	3139 120 01371	Word mark (silver)
4cd*	3141 050 00301	Word mark
4e*	3141 050 00331	Word mark
5abc*	3141 054 22011	CRT spacer
5acde*	3139 124 17541	CRT spacer
6	3104 308 77012	CRT fixing screw
6	3104 308 77012	CRT Fixing Screw
7	3139 124 21372	Degaussing coil bracket
8abcd*	3139 128 23201	Degaussing coil 21" (multi voltage)
8acd*	3139 1 28 23191	Degaussing coil 21" (single voltage) (/79R)
8e*	3141 058 20131	Degaussing coil 21"RF USA
9	3139 124 32221	Light guide
10e*	3139 124 36331	Mains knob
10ab*	3139 137 83951	Mains knob
10cd*	3141 057 64591	Mains knob
10	9301 935 20522	Mains knob
10	9322 163 87682	Mains knob
11abc*	3139 124 36311	Mains knob
11c*	3141 057 64601	Control knob

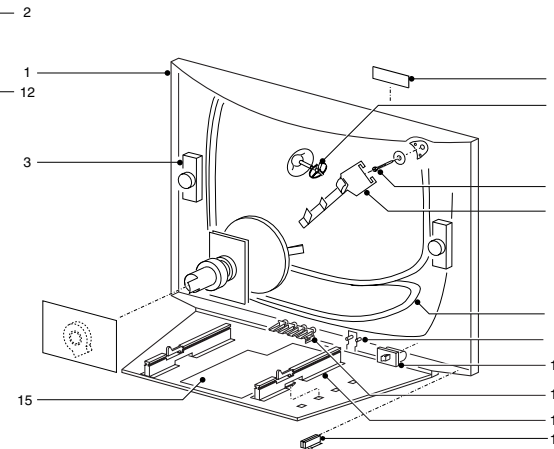
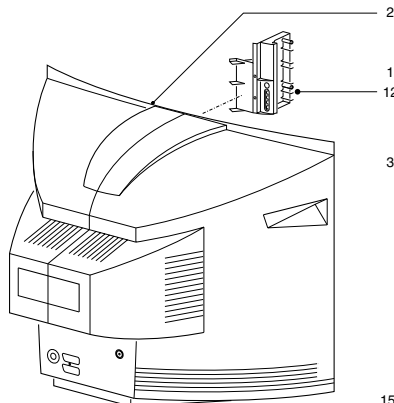
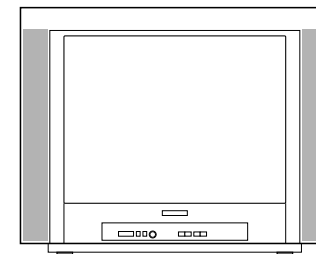
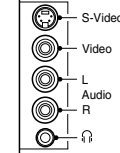
11e*	3139 137 94241	Control knob
12	3139 124 33341	V0 plate
13	3139 124 30812	Chassis guide (VO)
14	3139 124 39541	Side AV bracket
ab*	9322 153 82682	Picture tube 21" A51LSK955X01
cd*	9322 196 08682	Picture tube 21" A51LYZ095X01
e*	9301 903 81343	Picture tube 21" A51ERF135X82
ab*	9322 156 24682	Picture tube 21" A51LSK955X (/67R only)
ab*	2422 549 42609	Multi pole unit JH88DT-PL-00 (/67R only)
ab*	2422 549 44575	Deflection coil KDY3NWC32P (/67R only)
*a	21PT2251, 21PT2252	
*b	21HT2211, 21HT2212	
*c	21PT1323	
*d	21PT3323	
*e	20MS334R (20MS3341/37R)	

STYLING 375

FRONT + TOP CONTROL



SIDE I/O

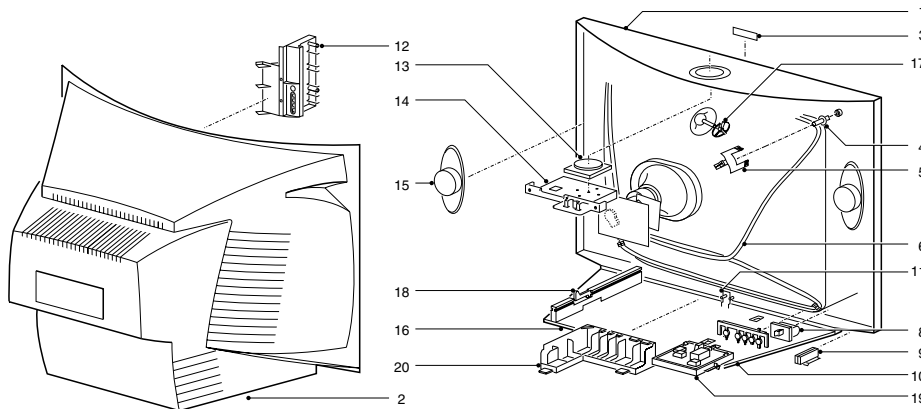
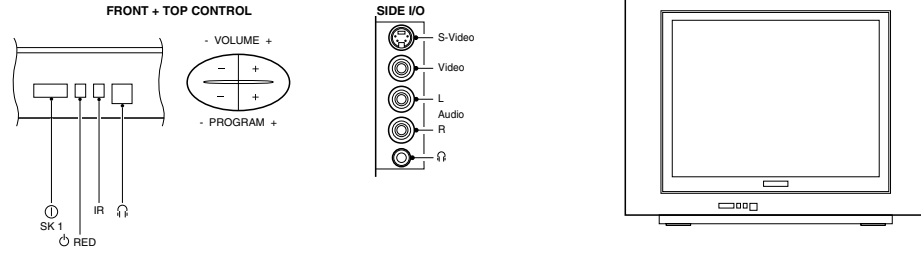


STYLING 375.eps
040904

1j*	3139 124 35601	Cabinet
1k*	3139 124 36511	Cabinet
1f*	3139 137 79751	Cabinet
1de*	3139 137 85831	Cabinet (HP+FC)
1	3139 138 18961	Cabinet NAFTA
1a*	3139 138 18962	Cabinet
1b*	3139 177 58462	Cabinet
1cm*	3141 048 18961	Cabinet
1gh*	3141 047 64541	Cabinet
1n*	3141 047 69501	Cabinet
2ab*	3139 124 42192	Rear cover NAFTA
2c*	3139 124 42191	Rear cover NAFTA
2d*	3139 124 35741	Rear cover (4AV+FM)
2e*	3139 124 35881	Rear cover ITV AP
2fgh*	3139 124 43771	Rear cover (4AV)
2j*	3139 124 35591	Rear cover (9AV)
2k*	3141 054 22361	Rear cover (12AV+SVHS)
2m*	3139 124 44901	Rear cover (NAV)
2n*	3141 057 81021	Rear cover (6AV+SVHS)
3	2422 264 00411	Loudspeaker 16Ω 5W
3hm*	Not applicable	
3kn*	2422 264 00409	Loudspeaker 8Ω 5W
4acdej*	3141 050 00181	Word mark
4b*	3139 120 01371	Word mark (metal silver)
4fn*	3141 050 00301	Word mark
4gh	Not applicable	
4k	3141 050 00351	Word mark
5	4822 532 61201	EHT spacer
5n*	3139 124 23861	EHT spacer
6	4822 502 14508	CRT fixing screw/washer
6fghk*	4822 505 11195	CRT fixing screw
7abcde*	3141 054 22351	Cable tie
7	3139 124 10113	Bracket
7mn*	3139 121 08841	Cable connecting
8	4822 157 11444	Degaussing coil 21" (multi voltage)
8abc*	3139 128 23841	Degaussing coil 21" US
8n*	2422 549 00096	Degaussing coil
9	3139 124 34401	Light guide
9fk*	3139 124 32221	Light guide
9gh*	Not applicable	
10	3139 124 42181	Mains knob

10acm*	3139 138 18951	Mains knob
10b*	3139 177 58441	Mains Knob
10dej*	3139 137 86061	Mains knob
10fghk*	3139 124 36331	Mains knob
10n*	3141 057 69461	Mains knob
11acm*	3139 177 51741	Control knob USA
11b*	3139 177 58431	Control knob USA
11de*	3139 137 86011	Control knob
11fgh*	3139 124 36311	Control knob
11j*	3139 124 37962	Control knob
11k*	Not applicable	
11n*	3141 057 69451	Control knobs
12	Not applicable	
13	3139 124 30811	Chassis guide (VO)
13gh*	Not applicable	
14	Not applicable	
15	3139 124 33291	VO plate
15fk*	3139 124 33341	VO plate
15ghmn*	Not applicable	
	9301 843 10329	Picture tube A51EHW135X47
fghk*	9322 196 08682	Picture tube A51LYZ095X01
j*	4822 131 20581	Picture tube A51KXR95X01
*a	21PS47S	
*b	20L140	
*c	20L145	
d	21PT2152, 21PT2011, 21PT2012, 21PT1320	
*e	21HT2017	
*f	21PT1323/56S	
*g	21PT1323/67R	
*h	21PT1323/69S	
*i	21PT2152/68R	
*k	21PT3323/69S	
*m	21PT529A/85R	
*n	21PT2124/71R	

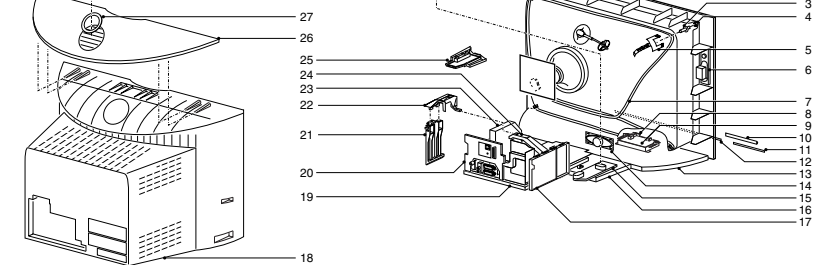
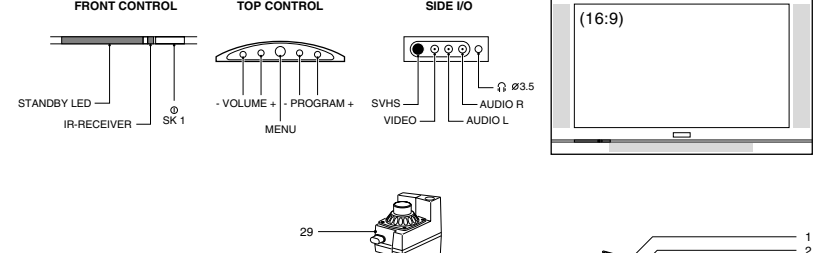
STYLING 377



STYLING 377.eps 04/98/94

1	3139 124 36511	Cabinet	13abc*	3139 124 31131	Top control cover
1a*	3139 138 17631	Cabinet	13+14d*	3141 057 65961	Top control
1bc*	3139 137 78351	Cabinet US	13h*	Not applicable	
1d*	3141 057 65971	Cabinet	14	3139 124 30381	Top control bracket
1e*	3141 047 68001	Cabinet	14d*	3139 124 30391	Top control bracket
1h*	3141 047 69561	Cabinet	14*	Not applicable	
2	3141 054 22361	Rear cover (12AV+SVHS) AP	15	2422 264 00409	Loudspeaker 8Ω 5W
2a*	3139 124 34591	Rear cover (6AV+S) US	15ad*	2422 264 00444	Loudspeaker 8Ω10W
2bc*	3139 124 37531	Rear cover (12AV+SVHS) US	15bc*	2422 264 00411	Loudspeaker 16Ω 5W
2d*	3139 124 40391	Rear cover	16	Not applicable	
2h*	3141 057 81031	Rear cover (12AV+SVHS)	16abcd*	3139 124 40321	Front mains PCB bracket
3	3141 050 00351	Word mark	17	4822 532 61201	EHT spacer
3a*	3139 120 01371	Word mark	17h*	Not applicable	
3bc*	3141 050 00181	Word mark	17h*	3139 124 17541	EHT spacer (/69S, /56S)
3deh*	3141 050 00301	Word mark	18	3139 124 30811	Chassis guide (VO)
4	4822 505 11195	CRT fixing screw	18d*	3139 124 25893	Chassis guide (VO)
5	3141 054 22351	Cable tie	19	Not applicable	
5fg*	3139 124 21372	Degaussing coil bracket	20	Not applicable	
6	4822 157 11446	Degaussing coil 21" (single voltage)	abc*	9322 196 08682	Picture tube A51LYZ095X01
6ade*	4822 157 11444	Degaussing coil		9322 153 82682	Picture tube A51LSK955X01
6bc*	3139 128 23841	Degaussing coil	*a	21PT2301, 21PT2302	
6h*	3139 128 23201	Degaussing coil 21" (multi voltage)	*b	20RF50S3	
			*c	21PV3022	
			*d	21PT4323	
7	Not applicable		*e	21PT5407/21	
8	3139 124 36331	Mains knob	*f	21PT3323/56S/67R	
8a*	3139 137 76521	Mains knob	*g	21PT4223/69R/69S	
8bc*	3139 137 92631	Mains knob	*h	21PT3324/67S, /69S, /56S	
8d*	3141 057 65651	Mains knob			
8e*	3141 057 64591	mains knob			
8h*	3141 057 69571	Mains knob			
9	Not applicable				
9abcd*	3122 224 04623	Mains cord relief			
10	3139 124 33341	VO plate			
10d*	3139 124 39161	VO plate			
11	3139 124 32221	Light guide			
11d*	3139 124 41421	Light guide			
12aegh*	3139 124 39541	Side AV bracket (HP+3AV)			
12bc*	3139 124 34251	Side AV bracket			
12d*	3139 124 37061	Side AV bracket			
12i*	3141 054 22541	Side AV bracket (HP)			
13	3139 137 66921	Top control cover			

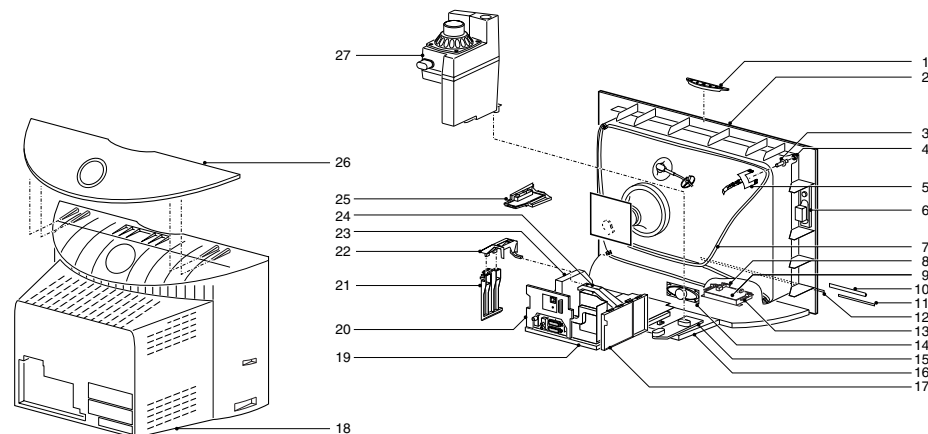
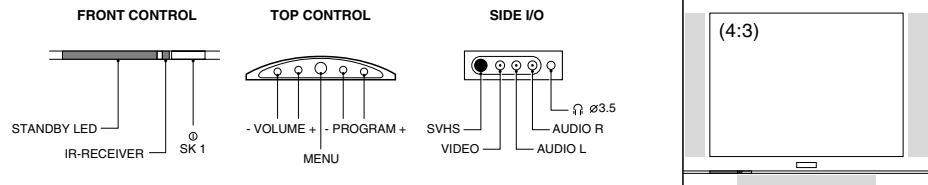
STYLING 380



STYLING 380.eps 04/98/94

1	3104 307 98241	Top control keypad	22	3104 304 24151	Bracket SSB top-support
2	3104 304 23431	Top control bottom	23	3104 301 24191	Shielding frame SSB (A-side)
3	4822 404 31294	Insert (VP19000)	23	3104 301 24201	Shielding frame SSB (Z-side)
4	4822 502 21359	Picture tube screw	23	3104 301 24211	Shielding cover SSB (A-side)
5a*	4822 403 70906	Bracket fix deg. coil short (4x)	23	3104 301 24221	Shielding cover SSB (Z-side)
5b*	4822 403 70906	Bracket fix deg. coil short (2x)	24	3104 304 24131	Bracket LOT-support
5b*	4822 404 31289	Bracket fix deg. coil long (2x)	25abch*	3104 328 24351	Side I/O Assy
5cdegh*	3104 304 21091	Bracket fix deg. coil short (4x)	25defg*	3104 328 17431	Side I/O Assy
6	2422 264 00429	Loudspeaker (2x)	25	3104 304 23481	Side I/O bracket
7a*	2422 549 44621	Degaussing coil	26/28a*	3104 307 98631	Top cover Assy (incl. disc)
7b*	3104 308 20401	Degaussing coil	26/28b*	3104 307 98641	Top cover Assy (incl. disc)
7b*	3104 308 20731	Degaussing coil (/61R)	26/28cdegh*	3104 307 98651	Top cover Assy (incl. disc)
7c*	3104 308 20391	Degaussing coil	27	3104 308 78201	Rubber earring
7ch*	3104 308 20721	Degaussing coil (/61R)	28	3104 304 24002	Flying saucer
7deg*	2422 549 44243	Degaussing coil	29	3104 130 01981	Subwoofer box
7f*	2422 549 44256	Degaussing coil			
8	3104 307 97621	Mains switch knob	a*	3104 328 20441	Top control Assy
9	3104 304 23471	Bracket Mains Switch panel	b*	3104 328 17131	Top control Assy
10	3104 304 23461	Light guide	cdefgh*	3104 328 17301	Top control Assy
11a*	3104 304 23651	Deco strip left		3104 300 12311	Matchline emblem
11bf*	3104 304 23621	Deco strip left		3104 300 12241	Word mark PHILIPS
11cdegh*	3104 304 23591	Deco strip left	cdegh*	3104 304 21031	Bracket Rotation coil
12a*	3104 304 23661	Deco strip right		3128 138 60661	Rotation coil
12bf*	3104 304 23631	Deco strip right	a*	9301 899 90306	Picture tube W66ERF042X044
12cdegh*	3104 304 23601	Deco strip right	b*	9301 899 00301	Picture tube W76ERF052X044 (PHILIPS)
13a*	3104 328 16531	Cabinet Assy			
13b*	3104 328 16572	Cabinet Assy (for PHILIPS CRT)	b*	9301 880 70301	Picture tube W76ERF042X044 (PHILIPS)
13b*	3104 328 26951	Cabinet Assy (for MEC CRT)	b*	9322 173 93682	Picture tube W76EKW 10X73 (MEC)
13b*	3104 328 16581	Cabinet Assy (/69R, /79R)	cdegh*	3104 300 50301	Picture tube W86LPX955X
13c*	3104 328 24361	Cabinet Assy	ab*	3128 147 13981	Remote control RC2048
13d*	3104 328 16611	Cabinet Assy	c*	3128 147 13991	Remote control RC2049
13f*	3104 328 26781	Cabinet Assy	dch*	3128 147 14011	Remote control RC2060
13g*	3104 328 27632	Cabinet Assy	f*	3128 147 14461	Remote control RC4305/01
14	2422 264 00431	Centre loudspeaker (1x)		4822 321 11493	Mains cord (/05, /57)
15	3104 304 24241	Bracket Subwoofer support		4822 321 11499	Mains cord (/12, /69)
16abc*	3104 304 23501	Bottom plate		2422 070 98132	Mains cord (/79)
16defgh*	3104 304 24351	Bottom plate		3104 328 11841	Mains cord (/71, /55, /17)
17	3104 304 23041	Bracket DAF/DC-shift panel		3139 128 75261	Mains cord (/77)
18a*	3104 307 98461	Rear cover Assy		4822 402 11183	Mains cord holder
18b*	3104 307 98521	Rear cover Assy			
18b*	3104 307 98531	Rear cover Assy (/69R, /79R)			
18c*	3104 307 98601	Rear cover Assy	*a	28PW9527/xxx	
18deg*	3104 307 98612	Rear cover Assy	*b	32PW9527/xxx	
18i*	3104 307 98541	Rear cover Assy	*c	36PW9527/xxx	
19	3104 304 23001	Frame for LSP	*d	34PW9818/xxx	
20ab*	3104 304 21331	Cover plate SCART3/wireless	*e	36PW9818/xxx	
20cdeh*	3104 304 24581	Cover plate SCART3/wireless	*f	30PW9819/xxx	
20fg*	3104 304 25392	Cover plate DVI-US	*g	34PW9819/xxx	
21	3104 304 24141	Bracket Auto-SCAVEM	*h	36PW9818/xx	

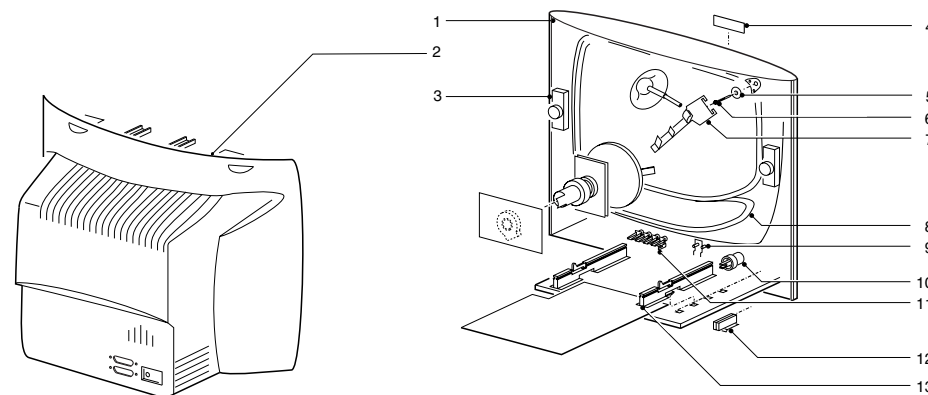
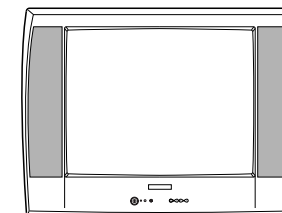
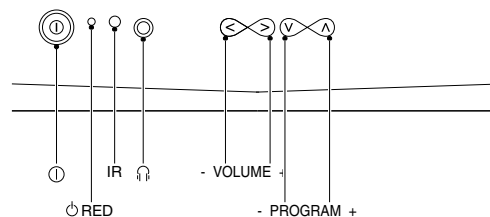
STYLING 382



STYLING 382.eps
040804

1a*	3104 328 19791	Top control assy 29"	25	3104 304 23481	Side I/O bracket
1b*	3104 328 17301	Top control assy 34"	26a*	3104 307 97561	V0 Top cover 29"
2a*	3104 328 12231	Cabinet 29"	26b*	3104 307 97551	V0 Top cover 34"
2b*	3104 328 12221	Cabinet 34"	27	3104 130 01981	Subwoofer box
3a*	4822 505 11195	CRT screw 29"	a*	3104 304 22432	Bracket PIP/3D-comb panel
3b*	4822 502 21359	CRT screw 34"	a*	3139 124 39581	Bracket Rotation coil 29"
4b*	4822 404 31294	CRT fixing insert (VP19000)	b*	3104 304 21031	Bracket Rotation coil 34"
5a*	3139 124 31122	Bracket degaus. coil 29" (4x)	a*	3128 138 60661	Rotation coil
5b*	3139 124 32811	Bracket degaus. coil 34" (4x)	a*	9322 176 13682	Picture tube 29"
6	2422 264 00429	L/R loudspeaker (2x)	a*	9322 160 15682	A68QCP891X536 (/57, /61)
7a*	2422 549 44579	Degaus. coil 29" (/57)	a*	9322 185 70682	Picture tube 29"
7a*	3139 128 23781	Degaus. coil 29" (/61, /69, /71, /79)	b*	9322 185 75682	A68QCP891X501 (/69, /71, /79)
7b*	3104 308 20361	Degaus. coil 34" (/57)	b*	3128 147 14011	Picture tube 34" A80LTM350X89 (/57, /61)
7b*	3104 308 20351	Degaus. coil 34" (/61, /69, /71)	a*	3128 147 13991	Picture tube 34" A80LTM351X89 (/69, /71)
8	3104 307 97621	Mains knob assy	ab*	4822 321 11493	Remote RC2060 (/61, /69, /71, /79)
10	3104 304 23461	Light guide	ab*	4822 321 11499	Mains cord (/57)
11a*	3104 304 23531	Deco strip left 29"	ab*	3104 328 24341	Mains cord (/61, /71)
11b*	3104 304 23561	Deco strip left 34"	ab*	2422 070 98207	Mains cord (/79)
12a*	3104 304 23541	Deco strip right 29"	ab*	4622 006 06061	Mains cord (/93)
12b*	3104 304 23571	Deco strip right 34"	a*	4822 402 11183	Mains cord holder
13	3104 304 23471	Bracket Mains Switch panel	a*	3104 300 12311	'Matchline' emblem
14	2422 264 00431	Centre loudspeaker (1x)	b*	3104 300 12231	'Philips' word mark 29"
15	3104 304 24241	Subwoofer support bracket	b*	3104 300 12241	'Philips' word mark 34"
16	3104 304 24231	Bottom plate	*a	29PT9420/xxR	
17	3104 304 23041	Bracket for DAF panel	*b	34PT9420/xxR	
18	3104 307 97501	Rear cover assy 29"			
18	3104 307 97491	Rear cover assy 34"			
19	3104 304 23001	Bracket for LSP			
20	Not applicable				
21	3104 304 24141	Bracket for SSB bottom support			
22	3104 304 24151	Bracket for SSB top support			
23	3104 301 24131	Shielding frame SSB (A-side)			
23b*	3104 301 24191	Shielding frame SSB (A-side)			
23b*	3104 301 24141	Shielding frame SSB (Z-side)			
23b*	3104 301 24201	Shielding frame SSB (Z-side)			
23	3104 301 24151	Shielding cover SSB (A-side)			
23b*	3104 301 24211	Shielding cover SSB (A-side)			
23	3104 301 24161	Shielding cover SSB (Z-side)			
23b*	3104 301 24221	Shielding cover SSB (Z-side)			
24	3104 304 24131	LOT support bracket			
25	3104 328 24351	Side I/O assy			

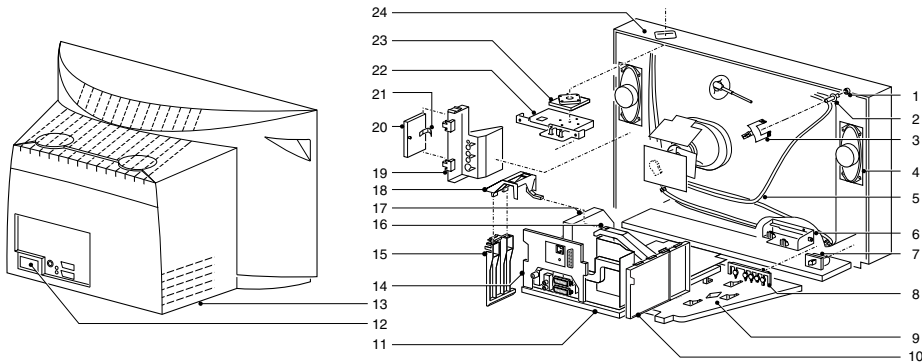
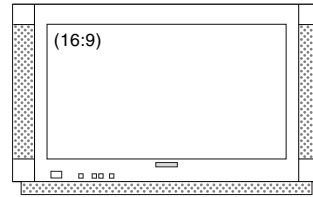
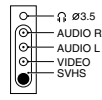
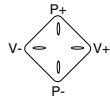
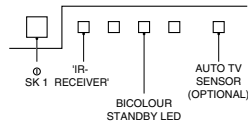
STYLING 393



STYLING 393.eps
040804

1a*	3139 138 19661	Cabinet	13ab*	4822 463 11226	Chassis guide (VO)
1b*	3141 054 21481	Cabinet			
1c*	3139 124 47581	Cabinet		4822 131 11298	Picture tube A68ESF004X111
2a*	3141 054 22181	Rear cover		9322 202 27682	Picture tube A51AKL13X10 (CPTO) B
2b*	3139 137 92881	Rear cover			
2c*	3141 057 82001	Rear cover	*a	29PT2162/56A/69R	
3	2422 264 00404	Loudspeaker 8Ω 6W	*b	29PT2162/68R	
3c*	2422 264 00479	Loudspeaker 16Ω 5W	*c	21PT1627/60	
4a*	3141 050 00251	Word mark PHILIPS			
4b*	2422 264 00404	Word mark			
4c*	3139 120 01601	Word mark			
5	Not applicable				
6ab*	4822 500 30034	CRT fixing screw			
7a*	4822 404 31434	Degaussing coil bracket			
7b*	3141 054 22351	Cable tie			
8	4822 157 11549	Degaussing coil 29"			
		8c*3139 128 23201 Degaussing coil 21"			
9	3139 124 25601	Light guide			
9c*	3139 124 47501	Light guide			
10a*	3141 057 63011	Mains knob			
10b*	3139 137 67141	Mains knob			
10c*	3141 057 69591	Mains knob			
11a*	3141 057 63091	Control knob			
11b*	3141 054 21521	Control knob			
11c*	3141 057 68721	Control knob			
12ab*	4822 404 31363	Mains cord relief			
13ab*	4822 463 11225	Chassis guide (HB)			

STYLING 395

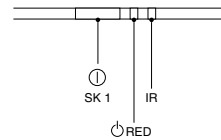


STYLING 395.apx
040804

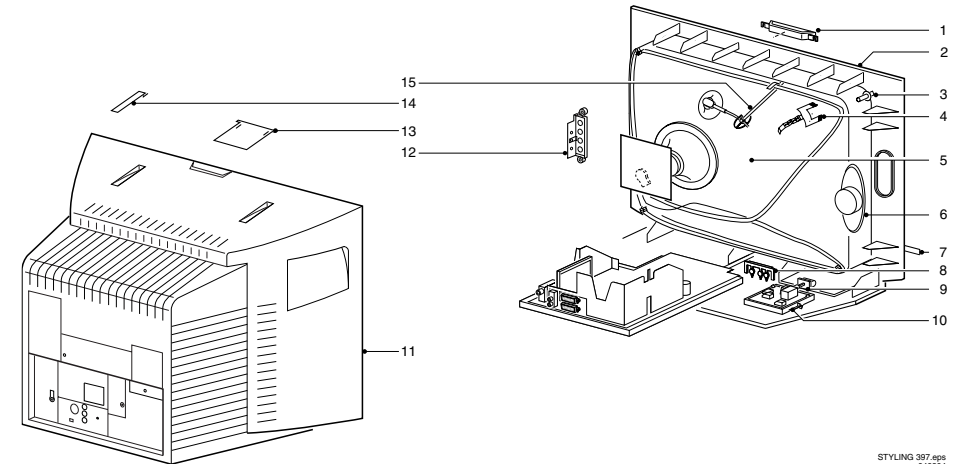
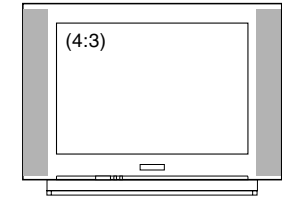
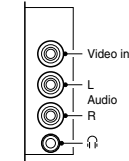
1	3104 308 74023	CRT insert	3104 300 11991	Word mark
2	4822 502 21359	CRT screw	9301 895 00306	Picture tube
3	4822 404 31289	Bracket fix degaussing coil	3128 138 60661	Rotation coil
4	3104 308 78281	Loudspeaker	2422 070 98132	Mains cord -/79
5	3104 308 20401	Degaussing coil	4822 402 11183	Mains cord holder
6	3104 304 21856	Bracket mains unit	3104 300 20181	Adapter EURO to Cinch/S-VHS for -/57, /69, /79
7	3104 307 96232	Mains knob	3104 300 20191	Adapter EURO to 3 x Cinch for -/57, /69, /79
8	3104 304 21871	Light guide	3128 147 13991	Remote control
9	3104 304 22012	Bottom plate	32PW8808/79R	
10	3104 304 23041	Bracket for DAF/DC-shift panel		
11	3104 304 23003	Bracket for LSP		
12	3104 304 22312	Service connector cover		
13	3104 307 99111	Rear cover assy		
14	3104 304 24581	Cover plate 2x2FH		
15	3104 304 24141	Bracket for Auto-Scavem panel		
16	3104 304 24131	LOT support bracket		
17	3104 301 24191	Shielding frame SSB (A-side)		
17	3104 301 24201	Shielding frame SSB (Z-side)		
17	3104 301 24211	Shielding cover SSB (A-side)		
17	3104 301 24221	Shielding cover SSB (Z-side)		
18	3104 304 24151	Bracket for SSB top support		
19+20+21	3104 328 20921	Side I/O assy		
19	3104 304 24041	Bracket for Side I/O panel		
20	3104 304 25271	Door Side I/O		
21	3104 301 23972	Metal spring for door		
22+23	3104 328 09732	Top control assy		
22	3104 304 19794	Top Control bracket		
23	3104 304 22561	Top Control keypad		
24	3104 328 21633	Cabinet assy		

STYLING 397

FRONT + TOP CONTROL



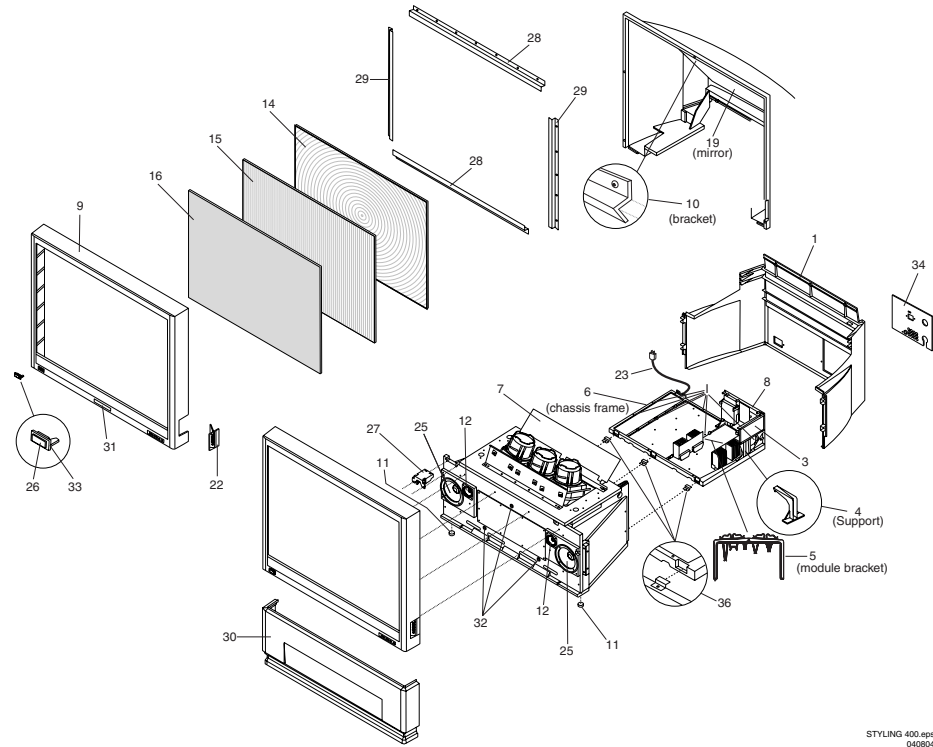
SIDE I/O



STYLING 397.apx
040804

1ab*	3139 124 39171	Top control bracket	9c*	3139 124 36331	Mains knob
1ab*	3139 124 39181	Top control knob	9d*	3139 124 39201	Mains knob
1ab*	3139 138 13541	Top control assy	9f*	3141 057 69571	Mains knob
1c*	3139 137 66921	Top control button	10	3139 124 30431	Front interface bracket
1de*	3139 124 39182	Top control button	10cf*	Not applicable	
1f*	3139 124 30381	Top control bracket	11	3139 124 40391	Rear cover
2ab*	3139 138 13611	Cabinet 21"	11c*	3141 054 22981	Rear cover
2ab*	3141 057 65971	Cabinet 21" (silver)	11f*	3141 057 81031	Rear cover (12AV+SVHS)
2c*	3139 124 36511	Cabinet	12ab*	3139 124 41141	Side AV bracket
2de*	3139 124 40372	Cabinet	12cf*	3139 124 39541	Side AV bracket (HP+3AV)
2f*	3141 047 69561	Cabinet	12de*	3139 124 37061	Side AV bracket (HP+3P)
3	4822 505 11195	CRT fixing screw	13	3139 124 39161	VO plate for rear cover
3f*	3104 308 77012	CRT fixing screw	13cf*	3139 124 33341	VO plate
4ab*	3139 124 33472	Degaussing coil bracket	14	3139 124 42891	Screw cap for rear cover
4ab*	4822 492 71627	Degaussing coil bracket	14cf*	Not applicable	
4cde*	3141 054 22351	Degaussing coil bracket	15	Not applicable	
4f*	Not applicable		16abde*	3139 124 40331	Chassis guide (HB)
5a*	9301 904 98521	Picture tube A51QDJ279X77(N)/(/56A, 57R, 71R, 97R)	16abde*	4822 463 11226	Chassis guide (VO)
5a*	9301 904 99521	Picture tube A51QDJ279X77(Q)/(/65R, 67R, 68R, 69R)	16cf*	3139 124 30811	Chassis guide (VO)
5a*	9301 906 40521	Picture tube A51QDJ279X77(S)/(/79R)	17	4822 157 11444	Degaussing coil 21" (multi voltage)
5b*	9322 196 08682	Picture tube A51LY2095X01	17h*	3139 128 23191	Degaussing coil 21" (single voltage) (/79R)
5c*	9322 202 27682	Picture tube A51AKL13X10	a*	3139 128 75230	Mains cord AUS/NZ
5de*	9322 196 08682	Picture tube A51LY2095X01	c*	2422 070 98236	Mains cord
5f*	9322 202 29682	Picture tube A51AKL13X10N	bde*	2422 070 98199	Mains cord
5f*	9322 202 30682	Picture tube A51AKL13X10R (/79R)	f*	2422 070 98231	Mains cord
6	2422 264 00444	Loudspeaker 8Ω 10W	*a	21PT4320	
6cf*	2422 264 00409	Loudspeaker 8Ω 5W	*b	21PT5307	
7	3141 050 00301	Word mark (silver frost)	*c	21PT3324/56R	
8	3139 124 41421	Light guide	*d	21PT4323/56S	
8cf*	3139 124 32221	Light guide	*e	21PT4323/69S	
9abe*	3141 057 65651	Mains knob silver	*f	21PT3324/69R, /71R, /79R	

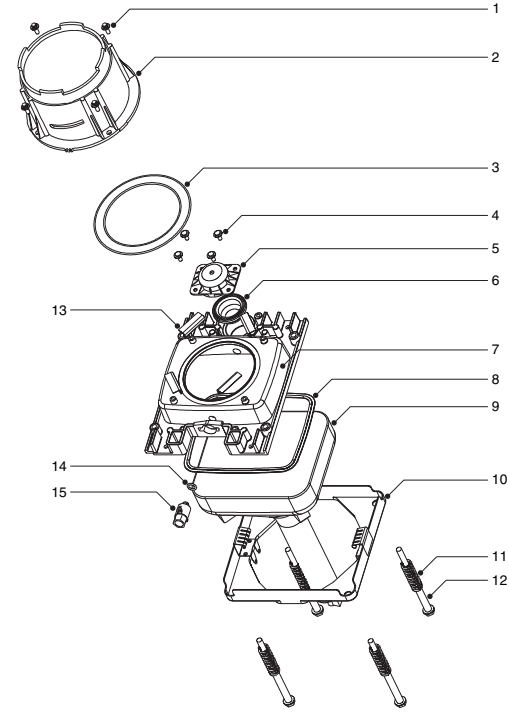
STYLING 400a



STYLING 400a.eps
040804

1	3135 034 01381	Rear cover	15	3135 033 20061	Lenticular lens
1elm*	3135 033 00321	Rear cover	16c*	3135 034 00931	Protection screen
1i*	3135 014 10133	Rear cover	16e*	3135 034 01321	Protection screen
2	3135 037 51751	Rear upper assembly	19	3135 034 90081	Mirror
2efg*	3135 037 72051	Rear upper assembly	19efg*	3135 034 90051	Mirror
3abc*	3135 014 10062	Pip frame	19h*	3135 034 90101	Mirror
4abcd*	3135 014 10321	SSB support bracket	22a*	3135 037 51951	Side jack assy
5	3135 034 01021	Module bracket	22b*	3135 037 70961	Side jack assy
6	3135 034 01991	Chassis frame	22effl*	3135 037 70971	Side jack assy
6i	3135 034 01042	Chassis frame	22g*	3135 037 54881	Side jack assy
7	3135 033 01361	Rear barrier	22h*	3135 037 54861	Side jack assy
7efg*	3135 033 01031	Rear barrier	22ik*	3135 037 54041	Side jack assy
8	3135 034 02011	Frame rear jack panel	22jm*	3135 037 10581	Side jack assy
8hm*	3135 034 02532	Frame rear jack panel	23a*	2422 070 98157	Mains cord UK
9abc*	3135 037 51241	Front assy	23be*	2422 070 98163	Mains cord EU
9d*	3135 037 51931	Front assy	23eg*	2422 070 98264	Mains cord AUS/NZ
9e*	3135 037 52412	Front assy	23ehijkm*	2422 070 98154	Mains cord CH
9f*	3135 037 72111	Front assy	23i*	2422 070 98165	Mains cord Korea
9g*	3135 037 51881	Front assy	25	2422 264 00453	Loudspeaker woofer
9hijk*	3135 037 53971	Front assy	26	3135 037 50981	Button
9i*	3135 037 72121	Front assy	26d*	3135 037 52061	Button
9m*	3135 037 53931	Front assy	26efg*	3135 034 00691	Button
10abcdh*	3135 011 04611	Mirror mounting bracket	27	3135 014 10361	Housing vacation switch
10abcdh*	3141 051 20471	Mirror mounting bracket left	28bh*	3135 034 01452	Screen top and bottom bracket
10abcdh*	3141 051 20481	Mirror mounting bracket right	28c*	3135 034 00941	Screen top and bottom bracket
10efg*	3135 034 03461	Mirror mounting bracket	28ad*	3135 011 04481	Screen top and bottom bracket
10efg*	3135 034 03451	Mirror mounting bracket	28e*	3135 034 01221	Screen top and bottom bracket
10efg*	3135 034 03491	Mirror mounting bracket	28m*	3135 034 04121	Screen top and bottom bracket
11	3135 010 09741	Foot	29bh*	3135 034 01461	Screen side bracket
12	2422 264 00452	Loudspeaker tweeter	29c*	3135 034 00951	Screen side bracket
12hijkm*	2422 264 00497	Loudspeaker full range	29ad*	3135 011 04491	Screen side bracket
14	3135 033 20171	Fresnel lens	29e*	3135 034 01271	Screen side bracket
14e*	3135 033 20181	Fresnel lens	29m*	3135 034 04111	Screen side bracket
15	3135 033 20141	Lenticular lens			

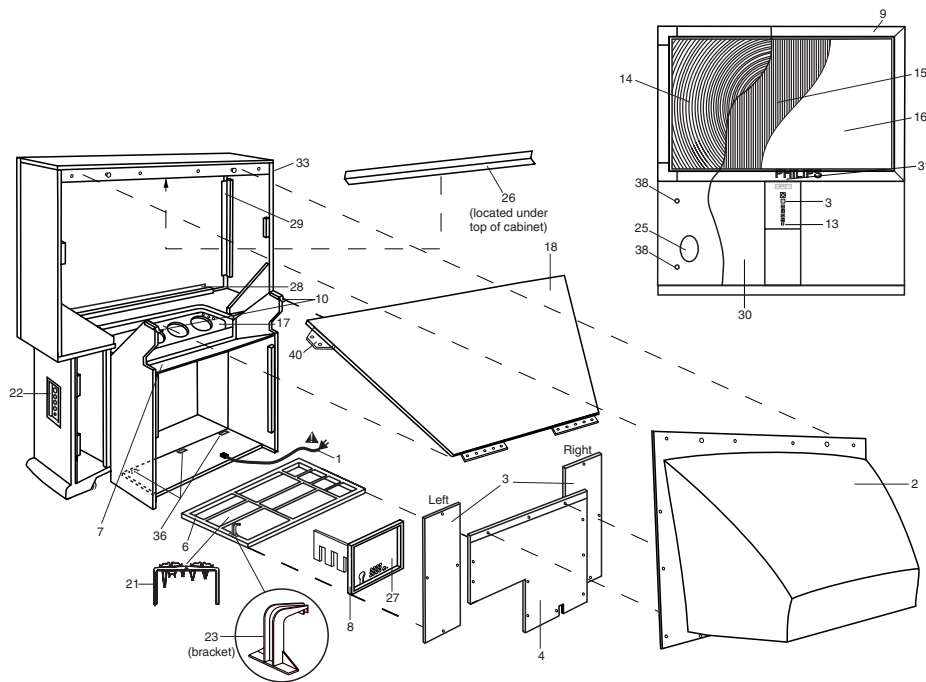
STYLING 400b



STYLING 400b.eps
050804

Styling 400a (Continued)					
30	3135 037 71561	Grill assy (Baffle assy)	*e	46PP8621/57, 46PP8621/69, 46PP8621/79, 46PP8621/93	
30d*	3135 037 71331	Grill assy (Baffle assy)	*f	43PP8621/57, 43PP8421/69	
30efg*	3135 033 00751	Grill assy (Baffle assy)	*g	43PP8421/79, 43PP8421/93	
30hk*	3135 037 53991	Grill assy (Baffle assy)	*h	43PP8441/93	
30i*	3135 037 53911	Grill assy (Baffle assy)	*i	43PP8442/93	
30j*	3135 037 53981	Grill assy (Baffle assy)	*j	43PP8443/93	
30l*	3135 037 51801	Grill assy (Baffle assy)	*k	43PP8541/93	
30m*	3135 037 53781	Grill assy (Baffle assy)	*l	46PP8621/61	
31	3135 120 01172	Word mark	*m	46PP8741/93	
31efg*	3141 050 00151	Word mark			
31h*	4822 459 11228	Word mark			
32	3135 013 02761	Baffle mounting cup	Styling 400b		
33	3135 037 71061	Vacation switch button assy	1	3135 010 02971	Screw (lens to coupler)
33efg*	3135 037 71081	Vacation switch button assy	2	3135 034 00731	Lens C-element green
33h*	3135 014 10421	Vacation switch button assy	2	3135 034 00721	Lens C-element red-blue
34	3135 030 00161	Label overlay rear jack panel	3	3135 013 02632	Coupler green
34	3135 030 00202	Label overlay rear jack panel -/ 61	4	3135 010 02981	Screw
		Label overlay rear jack panel	5	3135 014 02681	Cap coupler
34m*	3135 030 00321	Solar cell assy	6	4822 418 10413	Expansion diaphragm
	3135 038 70081	Projection tube P16LTG00HHA	7	3135 031 60011	Coupler red-blue
	9322 173 21682	Projection tube P16LTG00RFA	7	3135 031 60021	Coupler green
	9322 173 22682	Projection tube P16LTG00BMB	8	4822 532 13123	Seal CRT
*hijkm	9322 202 91682	Projection tube P16LXL00RFA	9	9322 173 22682	Picture tube P16LTG00RFA
*hijkm	9322 202 92682	Projection tube P16LXL00HHA	9	9322 173 21682	Picture tube P16LTG00HHA
*hijkm	9322 202 93682	Projection tube P16LXL00BMB	9	9322 173 23682	Picture tube P16LTG00BMB
	9965 000 23140	Convergence template 43" 4/3	10	3135 011 02371	Bracket CRT
	9965 000 20169	Convergence template 46" 16/9	11	4822 492 11733	Spring
elm*			12	3135 010 08101	Screw
			13	3135 014 02811	CRT pad
*a	43PP8420/57		14	4822 530 10519	O-ring
*b	43PP8420/69		15	4835 432 17791	Plug vent
*c	43PP8320/93			4822 310 67032	Cooling fluid
*d	43PP8420/93				

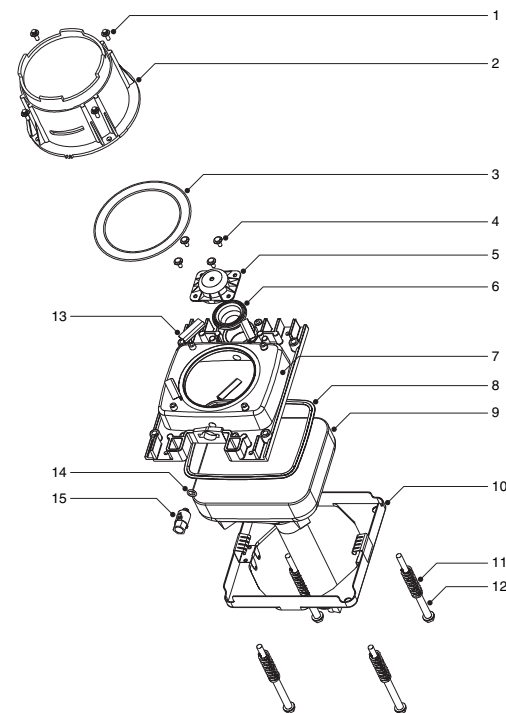
STYLING 401a



STYLING 401a.dwg
04/2004

1ac*	2422 070 98163	Mains cord EUR	13	3135 014 10231	Window IR receiver
1b*	2422 070 98155	Mains cord AUS/NZ			
1de*	2422 070 98154	Mains cord CH			
1g*	2422 070 98165	Mains cord Korea			
2	3135 037 70991	Back upper cabinet			
2dg*	3135 034 00791	Back upper cabinet			
2e*	3135 034 02211	Back upper cabinet			
3	3135 033 00381	Cabinet back cover end	17	3135 034 00891	Light barrier
3d*	3135 033 00951	Cabinet back cover end	18	3135 034 90061	Mirror
3e*	3135 033 00811	Cabinet back cover end	18e*	3135 034 90021	Mirror
			21	3135 034 02513	Bracket
3g*	3135 033 01042	Cabinet back cover end	21g*	3135 034 01022	Bracket
4	3135 033 00321	Cabinet back cover centre			
4e*	3135 033 00801	Cabinet back cover centre			
5	3135 037 50971	Front control housing	22	3135 035 50731	Side jack panel assy
6	3135 034 01991	Chassis frame	25	2422 264 00453	Loudspeaker woofer
			25e*	2422 264 00497	Loudspeaker
			26	3135 011 01623	Rail
			26e*	3135 011 03641	Rail
7	3135 013 03721	Centre barrier for UL			
8	3135 034 01033	Frame rear jack	27	3135 030 00161	Label rear jack
8c*	3135 034 02011	Frame rear jack	27de*	3135 030 00321	Label rear jack
8de*	3135 037 02532	Frame rear jack	27g*	3135 030 00202	Label rear jack
8g*	3135 034 02542	Frame rear jack	28	3135 034 01781	Retainer screen horizontal
			28d*	3135 034 04081	Retainer screen horizontal
9ac*	3135 037 70921	Screen frame assy			
9b*	3135 037 71401	Screen frame assy			
9d*	3135 034 00781	Screen frame assy	28e*	3135 034 04121	Retainer screen horizontal
9e*	3135 037 53951	Screen frame assy	28g*	3135 034 03291	Retainer screen horizontal
9f*	3135 037 72321	Screen frame assy			
9g*	3135 037 52511	Screen frame assy			
10	3135 011 04751	Mirror bracket			
10deg*	3135 011 03003	Mirror bracket			
11	3135 034 00691	Button			

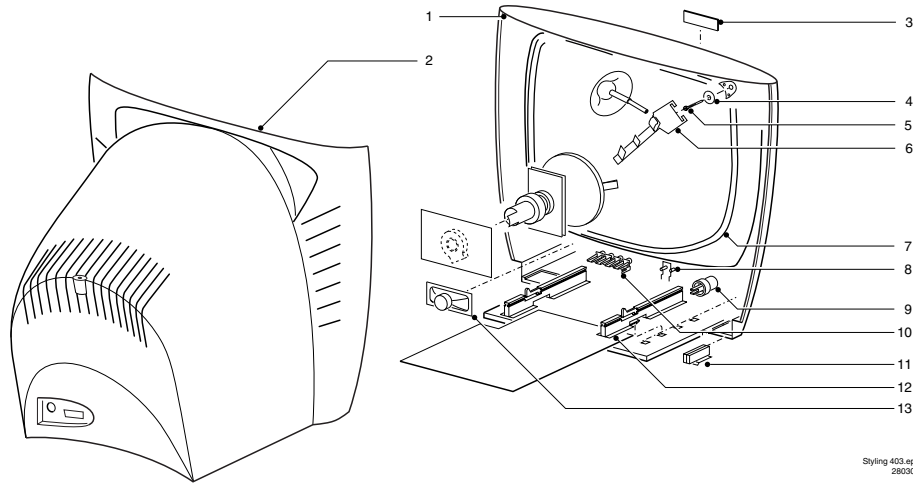
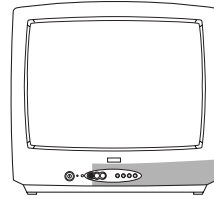
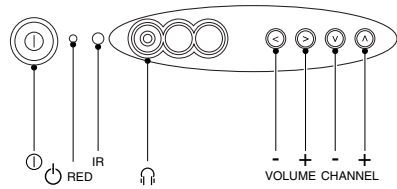
STYLING 401b



STYLING 401b.dwg
05/2004

Styling 401a (continued)			Styling 401b		
29	3135 034 01791	Retainer screen vertical	1	3135 010 02971	Screw (lens to coupler)
29d*	3135 034 04091	Retainer screen vertical	2	3135 034 00731	Lens C-element green
29e*	3135 034 04101	Retainer screen vertical	2	3135 034 00721	Lens C-element red-blue
29g*	3135 034 03311	Retainer screen vertical	3	3135 013 02632	Seal lens
30	3135 037 50651	Baffle speaker grill (Baffle assy)	4	3135 010 02981	Screw
30d*	3135 037 53851	Baffle speaker grill (Baffle assy)	5	3135 014 02681	Cap coupler
30e*	3135 037 53781	Baffle speaker grill (Baffle assy)	6	4822 418 10413	Expansion diaphragm
31	3135 050 00151	Word mark	7	3135 011 04271	Coupler red-blue
31deg*	3135 030 00471	Word mark	7	3135 011 04281	Coupler green
32abcdg*	2422 264 00452	Loudspeaker tweeter	8	4822 532 13123	Seal CRT
33	3135 037 50692	Cabinet assy	9	9322 173 22682	Picture tube P16LTG00RFA
33d*	3135 037 53831	Cabinet assy	9	9322 173 21682	Picture tube P16LTG00HHA
33e*	3135 037 53922	Cabinet assy	9	9322 173 23682	Picture tube P16LTG00BMB
33g*	3135 037 52425	Cabinet assy	10	3135 011 02371	Bracket CRT
38	3135 013 02761	Baffle mounting cup	11	4822 492 11733	Spring
40	3135 014 03461	Mirror bracket	12	3135 010 08101	Screw
40	3135 014 03451	Mirror bracket	13	3135 014 02811	CRT pad
40	3135 014 03471	Mirror bracket	14	4822 530 10519	O-ring
	3135 034 00911	Cabinet foot	15	4835 432 17791	Plug vent
	3135 014 10062	PIP frame		4822 310 67032	Cooling fluid
	3135 014 10361	Housing vacation switch			
*a	55PP8620/69				
*b	55PP8620/79				
*c	55PP8620/93				
*d	55PP8741/93				
*e	50PP8541/93				
*f	50PP8421/69				
*g	55PP8621/61				

STYLING 403

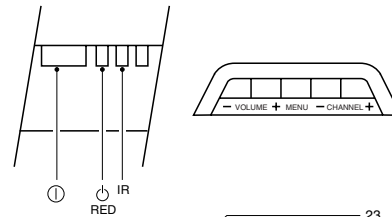


Styling 403.eps
280303

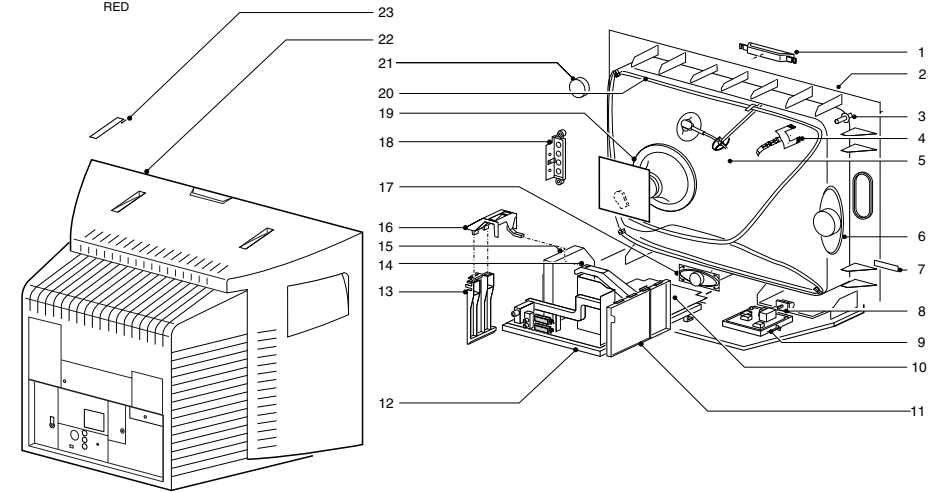
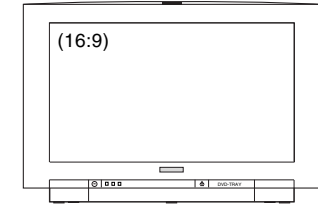
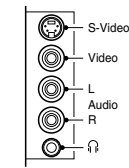
1a*	9051 101 42880	Cabinet	0676 000 02181	Rod antenna 14"
1b*	9051 101 42900	Cabinet		
1cd*	9051 122 03050	Cabinet		
1e*	9051 101 42930	Cabinet		
2a*	9051 101 41600	Rear cover	*a	14PT1347/01, 14PT1547/01
2b*	9051 001 41830	Rear cover	*b	14PT1347/05, 37TA1437/03
			*c	20PT1547/01
			*d	20PT1547/05
			*e	37TB1237/19
2cd*	9051 120 07400	Rear cover		
3	0134 660 61870	Word mark PHILIPS 14"		
3	0134 660 61820	Word mark PHILIPS 20"		
4		Not applicable		
5	0156 112 32130	CRT screw 14"		
5	0156 112 32140	CRT screw 20"		
6	0050 020 00240	Degaussing coil bracket		
7	6085 800 03600	Degaussing coil 14"		
7	6085 800 03410	Degaussing coil 20"		
8	0050 150 23200	Window 14"		
8	0050 150 23220	Window 20"		
9	9051 182 02680	Mains knob 14"		
9cde*	9051 182 02540	Mains knob 20"		
10	9051 182 02690	Control knob 14"		
10cde*	9051 182 02520	Control knob 20"		
11	0054 150 22960	Mains cord relief		
12	9051 100 02630	Chassis guide right		
12	9051 100 02640	Chassis guide left		
13	6103 081 70011	Loudspeaker 16Ω 4W 50x90mm		
	0703 621 10151	Picture tube A33EK02X01		
	0705 121 12191	Picture tube A48EK02X01		
	0676 000 02161	Loop antenna 14"		

STYLING 404

FRONT + TOP CONTROL



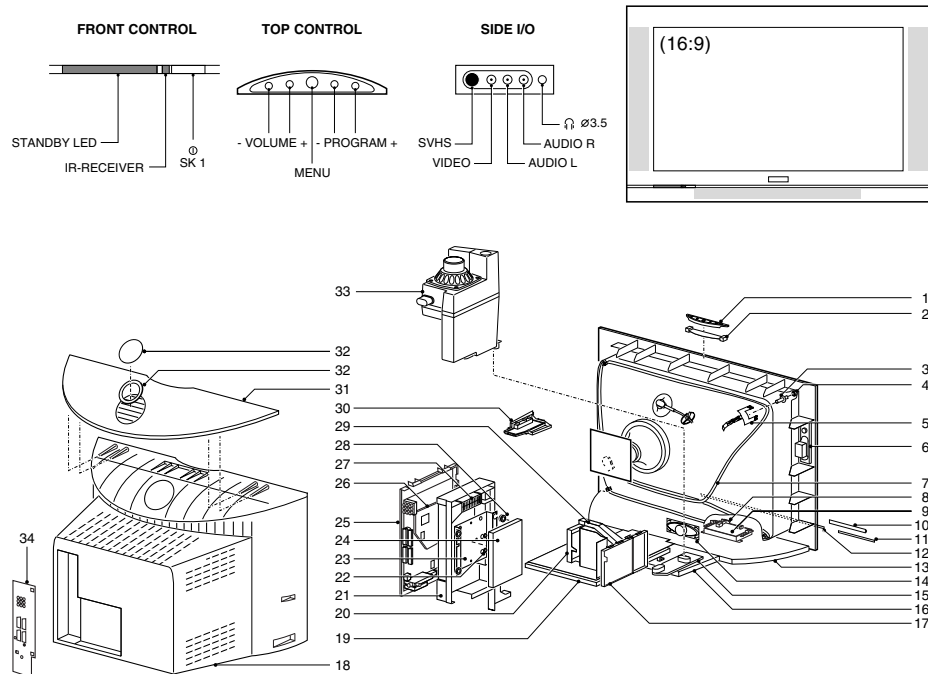
SIDE I/O



STYLING 404.eps
040804

1	3139 187 22921	Top control assy	15	3104 301 24221	Shielding cover SSB (Z-side)
2a*	3104 328 23791	Cabinet assy	16	3104 304 24153	SSB top support bracket
2b*	3104 328 23921	Cabinet assy	17	3139 128 76581	Loudspeaker (centre)
2c*	3104 328 23931	Cabinet assy	18	3139 177 25701	Side I/O assy
3a*	3111 250 40031	CRT screw			
3b*	3104 308 74042	CRT screw			
4a*c*	4822 404 31289	Bracket fix deg. coil short (2x)	18	3139 124 32522	Side I/O panel bracket
4b*	3104 304 21092	Bracket fix deg. coil short	19	3104 304 21032	Rotation coil bracket
4a*	4822 403 70906	Bracket fix deg. coil long (2x)	20a*	2422 549 44244	Degaussing coil
4b*	3104 304 21092	Bracket fix deg. coil short	20b*	2422 549 44242	Degaussing coil
5a*	9301 895 00306	Picture tube W76ERF052X044	20c*	2422 549 44621	Degaussing coil
			21	3104 304 25691	Cover tweeter hole
5a*	9301 880 70301	Picture tube W76ERF042X044	22a*	3104 308 10111	Rear cover assy
5a	9322 173 93682	Picture tube W76EKW 10X73	22b*	3104 308 10141	Rear cover assy
5b*	3104 300 53031	Picture tube W86LPX955X + yoke	22c*	3104 308 10151	Rear cover assy
5c*	9301 899 90301	Picture tube W66ERF042X044	23	3139 124 40421	Screw cap rear cover
6	3139 128 76081	Loudspeaker (Left/Right)			
7a*c*	3104 300 12031	Word mark	4622 009 50491		Mains cord (/05)
			4822 321 11499		Mains cord (/12)
			3104 304 20182		Mains cord holder
			3128 147 14861		Remote control RC2080/01
7b*	3104 300 11991	Word mark			
8	3139 177 55091	Mains knob assy	*a	32PW9308/xxx	
9	3139 124 32521	Front interface bracket	*b	36PW9308/xxx	
10	3104 304 23041	DAF/DC-shift panel bracket	*c	28PW9308/xxx	
11	3104 304 23062	Connecting part EMGS			
12	3104 304 23001	LSP bracket			
13	3104 304 24141	SSB bottom support bracket			
14	3104 304 24132	LOT support bracket			
15	3104 301 24191	Shielding frame SSB (A-side)			
15	3104 301 24201	Shielding frame SSB (Z-side)			
15	3104 301 24211	Shielding cover SSB (A-side)			

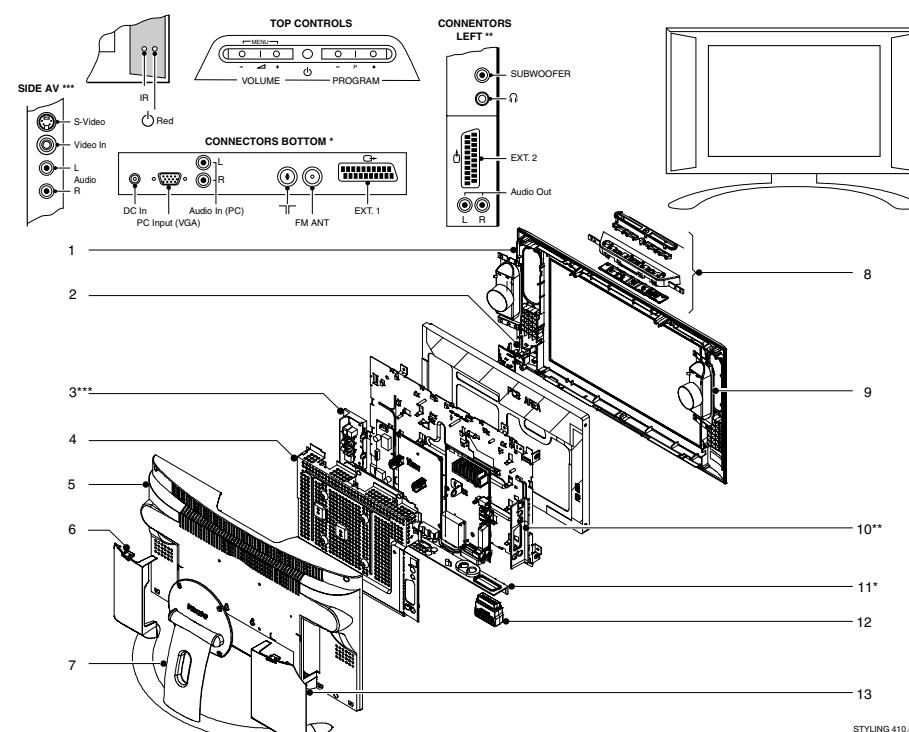
STYLING 406



STYLING 406.eps
040604

1	3104 307 98241	Top control keypad	26	3104 301 24221	Shielding cover SSB (Z-side)
2	3104 304 23431	Top control bottom	27	3104 304 25122	rubber fan
3	4822 404 31294	Insert (VP19000)	27	3104 031 00014	Fan
4	4822 502 21359	Picture tube screw	28	3104 304 25111	Grommet
5	3104 304 21091	Bracket fix deg. coil short (4x)	29	3104 304 24131	Bracket LOT-support
6	2422 264 00429	L/R loudspeaker (2x)	30	3104 328 26751	Side I/O assy
7a*c*e*	3104 308 20401	Degaussing coil	30	3104 304 23481	Side I/O bracket
7b*	2422 549 44921	Degaussing coil	31-32a*c*e*	3104 307 98642	Top cover assy (incl. disc)
8	3104 307 97621	Mains switch knob	31-32b*	3104 307 98652	Top cover assy (incl. disc)
9	3104 304 23471	Bracket Mains Switch panel	31-32d*	3104 307 98632	Top cover assy (incl. disc)
10	3104 304 23461	Light guide	32	3104 308 78201	Rubber earring
11	3104 304 23621	Deco strip left	32	3104 304 24002	Flying saucer
12	3104 304 23631	Deco strip right	33	3104 130 01981	Subwoofer box
13a*c*	3104 328 24983	Cabinet assy	34	3104 304 24951	Cover plate SCART3/wireless
13b*	3104 328 24973	Cabinet assy			
13d*	3104 328 24992	Cabinet assy	3104 300 12311	Matchline emblem	
13e*	3104 328 26743	Cabinet assy	3104 300 12241	Word mark PHILIPS	
14	2422 264 00431	Centre loudspeaker (1x)	3104 304 21032	Bracket Rotation coil	
15	3104 304 24241	Bracket Subwoofer support	3128 138 60661	Rotation coil	
16	3104 304 23501	Bottom plate	9322 173 93682	Picture tube W76EKW10X73	
17	3104 304 23041	Bracket DAF/DC-shift panel	b*	9301 899 90301	Picture tube W66ERF042X044
18a*c*e*	3104 307 99661	Rear cover assy	a*c*e*		Picture tube W86LPX955X + yoke
18b*	3104 308 10041	Rear cover assy	d*	3104 300 50301	Remote control RC4301/01
18d*	3104 308 10051	Rear cover assy			Mains cord (/05)
19	3104 304 23003	Frame for LSP	3128 147 14411	Mains cord (/12, /58)	
20	3104 304 24951	Bracket Auto Scavem	4622 009 50491	Mains cord holder	
21	3104 304 24982	HD Bracket	4622 009 50511		
22	3104 304 26182	Grommet	3104 304 20182		
23	3104 301 62353	HD Support			
24	3104 301 24232	Shielding plate	*a	32PW9816/xxx	
25	3104 304 24141	Bracket SSB	*b	28PW9618/xxx	
26	3104 301 24191	Shielding frame SSB (A-side)	*c	32PW9618/xxx	
26	3104 301 24201	Shielding frame SSB (Z-side)	*d	36PW9618/xxx	
26	3104 301 24211	Shielding cover SSB (A-side)	*e	32PW9768/xxx (HDD)	

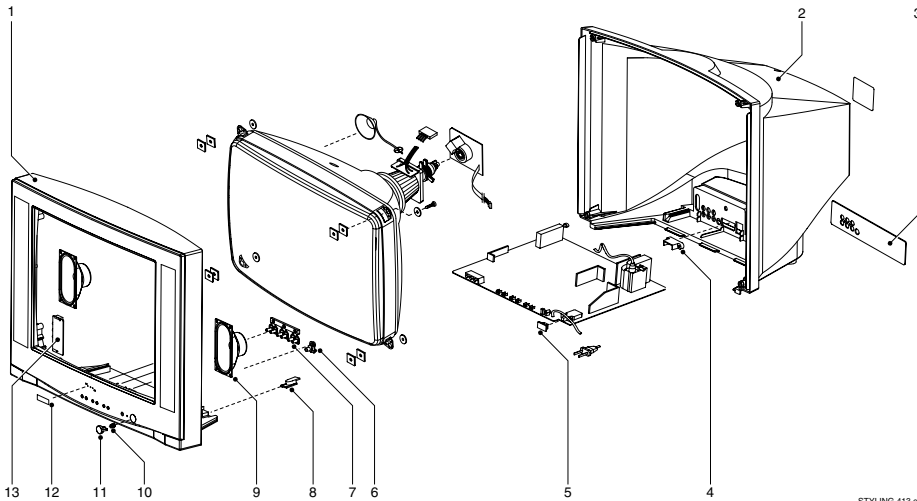
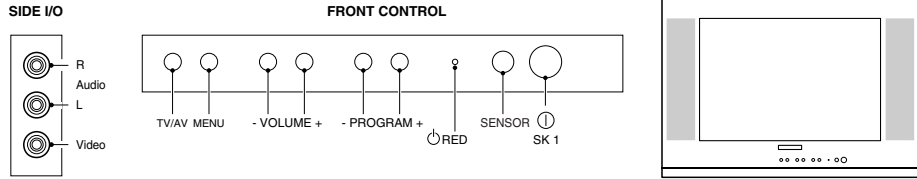
STYLING 410



STYLING 410.eps
010403

1a*	3111 257 59421	Cabinet 15"		
1b*	3111 257 59881	Cabinet 15"	3139 128 76811	Voltage adaptor AC/DC 12V
1c*	3111 257 59431	Cabinet 17"	3128 147 14871	Remote control RC19042008/01
1de*	3111 257 59891	Cabinet 17"		
2	3139 124 43391	Light guide (LCD LENS)	9322 187 14682	TFT-LCD screen 15" / LC151X01-C3P1
3	3139 177 55321	Side AV connector plate	9322 196 31682	TFT-LCD screen 15" / LC150X01-A3
4ace*	3139 121 27281	Main shield	9322 187 15682	TFT-LCD screen 17" / LM171W01-B3
4bd*	3139 121 27631	Main shield		
5a*	3111 257 59451	Rear cover 15"	9322 196 32682	TFT-LCD screen 17" / LC171W03-A4
5b*	3111 257 59901	Rear cover 15"		
5c*	3111 257 59461	Rear cover 17"	*a	15PF9936, 15HF9936
5de*	3111 257 59911	Rear cover 17"	*b	15PF9936/xxl
6a*	3139 177 55191	Side connector cover right 15"	*c	17PF9945
6b*	3139 177 69241	Side connector cover right 15"	*d	17PF9945/xxl
6ce*	3139 177 55171	Side connector cover right 17"	*e	17HF9945
6d*	3139 177 69271	Side connector cover right 17"		
7	3139 128 76731	Stand		
8ace*	3139 187 28901	Top control		
8bd*	3139 177 74561	Top control		
9	2422 264 00465	Loudspeaker 16Ω 10W		
10ab*	3139 177 59701	Connector cover left 15"		
10cde*	3139 177 55341	Connector cover left 17"		
11	3139 177 55331	Bottom connector plate		
12	3139 128 76871	Scart adaptor		
13a*	3139 177 55181	Side connector cover left 15"		
13b*	3139 177 69251	Side connector cover left 15"		
13c*	3139 177 55161	Side connector cover left 17"		
13d*	3139 177 69261	Side connector cover left 17"		
	3139 120 01511	Word mark		

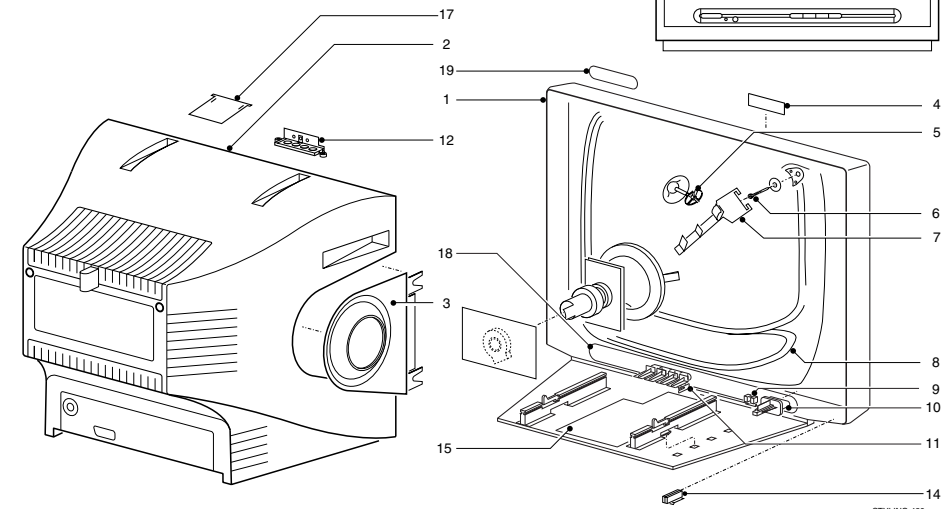
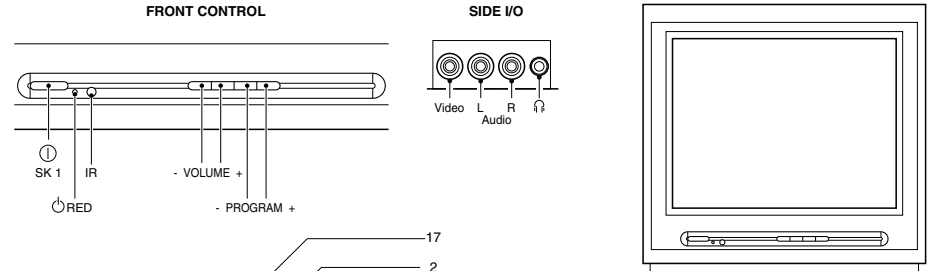
STYLING 413



STYLING 413.eps
050404

1a*	9965 000 14946	Cabinet	acdf*	9965 000 14950	Holder mains cord
1b*	9965 000 23466	Cabinet	be*	9965 000 23469	Holder mains cord
1c*	9965 000 17925	Cabinet	abc*	9965 000 14948	Window
1d*	9965 000 15425	Cabinet	d*	9965 000 15430	Window
1e*	9965 000 23500	Cabinet	ef*	9965 000 17983	Window
1f*	9965 000 17978	Cabinet	-	9965 000 15210	FBT supporter
2a*	9965 000 14906	Rear cover	ac*	9965 000 14942	Picture tube 37SX110Y22-DC05
2b*	9965 000 15205	Rear cover	b*	9965 000 23471	Picture tube A34KPU02XXE6-N
2c*	9965 000 17935	Rear cover	df*	9965 000 17980	Picture tube A51JSY63X13
2d*	9965 000 15400	Rear cover	e*	9965 000 23503	Picture tube A51QAE320XA5
2e*	9965 000 17960	Rear cover	a*	9965 000 14940	Degaussing coil 14"
2f*	9965 000 17986	Rear cover	bc*	9965 000 17927	Degaussing coil 14"
3b*	9965 000 23472	Inlay rear AV	d*	9965 000 15420	Degaussing coil 21"
3e*	9965 000 23504	Inlay rear AV	ef*	9965 000 17979	Degaussing coil 21"
5acd*	9965 000 14951	Adapter for mains switch	a*	9965 000 14904	Side AV assy
5be*	9965 000 23470	Adapter for mains switch	b*	9965 000 23474	Side AV assy
5f*	9965 000 17919	Adapter for mains switch	-	9965 000 23467	Inlay side AV
7a*	9965 000 14946	Control knobs	c*	9965 000 17921	Side AV assy
7bc*	9965 000 17930	Control knobs	e*	9965 000 15395	Side AV assy
7d*	9965 000 15429	Control knobs	f*	9965 000 23506	Side AV assy
7ef*	9965 000 17982	Control knobs	*a	14PT2010	
9ab*	9965 000 14941	Loudspeaker 16Ω 5W 50x90mm	*b	14PT2014	
9c*	9965 000 17928	Loudspeaker 16Ω 3W 50x90mm	*c	14PT2110	
9df*	9965 000 15421	Loudspeaker 8Ω 6W 50x120mm	*d	21PT2010	
9e*	9965 000 23499	Loudspeaker 16Ω 5W 50x120mm	*e	21PT2014	
10ac*	9965 000 14953	Spring for mains knob	*f	21PT2110	
10b*	9965 000 23468	Spring for mains knob			
10df*	9965 000 15435	Spring for mains knob			
10e*	9965 000 23502	Spring for mains knob			
11a*	9965 000 14949	Mains knob			
11bc*	9965 000 17931	Mains knob			
11d*	9965 000 15431	Mains knob			
11ef*	9965 000 17984	Mains knob			
12abc*	9965 000 17933	PHILIPS emblem			
12def*	9965 000 17985	PHILIPS emblem			

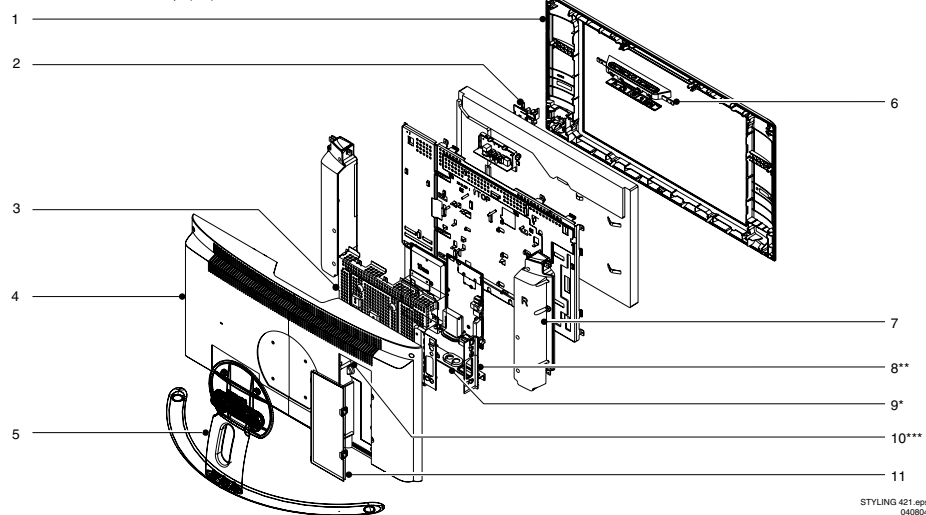
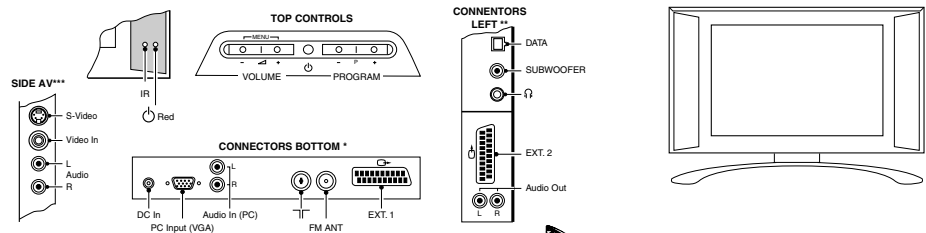
STYLING 420



STYLING 420.eps
050804

1a*	3111 257 59831	Cabinet 15" silver	8f*	2422 549 45514	Degaussing coil 21"
1b*	3111 257 59821	Cabinet 15" blue	9ab*	3139 124 47031	Light guide 15"
1cd*	3139 177 56661	Cabinet 21"	9cde*	3139 124 44271	Light guide 21"
1e*	3139 177 63491	Cabinet 21" hotel	10ab*	3139 177 69981	Mains knob 15"
1f*	3127 104 01011	Cabinet 21"	10cdef*	3139 177 56621	Mains knob 15"
2a*	3111 257 59871	Rear cover 15" silver	11ab*	3139 177 69991	Control knobs 15"
2b*	3111 257 59861	Rear cover 15" blue	11cdef*	3139 177 56631	Control knobs
2c*	3111 257 59591	Rear cover 21" (1 Scart)	12cdef*	3139 124 44371	Side AV bracket (stereo)
2d*	3111 257 59621	Rear cover 21" (2 Scart)	12a*	3139 124 47221	Side AV bracket
2e*	3111 257 59631	Rear cover 21" (hotel)	12b*	3139 124 47211	Side AV bracket
2f*	3127 107 50031	Rear cover 21"	13	3139 124 34092	Chassis guide (right)
3a*	3139 177 71621	Speaker bracket silver	14	3104 304 14765	Mains cord holder
3b*	3139 177 71541	Speaker bracket blue	15	3139 124 33341	VO plate
3c*	3139 177 56741	Speaker bracket 21"	17	3139 124 39161	PV2 TOP VO PLATE
3f*	3139 124 44291	Speaker bracket 21"	18a*	3139 177 71561	Front lens
3ab*	2422 264 00407	Loudspeaker 16Ω 8W	18b*	3139 177 71551	Front lens
3c*	2422 264 00414	Loudspeaker 8Ω 8W 21"	19e*	313917763481	Clock lens
3def*	2422 264 00398	Loudspeaker 16Ω 5W 21"		3138 101 66552	CRT plate
4a*	3139 120 01641	Word mark	ab*	9322 191 16682	Picture tube 15" A36AKJ15X07
4b*	3139 120 01631	Word mark	cf*	9301 923 50342	Picture tube 21"
4cdef*	3111 250 01001	Word mark silver frost 21"		A51ERF135X12	
5ab*	3111 254 23481	EHT clamp 15"		3111 257 56161	Rod antenna
5cdef*	3111 254 23481	EHT clamp 21"		2422 070 98089	Mains cord EU
6	3139 120 41471	CRT fixing screw	*a	15PT2967/xxS	*d21PT5457
6	3138 101 63952	CRT mounting washer	*b	15PT2967/xxB	*e21HT5504
7ab*	3119 104 18247	Degaussing coil bracket 15"	*c	21PT1967	*f21PT5409/01
7cde*	3139 124 33472	Degaussing coil bracket 21"			
8ab*	2422 549 44844	Degaussing coil 15"			
8cde*	2422 549 44669	Degaussing coil 21"			

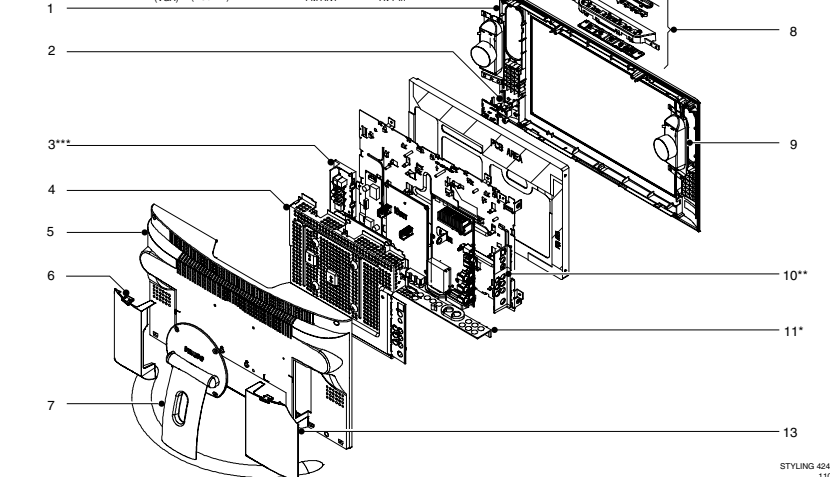
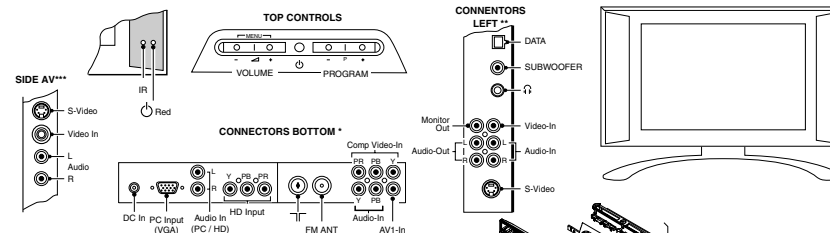
STYLING 421



STYLING 421.aps
040904

1	3111 257 59441	Cabinet 23"
1b*	3139 177 60881	Cabinet 23"
2	3139 124 43391	Light guide
3	3139 121 27281	Main shield
3b*	3139 121 28002	Main shield
4	3111 257 59471	Rear cover 23"
4b*	3139 177 53791	Rear cover 23"
5	3139 128 76741	Stand
6	3139 177 81421	Top control
7	3139 128 76781	Loudspeaker left
7	3139 128 76791	Loudspeaker right
7b*	3139 128 76782	Speaker assy left
7b*	3139 128 76791	Speaker assy right
8	3139 177 55341	Connector cover left
9a*	3139 177 64441	Bottom connector plate
10	3139 177 55321	Side AV connector plate
11	3139 177 55141	Connector cover
	3139 128 76871	Scart adaptor
	3139 120 01561	Word mark
	3139 128 76771	Voltage adaptor AC/DC 24V
	3128 147 14871	Remote control RC19042008/01
	9322 194 30682	TFT-LCD screen LC230W01
	9322 207 27682	TFT-LCD screen QD23W104
*a	23PF9945/12/58	
*b	23PF9945/12A	

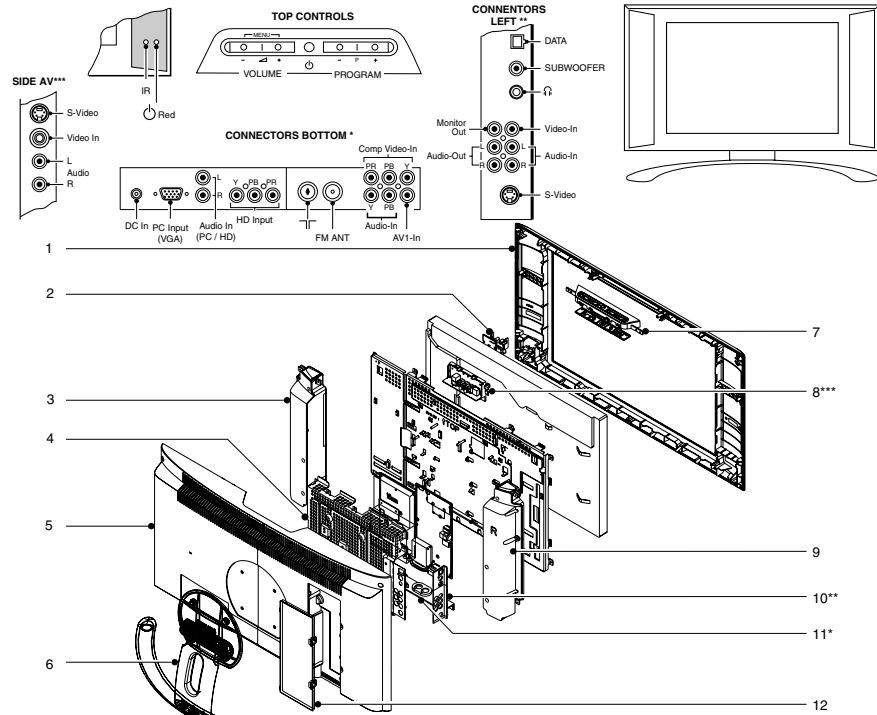
STYLING 424



STYLING 424.aps
110603

1a*	3139 177 60901	Front cabinet 15" (/69)	13bc*	3139 177 55161	Side connector cover 17" Left (/37, /69, /61 & /78) – TN LCD panel
1a*	3139 177 69301	Front cabinet 15" (/69)	13bcg*	3139 177 69261	Side connector cover 17" Left (/37, /69, /61, /69S, /61S & /78) IPS LCD panel
1ad*	3139 177 52761	Front cabinet 15" (/61, /37 & /78) – TN LCD panel	ade*	9322 187 14682	LCD panel LC151X01-C3P1 (15" TN type)
1a*	3139 177 75351	Front cabinet 15" (/61, /69S & /61S)	ad*	9322 196 31682	LCD panel LC151X01-A3 (15" IPS type)
1ad*	3139 177 70781	Front cabinet 15" (/37 & /78) – IPS LCD panel	bcf*	9322 187 15682	LCD panel LM171W01-B3 (17" TN type)
1e*	3139 177 69931	Front cabinet 15" (/35)	bcg*	9322 196 32682	LCD panel LC171W03-A4 (17" IPS type)
1b*	3139 177 60891	Front cabinet 17" (/69 & /69)		3139 120 01511	Word mark PHILIPS (15"/17")
1bcf*	3139 177 60891	Front cabinet 17" (/37, /69S, /61S & /61)		3139 128 76811	AC/DC voltage adaptor 12V
1b*	3139 177 52911	Front cabinet 17" (/61 & /78)		3128 147 14881	Remote control RC19041006/01 (/61, /35, /37 & /78)
1g*	3141 047 69731	Front cabinet 17" (/37)		3139 238 03811	Remote control RC19041006/01 (/61, /35, /37 & /78)
2	3139 124 43391	Light guide		4822 303 50063	FM Radio antenna (/69)
3	3139 177 55321	Side AV bracket		3139 131 02781	FM Radio antenna (/61, /35, /37 & /78)
5ade*	3139 177 52811	Rear cover 15" (/37, /69 & /61) – TN LCD panel		2422 076 00527	TV antenna cable IEC (/69)
5ad*	3139 177 69291	Rear cover 15" (/69, 61, /69S, /61S & /37) – IPS LCD panel		2422 076 00526	TV antenna cable F-pin (/61, /35, /37 & /78)
5bcf*	3139 177 52881	Rear cover 17" (/37, /69 & /61) – TN LCD panel	*a	15PF9936	<p>Note:</p> <p>17HF9945 There are two types of LCD panel used in NAFTA & Latam that the type nos. are the same. Therefore, in order to identify which type no is using which LCD panel, look at the production code of the set (normal pasted behind of rear-coverB200 or SV00 then it is using TN-type. If not,)g17PF9946A then IPS-type is used</p>
5bcg*	3139 177 69281	Rear cover 17" (/69, 61, 69S, 61S & /37) – IPS LCD panel	*b	17PF9945,	
6ade*	3139 177 55191	Side connector cover 15" Right (/37, /69, /61 & /78) – TN LCD panel	*c	17PF9936	
6ad*	3139 177 69241	Side connector cover 15" Right (/37, /69, /61, /69S, /61S & /78) – IPS LCD panel	*d	15PF9945	
6bcf*	3139 177 55171	Side connector cover 17" Right (/37, /69, /61 & /78) TN LCD panel	*e	15FT9955	
6bc*	3139 177 69271	Side connector cover 17" Right (/37, /69, /61, /69S, /61S & /78) IPS LCD panel	*f	17FW9955	
6e*	3139 177 55321	Side connector cover 15" Right (/35)			
7	3139 128 76731	Metal stand			
7g*	3139 128 77161	Metal stand			
8	3139 177 74571	Top control			
8g*	3139 188 51511	Top control			
9	2422 264 00465	Loudspeaker 16Ω 10W			
10	3139 177 55311	AV connector plate (TV board)			
10ef*	3139 177 55321	AV connector plate (TV board)			
11	3139 177 75971	Bottom connector plate			
11ef*	3139 177 55471	Bottom connector plate			
13ad*	3139 177 55181	Side connector cover 15" Left (/37, /69, /61 & /78) TN LCD panel			
13ad*	3139 177 69251	Side connector cover 15" Left (/37, /69, /61, /69S, /61S & /78) IPS LCD panel			
13e*	3139 177 55161	Side connector cover 15" Left (/35)			

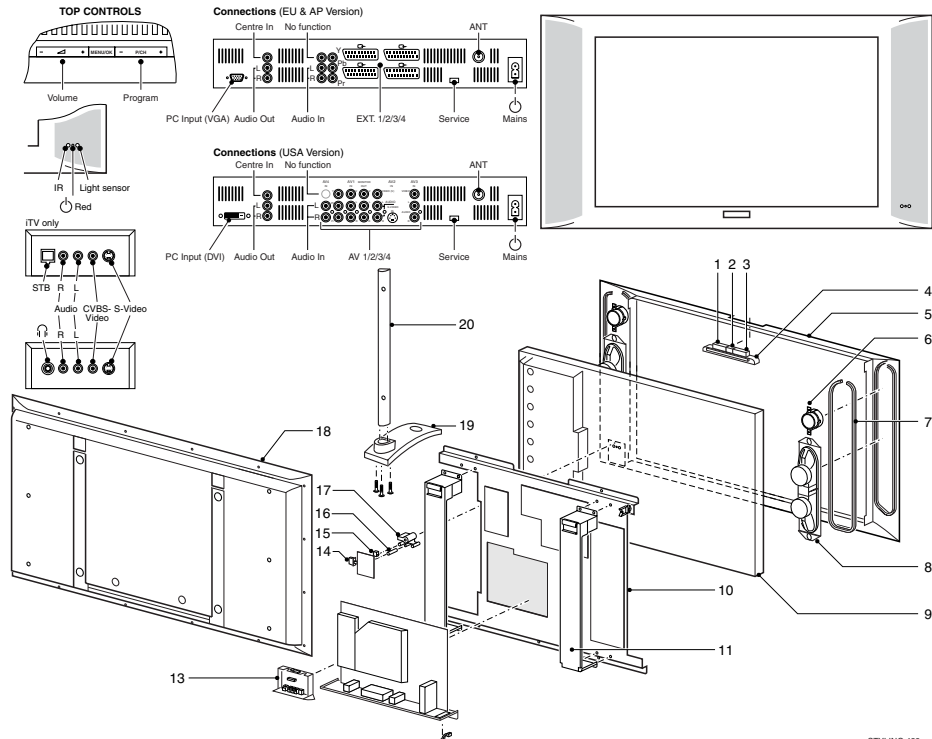
STYLING 427



STYLING 427.69S
160603

1ab*	3139 177 60881	Front cabinet 23" (/69)	acd*	2422 076 00526	TV antenna cable F-pin /61, /35, /37 & /78)
1acd*	3139 177 53801	Front cabinet 23" (/61, /35, /37, /69S)	b*	2422 070 98262	Mains cord
2	3139 124 43391	Light guide	cd*	2422 070 98223	Mains cord
3	3139 128 76781	Speaker box Left	*a	23PF9945	
5	3139 177 53791	Rear cover 23"	*b	23HF9945	
6	3139 128 76741	Metal stand 23"	*c	23FW9955	
6d*	3139 128 77151	Metal stand 23"	*d	23PF8946A	
7	3139 177 74571	Top control assy			
8	3139 177 55321	Side AV bracket			
9	3139 128 76791	Speaker box Right			
10	3139 177 55311	AV connector plate (TV board)			
11	3139 177 75971	Bottom connector plate			
12	3139 177 55141	Rear AV cover			
	9322 194 30682	LCD panel LC230W01 – IPS type			
	3139 120 01561	Word mark PHILIPS			
d*	Not applicable	Word mark			
	3139 128 76771	AC/DC voltage adaptor 24V (caution: not compatible for 15" & 17")			
	3128 147 14881	Remote control RC19042009/01 (/69)			
acd*	3139 238 03811	Remote control RC19041006/01 (/61, /35, /37)			
	4822 303 50063	FM Radio antenna (/69)			
acd*	3139 131 02781	FM Radio antenna (/61, /35, /37 & /78)			
	2422 076 00527	TV antenna cable IEC (/69)			

STYLING 429

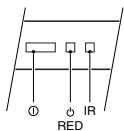


STYLING 429.69S
141003

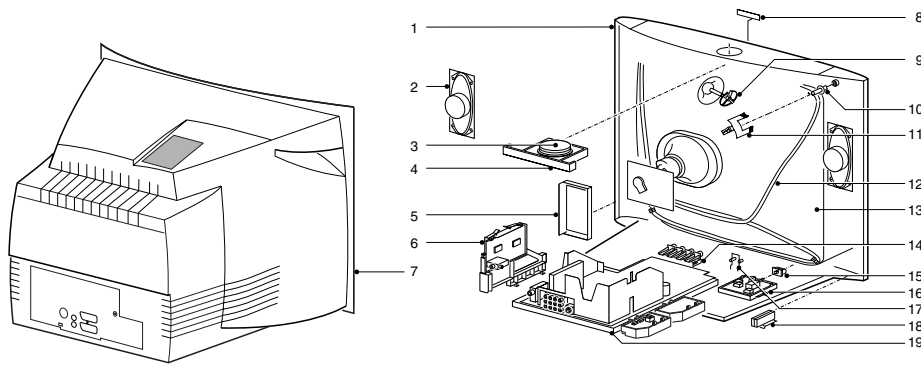
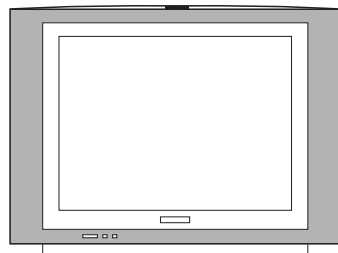
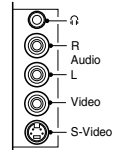
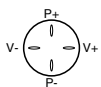
1	3104 308 10551	Knob right (program)	cfi*	3104 328 28012	Mounting kit
2	3104 308 10571	Knob middle (menu)	bde*	2422 070 98251	Mains cord
3	3104 308 10561	Knob left (volume)	ad*	2422 070 98259	Mains cord
4	3104 304 25831	Frame top control			
5abceh	3104 328 26183	Front assy	chi*	2422 070 98208	Mains cord
			ed*	2422 070 98146	Mains cord
5dfi*	3104 328 26192	Front assy	ed*	2422 070 98148	Mains cord
5g*	3104 328 31041	Front assy		3104 301 24221	Cover Z-side HDH EU
6	2422 264 00432	Loudspeaker tweeter		3104 301 24461	Cover A-side low SSB
7	3104 303 10791	Loudspeaker foam			
8	3104 308 78431	Loudspeaker 8Ω 15W full range		3104 301 24201	Frame Z-side HDH
				3104 301 24451	Frame A-side low SSB
				3104 301 24471	Frame Z-side VGA EPLD LCD
9	9322 198 00682	TFT-LCD Panel LC300W01-A3P7		3128 147 14411	Remote control RC4301/01
				3128 147 14461	Remote control RC4305/01
9g*	9322 206 49682	TFT-LCD Panel T296XW01			
10	3104 328 27531	Chassis frame	*a	30PF9975/12	
11	3104 308 10621	Wall mount bracket	*b	30PF9975/05	
12	3104 311 06181	Mains inlet	*c	30PF9975/17	
			*d	30HF9975/12, 30HF9975/12Z, 30HF9975/69	
13abceh*	3104 308 10671	Bracket side I/O	*e	30PF9975/69	
13dfi*	3104 308 11401	Bracket side I/O	*f	30FW9975/35	
14	3122 128 13901	Mains knob	*g	30PF9975/12A	
14dhi*	3104 308 11271	Mains knob	*h	30PF9975/77, 30PF9975/78	
15	3122 124 36081	Day light filter	*i	30FW9955/35	
16	3122 124 36271	LED light guide cover			
17	3122 124 36071	Lens system			
18	3104 308 10521	Rear cover			
19	3104 308 11141	Stand foot			
20	3104 308 11151	Stand profile			
	3122 128 13701	Wall mount bracket			
abd*	3104 328 28001	Mounting kit			

STYLING 432

FRONT + TOP CONTROL



SIDE I/O

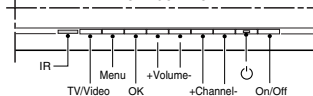


Styling 432.eps
250603

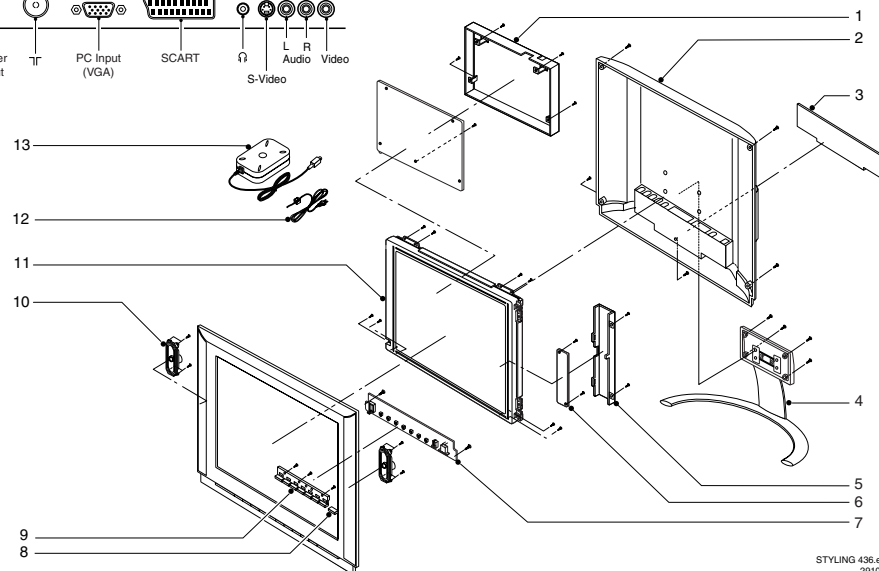
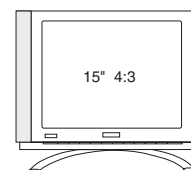
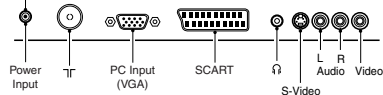
1acde*	3141 047 66001	Cabinet 29"	13gh*	9301 927 30542	Picture tube A80ERF042X15
1bi*	3141 057 65231	Cabinet 29"	13k*	9301 953 10542	Picture tube A80ERF142X14
1fgh*	3141 047 66361	Cabinet 34"	13lm*	9322 215 00682	Picture tube A68QCP693X001
1j*	3141 047 80831	Cabinet 34"	14	Not applicable	
1k*	3141 047 82981	Cabinet 34"	15abcdeijklm*	3139 138 14831	Mains knob
1lm*	3141 047 83131	Cabinet 29"	15fgh*	3139 124 30401	Mains knob
2abcdeilm*	2422 264 00379	Loudspeaker 8Ω 10W	16	3139 124 30431	Front interface bracket
2fgh*	2422 264 00444	Loudspeaker 8Ω 10W	17abcdeijklm*	3139 124 30411	Light guide
2j*	2422 264 00485	Loudspeaker 8Ω 15W	17fgh*	Not applicable	
3	3139 137 66921	Top control button	18	4822 404 31363	Main cord relief
4	3139 124 30381	Top control bracket	19	3139 124 33531	Chassis tray
5lm*	3139 124 39541	Side AV bracket	abclm*	3139 128 75211	Mains cord
5jk*	3139 124 60491	Side AV bracket (3P+HP+SV)	dh*	3139 128 75291	Mains cord
6	Not applicable		e*	3139 128 75230	Mains cord
7abcde*	3139 124 37231	Rear cover 29"	fg*	2422 070 98199	Mains cord
7fgh*	3139 124 44831	Rear cover 34"	*a	29PT4323/69S/56R	
7i*	3141 057 65241	Rear cover 29"	*b	29PT5307/60	
7j*	3139 124 60511	Rear cover 34"	*c	29PT4323/69R	
7lm*	3141 047 65241	Rear cover 29"	*d	29PT4323/71R	
8acde*	3141 050 00361	Word mark	*e	29PT4323/79R	
8bi*	3141 050 00291	Word mark	*f	34PT4323/56R	
8fgh*	Not applicable	Word mark	*g	34PT4323/69R	
8j*	3141 050 00281	Word mark	*h	34PT4323/71R	
9abcdelm*	3141 054 22011	EHT spacer	*i	29PT5307/60S	
9fghi*	4822 532 61201	EHT spacer	*j	34PT3224/93R	
10	4822 502 14602	CRT fixing screw	*k	34PT3225/93	
11fgh*	3141 054 22351	Corner coil bracket	*l	29PT4325/69	
11abcdeijklm*	Not applicable		*m	29PT4326/69	
12abcdilm*	3139 128 23781	Degaussing coil 29"			
12e*	4822 157 11551	Degaussing coil 29"			
12fgh*	3139 128 23821	Degaussing coil 34"			
12jk*	3104 308 20581	Degaussing coil 34"			
13abei*	9322 173 75682	Picture tube A68QCP893X001			
13cd*	9322 196 06682	Picture tube A68QDL281X062			
13fj*	9301 927 10542	Picture tube A80ERF042X14			

STYLING 436

FRONT CONTROL



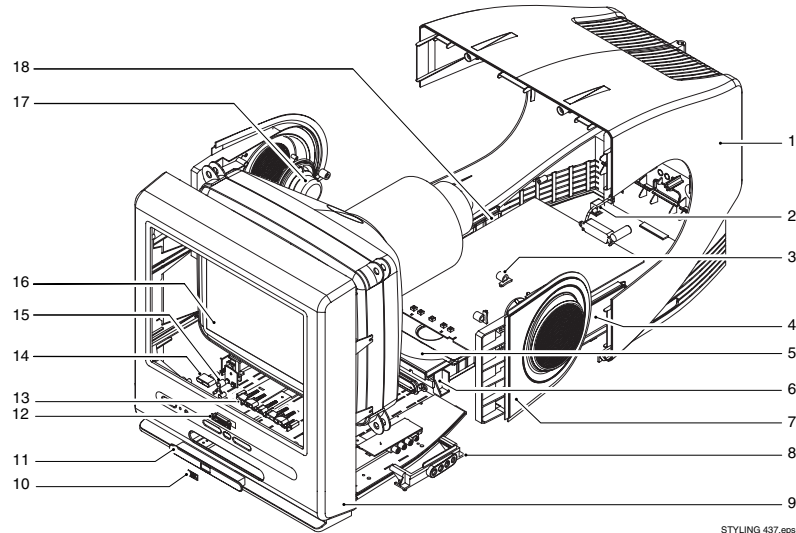
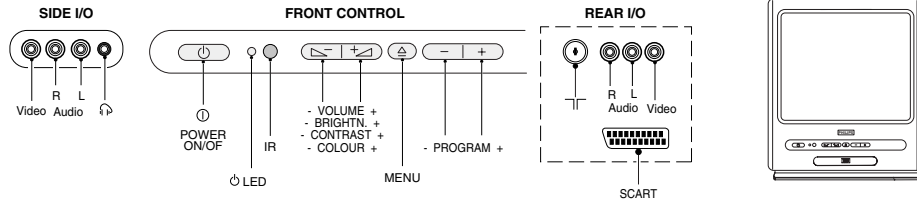
BOTTOM I/O



STYLING 436.eps
291003

1	9965 000 16423	Shielding cover
2	9965 000 16420	Rear cover
3	9965 000 16421	Cover rear A/V
4	9965 000 16516	Stand
5	9965 000 16426	Shield for inverter
6	9965 000 16425	Inverter for LC151X01-A3 panel
6	9965 000 17796	Inverter for LC151X01-C3P1 panel
7	9965 000 16424	Front control panel
8	9965 000 16419	Mains knob
9	9965 000 16417	Control knob assy
10	9965 000 16411	Loudspeaker
11	9965 000 16410	LC151X01-A3
11	9965 000 16743	LC151X01-C3P1
12	9965 000 14327	Mains cord
13	9965 000 16428	Adapter

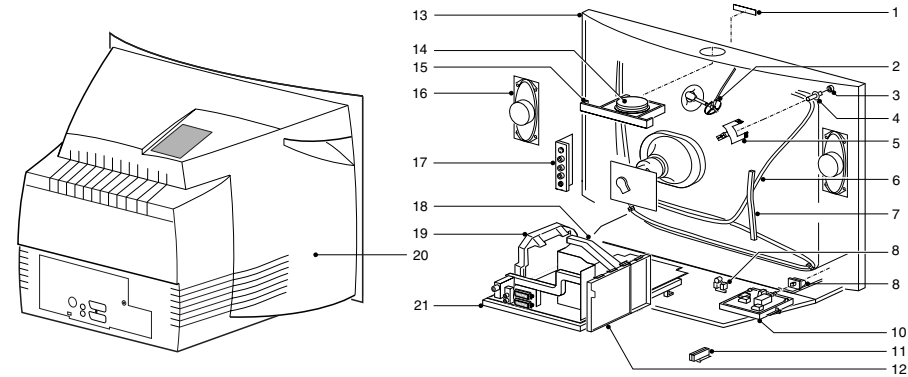
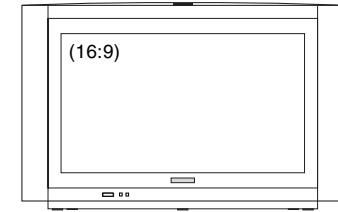
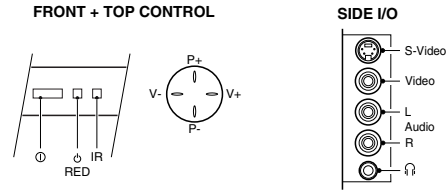
STYLING 437



STYLING 437.eps
291003

1	9051 101 51000	Rear cover
2	0054 150 20240	Mains cord relief
3	9051 120 07090	Holder for loudspeaker small
4	9051 100 02820	Chassis holder left
5	8411 400 15100	DVD loader
6	3990 000 02111	DVD mechanism
7	9051 020 07100	Holder for loudspeaker large
8	9051 130 08050	AV holder
9	9051 001 52000	Cabinet
10	0134 660 64370	Philips emblem DVD
11	9051 010 07230	DVD cover
12	0134 660 64360	Philips emblem
13	0051 170 00230	Knob assy
14	9051 082 02880	Mains knob
15	0050 150 23300	LED knob
16	0703 621 13001	Picture tube A36AKJ13X16
17	6103 081 70001	Loudspeaker
18	9051 100 02810	Chassis holder right

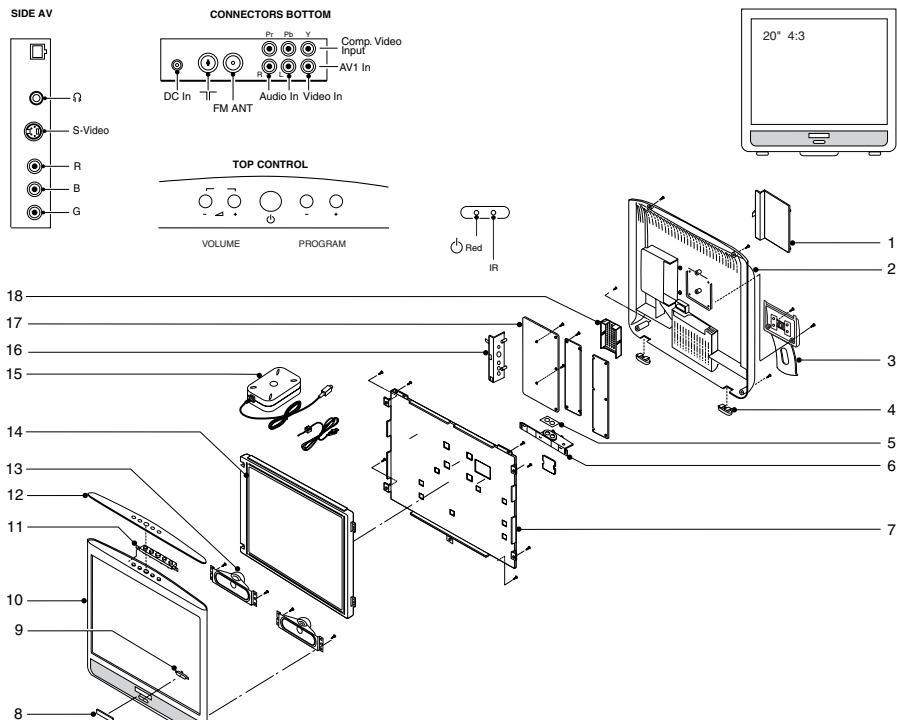
STYLING 439



Styling 439.eps
301003

1b*	3111 250 00811	Word mark 32"	16	3139 128 76202	Loudspeaker 8Ω 10W
1	4822 454 13455	Word mark 28"	16cd*	3139 128 76581	Loudspeaker 8Ω 15W
1cd*	3141 050 00291	Word mark 28"	17	3139 124 31651	Side I/O bracket
2	3111 254 23481	Coil & THT clamp	17d*	3139 124 31652	Side I/O bracket
3	Not applicable		18	3104 304 23011	LOT bracket
4bd*	4822 502 14602	CRT fixing screw 32"	19ab*	3139 124 46742	SSB bracket
4a*	4822 505 11195	CRT fixing screw 28"	20b*	3111 257 56681	Rear cover 32"
5	4822 403 70906	Fix degaussing coil	20	3111 257 56671	Rear cover 28"
5b*	4822 404 31289	Fix degaussing coil 32"	20c*	3139 124 32101	Rear cover 28"
6	2422 549 44244	Degaussing coil 32"	21	3104 304 23001	LSP bracket
6b*	4822 403 70906	Degaussing coil 28"	21d*	3104 304 23005	LSP bracket
6c*	2422 549 44621	Degaussing coil 28"		9301 899 90301	Picture tube 28"
7	4822 404 31341	Coil clamp			W66ERF042X044
7c*	4822 403 70906	Coil clamp	b*	9301 880 70301	Picture tube 32"
8	3139 124 33811	Light guide			W76ERF042X044
9	3139 124 33801	Mains knob cover	c*	2422 500 80063	Picture tube 28"
9	3139 124 33011	Mains knob shaft			W66ERF072X044
10	3139 124 32521	Front interface bracket	d*	9301 921 90314	Picture tube 32"
10d*	3139 124 30434	Front interface bracket			W76ERF072X044
11ab*	4822 466 11453	Mains cord relief		4822 321 11499	Mains cord
11c*	4822 401 11795	Mains cord relief		4822 321 11139	Mains cord
12	3104 304 23041	DAF bracket		3128 147 15231	Remote control RC19042011/01
13b*	3111 257 59981	Cabinet 32"	a*	28PW8609	
13	3111 257 59991	Cabinet 28"	b*	32PW8609	
13c*	3143 027 61131	Cabinet 28"	c*	28PW8609/12S	
			d*	32PW8609/12S	
13d*	3143 027 61121	Cabinet 32"			
14	3139 137 66921	Top control button			
15	3139 124 33941	Top control bracket			
16b*	2422 257 20547	Loudspeaker 8Ω 15W			

STYLING 446

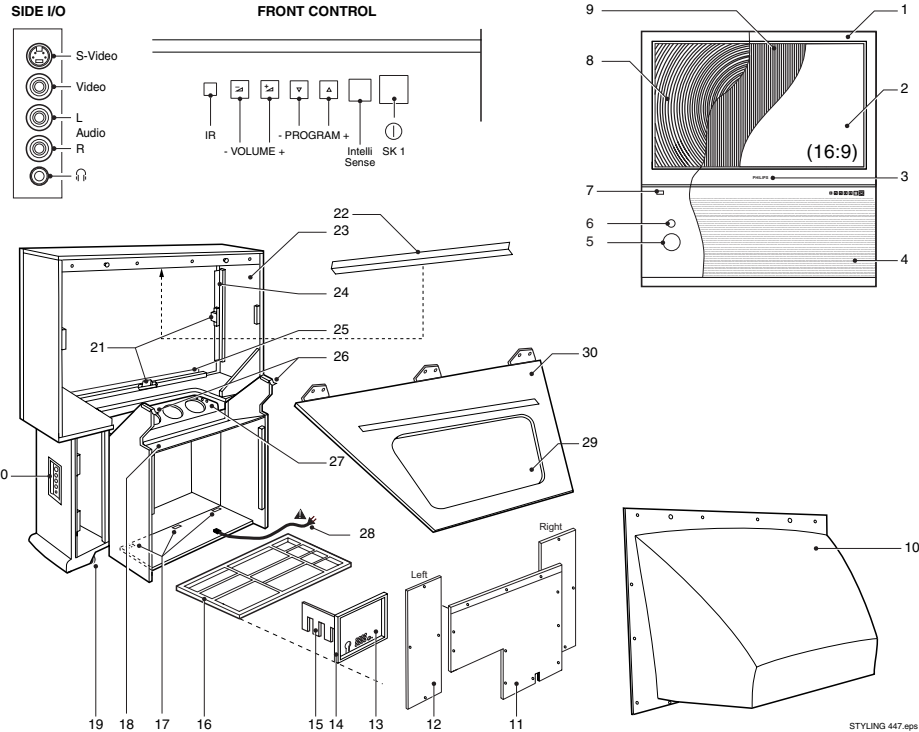


1	3139 124 46181	Side connector cove 20 LCS	16	3139 124 48291	Connector plate side 15/20LCS
1	3139 124 46191	Side connector cove 15 LCS			ITV
2	3139 177 67111	Rear cover 20LCS			
2	3139 177 67121	Rear cover 15LCS	17	Not applicable	
3	3139 128 76841	Stand 20LCS	18	3139 121 27651	Bottom shield scaler 15/20LCS
3	3139 128 76861	Stand 13/15LCS	18	3139 121 27511	Top shield scaler
4	3139 124 46571	Rubber feet	18	3139 121 27671	Tuner shield
5	Not applicable			3139 238 05851	Remote control RC19335016/01 AP
6	3139 124 47081	Connector plate bottom 20LCS		3139 238 05691	Remote control RC19335014/01 Nafta
7	3139 121 27521	Main Meter Frame 20LCS		3139 238 08141	Remote control RC199335019/01
7	3139 121 27531	Main Meter Frame 15LCS		4822 303 50063	Aerial (Pal)
8	3139 120 01601	Word mark 20LCS		3139 121 27501	Vesa mounting plate
8	3139 120 01611	Word mark 13/15 LCS			
9	3139 124 46161	LCD Lens			
9	3139 177 72821	LCD lens			
10	3139 177 67161	Cabinet 20LCS		15PF7835/37	
10	3139 177 74261	Cabinet 20LCS ITV		20PF7835/37	
10	3139 177 67031	Cabinet 15LCS		15PF7835/69S	
11	3139 177 71241	Top control assy 15/20LCS		15PF7835/93	
12	3139 177 69381	Top plate assy 20LCS		15PF7835/69I	
12	3139 177 69391	Top plate assy 15LCS		20PF7835/69S	
13	2422 264 00444	Loudspeaker 8Ω 10W 20LCS		20PF7835/93	
13	2422 264 00467	Loudspeaker 16Ω 5W 15LCS		20PF7835/69I	
13	2422 264 00512	Loudspeaker 4Ω 5W 14		15HF7835/69	
14	9322 197 44682	TFT-LCD LC201V02-A3		20HF7835/69	
14	9322 196 31682	TFT-LCD LC150X01-A3			
15	3139 128 76771	Adaptor 24V AC/DC 20LCS			
15	3139 128 76971	Adaptor 12V AC/DC 15 LCS			
16	3139 124 47071	Connector plate side 15/20LCS			

Styling 446.aps
050404

Personal Notes:

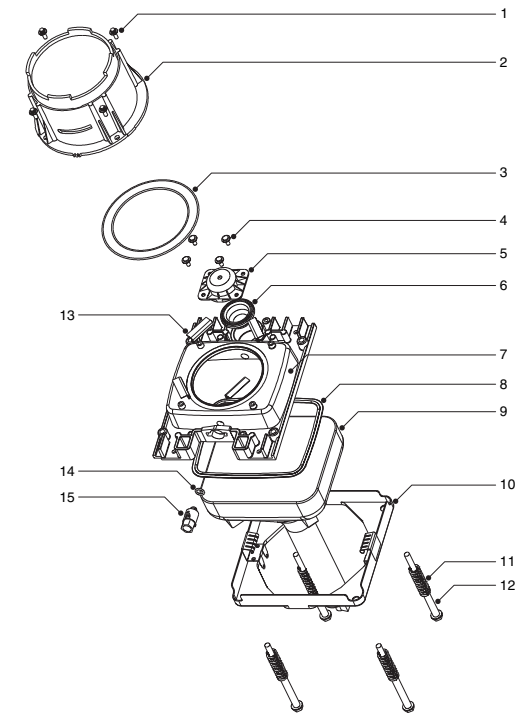
STYLING 447a



1ac*	3135 037 72641	Screen frame	15	3135 034 10061	PIP frame
1b*	3135 037 72931	Screen frame			
1d*	3135 037 75451	Screen frame	16	3135 034 01991	Frame chassis
1eg*	3135 037 72631	Screen frame	17	3135 011 02011	Hold down bracket
1f*	3135 037 72921	Screen frame	18	3135 033 01031	Barrier 46"
			18	3135 033 01041	Barrier 55"
1h*	3135 037 52791	Screen frame	19	3135 030 40031	Castor
2	3135 034 01321	Protection screen 46"	20	3135 037 70971	Side jack assy
2	3135 034 00922	Protection screen 55"	21	3135 038 70081	Solar cell assy
3	3141 050 00151	Word mark	23	3135 037 52632	Cabinet 46"
4	3135 037 52452	Cover front 46"	23	3135 037 52623	Cabinet 55"
4d*	3135 037 53871	Cover front 46"	24	3138 034 03341	Retainer screen vertical 46"
4	3135 037 72611	Cover front 55"	24	3138 034 03311	Retainer screen vertical 55"
4h*	3135 037 53891	Cover front 55"	24d*	3138 034 04111	Retainer screen vertical 46"
5	2422 264 00452	Loudspeaker tweeter	24d*	3138 034 04091	Retainer screen vertical 55"
6	2422 264 00453	Loudspeaker woofer	25	3135 034 03331	Retainer screen horizontal 46"
7	3135 037 52491	Vacation button	25d*	3135 034 04121	Retainer screen horizontal 46"
8	3135 033 20181	Fresnel lens 46"	25	3135 034 03291	Retainer screen hor. top 55"
8	3135 033 20201	Fresnel lens 55"	25	3135 034 03291	Retainer screen hor. bottom 55"
9	3135 033 20061	Lenticular lens 46"	25h*	3135 034 04081	Retainer screen horizontal 55"
9	3135 033 20081	Lenticular lens 55"	26	3135 034 03181	Mirror bracket lower
10	3135 037 72051	Rear cover 46"	27	3135 034 00891	Light barrier
10	3135 037 70991	Rear cover 55"	28	2422 070 98165	Mains cord Korea
11	3135 033 00321	Cover middle	28	2422 070 98163	Mains cord EUR
12	3135 033 00961	Speaker cover L+R 46"	28	2422 070 98264	Mains cord AUS/NZ
12	3135 033 00951	Speaker cover L+R 55"	28	2422 070 98154	Mains cord CH
13	3135 030 00273	Label rear jack	28	2422 070 98154	Mains cord CH
13cg*	3135 030 00302	Label rear jack	29	3135 034 90051	Mirror 46"
13dh*	3135 030 00332	Label rear jack	29	3135 034 90061	Mirror 55"
14	3135 034 02542	Frame rear jack			

STYLING 447a.eps
040205

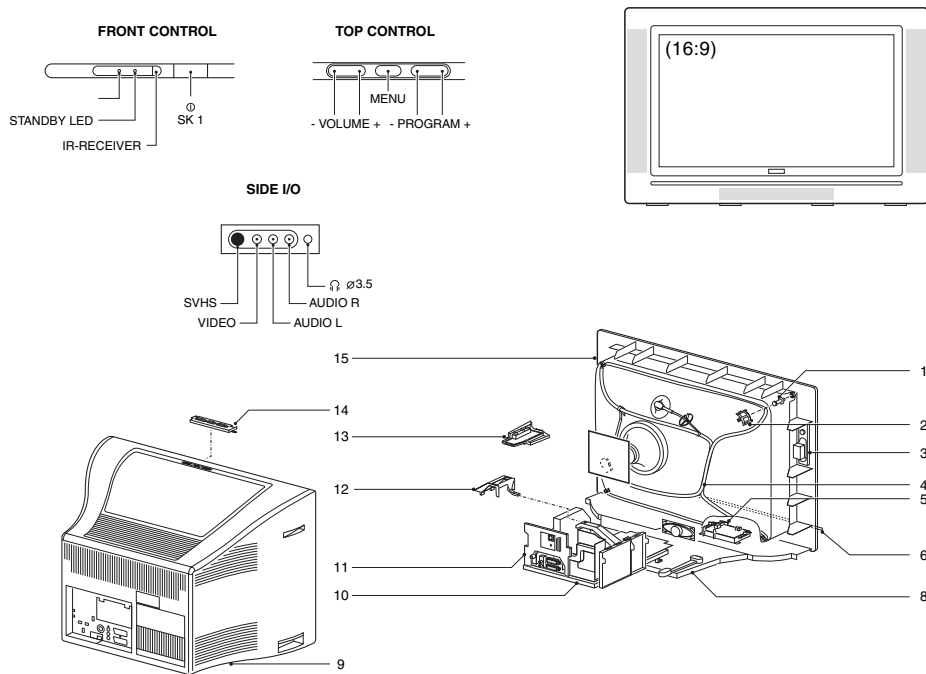
STYLING 447b



Styling 447a (continued)					
30	3135 033 00461	Mirror board 46"	8	4822 532 13123	Seal CRT
30	3135 033 00351	Mirror board 55"	9	9322 173 22682	Picture tube P16LTG00RFA
	3135 147 13991	RC2049/01B	9	9322 173 21682	Picture tube P16LTG00HHA
	3135 147 14011	RC2060/01B	9	9322 173 23682	Picture tube P16LTG00BMB
	9322 173 22682	P16LTG00RFA	10	3135 011 02371	Bracket CRT
	9322 173 21682	P16LTG00HHA	11	4822 492 11733	Spring
	9322 173 23682	P16LTG00BMB	12	3135 010 08101	Screw
	9322 202 91682	P16LXL00RFA	13	3135 014 02811	CRT pad
	9322 202 92682	P16LXL00HHA	14	4822 530 10519	O-ring
	9322 202 93682	P16LXL00BMB	15	4835 432 17791	Plug vent
				4822 310 67032	Cooling fluid
*a	46PP9527/69, 46PP9527/93				
*b	46PP9527/79				
*c	46PP9527/61				
*d	46PP9541/93				
*e	55PP9527/69, 55PP8620/93				
*f	55PP8620/79				
*g	55PP9527/61				
*h	55PP9541/93				
Styling 447b					
1	3135 010 02971	Screw (lens to coupler)			
2	3135 034 00731	Lens C-element green			
2	3135 034 00721	Lens C-element red-blue			
3	3135 013 02632	Seal lens			
4	3135 010 02981	Screw			
5	3135 014 02681	Cap coupler			
6	4822 418 10413	Expansion diaphragm			
7	3135 011 04271	Coupler red-blue			
7	3135 031 60021	Coupler green			

STYLING 447b.eps
040205

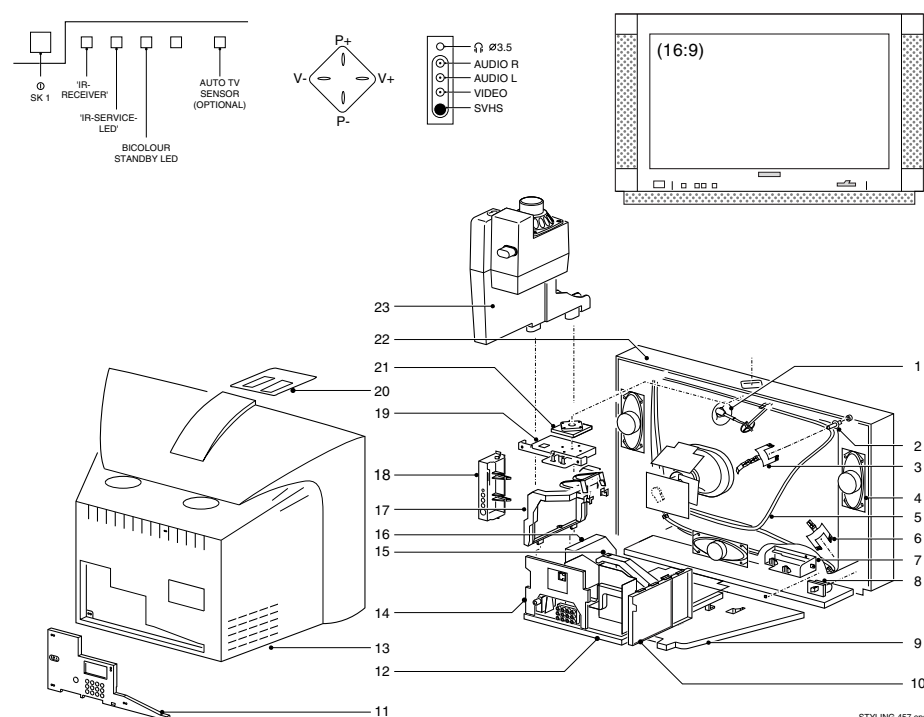
STYLING 456



STYLING 456.eps
040205

1	4822 505 11195	CRT screw 28"	-	3104 301 24191	Shielding frame SSB A-side
1	4822 502 14602	CRT screw 32"	-	3104 301 24201	Shielding frame SSB Z-side
2	3111 254 23481	Coil & THT clamp	-		
2	4822 404 31341	Coil clamp	-	3104 301 24211	Shielding SSB A-side
3	3104 308 78721	Loudspeaker 10Ω 12W	-	3104 301 24221	Shielding SSB Z-side
			-	3104 304 21031	Rotation coil 32"
4	2422 549 44621	Degaussing coil 28"	-	3104 304 25712	Corner coil bracket short 28" + 32"
4	2422 549 44244	Degaussing coil 32"	-		
5a*	3139 177 75621	Mains knob	-	3104 304 25722	Corner coil bracket Long 32"
5b*	3104 308 11041	Mains Knob	-		
6a*	3139 177 79051	Strip right 28"	-	3104 304 21091	Corner coil bracket 32"
6a*	3139 177 77701	Strip right 32"	-	3104 304 25712	Corner coil bracket short 28"
6b*	3104 308 10951	Strip right 28"	-	3111 250 01041	Word mark 28"
6b*	3104 308 10891	Strip right 32"	-	3111 250 01051	Word mark 32"
9a*	3139 177 79041	Strip left + lens 28"	-	9301 899 90301	Picture tube 28"
9a*	3139 177 77711	Strip left + lens 32"	-		W66ERF042x044
9b*	3104 308 11201	Strip left + lens 28"	-	9301 967 10306	Picture tube 28"
9b*	3104 308 11201	Strip left + lens 32"	-		W66ERF172x044
7	Not applicable		-	9301 924 90314	Picture tube 32"
8	3104 304 23471	Mains bracket	-		W76ERF062x044
			-	9322 173 93682	Picture tube 32" W76EKW10x73
9a*	3104 308 12451	Rear cover 28"	-	4822 321 11425	Mains cord EU
9a*	3104 308 12461	Rear cover 32"	-	4622 007 51622	Mains cord UK
9b*	3104 308 11231	Rear cover 28"	-		
9b*	3104 308 11221	Rear cover 32"	a*	4822 402 11183	Mains cord relief
10	3104 304 23001	Bracket for LSP (Chassis frame)	b*	3139 238 07921	Remote control
				3128 147 14411	Remote control
11	3104 304 21314	Cover plate SCART	*a	xxPW9309/xx	
12	3104 304 24891	LOT support bracket	*b	xxpw9509/xx	
13	3104 328 30551	Side I/O			
14	3104 328 30571	Top control			
15a*	3104 328 33011	Cabinet 28" incl. bottom plate			
15b*	3104 328 27771	Cabinet 28"			
15a*	3104 328 33021	Cabinet 32" incl. bottom plate			
15b*	3104 328 27731	Cabinet 32"			
-	3104 304 24151	SSB bracket top			
-	3104 304 24901	SSB bracket bottom			
-	3104 304 23041	DAF Bracket			

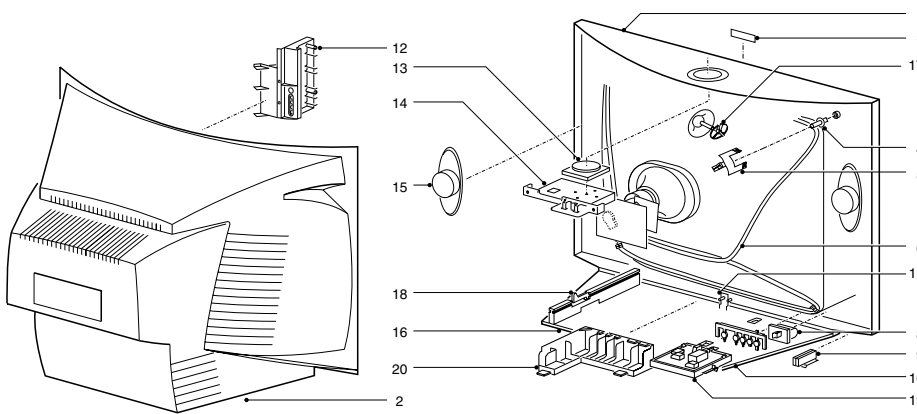
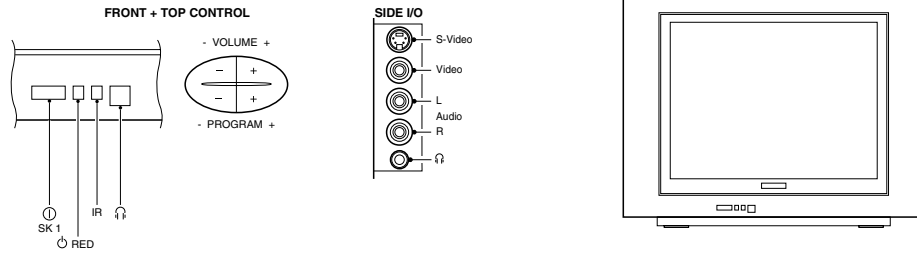
STYLING 457



STYLING 457.eps
040804

1	4822 532 61201	EHT spacer
2	4822 502 21359	CRT fixing screw
3	3141 054 22351	Cable tie
4	3104 130 01231	Loudspeaker 8Ω 15W
5	3139 128 23861	Degaussing coil 32"
7	4822 402 11176	Mains unit bracket
8	3139 124 45851	Mains knob
9	3104 304 21275	Bottom plate
12	3141 054 22551	Chassis frame
13	3139 124 44801	Rear cover 32"
14	Not applicable	
18	3141 054 22561	Side AV bracket
19	3141 054 22231	Top control bracket
20	3104 304 21081	VO plate
	3141 050 00281	Word mark
	3139 124 46561	Cabinet 32"
	9301 888 30314	Picture tube W66ERF022X013
	3104 304 20801	Light guide
	32PW4523/79R	

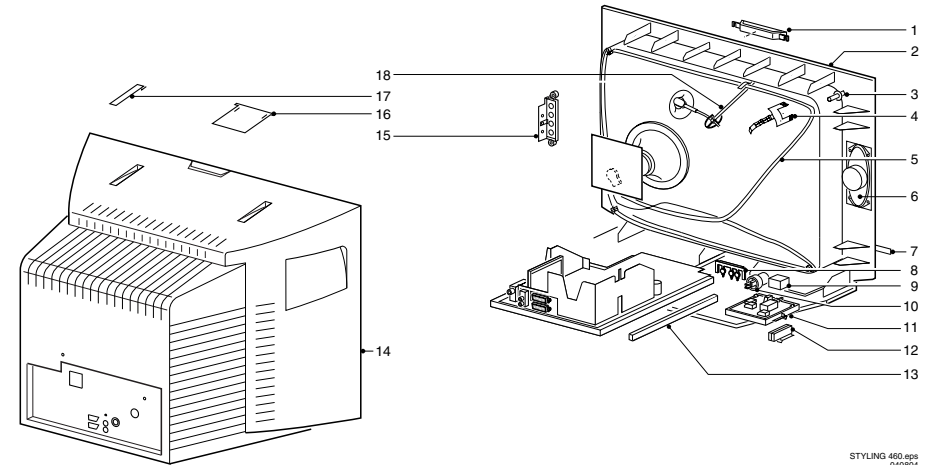
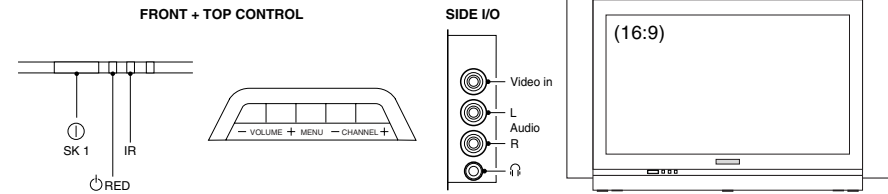
STYLING 459



STYLING 459.eps
040804

1	3141 047 68001	Cabinet
2	3141 057 69551	Rear cover (12AV+SVHS)
3	3141 050 00301	Word mark
4	4822 505 11195	CRT fixing screw
5	3139 124 17541	Cable tie
6	4822 157 11444	Degaussing coil
7	Not applicable	
8	3141 057 64591	Mains knob
10	3139 124 33341	V0 plate
11	3139 124 32221	Light guide
12	3141 054 22541	Side AV bracket
13	3139 124 31131	Top control cover
14	3139 124 30381	Top control bracket
15	2422 264 00409	Loudspeaker 8Ω 10W
16	Not applicable	
17	3139 124 17541	EHT spacer
	3131 228 86482	Remote control
	3139 124 30811	Chassis guide (VO)
	9322 196 08682	Picture tube A51LSK955X01
	21PT5207/60	

STYLING 460

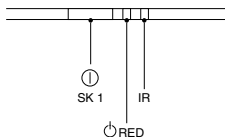


STYLING 460.eps
040804

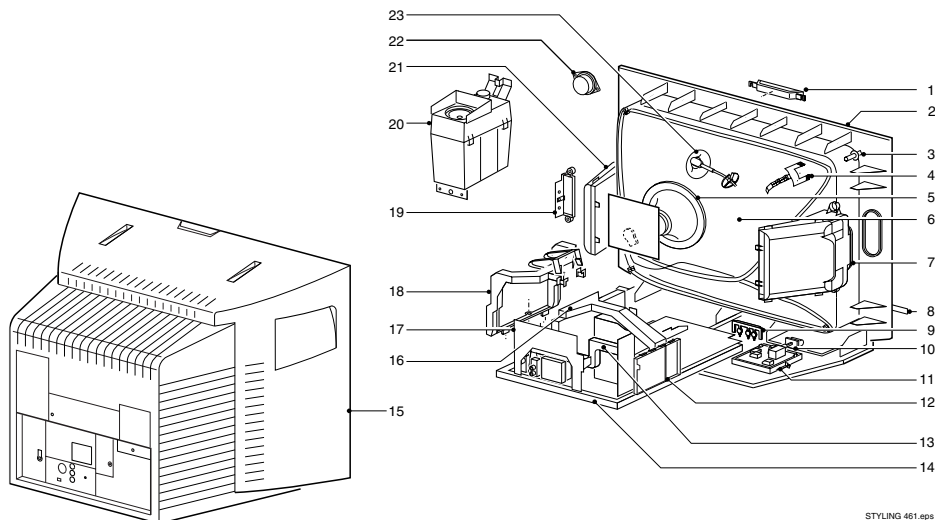
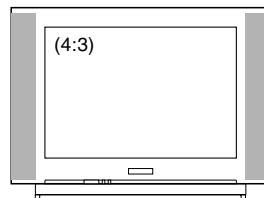
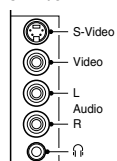
1	3139 187 29861	Top control assy
2	3111 257 60171	Cabinet
3	4822 403 70906	CRT fixing screw
4	2422 549 44621	Corner coil bracket
5		Degaussing coil
6		Speaker assy
7	3111 250 01041	Word mark Philips
8	Not applicable	
9	3139 124 39211	Light guide
10	3139 177 74141	Mains knob
11	3139 124 32521	Front interface bracket
12		Mains cord relief
13	Not applicable	
14	3139 124 42081	Rear cover (no DVD) 28"
15	3139 124 37661	Side AV bracket
16	Not applicable	
17	3139 124 45351	Screw cap
18	3111 254 23481	EHT spacer coil & THT clamp
	4822 321 11499	Mains cord EU
	4822 321 11493	Mains cord UK
18b*	3139 187 28341	Mains cord EU
	9301 888 10301	Picture tube 28" W66ERF022X013
*a	28PW8719/12	
*b	28PW8719/05	

STYLING 461

FRONT + TOP CONTROL



SIDE I/O

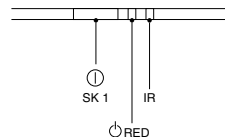


STYLING 461.aps
040904

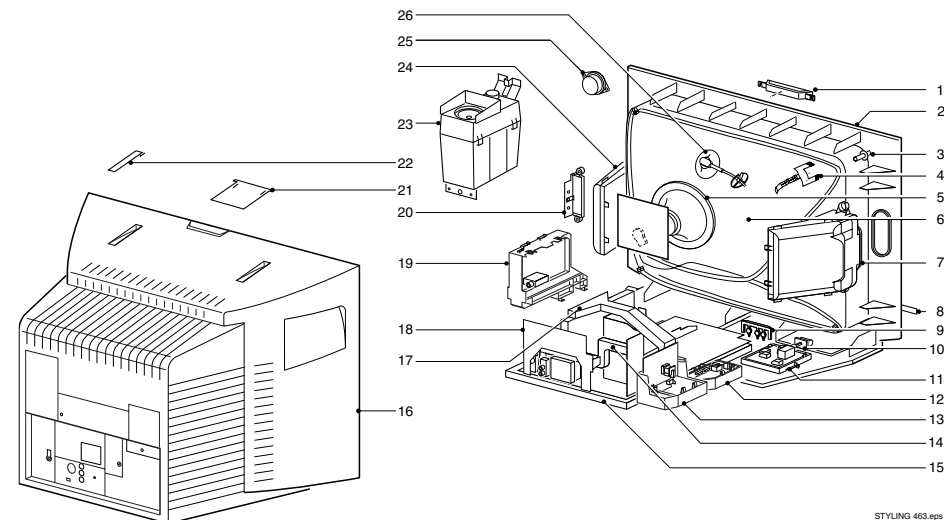
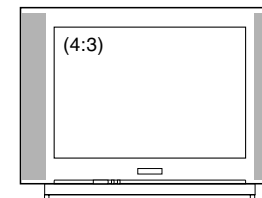
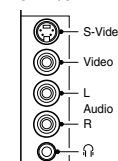
1	3139 187 29861	Top control assy	22	Not applicable	
2	3111 257 60191	Cabinet	21	Not applicable	
3	Not applicable		23	3104 311 03272	EHT cable
4	3104 308 20381	Degaussing coil 29"			Focus cable (black)
5	Not applicable				Focus cable (red)
6	4822 121 20708	Picture tube W66ESF012X14 74822 240 20338		3139 238 07441	Remote control
7		Loudspeaker			
8	4822 459 11154	Plastic plate, indication Philips 12mm			
9	4822 466 70798	Light guide		*29PT8609/12	
10	4822 321 11499	Mains knob			
11	3139 124 32521	Front interface bracket			
12	3104 304 23041	DAF & DC shift bracket			
13	Not applicable				
14	3104 304 23001	LSP Chassis frame			
15	3139 124 41121	Rear cover 29"			
16	3139 124 46742	SSB bracket A02			
17	3139 177 76931	Cover plate			
18	3104 304 23011	LOT bracket EMGS			
19	3139 124 31651	Side IO bracket			
20	Not applicable				

STYLING 463

FRONT + TOP CONTROL



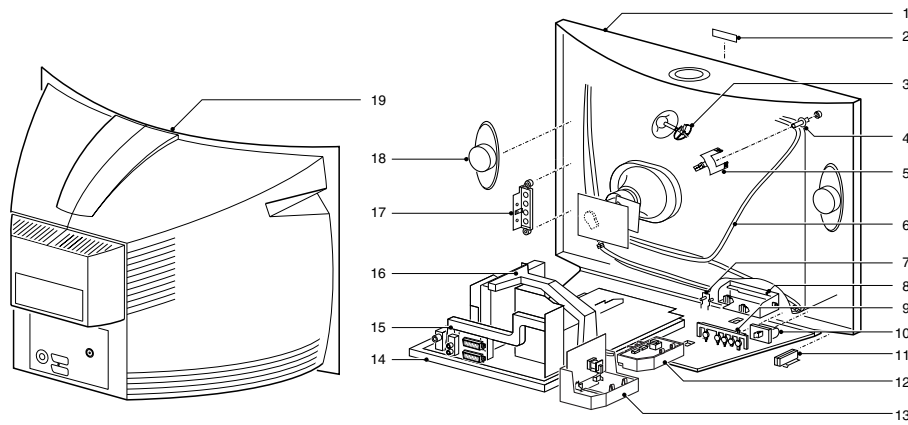
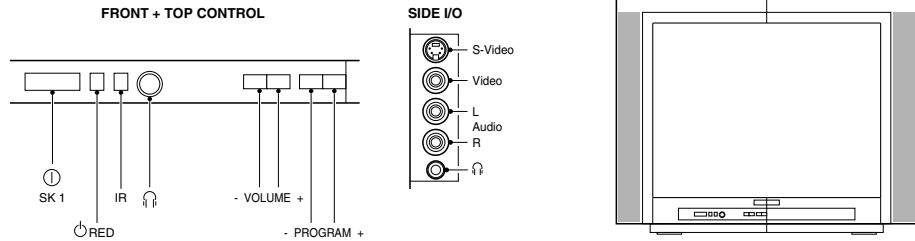
SIDE I/O



STYLING 463.aps
040904

1	3139 188 69231	Top control assy	3104 304 14414	Bracket for Degaussing coil 32"
2	3111 257 60151	Cabinet assy 32"	3104 304 14713	Bracket for Degaussing coil 32"
3	3111 250 40031	CRT screw	2422 549 44621	Degaussing coil
4	3111 254 23481	Coil & tht clamp	3104 304 14414	Corner coil bracket
5	Not applicable		3104 304 23041	Bracket for DAF EMGS
6	9301 921 90314	Picture tube W76ERF072X044	3104 304 14765	Mains cord bracket
7	3104 308 78531	Loudspeaker 8Ω 18W	4822 404 31291	Mains cord
8	Not applicable		3139 124 40421	Screw cap for A02 32WSEF
9	3139 187 29871	Front interface		
10	3139 177 55091	Mains knob	32PW8719/05	
11	3139 124 32521	Front interface bracket		
12	Not applicable			
13	Not applicable			
14	Not applicable			
15	3104 304 23001	LSP chassis frame		
16	3111 257 60161	Rear cover 32"		
17	3139 124 46742	SSB bracket		
18	Not applicable			
19	Not applicable			
20	3139 124 31651	Side IO bracket		
21	3139 124 39161	Top VO plate		
22	3139 124 40422	Screw cap		
23	Not applicable			
24	3104 308 78531	Loudspeaker 8Ω 18W		
25	Not applicable			
26	Not applicable			
	3139 238 07441	Remote control		
	3141 050 00291	Word mark		

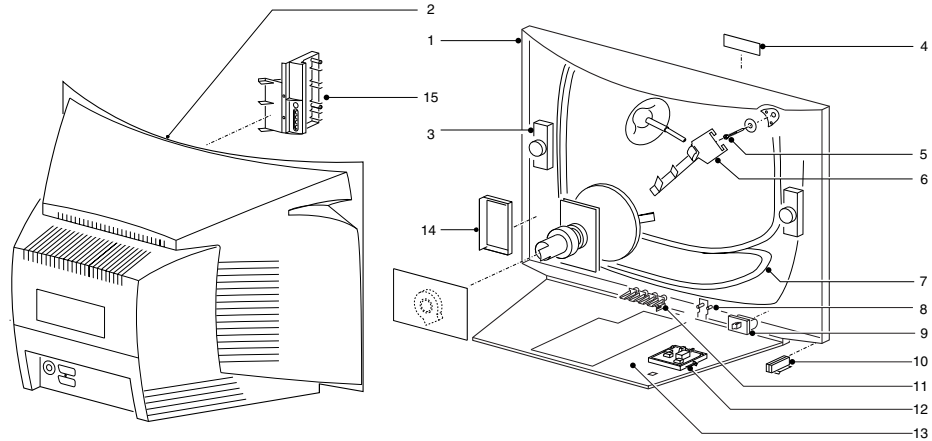
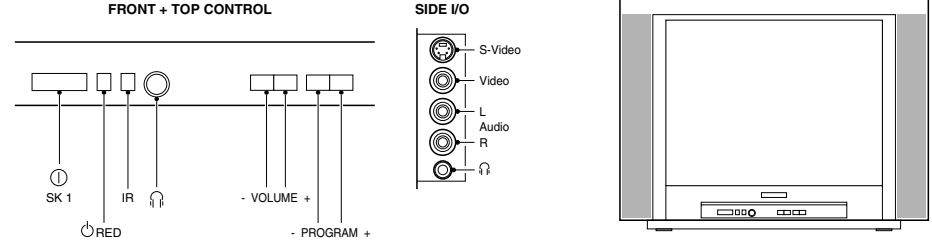
STYLING 464



STYLING 464.695
050804

1	3111 257 60141	Cabinet 28"	*a	28PT7159/12
1b*	313117784151	Cabinet 28"	*b	28PT7109/12
2	3141 050 00291	Word mark PHILIPS	*c	28PT7129/12
3	3111 254 23481	Coil & THT clamp	*d	28PT7139/12
4	4822 505 11195	CRT fixing screw		
5	4822 403 70906	Degaussing coil bracket		
6	2422 549 44251	Degaussing coil 28"		
7	3139 124 42791	Light guide		
8	Not applicable			
9	3139 177 63973	Control knobs		
10	3139 177 63981	Mains knob		
12	Not applicable			
11	4822 404 31291	Bracket for mains cord		
13	Not applicable			
14	3104 304 23005	LSP bracket		
15	3104 304 23011	LOT support bracket		
16	3139 124 46742SSB	bracket		
17		Side i/o bracket		
18	2422 264 00472	Loudspeaker		
19	3139 124 45881	Rear cover 28"		
19b*	3139 177 73511	Rear cover 28"		
	3128 147 15231	Remote control		
	3139 188 69242	Front control		
	4622 009 50501	Mains cord EU		
	9301 863 10314	Picture tube		

STYLING 465



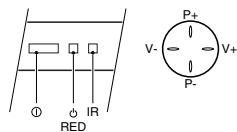
STYLING 465.695
050804

1	3139 177 65981	Cabinet
2	3139 124 32062	Rear cover
3	2422 264 00409	Loudspeaker 8Ω 5W
4	3141 050 00291	Word mark
5	3104 308 77012	CRT fixing screw
6	3104 304 25712	Corner Bracket tool
7	2422 549 44579	Degaussing coil
8	3139 124 33811	Light guide
9	3139 177 66471	Mains knob
10	Not applicable	
11	3139 177 66481	Control knob
12	Not applicable	
13	3139 124 33811	Chassis tray
14	Not applicable	
15	3139 124 37661	Side AV bracket
	3139 137 22801	Mains cord
	9322 205 17682	Picture tube A68ELA021X201

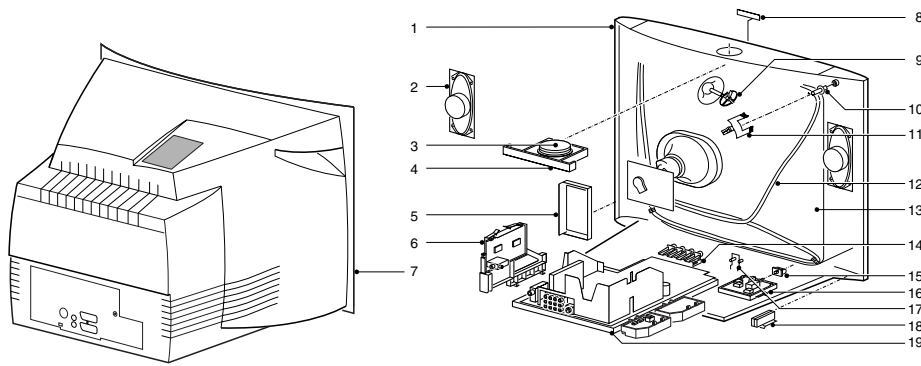
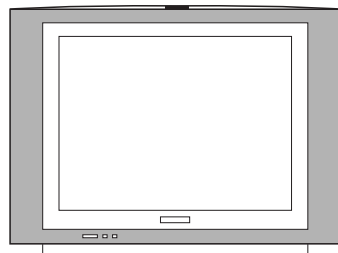
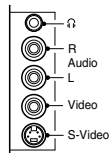
* 29PT5407/21

STYLING 469

FRONT + TOP CONTROL



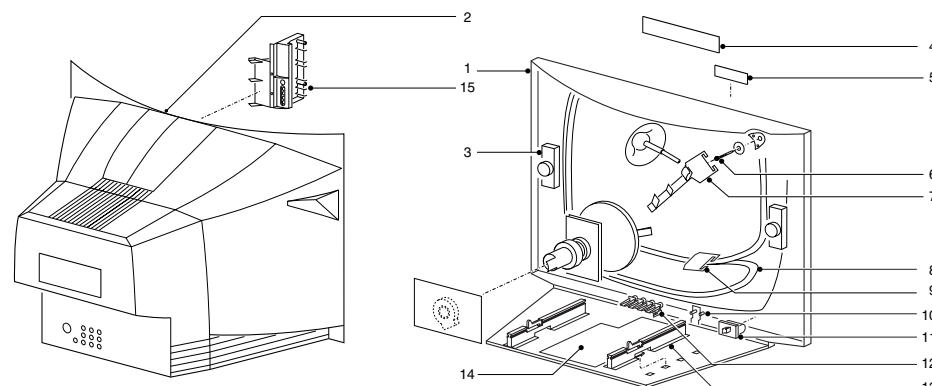
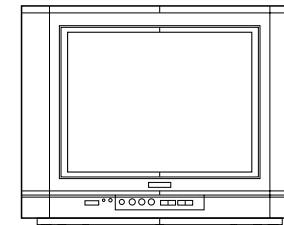
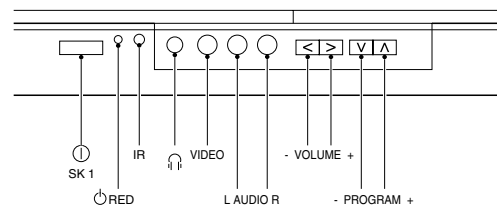
SIDE I/O



STYLING 469.eps
040804

1abdi*	3141 047 80301	Cabinet 29"	13bde*	9301 962 60542	Picture tube 29"
1c*	3141 047 60031	Cabinet	13c*	9322 173 75682	A68QCU770X73(Q)
1	3141 047 69581	Cabinet 21"	13*	9322 202 29682	Picture tube 29"
1h*	3141 047 74791	Front cabinet 29"			A68QCP893X001
1j*	3141 047 82971	Front cabinet 29"			Picture tube 21"
					A51AKL13X10N
2abdeij*	2422 264 00482	Loudspeaker 16Ω 10W	13g*	9322 202 27682	Picture tube 21" A51AKL13X10
2c*	2422 264 00379	Loudspeaker 8Ω 10W	14	Not applicable	
2	2422 264 00479	Loudspeaker 16Ω 5W (21")	15	3139 138 14831	Mains knob 29"
2h*	2422 264 00484	Loudspeaker 8Ω 15W	15	3141 057 69591	Mains knob 21"
3	3139 137 66921	Top control button	15h*	3139 177 69551	Mains knob 29"
3	Not applicable	(21")	16	3139 124 30434	Front interface bracket
4	3139 124 30381	Top control bracket	16	Not applicable	(21")
4	Not applicable	(21")	17	3139 124 30411	Light guide 29"
5abde*	3139 124 60491	Side AV bracket (3P+HP+SV)	17	3139 124 47501	Light guide 21"
5c*	3139 124 39541	Side AV bracket (HP+3AV)	18	3122 224 04623	Mains cord relief
5	3139 124 49861	Side AV bracket (2P+HP) (21")	18	Not applicable	(21")
5h*	3139 124 48601	Side AV bracket (3P+HP+SV) (29")	19	3139 124 33531	Chassis tray
6	Not applicable		19	Not applicable	(21")
7abde*	3139 177 81191	Rear cover 29"	a*	2422 070 98238	Mains cord UK
7c*	3141 047 65241	Rear cover 29"	bd*	2422 070 98199	Mains cord EU
7	3141 057 80981	Rear cover 21" (4AV)	c*	3139 128 76091	Mains cord EU
8	3141 050 00291	Word mark 29"	e*	2422 070 00013	Mains cord EU
8	3139 120 01601	Word mark 21"	fg*	2422 070 98234	Mains cord 21"
8h*	3139 120 01671	Word mark 29"	a*	29PT3224/56R	
9	3139 124 17541	EHT spacer	b*	29PT3224/69S	
10	Not applicable		c*	29PT5307/60S	
11	3141 054 22351	Corner coil bracket	d*	29PT3224/67R	
11	Not applicable	(21")	e*	29PT3224/71R	
12	3139 128 23781	Degaussing coil 29"	f*	21PT2324/71R, /69R, /69S, /67S	
		(multi voltage)	g*	21PT2324/56S	
12	3139 128 23201	Degaussing coil 21"	h*	29PT4324/93R	
		(multi voltage)	i*	29PT3224/93R	
12hij*	3139 128 23381	Degaussing coil 29"	j*	29PT3225/93	
13ahij*	9301 946 60542	Picture tube 29"			
		A68QCU770X73(N)			

STYLING 475

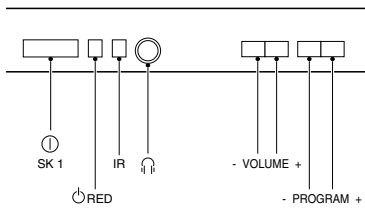


STYLING 475.eps
040804

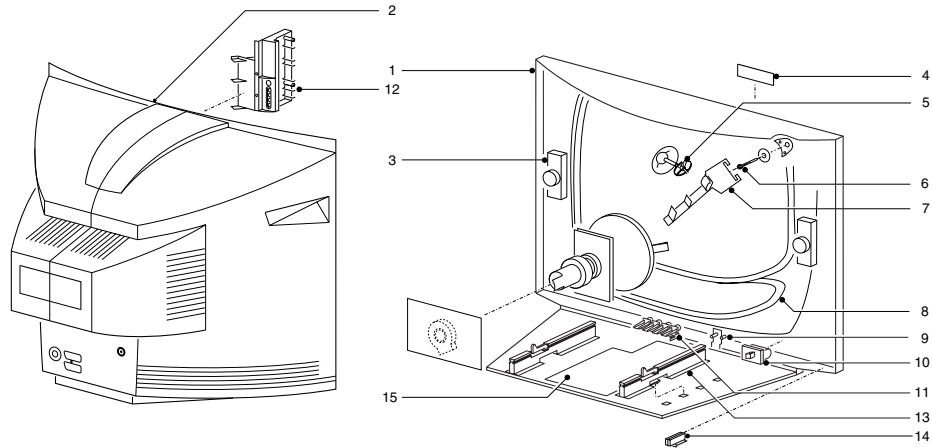
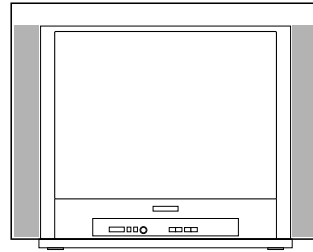
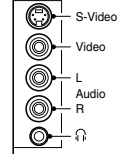
1	3139 177 64551	Cabinet (HP+3AV)
2	3141 057 68421	Rear cover
3	2422 264 00419	Loudspeaker 16Ω 5W
4	3139 177 64541	Door
5	3139 120 01451	Word mark
6	4822 502 14508	CRT fixing screw
7	3141 054 22351	Corner coil bracket
8	3139 128 76331	Degaussing coil 14"
9	Not applicable	
10	3139 124 34321	Light guide
11	3139 177 64481	Mains knob
12	3139 177 64491	Control knob
13	3139 124 34091	Chassis guide (VO)
14	Not applicable	
15	Not applicable	
	9322 191 16682	Picture tube A36AKJ15X07
	14PT6441/37	
	14RFL150/37C	

STYLING 481

FRONT + TOP CONTROL



SIDE I/O

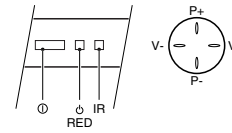


STYLING 481.dps
050804

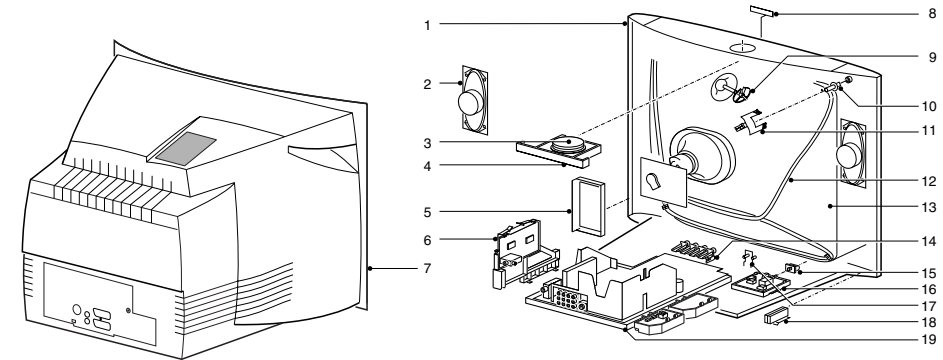
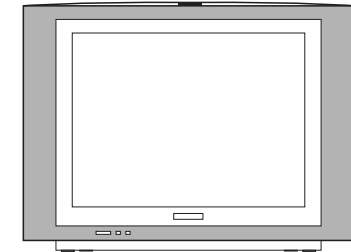
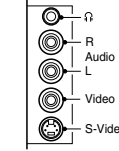
1	3141 057 68831	Cabinet
2	3141 054 22941	Rear cover
3	2422 264 00411	Loudspeaker 16Ω 5W
4	3139 120 01371	Word mark
5	3139 124 23861	EHT spacer
6	4822 502 14508	CRT fixing screw
7	3141 054 22351	Corner coil bracket
8	3141 058 20131	Degaussing coil 20"
9	3139 124 34401	Light guide
10	3139 177 58441	Mains knob
11	3139 177 58431	Control knob
12	Not applicable	
13	3139 124 30811	Chassis guide (VO)
14	Not applicable	
15	Not applicable	
	9322 202 00682	Picture tube A51KQK99X02
	20PT5441/37	

STYLING 483

FRONT + TOP CONTROL



SIDE I/O



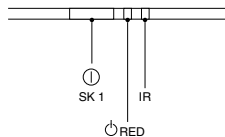
STYLING 483.dps
040804

1	3141 047 68701	Cabinet
2	2422 264 00479	Loudspeaker 16Ω 5W
3	Not applicable	
4	Not applicable	
5	3141 054 22881	Side AV bracket (HP+3AV)
6	Not applicable	
7	3141 058 82511	Rear cover
8	3139 120 01601	Word mark
9	3139 124 17541	EHT spacer
10	3139 120 41141	CRT fixing screw
11	3141 054 22351	Corner coil bracket
12	3139 128 23841	Degaussing coil 21"
13	9301 903 81329	Picture tube A51ERF135X82
14	3141 057 68721	Control knob
15	3141 057 68711	Mains knob
16	Not applicable	
17	3139 124 47501	Light guide
18	Not applicable	Mains cord relief
19	3139 124 25893	Chassis guide (VO)
	3139 124 25893	Chassis guide (VO)
	3141 057 81012	Lens

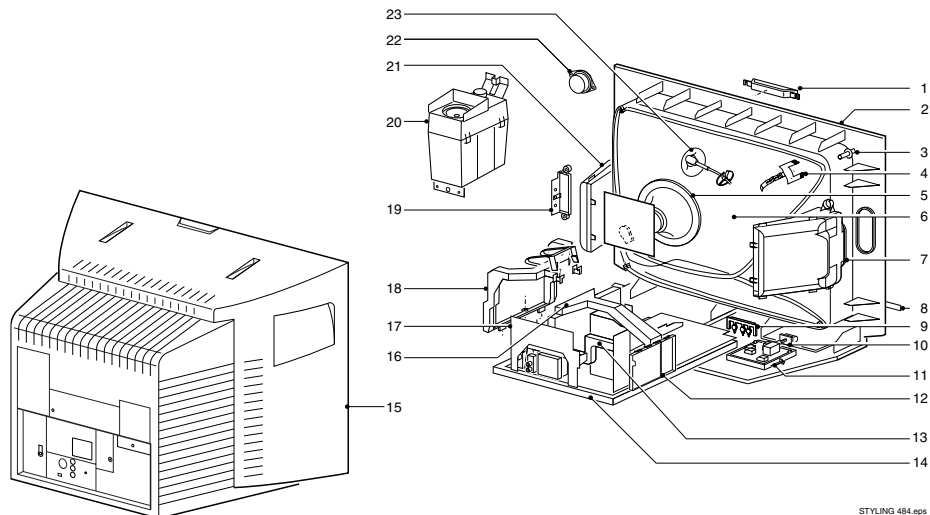
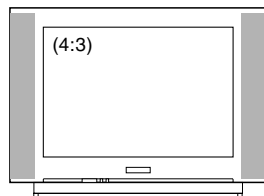
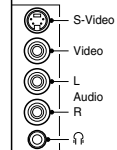
*20PT6341/37

STYLING 484

FRONT + TOP CONTROL



SIDE I/O

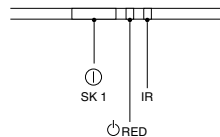


STYLING 484.eps
040904

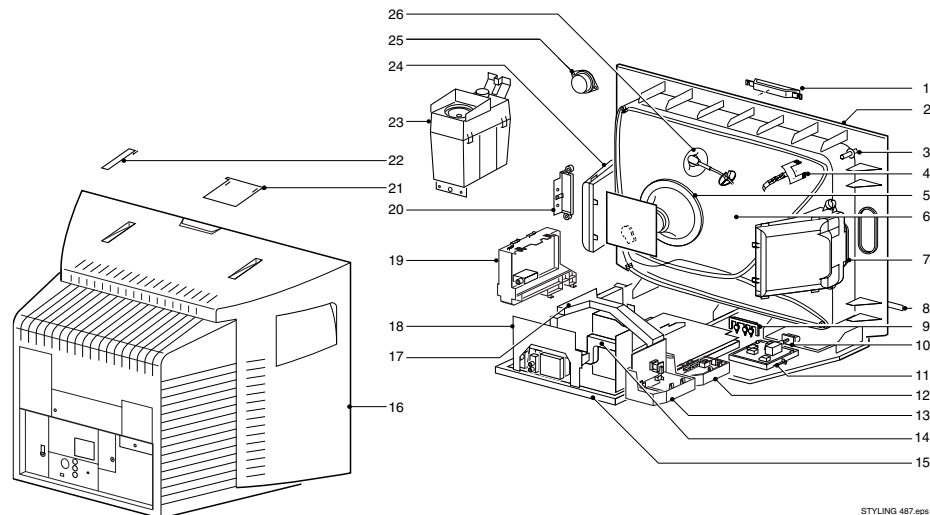
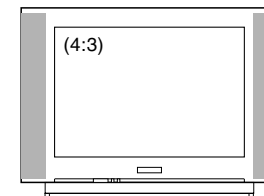
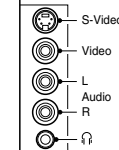
1	3139 177 56381	Top control	19b*	3139 124 48531	Side AV bracket (3P+HP)
1b*	Not applicable		20	Not applicable	
2	3141 047 69941	Cabinet	21	Not applicable	
2b*	3141 047 81311	Cabinet	22	Not applicable	
3	Not applicable		23	3139 124 17541	EHT spacer
4	3141 054 22351	Corner coil bracket	23b*	Not applicable	
4b*	Not applicable			3139 128 23841	Degaussing coil 21"
5	Not applicable			3139 228 86464	Remote control RC19335004/01
6	9301 903 81329	Picture tube A51ERF135X82			
6b*	9301 903 43301	Picture tube A51ERF135X80	*a	20PT6441/37	
7	2422 264 00411	Loudspeaker 16Ω 5W	*b	21PT6341/44	
7b*	2422 264 00479	Loudspeaker 16Ω 5W			
8	3139 120 01371	Word mark			
8b*	3139 120 01601	Word mark Philips			
9	3139 124 41421	Light guide			
9b*	3139 124 47501	Light guide			
10	3141 057 80861	Mains knob			
10b*	3141 057 81301	Mains knob			
11	Not applicable				
12	Not applicable				
13	Not applicable				
14	3141 054 23251	Chassis guide (VO)			
14b*	4822 463 11226	Chassis guide (VO)			
15	3141 057 80891	Rear cover			
15b*	3141 057 81271	Rear cover (9AV+SVHS)			
16	Not applicable				
17	Not applicable				
18	Not applicable				
19	3139 124 37061	Side AV bracket (HP+3P)			

STYLING 487

FRONT + TOP CONTROL



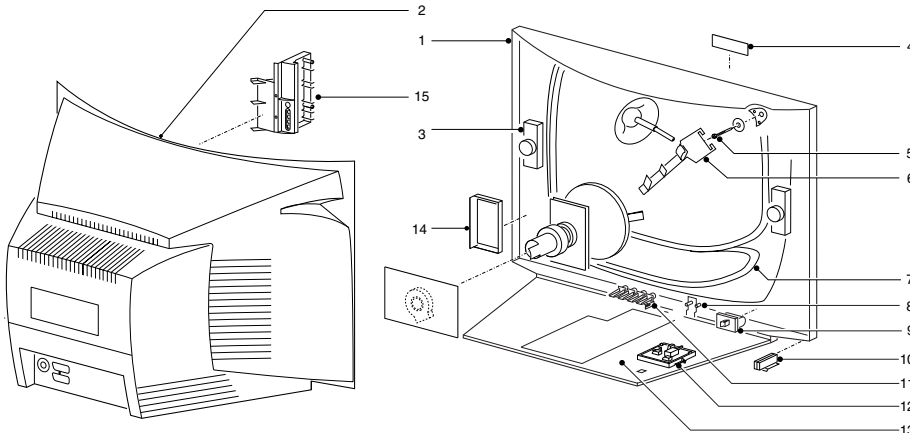
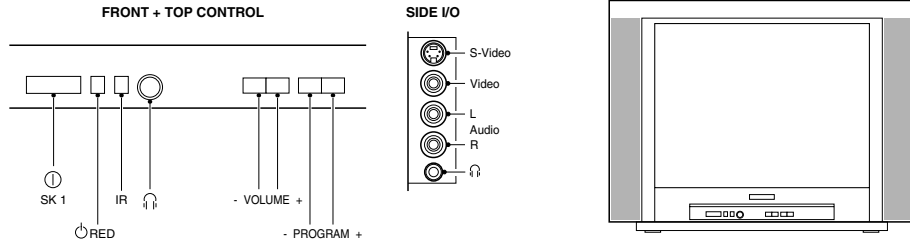
SIDE I/O



STYLING 487.eps
040904

1	3139 188 69231	Top control assy	17bc*	3104 304 23011	LOT bracket
1b*	3139 188 65201	Top control assy	18	Not applicable	
1c*	3139 188 69251	Top control assy	19	Not applicable	
2	3111 257 60541	Cabinet assy 32"	20	3139 124 31651	Bracket for Side I/O panel
2b*	3139 177 76421	Cabinet assy 36"	21a*	3139 124 39161	V0 plate for rear cover
2c*	3139 177 84351	Cabinet assy 36	22	3139 124 40421	Screw cap for rear cover 29"
3	Not applicable		22bc*	3139 124 40441	Screw cap for rear cover 36"
4	3104 301 14713	Bracket for Degaussing coil	23	Not applicable	
4bc*	3104 304 21092	Bracket for Degaussing coil	24	Not applicable	
5	Not applicable		25	Not applicable	
6	9301 921 90314	Picture tube W76ERF072X044	26	3104 311 03273	EHT cable
6b*	9301 914 50301	Picture tube W86ERF063X144	26b*	3104 311 03721	EHT cable
7	3104 308 78531	Speaker (full range)	27c*	3104 311 03722	EHT cable
8	3141 050 00291	Word mark Philips		2422 549 44244	Degaussing coil
8b*	3111 250 01051	Word mark Philips	b*	2422 549 44243	Degaussing coil
8c*	3104 300 11991	Word mark Philips	c*	2422 549 44242	Degaussing coil
9	3139 124 39211	Light guide		3104 308 73683	Wire focus cable (black)
10	2422 128 02971	Mains knob assy		3104 308 73672	Wire focus cable (red)
10bc*	3139 177 55091	Mains knob assy	ab*	4822 404 31291	Mains cord relief
11	Not applicable		ab*	4622 009 50501	Mains cord
12	Not applicable		c*	4622 007 51852	Mains cord
13	3104 304 27641	Bracket for DAF		3139 238 07441	Remote control
13c*	3104 304 23041	Bracket for DAF	a*	32PW8719/12	
14	Not applicable		b*	36PW8719/12	
15	3104 304 23005	Bracket for Large Signal panel	c*	36PW8719/05	
16	3111 257 60161	Rear cover			
16b*	3129 124 42591	Rear cover			
16c*	3104 328 62011				
17	3104 304 21114	LOT bracket			

STYLING 488

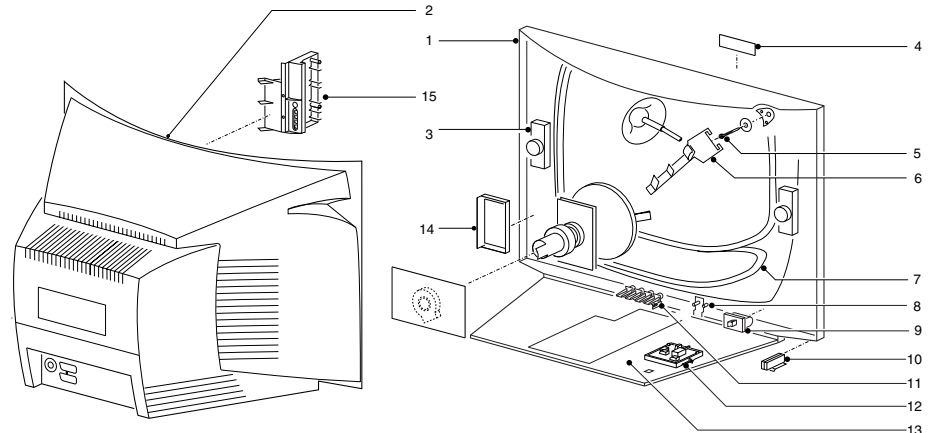
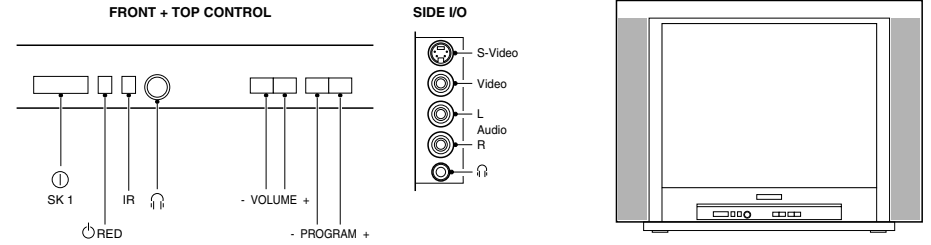


STYLING 488.gps
040804

1ac*	3143 027 60573	Cabinet 32"
1b*	3139 177 84541	Cabinet 28"
2ac*	3111 257 56681	Rear cover 32"
2b*	3139 124 32104	Rear cover 28"
3ac*	2422 264 00511	Loudspeaker 16Ω 8W
3b*	2422 264 00476	Loudspeaker 16Ω 10W
4ac*	3141 050 00281	Word mark
4b*	3141 050 00291	Word mark
5ac*	4822 502 14602	CRT fixing screw
5b*	4822 505 11195	CRT fixing screw
6a*	4822 403 70906	Fix degaussing coil
7ac*	2422 549 00128	Degaussing coil
7b*	2422 549 00129	Degaussing coil
8ac*	3139 124 33811	Light guide
9	3139 124 33801	Mains knob cover
9	3139 124 33011	Mains knob shaft
10	3139 124 32521	Front interface bracket
11	Not applicable	
12	Not applicable	
13	3139 124 41203	Chassis tray
13bc*	3139 124 41201	Chassis tray
14	Not applicable	
15ac*	3139 124 37662	Side I/O bracket
a*	9301 880 70301	Picture tube 32" W76ERF022X013
b*	9301 888 10301	Picture tube 28" W66ERF022X013

c*	9301 888 30314	Picture tube 32" W76ERF022X013
	2422 070 98199	Mains cord
c*	2422 070 98238	Mains cord
	3139 228 86471	Remote control RC19039001/ 01
a*	32PW6408/01	
b*	28PW6408/01	
c*	32PW6408/05	

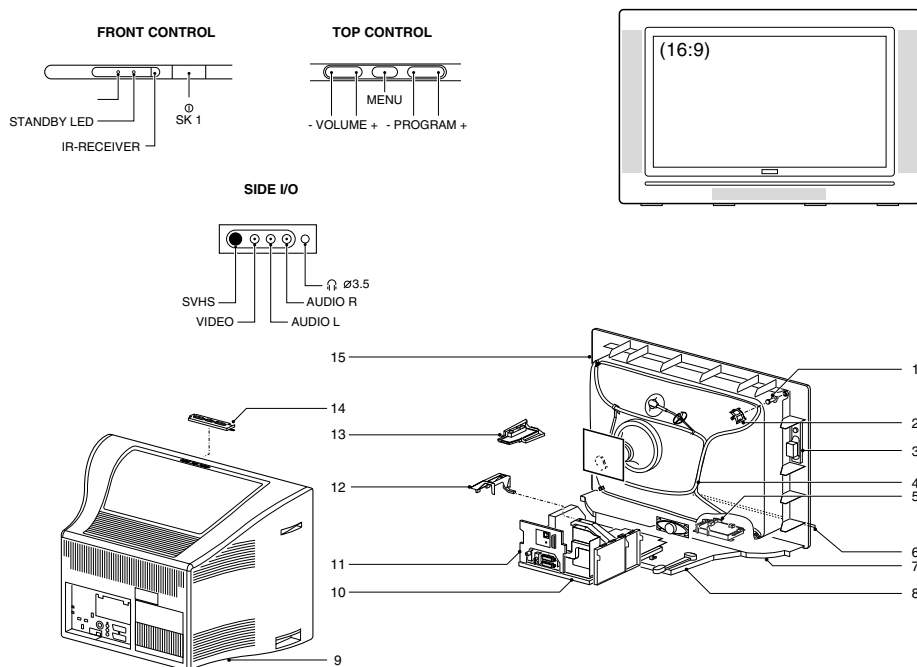
STYLING 489



STYLING 489.gps
040804

1	3139 177 65982	Front cover
2	3139 124 32061	Rear cover
3	2422 264 00476	Loudspeaker 16Ω 10W
4	3141 050 00291	Word mark
5	3104 308 77012	CRT fixing screw
6	Not applicable	
7	2422 549 00132	Degaussing coil
8	3139 124 33811	Light guide
9	3139 177 66471	Mains knob
10	Not applicable	
11	3139 177 66481	Control knob
12	Not applicable	
13	3139 124 41201	Chassis tray
14	Not applicable	
15	2422 070 98199	Side io bracket
	9301 951 90314	Picture tube A68ERF 112X013/M
	29PT5458/01	

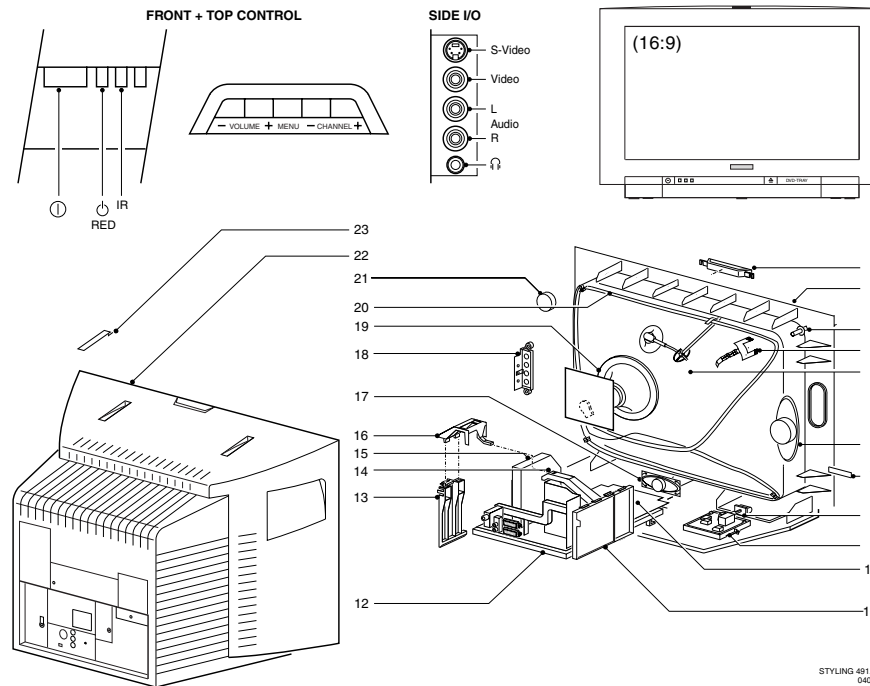
STYLING 490



STYLING 490.eps
290704

1ab*	4822 505 11195	CRT screw	15	3111 257 60501	Cabinet 21"
1c*	4822 502 14602	CRT screw			
2	3111 254 23481	Coil & THT clamp	15b*	3139 124 47711	Cabinet 21"
3ab*	2422 264 00485	Loudspeaker 8Ω 15W	15ci*	3139 127 60842	Cabinet 29"
3c-fghijk*	2422 264 00491	Loudspeaker 8Ω 10W	15d*	3143 027 61081	Cabinet 28"
			15egj*	3143 027 60742	Cabinet 28"
			15hk*	3139 127 60752	Cabinet 32"
3de*	2422 264 00508	Loudspeaker 16Ω 10W			
4	2422 549 45514	Degaussing coil 21"			
4ci*	2422 549 00132	Degaussing coil 29"		3111 250 01031	Word mark 21"
4dj*	2422 549 00129	Degaussing coil 28"		3111 250 01041	Word mark 28"
4hk*	2422 549 00128	Degaussing coil 32"		3111 250 01051	Word mark 32"
				9301 913 40301	Picture tube 21"
5	3139 177 78701	Mains knob			A51ERF135X64
5c*	3139 124 47691	Mains knob		9301 951 90314	Picture tube 29"
5defghijk*	3139 177 75621	Mains knob			A68ERF112X013/m
6ck*	3104 304 26111	light guide			
7	Not applicable			9301 934 20307	Picture tube 28"
					W66ERF112X013
8	3104 304 14765	Mains bracket		9301 888 30314	Picture tube
8de*	3104 304 00129	Mains bracket			32"W76ERF022X013
8fghijk*	3104 304 23471	Mains bracket			
9	3111 257 60511	Rear cover 21"	*a	21PT5618/01	
9ci*	3139 127 60851	Rear cover 29"	*b	21PT5618/58	
			*c	29PT5618/58	
9de*	3134 027 61071	Rear cover 28"	*d	28HW6505/01Z	
9fgj*	3143 027 60811	Rear cover 28"	*e	28HW6505/05Z	
9hk*	3139 127 60821	Rear cover 32"	*f	28PW6618/01	
10	Not applicable		*g	28PW6618/05	
11	Not applicable		*h	32PW6618/05	
			*i	29PT5618/01	
12	3139 124 46811	LOT support bracket	*j	28PW6618/58	
13	3139 188 58131	Side I/O	*k	28PW6618/01	
13c*	3139 188 58151	Side I/O	*l		
14	3139 177 75631	Top control	*m		

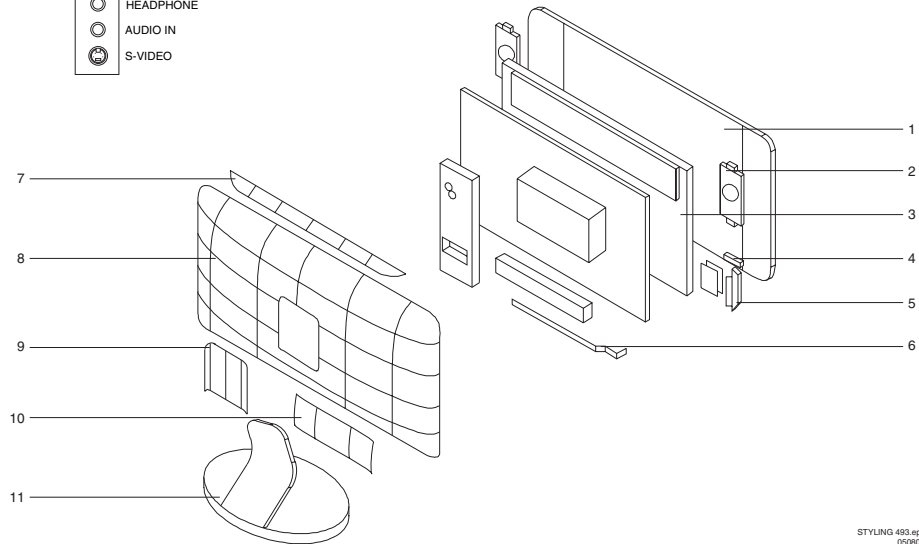
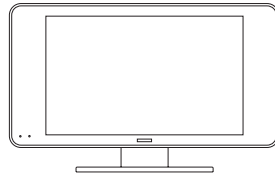
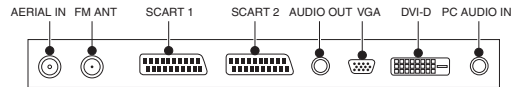
STYLING 491



STYLING 491.eps
040804

1	3139 177 61981	Top control assy	22h"	3111 257 56681	Rear cover assy
1h*	3139 137 66921	Top control assy	22i*	3139 124 42961	Rear cover assy
2	3127 107 60051	Cabinet assy 21"	22jk*	3127 107 50131	Rear cover assy
2efg*	3143 027 60582	Cabinet assy 29"	22lm*	3139 124 61061	Rear cover assy
2h*	3143 027 60573	Cabinet assy 32"	22nopq*	3139 124 42081	Rear cover assy
2i*	3143 027 60592	Cabinet assy 32"	22rs*	3143 027 61221	Rear cover assy
2j*	3193 177 50651	Cabinet assy 24"	22t*	3139 124 42961	Rear cover assy
2k*	3139 177 50661	Cabinet assy 24"	23*	3139 124 40401	Screw cap rear cover
2lm*	3134 027 61161	Cabinet assy 28"	23efg"	3139 124 42231	Screw cap rear cover
2nopq*	3143 027 60562	Cabinet assy 28"	23h"	3139 124 40421	Screw cap rear cover
2rs*	3134 027 61171	Cabinet assy 32"	23irst*	3139 124 40421	Screw cap rear cover
3degijklmnopq*	3104 308 77012	CRT screw	23lmnopq*	3139 124 45351	Screw cap rear cover
3h*	4822 502 14602	CRT screw			
4abcd	3139 124 33472	Bracket fix deg. Coil	diko*	2422 070 98199	Mains cord
4efghilpqrst*	4822 403 70906	Bracket fix deg. Coil	lr*	4822 321 11425	Mains cord
4jk*	4822 402 10047	Bracket fix deg. Coil	ms*	4622 007 51622	Mains cord
5	9301 913 40301	Picture tube A51ERF135X64		4822 404 31291	Mains cord holder
5efg*	9301 951 90314	Picture tube A68ERF112X013/M		3104 304 14765	Mains cord holder
5hirst*	9301 888 30314	Picture tube W76ERF022X013		3139 228 86471	Remote control RC19039001/01
5jk*	9301 886 30301	Picture tube W56ERF001X11		3128 147 78667	Remote control RC19042017/01
5lmnopq*	9301 934 20307	Picture tube W66ERF112X013		3128 147 15761	Remote control RC4332/01
6	2422 264 00485	Loudspeaker (Left/Right)	*a	21PT5518/01	
6h*	2411 264 00511	Loudspeaker (Left/Right)	*b	21PT5518/58	
6ilmnopqrst*	2422 264 00484	Loudspeaker (Left/Right)	*c	21PT5509/01	
7	3111 250 01001	Word mark	*d	21PT5518/05	
7efgilmnopqrst*	3141 050 00291	Word mark	*e	29PT5509/01	
7h*	3141 050 00281	Word mark	*f	29PT5518/01	
8	3139 177 55091	Mains knob assy	*g	29PT5518/58	
8jk*	3139 177 50661	Mains knob assy	*h	32PW6518/01	
9	3139 124 32521	Front interface bracket	*i	32PW6518/05	
17	Not applicable		*j	24PT5618/01	
18	3139 123 57181	Side I/O assy	*k	24PW6518/05	
18ijklmnopqrst*	3139 188 50491	Side I/O assy	*l	28DW6559/01	
18	3139 124 37662	Side I/O panel bracket	*m	28DW6559/05	
19	Not applicable		*n	28PW6518/01	
20	2422 549 45514	Degaussing coil 21"	*o	28PW6518/05	
20efg*	2422 549 00132	Degaussing coil 29"	*p	28PW6518/58	
20hirst*	2422 549 00128	Degaussing coil 32"	*q	28PW6558/01	
20jk*	2422 549 45778	Degaussing coil 24"	*r	32DW6559/01	
20lmnopq*	2422 549 00129	Degaussing coil 28"	*s	32DW6559/05	
21	Not applicable		*t	32PW6518/58	
22	3127 107 50051	Rear cover assy			
22c*	3127 107 50101	Rear cover assy			
22efg*	3139 124 41121	Rear cover assy			

STYLING 493

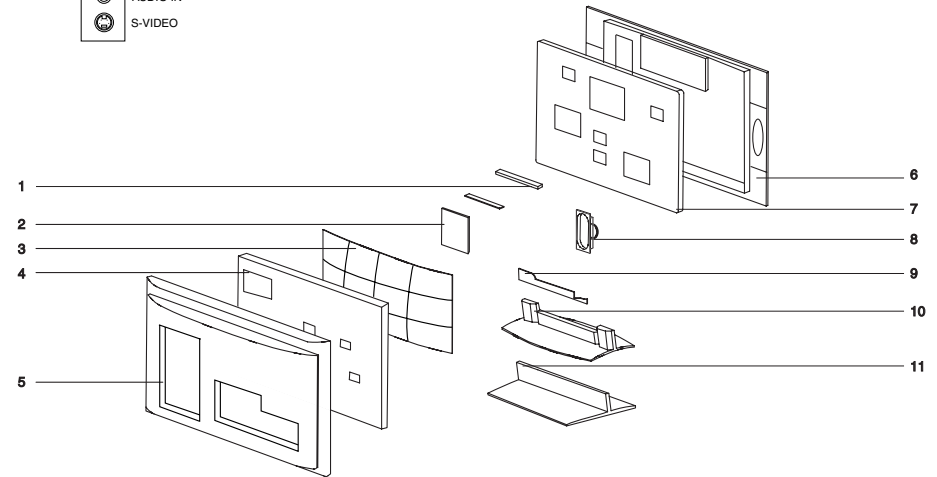
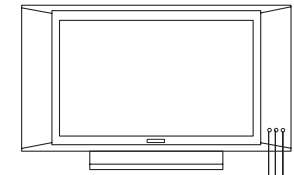
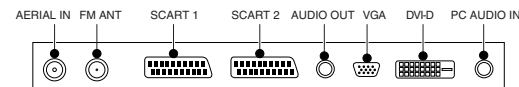


STYLING 493.eps
050804

1ab*	3111 257 60251	Cabinet 23"
1e*	3111 257 60581	Cabinet 23"
1c*	3111 257 60631	Cabinet 26"
1d*	3111 257 60211	Cabinet 17"
1f*	3111 257 60601	Cabinet 26"
1g*	3111 257 60732	Cabinet 23"
1hg*	3111 257 60752	Cabinet 26"
2abefgh*	2422 264 00506	Loudspeaker 8Ω 5W
2d*	2422 264 00507	Loudspeaker 8Ω 5W
3ab*	9322 194 30682	LCD screen LC230W01-A2K2
3abeg*	9322 209 84682	LCD screen LC230W01-A2k8
3cfh*	9322 212 69682	LCD screen LC260W01-A5K6
3d*	9322 196 32682	LCD screen LC171W03-A4
4abg*	3139 124 60061	Lens
4ch*	3139 124 60071	Lens
4d*	3139 124 49011	Lens
4e*	3139 124 61321	Lens
4f*	3139 124 61311	Lens
5abcdef*	3139 188 54481	Side AV
5gh*	3139 188 84661	Side AV
6acefgh*	3139 177 77101	Connector plate
6b*	3139 177 77411	Connector plate
6d*	3139 177 77531	Connector plate
7abeg*	3139 124 48992	Top vent cover
7cfh*	3139 124 49001	Top vent cover 26"
7d*	3139 124 48981	Top vent cover
8ae*	3111 257 60241	Rear cover 23"
8b*	3141 047 80461	Rear cover 23"
8cf*	3111 257 60261	Rear cover 26"

8d*	3111 257 60221	Rear cover 17"
8g*	3111 257 60741	Rear cover 23"
8h*	3111 257 60761	Rear cover 26"
9abeg*	3139 124 48771	User interface cover 23"
9cfh*	3139 124 48761	User interface cover 26"
9d*	3139 124 48781	User interface cover 17"
10abeg*	3139 124 48961	Vesa cover 23"
10cfh*	3139 124 48971	Vesa cover 26"
10d*	3139 124 48951	Vesa cover 17"
11abeg*	3139 128 77021	Metal stand 23"
11cfh*	3139 128 77011	Metal stand 26"
11d*	3139 128 77001	Metal stand 17"
	2422 070 98151	Mains cord EU
	9965 000 07586	Mains cord UK
acdef*	3128 147 15821	Remote control RC1553801/01
b*	3128 147 15901	Remote control RC1553802/01
gh*	3139 238 07951	Remote control RC90331518/01
*a	23PF9946/12	
*b	23PF9946/98	
*c	26PF9946	
*d	17PF9946	
*e	23PF9956	
*f	26PF9956	
*g	23HF9472	
*h	26HF9472	

STYLING 494

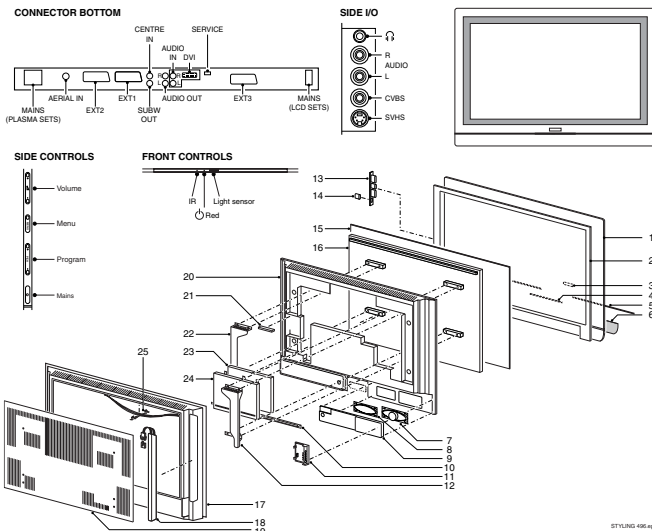


STYLING 494.eps
050804

1abcde*	3139 177 82721	Top control
2a*	3139 121 28221	Vesa plate
2bcde*	3139 121 28051	Vesa plate
3a*	3139 124 61451	Back plate
3bd*	3139 124 60731	Back plate
3ce*	3139 124 60721	Back cover
4	Not applicable	
5a*	3139 177 85481	Rear cover
5b*	3111 257 60441	Rear cover
5c*	3111 257 60461	Rear cover
5d*	3111 257 60452	Rear cover
5e*	3111 257 60472	Rear cover
6a*	3139 177 85491	Front Cabinet pearl white silver 26"
6b*	3111 257 60791	Front cabinet 15"
6c*	3111 257 60421	Front cabinet 20"
6d*	3111 257 60412	Front cabinet 17"
6e*	3111 257 60432	Front cabinet 23"
7a*	9322 212 69682	LCD screen LC260W01-A5K6
7b*	9322 207 48682	LCD screen LC150X02-A4
7c*	9322 211 50682	LCD screen LC201V02-A3K5
7c*	9322 215 40682	LCD screen LC201V02-A3K9
7d*	9322 211 48682	LCD screen LC171W03-A4KC
7e*	9322 214 13682	LCD screen QD23WL05
8a*	2422 264 00506	Loudspeaker 8Ω 5W
8b*	2440 257 30702	Loudspeaker 4Ω 5W
8c*	2422 264 00519	Loudspeaker 8Ω 5W
8d*	2422 264 00526	Loudspeaker 4Ω 5W
8e*	2422 264 00518	Loudspeaker 8Ω 5W

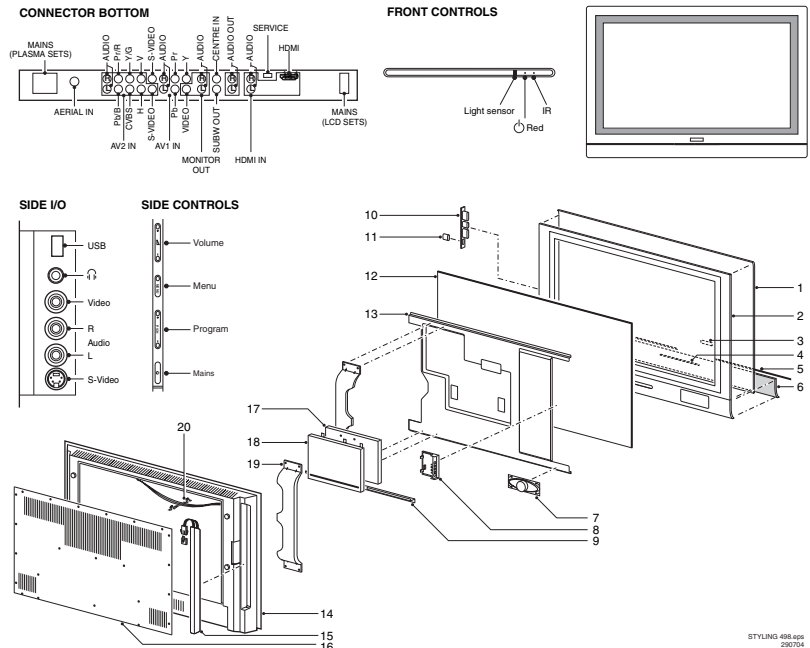
9a*	3139 177 85641	Connector plate
9c*	3139 177 82781	Connector plate
9e*	3139 177 71831	Connector plate
10a*	3139 128 77331	Metal stand
10bd*	3139 128 77051	Metal stand
10ce*	3139 128 76981	Metal stand
11	Not applicable	
ace*	3139 120 01731	Word mark
bd*	3139 120 01651	Word mark
	3139 124 43391	Light guide
	2422 076 00546	Aerial cable
	3128 147 15821	Remote control RC1553801/01
	3139 238 08141	Remote control RC19335019/01
	3128 147 14871	Remote control RC19042008/01
	2422 070 98151	Mains cord EU
	9965 000 07586	Mains cord UK
*a	26PF8946	
*b	15PF8946	
*c	20PF8846	
*d	17PF8946	
*e	23PF8946	

STYLING 496



1	3104 328 30484	Front assy sw 42" (/12, /79, /93, /98)	17	3104 328 32962	Back cover sw 50" (/12, /69, /93)
1bd*	3104 328 30474	Front assy w 42"	17	3104 308 12601	Back cover w 50"
1	3104 328 30984	Front assy w 42" (/37)	17a*	3104 328 32952	Back cover sw 50" (/37)
1e*	3104 328 35595	Front assy w 42" (/37)	18	3104 328 33232	Back cover sw 50" (/37)
1	3104 328 30463	Front assy sw 50" (/12, /69, /93)	18	3104 328 35023	Ambient light R 42"
1	3104 328 30453	Front assy w 50" (/37)	18	3104 328 30683	Ambient light R 42"
1a*	3104 328 33461	Front assy w 50"	18	3104 304 27331	Ambient light fake cover 42"
1c*	3104 328 35043	Front assy sw 50"	18	3104 328 33343	Ambient light L 42"
2	3104 308 11502	Midframe assy sw 42" (/12, /79, /93, /98)	18c*	3104 304 27441	Ambient light L 50"
2	3104 308 11492	Midframe assy w 42" (/37)	19	3104 301 24761	Ambient light fake cover sw 50"
2	3104 308 11442	Midframe assy sw 50" (/12, /69, /93)	19e*	3104 301 25391	Back plate 42"
2	3104 308 11432	Midframe assy w 50" (/37)	19	3104 301 24872	Back plate 50"
2a*	3104 308 12631	Midframe assy w 50"	19a*	3104 301 25201	Back plate 50"
3	3104 300 12381	Word mark PHILIPS	20	3104 328 32453	Chassis frame 42"
4	3104 304 26791	IR Window sw 42" - 50" (/12, /69, /79, /93, /98)	20	3104 328 32444	Chassis frame 50"
4	3104 304 26781	IR Window w 42" - 50" (/37)	21	3104 308 11971	Isolation block 42"
5	3104 304 26801	Strip L+R sw 42" (/12, /79, /93, /98)	22	3104 308 11951	Fixation bracket L 42"
5	3104 304 26931	Strip L+R sw 50" (/12, /69, /93)	22	3104 328 32201	Fixation assy L 50"
6	3104 308 11521	Grill front sw 42" (/12, /79, /93, /98)	23	3104 308 11942	Bottom shielding
6	3104 308 11511	Grill front w 42" (/37)	24	3104 308 11932	Top shielding
6	3104 308 11461	Grill front sw 50" (/12, /69, /93)	25	3104 304 27671	Ambient light wire bracket
6	3104 308 11451	Grill front w 50" (/37)		3104 308 78791	Glass stand step 42" - 50" (/37)
6a*	3104 308 12641	Grill front w 50"		3104 308 78701	Upright stand step 42" - 50" (/37)
7	2441 257 10002	Loudspeaker L/R		3104 301 24731	Wall mount bracket 42" (/12, /79, /93, /98)
8	2441 257 10003	Loudspeaker L/R pass.		3104 301 62851	Wall mount bracket 42" (/37)
9	3104 308 12471	Loudspeaker box assy 42"		3104 301 62821	Wall mount bracket 50" (/12, /69, /93)
10	3104 301 25111	Connection bracket 42"	c*	3104 301 62861	Wall mount bracket 50" (/37)
11	3104 328 32463	Side I/O		3128 147 16191	Remote control RC4306/01B
11a*	3104 328 33241	Side I/O		3128 147 16201	Remote control RC4307/01B (/37)
12	3104 308 11961	Fixation bracket R 42"		3128 147 14431	Remote control RC4302/01 (/12, /69, /79, /93, /98)
12	3104 328 32211	Fixation assy R 50"		2422 070 98223	Mains cord us
13	3104 328 31645	Side controls		2422 070 98422	Mains cord eur
14	3104 308 11603	Mains knob		2422 070 98258	Mains cord uk
15	3104 304 90491	Glass plate 42" (/12)		2422 070 00015	Mains cord aus/nz
15	3104 304 90421	Glass plate 42" (/37, /79, /93, /98)		2422 070 00017	Mains cord chn
15	3104 304 90411	Glass plate 50" (/12, /37, /69, /93)		42PF9966/12	
16	9322 212 78682	PDP FPF42C128128UC-52 (/12)		42PF9966/37	
16	9965 000 26016	PDP S42AX-XB01 (/37, /79, /93, /98)		42PF9966/79	
16b*d*	9965 000 25997	PDP S42SD-YB03	*b	42PF9966/93	
16	9965 000 26017	PDP S50HW-XB02 (/12, /37, /69, /93)	*d	42PF9966/98	
17	3104 328 32983	Back cover sw 42" (/12, /79, /93, /98)	*e	42PF9966/99	
17	3104 328 33173	Back cover w 42" (/37)	*c	42PF9956/12	
17e*	3104 328 37943	Back cover w 42" (/37)		42PF9956/93	
17b*d*	3104 308 12782	Back cover w 42"		42PF9976/37	
				50PF9956/37	
				50PF9966/12	
				50PF9966/37	
				50PF9966/69	
				50PF9966/98	
				50PF9986/37	
				50PF9986/69	
				50PF9986/98	
				50PF9986/37	

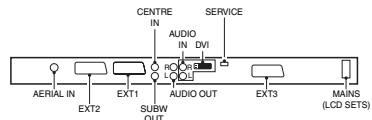
STYLING 498



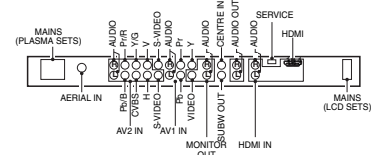
1a*	3104 308 13111	Front assy w 32"	3128 147 16201	Remote control RC4307/01B (/37, /61)
1b*	3104 308 11541	Front assy sw 32"		
1c*	3104 328 36921	Front assy sw 32"		
2a*	3104 308 11551	Midframe assy w 32"	3128 147 14431	Remote control RC4302/01 (/69, /93, /98)
2bc*	3104 308 11561	Midframe assy sw 32"		
3	3104 300 12381	Word mark PHILIPS	c*	3128 147 14411
4a*	3104 304 27291	IR Window w 32"		2422 070 98208
4bc*	3104 304 27301	IR Window sw 32"		2422 070 98259
5bc*	3104 304 27021	Strip L+R sw 32"		2422 070 98251
6a*	3104 308 11571	Grill front w 32"		2422 070 00016
				2422 070 00025
6bc*	3104 308 11581	Grill front w 32"		2422 070 98146
7	2441 257 10003	Loudspeaker L/R		
8	3104 328 32463	Side I/O	*a	32PF9966/37
9	3104 301 25111	Connection bracket	*b	32PF9966/69
10	3104 328 35723	Side controls		32PF9966/93
				32PF9966/61
11	3104 308 11603	Mains knob	*c	32PF9976/12
12	9322 209 35682	TFT LCD LQ315T3LZ13		
12	9322 217 44682	TFT LCD LC320W01-A6K1		
13	3104 308 12672	Chassis frame		
14	3104 328 33601	Back cover		
14a*	3104 308 12751	Back cover		
14c*	3104 328 36931	Back cover		
15	3104 328 35013	Ambient light R 32"		
15	3104 328 30693	Ambient light L 32"		
16	3104 301 24932	Back plate 32"		
17	3104 308 11932	Bottom shielding		
18	3104 308 11942	Top shielding		
19	3104 301 24911	Fixation bracket 32"		
20	3104 304 27632	Ambient light wire bracket		
	3104 308 78691	Glass stand step 32"		
	3104 308 78681	Upright stand step 32"		
a*	3104 301 62851	Wall mount bracket 32"		
bc*	3104 301 24731	Wall mount bracket 32"		

STYLING 499

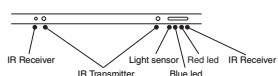
CONNECTOR BOTTOM (EU & AP Version)



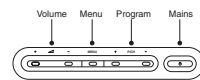
CONNECTOR BOTTOM (USA Version)



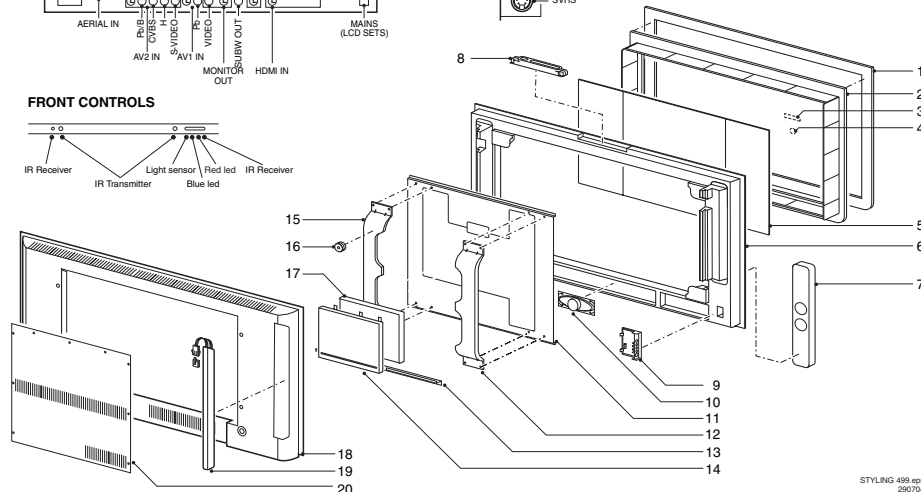
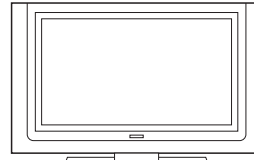
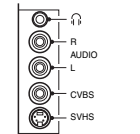
FRONT CONTROLS



TOP CONTROLS



SIDE I/O

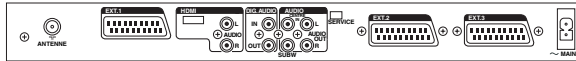


STYLING 499.aps
290704

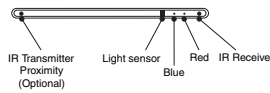
1	3104 308 11751	Inner front assy LCD 32"	18	3104 328 30771	Back cover 37"
1	3104 308 11771	Inner front assy LCD 37"	18	3104 328 30751	Back cover 42"
1	3104 308 11731	Inner front assy LCD 42"	19	3104 328 35013	Ambient light R 32" + 37"
2	3104 308 11761	Outer front assy LCD 32"	19	3104 328 30693	Ambient light L 32" + 37"
2	3104 308 11781	Outer front assy LCD 37"	19	3104 328 35023	Ambient light R 42"
2	3104 308 11741	Outer front assy LCD 42"	19	3104 328 30683	Ambient light L 42"
3	3104 304 26541	Light guide	20	3104 308 11851	Back plate 32"
4	3104 304 27411	Lens Proximity sensor	20	3104 308 11862	Back plate 37"
4	9322 209 35682	TFT LCD screen LQ315T3LZ13	20	3104 308 11841	Back plate 42"
5	9322 206 52682	TFT LCD screen LC370W01-A5	20	3104 308 78651	Glass stand 32"
5	9322 211 11682	TFT LCD screen LC420W02-A4K3	3104 308 78661	Glass stand 37"	
6	3104 328 30733	Cabinet 32"	3104 308 78761	Glass stand 42"	
6	3104 328 30744	Cabinet 37"	3104 308 78781	Glass stand 32" + 37" + 42"	
6	3104 328 30723	Cabinet 42"	3104 301 24731	Wall mount bracket EUR	
7	3104 130 02561	Loudspeaker - set 32"	3104 301 62851	Wall mount bracket US	
7	3104 130 02571	Loudspeaker - set 37"	3128 147 14431	RC4302/01 remote EUR	
7	3104 130 02581	Loudspeaker - set 42"	3128 147 16201	RC4307/01 remote US	
8	3104 328 30784	Top control	2422 070 98259	Mains cord EUR	
9	3104 328 30792	Side I/O	2422 070 98251	Mains cord UK	
10	2441 257 10001	loudspeaker centre	2422 070 98208	Mains cord US	
11	3104 308 11892	Chassis frame 32"	XXPF9986/XXX		
11	3104 308 11902	Chassis frame 37"	XXPF9996/XXX		
11	3104 308 11881	Chassis frame 42"			
12	3104 308 13161	Fixation bracket R 32"			
12	3104 308 13171	Fixation bracket R 37"			
12	3104 308 13151	Fixation bracket R 42"			
13	3104 301 25111	Connection bracket 32"			
13	3104 301 24711	Connection bracket 37"			
14	3104 308 11931	top shielding			
15	3104 308 13161	Fixation bracket L 32"			
15	3104 308 13171	Fixation bracket L 37"			
15	3104 308 13151	Fixation bracket L 42"			
16	3104 308 12071	Mushroom			
17	3104 308 11942	Bottom shielding			
18	3104 328 30761	Back cover 32"			

STYLING 500

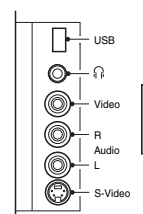
CONNECTOR BOTTOM



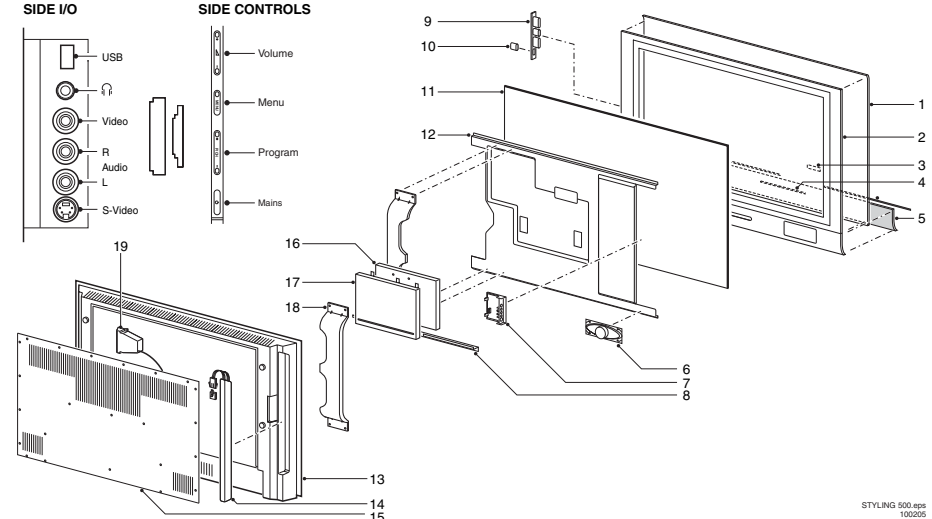
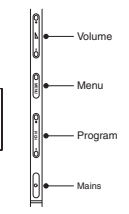
FRONT CONTROLS



SIDE I/O



SIDE CONTROLS



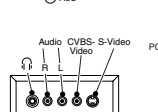
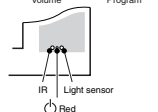
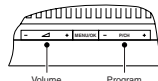
STYLING 500.aps
100205

1	3104 308 11531	0003	Front assy w 32"
2	3104 308 11551	0158	Midframe 32"
3	3104 300 12381	0050	Word mark PHILIPS
4	3104 304 27292	0041	IR window
5	3104 308 11571	0151	Grill assy 32"
6	2441 257 10002	5213	Loudspeaker
7	3104 328 33211	1116	Side I/O assy
8	3104 308 11613	0036	Connecting plate assy
9	3104 328 32471	1114	Side control assy
10	3104 308 11601	0049	Mains knob assy
11	9322 209 35682	1004	LCD display 32"
12	3104 308 12672	0206	Chassis frame 32"
13	3104 328 32991	0010	Back cover assy 32"
14	Not Applicable		
15	3104 301 24931	0156	Metal back plate 32"
16	3104 308 11922	0071	Bottom shielding
17	3104 308 11912	0070	Top shielding
18	3104 301 24912	0164	Fixation bracket
19	3104 328 29911	0150	Card reader assy

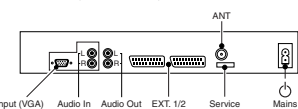
32PF9956/12

STYLING 504

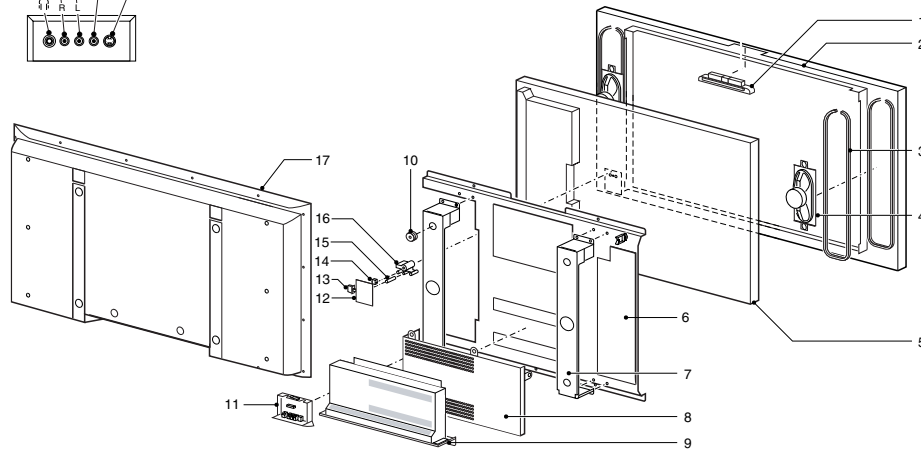
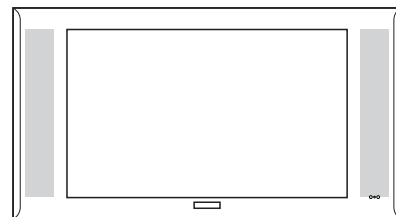
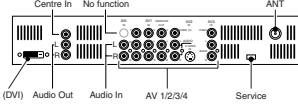
TOP CONTROLS



Connections (EU & AP Version)



Connections (USA Version)

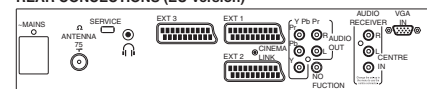


STYLING 504.eps
251004

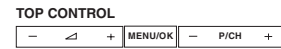
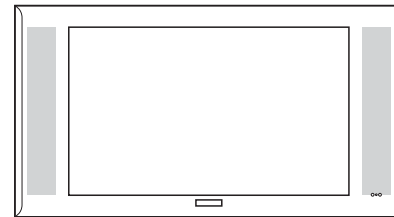
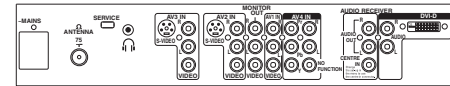
1	3104 328 32821	Top control	3104 308 11151	Wall mount bracket 30"
2	3104 328 32511	Front Assy 30" (AUO displ.)		Magnavox
2	3104 328 32611	Front assy (LPL displ.)	3139 238 07181	Remote control RC4333/01 (/12)
2	3104 328 38351	Front assy (LPL ITV)		
3	3104 328 10831	Foam 250x15x0,5	3139 238 07591	Remote control RC4335/01 (/98 /79)
4	3104 308 78531	Loudspeaker L/R	3139 238 10141	Remote control RC4341/01B (Magnavox US)
5	9322 206 53682	LC300W01 C5 (LPL) 30"	2422 070 98251	Mains cord /05 /98 /79
5	9322 206 49682	T296XW01 (AUO) 30"		
6	3104 328 32572	Chassis frame for AUO displ. 30"	2422 070 98259	Mains cord /12 /98
6	3104 328 32582	Chassis frame for LPL displ. 30"	2422 070 00016	Mains cord /79
6			2422 070 98208	Mains cord Magnavox US
7	3104 301 25001	Fixation bracket 30"	2422 070 98146	Mains cord /93
8	3104 308 12321	Bottom shielding	30PF9946/xx	
9	3104 308 12331	Top Shielding	30PF9946D/37	
10	3104 308 12071	Mushroom assy	30HF9442/12 (ITV)	
11	3104 328 26371	Side I/O	30MF200V/17 (Magnavox US)	
12	3104 328 34781	Led + Switch assy		
13	3104 308 11271	Mains knob		
14	3122 124 36461	Daylight filter		
15	3122 124 36272	Light guide cover		
16	3122 124 36461	Light guide lens system		
17	3104 308 12191	Back cover 30"		
	3104 300 12241	Word mark PHILIPS		
	3141 050 00431	Magnavox word mark (30MF200V/17)		
	3104 308 78731	Stand 30" PHILIPS		
	3104 308 11141	Stand 30" Magnavox		
	3104 301 25171	Wall mount bracket 30" Philips		

STYLING 505

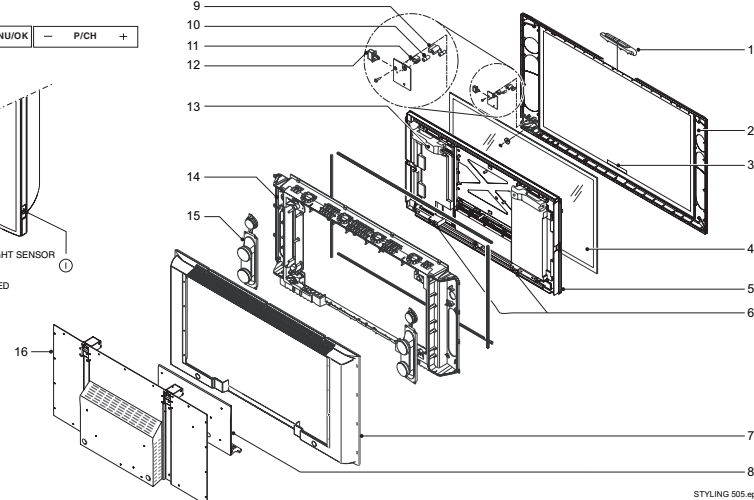
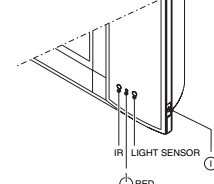
REAR CONNECTIONS (EU Version)



REAR CONNECTIONS (USA Version)



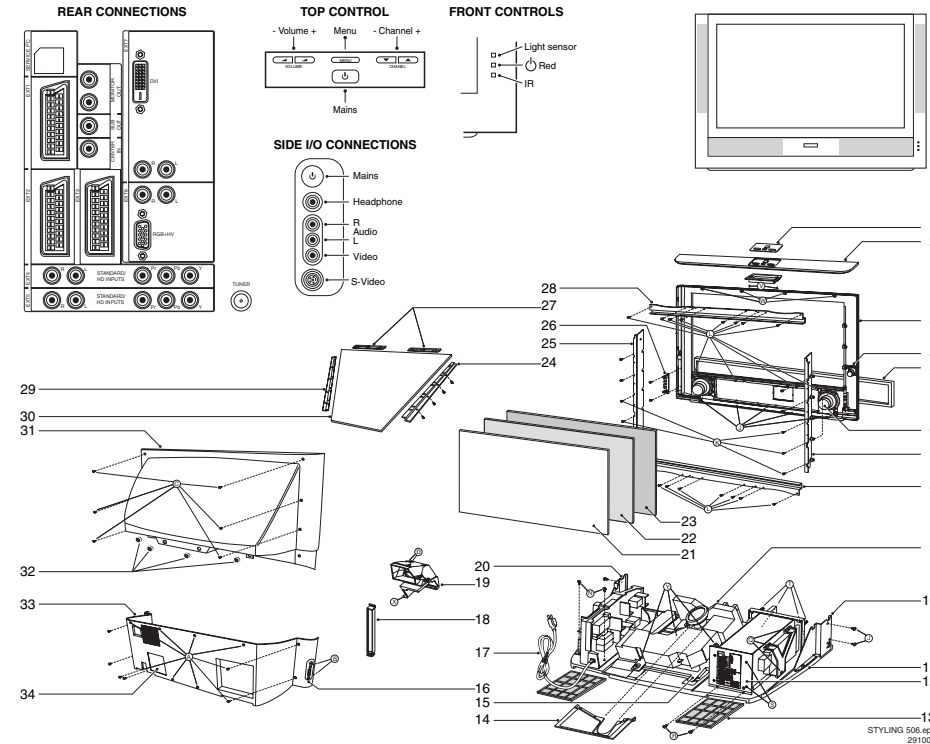
FRONT CONTROL



STYLING 505.eps
271004

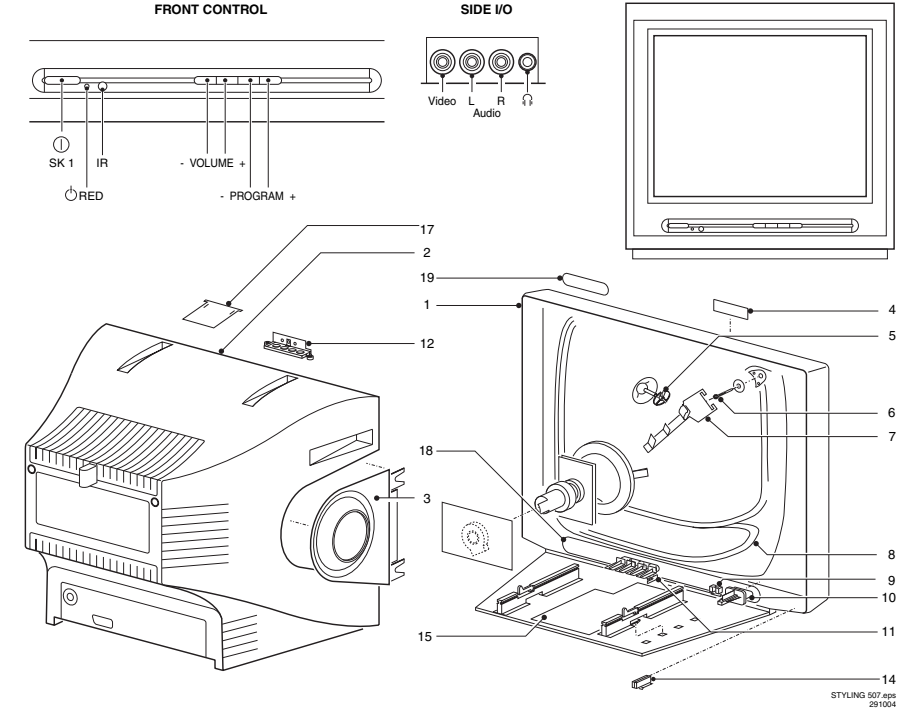
1	3104 328 32831	Top control	37PF9936/xx
2	3104 328 32531	Front assy 37"	37PF9975/xx
2	3104 328 32551	Front assy 42"	42PF9946/xx
2	3104 328 38491	Front assy 42" (ITV)	42HF9442/xx (ITV)
2a*	3104 328 32582	Front assy 42"	42PF9936D/xx
3	3104 300 12241	Word mark PHILIPS	*a 107P4/10 (42")
4	3104 304 27401	Glass plate 37"	
4	3104 304 27391	Glass plate 42"	
5	9965 000 26018	PDP Panel 37"	
5	9965 000 25997	PDP Panel 42"	
6	3122 128 14712	PDP bracket 37"	
7	3122 128 14721	Back display 37"	
7	3122 128 14222	Back display 42"	
7a*	3122 128 14261	Back display 42"	
8	3104 308 12362	Connect plate assy 37", 42"	
9	3122 124 36461	Lens system	
10	3122 124 36271	LED guide	
11	3122 124 36081	Day light filter	
12	3122 128 13901	Mains knob	
13	3104 308 12001	Block assy PDP 37"	
13	3104 308 11991	Block assy PDP 42"	
14	3104 328 32631	Shielding frame 37"	
14	3104 328 36631	Shielding frame 42"	
14a*	3104 328 36641	Shielding frame 42"	
15	3104 308 78551	Speaker	
16	3104 308 12261	Metal back plate 37"	
16	3104 308 12271	Metal back plate 42"	
	37PF9946/xx		
	37PF9946D/xx		

STYLING 506



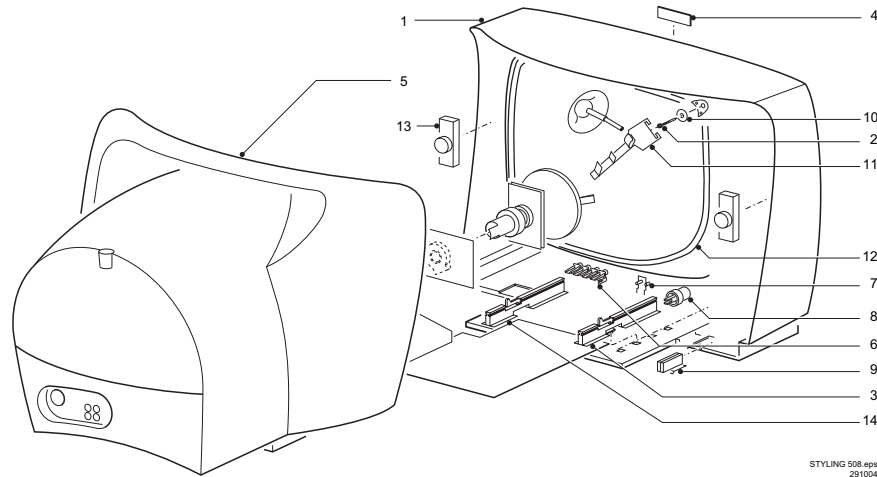
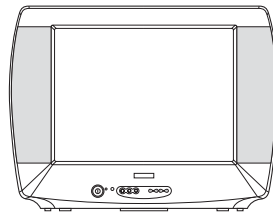
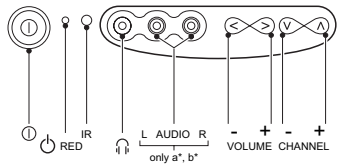
1	3135 030 00411	Overlay control	25	3135 031 20373	Rail vertical left
2	3135 037 52701	Top cover	26	3135 034 01872	Frame LED sensor board
3	3135 037 54831	Front	27	3135 034 01501	Support mirror top
4	2422 264 00464	Tweeter	28	3135 031 20362	Rail horizontal
5	3135 037 54841	Grille	29	3135 034 01521	Support mirror left
6	2422 264 00463	Woofer	30	3135 034 90122	Mirror
7	3135 031 20383	Rail vertical right	31	3135 037 52881	Rear cover upper
8	3135 031 20362	Rail horizontal	32	3135 030 40151	Cap mounting
9	3122 438 71800	Light engine	33	3135 037 52891	Rear cover lower
	3122 438 71310	Lamp	34	3135 034 04271	Door lamp access
10	9137 001 77705	Lamp supply			
11	3135 031 20264	Bracket right interconnect			
12	3135 034 02721	Bottom plate			
13	3135 037 54851	Label rear jack			
	3135 037 51811	Filter			
14	3135 034 04241	Light shield			
15	3135 034 01923	Bracket light engine			
16	3135 037 51623	Cover side jack			
17	3135 031 01721	Mains cord EU			
17	3135 031 01711	Mains cord UK			
18	3135 034 01421	Support back			
19	3135 038 70051	Fan assy			
	3135 034 01432	Lamp cap back			
	3135 034 01441	Lamp cap front			
20	3135 031 20274	Bracket left interconnect			
21	3135 033 20301	Fresnel lens			
22	3135 033 20311	Lenticular lens			
23	Not applicable				
24	3135 034 01511	Support mirror right			

STYLING 507



1	3141 047 81371	Cabinet 29"	14	Not applicable	
1	3141 057 81761	Cabinet 34"	15	3141 054 23421	Chassis tray
1ab*	3141 057 69581	Front Cabinet 21"	16	Not applicable	
1c*	3141 047 74961	Front Cabinet 25"	17	Not applicable	VO plate
1de*	3141 047 83031	Front Cabinet 25"	18	3139 177 77971	Front lens
1fg*	3141 047 74741	Front Cabinet 29"	18ab*	3141 057 69611	Front lens
2	3141 057 85051	Rear cover 29"			
2	3141 057 81751	Rear cover 34"			
2a*	3141 057 80971	Back Cover 21SYRFA (12AV+SVHS)	19	Not applicable	
		Back Cover 21SYRFA (4AV)	20	Not applicable	
2b*	3141 057 80981	Back Cover 25SYRFB/12AV+SV			
2c*	3139 177 82871	Back Cover 25SYRFB	9322 213 83682	Picture tube 29"	A68QCP691X500
2d*	3139 177 85681	Back Cover 25SYRFB	9301 953 60542	Picture tube 34"	A80ERF142X45
2e*	3139 177 85671	Back Cover 29SYRFB	9322 202 27682	Picture tube 21"	A51AKL13X10R
2f*	3139 177 85631	Back Cover 29SYRFB		Picture tube 25"	A59QDC280X61(N)
2g*	3139 177 85661	Back Cover 29SYRFB	9301 943 70522	Picture tube 29"	A68QCU770X73(N)
3	2422 264 00484	Loudspeaker 8Ω 15W	9301 946 60542	Picture tube 29"	A68QCU770X73(N)
3a*	2422 264 00505	Loudspeaker 8Ω 5W			
3b*	2422 264 00479	Loudspeaker 16Ω 5W	3139 124 46671	Mains control bracket	
3c*	2422 264 00475	Loudspeaker 16Ω 20W	3141 054 23441	SSB bracket	
3de*	2422 264 00476	Loudspeaker 16Ω 10W	3141 051 20521	SSB cover shielding	
3fg*	2422 264 00482	Loudspeaker 16Ω 10W	3141 051 20531	SSB main shielding	
4	3141 120 01671	Word mark 29"	3141 5054 23431	Interface board bracket	
4	3141 050 00511	Word mark 34"	4622 006 06061	Mains cord	
4abde*	3139 120 01601	Word mark 20LCS			
5	3141 054 22031	EHT spacer			
6	4822 502 14602	CRT fixing screw			
6ab*	4822 502 14508	CRT fixing screw			
6cde*	4822 505 11195	CRT fixing screw			
7	Not applicable	Degaussing coil bracket	a*	29PT7333/93R	
8	3139 128 23791	Degaussing coil 29"		34PT7333/93R	
8	3104 308 20581	Degaussing coil 34"		21PT3224/93R	
8a*	4822 157 11444	Degaussing coil 21"		21PT2324/79R	
8b*	4822 157 11446	Degaussing coil 21"		25PT4524/93R	
8cde*	2422 549 45778	Degaussing coil 25"		25HT3312/93R	
8fg*	3139 128 23381	Degaussing coil 29"		25HT3317/93Y	
9	3139 124 47501	Light guide (3 LENS)		29HT3312/93R	
10	3139 177 69551	Mains knob		29HT3317/93Y	
10ab*	3141 057 69591	Mains knob			
11	3139 177 75181	Control knobs			
11ab*	3141 057 69601	Control knobs			
12	3139 124 48601	Side I/O bracket (3P HP SV)			
12a*	3139 124 48531	Side I/O bracket (3P+HP)			
12b*	3139 124 49861	Side I/O bracket (2P+HP)			
13	Not applicable				

STYLING 508

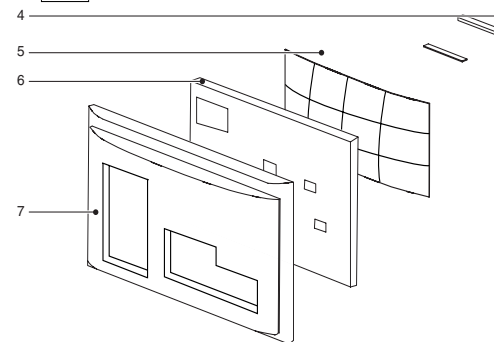
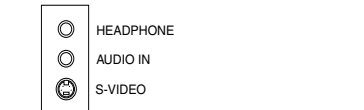
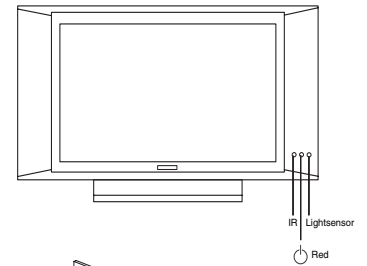
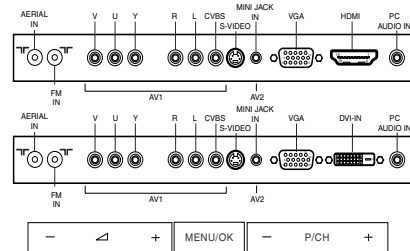


STYLING 508.eps
291004

- | | | |
|----|----------------|----------------------------------|
| 1 | 3139 177 60861 | Cabinet |
| 2 | 4822 502 14508 | CRT fixation screw |
| 3 | 4822 463 11125 | Chassis guide (VO) |
| 4 | 3139 120 01551 | Word mark |
| 5 | 3139 124 45071 | Rear cover |
| 6 | 3139 137 68342 | Control knob |
| 7 | 4822 380 10207 | Light guide |
| 8 | 3139 177 60831 | Mains knob |
| 9 | 4822 466 11453 | Mains cord relief |
| 10 | 4822 532 12744 | EHT spacer (3.3mm) |
| 11 | 4822 404 31025 | Degaussing coil bracket |
| 12 | 3139 128 23841 | Degaussing coil (multi molt) |
| 13 | 4822 240 10393 | Loudspeaker 8Ω 6W |
| 14 | 4822 463 11125 | Chassis guide |
| | 9301 843 10329 | Picture tube 20"
A51EHW135X47 |

20L135/37R

STYLING 517

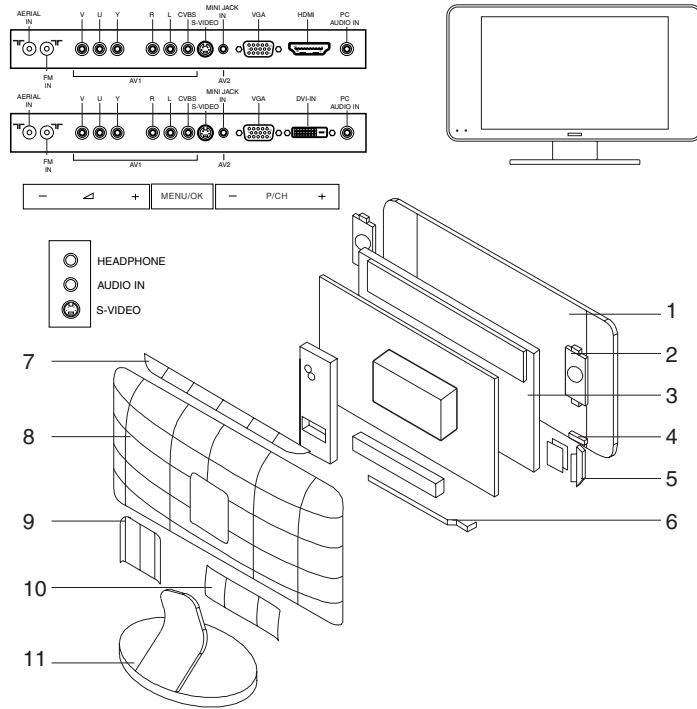


STYLING 517.eps
040205

- | | | |
|----|----------------|----------------------------------|
| 1 | 3139 177 82721 | Top control |
| 2 | 3139 121 28221 | Vesa plate |
| 3 | 3139 124 61451 | Back plate |
| 4 | Not applicable | |
| 5 | 3139 177 85481 | Rear cover |
| 6 | 3139 177 85491 | Front Cabinet pearl white silver |
| 6 | 3139 124 61471 | Front Cabinet light grey |
| 7 | 9322 212 69682 | LCD screen LC260W01-A5K6 |
| 8 | 2422 264 00506 | Loudspeaker 8Ω 5W |
| 9 | 3139 177 85641 | Connector plate |
| 10 | 3139 128 77331 | Metal stand |
| 11 | Not applicable | |
| | 3139 120 01731 | Word mark |
| | 3139 124 43391 | Light guide |
| | 2422 076 00546 | Aerial cable |
| | 3128 147 15821 | Remote control RC1553801/01 |
| | 2422 070 98151 | Mains cord EU |

26PF8946/12

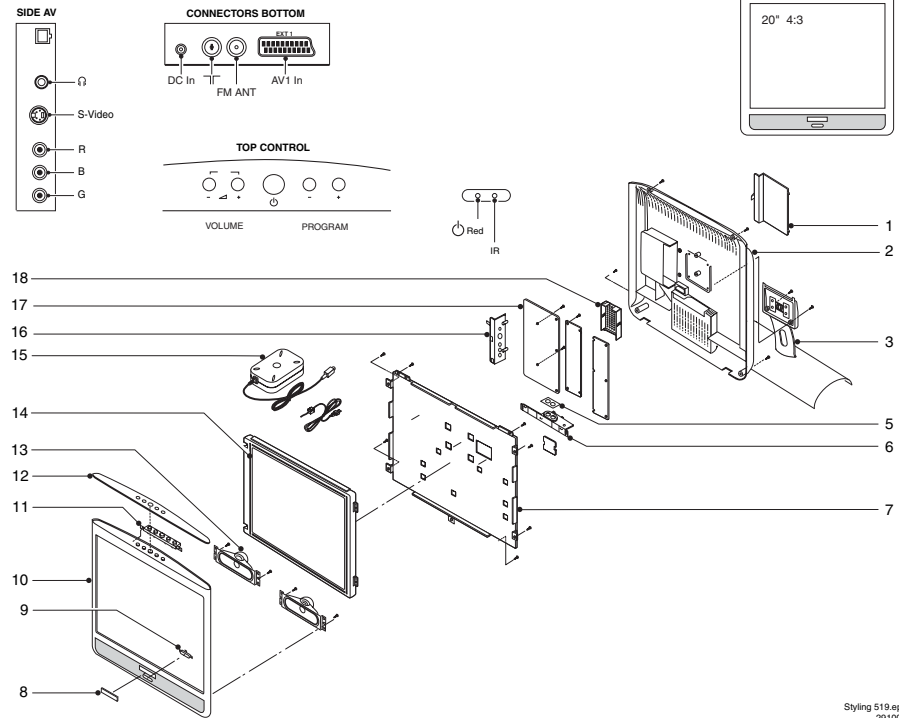
STYLING 518



Styling 518.eps
291004

1a*	3141 047 80851	Front Cabinet (-/37)	3139 128 77421	VESA plate stand (spacer. for /37 only)
1b*	3141 047 83331	Front Cabinet (-/37)		
1c*	3141 047 78791	Front Cabinet (-/79 & -/98)	3139 120 41551	Stand screw
1d*	3141 047 83391	Front Cabinet (-/37)	3128 147 15921	Remote control RC1553803/01 (for -/37 only)
1e*	3141 047 77111	Front Cabinet (-/79 & -/98)		
1f*	3141 047 83411	Front Cabinet (-/79 & -/98)	ace*	3128 147 15901
1g*	3141 047 83421	Front Cabinet (-/79 & -/98)		
2a*	2422 264 00507	Loudspeaker 8Ω 5W	fg*	3139 238 08571
2bcddefg	2422 264 00506	Loudspeaker 8Ω 5W		
3a*	9322 196 32682	LCD Panel LC171W03-A4	2422 070 98208	Mains cord UL (for -/37 only)
3bcf*	9322 212 69682	LCD Panel LC260W01-A5K6	2422 070 98248	Mains cord AUS/NZ (for -/79 only)
3deg*	9322 209 84682	LCD Panel LC230W01-A2K8		
4a*	3139 124 49011	Lens 17"	2422 070 98151	Mains cord EU (for -/98 only)
4bc*	3139 124 60071	Lens 26"	2422 076 00584	Cable VGA to CINCH (red, green and blue) 1.5m
4de*	3139 124 60061	Lens 23"		
4fg*	3139 124 61321	Lens 23" Pixel plus	2422 076 00604	Antenna cable F-type (for -/37 only)
5	3139 124 49031	Control knobs LCO4		
6a*	3139 177 80711	Connector plate B/CINCH/HDMI 17" (-/37)	2422 076 00474	Antenna cable IEC-type (for -/79 & -/98 only)
6a*	3139 177 77521	Connector plate B/CINCH/CVI 17" (-/79 & -/98)	2422 076 00546	FM aerial cable
6bd*	3139 177 80701	Connector plate B/CINCH/HDMI 23/26" (-/37)	2422 076 00585	Cable PHONE to CINCH (red, green and blue) 1.5m
6ceg*	3139 177 77411	Connector plate B/CINCH/CVI 23/26" (-/79 & -/98)	*a	17PF9946
7a*	3139 124 48981	Top ventilator cover 17"	*b	26PF9966
7bcf*	3139 124 49001	Top ventilator cover 26"	*c	26PF9946
7deg*	3139 124 48992	Top ventilator cover 23"	*d	23PF9966
8a*	3141 047 81051	Back Cover 17" (-/37)	*e	23PF9946
8a*	3141 047 80471	Back Cover 17" (-/79 & -/98)	*f	26PF9956
8bcf*	3141 047 80451	Back Cover 26"	*g	23PF9956
8deg*	3141 047 80461	Back Cover 23"		
9a*	3139 124 48951	VESA cover 17"		
9bcf*	3139 124 48971	VESA cover 26"		
9deg*	3139 124 48961	VESA cover 23"		
10a*	3139 124 60601	Door 17" (-/37)		
10a*	3139 124 60591	Door 17" (-/79 & -/98)		
10bcf*	3139 124 48761	Door 26"		
10deg*	3139 124 48771	Door 23"		
11a*	3139 128 77001	Stand 17"		
11bcf*	3139 128 77011	Stand 26"		
11deg*	3139 128 77021	Stand 23"		

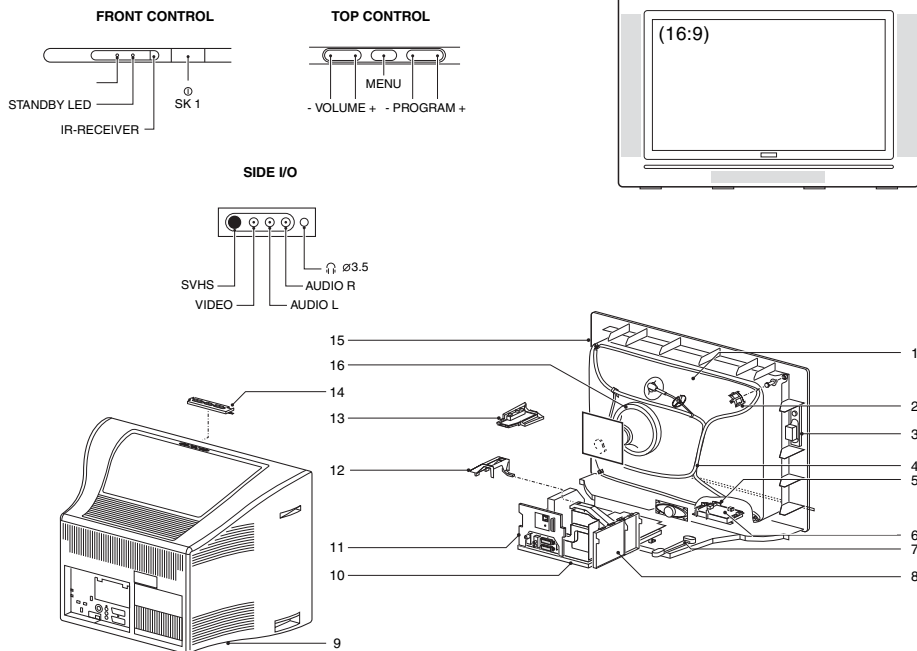
STYLING 519



Styling 519.eps
291004

1a*	3139 177 71241	Top control 14"	2422 070 98151	Mains cord EUR
1c*	3139 188 81571	Top control 15"	2420 070 98147	Mains cord UK
1b*	3139 188 81551	Top control 20"		
2a*	3139 121 28051	Vesa plate 14"	*a	14PF7846/12/58
2c*	3139 177 85360	Vesa plate 20"	*b	15PF7846/12/58
			*c	20PF7846/12/58
2b*	3139 121 28051	Vesa plate 15"		
3	Not applicable			
4	Not applicable			
5ab*	3139 257 60571	Rear cover 14"/15"		
5c*	3111 257 60491	Rear cover 20"		
6a*	3111 257 60561	Front Cabinet 14"		
6c*	3111 257 60482	Front Cabinet 20"		
6b*	3111 257 61231	Front Cabinet 15"		
7a*	9322 207 49682	TFT 14" LCD T140VN01		
7c*	9322 215 40682	TFT 20" LCD LC201V02-A3K9		
7b*	9322 207 48682	TFT 15" LCD LC150X02-A4		
8ab*	2422 264 00512	Loudspeaker 4Ω 5W		
8c*	2422 264 00444	Loudspeaker 8Ω 10W		
9	3139 177 82781	Connector plate		
10a*	3139 128 77082	Metal stand 14"		
10c*	3139 128 77062	Metal stand 20"		
10b*	3139 128 77451	Metal stand 15"		
11	Not applicable			
ab*	3139 120 01771	Word mark 14"/15"		
c*	3139 120 01601	Word mark 20"		
a*	3139 124 46161	LCD lens 14"		
bc*	3139 177 72821	LCD lens 15/20"		
	3139 238 08141	Remote control RC19335019/01		

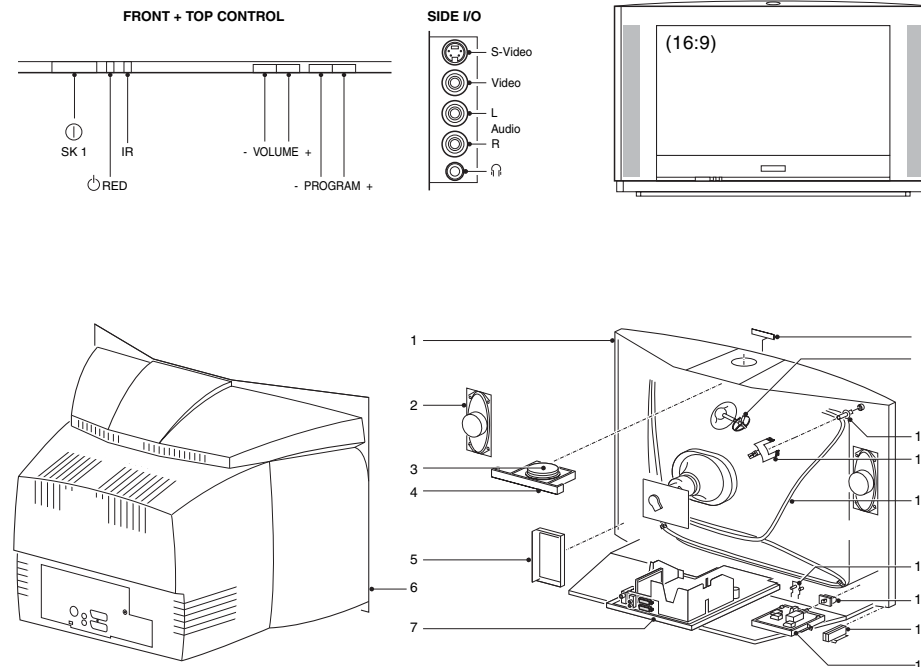
STYLING 520



STYLING 520.eps
291004

1	9301 899 90301	Picture tube 28" W66ERF042x044	3139 177 79041	Strip left + lens 28"
1	9301 967 10306	Picture tube 28" W66ERF172x044	3139 177 77711	Strip left + lens 32"
1	9301 924 90314	Picture tube 32" W76ERF062x044	3104 308 11201	Strip left + lens 28"
1	9322 173 93682	Picture tube 32" W76EKW10x73	3139 177 79051	Strip left + lens 32"
2	4822 404 31341	Coil clamp	3139 177 77701	Strip right 28"
3	3104 308 78721	Loudspeaker 10Ω 12W	3104 308 10951	Strip right 32"
4	2422 549 44621	Degaussing coil 28"	3104 308 10891	Strip right 32"
4	2422 549 44244	Degaussing coil 32"	3104 304 23041	DAF Bracket
5a*	3139 177 75621	Mains knob	3104 304 24151	SSB bracket top
5b*	3104 308 11041	Mains Knob	3104 304 24901	SSB bracket bottom
6	Not applicable		3104 301 24191	Shielding frame SSB A-side
7	3104 304 23471	Mains bracket	3104 301 24201	Shielding frame SSB Z-side
8	Not applicable		3104 301 24211	Shielding SSB A-side
9a*	3104 308 12451	Rear cover 28"	3104 301 24221	Shielding SSB Z-side
9a*	3104 308 12461	Rear cover 32"	3104 304 26161	Bottom plate
9b*	3104 308 11231	Rear cover 28"	3111 250 01041	Word mark 28"
9b*	3104 308 11221	Rear cover 32"	3111 250 01051	Word mark 32"
10	3104 304 23001	Bracket for LSP (Chassis frame)	4822 321 11425	Mains cord EU
11	3104 304 21314	Cover plate SCART	4622 007 51622	Mains cord UK
12	3104 304 24891	LOT support bracket	4822 402 11183	Mains cord relief
13	3104 328 30551	Side I/O	3139 238 07921	Remote control
14	3104 328 30571	Top control	3128 147 14411	Remote control
15a*	3104 328 33011	Cabinet 28" incl. bottom plate	4822 505 11195	CRT screw 28"
15b*	3104 328 27771	Cabinet 28"	4822 502 14602	CRT screw 32"
15a*	3104 328 33021	Cabinet 32" incl. bottom plate		
15b*	3104 328 27731	Cabinet 32"		
16	Not applicable			
	3104 304 25712	Corner coil bracket short 28" + 32"	*a xxPW9309/xx	
	3104 304 25722	Corner coil bracket Long 32"	*b xxpw9509/xx	
	3104 304 21091	Corner coil bracket 32"		
	3104 304 21031	Rotation coil 32"		
	3104 304 25712	Corner coil bracket short 28"		

STYLING 522

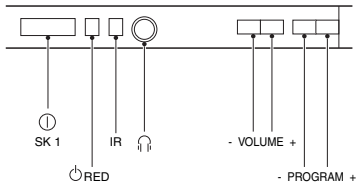


Styling 522.eps
291001

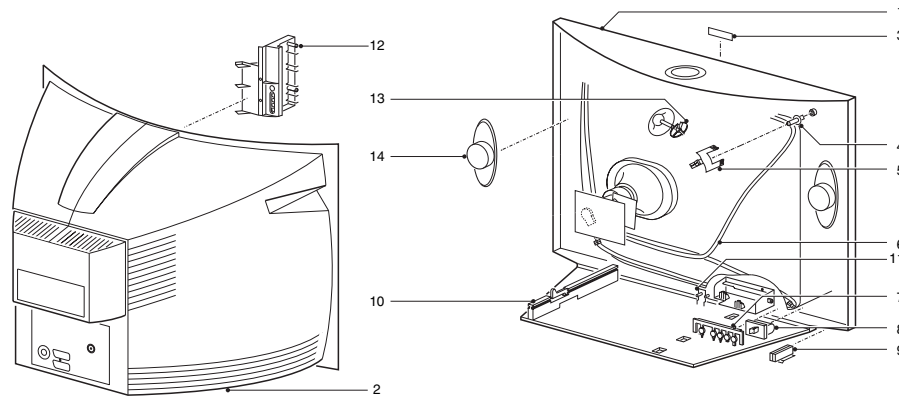
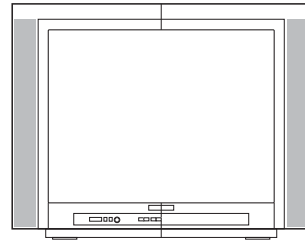
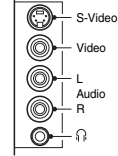
1	3139 177 84511	Cabinet
1c*	3139 124 31561	Cabinet
2	2422 264 00485	Loudspeaker 8Ω 5W
4	3139 124 30381	Top control bracket
4bc*	3139 124 33941	Top control bracket EU
5	3139 124 37662	Side AV bracket
6	3127 107 50111	Rear cover
7	3139 124 61281	Chassis tray
8	3141 050 00291	Word mark PHILIPS
9	3111 254 23481	EHT and degaussing coil clamp
10	4822 502 14602	CRT fixing screw
11	4822 403 70906	Degaussing coil bracket
12	2422 549 00129	Degaussing coil 28"
13	3139 124 31631	Light guide
14	3139 177 72271	Mains knob
14	3139 124 33011	Mains knob shaft
15	4822 404 31291	Mains cord relief
16a*	3139 124 32522	Front interface bracket
16b*	3139 124 32523	Front interface bracket
16c*	3139 124 32521	Front interface bracket
	4822 321 11499	Mains cord EU
	2422 070 98199	Mains cord
	4822 321 11493	Mains cord UK (/05, /25)
	4622 007 51852	Mains cord
	4822 131 11345	Picture tube W66ECK001X14
*a	28PW6008/01	
*b	28PW6008/05	
*c	28PW6008/58	

STYLING 523

FRONT + TOP CONTROL



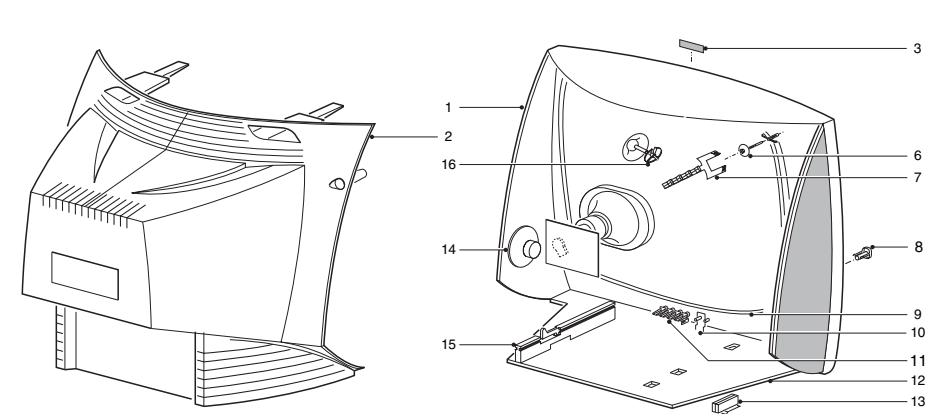
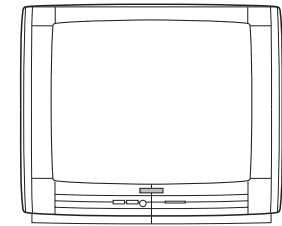
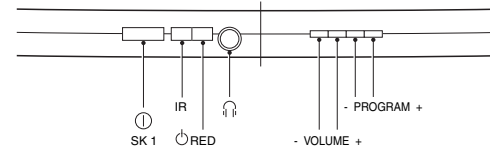
SIDE I/O



Styling 523.eps
291004

1	3127 107 60161	Cabinet 25"	4622 007 51852	Mains cord
1cd*	3127 107 60071	Cabinet 28"	2422 070 98199	Mains cord
1e*	3127 107 60091	Cabinet 28"	4622 009 50501	Mains cord
2ab*	3127 107 50081	Rear cover	3111 257 71441	Stand (silver) UK only
2cde*	3127 107 50091	Rear cover		
3	3141 050 00291	Word mark	*a	25PT4458/01
4	4822 505 11195	CRT fixing screw	*b	25PT4458/05
5	4822 403 70906	Degaussing coil bracket	*c	28PT4458/01
6	2422 549 45778	Degaussing coil 25"	*d	28PT4458/05
6cde*	2422 549 00132	Degaussing coil 28/29"	*e	28PT5008/01
7c	3139 137 93871	Control knob		
7	3139 177 65871	Control knob		
7de*	3139 177 65921	Control knob		
8	3139 177 65861	Mains knob		
8cde*	3139 177 65911	Mains knob		
9	4822 404 31291	Mains cord relief		
10	3139 124 30881	Chassis guide		
11	3139 124 35681	Light guide		
11cde*	3139 124 37781	Light guide		
12	3139 124 37662	Side AV bracket		
13	3111 254 23481	Coil & EHT clamp		
14	2422 264 00476	Loudspeaker 16Ω 10W		
14e*	2422 264 00485	Loudspeaker 8Ω 5W		
ab*	4822 131 11184	Picture tube A59EAK071X11		
c*	9301 862 80214	Picture tube A66EAK075X11		
de*	9301 863 00301	Picture tube A66EAK075X21		
	4822 321 11499	Mains cord EU		
	4822 321 11493	Mains cord UK		

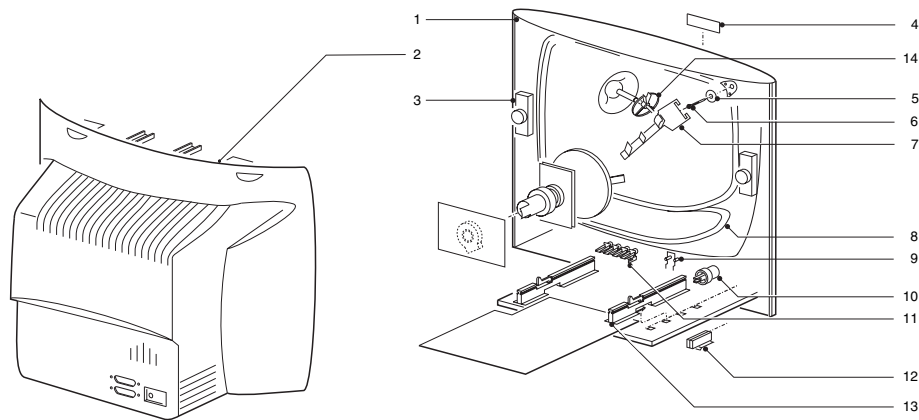
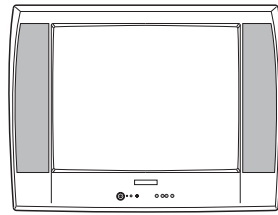
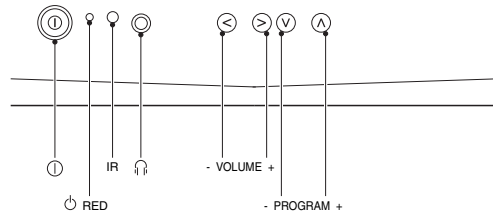
STYLING 524



Styling 524.eps
291004

1	3139 177 84411	Cabinet 28"	9322 147 09682	Picture tube A66EMZ43X07
1c*	3139 177 79521	Cabinet 28"		(.../21)
1de*	3139 177 84471	Cabinet 28"	9301 862 80214	Picture tube A66EAK075X11
2	3111 254 25081	Rear cover 28"		
2c*	3139 124 60081	Rear cover 28"		
2de*	3139 124 49151	Rear cover 28"	*a	28HT5404/01Z
3de*	3141 050 00291	Word mark	*b	28HT5404/05Z
4	Not applicable		*c	28PT4408/01
5	Not applicable		*d	28PT4418/01
6cd*	4822 505 11195	CRT fixing screw	*e	28PT4418/05
6abe*	3104 308 77012	CRT fixing screw		
7	4822 403 70906	Degaussing coil bracket		
8	3139 137 90651	Mains knob		
8bcd*	3139 177 84441	Mains knob		
9bcdef*	2422 549 00132	Degaussing coil 28"		
10	3139 124 37111	Light guide		
11	3139 137 90661	Control knob		
11cde*	3139 177 84431	Control knob		
12	Not applicable			
13	4822 404 31291	Mains cord relief		
14	2422 264 00499	Loudspeaker 16Ω 10W		
15	3139 124 30881	Chassis guide (VO)		
16	4822 401 11765	Coil & EHT clamp		
	4822 321 11499	Mains cord EU		
	2422 070 98199	Mains cord		
	4622 009 50501	Mains cord		
	2422 070 98238	Mains cord UK		
	4622 009 50481	Mains cord UK		
	4822 131 11045	Picture tube A66EAK071X11		

STYLING 525

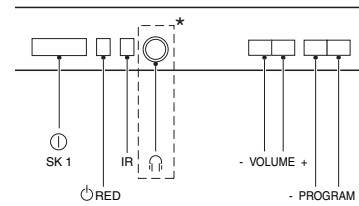


STYLING 525:aps
291004

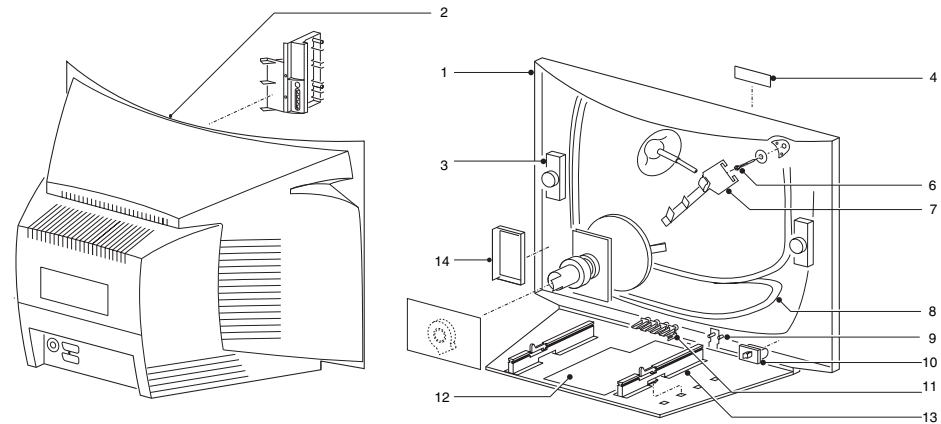
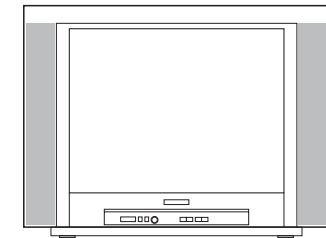
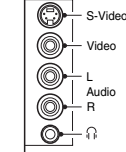
1	3127 107 60111	Cabinet 25"	9301 710 90314	Picture tube 25"
1bc*	3127 107 60101	Cabinet 25"		A59EAK071X11
2	3111 254 25571	Rear cover 25"	4822 321 11499	Mains cord EU
2bc*	3111 254 25071	Rear cover 25"	4822 321 11493	Mains cord UK
3	2422 264 00333	Loudspeaker 16Ω 5W	2422 070 98199	Mains cord UK
			4622 009 50501	Mains cord EU
4	3111 250 00201	Word mark Philips		
5	3111 254 23481	Coil & EHT bracket	*a	25HT5405/01B
6	3139 124 30881	CRT fixing screw	*b	25HT5405/01Z
6bc*	3104 308 77012	CRT fixing screw	*c	25HT5405/05Z
7	4822 403 70906	Corner coil bracket		
7bc*	3104 304 14414	Corner coil bracket		
8	2422 549 45778	Degaussing coil 25"		
9	3139 124 25601	Light guide		
10	3139 137 96621	Mains knob		
11	3139 137 96611	Control knob		
12c	3122 224 04623	Mains cord relief		
12	4822 404 31363	Mains cord relief		
13	3139 124 30871	Chassis guide right (HB)		
14	3139 124 30881	Chassis guide left (VO)		
	9322 147 09682	Picture tube 25"		
		A59EMZ43X07		

STYLING 528

FRONT + TOP CONTROL



SIDE I/O

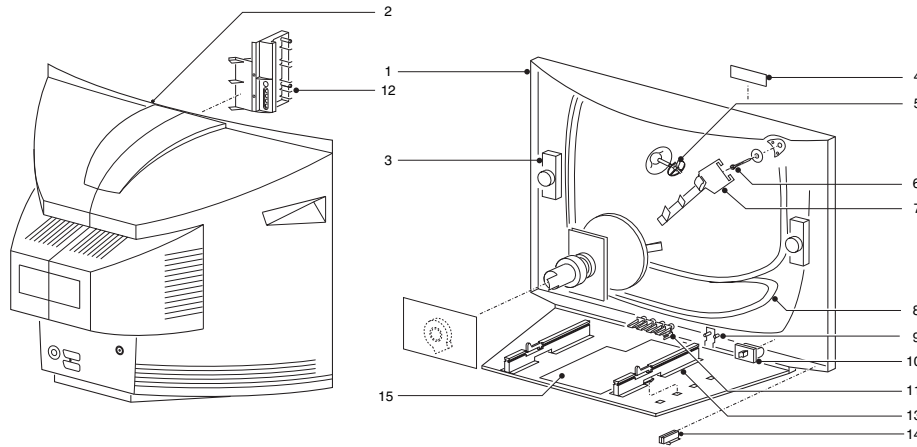
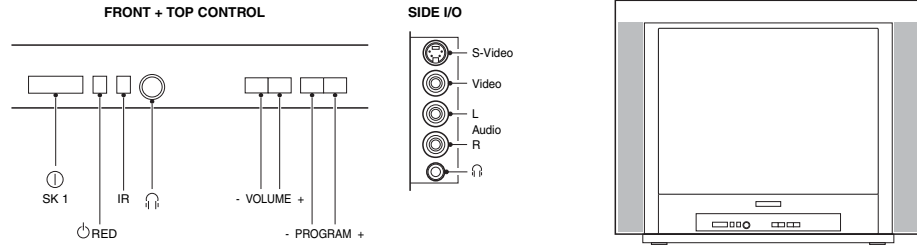


Styling 528:aps
291004

*Not applicable for 21PT5408

1	3139 177 02140	Cabinet 21"
1a*	3139 177 67451	Front Cabinet 21" (HP+3AV)
2	3141 054 22611	Rear cover 21"
3	2422 264 00411	Loudspeaker 16Ω 5W
4	3139 120 01371	Word mark (silver)
4a*	3141 050 00331	Word mark
5	4822 404 31291	Mains cord relief
6	4822 505 11195	CRT fixing screw
7	3139 124 33472	Degaussing coil bracket
8	3139 128 23841	Degaussing coil 21"
9	3139 124 32221	Light guide
10	3139 124 34021	Mains knob
10a*	3139 137 94231	Mains knob
11	3139 124 36311	Control knob
11a*	3139 137 94241	Control knob
12	3139 124 33341	VO plate
13	3139 124 46311	Chassis guide (V0)
14	3139 124 37671	Side I/O bracket 21SDRF(HP+3P)
	9301 903 43301	Picture tube A51ERF135X80
	3139 128 76161	Mains cord
	20PT6331/37C	
a*	20MS3341/37C	

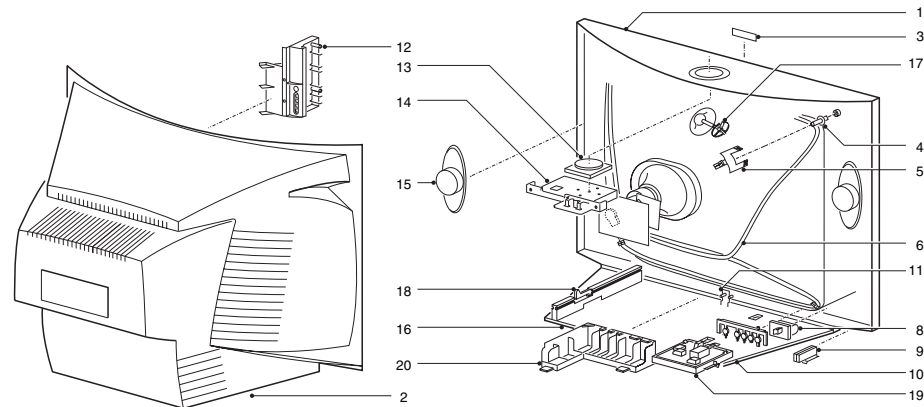
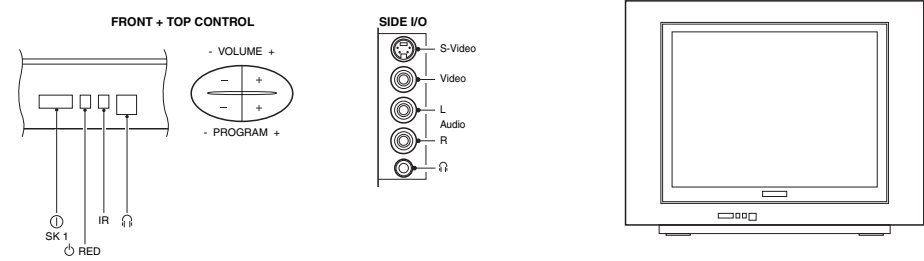
STYLING 529



STYLING 529 app
291004

1	3139 177 58461	Cabinet
2	3139 124 42191	Rear cover NAFTA
3	2422 264 00411	Loudspeaker 16Ω 5W
4	3139 120 01371	Word mark (metal silver)
5	3139 124 23861	EHT spacer
6	4822 502 14508	CRT fixing screw/washer
7	3141 054 22351	Cable tie
8	3141 058 20131	Degaussing coil 21" US
9	3139 124 34401	Light guide
10	3139 177 58441	Mains Knob
11	3139 177 58431	Control knob USA
12	Not applicable	
13	3139 124 30811	Chassis guide (VO)
14	Not applicable	
15	3139 120 21491	VO plate
	9322 202 00682	Picture tube A51KQK99X02
	20L140/37C	

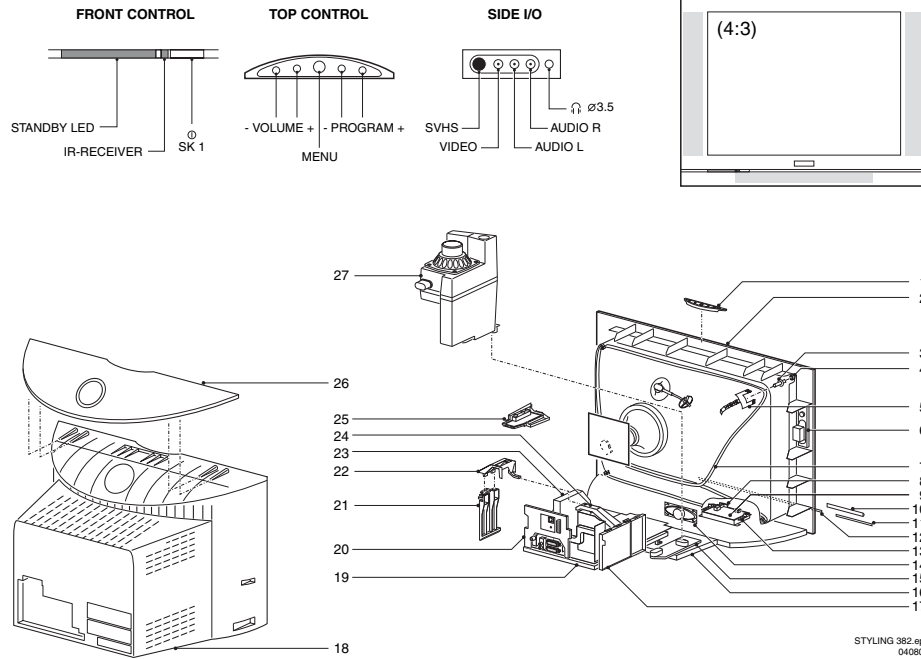
STYLING 530



STYLING 530 app
291004

1	3139 177 65671	Cabinet
2	3141 054 22521	Rear cover (12AV+SVHS) US
3	3139 120 01371	Word mark
4	4822 505 11195	CRT fixing screw
5	3141 054 22351	Cable tie
6	3139 128 23841	Degaussing coil
7	Not applicable	
8	3139 124 34021	Mains knob
9	Not applicable	
11	3139 124 32221	Light guide
13	3139 137 66921	Top control cover
14	3139 124 30381	Top control bracket
15	2422 264 00411	Loudspeaker 16Ω5W
16	Not applicable	
17	4822 532 61201	EHT spacer
18	3139 124 46311	Chassis guide (VO)
19	Not applicable	
20	Not applicable	
	9301 903 43301	Picture tube A51ERF135X80
	20PT6431/37C	

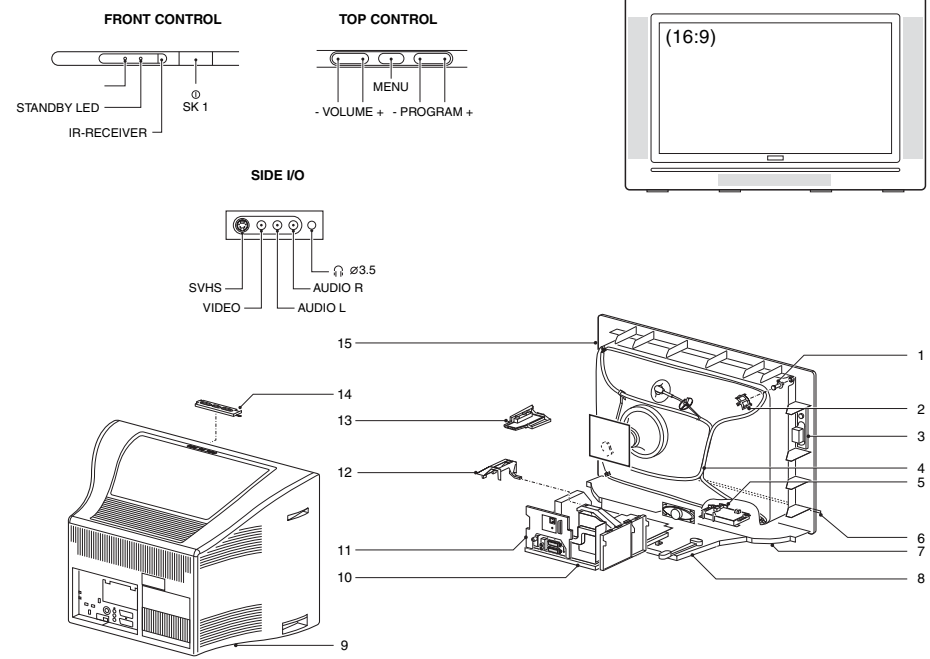
STYLING 534



STYLING 382.eps
040604

1	3104 328 35561	1114	Top control assy	25	3104 328 26751	1116	Side I/O assy
2	3104 328 35271	0005	Cabinet 29"	25	3104 304 23481	0205	Side I/O bracket
2	3104 328 35311	0005	Cabinet 34"	26	3104 307 97561	0008	V0 Top cover 29"
3	4822 500 30034	0014	CRT screw	26	3104 307 97551	0008	V0 Top cover 34"
4	4822 404 31294	0008	CRT fixing insert (VP19000)	27	3104 130 02221	5210	Subwoofer box
5	3139 124 31122	0020	Bracket degaus. coil 29" (4x)		3104 304 22432	0065	Bracket PIP/3D-comb panel
5	3139 124 32811	0020	Bracket degaus. coil 34" (4x)		3139 124 39581	0022	Bracket Rotation coil 29"
6	2422 264 00429	5213	L/R loudspeaker (2x)		3128 138 60661	5205	Rotation coil
7	2422 549 44579	5203	Degaus. coil 29" (/56r, /69,)		9322 160 15682	1099	Picture tube 29"
7	3104 308 20361	5203	Degaus. coil 34" (/56r, /69,)				A68QCP891X501 (/69)
8	3104 308 13121	0049	Mains knob assy		9322 160 14682	1099	Picture tube 29"
9	3104 328 35571	1160	Mains assy				A68QCP891X500 (/56r)
10	3104 304 23461	0041	Light guide		9322 213 83682	1099	Picture tube 29"
11	3104 308 13091	0046	Deco strip short 29"				A68QCP691X500 (/93r)
11	3104 308 23101	0046	Deco strip short 34"		9301 978 20542	1099	Picture tube 34"
12	3104 308 13131	0047	Deco strip Long 29"				A80ERF042X45H (/56r, /93)
12	3104 308 23141	0047	Deco strip Long 34"		9301 978 30542	1099	Picture tube 34"
13	3104 304 23471	0046	Bracket Mains Switch panel				A80ERF042X46H (/69)
14	2422 264 00431	5215	Centre loudspeaker (1x)		3128 147 14411	1850	Remote RC4301/01B
15	3104 304 24241	0063	Subwoofer support bracket		4822 321 11493	8190	Mains cord (/56r)
16	3104 304 23501	0032	Bottom plate 29"		4822 321 11499	8190	Mains cord (/69)
17	3104 304 23041	0034	Bracket for DAF panel		4622 006 06061	8190	Mains cord (/93)
18	3104 307 97501	0010	Rear cover assy 29"		4822 402 11183	1406	Mains cord holder
18	3104 307 97491	0010	Rear cover assy 34"		3104 300 12311	0051	Matchline emblem
19	3104 304 23001	0030	Bracket for LSP		3104 300 12231	0050	Word mark 29" PHILIPS
20	3104 328 30063	1126	Jack panel		3104 300 12241	0050	Word mark 34" PHILIPS
21	3104 304 24141	0075	Bracket for SSB bottom support				29PT9421/xx
22	3104 304 24151	0038	Bracket for SSB top support				34PT9421/xx
23	3104 301 24191	0072	Shielding frame SSB (A-side)				29PT9221/xx
23	3104 301 24201	0075	Shielding frame SSB (Z-side)				
23	3104 301 24211	0073	Shielding cover SSB (A-side)				
23	3104 301 24221	0074	Shielding cover SSB (Z-side)				
24	3104 304 24131	0072	LOT support bracket				

STYLING 535



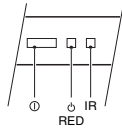
STYLING 535.eps
020305

1	3119 107 05142	Cabinet 28"
2a*	3111 254 25081	Rear cover
2b*	3111 254 25091	Rear cover
3	3111 250 00201	Word mark
4	3139 124 38211	Mains harmonic bracket
5	3119 107 17651	EPS bracket
6	4822 505 11195	CRT fixing screw
7	4822 403 70906	Corner coil bracket
8	3139 137 90651	Mains knob
9	4822 157 11762	Degaussing coil 28"
10	3139 124 37111	Light guide
11	3139 137 90661	Control knob
12	3139 124 30571	No system card cap
13	4822 404 31291	Mains cord relief
14a*	2422 264 00398	Loudspeaker 16Ω 5W
14b*	2422 264 00414	Loudspeaker 8Ω 5W
15	3139 124 30881	Chassis guide
16	4822 401 11765	Coil & EHT clamp
	4822 131 11045	Picture tube A66EAK071X11
	4822 321 11499	Mains cord EU
	4822 321 11493	Mains cord UK

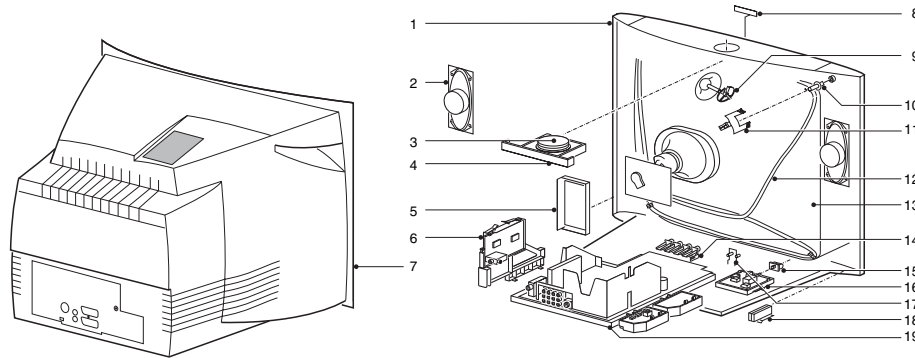
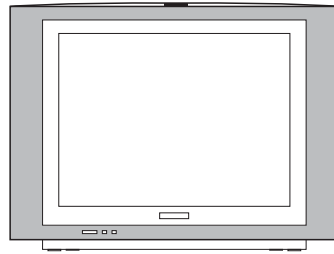
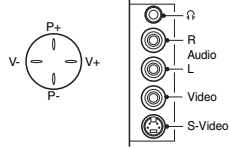
*a 28HT5404
*b 28HT5304

STYLING 536

FRONT + TOP CONTROL



SIDE I/O

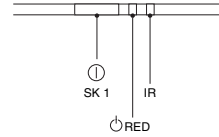


Styling 536.eps
100205

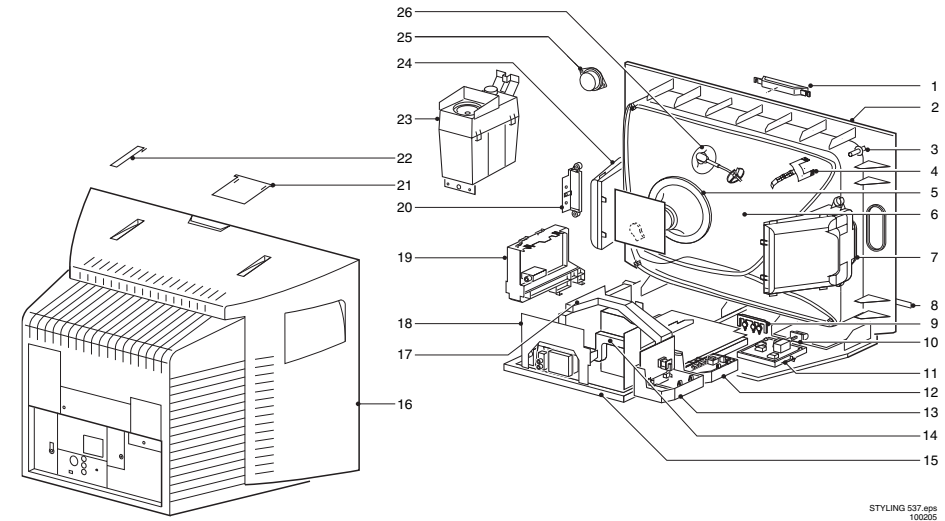
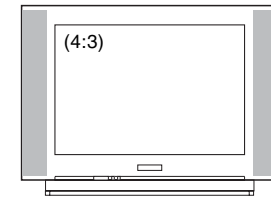
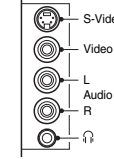
1acde*	3141 047 66001	Cabinet 29"	15fgh*	3139 124 30401	Mains knob
1bi*	3141 057 65231	Cabinet 29"	16	3139 124 30431	Front interface bracket
1fgh*	3141 047 66361	Cabinet 34"	17abcde*	3139 124 30411	Light guide
2abcdei*	2422 264 00379	Loudspeaker 8Ω 10W	17fgh*	Not applicable	
2fgh*	2422 264 00444	Loudspeaker 8Ω 10W	18	4822 404 31363	Mains cord relief
3	3139 137 66921	Top control button	19	3139 124 33531	Chassis tray
4	3139 124 30381	Top control bracket	abc*	3139 128 75211	Mains cord
5	3139 124 39541	Side AV bracket	dh*	3139 128 75291	Mains cord
6	Not applicable		e*	3139 128 75230	Mains cord
7abcde*	3139 124 37231	Rear cover 29"	fg*	2422 070 98199	Mains cord
7fgh*	3139 124 44831	Rear cover 34"	*a	29PT4323/69S/56R	
7i*	3141 057 65241	Rear cover 29"	*b	29PT5307/60	
8acde*	3141 050 00361	Word mark	*c	29PT4323/69R	
8bi*	3141 050 00291	Word mark	*d	29PT4323/71R	
8fgh*	Not applicable		*e	29PT4323/79R	
9abcde*	3141 054 22011	EHT spacer	*f	34PT4323/56R	
9fghi*	4822 532 61201	EHT spacer	*g	34PT4323/69R	
10	4822 502 14602	CRT fixing screw	*h	34PT4323/71R	
11fgh*	3141 054 22351	Corner coil bracket	*i	29PT5307/60S	
11abcdei*	Not applicable				
12abcdi*	3139 128 23781	Degaussing coil 29"			
12e*	4822 157 11551	Degaussing coil 29"			
12fgh*	3139 128 23821	Degaussing coil 34"			
13abei*	9322 173 75682	Picture tube A68QCP893X001			
13cd*	9322 196 06682	Picture tube A68QDL281X062			
13f*	9301 927 10542	Picture tube A80ERF042X14			
13gh*	9301 927 30542	Picture tube A80ERF042X15			
14	Not applicable				
15abcdei*	3139 138 14831	Mains knob			

STYLING 537

FRONT + TOP CONTROL



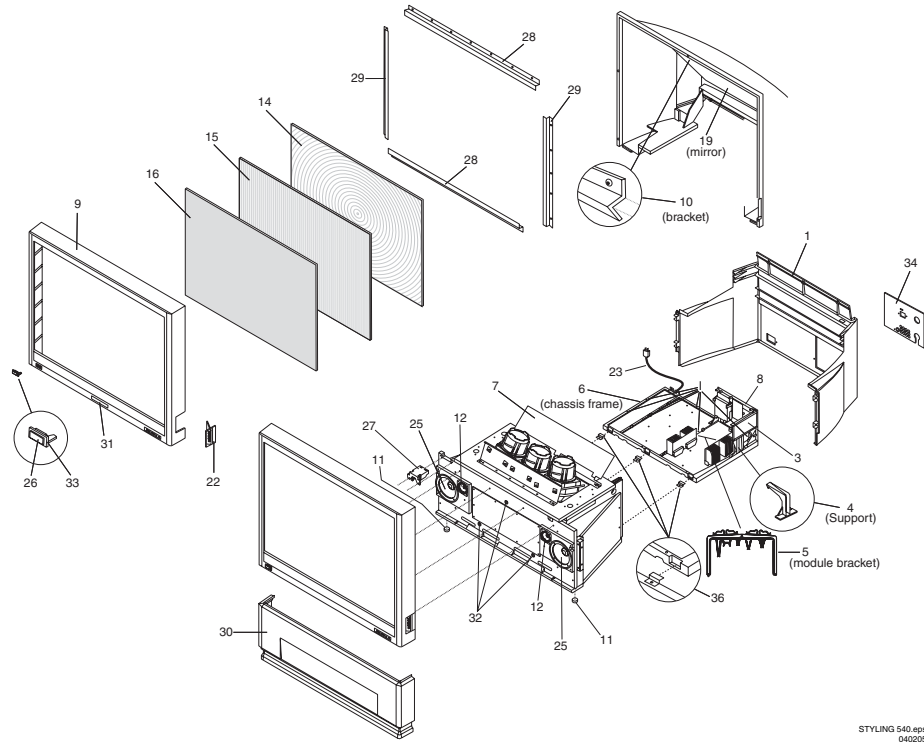
SIDE I/O



STYLING 537.eps
100205

1abc*	3139 138 12751	Top control assy 29"/34"	17d*	3139 124 46811	LOT bracket L04
1de*	3139 126 40591	Top control	18b*	3139 124 42411	Cinch cover plate (/61, /71)
2ab*	3139 138 19011	Cabinet assy 29" (/57, /69, /79)	19bc*	3104 304 23801	Bracket for DW/PIP panel
2ab*	3139 138 19411	Cabinet assy 29" (/61, /71)	20	3139 124 40131	Bracket for Side I/O panel
2c*	3139 138 19101	Cabinet assy 34" (/56, /57, /69, /79)	21	3139 124 39161	V0 plate for rear cover
2c*	3139 138 19401	Cabinet assy 34" (/61, /71)	22ab*	3139 124 39301	Screw cap for rear cover 29"
3	3111 250 40031	CRT screw	22cd*	3139 124 39241	Screw cap for rear cover 34"
4ab*	3139 124 31122	Bracket for Degaussing coil 29"	23	3139 128 76491	Subwoofer box
4c*	3139 124 32811	Bracket for Degaussing coil 34"	24ab*	3139 128 76601	Speaker & box assy (left)
5ab*	3128 138 60652	Rotation coil 29"	24c*	2422 264 00379	Speaker (full range)
5c*	3128 138 60642	Rotation coil 34"	25ab*	2422 264 00388	Tweeter 8Ω 8W
5ab*	3139 124 39581	Bracket for rotation coil 29"	26	3114 311 03722	EHT cable
6ab*	9322 160 14682	CRT 29" (/56, /57, /61)	ab*	3139 128 23451	Degaussing coil 29" (/57, /69, /79)
6b*	9322 160 15682	CRT 29" (/69, /71)	ab*	3139 128 23781	Degaussing coil 29" (/61, /71)
6b*	9322 160 16682	CRT 29" (/79)	c*	3139 128 23821	Degaussing coil 34"
6c*	9322 185 70682	CRT 34" (/56, /57, /)	de*	3104 308 20581	Degaussing coil 34"
6c*	9322 185 75682	CRT 34" (/61, /69, /71, /79)		3104 308 73703	Wire focus cable (black)
7ab*	3139 128 76611	Speaker & box assy (right)		3104 308 73692	Wire focus cable (red)
7c*	2422 264 00379	Speaker (full range)		3104 308 73224	Antenna IEC cable
7de*	2422 264 00484	Loudspeaker		3139 124 26301	Mains cord relief
8ab*	3141 050 00161	Word mark PHILIPS 29"		4822 404 31363	Mains cord relief
8c*	3141 050 00141	Word mark PHILIPS 34"		3139 128 75223	Mains cord (/57)
8de*	3141 050 00281	Word mark PHILIPS 34"		3139 128 75251	Mains cord (/61)
9	3139 124 39211	Light guide		3139 128 75201	Mains cord (/56, /69)
10	3139 138 10681	Mains knob assy		3139 128 75291	Mains cord (/71)
10d*	3139 177 69561	Push button		3139 128 75232	Mains cord (/79)
11	3139 124 32522	Bracket for Mains Switch panel		3139 124 23051	Mains cord (/93R)
12	3139 124 33211	Bracket for Mains Harmonic panel		3104 327 00021	Remote control (/56, /57, /69, /79)
13	3104 304 21653	Bracket for DAF/DC-shift panel		3104 327 00031	Remote control (/61, /71)
14	3104 304 21603	Connector support bracket		3139 228 86452	Remote control (/93R)
15	3104 304 22832	Bracket for Large Signal panel		3104 304 24111	SSB snap
16a*	3139 124 39741	Rear cover 29" (/57)		1322 504 97401	Grease for EHT cap
16b*	3139 124 39331	Rear cover 29" (/57, /69, /79)			
16b*	3139 124 40661	Rear cover 29" (/61, /71)	*a	29PT8320/xxR	
16c*	3139 124 40001	Rear cover 34" (/56, /57, /69, /79)	*b	29PT8420/xxR	
16c*	3139 124 39991	Rear cover 34" (/61, /71)	*c	34PT8420/xxR	
16d*	3138 124 49811	Rear cover 34" (/93R)	*d	34PT4524/93R	
17	3104 304 21114	LOT & SSB support bracket	*e	34HT3312/93R	
17c*	3104 304 22073	Bracket for Multi Voltage panel			

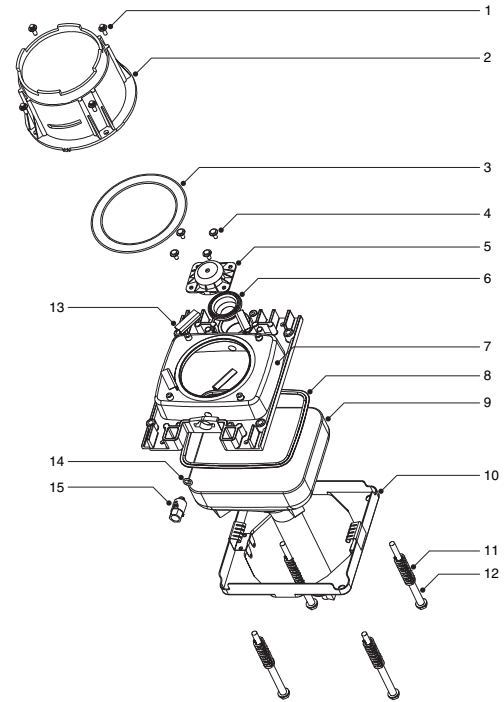
STYLING 540a



STYLING 540a.eps
040205

1	3135 034 04202	Rear cover	9322 202 92682	CRT P16LXL00HHA(C)
2	3135 037 51751	Rear upper assembly	9322 202 93682	CRT P16LXL00BMB(C)
3	Not applicable		9965 000 23140	Convergence template 43" 4/3
4	Not applicable			
5	3135 034 05131	Bracket Module		
6	3135 034 01991	Frame Chassis	*a 43PP8445/93	
7	3135 033 01361	Barrier Rear 43V	*b 43PP8446/93	
8	3135 034 02533	Frame Rear Jack	*c 43PP8447/93	
9	3135 037 54502	Cab Front ASSY 2k4		
10	3135 011 04611	Bracket Mirror MTG 43A10PTV		
10	3141 051 20471	Mirror Bracket side 43 left		
10	3141 051 20481	Mirror Bracket side 43 right		
11	3135 010 09741	Foot		
12	Not applicable			
14	3141 083 20021	Fresnel lens		
15	Not applicable			
16	3141 083 20011	Lenticular lens		
19	3135 034 90101	Mirror		
22	3135 037 54861	ASSY Side Jack AP		
23	2422 070 98154	Mains cord CHN		
25	2422 264 00497	Loudspeaker		
26	3135 014 10421	Button		
27	3135 037 50981	Button Vacation		
28	3135 034 01452	Retainer screen H no filt 43V		
29	3135 034 01461	Retainer screen V no filt 43V		
30a	3135 037 54521	Grille, Plastic		
30b	3135 037 54801	Grille, Plastic		
30c	3135 037 55431	Grille, Plastic		
31	3135 030 00471	Word mark PHILIPS 62MM 11007		
32	3135 013 02761	Baffle mounting cup		
33	3135 034 04531	Bracket vacation switch		
34	3135 030 00451	Label JP NPIP AP		
	3135 038 70081	Solar Cell Assembly		
	9322 202 91682	CRT P16LXL00RFA(C)		

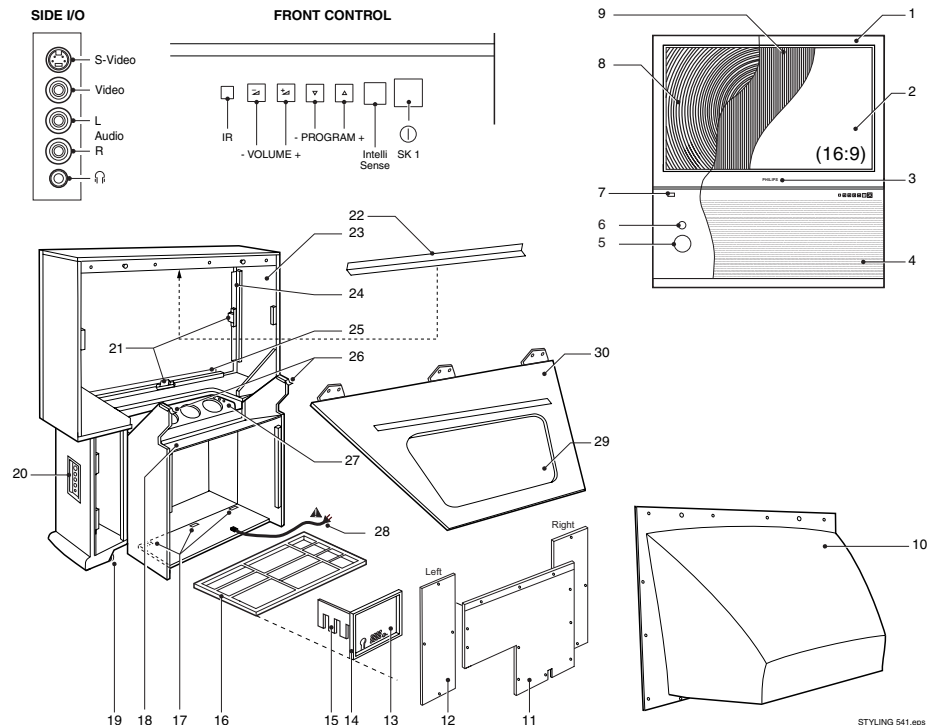
STYLING 540b



STYLING 540b.eps
040205

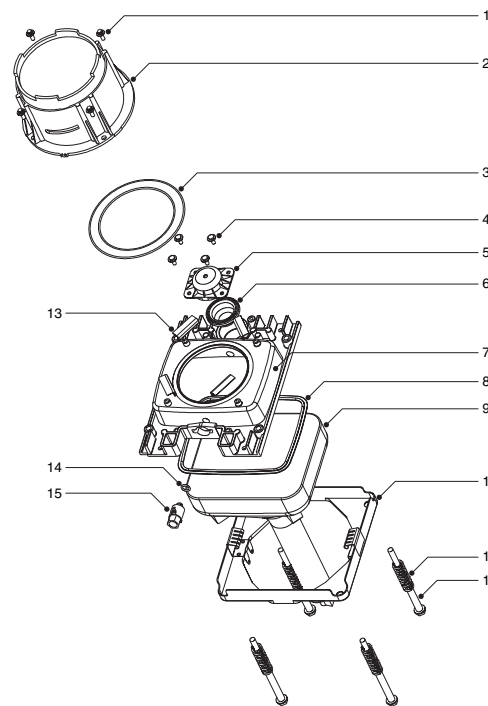
1	3135 010 02971	Screw (lens to coupler)
2	3135 034 00731	Lens C-element green
2	3135 034 00721	Lens C-element red-blue
3ab*	3135 013 02632	Seal lens
3c*	3135 013 02632	Seal lens
4	3135 010 02981	Screw
5	3135 014 02681	Cap coupler
6	4822 418 10413	Expansion diaphragm
7	3135 031 60011	Coupler CRT-LENS 43V
7	3135 031 60021	Coupler green
8	4822 532 13123	Seal CRT
9	9322 202 91682	Projection tube P16LXL00RFA(C)
9	9322 202 92682	Projection tube P16LXL00HHA(C)
9	9322 202 93682	Projection tube P16LXL00BMB(C)
10	3135 031 20651	CRT BKT-APRG ASSY AP
11	4822 492 11733	Compression spring
12	3135 010 08101	Screw
13	3135 014 02811	CRT pad
14	4822 530 10519	O-ring
15	4835 432 17791	Plug vent
*a	43PP8445/93	
*b	43PP8446/93	
*c	43PP8447/93	

STYLING 541a



1a*	3135 037 53931	Screen Frame 46w	19	3135 030 40031	Caster
1b*	3135 037 55091	Frame Screen 46W	20	3135 037 50731	Panel Side Jack
1c*	3135 037 53951	Screen Frame ASSY 50V	21	3135 038 70081	Solar Cell Assembly
1d*	3135 037 72631	Screen Frame 55W	22	3135 011 03641	Rail 50" to 55"
1e*	3135 037 55081	Screen Frame 55W	22	3135 011 01623	Rail 60"-64"
2d*	3135 034 00922	Protective Screen HDR 50W-AP	23	3135 037 55481	ASSY Cabinet 46"
3	3135 030 00471	Word mark PHILIPS 62MM 11007	23	3135 037 72573	ASSY Cabinet 55"
4	3135 037 54581	Shield, Protective, Plastic	24ab*	3135 034 04111	scrn rtnr vert no filt 578
4bde*	3135 011 04141	Shield, cover	24c*	3135 034 04101	Scrtn rtnr vert no filt 770
5	2422 264 00452	LSP 25w tweeter	24d*	3135 034 03311	Scrtn rtnr vert side 690
5ac*	2422 264 00497	Speaker	24e*	3135 034 04091	Scrtn rtnr vert no filt 690
6	2422 164 00453	LSP 8Ω 25W woofer	25ab*	3135 034 04121	Scrtn rtnr horiz no filt 1056
6	3135 034 13691	Button vacation	25c*	3135 034 01121	Scrtn rtnr horiz no filt 1056
7ac*	3135 037 50981	Button vacation	25d*	3135 034 03291	Scrtn rtnr horiz top 1260
7d†	3135 034 00691	Button	25	3135 034 03301	Scrtn rtnr horiz bottom 1260
8	3135 033 20181	Fresnel lens 46"	25e*	3135 034 04081	Scrtn rtnr horiz no filt 1260
8	3135 033 20191	Fresnel lens 50"	26	3135 011 03003	Bracket mirror support
8	3135 033 20201	Fresnel lens 55"	27	3135 034 00891	Barrier Light
9	3135 033 20061	Lenticular 46"	28	2422 070 98154	Mains cord CHN
9	3135 033 20071	Lenticular 50"	29	3135 034 90051	Mirror 46"
9	3135 033 20081	Lenticular 55"	29	3135 034 90021	Mirror 50"
10	3135 034 02061	Rear cover 46"	29	3135 034 90061	Mirror 55"
10	3135 034 02211	rear cover, upper back 50"	30	3135 033 00461	Mirror BD 46"
10	3135 034 00791	Back cover-AP 55"	30	3135 033 00651	Mirror board
11	3135 033 00321	Rear cover 46"		3104 327 00021	RCS82D SBHV00030A
11	3135 033 00801	rear cover, back lower		3128 147 13991	RC2049/01B
11	3135 033 00321	lower back 55"		9322 202 91682	CRT P16LXL00RFA(C)
12	3135 033 00961	Cover speaker 46"AP		9322 202 92682	CRT P16LXL00HHA(C)
12	3135 033 00811	Cover speaker 50"		9322 202 93682	CRT P16LXL00BMB(C)
12	3135 033 00951	Cover speaker EMG STAR 55" AP		9322 173 22682	Pict.pube P16LTG00RFA
13ac*	3135 030 00321	Label JP NPIP AP		9322 173 21682	Pict.pube P16LTG00HHA
14	3135 034 02532	Frame rear jack		9322 173 23682	Pict.pube P16LTG00BMB
14be*	3135 034 01033	Frame rear jack	*a	46PP8745/93	
14bd	3135 034 02542	Frame rear jack	*b	46PP9545/93	
15bde	3135 014 10062	PIP A10 frame	*c	50PP8545/93	
16	3135 034 01991	Frame Chassis	*d	55PP9527/93	
17	3135 011 02011	Holdwn bracket chassis	*e	55PP9545/93	
18	3135 033 01031	Barrier Rear 46" AP			
18	3135 033 00671	Barrier Rear 50"			
18	3135 033 01041	Barrier rear 55"			

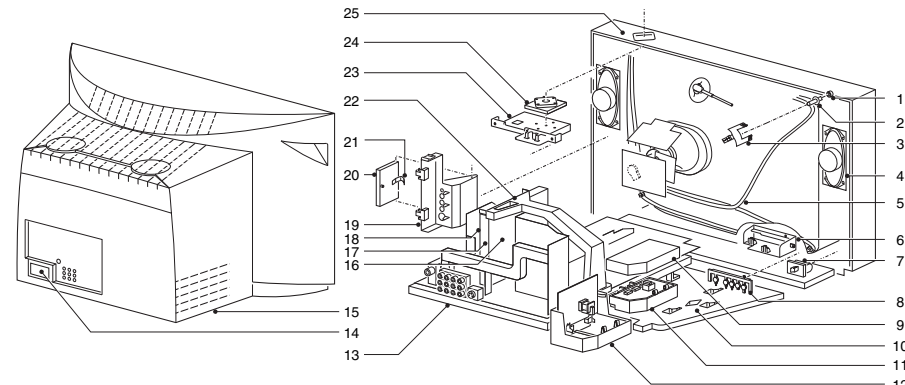
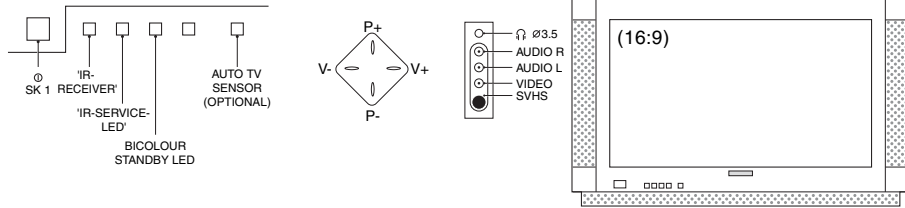
STYLING 541b



1	3135 010 02971	Screw (lens to coupler)
2	3135 034 00731	Lens C-element green
2	3135 034 00721	Lens C-element red-blue
3	3135 013 02632	Seal lens
4	3135 010 02981	Screw
5	3135 014 02681	Cap coupler
6	4822 418 10413	Expansion diaphragm
7	3135 011 03633	Coupler, RED&BLUE
7de*	3135 031 60021	Coupler green
8	4822 532 13123	Seal CRT
9	9322 202 91682	CRT P16LXL00RFA(C)
9	9322 202 92682	CRT P16LXL00HHA(C)
9	9322 202 93682	CRT P16LXL00BMB(C)
9d*	9322 173 22682	Pict.pube P16LTG00RFA
9d*	9322 173 21682	Pict.pube P16LTG00HHA
9d*	9322 173 23682	Pict.pube P16LTG00BMB
10	3135 031 20651	CRT BKT-APRG ASSY AP
11	4822 492 11733	Compression spring
12	3135 010 08101	Screw
13	3135 014 02811	CRT pad
14	4822 530 10519	O-ring
15	4835 432 17791	Plug vent
*a	46PP8745/93	
*b	46PP9545/93	
*c	50PP8545/93	
*d	55PP9527/93	
*e	55PP9545/93	

STYLING 541b.eps
040205

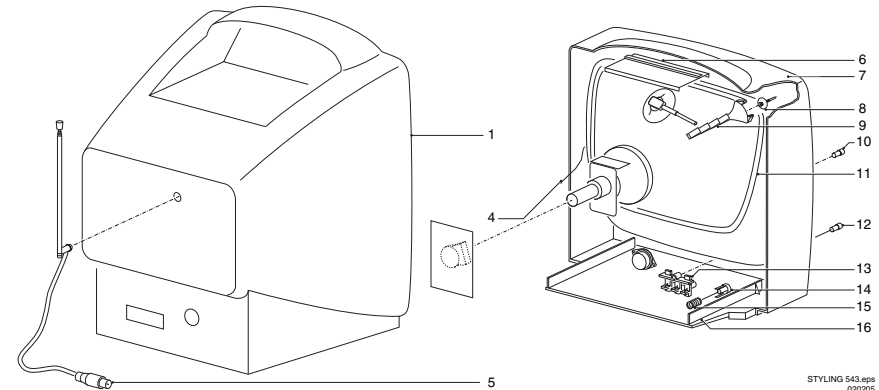
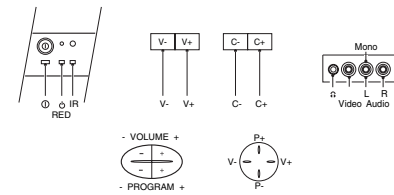
STYLING 542



STYLING 542.eps
100205

1a*	3104 308 77012	CRT screw 28"	3141 050 00291	Word mark
2	Not applicable		3104 050 00281	Word mark
3	4822 403 70906	Bracket fix deg. coil	9301 967 10307	Picture tube W66ERF172X044
4	2422 264 00491	Loudspeaker	9301 982 90314	Picture tube W76ERF182X044
5	2422 549 00129	Degaussing coil 28"	4822 321 11499	Mains cord
			4822 402 11183	Mains cord holder
			3139 238 09891	Remote RC19335023/01
5b*	2422 549 00128	Degaussing coil 32"		
6	3104 304 21853	Bracket mains unit	28PW8620/12	
7	3139 177 57661	Mains knob	32PW8620/12	
8	3104 304 21871	Light guide		
9	3104 304 22312	Cover		
10	3104 304 22012	Bottom plate		
11	Not applicable			
12	Not applicable			
13	3104 124 61231	Chassis tray		
14	3104 304 22312	Service connector cover		
15	3104 308 10221	Rear cover		
15b*	3104 307 96252	Rear cover		
16	Not applicable			
17	Not applicable			
18	Not applicable			
19	3104 304 21932	Bracket for Side I/O panel		
20	3104 304 21912	Door Side I/O		
21	3104 301 23972	Metal spring for door		
21	3104 308 70381	Locking unit for door		
22	3104 304 23011	Bracket for LOT/SSB		
23	Not applicable			
24	3104 304 22561	Top Control keypad		
25	3143 027 61891	Cabinet assy		
25*b	3104 027 61871			

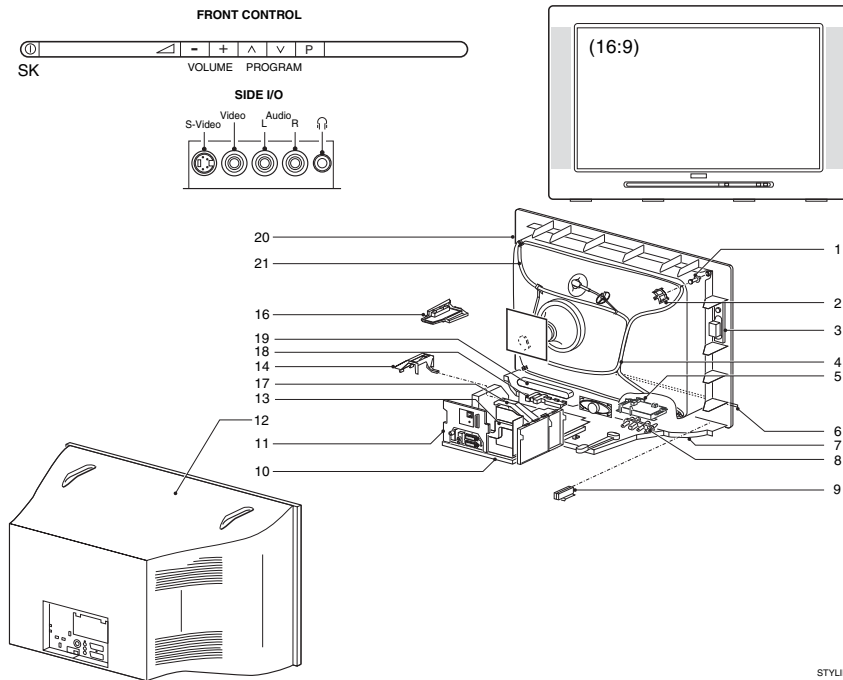
STYLING 543



STYLING 543.eps
020205

1	3141 057 69631	Mains knob
2	3141 057 69641	Control knobs
3	3141 054 23081	Light guide
4	3139 124 40331	Chassis guide (HB)
5	3139 124 30881	Chassis guide (VO)
6	3139 120 01611	Word mark
7	3111 254 23481	Coil & THT clamp
8	4822 404 31291	Mains cord bracket
9a*	2422 070 98231	Mains cord
10b*	2422 070 89236	Mains cord
11	3141 057 69621	Cabinet
12	4822 404 30839	Degaussing coil bracket
13	3141 054 23051	Rear cover
14	3139 120 41391	CRT fixing screw
15	9322 191 16682	Picture tube 14" A36AKJ15X07
16	2422 549 45304	Degaussing coil 14"
17	2422 264 00505	Loudspeaker 8Ω 5W
18	3139 123 21491	Insulating plate
19	3141 054 23411	Side AV bracket
a*	3111 257 56161	Single rod antenna
b*	4822 303 91238	Aerial
	6310 200 92021	Remote control RC19335012/01
*a	15PT1767/01	
*b	15PT1767/58	

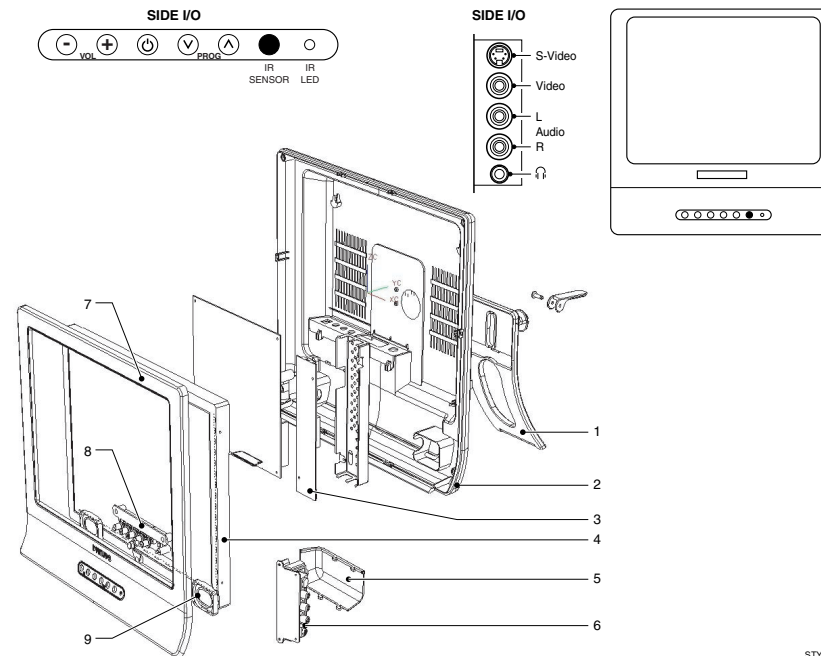
STYLING 544



STYLING 544.eps
040205

1	4822 505 11195	CRT Fixing screw	3139 147 20911	Tuner UV1316E/A I-4
2	4822 403 70906	Degaussing coil bracket	3139 238 07441	Remote control RC4330/01H
3	2422 264 00491	Loudspeaker 8Ω 10W		
4a*	2422 549 00129	Degaussing coil 28"	*a	28PW8720/12
5	3139 177 87791	Mains knob	*b	32PW8720/12
6a*	3141 050 00291	Word mark 28"		
6b*	3141 050 00281	Word mark 32"		
7	4822 404 31291	Mains cord bracket		
8	3139 124 62311	Light guide		
9	4822 404 31363	Mains cord relief		
15	3139 124 46742	SSB bracket		
17	3104 304 23011	LOT bracket		
18	3139 177 87811	Front control		
19	3139 177 87801	Control strip		
20a*	3143 027 62211	Cabinet 28"		
20b*	3143 027 61901	Cabinet 32"		
21	3111 254 23481	Coil & THT clamp		
a*	9301 967 10307	Picture tube 28"		
		W66ERF172X044		
b*	9301 982 90314	Picture tube 32"		
		W76ERF182X044		
	4822 466 11453	Mains cord relief		
	4822 321 11499	Mains cord EU		
	4822 321 11139	Mains cord		
	4822 321 11425	Mains cord		
	3104 304 90361	Insulating plate		

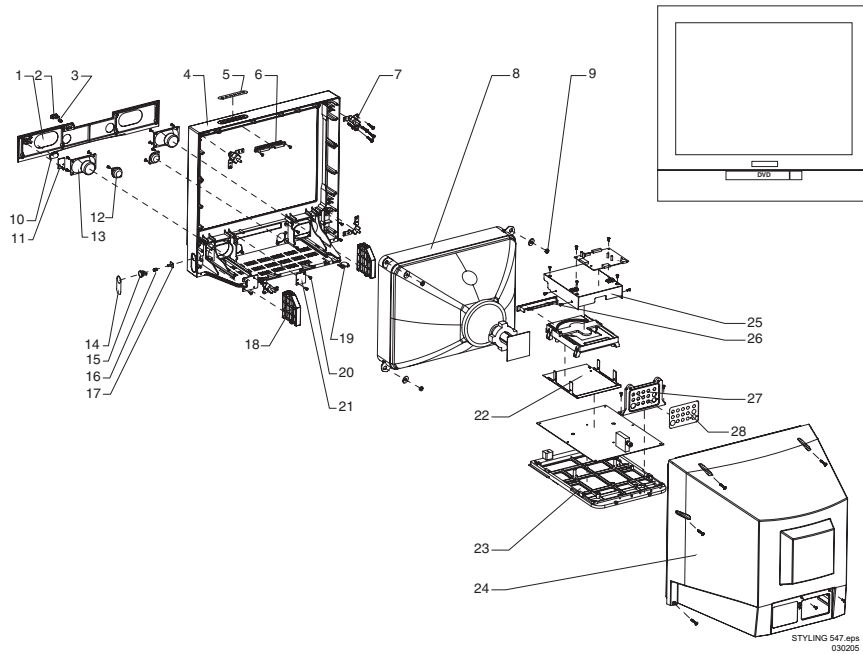
STYLING 546



STYLING 546.eps
020205

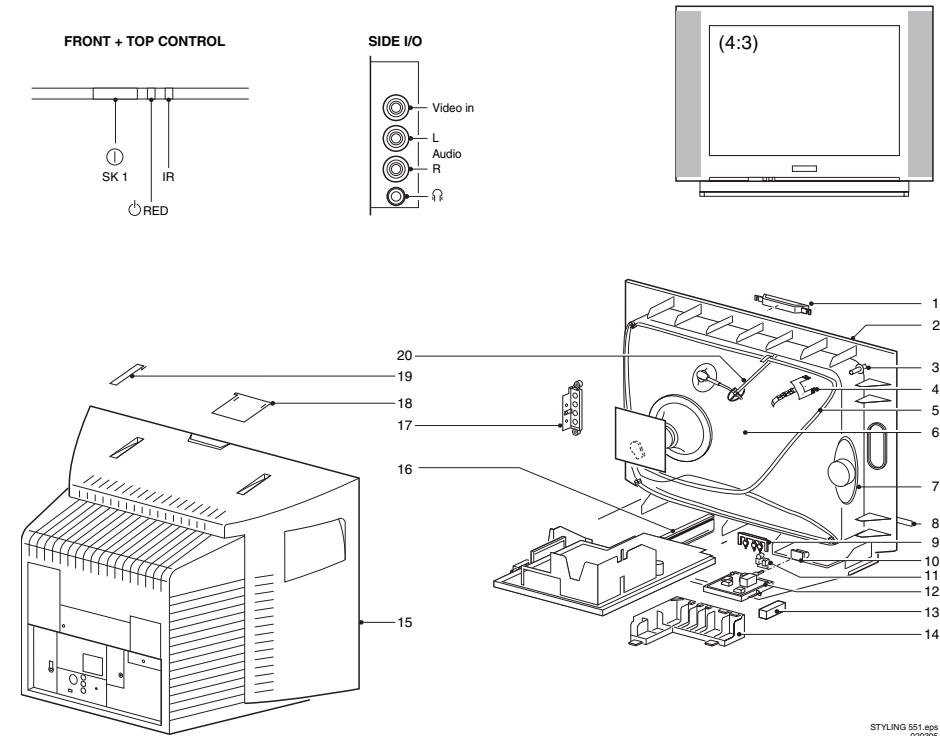
1	0139 060 20770	Stand
2	9051 101 41960	Rear cover
3	3990 000 10471	Inverter
4	0703 621 12331	LCD screen QD14VL03REV01
5	Not applicable	
6	8411 200 11999	Side AV board
7	9051 001 43110	Cabinet
8	9051 081 42760	Control knobs
9	6102 066 10151	Loudspeaker 8Ω 2W/3W
	3999 170 00181	EURO adapter
	3999 170 00181	UK adapter
	6310 200 01611	Remote control
	8411 800 11999	Front control board

STYLING 547



1	996500024320	DVD front panel	996500024266	Remote control
2	996500024311	DVD switch knob	996500024408	Battery door silver
3	996500023502	Power knob spring	313912823841	Degaussing coil 21"
4	996500024319	Cabinet	996500024318	Word mark
5	996500024316	Function inlay		
6	996500024313	Button		
10	996500024314	Lens		
13	996500024308	Loudspeaker 8Ω 5W		
14	996500024317	Power inlay		
15	996500024315	Power knob		
16	996500023468	Power knob spring		
17	996500024309	Power knob adapter		
18	996500024310	CRT bracket		
19	996500023469	Power cord holder		
22	996500024326	DVD bottom cover		
23	996500024372	Scart bracket		
24	996500024260	Rear cabinet		
25	996500024325	DVD upper cover		
26	996500024312	DVD front door		
27	996500024363	Terminal board bracket		
28	996500024330	Rear AV inlay		
	996500024292	Cord pad spacer		
	996500014933	CRT spacer		
	996500015608	CRT spacer		
	996500014935	Rubber pad		
	996500015148	Cable holder		
	996500024329	Side AV inlay		
	996500026496	CRT bracket		
	996500024347	Tuner UV1336I/APGS-3		

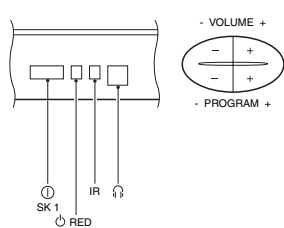
STYLING 551



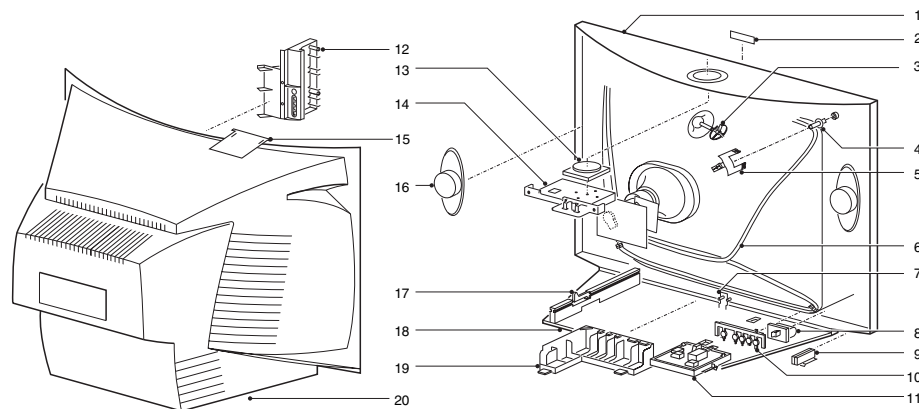
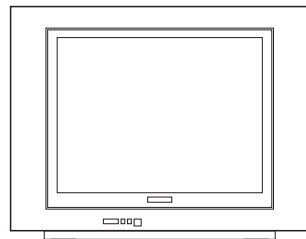
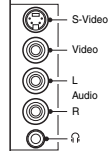
1	3141 057 65961	Top control
2	3115 109 43071	Cabinet assy
2	3115 108 19801	Cabinet
3	3104 308 77012	CRT fixing screw
4	3141 054 22351	Cable tie
5	3139 128 23201	Degaussing coil 21" Multi volt- age
6	9322 196 08682	Picture tube A51LYZ095X01
7	2422 264 00379	Loudspeaker 8R 10W
8	3141 050 00301	Wordmark
10	3139 124 39211	Mains knob
11	3141 057 65651	Light guide
12	3139 124 30434	Front interface bracket
13	3122 224 04623	Mains cord relief
14	3139 124 40321	Front main bracket
15	3115 109 43081	Rear cover
16	3139 124 40331	Chassis guide HB
16	3139 124 25893	Chassis guide V0
17	3139 124 46331	Side AV bracket (3AV+HP)
18	3139 124 39161	V0 plate
20	3139 124 17541	EHT spacer
	3139 128 76091	Mains cord
	3139 228 86482	Remote control RC19042001/ 01

STYLING 552

FRONT + TOP CONTROL



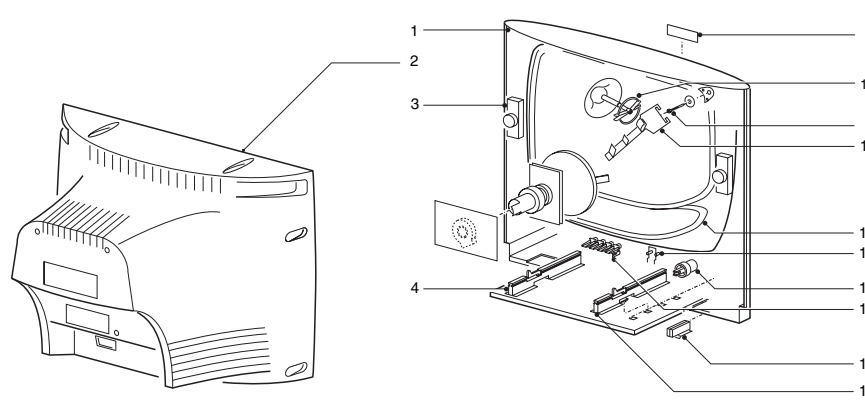
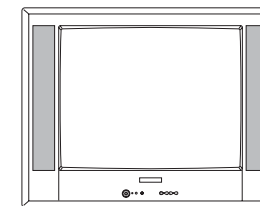
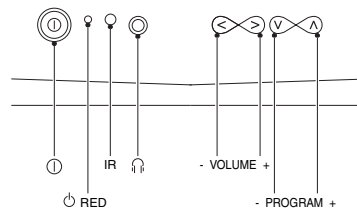
SIDE I/O



STYLING 552.eps
020305

- | | | |
|----|----------------|-------------------------------------|
| 1 | 3115 109 42881 | Cabinet |
| 2 | 3141 050 00301 | Wordmark |
| 3 | 3139 124 17541 | EHT spacer |
| 4 | 3104 308 77012 | CRT screw |
| 5 | 3139 124 23861 | Spacer |
| 6 | 3139 128 23201 | Degaussing coil 21" (multi voltage) |
| 7 | 3139 124 32221 | Light guide |
| 8 | 3141 057 81591 | Mains knob |
| 9 | 3122 224 04623 | Mains cord relief |
| 10 | 3141 057 81581 | Control knob |
| 12 | 3115 104 73171 | Side AV bracket |
| 15 | 3139 124 33341 | VO plate |
| 16 | 2422 264 00394 | Loudspeaker 8R 5W |
| 17 | 3139 124 30812 | Chassis guide (V0) |
| 20 | 3115 109 42891 | Rear cover |
| | 9322 196 08682 | Picture tube A51LYZ095X01 |
| | 3139 128 76091 | Mains cord |
| | 3139 228 86482 | Remote control RC19042001/01 |

STYLING 553

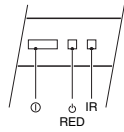


STYLING 553.eps
020305

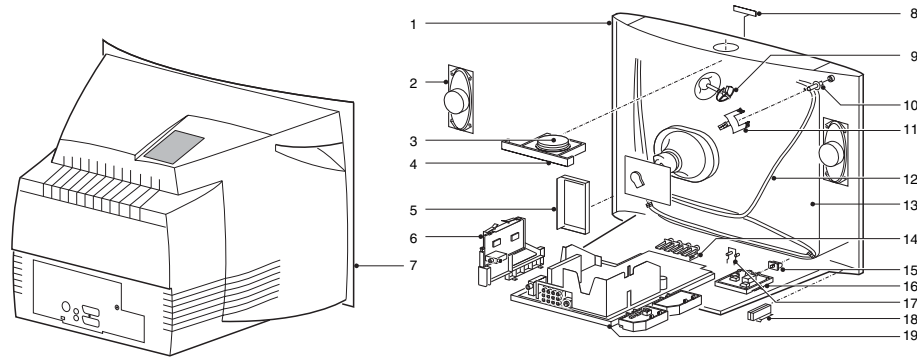
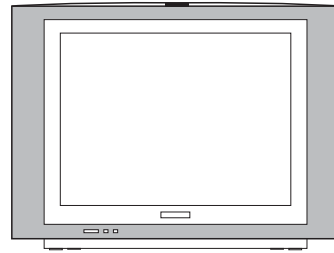
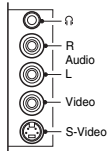
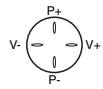
- | | | |
|----|----------------|------------------------------|
| 1 | 3115 109 42951 | Cabinet |
| 2 | 3115 109 42961 | Rear cover |
| 3 | 2422 264 00333 | Loudspeaker 16Ω 5W |
| 4 | 3139 124 23451 | Chassis guide (HB) |
| 8 | 3141 050 00301 | Wordmark |
| 9 | 3115 224 03451 | Tube spacer |
| 9 | 3139 120 41141 | CRT fixing screw |
| 10 | 3139 124 26261 | Spacer |
| 11 | 3139 128 23201 | Degaussing coil |
| 12 | 3139 124 26901 | Light guide |
| 13 | 3141 057 81631 | Mains knob |
| 14 | 3141 057 81621 | Control knob |
| 16 | 3122 224 04623 | Mains cord relief |
| 17 | 3139 124 23461 | Chassis guide VO |
| 18 | 3139 124 17541 | EHT spacer |
| | 3115 104 73781 | Side AV bracket |
| | 9322 207 01682 | Picture tube A51AEZ90X45 |
| | 3139 228 86482 | Remote control RC19042001/01 |
| | 2422 070 98231 | Mains cord |

STYLING 554

FRONT + TOP CONTROL



SIDE I/O



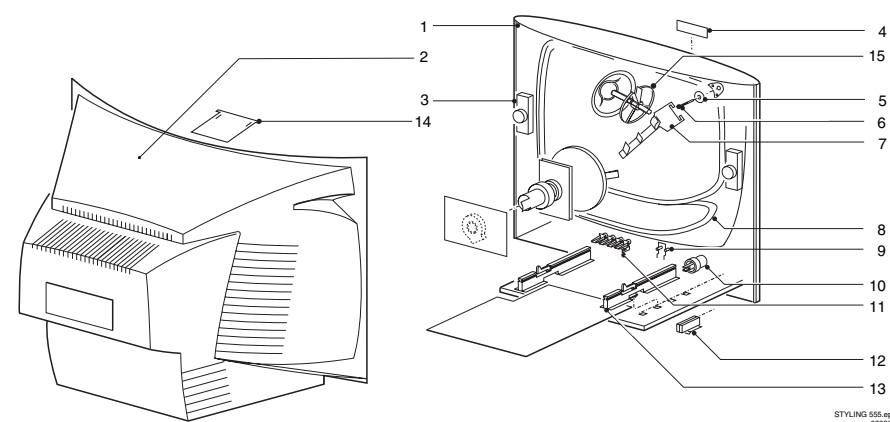
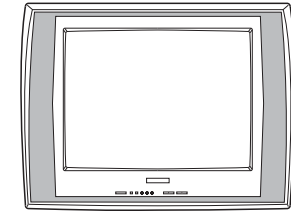
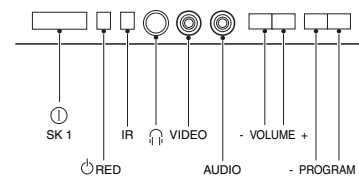
Styling 554.aps
020305

- | | | |
|-----|----------------|----------------------------------|
| 1 | 3141 047 83121 | Cabinet |
| 2 | 2422 264 00379 | Loudspeaker 8R 10W |
| 3 | 3139 124 30391 | Top control button |
| 3+4 | 3139 137 66921 | Top control button assy |
| 3 | 3139 124 31131 | Top control button cover |
| 4 | 3139 124 30381 | Top control bracket |
| 5 | 3139 124 39541 | Side AV bracket (HP+3AV) |
| 6 | not applicable | |
| 7 | 3141 047 65241 | Rear cover |
| 8 | 3141 050 00291 | Wordmark |
| 9 | 3139 124 17541 | EHT spacer |
| 10 | 3139 124 23861 | Tube spacer |
| 10 | 3141 054 22011 | Tube spacer |
| 11 | not applicable | |
| 12 | 3139 128 23781 | Degaussing coil 29" (full range) |
| 13 | 9322 215 00682 | Picture tube A68QCP693X1 |
| 14 | not applicable | |
| 15 | 3139 138 14831 | Mains knob |
| 16 | 3139 124 30434 | Front interface bracket |
| 17 | 3139 124 30411 | Light guide |
| 18 | 3122 224 04623 | Mains cord relief |
| 19 | 3139 124 33531 | Chassis tray |
| | 3139 228 86482 | Remote control RC190421/01 |

29PT5308

STYLING 555

FRONT CONTROL



STYLING 555.aps
020305

- | | | |
|----|----------------|--|
| 1 | 3115 109 43011 | Cabinet assy |
| 2 | 3115 109 43021 | Rear cover |
| 3 | 3115 109 43051 | Loudspeaker assy |
| 3 | 2422 264 00333 | Loudspeaker 16Ω 5W |
| 4 | 3141 050 00301 | Wordmark |
| 5 | 3115 104 66421 | Spacer |
| 5 | 3104 308 77012 | CRT fixing crew |
| 7 | 3141 054 22351 | Cable tie |
| 8 | 3139 128 23201 | Degaussing coil 21" (multi volt-
age) |
| 9 | 3139 124 30821 | Light guide |
| 10 | 3141 057 81881 | Mains knob |
| 11 | 3141 057 81891 | Control knob |
| 12 | 3122 224 04623 | Mainscord relief |
| 13 | 3139 124 30862 | Chassis guide (HB) |
| 13 | 3139 124 30812 | Chassis guide (VO) |
| 14 | 3139 124 30851 | VO plate397-13 |
| 15 | 3139 124 17541 | EHT spacer |
| | 9322 207 01682 | Picture tube A51AEZ90X45 |

