

Product Survey

REMARKS:

This year 3 Product Surveys are published. From Product Survey 1999-1 onwards the contents of the second and the third issue is an updating of the previous one; so e.g. Product Survey 1999-2 replaces 1999-1 and the yearbook Product Survey 1999-3 replaces the Product Survey's 1999-1 and 1999-2.

CONTENTS

PAGE

Publication survey	PCS 93289
Remote control survey	PCS 93291
Tuner survey	PCS 93291
CRT survey	PCS 93291
Panel survey	PCS 93292
Software survey	PCS 93296
Model number survey	PCS 93303
Stylings with parts list	PCS 92664

Copyright 1999 Philips Consumer Electronics Eindhoven, The Netherlands. All rights reserved. No part of this publication may be reproduced, stored in a retrieval system or transmitted, in any form or by any means, electronic, mechanical, photocopying, or otherwise without the prior permission of Philips.

Safety regulations require that the set be restored to its original condition and that parts which are identical with those specified be used.

Les normes de sécurité exigent que l'appareil soit remis à l'état d'origine et que soient utilisées les pièces de rechange identiques à celles spécifiées.



Publication survey

SERVICE MANUAL	LANGUAGE	CODE NUMBER
SM A8.0A AA	GB	4822 727 21612
SM A8.0A BA	GB	3122 785 10015
CM A8.0A BA	GB	3122 785 10048

SERVICE INFORMATION	LANGUAGE	CODE NUMBER
SI A8.0A BA	GB	3122 785 40021
SI A8.0E 99-01	GB	3122 785 40007

SERVICE MANUAL	LANGUAGE	CODE NUMBER
SM A8.0E AA	GB	4822 72721586
SM A8.0E AA	NL	4822 72721587
SM A8.0E AA	D	4822 72721588
SM A8.0E AA	F	4822 72721589
SM A8.0E AA	I	4822 72721591
SM A8.0E AA	E	4822 72721592

SERVICE MANUAL	LANGUAGE	CODE NUMBER
SM Receiver-box FTV1.9E AA	GB	3122 785 10160
SM Display-box FTV1.9E AA	GB	3122 785 10170
SM Receiver-box FTV1.9E AA	D	3122 785 10028
SM Display-box FTV1.9E AA	D	3122 785 10029
SM Receiver-box FTV1.9E AA	F	3122 785 10030
SM Display-box FTV1.9E AA	F	3122 785 10031

SERVICE MANUAL	LANGUAGE	CODE NUMBER
SM L6.1 AA	GB	4822 727 20901
SM L6.1 AA	NL	4822 727 20903
SM L6.1 AA	D	4822 727 20902
SM L6.1 AA	F	4822 727 20904
SM L6.1 AA	I	4822 727 20905
SM L6.1 AA	E	4822 727 20906

SERVICE INFORMATION	LANGUAGE	CODE NUMBER
SI L6.1 AA 97.02 (3W mono audio ampl.)	GB/NL/D/F/I/E	4822 727 21536

SERVICE MANUAL	LANGUAGE	CODE NUMBER
SM L6.2 AA	GB	4822 727 21529
SM L6.2 AA	NL	4822 727 21534
SM L6.2 AA	F	4822 727 21531
SM L6.2 AA	D	4822 727 21532
SM L6.2 AA	E	4822 727 21533
SM L6.2 AA	I	4822 727 21535

SERVICE INFORMATION	LANGUAGE	CODE NUMBER
SI L6.2 AA 97.01 (90 deflection modul)	GB/NL/D/F/I/E	4822 727 21553

SERVICE MANUAL	LANGUAGE	CODE NUMBER
SM L6.3 AA	GB	4822 727 21643
SM L6.3 AA	NL	4822 727 216 72
SM L6.3 AA	F	4822 727 216 73
SM L6.3 AA	D	4822 727 216 74
SM L6.3 AA	E	4822 727 216 75
SM L6.3 AA	I	4822 727 216 76
SM L6.3 COMET	GB	4822 727 21617

SERVICE MANUAL	LANGUAGE	CODE NUMBER
SM L7.1A AA	GB	4822 727 21497
SM L7.2A AA	GB	4822 727 21527
SM L7.3A AA	GB	4822 727 21566

SERVICE INFORMATION	LANGUAGE	CODE NUMBER
SI L7.2A AA 98.01	GB	4822 727 21614

SERVICE MANUAL	LANGUAGE	CODE NUMBER
SM L9.1A AA	GB	4822 727 21704

SERVICE MANUAL	LANGUAGE	CODE NUMBER
SM L9.1E AA	GB	4822 727 21677
SM L9.1E AA	NL	4822 727 21678
SM L9.1E AA	D	4822 727 21679
SM L9.1E AA	F	4822 727 21681
SM L9.1E AA	I	4822 727 21682
SM L9.1E AA	E	4822 727 21683

SERVICE MANUAL	LANGUAGE	CODE NUMBER
SM L9.2A AA	GB	4822 727 21705

SERVICE MANUAL	LANGUAGE	CODE NUMBER
SM L9.2E AA	GB	4822 727 21684
SM L9.2E AA	NL	4822 727 21685
SM L9.2E AA	D	4822 727 21686
SM L9.2E AA	F	4822 727 21687
SM L9.2E AA	I	4822 727 21688
SM L9.2E AA	E	4822 727 21689

SERVICE MANUAL	LANGUAGE	CODE NUMBER
SM L9.3A AA	GB	3122 785 10061

SERVICE MANUAL	LANGUAGE	CODE NUMBER
SM L9H.1A AA	GB	3122 785 10062
SM L9H.2A AA	GB	3122 785 10063

SERVICE MANUAL	LANGUAGE	CODE NUMBER
SM L9H.1E AA	GB	3122 785 10064
SM L9H.1E AA	NL	3122 785 10180
SM L9H.1E AA	D	3122 785 10190
SM L9H.1E AA	F	3122 785 10200
SM L9H.1E AA	I	3122 785 10210
SM L9H.1E AA	E	3122 785 10220

SERVICE MANUAL	LANGUAGE	CODE NUMBER
SM L9H.2E AA	GB	3122 785 10065
SM L9H.2E AA	NL	3122 785 10230
SM L9H.2E AA	D	3122 785 10240
SM L9H.2E AA	F	3122 785 10250
SM L9H.2E AA	I	3122 785 10260
SM L9H.2E AA	E	3122 785 10270

SERVICE MANUAL	LANGUAGE	CODE NUMBER
SM MD1.1A AA	GB	4822 727 21523
SM MD1.1A BA	GB	4822 727 21663

SERVICE MANUAL	LANGUAGE	CODE NUMBER
SM MD1.2E AA Digital TV	GB	4822 727 21645
SM MD1.2E AA Supplement	GB	4822 727 21498
SM MD1.2E AA Supplement	NL	4822 727 21499
SM MD1.2E AA Supplement	D	4822 727 21501
SM MD1.2E AA Supplement	F	4822 727 21502
SM MD1.2E AA Supplement	I	4822 727 21503
SM MD1.2E AA Supplement	E	4822 727 21504

SERVICE INFORMATION	LANGUAGE	CODE NUMBER
SI MD2.1XE AA 98.01	GB	4822 727 21576
SI MD2.1XE AA 98.01	NL	4822 727 21577
SI MD2.1XE AA 98.01	D	4822 727 21578
SI MD2.1XE AA 98.01	F	4822 727 21579
SI MD2.1XE AA 98.01	I	4822 727 21581
SI MD2.1XE AA 98.01	E	4822 727 21582

SERVICE MANUAL	LANGUAGE	CODE NUMBER
SM MD2.2xE AA	GB	4822 727 21484
SM MD2.2xE AA	NL	4822 727 21485
SM MD2.2xE AA	D	4822 727 21486
SM MD2.2xE AA	F	4822 727 21487
SM MD2.2xE AA	I	4822 727 21488
SM MD2.2xE AA	E	4822 727 21489

SERVICE INFORMATION	LANGUAGE	CODE NUMBER
SI MD2.2xE AA 97.01	GB	4822 727 21537
SI MD2.2xE AA 97.01	NL	4822 727 21538
SI MD2.2xE AA 97.01	D	4822 727 21539
SI MD2.2xE AA 97.01	F	4822 727 21541
SI MD2.2xE AA 97.01	I	4822 727 21542
SI MD2.2xE AA 97.01	E	4822 727 21543
SI MD2.2XE AA 98.01	GB	4822 727 21583
SI MD2.2XE AA 98.01	NL	4822 727 21595
SI MD2.2XE AA 98.01	D	4822 727 21596
SI MD2.2XE AA 98.01	F	4822 727 21597
SI MD2.2XE AA 98.01	I	4822 727 21598
SI MD2.2XE AA 98.01	E	4822 727 21599

SERVICE MANUAL	LANGUAGE	CODE NUMBER
SM MD2.25E		4822 727 21611

SERVICE INFORMATION	LANGUAGE	CODE NUMBER
SI MD2.25 98.01		4822 727 21671

SERVICE MANUAL	LANGUAGE	CODE NUMBER
SM MG1.1E AA	GB	3122 785 1015

SERVICE MANUAL	LANGUAGE	CODE NUMBER
SM MG2.1E	GB	4822 727 21622
SM MG2.1E	NL	4822 727 21623
SM MG2.1E	D	4822 727 21624
SM MG2.1E	F	4822 727 21625
SM MG2.1E	I	4822 727 21626
SM MG2.1E	E	4822 727 21627

SERVICE INFORMATION	LANGUAGE	CODE NUMBER
SI MG2.1E 99-01	GB	4822 727 21668
SI MG2.1E 99-01	NL	4822 727 21698
SI MG2.1E 99-01	D	4822 727 21701
SI MG2.1E 99-01	F	4822 727 21699
SI MG2.1E 99-01	I	4822 727 21702
SI MG2.1E 99-01	E	4822 727 21703
SI MG2.1E 99-02	GB	3122 785 40001
SI MG2.1E 99-02	NL	3122 785 40002
SI MG2.1E 99-02	D	3122 785 40003
SI MG2.1E 99-02	F	3122 785 40004
SI MG2.1E 99-02	I	3122 785 40005
SI MG2.1E 99-02	E	3122 785 40006
SI MG2.1E 99-03	-	3122 785 40017

SERVICE MANUAL	LANGUAGE	CODE NUMBER
SM MG3.1A AA	GB	3122 785 10014

SERVICE MANUAL	LANGUAGE	CODE NUMBER
SM MG3.1E AA	GB	3122 785 10001
SM MG3.1E AA	NL	3122 785 10002
SM MG3.1E AA	D	3122 785 10003
SM MG3.1E AA	F	3122 785 10004
SM MG3.1E AA	I	31227 851 0005
SM MG3.1E AA	E	31227 851 0006

SERVICE INFORMATION	LANGUAGE	CODE NUMBER
SI MG3.1E 99-01		3122 785 40018

SERVICE MANUAL	LANGUAGE	CODE NUMBER
SM MG5.1E AA	GB	3122 785 10016
SM MG5.1E AA	NL	3122 785 10017
SM MG5.1E AA	D	3122 785 10018
SM MG5.1E AA	F	3122 785 10019
SM MG5.1E AA	I	3122 785 10021
SM MG5.1E AA	E	3122 785 10022

Remote control survey

RC TYPE	CODE NUMBER
RC 0736	4822 219 10434
RC 0768	3139 228 80491
RC 0770	4822 219 10354
RC 0771	4822 219 10408
RC 8106/01	3139 207 06971
RC0333/01	3139 148 55140
RC0770	3139 148 56101
RC0772	3139 228 80501
RC2006/01	4822 219 10647
RC2006/23	4822 219 10646
RC2007/01	3104 207 08811
RC2008/01	4822 219 10695
RC2009	4822 219 10578
RC2020/01	3104 207 09540
RC2021/01	3128 147 11490
RC2021/01B	3128 147 11491
RC2030/01	3104 207 09550
RC2031/01	3104 207 09560
RC2032/01	3104 207 09570
RC2033/01B	3104 207 09581
RC2034/01	3104 207 09590
RC2034/01B	3104 207 09591
RC2525/01	4822 219 10705
RC2529/01	4822 219 10772
RC2532/01	3139 228 82541
RC2541/00	3104 207 083527
RC2541/01	4822 219 10527
RC2591/00	4822 219 10579
RC2591/01B	4822 219 10577
RC2592/00	3104 207 09520
RC2592/01	3104 207 09530
RC2592/01B	3104 207 09531
RC282401/01	4822 219 10767
RC282601/01	3139 228 81411
RC282902/01	3139 228 81471
RC282903/01	4822 219 10769
RC283501/01	4822 219 10766
RC2882/01	3139 228 81971
RC2884/01	3139 228 83220
RC7535/00	4822 218 21318
RC7535/01	4822 218 21318
RC8201/00	4822 218 21248
RC8205	4822 219 10289
RC8213/01	4822 219 10556
RC8215/01	3128 147 11381
RCL9BC	3139 128 75701
RCL9BC	4822 219 10771
RCL9EA	4822 219 10706
RCL9ED	4822 219 10768
RCS82D	4822 219 10548
RCS82E	4822 219 10605
RCS82ERF	4822 219 10548

Tuner survey

RC TYPE	CODE NUMBER
FE415-G11	2422 542 90072
FQ916DME	4822 210 10636
FQ916DMF	4822 210 10634
TELE9-087A	4822 210 10823
TELE9-088A	4822 210 10827
TELH9-206A	4822 210 10828
TEDH9X001A	4822 210 10854
TEDH9X007A	4822 210 10852
U943C/IEC	4822 210 10464
UV1316/A I/2	4822 210 10848
UV1316/A I-2	4822 210 10841
UV1316/A P-2	4822 210 10773
UV1316MK2/PH	4822 210 10773
UV1336	4822 210 10743
UV915E/IEC	4822 210 10448
UV916S	4822 210 10691

CRT survey

RC TYPE	CODE NUMBER
14I COMB	3115 228 70131
370KSB22-SYB	4822 131 11294
510UFB22	4822 131 11299
510UFB22-TC69	4822 131 11203
A34AGT11X91	4822 131 11357
A34AGT13X62N	9322 113 49862
A34AGT13X95	9322 137 68682
A34AGT13X95E	9322 139 76682
A34AGT13X95G	9322 138 85682
A34AGT13X95R	9322 137 69682
A34EAC01X024	4822 131 11367
A34EAC01X15	4822 131 11084
A34EJL01X113	9301 826 30361
A34JXV70X	9322 020 62682
A48AGY13X95	9322 137 70682
A48AGY13X95R	9322 137 71682
A48ECR141X18	4822 131 11314
A48ECR143X18	9322 136 38682
A48EEB05X020	9301 640 60303
A48EJN05X110	9301 826 50361
A48JRK10X	4822 131 20477
A48JSK61X50	3115 228 70191
A48JSK61X-TC01	3115 229 00211
A51EAL/155X01	9301 680 90343
A51EAL155X47	4822 131 11105
A51EER133X72	9322 145 31682
A51EFK155X47	4822 131 11295
A51EHW155X47	9301 811 90384
A51KPX10X	4822 131 11104
A51KQQ30X115N	9322 100 31682
A51KXR95X	4822 131 20581
A51KXR95X99	9322 131 77682
A59EAK071X11	4822 131 11184
A59EAK552X11	4822 131 20568
A59EAK552X44	4822 131 20602
A59EEJ71X	4822 131 11368
A59EEJ71X11	4822 131 11366
A59EEJ71X11	4822 131 11368
A66EAK071X11	4822 131 11045
A66EAK552X11	4822 131 20559
A66EAK552X44	4822 131 20602
A68AJB82X01	4822 131 20628
A68ESF002X143	4822 131 11311
A68ESF002X111	9301 766 90314
A68ESF003X111	4822 131 11313
A68KVR030X001	4822 131 20668
A68LND256X01	4822 131 11353
A68LND257X01	4822 131 11354
A68LND258X01	4822 131 11355
A68QCP891X001	9322 142 09682
A68QCP891X100	9322 147 74682
A68QCP891X101	8204 000 73420
A68QCP891X102	9322 147 76682
A80ECK272X95	4822 131 11336
W56ESF002X44	4822 131 11185
W66ERF031X044	9301 828 00306
W66ESF002X044	4822 131 20704
W66ESF002X14	4822 131 20708
W76EGV023X115	9322 138 98682
W76EGV023X315	9322 148 59682
W76ERF031	8204 000 73350
W76ESF031X44	4822 131 20705
W86LPX955X	8204 000 73360

MG3.1A		Modelnumber							
Pos.	Board type	Service code	Diagram letter						
1010	LSP EU 28" WS ND	3104 328 02150	A	X	X	X	X	X	X
1001	SUPPLY PANEL	3104 328 03740	B	X	X	X	X	X	X
1000	MAINS SWITCH PANEL	3104 328 04340	E	X	X	X	X	X	X
1030	PTP6101,NO HEATS POLYG.	3104 328 03810	F	X	X	X	X	X	X
1500	DC-SHIFT PANEL	3104 328 00750	G	X	X	X	X	X	X
1000	DAF PANEL	3104 328 03590	I	X	X	X	X	X	X
1001	CLICKFIT	3104 328 01130	J	X	X	X	X	X	X
1020	SSP S3 AP 2FH CFP LTP LNA DB	3104 328 03580	K	X	X	X	X		
1020	SSP S3 CH 2FH CFP LTP DB PIP J	3104 328 03790	K						X
1021	FBX6 FALCONIC NO PAL+	3104 328 01710	L	X	X	X	X	X	X
1022	FDS POPOV PIP MULTI CHINA	3104 328 04070	M						X
1022	FDS POPOV PIP AP MULTI	3104 328 04080	M	X	X	X	X		
1047	SIDE I/O PANEL	3104 328 04360	O	X	X	X	X	X	X
1000	TOP CONTROLS	3104 328 06170	P	X	X	X	X	X	X

MG5.1E		Modelnumber							
Pos.	Board type	Service code	Diagram letter						
	POWER SUPPLY PANEL	9965 000 01987		X	X	X	X	X	X
	HIGH VOLTAGE SCAN PANEL	9965 000 01994		X	X	X	X	X	X
	MAINS SWITCH PANEL	9965 000 01992		X	X	X	X	X	X
	CONVERGENCE PANEL	9965 000 01991		X	X	X	X	X	X
	SCAVEM PANEL	9965 000 01996		X	X	X	X	X	X
	CRT GREEN PANEL	9965 000 01998		X	X	X	X	X	X
	CRT RED PANEL	9965 000 01997		X	X	X	X	X	X
	CRT BLUE PANEL	9965 000 02088		X	X	X	X	X	X
	AUDIO AMPLIFIER	9965 000 01986		X	X	X	X	X	X
	REAR SWITCH PANEL	9965 000 01995		X	X	X	X	X	X
	FRONT JACK PANEL	9965 000 01990		X	X	X	X	X	X
	INTERFACE PANEL	9965 000 01993		X	X	X	X	X	X
	CUSTOMER CONTROL PANEL	9965 000 01985		X	X	X	X	X	X
	SSP PTV EU	3104 328 03620		X	X	X	X	X	X

MG3.1E		Modelnumber																		
Pos.	Board type	Service code	Diagram letter																	
1010	LSP LT2 28WS CD	3104 328 01010	A																	
1010	LSP LT2 32WS CD	3104 328 01030	A					X	X	X										
1010	LSP LT2 29SF FD	3104 328 01050	A								X	X								
1010	LSP LT2 36RF FD	3104 328 02140	A																X	X
1010	LSP LT2 32RF FD	3104 328 02160	A									X	X	X						
1010	LSP LT2 28RF FD	3104 328 03710	A	X	X	X														
1010	LSP LT2 36RF CD	3104 328 06200	A																X	X
1010	LSP LT2 28WS CD PCB7	3104 328 07150	A					X	X	X	X									
1010	LSP LT2 32WS CD PCB7	3104 328 07160	A											X	X	X	X			
1010	LSP LT2 29SF FD PCB7	3104 328 07170	A							X	X									
1001	SUPPLY PANEL	3104 328 01110	B						X	X	X	X								
1001	SUPPLY PANEL 15W	3104 328 02180	B	X	X	X				X	X	X	X	X						
1001	SUPPLY PANEL 36" 15W	3104 328 07400	B															X	X	X
1000	MAINS SWITCH PANEL FL7	3104 328 02430	E					X	X	X	X	X								
1000	MAINS SWITCH PANEL FL9	3104 328 04340	E	X	X	X					X	X	X	X					X	X
1030	PTP SVM 6111 HEAT 100HZ 2	3104 328 02320	F					X	X	X	X	X								
1030	PTP SVM 6111 HEAT 100HZ 3	3104 328 02340	F															X	X	X
1030	PTP P1 28RF EUR	3104 328 03800	F	X	X	X														
1030	PTP P1 36RF EUR	3104 328 03830	F															X	X	X
1030	PTP P1 32RF EUR	3104 328 04020	F									X	X	X						
1500	DC-SHIFT PANEL	3104 328 00750	G					X	X	X	X	X	X	X	X	X	X	X	X	X
1500	DC-SHIFT PANEL	3104 328 06520	G	X	X	X	X	X	X	X	X	X	X	X	X	X	X	X	X	X
1000	DAF H 28/32RF PHIL	3104 328 05730	I	X	X	X					X	X	X	X						
1000	DAF H+V 36RF MEC	3104 328 05750	I															X	X	X
1001	CLICKFIT	3104 328 01130	J	X	X	X				X	X	X	X	X				X	X	X
1020	SSP S2 MT EU CF LTP FAL	3104 328 00990	K							X	X									
1020	SSP S2 MT CF LTP EPG FAL P+	3104 328 02020	K					X	X	X	X				X	X	X			
1020	SSP S2 MT EU CF LTP EPG FAL	3104 328 02300	K																X	X
1020	SSP S2 MT EU LTP EPG FAL MCS FDS	3104 328 04620	K																	X
1020	SSP S2 MT EU CF LTP FAL	3104 328 05890	K	X	X						X	X	X					X	X	
1020	SSP S2 MT EU LTP FAL	3104 328 06220	K									X							X	
1020	SSP S2 MT CF LTP FAL FR	3104 328 06990	K								X									
1020	SSP S2 MT CF LTP EPG FAL P+ FR	3104 328 07000	K							X						X	X			
1020	SSP S2 MT LTP FAL FR	3104 328 07040	K					X					X						X	
1021	FBX6 FALCONIC NO PAL+	3104 328 01710	L	X	X			X	X	X	X	X	X	X	X	X	X	X	X	X
1021	FBX6 FALCONIC NO PAL+ FR	3104 328 07110	L					X			X	X	X					X	X	
1022	FDS EUR	3104 328 01170	M																X	X
1022	FDS PIP EUR	3104 328 03320	M								X	X								
1023	MCS	3104 328 01950	N					X	X	X	X				X	X	X	X		X
1047	SIDE I/O PANEL	3104 328 03540	O					X	X	X	X	X			X	X	X	X		
1047	SIDE I/O PANEL FL9	3104 328 06350	O	X	X	X					X	X	X	X				X	X	
1047	SIDE I/O PANEL FL9	3104 328 06980	O																X	X
1000	TOP CONTROLS FL7	3104 328 04310	P					X	X	X	X	X			X	X	X	X		
1000	TOP CONTROLS FL9 28"	3104 328 05720	P	X	X	X														
1000	TOP CONTROLS FL9 32/36"	3104 328 06170	P								X	X	X	X				X	X	X

Software survey

SOFTWARE SURVEY									
CHASSIS	FAMILY	PRODUCTION CODE	UP TYPEVERSION	IDENT	SERVICE CODE	HOTEL MODE ?	REMARKS TYPICAL FOR THIS SOFTWARE	IDENT	REPLACED BY
AA5H1 AA	NON SYSTEM	PM00		V1.0	4822 209 13134	In installation menu		V1.4	4822 209 13134
AA5H1 AA	NON SYSTEM			V1.4	4822 209 13134	In installation menu		V1.5	4822 209 13654
AA5H1 AA	NON SYSTEM			V1.5	4822 209 13654	In installation menu	Replaces versions V1.0..V1.4	V1.6	4822 209 15648
AA5H1 AA	NON SYSTEM			V1.6	4822 209 15648	In installation menu			
AA5H1 AA	SYSTEM			V2.4	4822 209 13653	In installation menu	Replaces versions V2.0..V2.3		
AA5H1 AA	SYSTEM			V2.3	4822 209 13653	In installation menu			
AA5H1 AA on card				DEMO 32K	4822 209 15466		EPROM ITEM 7009 on SCCB board		
AA5H1 AA on card				DEMO 1.01	4822 209 16436		EPROM ITEM 7009 on SCCB board		
AA5H1 AA on card				SW5_30	4822 209 16819		EPROM ITEM 7009 on SCCB board		
AA5H1 AA on card				SW5_31	4822 209 17501		EPROM ITEM 7009 on SCCB board		
A7H.1 AA	NON SYSTEM			V1.6	4822 209 15648	In installation menu			
A7H.1 AA	SYSTEM			V2.6 (OTP)	4822 209 16322	In installation menu			4822 209 17272
A7H.1 AA	SYSTEM			V2.6 (mask)	4822 209 17272	In installation menu			
A8.0A AA	Pal/Multi, TXT	From week 9904 onwards		A80PT1-2.6	4822 209 17189		Languages: English, Malay, Chinese. Sets: /69, 75, 79		
A8.0A AA	Pal/Multi, TXT			A80PN1-2.9	4822 209 17469		Languages: English, Malay, Chinese. Sets: /67, /63		
A8.0A AA	Pal/Multi, TXT	From week 9902 onwards		A80NG1-2.6	4822 209 17218		Languages: English, Arabic Sets: /56		
A8.0A AA	NTSC, ZCS			A80NG1-2.5	4822 209 17333		Languages: English, Hangul, Sets: /61		
A8.0A AA	NTSC, BTSC			A80NB1-2.4	4822 209 17332		Languages: English, Taiwanese, Sets: /71		
A8.0A AA	Pal/Multi, TXT	For set produced wk 0001 onwards, SV02 and above		A8 2AP3-0.3	9352 640 20112		Languages: English, Malay, Chinese. Sets: /69, 75, 79. This software is NOT compatible with previous chassis due to hardware change		
A8.0A AA	Pal/Multi	For set produced wk 0001 onwards, SV02 and above		AB 1AP5-0.4	9352 640 35112		Languages: English, Malay, Chinese. Sets: /57, /63. This software is NOT compatible with previous chassis due to changes on hardware		
A8.0A AA	Pal/Multi, TXT	For set produced wk 0001 onwards, SV02 and above		AB 1AP6-0.3	9352 640 58112		Languages: English, Arabic, Sets: /56. This software is NOT compatible with previous chassis due to changes on hardware		
A8.0A AA	NTSC, BTSC	For set produced wk 0001 onwards, SV02 and above		AB 1AP3-0.4	9352 640 97112		Languages: English, Taiwanese, Sets: /71. This software is NOT compatible with previous chassis due to changes on hardware		
A8.0A BA	Pal/Multi, TXT			A8 2AP2-0.4	9352 641 53112		Languages: English, Malay, Chinese. Sets: 29PT6231/69, 79		
A8.0A BA	NTSC, ZCS			AB 1AP4-0.5	9352 641 10112		Languages: English, Malay, Chinese. Sets: 29PT6231/67		
A8.0A BA	NTSC, BTSC			AB 3AP2-0.6	9352 644 99112		Languages: English, Hangul, Sets: 29PT6031/61		
A8.0E AA	W.Eur, main controller			A80EP1-2.2	-	No	not for 16/9 (WSSB EXT1/2 problem, mono/stereo problem, no DST on Secam L)	A80EP1-3.2	4822 209 17408
A8.0E AA	W.Eur, main controller			A80EP1-3.1	-	No	not for 4/3	A80EP1-3.2	4822 209 17408
A8.0E AA	W.Eur, main controller			A80EP1-3.2	4822 209 17408	No	not for 4/3 & 16/9	A80EE-1.2	3111 250 54411
A8.0E AA	W.Eur, TXT controller			SAAS262/149 (6262-3-24)	-	No	no Greek TXT, ACI problem (Belgium), WSSB problem (off air)	SAAS262/249	4822 209 17234
A8.0E AA	W.Eur, TXT controller			SAAS262/236 (6262-8-3)	-	No	no Spanish/Portuguese	SAAS262/249	4822 209 17234
A8.0E AA	E.Eur, main controller			SAAS262/249 (6262-8-24)	4822 209 17234	No	not for 16/9 (WSSB EXT1/2 problem, mono/stereo problem, no DST on Secam L)	A80EP2-2.7	9352 617 53112
A8.0E AA	E.Eur, main controller			A80EP2-2.2	-	No	not for 4/3, Nizam problem, Polish clock problem	A80EP2-2.7	9352 617 53112
A8.0E AA	E.Eur, main controller			A80EP2-2.7	9352 617 53112	No	for 4/3 & 16/9	SAAS262/235	4822 209 17233
A8.0E AA	E.Eur, TXT controller			SAAS262/141 (6262-3-9)	-	No	WSSB problem (off air), no French, Hungarian TXT	-	-
A8.0E AA	E.Eur, TXT controller			SAAS262/135 (6262-8-8)	4822 209 17233	No	for 16/9 + EPG sets only	-	-
A8.0L AA	Lalam			A80EE1-1.2	3111 250 54411	No	Sets: /77	-	-
FTV1.5 E	Europe			3104 317 00830	-	No	First 100 sets	V_3104 317 00970	4822 900 11192
FTV1.5 E	Europe	From week 9744 and higher		3104 317 00970	-	No	Start production	V_3104 317 00980	4822 900 11192
FTV1.5 E	Europe	From week 9748 and higher		3104 317 00940	-	No		V_3104 317 01150	4822 900 11192
FTV1.5 E	Europe	From week 9819 and higher		3104 317 01150	-	No	Full spec	V_3104 317 01260	4822 900 11192
FTV1.5 E	Europe	From week 9822 and higher		3104 317 01200	-	No	MD2.2 solution for avoiding strange teletext characters after power-up	V_3104 317 01260	4822 900 11192
FTV1.5 E	Europe	From week 9826 and higher		3104 317 01260	-	No	Two digit start-up at first favourite now correct, correct restore of aspect ratio after multi-pp on a PAL+ channel, DNR of a preset no longer reset by multi-pp	V_3104 317 01510	4822 900 11192
FTV1.5 E	Europe	From week 9842 and higher		3104 317 01510	4822 900 11192	No	Wrong interpretation of TXT language bits, aspect ratio problem, DNR switched off after scan/total/finish, blanking of a program after leaving stby and previous viewmode after multi PIP gives strange effects solved.	-	-
FTV1.5 E	East Europe	From week 9912 and higher		3104 317 01640	4822 900 11325	No		-	-
FTV1.5U	USA			3104 317 00910	-	No	Trial run sets	V_3104 317 01010	4822 209 16212
FTV1.5U	USA			3104 317 01010	4822 209 16212	No	Full production sets, V2.2	V_3104 317 01120	4822 900 11244
FTV1.5U	USA	From week 9809 and higher		3104 317 01120	-	No	Full spec	V_3104 317 01280	4822 900 11244
FTV1.5U	USA	From week 9826 and higher		3104 317 01280	-	No	MD2.2 solution for avoiding strange teletext characters after power-up, comb filter is disabled for A/V2 to solve Macrovision problems, two digit start-up at first favourite now correct, DNR of a preset no longer reset by multi-pp	V_3104 317 01540	4822 900 11244
FTV1.5U	USA	From week 9842 and higher		3104 317 01540	4822 900 11244	No	Wrong interpretation of TXT language bits solved and wrong viewmode change Super/Wide into Widescreen	-	-

Software survey

SOFTWARE SURVEY

CHASSIS	FAMILY	PRODUCTION CODE	UP TYPE/VERSION	IDENT	SERVICE CODE	HOTEL MODE ?	REMARKS TYPICAL FOR THIS SOFTWARE	REPLACED BY IDENT	SERVICE CODE
FTV1.5A	Asian Pacific			3104 317 01060	-	No	Picture mute disabled for extensions, teletext can not be activated on DK channels, local volume bar added, smart settings adapted/several faults fixed for NICAMHD implementation, faults fixed in Chinese OSD	V_3104 317 01290	4822 900 11273
FTV1.5A	Asian Pacific	From week 9826 and higher		3104 317 01290	-	No	MD2.2 solution for avoiding strange teletext characters after power-up, comb filter is disabled for AV3 to solve Macro/vision problems, two digit start-up at first favourite now correct, DNR of a preset no longer reset by multi-ppp	V_3104 317 01400	4822 900 11273
FTV1.5A	Asian Pacific	From week 9830 and higher		3104 317 01400	-	No	Picture no longer jumping during multi PIP scan DNR no longer affected by switching off double window, english translation of sound styles now consistent with Chinese text, option number changed; standby toggle on, name recognition of (option 6 = 07191).	V_3104 317 01530	4822 900 11273
FTV1.5A	Asian Pacific	From week 9842 and higher		3104 317 01550	4822 900 11273	No	TXT software upgraded to MD2.2 situation, wrong interpretation of TXT language his solved and wrong viewmode change Super Wide into Widescreen	-	-
GFL6D	PAL (multi)	-		PMPTV1-V3	-	No	-	PMPTV1-V4	4822 900 10961
GFL6D	PAL (multi)	Week 9707 and higher		PMPTV1-V4	4822 900 10961	No	Solution for convergence failures and introduction of watchdog timer solution for laser flash	-	-
GFL6D	PAL (multi)	Week 9708 and higher		PMPTV1-V5	4822 900 11092	No	-	-	-
GFL6D	Korea	-		KRP1V1-V1	-	No	-	KRP1V1-V1	4822 900 11168
GFL6D	Korea	-		KRP1V1-V2	4822 900 11168	No	-	-	-
GFL7D	West Europe 48"	-		3135 010 01630	4822 900 11213	No	-	-	-
GFL7D	East Europe 48"	-		3135 010 01640	4822 900 11214	No	-	-	-
GFL7D	Asian Pacific 48"	-		3135 010 01650	4822 900 11215	No	-	-	-
GFL7D	Asian Pacific 54"	-		3135 010 01660	4822 900 11216	No	-	-	-
GFL7D	Latam 54"	-		3135 010 01680	4822 900 11247	No	-	-	-
GFL7D	Europe & AP	TD03 or higher		4822 900 11251	4822 900 11251	No	Blue CRT correction	-	-
L6.1 AA	-	QG00		L6NOTXT-1.0	4822 209 13083	No	Repaired by 4822 209 13085	RA17	4822 209 13085
L6.1 AA	-	QG00		L6NOTXT-2.0	4822 209 13085	Yes	-	RA18	-
L6.1 and L6.2 AA	1 page TXT Europe	week 741		L6TXMOE1-1.1	4822 209 14646	Yes	solution for search problem	SAAS590ZP072	-
L6.1 and L6.2 AA	1p TXT Greek/Turkish	week 741		L6TXMOE1-1.1	4822 209 14646	Yes	solution for search problem	SAAS590ZP074	-
L6.1 and L6.2 AA	1p TXT Cyrillic	week 741		L6TIMOCY-1.1	4822 209 15425	Yes	solution for search problem	SAAS590ZP073	-
L6.1 AA	1p TXT Stereo 2CS	week 741		L6TXS1E-1.0	4822 209 15426	No	solution for search problem	SAAS590ZP087	-
L6.1 and L6.2 AA	1 p TXT Nicam EUR	week 741		L6TINICEU-1.2	4822 209 15955	No	solution for search problem	SAAS590ZP075	-
L6.1 and L6.2 AA	1 p TXT Nic G/Turk	week 741		L6TINICET-1.2	4822 209 15956	No	solution for search problem	SAAS590ZP076	-
L6.3 AA	10p TXT Europe	-		L6N10E-1.0	4822 209 16928	No	-	-	-
L6.3 AA	10p TXT Europe	-		L6N10E-1.1	4822 209 17219	No	-	-	-
L6.3 AA	10p TXT Europe	-		L6N10E-2.0	9352 621 61112	No	2 scans multi-system	-	-
L7.1	Pal /multi TXT	-		SAAS590ZP/068	4822 209 15699	Yes	-	-	-
L7.1	PAL Non TXT VST	-		P083C055BPP173	4822 209 15562	Yes	-	-	-
L7.1	PLL Non TXT NTSC	-		P083C055BPP177	4822 209 15563	Yes	-	-	-
L7.1	PLL N TXT LATAM	-		P083C055BPP179	4822 209 15564	Yes	-	-	-
L7.1	PLL NTSC	-		P083C055BPP188	4822 209 16168	Yes	-	-	-
L7.2 A	PAL/MULTI TXT	-		SAAS597PS/064	4822 209 16173	See hotel mode survey	-	-	-
L7.2 A	PAL/MULTI NO TXT	-		P83C366BDR/011	4822 209 16176	See hotel mode survey	-	-	-
L7.2 A	LATAM	-		P83C366BDR/017	4822 209 16715	Yes	-	-	-
L7.2 A	NTSC	-		P83C366BDR/013	4822 209 16255	Yes	-	-	-
L7.2 E	EUROPE WEST	-		SAAS597PS/044	4822 209 16525	See hotel mode survey	-	-	-
L7.2 E	CYRLIC	-		SAAS597PS/048	4822 209 16533	See hotel mode survey	-	-	-
L7.2 E	GREEK/TURK	-		SAAS597PS/057	4822 209 16532	See hotel mode survey	-	-	-
L7.2 E	EUROPE EAST	-		SAAS597PS/060	4822 209 16435	See hotel mode survey	-	-	-
L7.2 E	EUROPE WEST	-		SAAS597PS/082	4822 209 17181	See hotel mode survey	-	-	-
L7.2 E	CYRLIC	-		SAAS597PS/061	4822 209 17334	See hotel mode survey	-	-	-
L7.2 E	EUROPE WEST	-		SAAS597PS/206	4822 209 17222	See hotel mode survey	-	-	-
L7.2 E	EUROPE EAST	-		SAAS597PS/214	4822 209 17388	See hotel mode survey	-	-	-
L7.2 E	GREEK/TURK	-		SAAS597PS/215	4822 209 17368	See hotel mode survey	-	-	-
L7.3A	PLL TV NONI TXT	-		P87C766BDR/01	4822 209 15931	YES	-	-	-
L7.3A	VST N TXT 25/28" A/P	-		P83C366BDR/016	4822 209 16469	YES	-	-	-
L7.3A	PLL NONI TXT NTSC	-		P87C70DAR/40	4822 209 16308	YES	-	P83C366BDR/020	935261536112
L7.3A	PLL NONI TXT 61R	-		SAAS597PS/051	4822 209 16312	YES	-	NOT USE IN ANY SET	-
L7.3A	VST NONI TXT 25/29/56A	-		P83C366BDR/023	935261726112	YES	-	-	-
L7.3A	VST 10P PAL/NTSC	-		SAAS597PS/061	935261778112	YES	-	-	-
L7.3A	25"/29"/AP	-		SAAS597PS/209	9352617783112	YES	-	-	-
L7.3A	VST NONI TXT 25/29/74R	-		P83C366BDR/025	935261803112	YES	-	-	-
L7.3A	PLL-CC LATAM	-		P83C570AAR/038	935262352112	YES	-	-	-

Software survey

SOFTWARE SURVEY

CHASSIS	FAMILY	PRODUCTION CODE	UP TYPE/VERSION	IDENT	SERVICE CODE	HOTEL MODE?	REMARKS TYPICAL FOR THIS SOFTWARE	IDENT	REPLACED BY SERVICE CODE
L7.3A	VST NON TXT /57			P83C56BDR/029	935262 96112	YES			
L7.3A	PLL ITV TXT A/P			SAA5297PS/239	93526296312	YES			
L9.1E /L9.2E	Europe West, 10p-xt	Wk9907 or higher	SAA5564P/SM2/015	L90EF1-1.2	4822 209 17487	No	Languages: West Europe	L90EF1-1.3	9352 634 42112
L9.1E /L9.2E	Europe West, 10p-xt	Wk9907 or higher	SAA5564P/SM2/025	L90EF1-1.3	9352 634 42112	No	Languages: West Europe	L90EF1-1.5	9352 639 79112
L9.1E /L9.2E	Europe West, 10p-xt	Wk9907 or higher	SAA5564P/SM2/052	L90EF1-1.5	9352 639 79112	No	Languages: West Europe	L90EF1-1.7	9353 645 58112
L9.1E /L9.2E	Europe West, 10p-xt	Wk9907 or higher	SAA5564P/SM2/094	L90EF1-1.7	9353 645 58112	No	Languages: West Europe	N.A.	9354 655 78112
L9.1E /L9.2E	Europe East, 10p-xt	Wk9907 or higher	SAA5564P/SM2/016	L90EF2-1.0	4822 209 17488	No	Languages: East Europe	L90EF2-1.1	9352 634 43112
L9.1E /L9.2E	Europe East, 10p-xt	Wk9907 or higher	SAA5564P/SM2/026	L90EF2-1.1	9352 634 43112	No	Languages: East Europe	L90EF2-1.3	9352 639 95112
L9.1E /L9.2E	Europe East, 10p-xt	Wk9907 or higher	SAA5564P/SM2/055	L90EF2-1.3	9352 639 95112	No	Languages: East Europe	L90EF2-1.3	9352 645 10112
L9.1E /L9.2E	Europe East, 10p-xt	Wk9907 or higher	SAA5564P/SM3/1055	L90EF2-1.3	9352 645 10112	No	Languages: East Europe	N.A.	
L9.1A /L9.2A	Non-Text (English, Malay, S. Chinese)	Wk9004.1 or higher	SAA5542P/SM2/017	L90AN1-1.0	4822 209 17538	No		L90AN1-1.1	9352 640 98112
L9.1A /L9.2A	Non-Text (English, Malay, S. Chinese)	Wk9004.1 or higher	SAA5542P/SM2/060	L90AN1-1.1	9352 640 98112	No		L90AN1-1.1	9352 645 12112
L9.1A /L9.2A	Non-Text (English, Malay, S. Chinese)	Wk9004.1 or higher	SAA5542P/SM2/1060	L90AN1-1.1	9352 645 12112	No		N.A.	N.A.
L9.1A /L9.2A	Non-Text (English, Arabic)	Wk928.5 or higher	SAA5542P/SM2/065	L90AN2-1.0	9352 641 68112	No		L90AN2-1.0	9352 653 69112
L9.1A /L9.2A	Non-Text (English, Arabic)	Wk928.5 or higher	SAA5542P/SM4/1065	L90AN2-1.0	9352 653 69112	No		N.A.	N.A.
L9.1A /L9.2A	Non-Text (English, Thai, Vietnamese)	Wk915.5 or higher	SAA5542P/SM2/042	L90AN3-1.0	9352 637 12112	No		L90AN3-1.1	9352 642 25112
L9.1A /L9.2A	Non-Text (English, Thai, Vietnamese)	Wk915.5 or higher	SAA5542P/SM2/072	L90AN3-1.1	9352 642 25112	No		L90AN3-1.1	9352 653 71112
L9.1A /L9.2A	Non-Text (English, Thai, Vietnamese)	Wk915.5 or higher	SAA5542P/SM4/1072	L90AN3-1.1	9352 653 71112	No		L90AN3-1.2	9352 664 04112
L9.1A /L9.2A	Non-Text (English, Thai, Vietnamese)	Wk915.5 or higher	SAA5542P/SM4/136	L90AN3-1.2	9352 664 04112	No		N.A.	N.A.
L9.1A /L9.2A	Non-Text (English, Hindi)	Wk914.3 or higher	SAA5542P/SM2/040	L90AN4-1.1	9352 636 65112	No		L90AN4-1.1	9352 645 14112
L9.1A /L9.2A	Non-Text (English, Hindi)	Wk914.3 or higher	SAA5542P/SM2/1040	L90AN4-1.1	9352 645 14112	No		N.A.	N.A.
L9.1A /L9.2A	Text 10 page (English, Malay, S. Chinese)	Wk9004.1 or higher	SAA5563P/SM2/018	L90AT1-1.0	4822 209 17537	No		L90AT1-1.1	9352 647 78112
L9.1A /L9.2A	Text 10 page (English, Malay, S. Chinese)	Wk9004.1 or higher	SAA5563P/SM2/068	L90AT1-1.1	9352 647 78112	No		L90AT1-1.1	9352 645 11112
L9.1A /L9.2A	Text 10 page (English, Malay, S. Chinese)	Wk9004.1 or higher	SAA5563P/SM3/1068	L90AT1-1.1	9352 645 11112	No		N.A.	N.A.
L9.1A /L9.2A	Text 10 page (English, Arabic)	Wk919.5 or higher	SAA5563P/SM2/037	L90AT2-1.1	9352 636 28112	No		L90AT2-1.1	9352 636 43112
L9.1A /L9.2A	Text 10 page (English, Arabic)	Wk919.5 or higher	SAA5563P/SM2/049	L90AT2-1.1	9352 636 43112	No		L90AT2-1.2	9352 640 16112
L9.1A /L9.2A	Text 10 page (English, Arabic)	Wk919.5 or higher	SAA5563P/SM2/058	L90AT2-1.2	9352 640 16112	No		L90AT2-1.2	9352 653 80112
L9.1A /L9.2A	Text 10 page (English, Arabic)	Wk919.5 or higher	SAA5563P/SM2/1058	L90AT2-1.2	9352 653 80112	No		N.A.	N.A.
L9.1A /L9.2A	NTSC - Taiwan & Philippines (English, Tagalog, T. Chinese)	Wk913.4 or higher	SAA5543P/SM2/038	L90AC1-1.0	9352 636 39112	No		L90AC1-1.1	9352 639 94112
L9.1A /L9.2A	NTSC - Taiwan & Philippines (English, Tagalog, T. Chinese)	Wk913.4 or higher	SAA5543P/SM2/054	L90AC1-1.1	9352 639 94112	No		L90AC1-1.2	9352 653 72112
L9.1A /L9.2A	NTSC - Taiwan & Philippines (English, Tagalog, T. Chinese)	Wk913.4 or higher	SAA5543P/SM4/1054	L90AC1-1.2	9352 653 72112	No		N.A.	N.A.
L9.1L /L9.2L		Wk9915 or higher		L90LS1-1.0	4822 209 17542	No	CC Mono/Stereo (English, Portuguese, Spanish)		
MD1.0A	4/3 Pal/Multi	Wk9642 or higher		version 4.4 / 3315	4822 209 14885	No		version 4.6	4822 900 11073
MD1.0A	4/3 Pal/Multi			version 4.5 / 3353	4822 900 10968	No		version 4.6	4822 900 11073
MD1.0A	4/3 Pal/Multi			version 4.6 / 3448	4822 900 10967	No	Also for China without PIP	no later version	-
MD1.0A	4/3 NTSC Korea			version 4.3 / 3380	4822 900 10987	No		no later version	-
MD1.0A	4/3 NTSC Taiwan			version 4.5	4822 900 11097	No		no later version	-
MD1.0A	4/3 VGA Pal/Multi			version 4.2	4822 900 10958	No		version 4.3	4822 900 11079
MD1.0A	4/3 VGA Pal/Multi			version 4.3 / 3430	4822 900 11079	No		no later version	-
MD1.0A	4/3 VGA NTSC Korea			version 4.2	4822 900 11098	No		no later version	-
MD1.0A	4/3 China PIP			version 4.1 / 3412	4822 900 11078	No	For China without PIP use 4x3 Pal/Multi V4.6 (4822 900 11073)	version 4.2	4822 900 11233
MD1.0A	4/3 China PIP			version 4.2 / 3480	4822 900 11233	No	Solves local dooming in China	no later version	-
MD1.0A	4/3 Latam			version 4.5 / 3442	4822 900 11101	No		no later version	-
MD1.0A	16/9 Pal/Multi			version 4.2	4822 900 10966	No		version 4.5	4822 900 11077
MD1.0A	16/9 Pal/Multi			version 4.5	4822 900 11077	No		no later version	-
MD1.0A	16/9 NTSC Korea			version 4.2	4822 900 10969	No		version 4.6	4822 900 11096
MD1.0A	16/9 NTSC Korea			version 4.6	4822 900 11096	No		no later version	-
MD1.1A	Pal/Multi			MI1PM1-1.0	4822 900 11136	No		MI1PM1-1.1	4822 900 11256
MD1.1A	Pal/Multi			MI1PM1-1.1	4822 900 11256	No	New: Nitem DK; Changed: smart setting values, SVHS Y/C delay, fixed video control TXT, demute VOL UP, no demute VOL DOWN	no later version	-
MD1.1A.BA	Pal/Multi			MI1PM1-1.4	4822 900 11313	No		no later version	-

Software survey

SOFTWARE SURVEY

CHASSIS	FAMILY	PRODUCTION CODE	UP TYPE/VERSION	IDENT	SERVICE CODE	HOTEL MODE?	REMARKS TYPICAL FOR THIS SOFTWARE	IDENT	REPLACED BY SERVICE CODE
MD11A.BA	Taiwan			M11TRT-1.1	4822 900 11314	No			no later version
MD11E	Satellite			version 10	4822 209 13041	No	For use in MD11E only	version 11	4822 900 11175
MD11E & MD12E	Satellite			version 11	4822 900 11175	No	For use in MD11E (option M2-N) and MD12E (option M2-Y)	no later version	-
MD12 E	64K up (TMP87XM38N)			M12CO1-3.2		No	ACI, ATS, languages GB+FI+SW+DK+N+H+NL+D+I (only 4.3)	M12CO1-5.2	4822 900 11082
MD12 E	64K up (TMP87XM38N)			M12CO2-3.2		No	ACI, ATS, languages GB+ES+P+GR+HU+PL+CZ+RU+Slovak (only 4.3)	M12CO2-5.2	4822 900 11083
MD12 E	64K up			M12CO1-4.0		No	ACI, ATS, languages GB+FI+SW+DK+N+H+NL+D+I; Blinking LED (only 4.3)	M12CO1-5.2	4822 900 11082
MD12 E	64K up			M12CO2-4.0		No	ACI, ATS, languages GB+ES+P+GR+HU+PL+CZ+RU+Slovak; Blinking LED (only 4.3)	M12CO2-5.2	4822 900 11083
MD12 E	64K up			M12CO1-5.1		No	ACI, ATS, languages GB+FI+SW+DK+N+H+NL+D+I	M12CO1-5.2	4822 900 11082
MD12 E	64K up			M12CO2-5.1		No	ACI, ATS, languages GB+ES+P+GR+HU+PL+CZ+RU+Slovak	M12CO2-5.2	4822 900 11083
MD12 E	64K up			M12CO1-5.2		No	ACI, ATS, languages GB+FI+SW+DK+N+H+NL+D+I	M12CO1-5.3	4822 900 11224
MD12 E	64K up			M12CO2-5.2		No	ACI, ATS, languages GB+ES+P+GR+HU+PL+CZ+RU+Slovak	M12CO2-5.3	4822 900 11224
MD12 E	64K up			M12CO1-5.3		No	ACI, ATS, languages GB+FI+SW+DK+N+H+NL+D+I; ACI fixed for Switzerland	M12CO1-5.4	4822 900 11238
MD12 E	64K up			M12CO2-5.3		No	GB+ES+P+GR+HU+PL+CZ+RU+Slovak	M12CO2-5.4	4822 900 11238
MD12 E	64K up			M12CO1-5.4		No	Solves AutoScan on VCR P+P-; GB+FI+SW+DK+N+H+NL+D+I	M12CO1-5.4	4822 900 11239
MD12 E	64K up			M12CO2-5.4		No	Solves AutoScan on VCR P+P-; GB+ES+P+GR+HU+PL+CZ+RU+Slovak	M12CO2-5.4	4822 900 11239
MD12 E	64K up			M12CO3-5.4		No	Solves AutoScan on VCR P+P-; GB+FI+SW+DK+N+H+NL+D+I	no later version	-
MD12 E	64K up			M12CO1-1.0		No	Solves AutoScan on VCR P+P-; GB+ES+P+GR+HU+PL+CZ+RU+Slovak	no later version	-
MD12 E	Dolby			M12DO1-1.1		No	Solves AutoScan on VCR P+P-; GB+FI+SW+DK+N+H+NL+D+I	no later version	-
MD12 E	Dolby			M12DO2-1.0		No	ACI, ATS, WSSB: languages GB+FI+NL+D+I (only 16.9)	M12DO1-1.1	4822 900 11084
MD12 E	Dolby			M12DO1-1.1		No	ACI, ATS, WSSB: languages GB+FI+NL+D+I (only 16.9)	M12DO2-1.1	4822 900 11152
MD12 E	Dolby			M12DO2-1.1		No	ACI, ATS, WSSB: languages GB+FI+NL+D+I (4.3 & 16.9)	M12DO1-1.4	4822 900 11242
MD12 E	Dolby			M12DO1-1.4		No	Solves HALL mode problem & Swiss ACI; GB+FI+NL+D+I	M12DO2-1.4	4822 900 11242
MD12 E	Dolby			M12DO2-1.4		No	Solves HALL mode problem & Swiss ACI; GB+FI+NL+D+I	no later version	-
MD12 E	MD1,1/MD1.2 with TMP87XM38N -)			M12BA1-4.0		No	ACI, no ATS; languages FI+D+NL+I	no later version	-
MD12 E	MD1,1/MD1.2 with TMP87XM38N -)			M12BA2-4.0		No	ACI, no ATS; languages SW+DK+N+FI	no later version	-
MD12 E	MD1,1/MD1.2 with TMP87XM38N -)			M12BA3-4.0		No	ACI, no ATS; languages GB+ES+P+GR	no later version	-
MD12 E	MD1,1/MD1.2 with TMP87XM38N -)			M12BA5-4.0		No	ACI, ATS; languages GB+D	no later version	-
MD12 E	MD1,1/MD1.2 with TMP87XM38N -)			M12BA6-4.0		No	ACI, no ATS; languages GB+HU+PL+CZ+RU+Slovak	no later version	-
MD211 E	-> remark set in Service								
MD211 E	Week 9614 and higher			3104 317 00141		No	Software for fighter sets, new sound detection (faster) and blocked TXT is solved	V_3104 317 00200	4822 900 10771
MD211 E	Week 9627 and higher			3104 317 00340		No	LV13M4 problem solved	V_3104 317 00540	4822 900 10771
MD211 E	Week 9646 and higher			3104 317 00540		No	Sound problems solved	V_3104 317 00650	4822 900 10771
MD211 E	for -f58 sets			3104 317 00650		No	Wrong characters on screen in TXT mode solved	-	-
MD211 E	Week 9627 and higher			3104 317 00330		No	PIP feature added	V_3104 317 00460	4822 900 10857
MD211 E	for -f58 sets			3104 317 00460		No	Sound problems for BL characters	V_3104 317 00530	4822 900 10857
MD211 E	Week 9703 and higher			3104 317 00660		No	Adaptions for BL characters	V_3104 317 00660	4822 900 10857
MD211 E	for -f58 sets			3104 317 00660		No	Wrong characters on screen in TXT mode solved	V_3104 317 00930	4822 900 10857
MD211 E	for -f58 sets			3104 317 00830		No	Recognition of TOP TXT menu for Poland	-	-
MD212 E	Week 9608 and 9609			3104 317 00031		No	Only used for France; problem with canna+ decoder solved	V_3104 317 00140	4822 900 10771
MD212 E	Week 9610 up to and including 9613			3104 317 00151		No	Only used for France; problem with canna+ decoder solved	V_3104 317 00140	4822 900 10771
MD212 E	Week 9614 and higher			3104 317 00141		No	Software for fighter sets, new sound detection (faster) and blocked TXT is solved	V_3104 317 00200	4822 900 10771
MD212 E	not used in production			3104 317 00200		No	Suitable for WS sets, dolby sets, TD49143	V_3104 317 00340	4822 900 10771
MD212 E	Week 9627 and higher			3104 317 00340		No	LV13M4 problem solved	V_3104 317 00540	4822 900 10771
MD212 E	Week 9646 and higher			3104 317 00540		No	Sound problems solved	V_3104 317 00650	4822 900 10771
MD212 E	Week 9627 and higher			3104 317 00330		No	Wrong characters on screen in TXT mode solved	-	-
MD212 E	for -f58 sets			3104 317 00330		No	PIP feature added	V_3104 317 00460	4822 900 10857
MD212 E	Week 9642 and higher			3104 317 00460		No	Sound problems solved	V_3104 317 00530	4822 900 10857
MD212 E	for -f58 sets			3104 317 00530		No	Adaptions for BL characters	V_3104 317 00660	4822 900 10857
MD212 E	Week 9703 and higher			3104 317 00660		No	Wrong characters on screen in TXT mode solved	V_3104 317 00930	4822 900 10857
MD212 E	for -f58 sets			3104 317 00660		No	Recognition of TOP TXT menu for Poland	-	-
MD22xE	Non EPG sets			NOILETM0007/01		No	Only used for 25PT8303 and 29PT8303	NOILETM0007/01	4822 900 11102
MD22xE	Non EPG sets			NOILETM0389/01		No	Not used in xxPT8303 sets	NOILETM0389/01	4822 900 11102
MD22xE	Non EPG sets			3104 317 00730		No	Not used in xxPT8303 sets	V_3104 317 00730	4822 900 11102
MD22xE	Non EPG sets			3104 317 00860		No	VGA integrated in this version (option switch), new OSD behaviour at program change, for Widescreen sets the Autoformat can be switched off by the customer and the Dolby initialisation problem is solved.	V_3104 317 01030	4822 900 11102
MD22xE	Non EPG sets			3104 317 01030		No	See table 2	V_3104 317 01680	4822 900 11102

Software survey

SOFTWARE SURVEY

CHASSIS	FAMILY	PRODUCTION CODE	UP TYPE/VERSION	IDBENT	SERVICE CODE	HOTEL MODE ?	REMARKS TYPICAL FOR THIS SOFTWARE	REPLACED BY SERVICE CODE
MD2.2xE	Non EPG sets	Not used in production		3104.317.01680	4822.900.11102	No		
MD2.2xE	for -f58 sets	Week 9710 and higher		3104.317.00950	-	No		4822.900.11066
MD2.2xE	for -f58 sets	Week 9718 and higher		SWINT1638/01	-	No	Only used in some 29PT9113/58 sets	4822.900.11066
MD2.2xE	for -f58 sets	Week 9719 and higher		3104.317.00680	-	No		4822.900.11066
MD2.2xE	for -f58 sets	Week 9728 and higher		3104.317.00760	-	No		4822.900.11066
MD2.2xE	for -f58 sets	Week 9737 and higher		3104.317.00870	-	No	VGA integrated in this version (option switch), new OSD behaviour at program change, for Widescreen sets the Autoformat can be switched off by the customer, the Dolby initialisation problem is solved and recognition of TOP TXT menu for Poland.	4822.900.11066
MD2.2xE	for -f58 sets	Not used in production		3104.317.01040	-	No	See table 2	4822.900.11066
MD2.2xE	for -f58 sets	Not used in production		3104.317.01680	4822.900.11066	No		
MD2.2xE	EPG sets	Week 9715 and higher		SWINT2021.01	-	No	Only used for pilot production of 32PW9713	4822.900.11068
MD2.2xE	EPG sets	Week 9715 and higher		SWINT1022/01	-	No	Used for production start of 32PW9713	4822.900.11068
MD2.2xE	EPG sets	Week 9715 and higher		SWINT0732/01	-	No	Protection problem with French and Greek reminder messages solved.	4822.900.11068
MD2.2xE	EPG sets	Week 9717 and higher		SWINT0149/01	-	No	Startup problem with corrupted flashram solved and picture width solution for Text-DualScreen	4822.900.11068
MD2.2xE	EPG sets	Week 9724 and higher		3104.317.00710	-	No		4822.900.11068
MD2.2xE	EPG sets	Week 9724 and higher		3104.317.00740	-	No	Only used in 32PW9763	4822.900.11068
MD2.2xE	EPG sets	Week 9727 and higher		3104.317.00750	-	No		4822.900.11068
MD2.2xE	EPG sets	Week 9737 and higher		3104.317.00880	-	No	Only used in VGA sets; spontaneous standby while watching EPG is solved.	4822.900.11068
MD2.2xE	EPG sets	Week 9737 and higher		3104.317.00890	-	No	VGA integrated in this version (option switch), new OSD behaviour at program change, for Widescreen sets the Autoformat can be switched off by the customer and the Dolby initialisation problem is solved.	4822.900.11068
MD2.2xE	EPG sets	Week 9737 and higher		3104.317.00890	-	No		4822.900.11068
MD2.2xE	EPG sets	Week 9747 and higher		3104.317.00850	-	No	See table 1	4822.900.11068
MD2.2xE	EPG sets	Week 9804 and higher		3104.317.01050	-	No	Improved EPG performance, Dolby initialisation problem solved.	4822.900.11068
MD2.2xE	EPG sets	Not used in production		3104.317.01020	-	No	See table 2	4822.900.11068
MD2.2xE	EPG sets	Not used in production		3104.317.01670	4822.900.11058	No		
MD2.25E	Non EPG sets	Start production		3104.317.01030	-	No	See table 2	4822.900.11279
MD2.25E	Non EPG sets	Week 9828 and higher		3104.317.01240	-	No	See table 3	4822.900.11102
MD2.25E	Non EPG sets	Week 99.. and higher.		3104.317.01680	4822.900.11102	No		
MD2.25E	for -f58 sets	Start production		3104.317.01040	4822.900.11281	No	See table 2	4822.900.11281
MD2.25E	for -f58 sets	Week 9828 and higher		4822.900.11281	No	No	See table 3	4822.900.11066
MD2.25E	for -f58 sets	Week 99.. and higher.		3104.317.01680	4822.900.11066	No		
MD2.25E	EPG sets	Start production		3104.317.01020	4822.900.11278	No	See table 2	4822.900.11278
MD2.25E	EPG sets	Not used in production		3104.317.01230	4822.900.11278	No	See table 3	4822.900.11278
MD2.25E	EPG sets	Week 9828 and higher		3104.317.01360	4822.900.11278	No		4822.900.11058
MD2.25E	EPG sets	Week 99.. and higher		3104.317.01670	4822.900.11058	No		
MG2.1E	CL.4	Start production		MG11E11.0_02101	3104.317.42101	No		3104.317.42201
MG2.1E		Start production		MG21E11.0_01471	-	No		4822.900.11275
MG2.1E	Week 9839 and higher	Week 9839 and higher		MG21E11.0_01501	-	No	M6 problem solved, panelist problem solved, secam correction with VCR introduced, service stepwise control, seconds problem in clock extraction solved	4822.900.11275
MG2.1E	CL.1	Week 9844 and higher		MG21E11.0_01561	-	No	See table 4	4822.900.11275
MG2.1E	CL.1	Week 9851 and higher		MG21E11.3_01611	-	No	See table 5	4822.900.11275
MG2.1E	CL.1	Week 9915 and higher		MG21E11.5_01861	-	No	See table 6	4822.900.11275
MG2.1E	CL.1	Week 9915 and higher		MG21E11.7_01941	4822.900.11275	No	Stereo detection problem and blocking of teletext on some transmitters solved	4822.900.11275
MG2.1E	CL.1	Week 9950 and higher, only for service		MG21E11.8_02191	4822.900.11275	No		
MG2.1E	CL.1 China	Start production		MG21A11.1_01571	4822.900.11324	No	Only for 29DS10093	
MG2.1E	CL.2A	Start production		MG21E11.0_01591	4822.900.11326	No		4822.900.11326
MG2.1E	CL.2A	Week 9913 and higher		MG21E12.0_01821	4822.900.11326	No		4822.900.11326
MG2.1E	CL.2A	Week 9914 and higher		MG21E12.2_01851	4822.900.11326	No		4822.900.11326
MG2.1E	CL.2A	Week 9915 and higher		MG21E12.3_01871	4822.900.11326	No	Solution for EPG standby	4822.900.11326
MG2.1E	CL.2A	Week 9920 and higher		MG21E12.3_01931	4822.900.11326	No	Solution for loud volume at startup, noise (together with FBX 01911, TXT acquisition, stereo detection)	4822.900.11326
MG2.1E	CL.2A	Week 9922 and higher		MG21E12.4_01961	4822.900.11326	No	Solved: blocking of teletext on some transmitters	4822.900.11326
MG2.1E	CL.2A	Week 9950 and higher		MG21E12.5_02181	4822.900.11326	No		
MG2.1E	FBX CL.1+2A	Start production		R3.5V1B (01751)	-	No		4822.900.11276
MG2.1E	FBX CL.1+2A	Week 9912 and higher		R3.6V1B (01791)	-	No		4822.900.11276
MG2.1E	FBX CL.1+2A	Week 9914 and higher		R3.8V1B (01831)	-	No		4822.900.11276
MG2.1E	FBX CL.1+2A	Week 9915 and higher		R3.10V1B (01881)	-	No		4822.900.11276
MG2.1E	FBX CL.1+2A	Week 9920 and higher		R3.12V1B (01911)	-	No	Horizontal shift problem solved	4822.900.11276

Software survey

SOFTWARE SURVEY

CHASSIS	FAMILY	PRODUCTION CODE	UP TYPEVERSION	IDENT	SERVICE CODE	HOTEL MODE ?	REMARKS TYPICAL FOR THIS SOFTWARE	IDENT	REPLACED BY
MG2.1E		AG10 and higher		MG21E13.0_01981	3104 317 41981	No	Production start	MG21E13.1_02081	3104 317 02081
MG2.1E	CL1+2A	AG10 and higher, week 9941 and higher		MG21E13.1_02081	3104 317 02081	No	HOP NGC compatible. EPG improvement. Mute on headphone with blue mute when starting up on radio, no automatic subpage is solved, no subtitle when going out of TXT is solved	MG21E13.2_02171	3104 317 42171
MG2.1E	CL1+2A	AG10 and higher, week 9947 and higher		MG21E13.2_02171	3104 317 42171	No			
MG2.1E	FBX CL1+2A	FBX: AG10 and higher		R3_13V2A (01920)	3104 317 41921	No			
MG2.1E	FBX CL1+2A	FBX: AG10 and higher		R3_15V2A (02130)	3104 317 02131	No			
MG3.1E	CL2B	Start production		MG31E11.0_01981	3104 317 41981	No		MG31E11.1_02031	3104 317 02031
MG3.1E	CL2B	Week 9935 and higher		MG31E11.1_02031	3104 317 02031	No	Contrast adjusted with active control, active control has now: off, min, med, max. Austria is selectable in the 'country' menu, PIP solution.	MG31E11.2_02041	3104 317 42041
MG3.1E	CL2B France	Only France: Week 9938 and higher		MG31E11.2_02041	3104 317 42041	No	Secam Notch-interface to FBX (only in -r19 and -r58, only used in 4/3 sets.		
MG3.1E	CL2B	Week 9935 and higher		MG31E11.3_02081	3104 317 42081	No	Only used in non RF 1609 sets. When used in 4/3 sets the PIP picture with PAL signal will be grey		
MG3.1E	CL2B	Week 9946 and higher		MG31E11.4_02141	3104 317 42141	No	Shift of TXT in '36" is solved		
MG3.1A	CL5B	Start production		MG31A11.0_02061	3104 317 42061	No	Not used in production	MG31E11.1_02111	3104 317 42111
MG3.1A	CL5B	Week 9941 and higher		MG31A11.1_02111	3104 317 42111	No	Used in production for -r57/69/93	MG31E11.2_02121	3104 317 42121
MG3.1A	CL5B	Week 9943 and higher		MG31A11.2_02121	3104 317 42121	No	TXT problem solved, can be used in all sets	MG31E11.3_02151	3104 317 42151
MG3.1A	CL5B	Week 9947 and higher		MG31A11.3_02151	3104 317 42151	No	Flashing when LNA switched off is solved, power picture can be stored, translations corrected, plpogs are solved		
MG3.1E/A	FBX: CL2B	Start production		R4_1 (01970)	3104 317 41971	No			3104 317 42001
MG3.1E/A	FBX	Week 9927 and higher		R4_2 (02000)	3104 317 42001	No			3104 317 02010
MG3.1E/A	FBX	Week 9929 and higher		R4_3 (02010)	3104 317 02011	No			3104 317 02070
MG3.1E/A	FBX France	Only France: Wk 9938 and higher		R4_4 (02050)	3104 317 42051	No			
MG3.1E/A	FBX	Week 9940 and higher		R4_5 (02070)	3104 317 42071	No			
MG5.1E	CL2A	Start production			3135 015 15441	No			
FTV1.9DE	Monitor +YC panel	From week 9948		F19DE12.0_00063	3122 357 40043	No	MUP Panel position 3018 - .2 version	N.A.	N.A.
FTV1.9DE	Monitor +YC panel	From week 9948		EARM_00053	3122 357 40052	No	A/V Control position 7400 - AG02 code	N.A.	N.A.
FTV1.9DE	Monitor +YC panel	From week 9948		F19DW2.0_00074	3122 357 40024	No	PDP-Limesco position 7357 - AG02 code	N.A.	N.A.
FTV1.9DE	Monitor	From week 9922		F19DE11.0_00061	3122 357 40041	No	MUP Panel position 3018	F19DW2.0_00074	3122 357 40042
FTV1.9DE	Monitor	From week 9935		F19DE11.1_00062	3122 357 40062	No	MUP Panel position 3018 - .1 version	N.A.	N.A.
FTV1.9DE	Monitor	From week 9935		EARM_00052	3122 357 40051	No	A/V Control position 7400	N.A.	N.A.
FTV1.9DE	Monitor	From week 9935		F19DW1.0_00071	3122 357 40021	No	PDP-Limesco position 7357	F19DW1.1_00072	3122 357 40022
FTV1.9DE	Monitor	From week 9935		F19DW1.1_00072	3122 357 40022	No	PDP-Limesco position 7357	N.A.	N.A.
FTV1.9EE	E-Box	From week 9935		F19EE11.0_00051	3122 357 40031	No	SSP position 7202 - FTV1.5 version	F19EE11.0_00052	3122 357 40032
FTV1.9EE	E-Box	From week 9948		F19EE11.0_00052	3122 357 40032	No	SSP position 7202	F19EE11.0_00053	3122 357 40033
FTV1.9EE	E-Box	From week 9922		F19EE11.0_00053	3122 357 40033	No	SSP position 7202	N.A.	N.A.
FTV1.9EE	E-Box	From week 9922		9322 126 62882		No	SSP position 7212 "empty" - loaded automatically with defaults		
FTV1.9EE	E-Box	From week 9935		3104 317 01211		No	Featurebox 4 position 7505 - software 12-nc together with OTP	N.A.	N.A.

Software survey

Tabel 1

Version	Remarks
3104 317 00850	<ul style="list-style-type: none"> - Improved EPG performance <ul style="list-style-type: none"> • Improved acquisition: new acquisition filter (low and high level). Consequence: max. EPG standby time increased to 1 hour • Acquisition start in EPG standby even if no date/time available on local broadcasters • MIP and BI processing done • Improved speed of display update (theme guide) • Message added: 'Programme information can not be displayed on this preset. Select on other preset' (all languages) • Improved reminder start-up: also after power failure in standby

Tabel 2

Version	Remarks
3104 317 01020	- New Auto TV parameters / user Sharpness control improved
3104 317 01030	- New 864 Dolby module added to software
3104 317 01040	<ul style="list-style-type: none"> - Menu colours / layout changed OSD size reduction (no more icons) - Adopted for the MID2.25 stick remote control RC2000 - Permanent OSD is permanent again: only number! - Bayern Text problem solved - DVD in stead of CDi in the menus - Store PP is moved to Set-up menu; features menu contains now a new item: "Recall Pers. Prefs." - The EasyLink record button now has a 'toggle' function: EasyLink Record and EasyLink Stop. As a consequence, in exceptional situations, sometimes the user has to press this button twice. - 433 cordless Dolby: no Dolby transmission for preset at 359MHz - 1mW or 10mW cordless transmitter selected depending country-choice in menus

Tabel 3

Version	Remarks
3104 317 01240	- P50 standby problem is solved (PR 1679,1764)
3104 317 01250	- Polish Clock problem before 10:00 AM is solved.
3104 317 01360	<ul style="list-style-type: none"> - Problem with 'WideScreen' aspect-ratio after textDualScreen is solved. - Blanking time when zapping between presets is changed is 3 grades: much shorter for 4:3 TVs, not altered for PAL+ TVs, shorter for the remaining (16:9) types. - A short blanking is introduced when zapping the primary image in Video Dual Screen mode. - East Europe translation problems (inconsistency with manuals) solved. - Mosaic menu line invisible on NTSC image solved. - Entering VGA picture menu with OK button. - 'CDI' in customer service menu 2 added. - Picture performance for DVD is improved: DVD settings work for CVBS, Y/C, and RGB. Changed: Dynamic contrast, Sharpness, Contrast, ANR, Auto TV parameters (CR ER 493, 613). In the set-up menu, the DVD item is altered: the DVD (or other 'Digital Sources') can now be connected to EXT1, 2, 3, or FRONT (used to be only EXT1). The improved picture performance settings will work on the selected connection. - The 'Soft' smart picture mode is altered to give the best possible picture performance for bad quality MPEG signals. - The "information line" item in the set-up menu, is now also functional in permanent OSD mode. - The picture performance of text-dual screen is improved by selecting another font, and shifting the text area a bit away from the picture tube edge. <p>Due to a problem with the set-type determination, this software can not be used in TVs for which the option bit for Smartic is not set, i.e. TVs that do not have the Smartic hardware (Dynamic Contrast). This makes this software unusable as a service-solution for a lot of MID2.2 TVs. All the MID2.25 TV sets do have the Smartic, so this software can be used for MID2.25. The phenomenon in a TV with the Smartic option bit cleared: The screen comes up very dark when switching ON the TV. Pressing the "PP restore" button restores the light-output. After a preset change, the screen is dark again. Pressing "PP restore" restores light.</p>

Software survey

Tabel 4

Version	Remarks
MG2.1E11.0_01561	- Subtitle via sub-code gets blocked, solved now

	<ul style="list-style-type: none"> - Correctness of clock. Clock accuracy is optimised (deviation 6 sec during 24 hours) - OSD clock update is stumbling. Clock is updated every 0.5 sec now. No further optimisation possible without a serious architecture change. - ACI optimisation , 5 min hang-up during scrambled signals is optimised to 1.5 min - ACI problems in The Netherlands. Sometimes the region table was skipped. The region selection table is always shown now, so the customer needs to select. - ACI problem with Tables on TOP-pages is NOT solved. Broadcaster needs adaptation; TOP table usage is not allowed. - TOP overview corruption of left table is SOLVED - TXT level 2.5 side band colours during vertical expansion; SOLVED - Subtitle skipping of text. This is optimised now - Sound after 4 min EPG-standby. Set doesn't free-up the sound anymore. - EPG sleep timer 2 hours. Set goes into st-by after a reminder wake-up without RC5/RC6 interaction. - EPG reminder wake-up. Sometimes the set doesn't wake-up. Depending on the quality of packet 8/30 wake-ups can go wrong. - Habit watch was not in. Functionality is available now - Next view on M6. Sometimes the TV selects TXT-guide ISO Next View. This is according to spec. Detecting EPG can take max. 2 minutes - Vg2 acknowledge for factory purposes - Hang-up problem; NVM-dump for prod needed for further analyses on hang-ups. - Exception handling to optimise the hang-up behaviour. This has no influence for the customer. - Dealer option store PR is solved
--	---



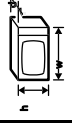
























































Tabel 5

Version	Remarks
MG2.1E11.3_01611	<ul style="list-style-type: none"> - HOP hardware problem, horizontal jitter. Switch to fast PLL for the N1 HOP version is implemented. - HIP hardware problem, SECAM recognition. The temporarily loss of colour and sync of SECAM signal via SCART is solved. - WSS problem. WSS recognition is disturbed due to a changed spec of MacroVision-protection. The unreliability behaviour of the WSS algorithm is solved. The change only influences the behaviour on SCART. - Slow Status recognition on SCART. The different behaviour of rising and falling edges on the SCART connector is now consistent. This solves strange switching between 4/3 and 16/9 format - OSD text changes for EPG-France; "une fo" becomes "1 fois" and "Journe" becomes "Jour" - OSD text changes in Polish language; "Glosnosc" (Not correctly displayed due to keyboard limitations) and "Wybierz jezuk" (idem) - Canal+ - M6 EPG problem. When selecting EPG on Canal+, the set switches in the background to M6, which makes the M6 sound available. Switching back to TV-mode makes the set to tune to Canal+ again. MIP page transmission was not possible with the previous SW version. A patch in the Soton SW solves this problem. Now, when selecting EPG on Canal+ no background tuning will happen. ATTENTION: The first time you access EPG transmitted through MIP pages (exp.: Canal+) you need to be tuned during 4 minutes on this channel. This time is required to give the application time to capture the MIP page and store it in NVM. - ACI Veldhoven problem. Cable Distribution company in Veldhoven (the Netherlands) is using transmission pages, which are reserved for TOP table transmission. This is not a common use, but it is allowed according to spec. In this SW version the TOP acquisition is switched OFF during ACI installation, which solves this problem

Model number survey

MODEL	STYLING	CHASSIS	RC	SYSTEM P.-PAL S.-SECAM N.-NTSC	SOUND	SIZE wxhxd (cm)	VOLT RANGE	TUNER	OPTION CODES						
									1	2	3	4	5	6	7
14PT1324/00	197a	L9.2E AA	RC282601/01	P-BG	NICAM, 2CS	50x47x46	100 - 250V	VHF/UHF UV1316/A 1-2	1	2	3	4	5	6	7
14PT1354/58	197a	L9.2E AA	RC282601/01	P-BGDK, S-BGDK	NICAM, 2CS	50x47x46	100 - 250V	VHF/UHF UV1316/A 1-2	See sticker in set						
14PT1363/01B	158	L6.1 AA	RC8213/01	P-BG, S-BGLL'	MONO	36x35x37	220V	UV915E/IEC							
14PT1363/01C	158	L6.1 AA	RC8213/01	P-BG, S-BGLL'	MONO	36x35x37	220V	UV915E/IEC							
14PT1363/01S	158	L6.1 AA	RC8213/01	P-BG, S-BGLL'	MONO	36x35x37	220V	UV915E/IEC							
14PT1363/01V	158	L6.1 AA	RC8213/01	P-BG, S-BGLL'	MONO	36x35x37	220V	UV915E/IEC							
14PT1363/01X	158	L6.1 AA	RC8213/01	P-BG, S-BGLL'	MONO	36x35x37	220V	UV915E/IEC							
14PT1363/01Z	158	L6.1 AA	RC8213/01	P-BG, S-BGLL'	MONO	36x35x37	220V	UV915E/IEC							
14PT1363/58B	158	L6.1 AA	RC8215/01	P-BGDK, S-BGDK	MONO	39x35x37	220V	UV915E/AMK3							
14PT1363/58C	158	L6.1 AA	RC8215/01	P-BGDK, S-BGDK	MONO	39x35x37	220V	UV915E/AMK3							
14PT1374/01B	159	L6.1 AA	RC8215/01	P-BG, S-BGLL'	MONO	38x38x38	220V	UV915E/IEC							
14PT1374/01C	159	L6.1 AA	RC8215/01	P-BG, S-BGLL'	MONO	38x38x38	220V	UV915E/IEC							
14PT1374/01G	159	L6.1 AA	RC8215/01	P-BG, S-BGLL'	MONO	38x38x38	220V	UV915E/IEC							
14PT1374/01P	159	L6.1 AA	RC8215/01	P-BG, S-BGLL'	MONO	38x38x38	220V	UV915E/IEC							
14PT1374/01S	159	L6.1 AA	RC8215/01	P-BG, S-BGLL'	MONO	38x38x38	220V	UV915E/IEC							
14PT1374/01V	159	L6.1 AA	RC8215/01	P-BG, S-BGLL'	MONO	38x38x38	220V	UV915E/IEC							
14PT1374/01X	159	L6.1 AA	RC8215/01	P-BG, S-BGLL'	MONO	38x38x38	220V	UV915E/IEC							
14PT1374/01Y	159	L6.1 AA	RC8215/01	P-BG, S-BGLL'	MONO	38x38x38	220V	UV915E/IEC							
14PT1374/01Z	159	L6.1 AA	RC8215/01	P-BG, S-BGLL'	MONO	38x38x38	220V	UV915E/IEC							
14PT1374/43B	159	L6.1 AA	RC8215/01	P-BG, S-BGLL'	MONO	38x38x38	220V	UV915E/AMK3							
14PT1374/43S	159	L6.1 AA	RC8215/01	P-BG, S-BGLL'	MONO	38x38x38	220V	UV915E/AMK3							
14PT1374/58B	159	L6.1 AA	RC8215/01	P-BG, S-BGLL'	MONO	38x38x38	220V	UV915E/AMK3							
14PT1374/58S	159	L6.1 AA	RC8215/01	P-BG, S-BGLL'	MONO	38x38x38	220V	UV915E/AMK3							
14PT1482/58R	197	L7.1A AA	RC 0770	P-BGDK, S-BGDK(K1),N-M	MONO	37x35x38	150-276V	UV1355S/I							
14PT1482/67R	197	L7.1A AA	RC 0770	P-BGDK, S-BGDK(K1),N-M	MONO	37x35x38	150-276V	UV1355S/I							
14PT1542/00	239	L6.1 AA	RC8205	P-BG	MONO	36x35x37	220V	UV915E/AMK3							
14PT1542/05	239	L6.1 AA	RC8205	P-BG	MONO	36x35x37	220V	UV915E/AMK3							
14PT1552/58	39	L6.1 AA	RC8205	P-BG, S-DK	MONO	37x38x37	220V	UV915E/AMK3							
14PT1563/05B	158	L6.1 AA	RC8213/01	P-I	MONO	36x35x37	220V	U943C/IEC							
14PT1563/05C	158	L6.1 AA	RC8213/01	P-I	MONO	36x35x37	220V	U943C/IEC							
14PT1563/05G	158	L6.1 AA	RC8213/01	P-I	MONO	36x35x37	220V	U943C/IEC							
14PT1563/05V	158	L6.1 AA	RC8213/01	P-I	MONO	36x35x37	220V	U943C/IEC							
14PT1563/07B	158	L6.1 AA	RC8215/01	P-I	MONO	39x35x37	220V	UV915E/AMK3							
14PT1563/07S	158	L6.1 AA	RC8215/01	P-I	MONO	39x35x37	220V	UV915E/AMK3							
14PT1574/00B	159	L6.1 AA	RC8215/01	P-BG	MONO	38x38x38	220V	UV915E/AMK3							
14PT1574/00C	159	L6.1 AA	RC8215/01	P-BG	MONO	38x38x38	220V	UV915E/AMK3							
14PT1574/00P	159	L6.1 AA	RC8215/01	P-BG	MONO	38x38x38	220V	UV915E/AMK3							
14PT1574/00S	159	L6.1 AA	RC8215/01	P-BG	MONO	38x38x38	220V	UV915E/AMK3							
14PT1574/00X	159	L6.1 AA	RC8215/01	P-BG	MONO	38x38x38	220V	UV915E/AMK3							
14PT1574/00Y	159	L6.1 AA	RC8215/01	P-BG	MONO	38x38x38	220V	UV915E/AMK3							
14PT1574/00Z	159	L6.1 AA	RC8215/01	P-BG	MONO	38x38x38	220V	UV915E/AMK3							
14PT1574/01B	159	L6.1 AA	RC8215/01	P-BG	MONO	38x38x38	220V	UV915E/AMK3							
14PT1574/01C	159	L6.1 AA	RC8215/01	P-BG	MONO	38x38x38	220V	UV915E/AMK3							
14PT1574/01G	159	L6.1 AA	RC8215/01	P-BG	MONO	38x38x38	220V	UV915E/AMK3							
14PT1574/01S	159	L6.1 AA	RC8215/01	P-BG	MONO	38x38x38	220V	UV915E/AMK3							
14PT1574/01V	159	L6.1 AA	RC8215/01	P-BG	MONO	38x38x38	220V	UV915E/AMK3							
14PT1574/01Z	159	L6.1 AA	RC8215/01	P-BG	MONO	38x38x38	220V	UV915E/AMK3							
14PT1582/57T	197	L9.2A AA	RC283501/01	P-DK1	MONO	36x36x37	220V	UV915E/AMK3	232	195	135	99	186	4	130
14PT1582/59C	197	L9.2A AA	RC283501/01	P - BGDK, S - BGDK (K1)	MONO	36x36x37	100 - 250V	VHF/UHF UV1316/A 1-2	232	195	135	99	186	4	68
14PT1582/59T	197	L9.2A AA	RC283501/01	P - BGDK, S - BGDK (K1)	MONO	36x36x37	100 - 250V	VHF/UHF UV1316/A 1-2	232	195	135	99	186	4	68
14PT1582/59V	197	L9.2A AA	RC283501/01	P - BGDK, S - BGDK (K1)	MONO	36x36x37	100 - 250V	VHF/UHF UV1316/A 1-2	224	195	135	99	186	4	68
14PT1582/59W	197	L9.2A AA	RC283501/01	P - BGDK, S - BGDK (K1)	MONO	36x36x37	100 - 250V	VHF/UHF UV1316/A 1-2	224	195	135	99	186	4	68
14PT1582/67R	197	L9.2A AA	RC283501/01	P-BG1	MONO	36x36x37	100 - 250V	VHF/UHF UV1316/A 1-2	232	195	135	99	186	4	2
14PT1582/71R	197	L9.2A AA	RC282903/01	N - M	MONO	36x36x37	100 - 250V	TUV TV V-U PLL F TEDH9	224	195	135	231	186	4	192
14PT1582/73T	197	L9.2A AA	RC283501/01	P-BG1	MONO	36x36x37	100 - 250V	VHF/UHF UV1316/A 1-2	224	195	135	99	186	4	2

Model number survey

MODEL	STYLING	CHASSIS	RC	SYSTEM	SOUND			SIZE		VOLT RANGE		TUNER	OPTION CODES	3	4	5	6	7	
				P.-PAL S.-SECAM N.-NTSC				wxhxd (cm)					1	2					
14PT1582/75T	197	L9.2AA	RC283501/01	P-DKI	MONO			36x36x37		100 - 250V		VHF/UHF UV1316/A I-2	224	67	135	186	4	2	
14PT1782/94R	197	L9.2AA	RC283501/01	P-BG	MONO			36x36x37		100 - 250V		VHF/UHF UV1316/A I-2	234	195	135	186	4	0	
14PT1782/94R	150	L9.2AA	RC283501/01	P-BG	MONO			36x36x37		100 - 250V		VHF/UHF UV1316/A I-2	234	195	135	186	4	0	
14PT214B/77B	158	L9.2AA	RC282902/01	N-M	MONO			36x36x37		100 - 250V		TUV TV V+U PLL IEC MN	236	227	134	237	26	194	
14PT2694/01B	150	L6.1AA	RC821/301	P-BG	MONO			36x35x37		220V		UV915E/IEC							
14PT2694/01	158	L6.1AA	RC821/301	P-BG	MONO			36x35x37		220V		UV915E/IEC							
14PT2694/05B	158	L6.1AA	RC821/301	P-I	MONO			36x35x37		220V		U943C/IEC							
14PT2694/05I	158	L6.1AA	RC821/301	P-I	MONO			36x35x37		220V		U943C/IEC							
14PT314A/77B	197	L9.2AA	RC282902/01	N-M	MONO			36x36x37		100 - 250V		TUV TV V+U PLL IEC MN	236	227	134	237	26	194	
14PT314B/77B	197	L9.2AA	RC282902/01	N-M	MONO			36x36x37		100 - 250V		TUV TV V+U PLL IEC MN	228	227	134	237	26	194	
14PT3722/59A	218	L9.2AA	RC283501/01	P-BGDK, S-BGDK (K1)	MONO			45x35x38		100 - 250V		VHF/UHF UV1316/A I-2	224	195	135	186	4	68	
14PT3722/59B	218	L9.2AA	RC283501/01	P-BGDK, S-BGDK (K1)	MONO			45x35x38		100 - 250V		VHF/UHF UV1316/A I-2	224	195	135	186	4	68	
14PT3722/59C	218	L9.2AA	RC283501/01	P-BGDK, S-BGDK (K1)	MONO			45x35x38		100 - 250V		VHF/UHF UV1316/A I-2	224	195	135	186	4	68	
14PT3722/59D	218	L9.2AA	RC283501/01	P-BGDK, S-BGDK (K1)	MONO			45x35x38		100 - 250V		VHF/UHF UV1316/A I-2	224	195	135	186	4	68	
14PT3782/71R	218	L9.2AA	RC282903/01	N-M	MONO			45x35x38		100 - 250V		TUV TV V+U PLL F TEDH9	224	195	135	231	186	4	192
14PT3782/74R	218	L9.2AA	RC283501/01	P-BGDK, S-BGDK (K1)	MONO			45x35x38		100 - 250V		VHF/UHF UV1316/A I-2	224	195	135	186	4	68	
14PT3782/94R	218	L9.2AA	RC283501/01	P-BG	MONO			45x35x38		100 - 250V		VHF/UHF UV1316/A I-2	232	195	135	186	4	0	
14PT3822/56A	218	L9.2AA	RC283501/01	P-BGDKI, S-BGDK(K1), N-M	NICAM1/2CS			45x35x38		100 - 250V		VHF/UHF UV1316/A I-2	224	195	135	115	186	19	
14PT3822/57R	218	L9.2AA	RC283501/01	P-BGDKI, S-BGDK(K1), N-M	NICAM2CS			45x35x38		100 - 250V		VHF/UHF UV1316/A I-2	224	195	135	115	186	206	
14PT3822/68R	218	L9.2AA	RC283501/01	P-BGDKI, S-BGDK(K1), N-M	NICAM2CS			45x35x38		100 - 250V		VHF/UHF UV1316/A I-2	224	195	135	115	186	206	
14PT3822/69R	218	L9.2AA	RC283501/01	P-BGDKI, S-BGDK(K1), N-M	NICAM2CS			45x35x38		100 - 250V		VHF/UHF UV1316/A I-2	224	195	135	115	186	206	
14PT3862/57R	231	L9.3AA	RC2532/01	P-BGDKI, S-BGDK(K1), N-M	NICAM1/2CS			45x35x38		100 - 250V		VHF/UHF UV1316/A I-2	224	195	135	115	186	19	
14PT3862/69R	231	L9.3AA	RC2532/01	P-BGDKI, S-BGDK(K1), N-M	NICAM1/2CS			45x35x38		100 - 250V		VHF/UHF UV1316/A I-2	224	195	135	115	186	19	
14PT3862/75R	231	L9.3AA	RC2532/01	P-BGDKI, S-BGDK(K1), N-M	NICAM2CS			45x35x38		100 - 250V		VHF/UHF UV1316/A I-2	224	195	135	115	186	19	
14PT3862/79R	231	L9.3AA	RC2532/01	P-BGDKI, S-BGDK(K1), N-M	NICAM2CS			45x35x38		100 - 250V		VHF/UHF UV1316/A I-2	224	195	135	115	186	19	
14PT414A/77B	218	L9.2AA	RC282902/01	N-M	MONO			36x36x37		100 - 250V		VHF/UHF UV1316/A I-2	236	227	134	237	26	194	
14PT514A/77B	218	L9.2AA	RCL9BC	P-NM, N-M	BTSC			36x36x37		100 - 250V		TUV TV V+U PLL IEC MN	236	227	134	237	26	203	
14RA01/05	197a	L9.2AA	RC282401/01	P-I	MONO			50x47x46		170V - 242V		UV1316/A I/2	224	0	195	105	186	19	
14TA01/05	197a	L9.2AA	RCL9ED	P-I	MONO			50x47x46		170V - 242V		UV1316/A I/2	224	0	195	105	186	64	
17PT1564/00	221	L9.2AA	RC2525/01	P-BG	MONO			42x38x40		170V - 242V		UV1316/A I/2	232	251	197	97	186	16	
17PT1564/01	221	L9.2AA	RC2525/01	P-BGI, S-BGL, L1	MONO			42x38x40		170V - 242V		UV1316/A I/2	232	251	197	97	186	16	
17PT1564/05	221	L9.2AA	RC2525/01	P-I	MONO			42x38x40		170V - 242V		UV1316/A I/2	232	251	197	97	186	65	
17PT1564/58	221	L9.2AA	RC2525/01	P-BGDK, S-BGDK	MONO			42x38x40		170V - 242V		UV1316/A I/2	232	251	197	97	186	66	
20HT1582/59Z	197	L9.2AA	RC283501/01	P-BGDK, SECAM	MONO			50x46x47		90 - 276		VHF/UHF UV1316/A I-2	0	224	4	80	59	16	
20HT1582/67Z	197	L9.2AA	RC283501/01	P-BGH	MONO			50x46x47		90 - 276		VHF/UHF UV1316/A I-2	0	96	4	80	59	1	
20HT1582/68Z	241	L9.2AA	RC283501/01	P-BGDK, S-BGDKK1, N (3.58-5.5, 3.5)	MONO			50x46x47		90 - 276V		VHF/UHF UV1316/A I-2	0	96	4	209	59	192	
20HT1582/71Z	197	L9.2AA	RC282903/01	N-M	MONO			50x46x47		90 - 276V		VHF/UHF UV1316/A I-2	0	224	4	80	59	1	
20HT1582/75Z	197	L9.2AA	RC283501/01	P-BGH	MONO			50x46x47		150 - 276		VHF/UHF UV1316/A I-2	0	96	4	209	59	192	
20PT1354/58	197a	L7.1AA	RC 0770	P-BGDK, S-BGDK	NICAM1, 2CS			50x47x46		100 - 250V		VHF/UHF UV1316/A I-2	See sticker in set	224	4	80	59	1	
20PT148A/77B	197	L7.1AA	RC 0736	P-NM, N-M	MONO			58x55x56		90-276V		UV1336B/I	See sticker in set						
20PT1554/58	197a	L9.2AA	RC2525/01	P-BGDK, S-BGDK	NICAM1, 2CS			50x47x46		100 - 250V		VHF/UHF UV1316/A I-2	See sticker in set						
20PT1582/59A	197	L9.2AA	RC283501/01	P-BGDK, S-BGDK (K1)	MONO			50x46x47		100 - 250V		VHF/UHF UV1316/A I-2	232	195	135	186	4	68	
20PT1582/59B	197	L9.2AA	RC283501/01	P-BGDK, S-BGDK (K1)	MONO			50x46x47		100 - 250V		VHF/UHF UV1316/A I-2	232	195	135	186	4	68	
20PT1582/59C	197	L9.2AA	RC283501/01	P-BGDK, S-BGDK (K1)	MONO			50x46x47		100 - 250V		VHF/UHF UV1316/A I-2	232	195	135	186	4	68	
20PT1582/59D	197	L9.2AA	RC283501/01	P-BGDK, S-BGDK (K1)	MONO			50x46x47		100 - 250V		VHF/UHF UV1316/A I-2	232	195	135	186	4	68	
20PT1582/67R	197	L9.2AA	RC283501/01	P-BG	MONO			50x46x47		100 - 250V		VHF/UHF UV1316/A I-2	224	195	135	186	4	0	
20PT1582/71R	197	L9.2AA	RC282903/01	N-M	MONO			50x46x47		100 - 250V		TUV TV V+U PLL F TEDH9	232	195	135	231	186	4	192
20PT1582/73R	197	L9.2AA	RC283501/01	P-BGI	MONO			50x46x47		100 - 250V		VHF/UHF UV1316/A I-2	232	195	135	186	4	2	
20PT1582/75R	156	L9.2AA	RC283501/01	P-BG	MONO			50x46x47		100 - 250V		VHF/UHF UV1316/A I-2	232	195	135	186	4	0	
20PT1782/94R	150	L9.2AA	RC283501/01	P-BG	MONO			50x46x47		100 - 250V		VHF/UHF UV1316/A I-2	232	195	135	186	4	0	
20PT224B/77B	150	L9.2AA	RC282902/01	N-M	MONO			59x46x48		100 - 250V		TUV TV V+U PLL IEC MN	236	227	134	237	26	194	
20PT2682/77B	156	L7.2AA	RC 0771	P-NM, N-M	BTSC			52x47x49		90-276V		UV1336B/I	See sticker in set						
20PT2782/59E	218	L7.1AA	RC 0770	P-BGDK, S-BGDK(K1), N-M	MONO			59x55x54		160-250V		UV1355S/I	See sticker in set						
20PT2782/94R	218	L7.2AA	RC 0770	P-BG	MONO			59x55x54		160-250V		UV1355S/I	See sticker in set						
20PT2822/77B	156	L7.2AA	RC 0768	P-NM, N-M	BTSC			52x47x49		90-276V		UV1336B/I	See sticker in set						

Model number survey

MODEL	STYLING	CHASSIS	RC	SYSTEM	SOUND	VIDEO	SIZE	VOLT RANGE	TUNER	OPTION CODES						
										1	2	3	4	5	6	7
20PT324B/77B	197	L9.2A AA	RC282902/01	P-NM	MONO		59x46x47	100 - 250V	TUVTV V+U PLL IEC MN	228	227	134	237	26	0	194
20PT3722/59A	218	L9.2A AA	RC283501/01	P-BGDK, S-BGDK (K1)	MONO		59x46x47	100 - 250V	VHF/UHF UV1316/A I-2	232	195	135	99	186	4	68
20PT3722/59B	218	L9.2A AA	RC283501/01	P-BGDK, S-BGDK (K1)	MONO		59x46x47	100 - 250V	VHF/UHF UV1316/A I-2	232	195	135	99	186	4	68
20PT3722/59C	218	L9.2A AA	RC283501/01	P-BGDK, S-BGDK (K1)	MONO		59x46x47	100 - 250V	VHF/UHF UV1316/A I-2	232	195	135	99	186	4	68
20PT3722/59R	218	L9.2A AA	RC283501/01	P-BGDK, S-BGDK (K1)	MONO		59x46x47	100 - 250V	VHF/UHF UV1316/A I-2	232	195	135	99	186	4	68
20PT3722/59S	218	L9.2A AA	RC283501/01	P-BGDK, S-BGDK (K1)	MONO		59x46x47	100 - 250V	VHF/UHF UV1316/A I-2	224	195	135	99	186	4	68
20PT3722/73R	218	L9.2A AA	RC283501/01	P-BG	MONO		59x46x47	100 - 250V	VHF/UHF UV1316/A I-2	232	195	135	99	186	4	2
20PT3722/73R	218	L9.2A AA	RC283501/01	P-BG	MONO		59x46x47	100 - 250V	VHF/UHF UV1316/A I-2	224	195	135	99	186	4	0
20PT3722/71R	218	L9.2A AA	RC282903/01	N-M	MONO		59x46x47	100 - 250V	TUV TV V+U PLL F TEDH9	224	195	135	231	186	4	192
20PT3722/94R	218	L9.2A AA	RC283501/01	P-BG	MONO		59x46x47	100 - 250V	VHF/UHF UV1316/A I-2	232	195	135	99	186	4	0
20PT3822/57R	218	L9.2A AA	RC283501/01	P-BGDK, S-BGDK(K1), N-M	NICAM/2CS		59x46x47	100 - 250V	VHF/UHF UV1316/A I-2	224	195	135	115	186	206	19
20PT3822/68R	218	L9.2A AA	RC283501/01	P-BGDK, S-BGDK(K1), N-M	NICAM/2CS		59x46x47	100 - 250V	VHF/UHF UV1316/A I-2	232	195	135	115	186	206	19
20PT3822/69R	218	L9.2A AA	RC283501/01	P-BGDK, S-BGDK(K1), N-M	NICAM/2CS		59x46x47	100 - 250V	VHF/UHF UV1316/A I-2	224	195	135	115	186	206	19
20PT3822/71R	218	L9.2A AA	RC283501/01	P-BGDK, S-BGDK(K1), N-M	NICAM/2CS		59x46x47	100 - 250V	VHF/UHF UV1316/A I-2	224	195	135	247	186	204	208
20PT3822/71R	218	L9.2A AA	RC283501/01	P-BGDK, S-BGDK(K1), N-M	NICAM/2CS		59x46x47	100 - 250V	VHF/UHF UV1316/A I-2	224	195	135	247	186	204	208
20PT3822/74R	218	L9.2A AA	RC283501/01	P-BGDK, S-BGDK(K1), N-M	NICAM/2CS		59x46x47	100 - 250V	VHF/UHF UV1316/A I-2	224	195	135	115	186	206	19
20PT3822/79R	218	L9.2A AA	RC282903/01	N-M	BTSC		59x46x47	100 - 250V	TUV TV V+U PLL F TEDH9	232	195	135	247	186	204	208
20PT3822/79R	218	L9.2A AA	RC282903/01	N-M	BTSC		59x46x47	100 - 250V	VHF/UHF UV1316/A I-2	224	195	135	247	186	204	208
20PT424A/77B	218	L9.2A AA	RC282902/01	P-NM	MONO		59x46x48	100 - 250V	TUVTV V+U PLL IEC MN	236	227	134	237	26	0	194
20PT424A/77B	218	L9.2A AA	RCL9BC	P-NM, N-M	BTSC		59x46x48	100 - 250V	TUVTV V+U PLL IEC MN	236	227	134	237	26	206	203
20RA01/05	197a	L9.2E AA	RC282401/01	P-I	MONO		50x47x46	170V - 242V	UV1316/A I/2	224	0	195	97	58	0	64
20TA01/05	197a	L9.2E AA	RCL9ED	P-I	MONO		50x47x46	170V - 242V	UV1316/A I/2	224	0	195	97	58	0	64
21HT1582/59Z	183	L9H.2A AA	RC283501/01	P-BG, S-DK	MONO		52x47x48	90 - 276V	VHF/UHF UV1316/A I-2	0	224	4	80	59	16	66
21HT1582/67R	183	L9H.2A AA	RC2882/01	P-BGH,	MONO		52x47x48	90 - 276V	VHF/UHF UV1316/A I-2	128	97	6	80	59	16	1
21HT1582/67Z	183	L9H.2A AA	RC283501/01	P-BGH,	MONO		52x47x48	90 - 276V	VHF/UHF UV1316/A I-2	0	96	4	80	59	16	1
21HT1582/75R	183	L9H.2A AA	RC2882/01	P-BGH,	MONO		52x47x48	150 - 276	VHF/UHF UV1316/A I-2	128	225	6	80	59	16	1
21HT1582/75Z	183	L9H.2A AA	RC283501/01	P-BGH	MONO		52x47x48	150 - 276	VHF/UHF UV1316/A I-2	0	224	4	80	59	16	1
21HT3622/57R	241	L9H.2A AA	RC2882/01	P-BGDK, S-BGDK(K1), N-M	NICAM/2CS		61x48x49	90 - 276V	VHF/UHF UV1316/A I-2	128	97	6	80	59	249	83
21HT3622/69R	241	L9H.2A AA	RC2882/01	P-BGDK, S-BGDK(K1), N-M	NICAM/2CS		61x48x49	90 - 276V	VHF/UHF UV1316/A I-2	128	225	6	80	59	248	19
21HT3622/57Y	241	L9H.2A AA	RC2882/01	P-BGDK, S-BGDK(K1), N-M	NICAM/2CS		61x48x49	90 - 276V	VHF/UHF UV1316/A I-2	224	97	6	92	59	249	83
21HT3622/79Y	241	L9H.2A AA	RC2882/01	P-BGDK, S-BGDK(K1), N-M	NICAM/2CS		61x48x49	90 - 276V	VHF/UHF UV1316/A I-2	224	225	6	92	59	248	19
21HT3622/79Y	241	L9H.2A AA	RC2882/01	P-BGDK, S-BGDK(K1), N-M	NICAM/2CS		61x48x49	150 - 276	VHF/UHF UV1316/A I-2	224	225	6	92	59	248	19
21HT3622/94Y	241	L9H.2A AA	RC2882/01	P-BGDK, S-BGDK(K1), N-M	NICAM/2CS		61x48x49	90 - 276V	VHF/UHF UV1316/A I-2	224	225	6	92	59	248	19
21HT3782/71Z	240	L9H.2A AA	RC282903/01	N-M	BTSC		61x47x48	100 - 250V	TUV TV V+U PLL F TEDH9	224	225	6	92	59	248	19
21HT5403/01Z	192	L9H.2E AA	RC2882/01	P-BG, S-LL'	MONO		52x47x48	220V	V+U PLL	0	96	4	209	59	19	192
21HT5403/21R	240	L9H.2E AA	RC2884/01	P-BG, S-LL'	MONO		52x47x48	220V	V+U PLL	0	96	4	80	59	16	66
21PT1321/60T	183	L7.1A AA	RC0770	P-BGDK, S-BGDK(K1), N-M	MONO		52x47x48	160-250V	UV1355S/I	See sticker in set	See sticker in set	See sticker in set	See sticker in set	See sticker in set	See sticker in set	See sticker in set
21PT1354/58	197a	L9.2E AA	RC282601/01	P-BGDK, S-BGDK	NICAM, 2CS		50x47x46	100 - 250V	VHF/UHF UV1316/A I-2	See sticker in set	See sticker in set	See sticker in set	See sticker in set	See sticker in set	See sticker in set	See sticker in set
21PT1364/58	222	L9.2E AA	RC282601/01	P-BGDK, S-BGDK	NICAM, 2CS		52x47x48	100 - 250V	UV1355S/I	See sticker in set	See sticker in set	See sticker in set	See sticker in set	See sticker in set	See sticker in set	See sticker in set
21PT1381/59T	183	L7.1A AA	RC0770	P-BGDK, S-BGDK	MONO		52x47x48	100-250V	UV1355S/I	See sticker in set	See sticker in set	See sticker in set	See sticker in set	See sticker in set	See sticker in set	See sticker in set
21PT1582/59C	183	L9.2A AA	RC283501/01	P-BGDK, S-BGDK (K1)	MONO		52x47x48	100 - 250V	VHF/UHF UV1316/A I-2	224	195	128	3	186	4	68
21PT1582/59V	183	L9.2A AA	RC283501/01	P-BGDK, S-BGDK (K1)	MONO		52x47x48	100 - 250V	VHF/UHF UV1316/A I-2	224	195	135	99	186	4	68
21PT1582/67R	183	L9.2A AA	RC283501/01	P-BGDK, S-BGDK (K1)	MONO		52x47x48	100 - 250V	VHF/UHF UV1316/A I-2	224	195	135	99	186	4	0
21PT1582/71R	183	L9.2A AA	RC282903/01	N-M	MONO		52x47x48	100 - 250V	TUV TV V+U PLL F TEDH9	224	195	135	231	186	4	192
21PT1582/75T	183	L9.2A AA	RC283501/01	P-BG	MONO		52x47x48	100 - 250V	VHF/UHF UV1316/A I-2	224	67	135	99	186	4	0
21PT1582/94R	183	L9.2A AA	RC283501/01	P-BG	MONO		52x47x48	100 - 250V	VHF/UHF UV1316/A I-2	232	195	135	99	186	4	0
21PT1664/00	222	L9.2E AA	RC2525/01	P-BG	MONO		55x47x50	170V - 242V	UV1316/A I/2	232	251	197	97	186	16	1
21PT1664/01	222	L9.2E AA	RC2525/01	P-BG, S-BG, L1	MONO		55x47x50	170V - 242V	UV1316/A I/2	232	251	197	97	186	16	3
21PT1664/05	222	L9.2E AA	RC2525/01	P-BGDK, S-BGDK	MONO		55x47x50	170V - 242V	UV1316/A I/2	232	251	197	97	186	16	65
21PT1664/58	222	L9.2E AA	RC2525/01	P-BGDK, S-BGDK	MONO		55x47x50	170V - 242V	UV1316/A I/2	232	203	132	132	196	16	66
21PT2264/00	222	L9.2E AA	RC2525/01	P-BG	2CS/NICAM		55x47x50	170V - 242V	UV1316/A I/2	See sticker in set	See sticker in set	See sticker in set	See sticker in set	See sticker in set	See sticker in set	See sticker in set
21PT2386/75Y	192	L7.2A AA	RC0772	P-BG	MONO		61x47x48	160-250V	TELES-087A	See sticker in set	See sticker in set	See sticker in set	See sticker in set	See sticker in set	See sticker in set	See sticker in set
21PT2626/69V	192	L7.2A AA	RC0770	P-BGDK, S-BGDK(K1), N-M	NICAM		61x47x48	100-250V	TELES-087A	See sticker in set	See sticker in set	See sticker in set	See sticker in set	See sticker in set	See sticker in set	See sticker in set
21PT2626/94Y	192	L7.2A AA	RC0772	P-BGDK, S-BGDK(K1), N-M	NICAM		61x47x48	100-250V	TELES-087A	See sticker in set	See sticker in set	See sticker in set	See sticker in set	See sticker in set	See sticker in set	See sticker in set
21PT2664/00	222	L9.2E AA	RC2525/01	P-BG	NICAM, 2CS		55x47x50	100 - 250V	VHF/UHF UV1316/A I-2	See sticker in set	See sticker in set	See sticker in set	See sticker in set	See sticker in set	See sticker in set	See sticker in set
21PT2684/01	222	L9.2E AA	RC2525/01	P-S-BG, L1	NICAM, 2CS		55x47x50	100 - 250V	VHF/UHF UV1316/A I-2	See sticker in set	See sticker in set	See sticker in set	See sticker in set	See sticker in set	See sticker in set	See sticker in set
21PT2684/05	222	L9.2E AA	RC2525/01	P-S-BG, L1	NICAM, 2CS		55x47x50	100 - 250V	VHF/UHF UV1316/A I-2	See sticker in set	See sticker in set	See sticker in set	See sticker in set	See sticker in set	See sticker in set	See sticker in set
21PT2684/58	222	L9.2E AA	RC2525/01	P-BGDK, S-BGDK	NICAM, 2CS		55x47x50	100 - 250V	VHF/UHF UV1316/A I-2	See sticker in set	See sticker in set	See sticker in set	See sticker in set	See sticker in set	See sticker in set	See sticker in set

Model number survey

MODEL	STYLING	CHASSIS	RC	SYSTEM	SOUND	SIZE	VOLT RANGE	TUNER	OPTION CODES						
									1	2	3	4	5	6	7
21PT2686/57Y	192	L7.2A AA	RC0772	P-BGDKI, S-BGDK(K1), N-M	NICAM	61x47x48	160-250V	TELE9-087A	228	227	134	237	26	0	194
21PT334A/77B	206a	L9.2A AA	RC282902/01	N-M	MONO	61x47x48	100-250V	TUV TV V-U PLL IEC MN	228	227	134	237	26	0	194
21PT332/294R	218	L9.2A AA	RC283501/01	N-M	MONO	61x47x48	100-250V	VHF/UHF UV1316/A I-2	224	195	135	186	26	0	206
21PT3722/59A	192a	L9.2A AA	RC283501/01	P-BGDK, S-BGDK (K1)	MONO	61x47x48	100-250V	VHF/UHF UV1316/A I-2	224	195	135	99	186	4	68
21PT3722/59B	192a	L9.2A AA	RC283501/01	P-BGDK, S-BGDK (K1)	MONO	61x47x48	100-250V	VHF/UHF UV1316/A I-2	224	195	135	99	186	4	68
21PT3722/59C	192a	L9.2A AA	RC283501/01	P-BGDK, S-BGDK (K1)	MONO	61x47x48	100-250V	VHF/UHF UV1316/A I-2	224	195	135	99	186	4	68
21PT3722/59D	192a	L9.2A AA	RC283501/01	P-BGDK, S-BGDK (K1)	MONO	61x47x48	100-250V	VHF/UHF UV1316/A I-2	224	195	135	99	186	4	68
21PT3722/59E	192a	L9.2A AA	RC283501/01	P-BGDK, S-BGDK (K1)	MONO	61x47x48	100-250V	VHF/UHF UV1316/A I-2	224	67	135	99	186	4	0
21PT3782/67R	192a	L9.2A AA	RC283501/01	P-BGDK, S-BGDK (K1)	MONO	61x47x48	100-250V	VHF/UHF UV1316/A I-2	224	195	135	99	186	4	0
21PT3782/71R	192a	L9.2A AA	RC283501/01	N-M	MONO	61x47x48	100-250V	TUV TV V-U PLL F TEDH9	224	195	135	231	186	4	192
21PT3822/56T	218	L9.2A AA	RC283501/01	P-BGDKI, S-BGDK(K1), N-M	NICAM/2CS	61x47x48	100-250V	VHF/UHF UV1316/A I-2	224	195	135	115	186	206	19
21PT3822/57T	218	L9.2A AA	RC283501/01	P-BGDKI, S-BGDK(K1), N-M	NICAM/2CS	61x47x48	100-250V	VHF/UHF UV1316/A I-2	224	195	135	115	186	206	19
21PT3822/68R	218	L9.2A AA	RC283501/01	P-BGDKI, S-BGDK(K1), N-M	NICAM/2CS	61x47x48	100-250V	VHF/UHF UV1316/A I-2	232	195	135	115	186	206	19
21PT3822/69R	218	L9.2A AA	RC283501/01	P-BGDKI, S-BGDK(K1), N-M	NICAM/2CS	61x47x48	100-250V	VHF/UHF UV1316/A I-2	224	195	135	115	186	206	19
21PT3822/69T	218	L9.2A AA	RC283501/01	P-BGDKI, S-BGDK(K1), N-M	NICAM/2CS	61x47x48	100-250V	VHF/UHF UV1316/A I-2	232	67	135	115	186	206	19
21PT3822/70T	218	L9.2A AA	RC283501/01	N-M	BTSC	61x47x48	100-250V	VHF/UHF UV1316/A I-2	232	199	135	115	186	206	19
21PT3882/67R	218	L9.2A AA	RC283501/01	P-BGDKI, S-BGDK(K1), N-M	NICAM/2CS	61x47x48	100-250V	VHF/UHF UV1316/A I-2	224	195	135	115	186	206	19
21PT3882/71R	218	L9.2A AA	RC283501/01	N-M	BTSC	61x47x48	100-250V	TUV TV V-U PLL F TEDH9	224	195	135	247	186	206	19
21PT3882/74R	218	L9.2A AA	RC283501/01	P-BGDKI, S-BGDK(K1), N-M	NICAM/2CS	61x47x48	100-250V	VHF/UHF UV1316/A I-2	224	195	135	115	186	206	19
21PT3883/94R	192a	L9.2A AA	RC283501/01	P-BG, S-BG	MONO	61x47x48	100-250V	VHF/UHF UV1316/A I-2	234	195	135	115	186	206	1
21PT3885/94R	192a	L9.2A AA	RC283501/01	P-BGDKI, S-BGDK(K1), N-M	MONO	61x47x48	100-250V	VHF/UHF UV1316/A I-2	234	199	135	115	186	206	19
21PT4355/00	218a	L9.2E AA	RC2525/01	P-BG	NICAM, 2CS	52x47x49	170V-242V	UV1316/A I/2	232	51	199	113	186	156	9
21PT4455/00	218a	L9.2E AA	RC2525/01	P-BG	2CS/NICAM	52x47x49	170V-242V	UV1316/A I/2	232	51	199	113	186	156	11
21PT4475/01	218a	L9.2E AA	RC2525/01	P-BG, S-BGLL1	2CS/NICAM	52x47x49	170V-242V	UV1316/A I/2	232	51	199	113	186	156	73
21PT4475/05	218a	L9.2E AA	RC2525/01	P-I	NICAM	52x47x49	170V-242V	UV1316/A I/2	232	3	134	113	186	158	74
21PT4475/58	218a	L9.2E AA	RC2525/01	P-BGDK, S-BGDK	2CS/NICAM	52x47x49	170V-242V	UV1316/A I/2	232	3	134	113	186	158	74
21PT4655/00	218a	L9.2E AA	RC2525/01	P-BG	NICAM, 2CS	52x47x49	100-250V	VHF/UHF UV1316/A I-2	234	199	135	115	186	206	19
21PT34A/77B	206a	L9.2E AA	RC19BC	P-BG	NICAM, 2CS	52x47x49	100-250V	VHF/UHF UV1316/A I-2	234	195	135	115	186	206	19
21SA01/05	218a	L9.2E AA	RC19BC	P-I	NICAM, 2CS, STEREO	52x47x49	170V-242V	UV1316/A I/2	232	51	199	113	186	156	9
24PW6304/00R	188	A8.0 E AA	RC2541/01	P-BG	NICAM BGLI, 2CS BG	76x59x51	220-240V	PAL IEC EUR	See sticker in set	See sticker in set	See sticker in set	See sticker in set	See sticker in set	See sticker in set	See sticker in set
24PW6324/01R	188	A8.0 E AA	RC2541/01	P-BG	NICAM BGLI, 2CS BG	76x59x51	220-240V	PAL IEC EUR	See sticker in set	See sticker in set	See sticker in set	See sticker in set	See sticker in set	See sticker in set	See sticker in set
24PW6324/05R	188	A8.0 E AA	RC2541/01	P-I	NICAM BGLI	76x59x51	220-240V	PAL IEC EUR	See sticker in set	See sticker in set	See sticker in set	See sticker in set	See sticker in set	See sticker in set	See sticker in set
24PW6324/58R	188	A8.0 E AA	RC2541/01	P-BGDK, S-BGDK	NICAM BGLI	76x59x51	220-240V	PAL IEC EUR	See sticker in set	See sticker in set	See sticker in set	See sticker in set	See sticker in set	See sticker in set	See sticker in set
24PW8504/12	205	MG2.1E AA	RC2020/01	P-BGDKI, S-BGDKLL'	NICAM BGLI	70x46x46	220V	UV1316/A I-2	See sticker in set	See sticker in set	See sticker in set	See sticker in set	See sticker in set	See sticker in set	See sticker in set
24PW8504/19	205	MG2.1E AA	RC2020/01	P-BGDKI, S-BGDKLL'	NICAM BGLI	70x46x46	220V	UV1316/A I-2	See sticker in set	See sticker in set	See sticker in set	See sticker in set	See sticker in set	See sticker in set	See sticker in set
25HT4672/69R	242	L9.1A AA	RC2882/01	P-BGDKI, S-BGDK(K1), N-M	NICAM/2CS	69x54x45	90-276V	VHF/UHF UV1316/A I-2	128	225	6	80	63	248	19
25HT4672/71R	242	L9.1A AA	RC2882/01	N-M	BTSC	69x54x45	90-276V	TUV TV V-U PLL F TEDH9	128	97	4	209	63	251	216
25HT4672/79R	242	L9.1A AA	RC2882/01	P-BGDKI, S-BGDK(K1), N-M	NICAM/2CS	69x54x45	90-276V	VHF/UHF UV1316/A I-2	128	225	6	80	63	248	17
25HT4672/94R	242	L9.1A AA	RC2882/01	P-BGDKI, S-BGDK(K1), N-M	NICAM/2CS	69x54x45	90-276V	VHF/UHF UV1316/A I-2	128	225	6	80	63	248	19
25HT4677/57Y	242	L9.1A AA	RC2882/01	P-BGDKI, S-BGDK(K1), N-M	NICAM/2CS	69x54x45	90-276V	VHF/UHF UV1316/A I-2	224	97	6	92	63	249	83
25HT4677/69Y	242	L9.1A AA	RC2882/01	P-BGDKI, S-BGDK(K1), N-M	NICAM/2CS	69x54x45	90-276V	VHF/UHF UV1316/A I-2	224	225	6	92	63	248	19
25HT5403/01Z	238	L9.1E AA	RC2882/01	P-BG, S-LL'	MONO	66x54x47	220V	UV1316	224	225	6	92	63	248	19
25HT5403/21R	238	L9.1E AA	RC2884/01	P-BG, S-LL'	NICAM-BG, 2 CS BG	69x46x52	220V	UV1316	224	225	6	92	63	248	19
25PT1410/58	223	L9.1E AA	RC2525/01	P-BGDK, S-BGDK	NICAM BK, 2 CS DK	76x51x68	90-276V	TUN V-U PLL IEC BG	See sticker in set	See sticker in set	See sticker in set	See sticker in set	See sticker in set	See sticker in set	See sticker in set
25PT4223/50B	206a	L9.1A AA	RC283501/01	P-BG, S-DK (K1)	MONO	68x54x47	90-276V	VHF/UHF UV1316/A I-2	234	195	151	123	254	206	9
25PT4223/59C	206a	L9.1A AA	RC283501/01	P-BG, S-DK (K1)	MONO	68x54x47	90-276V	VHF/UHF UV1316/A I-2	234	195	151	123	254	206	49
25PT4223/67R	206a	L9.1A AA	RC283501/01	P-BG	MONO	68x54x47	90-276V	VHF/UHF UV1316/A I-2	234	195	151	123	254	206	9
25PT4224/94R	206a	L9.1A AA	RC283501/01	P-BG	MONO	68x54x47	90-276V	VHF/UHF UV1316/A I-2	234	195	151	123	254	206	9
25PT4224/94R	206a	L9.1A AA	RC283501/01	P-BG	MONO	68x54x47	90-276V	VHF/UHF UV1316/A I-2	234	195	151	123	254	206	9
25PT4273/79R	206a	L9.1A AA	RC283501/01	P-BG	MONO	68x54x47	90-276V	VHF/UHF UV1316/A I-2	234	195	151	123	254	206	9
25PT4273/79R	206a	L9.1A AA	RC283501/01	P-BG	MONO	68x54x47	90-276V	VHF/UHF UV1316/A I-2	234	195	151	123	254	206	9
25PT4275/01	223	L9.1E AA	RC2525/01	P-BG, S-BGLL'	NICAM, STEREO	76x51x68	90-276V	TUN V-U PLL IEC BG	See sticker in set	See sticker in set	See sticker in set	See sticker in set	See sticker in set	See sticker in set	See sticker in set
25PT4324/94R	206a	L9.1A AA	RC283501/01	P-BG	MONO	68x54x47	90-276V	VHF/UHF UV1316/A I-2	234	195	151	123	254	206	9
25PT4375/01	223	L9.1E AA	RC2525/01	P-BG, S-BGLL'	NICAM, STEREO	76x51x68	90-276V	TUN V-U PLL IEC BG	234	195	151	123	254	206	9
25PT4375/01	223	L9.1E AA	RC2525/01	P-BG	NICAM, STEREO	76x51x68	90-276V	TUN V-U PLL IEC BG	233	195	151	123	254	206	9
25PT4375/01	223	L9.1E AA	RC2525/01	P-BG	NICAM, STEREO	69x46x52	170V-242V	UV1316/A I-2	233	151	128	121	254	158	9
25PT4473/69T	206	L7.3A AA	RC0772	P-BGDKI, S-BGDK(K1), N-M	MONO	68x54x47	100-250V	UV1355/A I/K	See sticker in set	See sticker in set	See sticker in set	See sticker in set	See sticker in set	See sticker in set	See sticker in set

Model number survey

MODEL	STYLING	CHASSIS	RC	SYSTEM P.-PAL S.-SECAM N.-NTSC	SOUND	SOUND MONO NICAM NICAM 2CS BTSC	SIZE wxhxd (cm)	VOLT RANGE 100-250V	TUNER	OPTION CODES						
										1	2	3	4	5	6	7
25PT4473/75T	206	L7.3A AA	RC0772	P-BG	MONO	BTSC	68x54x47	100-250V	UV1355/A IK	See sticker in set						
25PT4475/01	223	L9.1E AA	RC2525/01	P-BGI, S-BGLL'	NICAM	NICAM	69x46x62	170V - 242V	UV1316/A I-2	233	51	130	121	254	158	11
25PT4475/05	223	L9.1E AA	RC2525/01	P-I	NICAM	NICAM	69x46x62	170V - 242V	UV1316/A I-2	233	51	130	121	254	158	73
25PT4475/58	223	L9.1E AA	RCL9EA	P-BGDK, S-BGDK	NICAM BGDK, 2CS BG	NICAM BGDK, 2CS BG	76x51x58	150-264V	UV1316/A I U-2	See sticker in set						
25PT4623/56T	206	L7.3A AA	RC0772	P-BGDK, S-BGDK(K1), N-M	NICAM	NICAM	68x54x47	100-250V	UV1355/A IK							
25PT4623/57T	206	L7.3A AA	RC0772	P-BGDK, S-BGDK(K1), N-M	NICAM	NICAM	68x54x47	100-250V	UV1355/A IK							
25PT4635/00	223	L9.1E AA	RC2525/01	P-BG	NICAM, 2CS	NICAM, 2CS	76x51x58	90 - 276V	TUN V+U PLL IEC BG	See sticker in set						
25PT4673/69T	206	L7.3A AA	RC0772	P-BGDK, S-BGDK(K1), N-M	NICAM	NICAM	68x54x47	100-250V	UV1355/A IK							
25PT4673/69T	207a	L7.3A AA	RC0772	P-BGDK, S-BGDK(K1), N-M	NICAM	NICAM	68x54x47	100-250V	UV1355/A IK							
25PT4673/79T	206	L7.3A AA	RC0772	P-BG	NICAM	NICAM	68x54x47	100-250V	UV1355/A IK							
25PT4675/05	223	L9.1E AA	RC2525/01	P-BGI, S-BGLL'	NICAM, STEREO	NICAM, STEREO	76x51x58	90 - 276V	TUN V+U PLL IEC BG	See sticker in set						
25PT4676/69V	206	L7.3A AA	RC0772	P-BGDK, S-BGDK(K1), N-M	NICAM, 2CS	NICAM, 2CS	68x54x47	100-250V	TUN V+U PLL IEC BG	See sticker in set						
25PT4676/94Y	206	L7.3A AA	RC0772	P-BGDK, S-BGDK(K1), N-M	NICAM, 2CS	NICAM, 2CS	68x54x47	100-250V	UV1355/A IK							
25PT4822/71T	206a	L9.1A AA	RC282903/01	N - M	BTSC	BTSC	68x54x47	90 - 276V	TUN V+U PLL F MN B	164	227	135	245	207	208	216
25PT4822/71Z	206	L9.1A AA	RC282903/01	N - M	BTSC	BTSC	68x54x47	90 - 276V	TUN V+U PLL F MN B	0	96	4	221	63	251	216
25PT4823/57R	206a	L9.1A AA	RC283501/01	P-BGDK, S-BGDK(K1), N-M	NICAM, 2CS	NICAM, 2CS	68x54x47	90 - 276V	VFH/UHF UV1316/A I-2	234	195	151	123	254	206	147
25PT4823/57T	206a	L9.1A AA	RC283501/01	P-BGDK, S-BGDK(K1), N-M	NICAM, 2CS	NICAM, 2CS	68x54x47	90 - 276V	VFH/UHF UV1316/A I-2	234	195	151	123	254	206	147
25PT4823/67R	206a	L9.1A AA	RC283501/01	P-BGDK, S-BGDK(K1), N-M	NICAM, 2CS	NICAM, 2CS	68x54x47	90 - 276V	VFH/UHF UV1316/A I-2	234	195	151	123	254	206	19
25PT4873/56A	206a	L9.1A AA	RC283501/01	P-BGDK, S-BGDK(K1), N-M	NICAM, 2CS	NICAM, 2CS	68x54x47	90 - 276V	VFH/UHF UV1316/A I-2	234	195	151	123	254	206	19
25PT4873/56T	206a	L9.1A AA	RC283501/01	P-BGDK, S-BGDK(K1), N-M	NICAM, 2CS	NICAM, 2CS	68x54x47	90 - 276V	VFH/UHF UV1316/A I-2	234	195	151	123	254	206	19
25PT4873/69R	206a	L9.1A AA	RC283501/01	P-BGDK, S-BGDK(K1), N-M	NICAM, 2CS	NICAM, 2CS	68x54x47	90 - 276V	VFH/UHF UV1316/A I-2	234	195	151	123	254	206	19
25PT4873/69T	206a	L9.1A AA	RC283501/01	P-BGDK, S-BGDK(K1), N-M	NICAM, 2CS	NICAM, 2CS	68x54x47	90 - 276V	VFH/UHF UV1316/A I-2	234	195	151	123	254	206	19
25PT4873/79T	206a	L9.1A AA	RC283501/01	P-BGDK, S-BGDK(K1), N-M	NICAM, 2CS	NICAM, 2CS	68x54x47	90 - 276V	VFH/UHF UV1316/A I-2	234	195	151	123	254	206	17
25PT5005/00	207a	L9.1E AA	RC2525/01	P-BG	NICAM, 2CS	NICAM, 2CS	68x54x47	90 - 276V	UV1316/A I-2	234	195	151	123	254	206	17
25PT5025/01	207a	L9.1E AA	RC2525/01	P-BGI, S-BGLL'	NICAM	NICAM	76x51x58	170V - 242V	UV1316/A I-2	233	251	128	121	254	222	9
25PT5025/05	207a	L9.1E AA	RC2525/01	P-I	NICAM	NICAM	76x51x58	170V - 242V	UV1316/A I-2	233	251	128	121	254	222	11
25PT5025/58	207a	L9.1E AA	RC2525/01	P-BGDK, S-BGDK	NICAM	NICAM	76x51x58	170V - 242V	UV1316/A I-2	232	251	128	121	254	222	73
25PT5105/00	207a	L9.1E AA	RC2525/01	P-BG	NICAM	NICAM	76x51x58	170V - 242V	UV1316/A I-2	232	203	132	121	254	222	74
25PT5125/01	207a	L9.1E AA	RC2525/01	P-BGI, S-BGLL'	NICAM	NICAM	76x51x58	170V - 242V	UV1316/A I-2	233	251	128	121	254	222	9
25PT5125/05	207a	L9.1E AA	RC2525/01	P-I	NICAM	NICAM	76x51x58	170V - 242V	UV1316/A I-2	233	251	128	121	254	222	11
25PT5405/00	187	A8.0E AA	RC2541/01	P-BG	2CS-BG	NICAM BGLI	76x59x51	220-240V	PAL IEC EUR	See sticker in set						
25PT5425/01	187	A8.0E AA	RC2541/01	P-BGI, S-BGLL'	NICAM BGLI	NICAM BGLI	76x59x51	220-240V	PAL IEC EUR	See sticker in set						
25PT544A/77B	206a	L9.1A AA	RCL9BC	N - M	BTSC	BTSC	68x54x47	90 - 276V	TUN V+U PLL IEC MN B	194	227	175	253	206	211	
25PT7304/12	204	MG2.1E AA	RC2592/01	P-BGDK, S-BGDKLL'	NICAM BGLI	NICAM BGLI	72x52x46	220V	UV1316/A I-2	See sticker in set						
25PT8304/12	204	MG2.1E AA	RC2592/01	P-BGDK, S-BGDKLL'	NICAM BGLI	NICAM BGLI	72x52x46	220V	UV1316/A I-2	See sticker in set						
25PT8304/19	204	MG2.1E AA	RC2592/01	P-BGDK, S-BGDKLL'	NICAM BGLI	NICAM BGLI	72x52x46	220V	UV1316/A I-2	See sticker in set						
25PT8304/58	204	MG2.1E AA	RC2592/01	P-BGDK, S-BGDKLL'	NICAM BGLI	NICAM BGLI	72x52x46	220V	UV1316/A I-2	See sticker in set						
25SA01/05	223	L9.1E AA	RCL9ED	P-I	NICAM, 2CS	NICAM, 2CS	76x51x58	90 - 276V	TUN V+U PLL IEC BG	See sticker in set						
28DW6734/25	209	MD1.2E AA	RC2007/01	P-I	NICAM I	NICAM I	76x48x50	220-240V	U944S	See sticker in set						
28HT5403/01Z	238	L9H.1E AA		P-BGI, S-L'	NICAM-BGDK, 2 CS BG	NICAM-BGDK, 2 CS BG	76x58x51	220V	UV1316							
28HT5403/21R	238	L9H.1E AA		P-BGIS-L'	NICAM-BGDK, 2 CS BG	NICAM-BGDK, 2 CS BG	76x58x51	220V	UV1316							
28PT4104/58	223	L9.1E AA	RCL9EA	P-BGDK, S-BGDK	MONO	MONO	76x51x58	150-264V	UV1316/A I U-2	See sticker in set						
28PT4255/01	234	L9.1E AA	RC2525/01	P-BG	NICAM, 2CS	NICAM, 2CS	76x51x58	90 - 276V	TUN V+U PLL IEC BG	See sticker in set						
28PT4275/01	234	L9.1E AA	RC2525/01	P-BGI, S-BGLL'	NICAM, STEREO	NICAM, STEREO	76x51x58	90 - 276V	TUN V+U PLL IEC BG	See sticker in set						
28PT4375/01	234	L9.1E AA	RC2525/01	P-BGI, S-BGLL'	NICAM, STEREO	NICAM, STEREO	76x51x58	90 - 276V	TUN V+U PLL IEC BG	See sticker in set						
28PT4455/00	223	L9.1E AA	RC2525/01	P-BG	NICAM	NICAM	76x51x58	170V - 242V	UV1316/A I-2	233	51	128	121	254	158	9
28PT4475/01	223	L9.1E AA	RC2525/01	P-BGI, S-BGLL'	NICAM	NICAM	76x51x58	170V - 242V	UV1316/A I-2	233	51	130	121	254	158	11
28PT4475/58	234	L9.1E AA	RC2525/01	P-BG	NICAM, 2CS	NICAM, 2CS	76x51x58	90 - 276V	TUN V+U PLL IEC BG	See sticker in set						
28PT4655/00	204	L9.1E AA	RC2525/01	P-BGI, S-BGLL'	NICAM, 2CS	NICAM, 2CS	76x51x58	90 - 276V	TUN V+U PLL IEC BG	See sticker in set						
28PT4675/01	234	L9.1E AA	RC2525/01	P-BGI, S-BGLL'	NICAM, STEREO	NICAM, STEREO	76x51x58	90 - 276V	TUN V+U PLL IEC BG	See sticker in set						
28PT4675/05	204	L9.1E AA	RC2525/01	P-BG	NICAM, 2CS	NICAM, 2CS	76x51x58	90 - 276V	TUN V+U PLL IEC BG	See sticker in set						
28PT4755/00	237	L9.1E AA	RCL9EA	P-BG	NICAM-BG, 2 CS BG, MO	NICAM-BG, 2 CS BG, MO	76x51x58	220-240V	UV1316/A I U-2	See sticker in set						
28PT4755/01	207	L9.1E AA	RCL9EA	P-BGI, S-BGLL'	2CS BG, NICAM BG, MO	2CS BG, NICAM BG, MO	76x51x58	220-240V	UV1316/A I U-2	See sticker in set						



Model number survey

MODEL	STYLING	CHASSIS	RC	SYSTEM	SOUND	SPEAKER	SIZE	VOLT RANGE	TUNER	OPTION CODES							
				P...PAL S...SECAM N...NTSC			wxhxd (cm)			1 2	3	4	5	6	7		
29PT4673/68R	207	L7.3A AA	RC0772	P-BGDKI, S-BGDK(K1), N-M	NICAM		76x58x51	100-250V	UV1355A 1K	See stcker in set							
29PT4676/57Y	207	L7.3A AA	RC0772	P-BGDKI, S-BGDK(K1), N-M	NICAM/2CS		76x58x51	100-250V	TELES-087A	164	227	245	254	207	208		
29PT4822/71R	207	L9.1A AA	RC282903/01	N - M	BTSC		76x58x51	90 - 276V	TUN V+UJ PLL F MN B	164	227	245	254	207	208		
29PT4823/57R	207	L9.1A AA	RC283501/01	N - M	BTSC		76x58x51	90 - 276V	TUN V+UJ PLL F MN B	164	227	245	254	207	208		
29PT4823/67R	207	L9.1A AA	RC283501/01	N - M	NICAM/2CS		76x58x51	90 - 276V	VFHUHF UV1316/A I-2	234	195	123	254	206	147		
29PT4824/94R	207	L9.1A AA	RC283501/01	N - M	NICAM/2CS		76x58x51	90 - 276V	VFHUHF UV1316/A I-2	234	195	123	254	206	19		
29PT4873/56A	207	L9.1A AA	RC283501/01	N - M	NICAM/2CS		76x58x51	90 - 276V	VFHUHF UV1316/A I-2	234	195	123	254	206	19		
29PT4873/68R	207	L9.1A AA	RC283501/01	N - M	NICAM/2CS		76x58x51	90 - 276V	VFHUHF UV1316/A I-2	234	195	123	254	206	19		
29PT4873/79R	207	L9.1A AA	RC283501/01	N - M	NICAM/2CS		76x58x51	90 - 276V	VFHUHF UV1316/A I-2	234	195	123	254	206	19		
29PT5405/00	187	A8.0 E AA	RC2541/01	P-BG	2CS-BG		76x58x51	220-240V	PAL IEC EUR	234	195	123	254	206	17		
29PT5425/01	187	A8.0 E AA	RC2541/01	P-BG	2CS-BG		76x58x51	220-240V	PAL IEC EUR	234	195	123	254	206	17		
29PT5544/77B	207	L9.1A AA	RCL9BC	N - M	NICAM BGLI, 2CS BG		76x58x51	90 - 276V	TUN V+UJ PLL IEC MN B	194	227	253	222	206	211		
29PT5783/56A	199	A8.0 A AA	RC582D	P-BGDKI, S-BGDK, N-M	2CS BG STEREO		76x58x51	90-276V	TELES-088A	93	127	87	0	0	0		
29PT5783/57R	199	A8.0 A AA	RC582D	P-BGDKI, S-BGDK, N-M	NICAM I		76x58x51	90-276V	TELES-088A	93	127	87	0	0	0		
29PT5783/68R	199	A8.0 A AA	RC582D	P-BGDKI, S-BGDK, N-M	NICAM BG, 2CS BG		76x58x51	90-276V	TELES-088A	93	127	87	0	0	0		
29PT5783/79R	199	A8.0 A AA	RC582D	P-BGDKI, S-BGDK, N-M	NICAM BG, 2CS BG		76x58x51	90-276V	TELES-088A	93	127	87	0	0	0		
29PT6031/61R	230	A8.0A AA	RC582E	N-M	2CS-KOREA		59x79x50	160-276V	TELH9-206A	127	255	223	128	0	0		
29PT6031/71R	230	A8.0A AA	RC582E	N-M	BTSC DBX		59x79x50	160-276V	TELH9-206A	127	255	223	128	0	0		
29PT6231/57R	230	A8.0A AA	RC582E	P-BGDKI, S-BGDK, N-M	NICAM I		79x59x50	90-276V	FE415-G11	93	127	87	128	0	0		
29PT6231/68R	230	A8.0A AA	RC582D	P-BGDKI, S-BGDK, N-M	NICAM BG, 2CS BG		79x59x50	90-276V	FE415-G11	93	127	87	128	0	0		
29PT6231/79R	230	A8.0A AA	RC582D	P-BGDKI, S-BGDK, N-M	NICAM BG, 2CS BG		79x59x50	90-276V	FE415-G11	93	127	87	128	0	0		
29PT8001/12	204	MG2.1E AA	RC2592/01	P-BGDKI, S-BGDKLL'	NICAM BGLI		77x59x50	220V	UV1316/A I-2	See stcker in set							
29PT8004/12	204	MG2.1E AA	RC2592/01	P-BGDKI, S-BGDKLL'	NICAM BGLI		77x59x50	220V	UV1316/A I-2	See stcker in set							
29PT8005/12	204	MG2.1E AA	RC2592/01	P-BGDKI, S-BGDKLL'	NICAM BGLI		77x59x50	220V	UV1316/A I-2	See stcker in set							
29PT8304/12	204	MG2.1E AA	RC2592/01	P-BGDKI, S-BGDKLL'	NICAM BGLI		77x59x50	220V	UV1316/A I-2	See stcker in set							
29PT8304/19	204	MG2.1E AA	RC2592/01	P-BGDKI, S-BGDKLL'	NICAM BGLI		77x59x50	220V	UV1316/A I-2	See stcker in set							
29PT8304/58	204	MG2.1E AA	RC2592/01	P-BGDKI, S-BGDKLL'	NICAM BGLI		77x59x50	220V	UV1316/A I-2	See stcker in set							
29PT8344/12	204	MG2.1E AA	RC2592/01	P-BGDKI, S-BGDKLL'	NICAM BGLI		77x59x50	220V	UV1316/A I-2	See stcker in set							
29PT8424/12	220	MD2.25E AA	RC2009	P-BG, S-BGL, N-M	NICAM BGLI		78x59x50	220V	UV916S	See stcker in set							
29PT8434/12	220	MD2.25E AA	RC2009	P-BG, S-BGL, N-M	NICAM BGLI		78x59x50	220V	UV916S	See stcker in set							
29PT8444/12	220	MD2.25E AA	RC2009	P-BG, S-BGL, N-M	NICAM BGLI		78x59x50	220V	UV916S	See stcker in set							
29PT8444/58	220	MD2.25E AA	RC2009	P-BGDKI, S-BGDK, N-M	NICAM BGLI		78x59x50	220V	UV916S	See stcker in set							
29PT8600/57R	217	MD1.1A BA	RC2006/01	P-BGDKI, S-BGDK, N-M	NICAM-H, 2CS-DK		78x59x50	90-276V	UV1316MK2/PH	208	1	52					
29PT8620/68R	217	MD1.1A BA	RC2006/01	P-BGDKI, S-BGDK, N-M	NICAM-BG, 2 CS BG		78x59x50	90-276V	UV1316MK2/PH	240	1	44					
29PT8620/69R	217	MD1.1A BA	RC2006/01	P-BGDKI, S-BGDK, N-M	NICAM-BG, 2 CS BG		78x59x50	90-276V	UV1316MK2/PH	240	1	44					
29PT8630/97R	217	MD1.1A BA	RC2006/01	P-BGDKI, S-BGDK, N-M	NICAM-BG, 2 CS DK		78x59x50	90-276V	UV1316MK2/PH	196	1	100					
29PT8800/57R	217	MD1.1A BA	RC2006/01	P-BGDKI, S-BGDK, N-M	NICAM-H, 2CS-DK		78x59x50	90-276V	UV1316MK2/PH	208	7	52					
29PT8800/93R	217	MD1.1A BA	RC2006/23	P-BGDKI, S-BGDK, N-M	NICAM-H, 2CS-DK		78x59x50	150-276V	UV1316MK2/PH	198	7	60					
29PT8860/75R	217	MD1.1A BA	RC2006/01	P-BGDKI, S-BGDK, N-M	2CS BG stereo		78x59x50	150-276V	UV1316MK2/PH	224	7	44					
29PT8860/79R	217	MD1.1A BA	RC2006/01	P-BGDKI, S-BGDK, N-M	NICAM-HG, 2 CS BG		78x59x50	150-276V	UV1316MK2/PH	240	7	44					
29PT8880/93R	217	MD1.1A BA	RC2006/23	P-BGDKI, S-BGDK, N-M	NICAM-H, 2CS-DK		78x59x50	150-276V	UV1316MK2/PH	214	1	60					
29PT8880/56H	217	MD1.1A BA	RC2006/01	P-BGDKI, S-BGDK, N-M	NICAM-I, 2CS-DK		78x59x50	150-276V	UV1316MK2/PH	210	7	60					
29PT8890/56H	217	MD1.1A BA	RC2006/01	P-BGDKI, S-BGDK, N-M	NICAM-BG, 2 CS BG		78x59x50	90-276V	UV1316MK2/PH	240	7	44					
29PT8890/68R	217	MD1.1A BA	RC2006/01	P-BGDKI, S-BGDK, N-M	NICAM-BG, 2 CS BG		78x59x50	90-276V	UV1316MK2/PH	240	7	44					
29PT8890/69R	217	MD1.1A BA	RC2006/01	P-BGDKI, S-BGDK, N-M	NICAM-BG, 2 CS BG		78x59x50	90-276V	UV1316MK2/PH	240	7	44					
29PT9005/12	215	MG2.1E AA	RC2021/01	P-BGDKI, S-BGDKLL'	NICAM BGLI		78x59x50	220V	UV1316MK2/PH	See stcker in set							
29PT9005/58	215	MG2.1E AA	RC2021/01	P-BGDKI, S-BGDKLL'	NICAM BGLI		78x59x50	220V	UV1316MK2/PH	See stcker in set							
29PT9015/05	215	MG2.1E AA	RC2008/01	P-BGDKI, S-BGDKLL'	NICAM BGLI Dolby		78x59x50	220V	UV1316/A I-2	See stcker in set							
29PT9015/12	215	MG2.1E AA	RC2008/01	P-BGDKI, S-BGDKLL'	NICAM BGLI Dolby		78x59x50	220V	UV1316/A I-2	See stcker in set							
29PT9015/58	215	MG2.1E AA	RC2008/01	P-BGDKI, S-BGDKLL'	NICAM BGLI Dolby		78x59x50	220V	UV1316/A I-2	See stcker in set							
29PT9055/12	215	MG2.1E AA	RC2021/01B	P-BGDKI, S-BGDKLL'	NICAM BGLI		78x59x50	220V	UV1316/A I-2	See stcker in set							
29PT9415/05	224	MG3.1E AA	RC2030/01	P-BGDKI, S-BGDKLL'	NICAM BGLI Dolby		78x59x50	220V	UV1316/A I-2	See stcker in set							
29PT9415/12	224	MG3.1E AA	RC2030/01	P-BGDKI, S-BGDKLL'	NICAM BGLI Dolby		78x59x50	220V	UV1316/A I-2	See stcker in set							
29PT9415/19	224	MG3.1E AA	RC2030/01	P-BGDKI, S-BGDKLL'	NICAM BGLI Dolby		78x59x50	220V	UV1316/A I-2	See stcker in set							

Model number survey

MODEL	STYLING	CHASSIS	RC	SYSTEM P.-PAL S.-SECAM N.-NTSC	SOUND	IMAGE	SIZE wxhxd (cm)	VOLT RANGE	TUNER	OPTION CODES						
										1	2	3	4	5	6	7
29PT9415/58	224	MG3.1E AA	RC2030/01	P-BGDKI, S-BGDKLL'	NICAM BGLI Dolby		78x59x60	220V	UV1316/A 1-2	See sticker in set						
29PT9418/58R	219	MG3.1A AA	RC2034/01B	P-BGDKI, S-BGDK, N-M/4.43	NICAM BGLI Dolby		78x59x60	160-276V	UV1316/A P-2	See sticker in set						
29PT9418/57R	219	MG3.1A AA	RC2034/01B	P-BGDKI, S-BGDK, N-M/4.43	NICAM BGLI Dolby		78x59x60	160-276V	UV1316/A P-2	See sticker in set						
29PT9418/69R	219	MG3.1A AA	RC2034/01B	P-BGDKI, S-BGDK, N-M/4.43	2CS-DK		78x59x60	160-276V	UV1316/A P-2	See sticker in set						
29PT9418/79R	219	MG3.1A AA	RC2034/01B	P-BGDKI, S-BGDK, N-M/4.43	NICAM BGLI Dolby		78x59x60	160-276V	UV1316/A P-2	See sticker in set						
29PT9418/93R	219	MG3.1A AA	RC2034/01B	P-BGDKI, S-BGDK, N-M/4.43	NICAM BGLI Dolby		78x59x60	160-276V	UV1316/A P-2	See sticker in set						
32DW6683/25	209	MD1.2E AA	RC2007/01	P-I	NICAM I		78x48x50	220-240V	U944S	See sticker in set						
32PW602/20	145	MD1.2E AA	RC7535/01	P-BG	2CS stereo		86x54x55	220V	UV916S	See sticker in set						
32PW6304/00	188	A8.0 E AA	RC2541/01	P-BG	2CS-BG		76x59x51	220-240V	PAL IEC EUR	See sticker in set						
32PW6304/20	188	A8.0 E AA	RC2541/01	P-BG	2CS-BG		76x59x51	220-240V	PAL IEC EUR	See sticker in set						
32PW6312/20	145	MD1.2E AA	RC7535/01	P-BG	2CS stereo		86x54x55	220V	UV916S	See sticker in set						
32PW6322/21	145	MD1.2E AA	RC7535/01	P-BG	2CS stereo		86x54x55	220V	UV916S	See sticker in set						
32PW6322/25	145	MD1.2E AA	RC7535/01	P-I	NICAM I		86x54x55	220V	UV944S	See sticker in set						
32PW6322/31	145	MD1.2E AA	RC7535/01	P-BG	NICAM-BG, 2 CS BG		86x54x55	220-240V	U944S	See sticker in set						
32PW6324/01	188	A8.0 E AA	RC2541/01	P-I	NICAM BGLI, 2CS BG		76x59x51	220-240V	PAL IEC EUR	See sticker in set						
32PW6324/05	188	A8.0 E AA	RC2541/01	P-I	NICAM BGLI, 2CS BG		76x59x51	220-240V	PAL IEC EUR	See sticker in set						
32PW6324/21	188	A8.0 E AA	RC2541/01	P-I	NICAM I		76x59x51	220-240V	PAL IEC EUR	See sticker in set						
32PW6322/25	145	MD1.2E AA	RC7535/01	P-I	NICAM BG DOLBY		86x54x55	220V	UV916S	See sticker in set						
32PW6515/25	205	MG1.1E AA	RC2592/01B	P-BGDKI, S-BGDKLL'	NICAM BGLI Dolby		90x56x66	220V	UV1316/A 1-2	See sticker in set						
32PW6504/12	205	MG2.1E AA	RC2020/01	P-BGDKI, S-BGDKLL'	NICAM BGLI		90x56x66	220V	UV1316/A 1-2	See sticker in set						
32PW6504/19	205	MG2.1E AA	RC2020/01	P-BGDKI, S-BGDKLL'	NICAM BGLI		90x56x66	220V	UV1316/A 1-2	See sticker in set						
32PW6505/12	207	MG2.1E AA	RC2020/01	P-BGDKI, S-BGDKLL'	NICAM BGLI		90x56x66	220V	UV1316/A 1-2	See sticker in set						
32PW6505/12S	227	MG2.1E AA	RC2020/01	P-BGDKI, S-BGDKLL'	NICAM BGLI		86x53x65	220V	UV1316/A 1-2	See sticker in set						
32PW6505/19	227	MG2.1E AA	RC2020/01	P-BGDKI, S-BGDKLL'	NICAM BGLI		86x53x65	220V	UV1316/A 1-2	See sticker in set						
32PW6505/58	227	MG2.1E AA	RC2020/01	P-BGDKI, S-BGDKLL'	NICAM BGLI		86x53x65	220V	UV1316/A 1-2	See sticker in set						
32PW6504/12	205	MG2.1E AA	RC2020/01	P-BGDKI, S-BGDKLL'	NICAM BGLI		90x56x66	220V	UV1316/A 1-2	See sticker in set						
32PW6505/12	216	MG2.1E AA	RC2020/01	P-BGDKI, S-BGDKLL'	NICAM BGLI Dolby		83x50x50	220V	UV1316/A 1-2	See sticker in set						
32PW6505/19	216	MG2.1E AA	RC2020/01	P-BGDKI, S-BGDKLL'	NICAM BGLI Dolby		93x57x60	220V	UV1316/A 1-2	See sticker in set						
32PW6505/58	216	MG2.1E AA	RC2020/01	P-BGDKI, S-BGDKLL'	NICAM BGLI Dolby		93x57x60	220V	UV1316/A 1-2	See sticker in set						
32PW6515/05	216	MG2.1E AA	RC2008/01	P-BGDKI, S-BGDKLL'	NICAM BGLI Dolby		93x57x60	220V	UV1316/A 1-2	See sticker in set						
32PW6515/12	216	MG2.1E AA	RC2008/01	P-BGDKI, S-BGDKLL'	NICAM BGLI Dolby		93x57x60	220V	UV1316/A 1-2	See sticker in set						
32PW6515/19	216	MG2.1E AA	RC2008/01	P-BGDKI, S-BGDKLL'	NICAM BGLI Dolby		93x57x60	220V	UV1316/A 1-2	See sticker in set						
32PW6523/05M	226	MG2.1E AA	RC2031/01	P-BGDKI, S-BGDKLL'	NICAM BGLI		97x55x56	220V	UV1316/A 1-2	See sticker in set						
32PW6523/12M	226	MG2.1E AA	RC2031/01	P-BGDKI, S-BGDKLL'	NICAM BGLI		97x55x56	220V	UV1316/A 1-2	See sticker in set						
32PW6523/19M	226	MG2.1E AA	RC2031/01	P-BGDKI, S-BGDKLL'	NICAM BGLI		97x55x56	220V	UV1316/A 1-2	See sticker in set						
32PW6523/25	184	MD2.25E AA	RC2009	P-BG, S-BGL, N-M	NICAM BGLI		97x55x56	220V	UV916S	See sticker in set						
32PW6523/58M	226	MG2.1E AA	RC2031/01	P-BGDKI, S-BGDKLL'	NICAM BGLI		97x55x56	220V	UV1316/A 1-2	See sticker in set						
32PW6523/75	184	MD2.25E AA	RC2009	P-BG, S-BGL, N-M	NICAM BGLI		97x55x56	220V	UV916S	See sticker in set						
32PW6523/95	184	MD2.25E AA	RC2009	P-BG, S-BGLDK, N-M	NICAM BGLI		97x55x56	220V	UV916S	See sticker in set						
32PW6525/05	229	MG3.1A AA	RC2008/01	P-BGDKI, S-BGDKLL'	NICAM BGLI Dolby		89x60x65	220V	UV1316/A 1-2	See sticker in set						
32PW6525/12	229	MG3.1A AA	RC2008/01	P-BGDKI, S-BGDKLL'	NICAM BGLI Dolby		89x60x65	220V	UV1316/A 1-2	See sticker in set						
32PW6525/19	229	MG3.1A AA	RC2008/01	P-BGDKI, S-BGDKLL'	NICAM BGLI Dolby		89x60x65	220V	UV1316/A 1-2	See sticker in set						
32PW6525/58	229	MG3.1A AA	RC2008/01	P-BGDKI, S-BGDKLL'	NICAM BGLI Dolby		89x60x65	220V	UV1316/A 1-2	See sticker in set						
32PW6534/05	184	MD2.25E AA	RC2009	P-BGLI, S-BGL	NICAM BGLI		97x55x56	220V	UV916S	See sticker in set						
32PW6534/05M	226	MG2.1E AA	RC2031/01	P-BGDKI, S-BGDKLL'	NICAM BGLI		97x55x56	220V	UV1316/A 1-2	See sticker in set						
32PW6534/12	184	MD2.25E AA	RC2009	P-BG, S-BGL, N-M	NICAM BGLI		97x55x56	220V	UV916S	See sticker in set						
32PW6534/19	184	MD2.25E AA	RC2009	P-BGDKI, S-BGDKLL'	NICAM BGLI		97x55x56	220V	UV916S	See sticker in set						
32PW6534/19M	226	MG2.1E AA	RC2031/01	P-BGDKI, S-BGDKLL'	NICAM BGLI		97x55x56	220V	UV1316/A 1-2	See sticker in set						
32PW6534/75	184	MD2.25E AA	RC2009	P-BG, S-BGL, N-M	NICAM BGLI		97x55x56	220V	UV916S	See sticker in set						
32PW6534/75M	226	MG2.1E AA	RC2031/01	P-BGDKI, S-BGDKLL'	NICAM BGLI		97x55x56	220V	UV1316/A 1-2	See sticker in set						
32PW6535/05	216	MG2.1E AA	RC2032/01	P-BGDKI, S-BGDKLL'	NICAM BGLI Dolby		93x57x60	220V	UV1316/A 1-2	See sticker in set						
32PW6535/12	216	MG2.1E AA	RC2032/01	P-BGDKI, S-BGDKLL'	NICAM BGLI Dolby		93x57x60	220V	UV1316/A 1-2	See sticker in set						

Model number survey

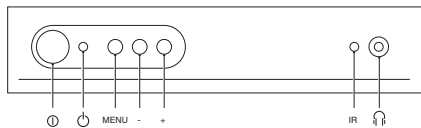
MODEL	STYLING	CHASSIS	RC	SYSTEM P...=PAL S...=SECAM N...=NTSC	SOUND	SIZE wthxd (cm)			TUNER	OPTION CODES	3	4	5	6	7
32PW9535/19	216	MG2.1E AA	RC2032/01	P-BGDKI,S-BGDKLL'	NICAM BGLI Dolby	93x57x60			UV1316/A I-2	See sticker in set					
32PW9535/58	216	MG2.1E AA	RC2032/01	P-BGDKI,S-BGDKLL'	NICAM BGLI Dolby	93x57x60			UV1316/A I-2	See sticker in set					
32PW9544/05	216	MD2.25E AA	RC2009	P-BGI,S-BGLL'	NICAM BGLI	97x55x56			UV916S	See sticker in set					
32PW9544/05M	226	MG2.1E AA	RC2031/01	P-BGDKI,S-BGDKLL'	NICAM BGLI	97x55x56			UV1316/A I-2	See sticker in set					
32PW9544/12	184	MD2.25E AA	RC2009	P-BG,S-BGL,N-M	NICAM BGLI	97x55x56			UV916S	See sticker in set					
32PW9544/12M	226	MG2.1E AA	RC2031/01	P-BGDKI,S-BGDKLL'	NICAM BGLI	97x55x56			UV1316/A I-2	See sticker in set					
32PW9544/19	184	MD2.25E AA	RC2009	P-BGI,S-BGLL'	NICAM BGLI	97x55x56			UV916S	See sticker in set					
32PW9544/19M	226	MG2.1E AA	RC2031/01	P-BGDKI,S-BGDKLL'	NICAM BGLI	97x55x56			UV1316/A I-2	See sticker in set					
32PW9544/75	184	MD2.25E AA	RC2009	P-BG,S-BGL,N-M	NICAM BGLI	97x55x56			UV916S	See sticker in set					
32PW9544/75M	226	MG2.1E AA	RC2031/01	P-BGDKI,S-BGDKLL'	NICAM BGLI	97x55x56			UV1316/A I-2	See sticker in set					
32PW9545/05	216	MG2.1E AA	RC2031/01	P-BGDKI,S-BGDKLL'	NICAM BGLI Dolby	93x57x60			UV1316/A I-2	See sticker in set					
32PW9545/12	216	MG2.1E AA	RC2031/01	P-BGDKI,S-BGDKLL'	NICAM BGLI Dolby	93x57x60			UV1316/A I-2	See sticker in set					
32PW9545/19	216	MG2.1E AA	RC2031/01	P-BGDKI,S-BGDKLL'	NICAM BGLI Dolby	93x57x60			UV1316/A I-2	See sticker in set					
32PW9545/58	225	MG3.1E AA	RC2030/01	P-BGDKI,S-BGDKLL'	NICAM BGLI Dolby	93x57x60			UV1316/A I-2	See sticker in set					
32PW9615/01	225	MG3.1E AA	RC2030/01	P-BGDKI,S-BGDKLL'	NICAM BGLI Dolby	93x57x60			UV1316/A I-2	See sticker in set					
32PW9615/05	225	MG3.1E AA	RC2030/01	P-BGDKI,S-BGDKLL'	NICAM BGLI Dolby	93x57x60			UV1316/A I-2	See sticker in set					
32PW9615/12	225	MG3.1E AA	RC2030/01	P-BGDKI,S-BGDKLL'	NICAM BGLI Dolby	93x57x60			UV1316/A I-2	See sticker in set					
32PW9615/19	225	MG3.1E AA	RC2030/01	P-BGDKI,S-BGDKLL'	NICAM BGLI Dolby	93x57x60			UV1316/A I-2	See sticker in set					
34PT15693/56E	199	A8.0A AA	RCS82D	N,N-M; P-BGDKI,S-BGDK	2CS BG, NICAM BG	88x69x57			TELE9-088A	See sticker in set	84	128	0	0	0
34PT15793/56A	199	A8.0A AA	RCS82D	P-BGDKI,S-BGDK,N-M	2CS BG STEREO	88x69x57			TELE9-088A	See sticker in set	87	128	0	0	0
34PT15793/57R	199	A8.0A AA	RCS82E	P-BGDKI,S-BGDK,N-M	NICAM DK, 2CS DK	88x69x57			TELE9-088A	See sticker in set	87	128	0	0	0
34PT15793/69R	199	A8.0A AA	RCS82D	P-BGDKI,S-BGDK,N-M	NICAM BG, 2CS BG	88x69x57			TELE9-088A	See sticker in set	87	128	0	0	0
36PW9525/05	243	MG3.1E AA	RC2008/01	P-BGDKI,S-BGDKLL'	NICAM BGLI Dolby	93x64x58			UV1316/A I-2	See sticker in set					
36PW9525/19	243	MG3.1E AA	RC2008/01	P-BGDKI,S-BGDKLL'	NICAM BGLI Dolby	93x64x58			UV1316/A I-2	See sticker in set					
36PW9525/52	243	MG3.1E AA	RC2008/01	P-BGDKI,S-BGDKLL'	NICAM BGLI Dolby	93x64x58			UV1316/A I-2	See sticker in set					
36PW9525/58	243	MG3.1E AA	RC2008/01	P-BGDKI,S-BGDKLL'	NICAM BGLI Dolby	93x64x58			UV1316/A I-2	See sticker in set					
36PW9765/01	243	MG3.1E AA	RC2033/01B	P-BGDKI,S-BGDKLL'	NICAM BGLI Dolby	93x64x58			UV1316/A I-2	See sticker in set					
36PW9765/05	243	MG3.1E AA	RC2033/01B	P-BGDKI,S-BGDKLL'	NICAM BGLI Dolby	93x64x58			UV1316/A I-2	See sticker in set					
36PW9765/12	243	MG3.1E AA	RC2033/01B	P-BGDKI,S-BGDKLL'	NICAM BGLI Dolby	93x64x58			UV1316/A I-2	See sticker in set					
36PW9765/19	243	MG3.1E AA	RC2033/01B	P-BGDKI,S-BGDKLL'	NICAM BGLI Dolby	93x64x58			UV1316/A I-2	See sticker in set					
36PW9765/58	243	MG3.1E AA	RC2033/01B	P-BGDKI,S-BGDKLL'	NICAM BGLI Dolby	93x64x58			UV1316/A I-2	See sticker in set					
37TA1263/68	239	L6.1 AA	RC8201/00	P-BGDK,S-BGDK	MONO	36x35x27			UV915E/MK3	See sticker in set					
37TA1264/18	233	L9.2E AA	RC282401/01	P-BGI,S-BGLL'	MONO	50x47x46			VHF/UHF UV1316A I-2	See sticker in set					
37TA1274/03	233	L9.2E AA	RC282401/01	P-BG	MONO	50x47x46			VHF/UHF UV1316A I-2	See sticker in set					
37TA1274/05	233	L9.2E AA	RC282401/01	P-BG	MONO	50x47x46			VHF/UHF UV1316A I-2	See sticker in set					
37TA1274/08	233	L9.2E AA	RC282401/01	P-BG	MONO	50x47x46			VHF/UHF UV1316A I-2	See sticker in set					
37TA1274/11	233	L9.2E AA	RC282401/01	P-BG	MONO	50x47x46			VHF/UHF UV1316A I-2	See sticker in set					
37TA1274/16	233	L9.2E AA	RC282401/01	P-BG	MONO	50x47x46			VHF/UHF UV1316A I-2	See sticker in set					
37TA1474/03	233	L9.2E AA	RCL9ED	P-BG	NICAM, 2CS	50x47x46			VHF/UHF UV1316A I-2	See sticker in set					
37TA1474/05	233	L9.2E AA	RCL9ED	P-BG	NICAM, 2CS	50x47x46			VHF/UHF UV1316A I-2	See sticker in set					
37TA1474/16	233	L9.2E AA	RCL9ED	P-BG	NICAM, 2CS	50x47x46			VHF/UHF UV1316A I-2	See sticker in set					
37TA1474/19	233	L9.2E AA	RCL9ED	P-BGI,S-BGLL'	NICAM, 2CS	50x47x46			VHF/UHF UV1316A I-2	See sticker in set					
37TB1254/18	233	L9.2E AA	RC282401/01	P-BGI,S-BGLL'	MONO	50x47x46			VHF/UHF UV1316A I-2	See sticker in set					
42PF9952/12S	235	FTV1.9EE AA	RC 8106/01	N-MN, PAL 4.43, SECAM	NICAM B/G, 2CS-BG	44x17x34			FC916DMF	See sticker in set					
42PF9952/19S	236	FTV1.9DE AA	RC 8106/01	N-MN, PAL 4.43, SECAM	NICAM BGLI, 2CS-BG	44x17x34			FC916DMF	See sticker in set					
42FD9932/01G	236	FTV1.9DE AA	RC0333/01	N-MN, PAL 4.43, SECAM	NICAM BGLI, 2CS-BG	44x17x34			FC916DMF	See sticker in set					
42FD9932/17G	236	FTV1.9DE AA	RC 8106/01	N-MN, PAL 4.43, SECAM	NICAM BGLI, 2CS-BG	44x17x34			FC916DMF	See sticker in set					
42FD9932/69G	236	FTV1.9DE AA	RC 8106/01	N-MN, PAL 4.43, SECAM	NICAM BGLI, 2CS-BG	44x17x34			FC916DMF	See sticker in set					
46PP9501/05	228	MG5.1E AA	RC2030/01	P-BGDKI,S-BGDKLL'	NICAM BGLI Dolby	xx			UV1316/A I-2	See sticker in set					
46PP9501/12	228	MG5.1E AA	RC2030/01	P-BGDKI,S-BGDKLL'	NICAM BGLI Dolby	xx			UV1316/A I-2	See sticker in set					
46PP9501/58	228	MG5.1E AA	RC2030/01	P-BGDKI,S-BGDKLL'	NICAM BGLI Dolby	xx			UV1316/A I-2	See sticker in set					
51TA1232/18	43	L6.1 AA	RC8201	P-BGI,S-BGLL'	MONO	50x47x48			UV915E/MK3	See sticker in set					

Model number survey

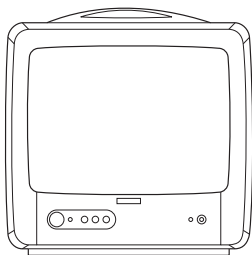
MODEL	STYLING	CHASSIS	RC	SYSTEM	SOUND	IMAGE	SIZE	VOLT RANGE	TUNER	OPTION CODES						
										1	2	3	4	5	6	7
51TA1474/03	232	L9.2E AA	RCL9ED	P-BG	NICAM, 2CS		wxhxd (cm)	100 - 250V	VHF/UHF UV1316A I-2	See sticker in set						
51TA1474/05	232	L9.2E AA	RCL9ED	P-I	NICAM, 2CS		50x47x46	100 - 250V	VHF/UHF UV1316A I-2	See sticker in set						
51TA1474/11	232	L9.2E AA	RCL9ED	P-BG	NICAM, 2CS		50x47x46	100 - 250V	VHF/UHF UV1316A I-2	See sticker in set						
51TA1474/16	232	L9.2E AA	RCL9ED	P-BG	NICAM, 2CS		50x47x46	100 - 250V	VHF/UHF UV1316A I-2	See sticker in set						
51TB1454/19	232	L9.2E AA	RCL9ED	P-BG, S-BGLL'	MONO		50x47x46	100 - 250V	VHF/UHF UV1316A I-2	See sticker in set						
51TB1454/19	232	L9.2E AA	RCL9ED	P-BG, S-BGLL'	MONO		50x47x46	100 - 250V	VHF/UHF UV1316A I-2	See sticker in set						
52TA1464/18	232	L9.2E AA	RCL9ED	P-BG, S-BGLL'	MONO		50x47x46	100 - 250V	VHF/UHF UV1316A I-2	See sticker in set						
52TA1474/03	232	L9.2E AA	RCL9ED	P-BG	NICAM, 2CS		50x47x46	100 - 250V	VHF/UHF UV1316A I-2	See sticker in set						
52TA1474/11	232	L9.2E AA	RCL9ED	P-BG	NICAM, 2CS		50x47x46	100 - 250V	VHF/UHF UV1316A I-2	See sticker in set						
52TA1474/16	232	L9.2E AA	RCL9ED	P-BG, S-BGLL'	NICAM, 2CS		50x47x46	100 - 250V	VHF/UHF UV1316A I-2	See sticker in set						
52TA1474/18	232	L9.2E AA	RCL9ED	P-BG, S-BGLL'	NICAM, 2CS		50x47x46	100 - 250V	VHF/UHF UV1316A I-2	See sticker in set						
52TA4415/03	218a	L9.2E AA	RCL9ED	P-BG	NICAM, 2CS		55x47x50	100 - 250V	VHF/UHF UV1316A I-2	See sticker in set						
52TA4415/11	218a	L9.2E AA	RCL9ED	P-BG, S-BGLL'	NICAM, 2CS		55x47x50	100 - 250V	VHF/UHF UV1316A I-2	See sticker in set						
52TA5215/18R	187	A8.0 E AA	RC2541/00	P-BG, S-BGLL'	NICAM BGLI		76x59x51	220-240V	PAL IEC EUR	See sticker in set						
52TB1454/19	232	L9.2E AA	RCL9ED	P-BG, S-BGLL'	MONO		50x47x46	100 - 250V	VHF/UHF UV1316A I-2	See sticker in set						
52TB4395/19	218a	L9.2E AA	RCL9ED	P-BG, S-BGLL'	NICAM, STEREO		xx	220V	UV1316/A I-2	See sticker in set						
55PP9501/05	228	MG5.1E AA	RC2030/01	P-BGDKI, S-BGDKLL'	NICAM BGLI Dolby		xx	220V	UV1316/A I-2	See sticker in set						
55PP9501/12	228	MG5.1E AA	RC2030/01	P-BGDKI, S-BGDKLL'	NICAM BGLI Dolby		xx	220V	UV1316/A I-2	See sticker in set						
55PP9501/58	228	MG5.1E AA	RC2030/01	P-BGDKI, S-BGDKLL'	NICAM BGLI Dolby		xx	220V	UV1316/A I-2	See sticker in set						
63TA4415/03	223	L9.1E AA	RCL9ED	P-BG	NICAM, 2CS		76x51x58	90 - 276V	TUN V-UJ PLL IEC BG	See sticker in set						
63TA4415/11	223	L9.1E AA	RCL9ED	P-BG, S-BGLL'	NICAM, STEREO		76x51x58	90 - 276V	TUN V-UJ PLL IEC BG	See sticker in set						
63TA4415/18	223	L9.1E AA	RCL9ED	P-BG, S-BGLL'	NICAM, STEREO		76x51x58	90 - 276V	TUN V-UJ PLL IEC BG	See sticker in set						
63TA5214/11R	187	A8.0 E AA	RC2541/00	P-BG, S-BGDKLL'	NICAM BGLI, 2CS BG		76x59x51	220-240V	PAL IEC EUR	See sticker in set						
63TB4395/19	223	L9.1E AA	RCL9ED	P-BG	NICAM, 2CS		76x51x58	90 - 276V	TUN V-UJ PLL IEC BG	See sticker in set						
70TA4415/03	223	L9.1E AA	RCL9ED	P-BG	NICAM, 2CS		76x51x58	90 - 276V	TUN V-UJ PLL IEC BG	See sticker in set						
70TA4415/11	223	L9.1E AA	RCL9ED	P-BG	NICAM, STEREO		76x51x58	90 - 276V	TUN V-UJ PLL IEC BG	See sticker in set						
70TA7214/03	204	MG2.1E AA	RC2592/00	P-BGDKI, S-BGDKLL'	NICAM BGLI		77x59x50	220V	UV1316/A I-2	See sticker in set						
70TA7214/11	204	MG2.1E AA	RC2592/00	P-BGDKI, S-BGDKLL'	NICAM BGLI		77x59x50	220V	UV1316/A I-2	See sticker in set						
70TA7214/18	204	MG2.1E AA	RC2592/00	P-BGDKI, S-BGDKLL'	NICAM BGLI		77x59x50	220V	UV1316/A I-2	See sticker in set						
70TB4395/19	223	L9.1E AA	RCL9ED	P-BG, S-BGLL'	NICAM, STEREO		76x51x58	90 - 276V	TUN V-UJ PLL IEC BG	See sticker in set						
70WA6214/03	188	A8.0 E AA	RC2541/01	P-BG	NICAM, STEREO		81x50x52	220V	TELE9-087A	See sticker in set						
70WA6214/11	188	A8.0 E AA	RC2541/01	P-BG, S-BGLL'	NICAM BGLI, 2CS		81x50x52	220V	TELE9-087A	See sticker in set						
70WA6214/18	188	A8.0 E AA	RC2541/01	P-BG, S-BGLL'	NICAM BGLI, 2CS		81x50x52	220V	TELE9-087A	See sticker in set						
70WA8414/03	205	MG2.1E AA	RC2592/00	P-BGDKI, S-BGDKLL'	NICAM BGLI		81x51x50	220V	UV1316/A I-2	See sticker in set						
70WA8414/11	205	MG2.1E AA	RC2592/00	P-BGDKI, S-BGDKLL'	NICAM BGLI		81x51x50	220V	UV1316/A I-2	See sticker in set						
70WA8414/18	205	MG2.1E AA	RC2592/00	P-BGDKI, S-BGDKLL'	NICAM BGLI		81x51x50	220V	UV1316/A I-2	See sticker in set						
70WB6194/19	187	A8.0 E AA	RC2541/01	P-BG, S-BGLL'	NICAM BGLI, 2CS		81x50x52	220V	TELE9-087A	See sticker in set						
70WA5214/11R	188	A8.0 E AA	RC2541/01	P-BGDKI, S-BGDKLL'	NICAM BGLI, 2CS BG		76x59x51	220-240V	PAL IEC EUR	See sticker in set						
82WA6213/38	145	MD1.2E AA	RC7535/00	P-BG, S-BGLL'	NICAM BGLI		86x54x55	220V	UV916S	See sticker in set						
82WA6214/18	188	A8.0 E AA	RC2541/01	P-BGDKI, S-BGDKLL'	NICAM, 2CS		76x59x51	220-240V	PAL IEC EUR	See sticker in set						
82WA8414/03	205	MG2.1E AA	RC2592/00	P-BGDKI, S-BGDKLL'	NICAM BGLI		90x56x56	220V	UV1316/A I-2	See sticker in set						
82WA8414/11	205	MG2.1E AA	RC2592/00	P-BGDKI, S-BGDKLL'	NICAM BGLI		90x56x56	220V	UV1316/A I-2	See sticker in set						
82WA8414/18	205	MG2.1E AA	RC2592/00	P-BGDKI, S-BGDKLL'	NICAM BGLI		90x56x56	220V	UV1316/A I-2	See sticker in set						
82WB6193/39	145	MD1.2E AA	RC7535/01	P-BG, S-BGLL'	NICAM BGLI		86x54x55	220V	UV916S	See sticker in set						

Personal Notes

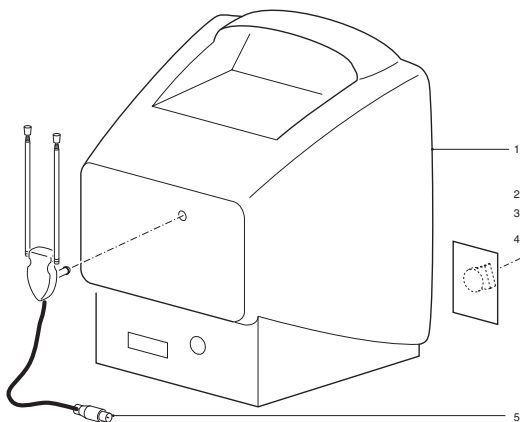
STYLING 39



CL 36532126/014
020993



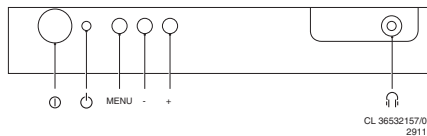
CL 36532126/015
030993



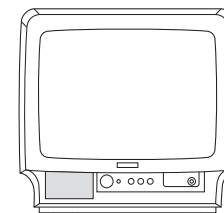
CL 36532126/012
020993

1a	4822 438 10441	Rear cover	15	4822 492 32656	Spring behind mains knob
1b	4822 438 10487	Rear cover	16	4822 404 31326	PWB guide right
1cf	4822 442 00674	Rear cover		4822 321 10814	Mains cord
1e	4822 426 10673	Rear cover GREEN		4822 290 60626	2 Pins female connector for mains cord
2	4822 458 30659	Grill		4822 321 10885	Mains cord for -/00/15
2e	4822 458 10637	Grill GREEN		4822 321 11103	Mains cord for -/05/07
3	4822 240 30583	Loudspeaker		4822 404 31291	Bracket for mains cord
4	4822 492 71439	Spring for loudspeaker		4822 131 20316	Picture tube A34EAC01X45
5a	4822 303 50077	Aerial assy 2 rod		4822 131 11084	Picture tube A34EAC01X15
5bcde	4822 303 50085	Aerial assy 1 rod		4822 131 11357	Picture tube A34AGT11X91
5	4822 303 30451	Aerial for -/05/25			
5f	4822 303 50085	Aerial	a:	14PT135A/14PT155A (Anubis A)	
6	4822 432 93186	EHT cover plate	b:	14PT135B/14PT155B (AA5)	
7	4822 430 10468	Cabinet	c:	14PT1352 (L6)	
7cdf	4822 449 80104	Cabinet	d:	14PT1552(L6)	
			e:	14PT1372(L6)	
			f:	14PT1552/58	
7e	4822 449 80271	Cabinet GREEN			
8	4822 502 30739	CRT screw			
8cde	4822 502 14398	CRT screw			
9	4822 404 31325	Bracket fix. deg. coil (4x)			
10	4822 381 11453	Lens for RC-receiver			
10e	4822 381 11627	Lens for RC-receiver			
11	4822 157 70585	Degaussing coil			
11cde	4822 157 11118	Degaussing coil			
12	4822 381 11452	Lens for LED			
13	4822 410 11891	Control knob frame			
14	4822 410 62957	Mains knob			
14de	4822 410 11889	Mains knob GREEN			

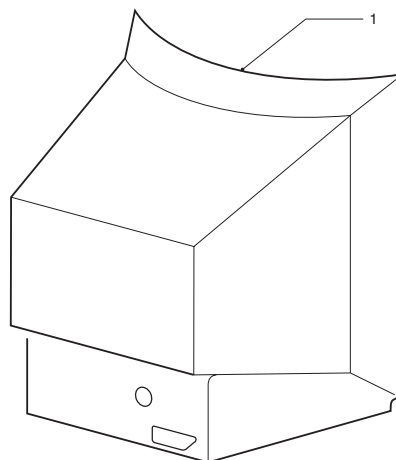
STYLING 43



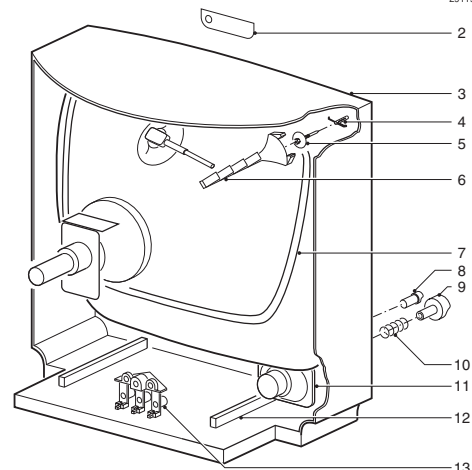
CL 36532157/011
291193



CL 36532157/012
291193

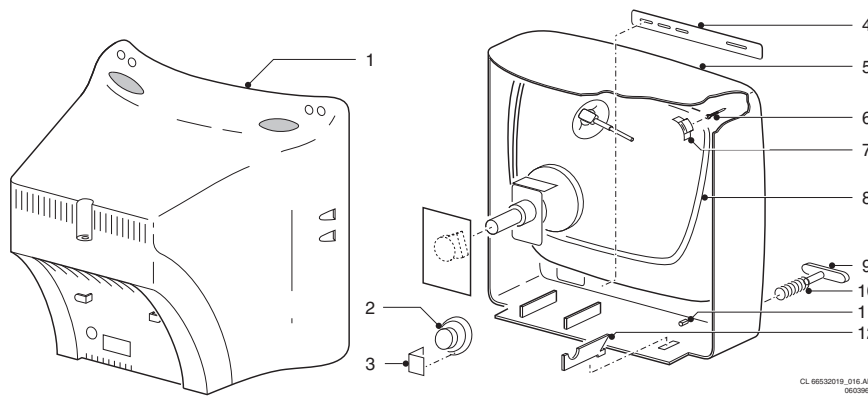
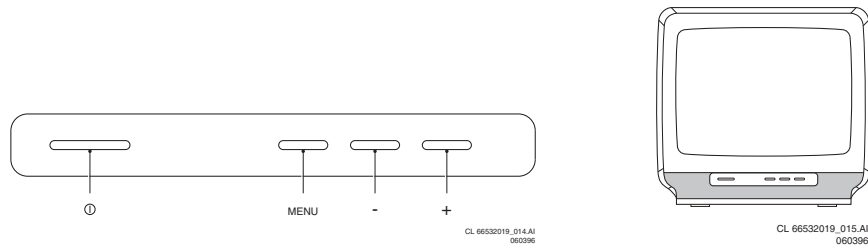


CL 36532157/013
291193



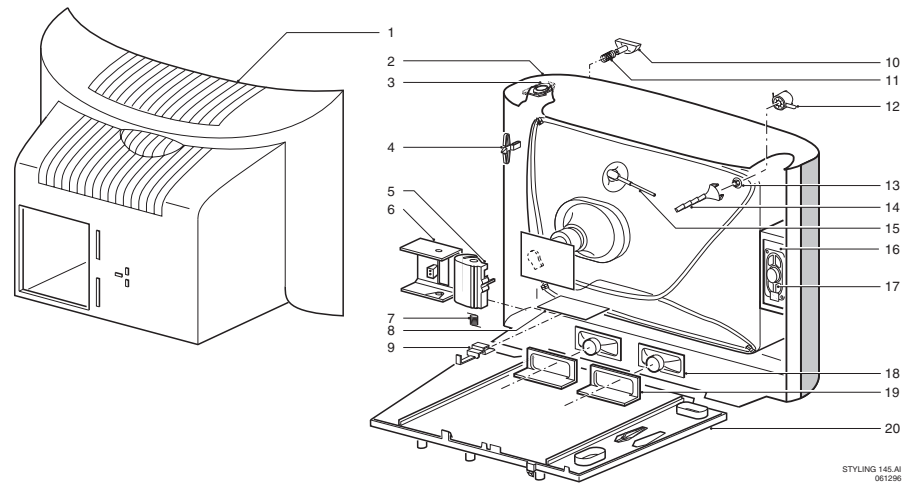
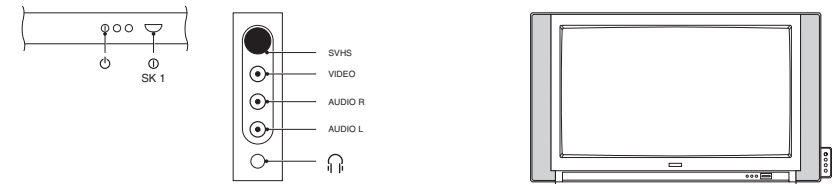
1a	4822 438 20257	Rear cover	11	4822 240 20294	Loudspeaker
1bc	4822 438 10484	Rear cover	12	4822 462 30557	PWB guide (right)
1de	4822 426 10221	Rear cover	12f	3111 254 24011	PWB guide (right)
1f	3111 254 23381	Rear cover	13	4822 410 63049	Control knob frame
2	4822 432 93216	Front cover	13f	3119 104 25511	Control knob frame
2f	3111 254 23401	Window no HP		4822 321 10814	Mains cord
3	4822 430 30265	Cabinet		4822 290 60626	2 Pins female connector for mains cord
3c	4822 430 30281	Cabinet		4822 321 10885	Mains cord for -/00/03/08/16/19
3d	4822 449 80092	Cabinet		4822 321 11103	Mains cord for -/05/07/25
3e	4822 449 80108	Cabinet	f	4822 321 10814	Mains cord
3f	3111 254 07981	Cabinet		4822 403 70874	Teletext bracket
4	4822 532 52543	CRT insert		4822 459 11157	Wordmark PHILIPS
4f	3119 104 24981	CRT insert		4822 131 20605	Picture tube A48EEV13X31
5	4822 502 30736	CRT screw		4822 131 20652	Picture tube A48ECR11X19
5f	3119 100 42081	CRT screw		4822 131 11114	Picture tube A48ECR31X19
6	4822 404 31346	Bracket fix. deg. coil (4x)		4822 131 20353	Picture tube A51-441X
	4822 404 30839	Bracket fix. deg. coil for deg. coil 4822 157 71258 and 4822 157 10375		4822 131 11314	Picture tube A48ECR141X18
6f	3111 254 23481	Bracket fix. Deg coil	f	9322 136 38682	Picture tube A48ECR143X18
7	4822 157 52155	Degaussing coil		4822 402 10177	Bracket L6 chassis
	4822 157 71258	Degaussing coil for A48ECR11X19 and A48ECR31X19	f	4822 463 11069	Chassis guide L6
7cde	4822 157 10375	Degaussing coil	f	3111 254 23322	Chassis bracket
7f	3128 138 60441	Degaussing coil	a:	for 20PT135A/20PT155A/51TA1260 (Anubis A)	
8	4822 381 11466	Lens for LED	b:	for 20PT135B/20PT155B/51TA1171/51TA1471 (AA5)	
8f	3119 104 25481	Lens for LED	c:	for 51TB1151/19	
9	4822 410 63052	Mains knob	d:	for 20PT1352/—/20PT1552/—	
9d	4822 410 63049	Mains knob	e:	for 51TA1472/—/51TB1222	
9f	3119 104 25501	Mains knob	f:	for 51TA1232/18	
10	4822 492 32656	Spring behind mains knob			

STYLING 119



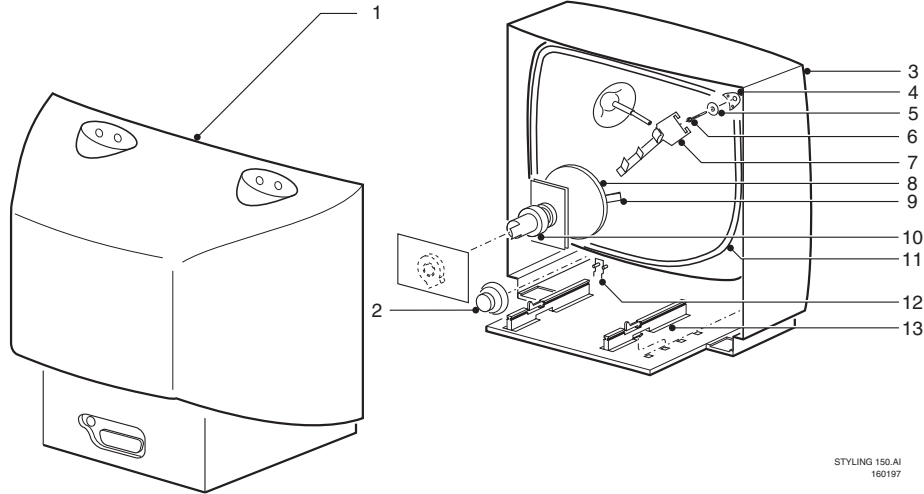
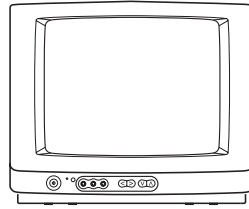
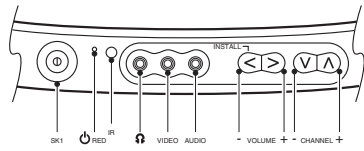
1	4822 426 10106	Rear cover 14"	4822 157 11129	Degaussing coil for
1ab	4822 426 10693	Rear cover 14"		A51EAL135X15
	4822 426 10104	Rear cover 21"	9	4822 410 10342
	4822 426 10105	Rear cover 20"	10	Not applicable
2	4822 240 10105	Loudspeaker 25Ω 1W	11	Not applicable
3	4822 402 10181	Bracket for fixation	12	4822 464 10096
4	4822 454 13033	Window 14"		4822 321 10814
	4822 381 11708	Window 20"	abd	4822 321 11367
cdh	4822 426 10103	Window 21"		4822 321 11103
g	3111 254 08101	Window		4822 402 10179
5	4822 449 80046	Cabinet 14"		4822 131 11084
5a	4822 449 80277	Cabinet 14"		4822 131 11087
5b	4822 449 80276	Cabinet 14"		4822 131 20652
c	4822 449 80046	Cabinet		4822 131 11114
d	4822 449 80258	Cabinet 21" for /07		4822 131 11357
	4822 449 80043	Cabinet 21"		4822 532 52543
	4822 449 80045	Cabinet 20"		4822 402 10179
	4822 449 80044	Cabinet 20" for /05		4822 462 10686
e	4822 449 80129	Cabinet		4822 303 30491
	4822 449 80124	Cabinet for 52TB2452/19		4822 303 91283
g	3111 254 23231	Cabinet		4822 464 10356
h	3111 254 09551	Cabinet		4822 402 10181
6	4822 502 30739	Screw CRT 14"		4822 462 10682
	4822 502 30736	Screw CRT		
7	4822 462 10682	CRT protection 14"	a:	only for 1445RS (Comet)
	4822 404 30945	Bracket fixing deg. coil 21"	b:	only for 1465TS (Comet)
	4822 404 30839	Bracket fixing deg. coil 20"	c:	37TA1462
8	4822 157 10415	Degaussing coil 14"	d:	37TA1262
8abc	4822 157 11118	Degaussing coil 14"	e:	52TA2472
	4822 157 10375	Degaussing coil	f:	37TA1462/03
	4822 157 71258	Degaussing coil for 48ECR31X19	g:	37TA1263/58
		Degaussing coil for A34EAC01X15	h:	21PT2563/11

STYLING 145



1	4822 426 10355	Rear cover	18a	4822 240 20338	Center speaker (2x)
2a	4822 449 80122	Cabinet (with center speakers)	19a	4822 402 10362	Center speaker bracket (2x)
		Cabinet	20a	4822 442 00761	Bottom plate
2b	4822 449 80116	Cabinet	20b	4822 432 11287	Bottom plate
3	4822 410 63947	Knob frame controls		4822 445 10502	Subwoofer box
	4822 410 63948	Menu knob	a	4822 240 10174	Surround sound box (2x)
			a	4822 402 10363	Bracket Surround Sound
	4822 402 10171	Bracket for top controls			Panel Dolby
	4822 462 10683	Prot. plate for top controls		4822 466 70798	Light guide
4	4822 402 10198	Bracket fix rear cover		4822 529 10347	Shock absorber (8x) on back cover
5	4822 402 10146	Toblerone		4822 417 50252	Locking unit
6	4822 402 10145	Holder for toblerone		4822 492 11341	Spring locking unit
7	Not present			4822 131 11215	Picture tube W76ESF031X14
8	4822 432 93422	Protection plate	c	9322 138 98682	Picture tube W76EGV023X115
9	4822 417 11262	Locking unit for mains switch	d		Degaussing coil
10	4822 410 63946	Mains knob		4822 157 71846	Wordmark
11	Not present			4822 459 11161	
	4822 276 13592	Mains switch			
	4822 417 11262	Locking unit mains switch	a:	32PW6312,32PW6332, 82WA6213	
12	4822 404 31294	Picture tube insert	b:	32PW6302, 32PW6322	
13	4822 502 21359	Picture tube screw	c:	/00, /01, /05, /11, /18, /19	
14	4822 404 31289	Bracket fix degaussing coil (long / right)	d:	/20, /21, /25, /31, /38, /39	
			b:		
14	4822 403 70906	Bracket fix degaussing coil (short / left)			
	4822 404 31341	Degaussing coil clamp			
15	4822 320 20238	EHT cable			
16	4822 402 10614	Squeeter bracket (2x)			
17a	4822 240 10106	Squeeter box (2x)			

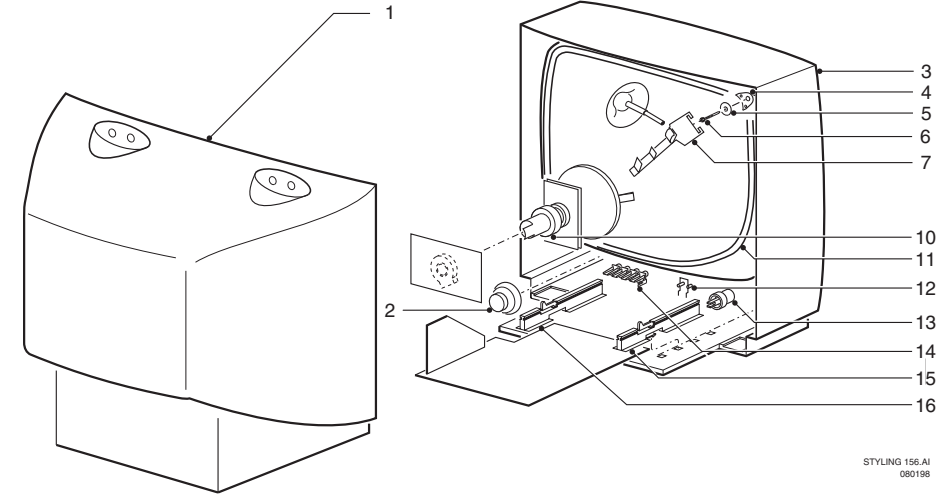
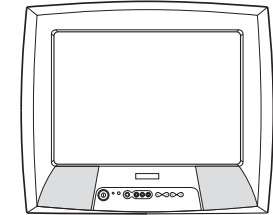
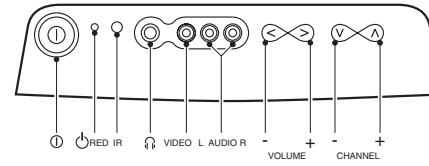
STYLING 150



STYLING 150.A1
160197

1ab	4822 426 10357	Rear cover 14"	11	4822 157 10664	Degaussing coil for 14PT132A
1c	4822 426 10352	Rear cover 14"			
1d	4822 426 10353	Rear cover 20"	11	4822 157 10665	Degaussing coil 20"
1e	4822 426 10347	Rear cover 20"	12	4822 410 10932	Mains knob
2	4822 240 10186	Loudspeaker 14"	13	4822 463 11125	Chassis guide left
				4822 463 11126	Chassis guide right
2	4822 240 10187	Loudspeaker 20"			
3a	4822 449 80117	Cabinet 14"		4822 466 11424	Light guide
3b	4822 449 80118	Cabinet 14"		4822 131 20219	Picture tube A34JFQ40X
3c	4822 449 80114	Cabinet 14"		4822 131 11106	Picture tube A48KXR98X
3d	4822 449 80115	Cabinet 20"		4822 459 13196	Wordmark PHILIPS 14"
				4822 459 13197	Wordmark PHILIPS 20"
3e	4822 449 80112	Cabinet 20"			
4	4822 404 31025	Bracket for 14"		4822 410 10931	Control knob 14"
	4822 404 31434	Plastic clamp		4822 410 10933	Control knob 20"
5	Not applicable			4822 466 11453	Mains cord block for 14PT118A and 20PT118A
6	Not applicable			4822 303 14049	Aerial (Rod Antenna) for 14"
7	4822 532 12743	Tube spacer for 14"	a:	14PT118A/75R	
7	4822 532 12744	Tube spacer for 20"	b:	14PT118A/...	
8	4822 150 10344	Deflection unit for 14PT118A	c:	14PT132A, 14PT138A	
8	4822 150 10335	Deflection unit for 20"	d:	20PT118A	
8	4822 157 71148	Deflection yoke for 14PT132A and 14PT138A	e:	20PT138A	
9	Not applicable				
10	4822 526 10663	Multipole 14"			
10	4822 532 70308	Multipole 20"			
11	4822 157 10662	Degaussing coil for 14PT118A and 14PT138A			

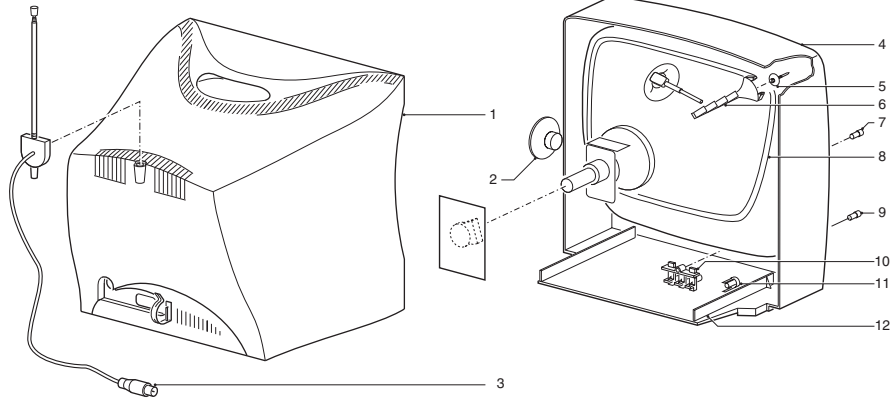
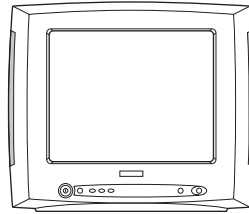
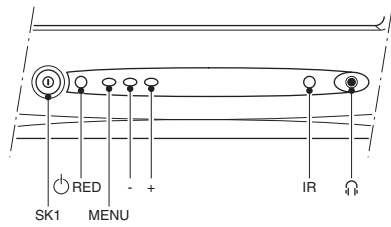
STYLING 156



STYLING 156.A1
080198

1ad	4822 426 10489	Rear cover (NAV)	11	4822 157 11165	Degaussing coil 20" (single voltage)
1b	4822 426 10347	Rear cover (4AV)			
1c	3139 127 84780	Rear cover (4AV)	11d	4822 157 11333	Degaussing coil 20" (multi voltage -/70B only)
1e	4822 426 10567	Rear cover (6AV)			
2acd	4822 240 10252	Loudspeaker (8Ω)	12acd	4822 380 10207	Light guide
			12b	4822 466 11424	Light guide
			13	4822 410 10932	Power button
2b	4822 240 10187	Loudspeaker (16Ω/6W)	14ace	4822 410 11547	Operating buttons
2e	4822 240 10186	Loudspeaker (16Ω/4W)	14b	4822 410 10933	Operating buttons
3a	4822 449 80182	Cabinet (HP+2AV)	15acde	4822 463 11148	Chassis guide (VO)
3a	4822 449 80219	Cabinet (HP+2AV -/71R only)	16acde	4822 463 11149	Chassis guide (HB)
3b	4822 449 80214	Cabinet (HP+2AVP)	16b	4822 463 11126	Chassis guide (HB)
3c	4822 449 80219	Cabinet (HP+2AV)			
3d	4822 449 80174	Cabinet (HP+2AV)	ce	4822 303 14049	Rod antenna
3d	4822 449 80184	Cabinet (HP+2AV), only -/50B /70B	d	4822 303 14048	Rod antenna F-type (-/71 only)
3e	4822 449 80197	Cabinet (HP+3AV), only -/97	ace	4822 131 11203	CRT 51OUFB22-TC69 (DPY)
3e	4822 449 80218	Cabinet (HP+3AV)	b	4822 131 20477	CRT A48JRK10X
			d	4822 131 11106	CRT A48KXR98X (only -/50B/59S/70B)
4d	4822 532 12828	Tube spacer 2.5mm			
4d	4822 523 12875	Tube spacer 3.9mm (-/50B only)	bd	4822 157 63677	Deflection coil
5+6	4822 502 14508	Spindle with ring	d	4822 150 10335	Deflection coil (only -/50)
7a	4822 404 30904	EHT cable fixation		4822 454 13197	Wordmark
7bcd	4822 404 30901	Bracket fix. Deg. coil.	bcde	4822 466 11453	Mains cord block
10a	4822 532 70308	Multi pole			
10bcde	4822 532 70308	Multipole unit	a:	20PT2382	
10d	4822 526 10663	Multipole unit (-/67R only)	b:	20PT1382	
11	4822 157 11136	Degaussing coil 20" multi voltage)	c:	20PT2322	
			d:	20PT2381	
			e:	20PT2682	

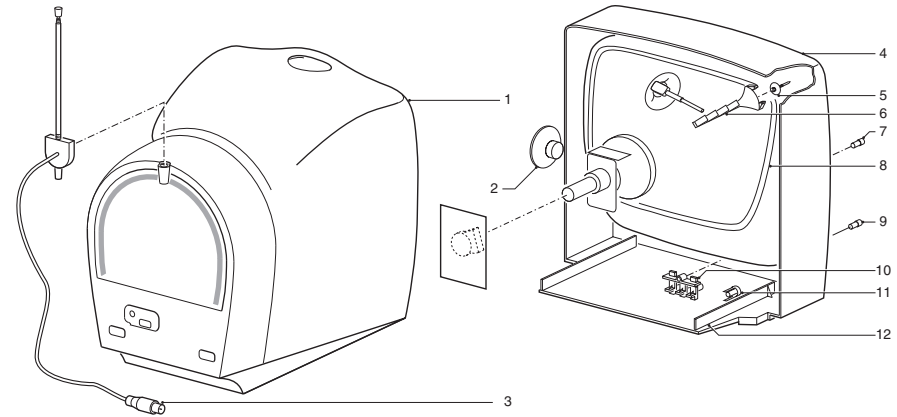
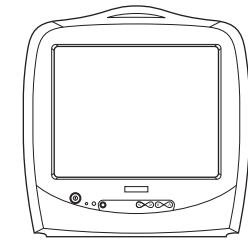
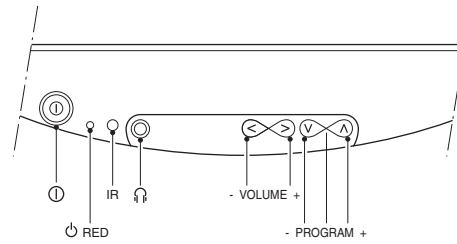
STYLING 158



STYLING 158.A1
020297

1	4822 426 10469	Rear cover	5a	3119 100 42091	CRT screw
1b	4822 426 10592	Rear cover for /11W version	6	3111 254 23481	Clamp
1ab	3111 254 09420	Rear cover metallic blue	7	4822 381 11888	IR Lens
1ab	3111 254 09400	Rear cover champagne	7a	3111 254 22061	IR lens
1ab	3111 254 09380	Rear cover medium green	8	4822 157 11118	Degaussing coil
1ab	4822 426 10692	Rear cover silver	9	3111 254 22051	STBY lens
1b	3111 254 09420	Rear cover metallic blue	10	4822 464 10326	Knob frame
1b	3111 254 09480	Rear cover bronze	10ab	3111 254 09342	Knob frame silver
1c	4822 426 10568	Rear cover	11	4822 410 11213	Mains knob
1d	3111 257 55260	Rear cover ice blue	11b	3111 254 09332	Mains knob
2	4822 240 10237	Loudspeaker		4822 492 32656	Spring for mains knob
2c	4822 240 10105	Loudspeaker	12	4822 463 11146	Right PCB guide
3	4822 303 30491	Aerial	12a	3119 104 27301	Right PCB guide
3	4822 303 91283	Aerial for /05 version	13	3111 254 22021	Cover plate
3a	3119 108 68281	Single rod aerial	14	3111 254 23322	Chassis bracket
4a	4822 449 80167	Cabinet		4822 321 10814	Mains cord
4b	4822 449 80222	Cabinet		2422 070 98119	Mains cord grey
4b	4822 449 80224	Cabinet white		4822 321 11367	Mains cord for /05/07 version
4ab	3111 254 09410	Cabinet metallic blue		4822 131 11084	Picture tube A34EAC01X15
4ab	3111 254 09390	Cabinet champagne		4822 131 11357	Picture tube A34AGT11X91
4ab	3111 254 09370	Cabinet medium green	a:	14PT1563/..	
4ab	3111 257 54540	Cabinet silver	b:	14PT1363/..	
4b	3111 254 09470	Cabinet silver champagne	c:	14PT2663/.. and 14PT2683/..	
4b	3111 254 09460	Cabinet bronze	d:	14PT2694/..	
4c	4822 449 80198	Cabinet			
4d	3111 254 09350	Cabinet ice blue			
5	4822 502 13712	CRT screw			

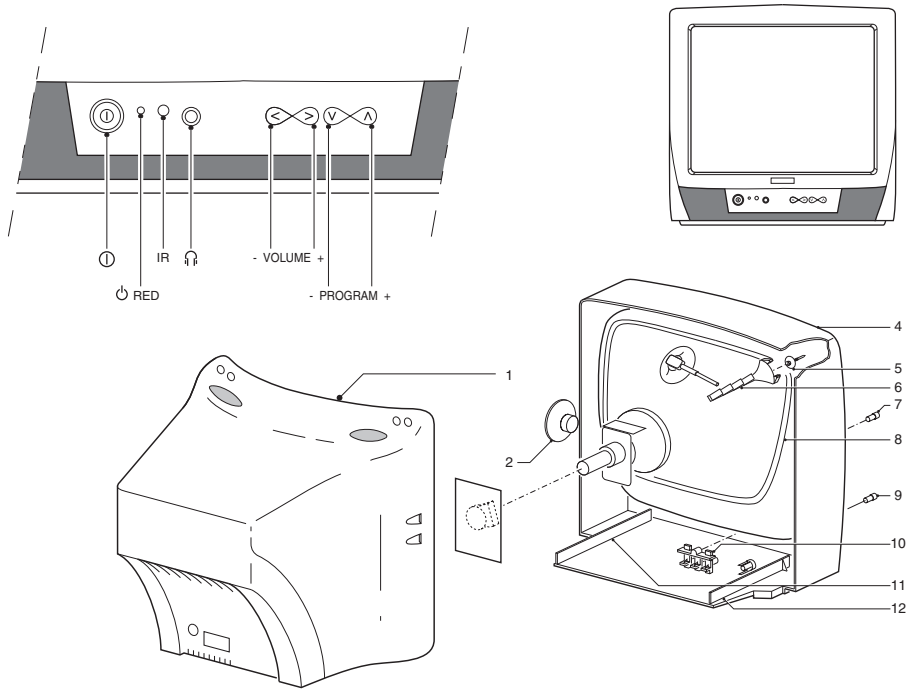
STYLING 159



Styling 159.A1
020297

1	4822 426 10554	Rear cover	7	4822 380 10218	Light guide
1a	4822 426 10805	Rear cover	8	4822 157 11118	Degaussing coil
1b	3111 254 23311	Rear cover blue	9	4822 380 10218	Light guide
1bc	3111 254 23301	Rear cover champagne	10	4822 410 11476	Control knobs
1bc	3111 254 23291	Rear cover silver	10bc	3111 254 09281	Control knobs silver
1b	3111 254 24581	Rear cover medium green	10b	3111 254 22391	Control knobs
1bc	3111 254 24641	Rear cover orange	11	4822 410 11477	Mains knob
1b	3111 254 24571	Rear cover bronze	11b	3111 254 09271	Mains knob silver
1c	3111 254 24651	Rear cover light green		4822 492 32656	Mains knob spring
2	4822 240 10105	Loudspeaker (25Ω)		3111 254 22421	Mains switch interface bracket
3	4822 303 30491	Aerial	12	4822 463 11164	Right PCB guide
3c	3119 108 68281	Aerial (single rod)	12c	3111 254 22361	Right PCB guide
4	4822 449 80189	Cabinet		3111 254 22371	Left PCB guide
4a	4822 449 80324	Cabinet		4822 463 11165	Left PCB guide
4b	3111 254 09301	Cabinet metallic blue		4822 402 10881	Chassis bracket
4bc	3111 254 09291	Cabinet champagne	c	3111 254 22412	Chassis bracket
4b	3111 257 55401	Cabinet new silver		3111 254 23772	HP fixation
4b	3111 254 09321	Cabinet medium green		4822 321 10814	Mains cord
4bc	3111 254 09431	Cabinet silver champagne		4822 321 11367	Mains cord for /02 and /05 version
4bc	3111 254 09311	Cabinet bronze		4822 454 13196	Wordmark
4c	3111 254 09441	Cabinet light green		3111 250 00441	Light green wordmark
4c	3111 254 09291	Cabinet champagne		4822 131 11084	Picture tube A34EAC01X15
4c	3111 257 55401	Cabinet silver		4822 131 11357	Picture tube A34AGT11X91
5	4822 502 13712	Screw, steel			
5c	3119 100 42091	CRT screw	a:	for 14PT1373	
			b:	for 14PT1374	
6	4822 402 10181	Bracket	c:	for 14PT1574	
6c	3111 254 23481	Bracket			

STYLING 183

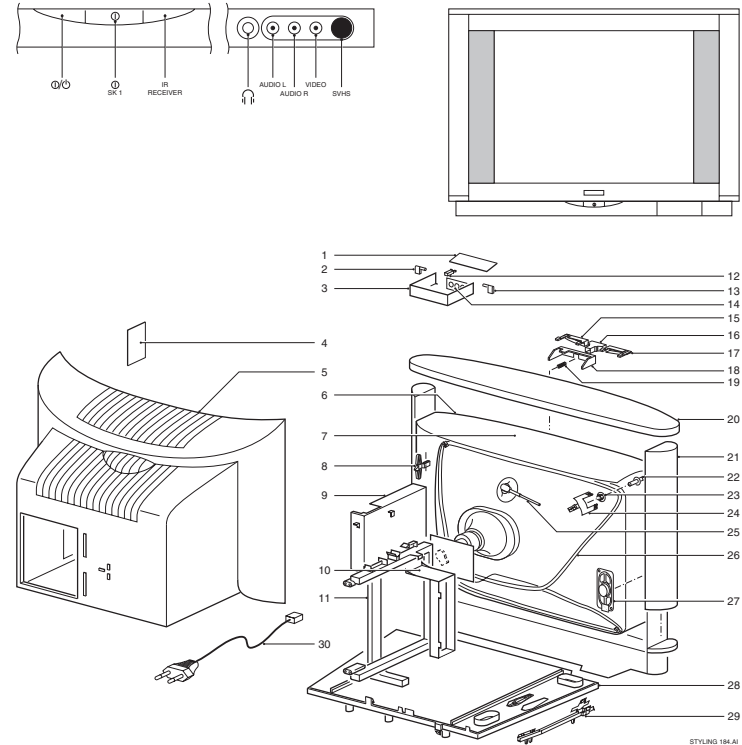


STYLING 183AJ
011097

1	4822 426 10556	Rear cover
1abc	4822 426 10587	Rear cover
2	4822 240 10259	Loudspeaker
3	Not present	Aerial
4	4822 449 80192	Cabinet for mono versions
4	4822 449 80194	Cabinet for stereo versions
4	4822 449 80202	Cabinet for /05 version mono
4bc	4822 449 80221	Cabinet
5	4822 502 13712	Screw, steel
6	4822 402 10181	Bracket
7	4822 380 10221	Light guide
8	4822 157 11129	Degaussing coil
9	4822 410 11481	Push button, mains knob
10	4822 410 11479	Knob (control)
11	4822 463 11167	Left PCB guide
12	4822 463 11166	Right PCB guide
	4822 402 10881	Chassis bracket
	4822 321 10814	Mains cord
b/d	4822 276 13603	Mains switch
a	4822 410 11481	Mains knob
	4822 404 31291	Bracket for mains cord
	4822 459 11157	Wordmark
	4822 131 11105	Picture tube A51EAL155X47
	4822 131 11295	Picture tube A51EFK155X47

a:	21PT4304/..
b:	21PT4324/..
c:	52TA4314/..
d:	21PT1353/21PT1653

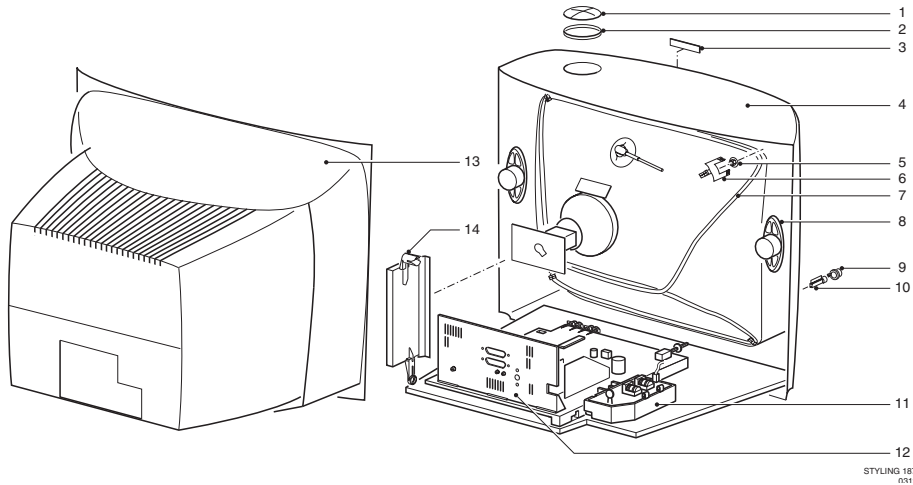
STYLING 184



STYLING 184AJ
021097

1	4822 443 10878	Door 32PW9523	22	4822 502 21359	CRT bolt
1	4822 443 11074	Door 32PW9534	23	4822 404 31294	CRT fixation VP19100
1	4822 443 11075	Door 32PW9544	24	4822 404 31289	Bracket fix degaussing coil (2x)
2	4822 417 11339	Hinge right	24	4822 403 70906	Bracket fix degaussing coil (2x)
3	4822 256 10244	Holder for controls	25	4822 320 20238	EHT cable
4	4822 466 11774	Blind plate for rear cover 32PW9523	26	4822 157 71846	Degaussing coil
4	4822 466 12061	Blind plate for rear cover 32PW9534	27a	4822 240 10106	Squeeter (10x)
4	4822 466 12063	Blind plate for rear cover 32PW9544	27b	4822 240 10321	Squeeter (10x2)
5	4822 426 10578	Back cover 32PW9523	28	4822 442 00394	Bottom plate
5	4822 426 10731	Back cover 32PW9534	29	4822 404 31291	Holder for mains cord
5	4822 426 10732	Back cover 32PW9544	30a	4822 321 10736	Mains cord
6	4822 241 00014	Cloth	30b	4822 321 11433	Mains cord
7	4822 449 80205	Cabinet 32PW9523	30a	4822 321 11239	Mains cord UK
7	4822 449 80282	Cabinet 32PW9534	30b	4822 321 11434	Mains cord UK
7	4822 449 80283	Cabinet 32PW9544	30c	4622 004 50021	Mains cord -75
8	4822 402 10198	Bracket fix rear cover	a	4822 445 10502	Subwoofer box
9	4822 402 10168	Frame for mains filter	b	4822 445 10783	Subwoofer box
10	4822 402 10657	Holder for FBX		4822 459 11163	Wordmark "Philips" 32PW9523
11	4822 256 92347	Frame for SSP		4822 454 13398	Wordmark "Philips" 32PW9534
12	4822 417 50258	Locking mechanism		4822 454 13399	Wordmark "Philips" 32PW9544
13	4822 417 11341	Hinge left		4822 529 10347	Shock absorber (8x) on back cover
14	4822 410 10584	Knob/frame controls		4822 402 10907	Plug left 32PW9523
15	4822 450 10092	Window right		4822 402 11178	Plug left 32PW9534
16	4822 410 10348	Mains knob		4822 402 11181	Plug left 32PW9544
17	4822 450 10091	Window left		4822 402 10908	Plug right 32PW9523
18	4822 404 10901	Support for mains switch		4822 402 11179	Plug right 32PW9534
19	4822 492 11079	Spring for mains knob		4822 402 11182	Plug right 32PW9544
20	4822 450 10433	Glass plate 32PW9523		4822 157 70615	Rotation coil
20	4822 450 10577	Glass plate 32PW9534		4822 131 20705	Picture tube W76ESF031X44
20	4822 450 10578	Glass plate 32PW9544			
21	4822 466 11773	Aluminium column	a:	32PW9523 = -/20	
21	4822 466 12062	Aluminium column 32PW9544	b:	32PW9523 = -/20, 32PW9534, 32PW9544	
			c:	32PW95xx775	

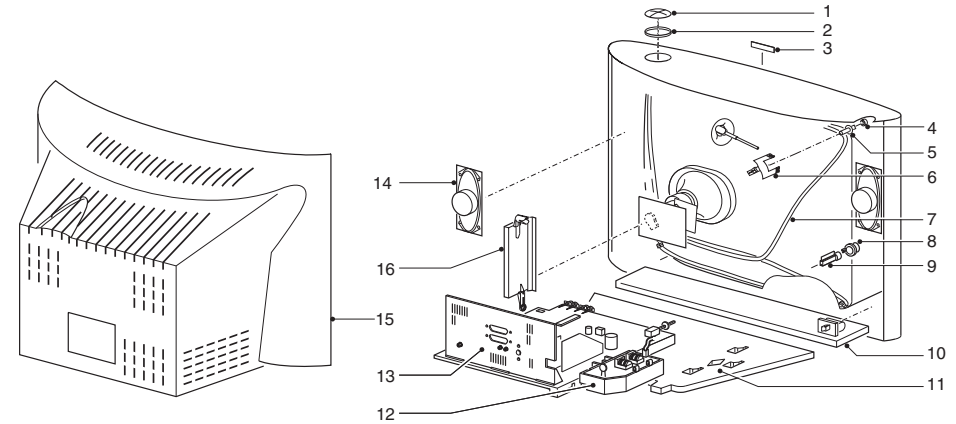
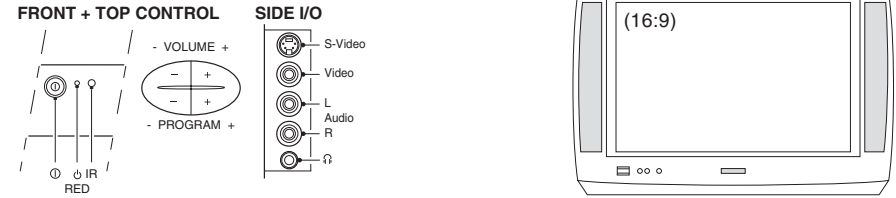
STYLING 187



STYLING 187.AI
131728

1/2ace	4822 442 01636	Top control cover & holder	13ef	4822 426 10668	Rear cover 29"
1/2bdghi	4822 442 01679	Top control cover & holder	13g	4822 426 10804	Rear cover 29" Nat. Brand
3abi	4822 459 11157	Wordmark PHILIPS 21"	13i	4822 426 10813	Rear cover 21" Nat. Brand
3cdh	4822 459 11155	Wordmark PHILIPS 25"/29"	14abi	4822 402 11242	Side AV bracket 21"
4a	4822 449 80317	Cabinet 21"	14cdh	4822 402 11114	Side AV bracket 25"
4c	4822 449 80259	Cabinet 25"	14efg	4822 402 11115	Side AV bracket 29"
4d	4822 449 80306	Cabinet 25" Nat. Brand		4822 131 11175	21" CRT A51EAL155X01
4e	4822 449 80261	Cabinet 29"		4822 131 20568	25" CRT A59EAK552X11
4f	4822 449 80307	Cabinet 29"		4822 131 11298	29" CRT A68ESF002X11
4g	4822 449 80308	Cabinet 29" Nat. Brand		4822 380 10238	Light guide 21"/29"
4h	4822 449 80322	Cabinet 25"54x5		4822 380 10239	Light guide 25"
4i	4822 449 80329	Cabinet 21" Nat. Brand		4822 401 11765	Spacer (for EHT cable)
5acdhi	4822 505 11195	CRT screw/nut 21/25"		4822 401 11764	Mains cord relief
5efg	4822 502 14602	CRT screw/nut 29"		4822 321 11425	Mains cord (not for UK)
6ai	4822 404 30945	Degaussing coil clamp 21"		5322 390 20011	Silicon grease for EHT cap
6cdh	4822 403 70906	Degaussing coil clamp 25"	a:	21PT5304, 21PT5324	
6efg	4822 404 31379	Degaussing coil clamp 29"	c:	25PT5304, 25PT5324	
7ai	4822 157 11532	Degaussing coil 21"	d:	25PT5124, 63TA5214	
7cdh	4822 157 11674	Degaussing coil 25"	e:	29PT5304, 29PT5324	
7efg	4822 157 11675	Degaussing coil 29"	f:	29PT5405, 29PT5425	
			g:	29PT5124, 72TA5214	
8	4822 240 10298	Loudspeaker YDT613 8R (2x)	h:	25PT5405, 25PT5425	
9/10aefgi	4822 535 10587	Mains knob assy	i:	52TA5215	
9/10cdh	4822 410 12281	Mains knob assy			
11	4822 402 11113	Mains filter bracket			
13a	4822 426 10787	Rear cover 21"			
13ch	4822 426 10667	Rear cover 25"			
13d	4822 426 10775	Rear cover 25" Nat. Brand			

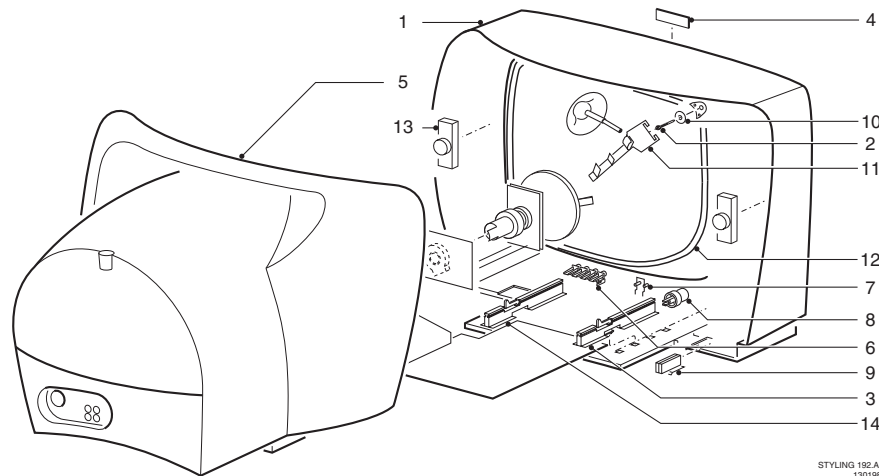
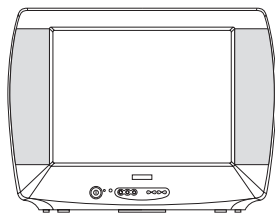
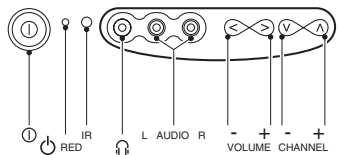
STYLING 188



STYLING 188.AI
200599

1	4822 442 01636	Top control cover	15ab	4822 426 10812	Rear cover 28"
1/2	Not applicable		15ce	4822 442 01636	Rear cover 32"
3a	4822 459 11155	Wordmark PHILIPS 28"	15d	3139 124 25772	Rear cover 24"
3d	3111 250 00291	Wordmark PHILIPS 24"		3139 124 24921	Light guide 24"
4c	4822 502 14664	Insert (32")		4822 380 10238	Light guide 28" / 32"
5ab	4822 502 14602	Screw 28"		4822 321 11425	Mains cord (EU)
5ce	4822 502 13712	Screw 32"		4822 401 11764	Mains cord relief
5d	4822 505 11195	Screw 24"	abce	4822 401 11765	Spacer (for EHT cable)
6abce	4822 403 70906	Bracket fix degaussing coil 28" / 32"	d	3111 254 23481	Spacer (for EHT cable) (24")
6d	3104 304 18634	Bracket fix degaussing coil 24"	a	4822 131 20708	28"WS CRT W66ESF002X14
7ab	4822 157 11815	Degaussing coil 28"	b	4822 131 11345	28"WS CRT W66ECK001X14
7ce	4822 157 11761	Degaussing coil 32"	c	4822 131 11215	32"WS CRT W76ESF031X14
7d	2422 549 43629	Degaussing coil 24"	d	4822 131 11227	24"WS CRT W56ESF002X04
8/9abce	4822 535 10587	Mains knob (assy)	a:	28PW6304 / 28PW6324	
8/9d	3139 137 62681	Mains knob (assy)	b:	70WA6214 / 70WB6194 / 28PW5304 / 28PW5324	
10a	4822 449 80328	Cabinet 28" (Philips)	c:	32PW6304 / 32PW6324	
10b	4822 449 80302	Cabinet 28" (Nat. Brand)	d:	24PW6304 / 24PW6324	
10ce	4822 449 80355	Cabinet 32" (Philips)	e:	82WA6214 / 82WB6194	
10d	3139 127 87842	Cabinet 24"			
10e	3139 137 66871	Cabinet 32" Nat. Brand			
11ab	3139 124 26411	Bottom plate 28"			
11d	3139 124 26421	Bottom plate 24"			
12	4822 402 11113	Mains filter bracket			
13	4822 402 11117	IO panel bracket			
14	4822 240 10298	Speaker (YDT613-8SX03)			

STYLING 192

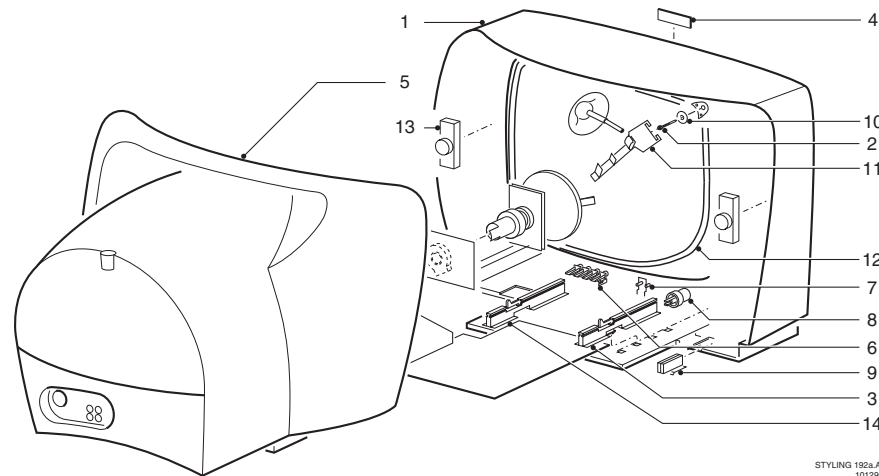
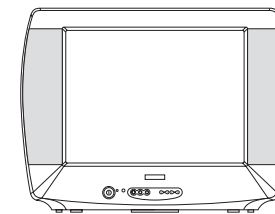
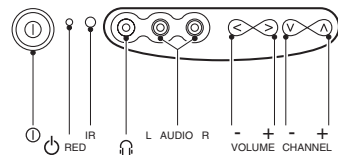


STYLING 192.A1
130198

1a	4822 449 80235	Cabinet (HP+2AV)
1b	4822 449 80228	Cabinet (HP+2AV)-/56R/57R
1b	4822 449 80229	Cabinet (HP+2AV) -/71R
1c	4822 449 80195	Cabinet (HP+3AV)-/69R/75R
1c	4822 449 80231	Cabinet (HP+3AV)-/68R/70R
1d	4822 449 80195	Cabinet -/56R/57R
1d	4822 449 80231	Cabinet -65R/67R/70R/74R
1d	4822 449 80234	Cabinet -/97R
1d	4822 449 80233	Cabinet -/71R/77B
1d	4822 449 80232	Cabinet -/56S
2	4822 502 14508	Spindle with ring
3a	4822 463 11148	Chassis guide (VO)
3bcd	4822 463 11125	Chassis guide (VO)
4	4822 454 13197	Wordmark
5a	4822 426 10565	Rear cover (4AV)
5b	4822 426 10585	Rear cover (4AV)
5c	4822 426 10564	Rear cover (6AV)
5d	4822 426 10564	Rear cover (6AV)
5d	4822 426 10595	Rear cover (6AV) -/56S only
6	4822 410 11549	Operating buttons
7a	4822 380 10223	Light guide
7b	4822 466 11424	Light guide -/56R/57R
7b	4822 380 10207	Light guide -/71R
7cd	4822 380 10207	Light guide
7d	4822 466 11424	Light guide -/97R only
8a	3139 124 24760	Power button
8bcd	4822 410 10932	Power button

8a	3139 124 24760	Power button
8bcd	4822 410 10932	Power button
9	4822 466 11453	Mains cord block
10	Not applicable	
11	4822 404 30901	EHT cable fixation
12	4822 157 11446	Degaussing coil (single voltage)
12	4822 157 11444	Degaussing coil (multi voltage)
13ab	4822 240 10263	Loudspeaker (8Ω/6W)
13cd	4822 240 10187	Loudspeaker (16Ω/6W)
14a	4822 463 11149	Chassis guide (HB)
bd	4822 303 14048	Rod aerial (F-type) -/71R only
a	4822 131 11104	CRT A51KPXX10X
bc	4822 131 20581	CRT A51KXR95X
d	4822 131 20581	CRT A51KXR95X
d	4822 131 11105	CRT A51EAL155X47 (-/77B only)
a	4822 150 10334	Deflection coil
bcd	4822 157 70708	Deflection coil
a	4822 526 10663	Multi pole unit
bcd	4822 532 70308	Multi pole unit
d	4822 526 10663	Multi pole unit (-/67R only)
a	21PT1382	
b	21PT2382	
c	21PT2622	
d	21PT2682	

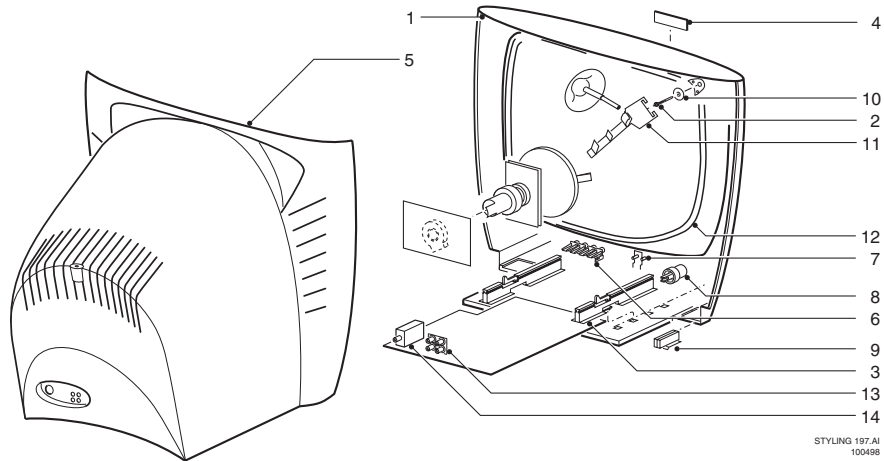
STYLING 192a



STYLING 192a.A1
101299

1abd	3139 137 66271	Cabinet
1c	3139 137 66211	Cabinet
2	3139 120 41141	Screw, steel
3	3139 124 23452	Chassis guide
4	3139 120 01281	Wordmark
5cd	3139 137 69491	Rear cover
5ab	3139 124 30931	Rear cover
6	3139 137 68341	Ctrl knob assy
7	3139 124 25842	Light guide
8	3139 137 68331	Mains knob assy
11	313912417541	Spacer
12abc	3139 128 23201	Coil, degaussing
12d	3139 128 23191	Coil, degaussing
13	4822 240 10368	Loudspeaker
	4822 157 70708	Deflection yoke 21"
	3139 124 23843	Mains cord
	4822 532 70308	Multipole
c	4822 131 20581	Picture tube 21" A51kxr95x
abd	9322 131 77682	Picture tube 21" A51kxr95x99
a	21PT3722/59A	
b	21PT3722/59B	
c	21PT3722/59C	
d	21PT3722/75R	

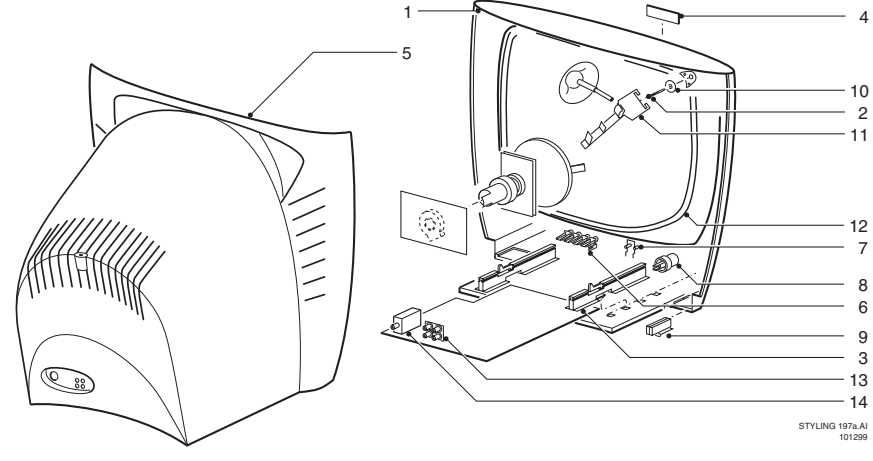
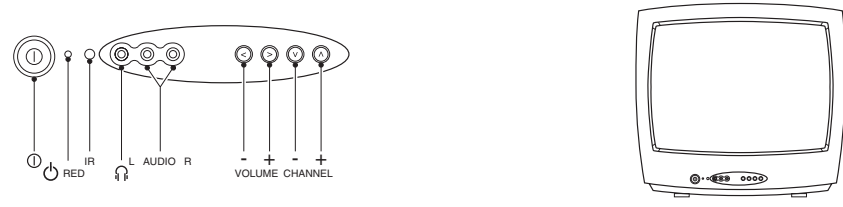
STYLING 197



STYLING 197.AI
100498

1a	4822 449 80348	Cabinet	8g	3139 124 29381	Mains knob
1bc	4822 449 80351	Cabinet	9	4822 466 11453	Mains cord black
1d	3139 137 55641	Cabinet	10d	4822 502 14508	Washer
1e	3139 137 56201	Cabinet	11ade	4822 404 31025	Bracket deg coils
1f	3139 137 57571	Cabinet	11bc	4822 404 31434	Bracket deg coils
1g	3139 137 56261	Cabinet	12ade	4822 157 11888	Degaussing coil
2a	4822 502 30739	Screw steel	12bcfg	4822 157 11532	Degaussing coil
2bc	4822 502 14071	Screw steel	abc	4822 321 11493	Mains cord
2defg	4822 502 13712	Screw steel	def	4822 321 11499	Mains cord
3	4822 463 11126	Chassis guide		4822 240 10394	Loudspeaker
4a	3122 222 00171	Wordmark	g	4822 240 10368	Loudspeaker
4bcfg	3111 250 00051	Wordmark	ae	4822 131 11367	Picture tube
4de	3111 250 00041	Wordmark	bcf	4822 131 11314	Picture tube
5a	4822 426 10913	Rear cover	d	9322 139 76682	Picture tube
5b	4822 426 10916	Rear cover	g	9301 738 50342	Picture tube
5c	4822 426 10914	Rear cover	a	4822 526 10663	Multipole unit
5de	3139 137 62281	Rear cover		4822 303 14049	Aerial, telescopic (not f)
5f	3139 137 62311	Rear cover		4822 532 61201	Spacer EHT
5g	3139 137 62291	Rear cover	a:	14TA01/05	
6	4822 410 12528	Control knob	b:	20RA01/05	
6def	4822 410 12149	Control knob	c:	20TA01/05	
6g	3139 124 28071	Control knob	d:	14PT1324/00	
7a	3139 124 26252	Light guide	e:	14PT1354/58	
7bcf	3139 124 26193	Light guide	f:	20PT1354/58=20PT1554/58	
7de	3139 124 31661	Light guide	g:	21PT1354/58	
7g	3139 124 28081	Light guide			
8	3139 124 26172	Mains knob			

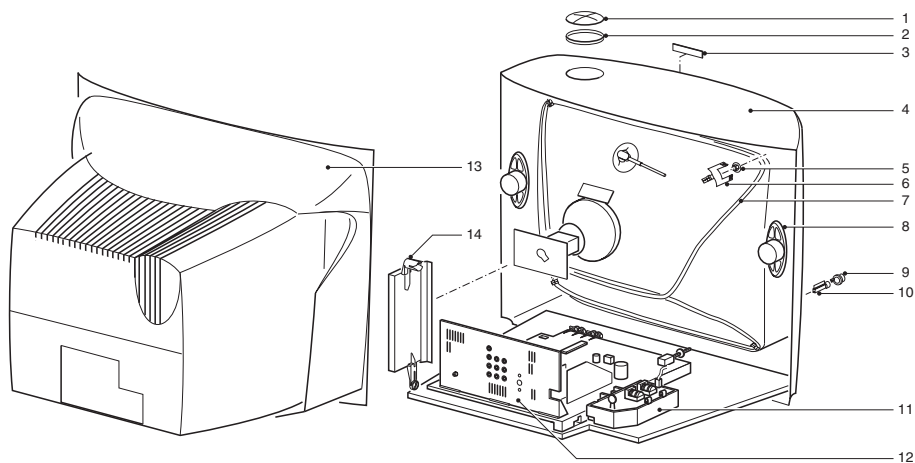
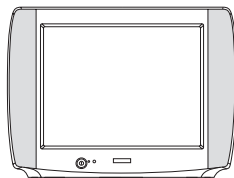
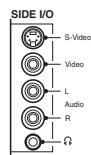
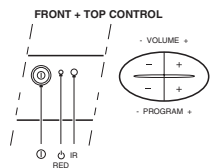
STYLING 197a



STYLING 197A.AI
101299

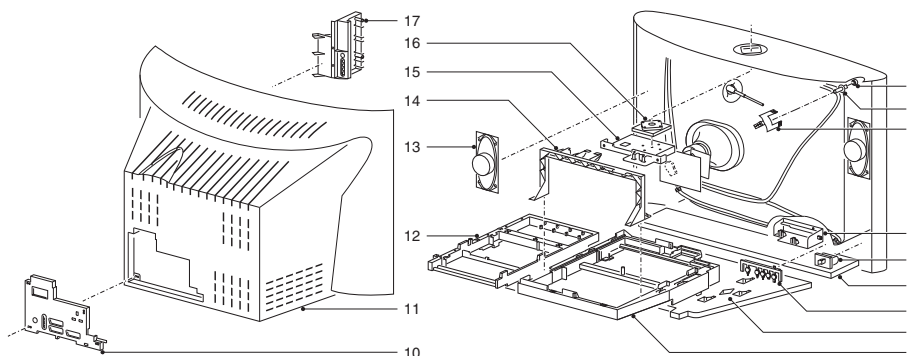
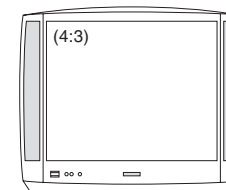
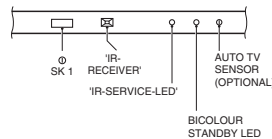
1a	4822 449 80348	Cabinet	8h	3139 137 68251	Mains knob
1bc	4822 449 80351	Cabinet	9	4822 466 11453	Mains cord black
1d	3139 137 55641	Cabinet	9h	3139 124 23843	Mains cord
1e	3139 137 56201	Cabinet	10d	4822 502 14508	Washer
1f	3139 137 57571	Cabinet	11ade	4822 404 31025	Bracket deg coils
1g	3139 137 56261	Cabinet	11bc	4822 404 31434	Bracket deg coils
1h	3139 137 57341	Cabinet	11h	3139 124 20114	Bracket deg coils
2a	4822 502 30739	Screw steel	12ade	4822 157 11888	Degaussing coil
2bc	4822 502 14071	Screw steel	12bcfg	4822 157 11532	Degaussing coil
2defg	4822 502 13712	Screw steel	12h	3139 128 23161	Degaussing coil
2h	3139 120 41141	Screw steel	abc	4822 321 11493	Mains cord
3	4822 463 11126	Chassis guide	def	4822 321 11499	Mains cord
3h	3139 124 23452	Chassis guide		4822 240 10394	Loudspeaker
4a	3122 222 00171	Wordmark	g	4822 240 10368	Loudspeaker
4bcfg	3111 250 00051	Wordmark	ae	4822 131 11367	Picture tube
4de	3111 250 00041	Wordmark	bcf	4822 131 11314	Picture tube
5a	4822 426 10913	Rear cover	d	9322 139 76682	Picture tube
5b	4822 426 10916	Rear cover	g	9301 738 50342	Picture tube
5c	4822 426 10914	Rear cover	h	4822 131 11203	Picture tube
5de	3139 137 62281	Rear cover	a	4822 526 10663	Multipole unit
5f	3139 137 62311	Rear cover	h	4822 532 70308	Multipole unit
5g	3139 137 62291	Rear cover		4822 303 14049	Aerial, telescopic (not f)
5h	3139 124 29911	Rear cover		4822 532 61201	Spacer EHT
6	4822 410 12528	Control knob	a:	14TA01/05	
6def	4822 410 12149	Control knob	b:	20RA01/05	
6g	3139 124 28071	Control knob	c:	20TA01/05	
6h	3139 137 68261	Control knob	d:	14PT1324/00	
7a	3139 124 26252	Light guide	e:	14PT1354/58	
7bcf	3139 124 26193	Light guide	f:	20PT1354/58=20PT1554/58	
7de	3139 124 31661	Light guide	g:	21PT1354/58	
7g	3139 124 28081	Light guide			
8	3139 124 26172	Mains knob			
8g	3139 124 29381	Mains knob			

STYLING 199



1/2	4822 441 12227	Top control cover & holder	13abcg	4822 426 10687	Rear cover 29"
1/2jk	4822 426 10908	Top control cover & holder (grey colour)	13f	4822 426 10764	Rear cover 34"
3	4822 454 13041	Wordmark PHILIPS 29"	13de	3139 124 25150	Rear cover (/93 LFL)
3	4822 454 13412	Wordmark PHILIPS 34"	14	4822 402 11115	Side AV bracket
4abcg	4822 449 80273	Cabinet		4822 131 11313	29" CRT A68ESF003X111
4fi	4822 449 80303	Cabinet		4822 131 11336	34" CRT A80ECK272X95
4de	3139 127 88040	Cabinet (/93 LFL)		4822 445 10784	1X10W Sub woofer box
4j	4822 449 80344	Cabinet (silvery grey colour) 29"		4822 380 10238	Light guide 29"
				4822 380 10249	Light guide 34"
4k	4822 449 80345	Cabinet (silvery grey colour) 34"		4822 532 61201	Spacer (for EHT cable)
5	4822 500 30034	CRT Screw		4822 402 11116	Heatsink bracket
6	4822 404 31434	Degaussing coil clamp		4822 402 11155	PIP/double window bracket
7	4822 157 11707	Degaussing coil 29"		4822 401 11764	Mains cord relief
7	4822 157 11819	Degaussing coil 34"		5322 390 20011	Silicon grease for EHT cap
8	4822 240 10298	Loudspeaker YDT613 8Ω (2x)		4822 218 21006	Antenna mixer adaptor (/61 & /71)
9	4822 442 01426	Mains knob 29"		4822 263 50179	Mains socket adaptor (/61)
9	4822 442 01629	Mains knob 34"	a:	29PT5683 (/56A, /69R)	
10	4822 535 10559	Mains knob (spacer) 29"	b:	29PT5663/57R	
10	4822 535 10589	Mains knob (spacer) 34"	c:	29PT5673 (/69R, /75R, /79R)	
10j	4822 535 10646	Mains knob (spacer grey colour) 29"	d:	29PT5663/93	
			e:	29PT5683/93	
10k	4822 535 10647	Mains knob (spacer grey colour) 34"	f:	34PT5693 (/56A, /56E, /57R, /69R, /75R, /79R)	
			g:	29PT5633 (/61R, /71R)	
11	4822 402 11113	Mains filter bracket	i:	34PT5633 (/61 & /71)	
12aefg	4822 466 12028	Rear jack bracket (PIP/double window)	j:	29PT5783 (/56A, /57R, /69R, /79R)	
12bcd	4822 466 12029	Rear jack bracket (non-PIP/non-double window)	k:	34PT5793 (/56A, /57R, /69R, /79R)	

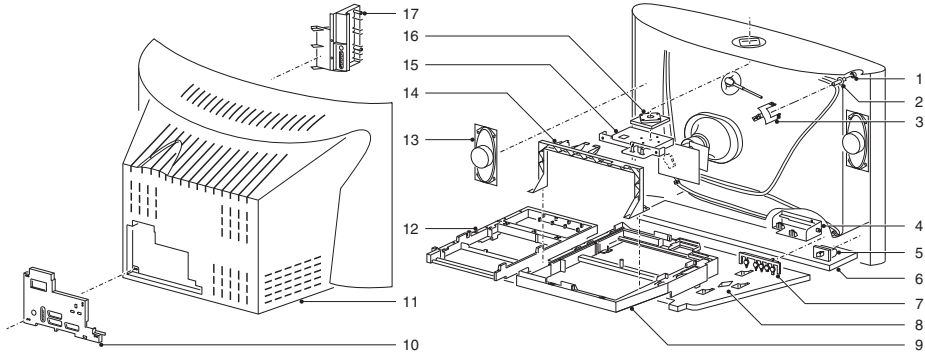
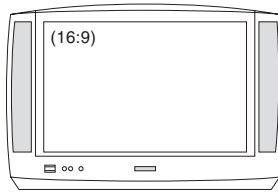
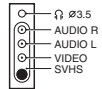
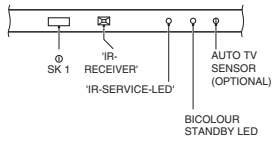
STYLING 204



STYLING 204.AI
110998

1	Not available		14	4822 402 11177	LOT support bracket
2	4822 505 11195	Screw	15	4822 464 10475	Bracket top control
3	4822 403 70906	Bracket fix deg. coil (4x)	16	4822 410 12071	Keypad
4	4822 402 11176	Bracket mains unit	17	4822 402 11175	Bracket side I/O
5	4822 410 12069	Mains knob		4822 459 11127	Philips emblem
6	4822 449 80288	Cabinet 25PT7304		4822 492 11079	Spring for mains switch
6	4822 449 80284	Cabinet 25PT8304		4822 402 11183	Mains cord holder 29"
6	4822 449 80292	Cabinet 28PT7104		4822 131 20602	Picture tube A59EAK552X44
6	4822 449 80289	Cabinet 28PT7304, 70TA7214		4822 131 20616	Picture tube A59EAK552X54
				4822 131 20567	Picture tube A66EAK552X44
6	4822 449 80297	Cabinet 29PT8004		4822 131 11311	Picture tube A68ESF002X143
6	4822 449 80286	Cabinet 29PT8304, 29PT8005		4822 219 10577	Remote control RC2591/01
6	4822 449 80298	Cabinet 29PT8344, 29PT8001		4822 219 10579	Remote control RC2591/00
				4822 219 10594	Remote control RC2591/01B
				4822 157 11674	Degaussing coil 25"
7	4822 380 10245	Light guide 24"/25"		4822 131 11311	Picture tube A68ESF002X143
7	3104 304 19810	Light guide 28"/29"		4822 219 10577	Remote control RC2591/01
8	4822 442 01543	Bottom plate 24"/25"		4822 219 10594	Remote control RC2591/01B
				4822 157 11672	Degaussing coil 28"
				4822 157 11675	Degaussing coil 29"
				4822 320 20234	EHT cable
				4822 320 20216	Focus cable
				4822 321 11448	Mains cord
8	4822 466 12141	Bottom plate 28"/29"			
9	4822 402 11174	Frame for LSP			
10	4822 442 01546	Coverplate			
11	4822 426 10733	Rear cover 25"			
11	4822 426 10735	Rear cover 28"/29"			
11	4822 426 10751	Rear cover 29PT8004			
11	4822 426 10752	Rear cover 29PT8344, 29PT8001			
12	4822 464 10474	Framer for SSP			
13	4822 240 10331	Loudspeaker 8Ω 12W (2x)			

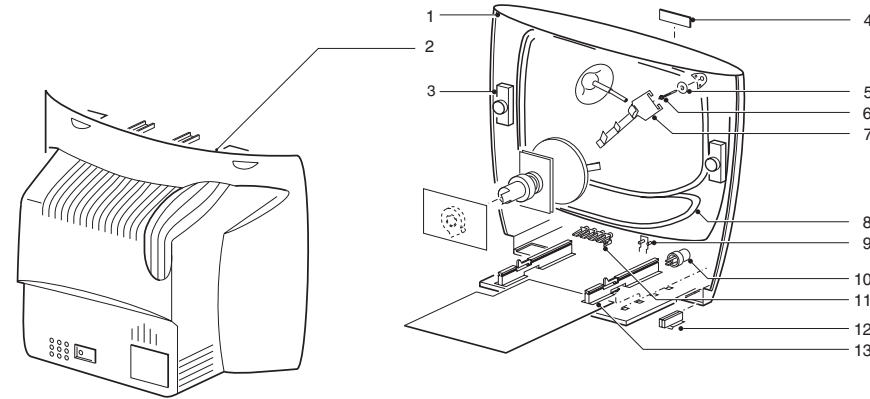
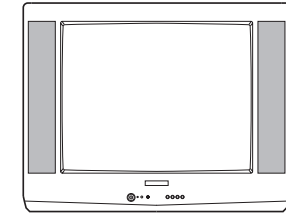
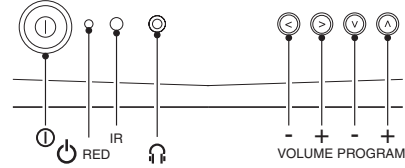
STYLING 205



STYLING 205.AI
110898

1	4822 404 31294	Insert VP19100 32"	16	3104 304 20920	Keypad XXPW6615
2	4822 505 11195	Screw 24"/28"	17	4822 402 11175	Bracket side I/O
2	4822 502 21359	Screw 32"		4822 240 10331	Centre loudspeaker 8Ω 12W
3	4822 402 10047	Bracket fix deg. coil 24" (4x)		4822 459 11127	Philips emblem
3	4822 403 70906	Bracket fix deg. coil (4x, 2x for 32")		4822 454 13455	Philips emblem silver
				4822 459 11161	Philips emblem 32"
3	4822 404 31289	Bracket fix deg. coil 32"		4822 454 13399	Philips emblem 32" silver
	4822 404 31341	Clamp for deg. coil 24"/32"		4822 492 11079	Spring for mains switch
4	4822 402 11176	Bracket mains unit		4822 402 11183	Mains cord holder 28"
5	4822 410 12069	Mains knob		4822 131 11185	Picture tube W56ESF002X44
6	4822 449 80279	Cabinet 24PW8504		4822 131 20708	Picture tube W66ESF002X14
6	4822 449 80285	Cabinet 28"		4822 131 20704	Picture tube W66ESF002X44
6	3104 307 95970	Cabinet 28PW6615		9322 148 59682	Picture tube W76EGV023X315
6	4822 449 80287	Cabinet 32"		4822 131 20705	Picture tube W76ESF031X44
6	3104 307 95990	Cabinet 32PW6615		4822 219 10579	RC2591/00
6	4822 449 80291	Cabinet 32PW9604		4822 219 10577	RC2020/01B
7	4822 380 10245	Light guide 24"		3104 207 09540	RC2592/01B
7	3104 304 19810	Light guide 28"/29"/32"		3104 207 09530	Rotation coil 32"
8	4822 442 01543	Bottom plate 24"		4822 157 11825	Degaussing coil 24"
8	4822 466 12141	Bottom plate 28"/29"		4822 157 11757	Degaussing coil 28"
8	4822 442 01547	Bottom plate 32"		4822 157 11761	Degaussing coil 32"
9	4822 402 11174	Frame for LSP		4822 320 20234	EHT cable
10	4822 442 01546	Coverplate		4822 320 11108	EHT cable 32"
10	3104 307 96010	Coverplate XXPW6615		4822 320 20216	Focus cable
11	4822 426 10728	Rear cover 24"		4822 321 11448	Mains cord
11	4822 426 10734	Rear cover 28"		4622 009 50782	Mains cord XXPW6615
11	3104 307 95980	Rear cover 28PW6615		4822 240 10381	Surround sound loudspeaker 14Ω 10W
11	4822 426 10736	Rear cover 32"			
11	3104 307 96000	Rear cover 32PW6615			
12	4822 464 10474	Frame for SSP			
13	4822 240 10331	Loudspeaker (2x)			
14	4822 402 11177	LOT support bracket			
15	4822 464 10475	Bracket top control			
16	4822 410 12071	Keypad			

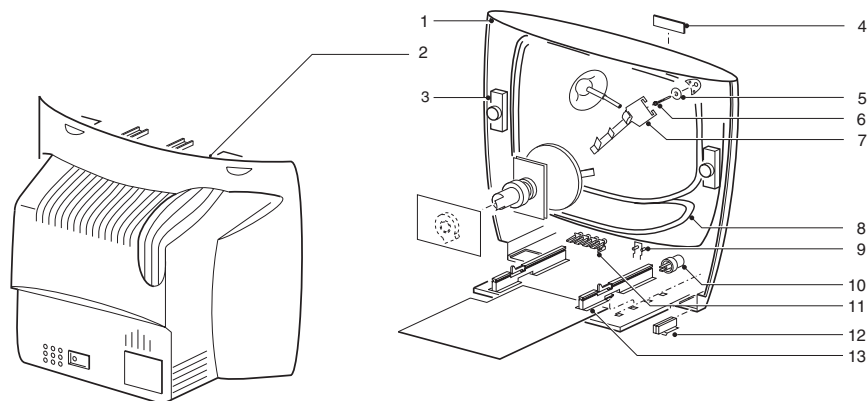
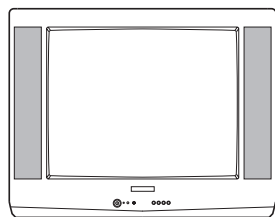
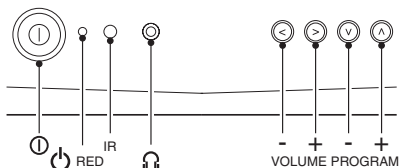
STYLING 206



Styling 206.AI
CL 310998

1	4822 449 80239	Cabinet painted 25" PV
2	4822 502 14361	Srew 25" only
3	4822 463 11225	Chassis guide 25"
3	4822 463 11226	Chassis guide
4	4822 454 13041	Wordmark
5	4822 240 10263	Loudspeaker full 126X58 5W 8Ω25", 29"
6	4822 410 11768	Control knob assy
7	4822 380 10239	Light guide PV
8	4822 410 11767	Mains knob
9	4822 404 31363	Mains cord relief
10	4822 402 10124	Tube spacer 25"
11	4822 404 31434	Coil clamp 25"
12	4822 157 11536	Deg. Coil 25" single volt
12	4822 157 11537	Deg. Coil 25" multi volt
13	4822 426 10618	Back cover 25" PV

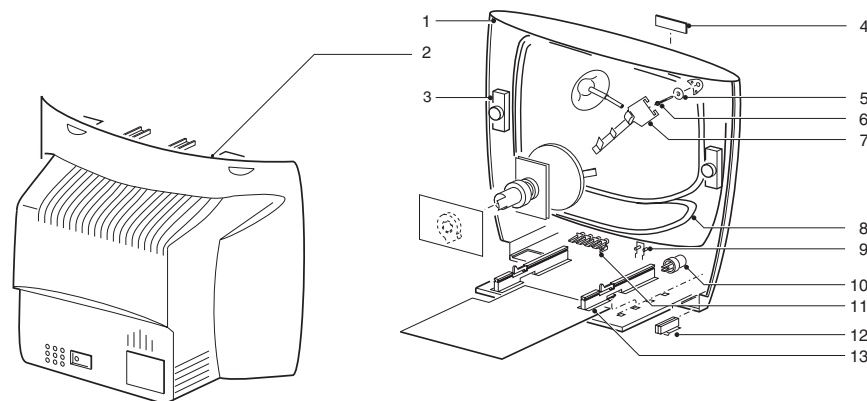
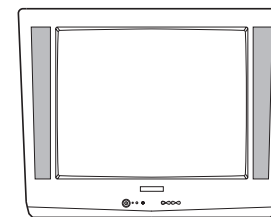
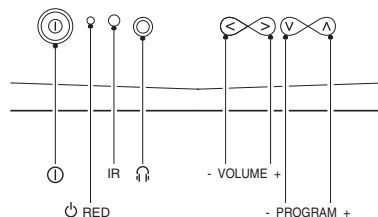
STYLING 206a



Styling 206a.AI
101299

1e	3139 137 53750	Cabinet 25" (25pt4223/67r, 25pt4224/94r, 25pt4823/67r)	10cd	4822 410 12526	Mains knob 25"
1b	3139 137 58341	Cabinet as sdwa 21"	10egh	3139 137 54071	Mains knob assy
1df	4822 449 80358	Cabinet 25"	10f	4822 410 11766	Mains knob winner-a
1d	4822 449 80359	Cabinet 25"	11	3139 124 26881	Control knob (only 21")
2a	3106 104 27911	Back cover 21sdwa	11egh	3139 137 67131	Control knob assy
2b	3139 124 28461	Back cover 21sdwa	11cd	4822 410 12527	Control knob assy
2egh	3139 124 29881	Back cover 25"	11f	4822 410 11765	Control knob winner-a
2d	4822 426 10618	Rear cover 25"	12cdf	4822 404 31363	Mains cord relief
2c	4822 426 10911	Rear cover 25"	12egh	3122 224 04623	Mains cord relief
2f	4822 426 10923	Rear cover 25"	13	3139 124 23452	"Chassis guide (only 21")
3e	3139 178 63971	Loudspeaker		3139 124 23843	Mains cord (21" only)
3	4822 240 10368	Loudspeaker (only 21")	a	4822 131 11295	Picture tube 21"
3dgh	4822 240 10393	Loudspeaker (25pt4223/67r, 25pt4823/67r, 25pt4873/69r, 25pt4873/79r)	b	4822 131 11295	Picture tube 21"
				4822 131 11366	Picture tube 25"(25"except 25pt4223/67r)
4cdf	4822 454 13041	Wordmark Philips 25"		4822 131 11368	Picture tube 25"
4	3122 220 00203	Wordmark 21"		3139 128 75011	Rod antenna (21"only)
5b	3106 101 28201	Steel washer	abegh	3139 124 17541	Tube spacer
6b	3106 100 40691	Crt screw	cd	4822 402 10124	Tube spacer
6b	3106 100 40751	Steel screw	f	4822 532 12743	Tube spacer
7cdf	4822 404 31434	Coil clamp	cdf	4822 532 61201	Tube spacer
7	4822 157 11898	Coil clamp (25pt4223/67r)	egh	3139 124 23251	Tube spacer
7abegh	3139 124 21802	Coil clamp	a:	21PT334A/77B	
8b	3106 107 30321	Degaussing coil 21"	b:	21PT534A/77B	
8egh	3139 128 23361	Degaussing coil 25"	c:	25PT4223/67R, 25PT4224/94R, 25PT4823/67R, 25PT4873/69R, 25PT4873/79R	
8cdf	4822 157 11537	Degaussing coil 25"	d:	25PT544A/77B	
9cd	4822 380 10239	Light guide 25"	e:	25PT4223/59C, 25PT4273/75T, 25PT4822/71T	
9egh	3139 124 24921	Light guide 25""	f:	25PT4324/94R	
9	3139 124 26901	Light guide (only 21")	g:	25PT4823/57T	
10	3139 124 26891	Mains knob (only 21")	h	25PT4873/56T, 25PT4873/69T, 25PT4873/79T	

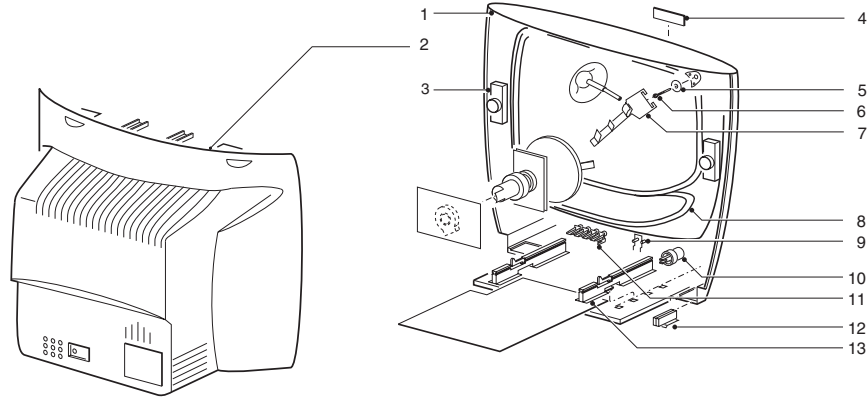
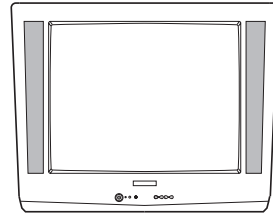
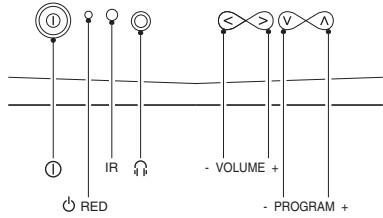
STYLING 207



Styling 207.AI
CL 310998

1a	4822 449 80336	Cabinet 25" (WA)	a:	25PT5005/5025
1b	4822 449 80341	Cabinet 28" (WA)	b:	28PT5005/5025
1c	4822 449 80342	Cabinet 25" (WB)	c:	25PT5105/5125
1d	4822 449 80337	Cabinet 28" (WB)	d:	28PT5105/5125
1e	3139 137 53041	Cabinet 28" (WB)	e:	28PT5205
2ac	4822 426 10831	Rear cover 25"		
2b	4822 426 10832	Rear cover 28"		
3	4822 240 10263	Loudspeaker YDT613-8SXH (8Ω - 6W)		
4	4822 459 11155	Wordmark (Philips)		
5/6	4822 505 11195	CRT fixing screw		
7ac	4822 404 31434	Degaussing coil clamp 25"		
7bd	4822 192 71627	Degaussing coil clamp 28"		
8ac	4822 157 11674	Degaussing coil 25"		
8bd	4822 157 11762	Degaussing coil 28"		
9	Not applicable			
10	4822 410 11766	Mains knob assy		
11ab	4822 410 11765	Control knob assy (WA)		
11cde	4822 410 12432	Control knob assy (WB)		
12	4822 404 31363	Mains cord relief		
13	Not applicable			
	4822 321 11499	Mains cord		
	4822 321 11493	Mains cord UK (only /05)		
ac	4822 131 20568	Picture Tube		
bd	4822 131 20559	Picture Tube		

STYLING 207a

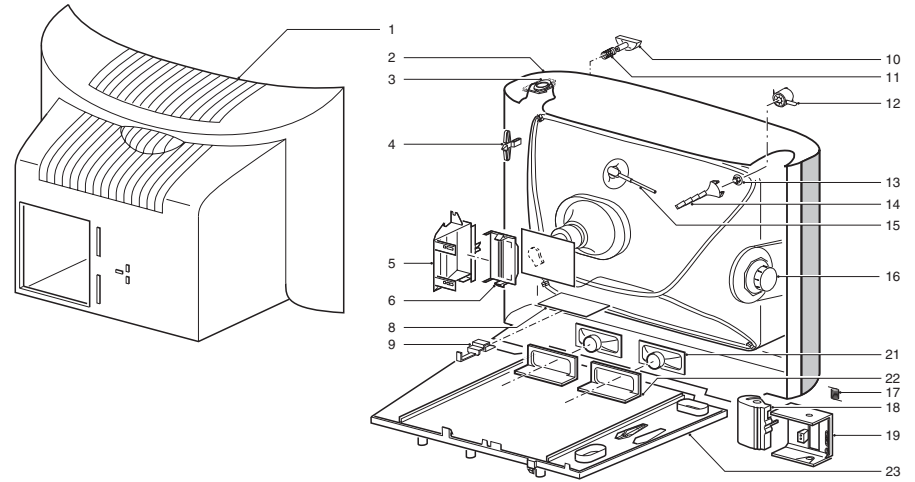
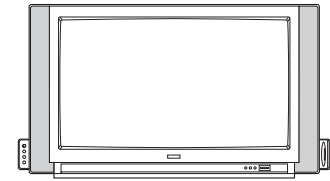
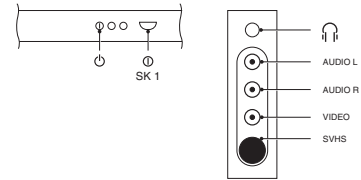


Styling 207a.AI
101299

1a	4822 449 80336	Cabinet 25" (WA)
1bf	4822 449 80341	Cabinet 28" (WA)
1c	4822 449 80342	Cabinet 25" (WB)
1d	4822 449 80337	Cabinet 28" (WB)
1e	3139 137 53041	Cabinet 28" (WB)
2ac	4822 426 10831	Rear cover 25"
2bf	4822 426 10832	Rear cover 28"
3	4822 240 10263	Loudspeaker
4	4822 459 11155	Wordmark Philips
6	4822 505 11195	CRT fixing screw
7ac	4822 404 31434	Degaussing coil clamp 25"
7bd	4822 192 71627	Degaussing coil clamp 28"
7f	4822 401 11765	Degaussing coil clamp 28"
8ac	4822 157 11674	Degaussing coil 25"
8bdf	4822 157 11762	Degaussing coil 28"
9	4822 380 10251	Light Guide
10	4822 410 11766	Mains knob
10f	3139 124 30581	Mains knob
11abf	4822 410 11765	Control knob (WA)
11cde	4822 410 12432	Control knob (WB)
12	4822 404 31363	Mains cord relief
	4822 321 11499	Mains cord
	4822 321 11493	Mains cord UK (only /05)
ac	4822 131 20568	Picture Tube
bd	4822 131 20559	Picture Tube
f	9301 711 10314	Picture Tube

a	25PT5005/5025
b	28PT5005/5025
c	25PT5105/5125
d	28PT5105/5125
e	28PT5205
f	28PT4755/00, 28PT4775/01

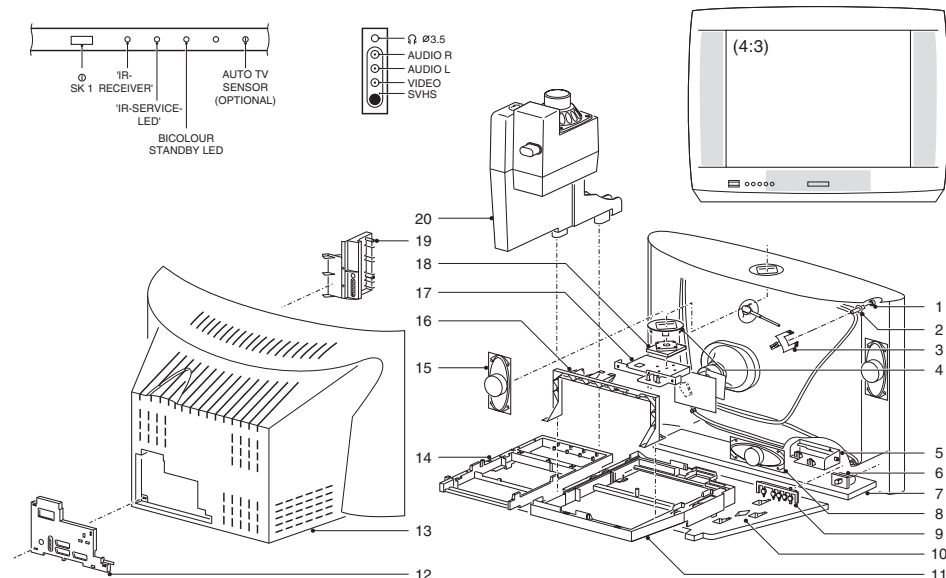
STYLING 209



STYLING 209.AI
011298

1ac	4822 426 10806	Rear cover 28"
1bd	4822 426 10808	Rear cover 32"
	4822 454 13441	Rear connector plate
	4822 443 11155	PCMCIA door
2ac	4822 449 80325	Cabinet 28"
2bd	4822 449 80326	Cabinet 32"
3	4822 410 12278	Knob frame controls
	4822 410 12279	Menu knob
	4822 402 10171	Bracket for top controls
	4822 462 10683	Prot. plate for top controls
4	4822 402 10198	Bracket fix rear cover
5abc	4822 256 10553	Card reader bracket
5d	4822 402 11275	Card reader bracket
6ac	4822 218 12028	Card reader
6bd	9211 014 21781	Card reader
7	Not used	
8	4822 432 93422	Protection plate
9	4822 417 11262	Locking unit for mains switch
10	4822 410 63946	Mains knob
11	Not present	
12ac	4822 276 13592	Mains switch
12bd	4822 543 12243	Picture tube insert
13abc	4822 404 31294	Picture tube insert
	4822 500 30034	Picture tube screw
13d	4822 502 21359	Picture tube screw
14	4822 403 70906	Bracket fix degaussing coil
14b	4822 404 31289	Bracket fix degaussing coil (add. 32")
15ac	4822 320 12377	EHT cable
15bd	4822 320 20238	EHT cable
16ac	4822 240 10101	Acoustic horn (2x")
ac	4822 402 10422	Acoustic horn bracket (2x)
16bd	4822 240 10106	Loudspeaker (squeeter)
		HD25323/X16SA
b	4822 402 10614	Squeeter bracket
b	4822 240 10198	Loudspeaker (2x) 3Ω/18W
17	4822 492 11341	Spring for toberlone
18	4822 442 01747	Toberlone
19	4822 256 10554	Holder for toberlone
	4822 417 50252	Locking unit (toberlone)
21ab	4822 240 20338	Center speaker Dolby (C072PX901P071) (2x)
22ab	4822 402 10362	Center speaker bracket Dolby (2x)
ac	4822 240 10174	Wired surround sound box Dolby (2x)
23abc	4822 442 00761	Bottom digital Dolby
	4822 256 10552	SSP/ Digital board bracket
abc	4822 402 10363	Bracket Surround Sound Panel
ab	4822 402 11274	Bracket EPS Module
a	4822 320 11458	Phone cord
b	4822 320 12643	Phone cord
ab	4822 466 70798	Light guide
	4822 529 10347	Shock absorber (8x) on back cover
ac	4822 131 20708	Picture tube W66ESF002X14 (28")
b	4822 131 11215	Picture tube W76ESF031X14 (32")
d	9322 138 98682	Picture tube W76EGV023X115 (32")
ac	4822 157 71164	Degaussing coil 28"
bd	4822 157 71846	Degaussing coil 32"
	4822 492 11341	Spring
	4822 404 31291	Mains cord holder
a	4822 321 10695	Mains cord
b	4822 321 10249	Mains cord
cd	4822 321 11474	Mains cord
bd	4822 445 10502	Sub woofer box
a	28DW6734/05	
b	32DW6834/05	
c	28DW6734/25	
d	32DW6834/25	

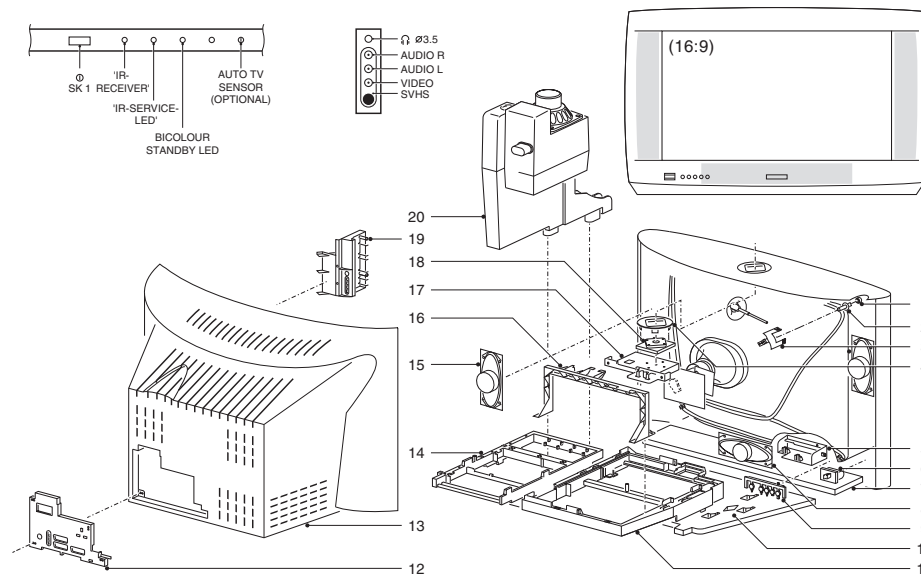
STYLING 215



STYLING 215.AI
020499

1	Not present	
2	4822 505 11195	Picture tube screw
3	4822 403 70906	Bracket fix deg. coil
4	Not present	
5	4822 402 11176	Bracket mains unit
6	4822 410 12069	Mains knob
7	4822 466 12207	Cabinet
8	4822 240 10362	Loudspeaker
9	3104 304 19810	Light guide
10	4822 466 12141	Bottom plate
11	4822 402 11174	Frame for LSP
12	4822 466 12208	Connector plate
13	4822 426 10818	Rear cover
14	4822 464 10474	Fram for SSP
15	4822 204 10362	Loudspeaker
16	4822 402 11177	LOT support bracket
17	4822 464 10475	Bracket for top control
18	4822 410 12071	Keypad
19	4822 402 11175	Bracket for side I/O
20	4822 445 10834	Subwoofer box
	4822 459 11127	Philips emblem
	4822 459 11033	Matchline emblem
	4822 492 11079	Spring for mains switch
	4822 157 11675	Degaussing coil
	4822 131 11311	Picture tube A68ESF002X143
	4822 219 10695	Remote control RC2008/01B

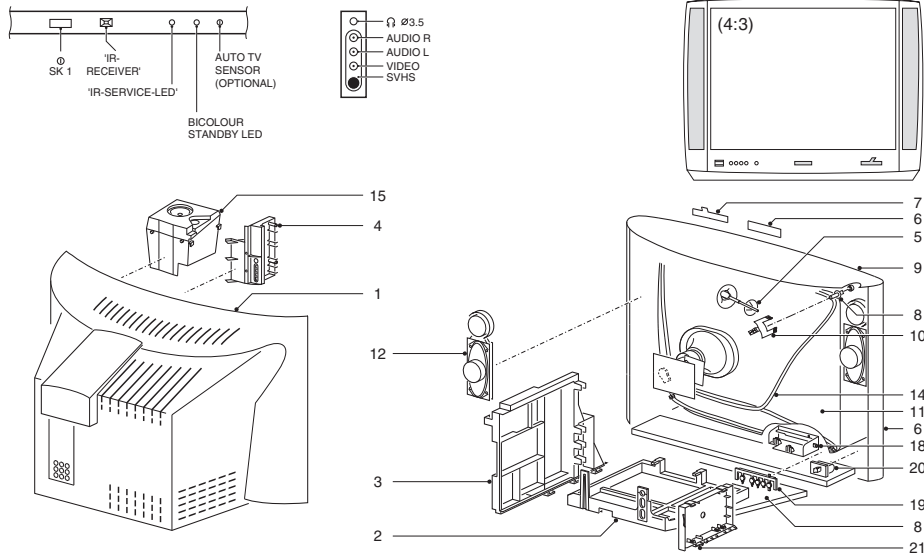
STYLING 216



STYLING 216.AI
020499

1	4822 404 31294	Insert 32" VP19100	19c	3104 304 20900	Bracket side I/O blue
2	4822 505 11195	Picture tube screw 28"	19d	3104 304 20890	Bracket side I/O silver
2	4822 502 21359	Picture tube screw 32"	20	4822 445 10834	Subwoofer box
3	4822 403 70906	Bracket fix deg. coil 28"	ab	4822 459 11127	Philips emblem 28"
3	4822 404 31289	Bracket fix deg. coil 32" (2x)	c	3104 300 12070	Philips emblem blue 28"
4ab	4822 442 01791	Top control cover	d	3104 300 12060	Philips emblem silver 28"
4c	3104 307 94890	Top control cover blue	e	4822 459 11161	Philips emblem 32"
4d	3104 307 94900	Top control coversilver	f	3104 300 12050	Philips emblem blue 32"
5	4822 402 11176	Bracket mains unit	g	3104 300 12040	Philips emblem silver 32"
6ab	4822 410 12069	Mains knob		4822 459 11033	Matchline emblem
6c	3104 307 95050	Mains knob blue	ab'	3104 304 20840	Blind plate
6d	3104 307 95040	Mains knob silver	c	3104 304 21400	Blind plate blue
7ab	3104 307 94010	Cabinet assy 28"	d	3104 304 21410	Blind plate grey
7c	3104 307 94830	Cabinet assy 28" blue		4822 492 11079	Spring for mains switch
7d	3104 307 94840	Cabinet assy 28" grey		4622 009 50772	Mains cord
7e	3104 307 94150	Cabinet assy 32"		4622 009 50782	Mains cord -/05
7f	3104 307 94810	Cabinet assy 32" blue		4822 157 11758	Degaussing coil 28"
7g	3104 307 94820	Cabinet assy 32" grey		4822 157 11761	Degaussing coil 32"
8	4822 240 10362	Loudspeaker AD26963/X8		4822 157 11825	Rotation coil
8e	3104 130 00156	Loudspeaker 8R 12W		4822 131 20704	Picture tube W66ESF002X44
8g	4822 240 10331	Loudspeaker 8R 12W		4822 131 20705	Picture tube W76ESF031X44
9	3104 304 19810	Light guide	a	4822 219 10695	RC2008/01B
10	4822 466 12141	Bottom plate 28"	a	3104 207 09550	RC2030/01
10	4822 442 01547	Bottom plate 32"	b	3128 147 11490	RC2021/01B
11	4822 402 11174	Frame for LSP	c	3104 207 09570	RC2032/01
12a	4822 466 12209	Coverplate	d	3104 207 09560	RC2031/01
12be	4822 466 12208	Coverplate		4822 240 10381	Surround sound box
12c	3104 307 95070	Coverplate blue			
12d	3104 307 95060	Coverplate silver	a:	28PW9515	
13ab	4822 426 10819	Rear cover 28"	b:	28PW9505	
13c	3104 307 94870	Rear cover 28" blue	c:	28PW9535	
13d	3104 307 94880	Rear cover 28" grey	d:	28PW9545	
13e	4822 426 10817	Rear cover 32"	e:		
13f	3104 307 94850	Rear cover 32" blue	f:	32PW9535	
13g	3104 307 94860	Rear cover 32" grey	g:	32PW9545	
14	4822 464 10474	Frame for SSP			
15a	4822 240 10361	Loudspeaker 8R 12W combi			
15b	3104 130 01560	Loudspeaker 8R 12W combi			
16	4822 402 11177	LOT support bracket			
17	4822 464 10475	Bracket top control			
18a	3104 304 20920	Keypad			
18b	4822 410 12071	Keypad			
18c	3104 304 20860	Keypad blue			
18d	3104 304 20850	Keypad silver			
19ab	4822 402 11175	Bracket side I/O			

STYLING 217

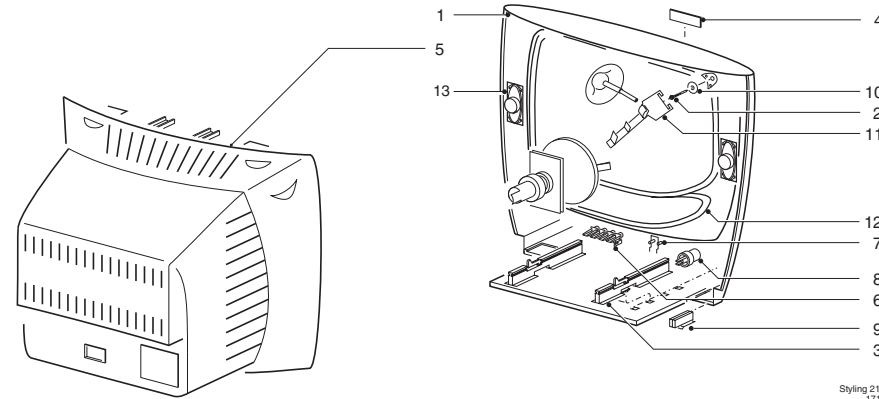
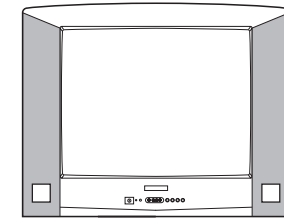
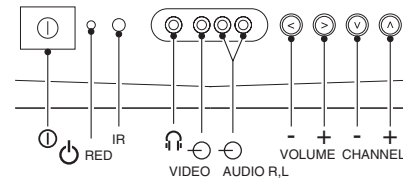


STYLING 217.AI
120199

1	4822 426 10782	Back cover 29" FL7
2	4822 402 10193	LSP tray
3	4822 418 10266	SSP tray
4	4822 402 11175	Bracket side I/O
5	4822 532 61201	Spacer for EHT cable
6	4822 454 13041	Wordmark PHILIPS
7	4822 459 11033	MATCHLINE emblem
8	4822 402 10124	Spacer
9	4822 449 80309	Cabinet 29" FL7
10	4822 401 11704	Coil clamp
11af	4822 131 11353	CRT A68LND256X01- North
11b	4822 131 11354	CRT A68LND257X01- Neutral
11d	4822 131 11355	CRT A68LND258X01- South
11ce	4822 131 20668	CRT A68KVR030X001- North
12	4822 445 10684	Speaker+ tweeter assy
14	4822 157 11321	Degaussing coil
15	4822 445 10652	Subwoofer box
18	4822 402 11176	Mains/led unit bracket
19	3104 304 19810	Light guide
20	4822 410 12175	Mains knob
21	4822 404 31357	Bracket AVM panel
	4822 426 10772	Top control assy
	5322 390 20011	Silicon grease for EHT cap
	4822 402 10194	L.O.T. bracket
	4822 402 11226	Sound heatsink bracket

a:	29PT8600/57R, 29PT8800/57R, 29PT8890/56R
b:	29PT8620/69R, 29PT8890/68R, /69R
c:	29PT8630/97R
d:	29PT8860/75R, /79R
e:	29PT8880/93R
f:	29PT8888/93R

STYLING 218

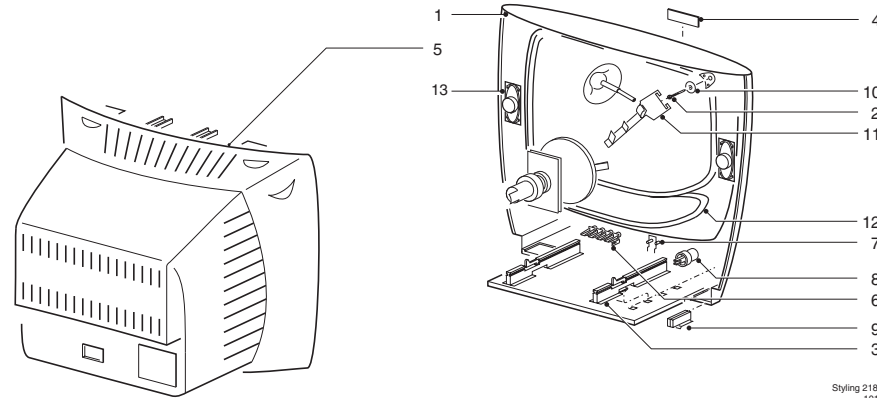
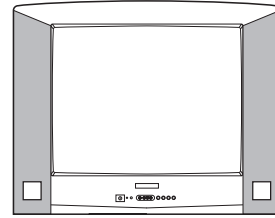
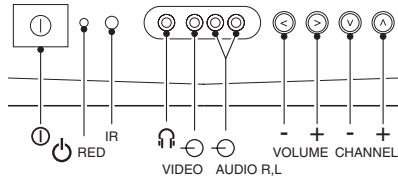


Styling 218.AI
171296

1	4822 449 80315	Cabinet
1a	3139 137 67611	Cabinet
1bg	3139 137 57631	Cabinet
1cd	3139 137 57601	Cabinet
1ef	3139 137 54541	Cabinet
2	4822 502 14071	Screw steel
3	4822 463 11126	Chassis guide
4	4822 454 13197	Wordmark
4bg	3111 250 00051	Wordmark
5	4822 426 10917	Rear cover
5c	3139 137 57691	Rear cover
5de	3139 137 64231	Rear cover
5g	3139 137 64221	Rear cover
6	4822 410 12513	Control knob
6abde	3139 124 26941	Control knob
6cg	4822 410 12529	Control knob
7	4822 380 10281	Light guide
8	4822 410 12512	Mains knob
9	4822 466 11453	Mains cord block
9ce	3139 178 06191	Mains cord block
10	Not applicable	
11	4822 404 31434	Bracket
12	4822 157 11532	Degaussing coil
13	4822 240 10368	Loudspeaker

a:	21PT4355/00=21PT4655/00
b:	21PT4675/05
c:	21SA01/05
d:	52TA4415/03
e:	52TA4415/05
f:	52TA4415/11=52TA4415/18
g:	52TA4395/19

STYLING 218a

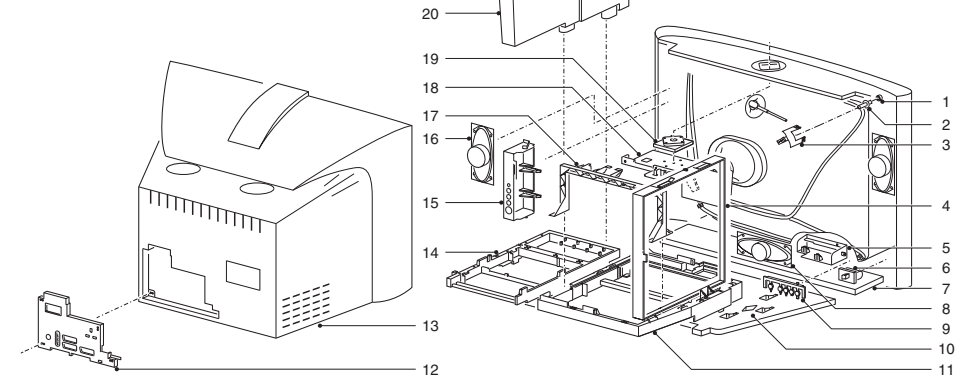
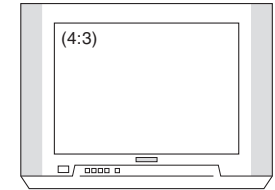
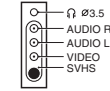
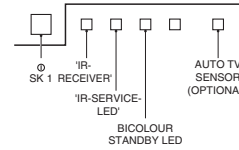


Styling 218a AI
101299

1	4822 449 80315	Cabinet
1a	3139 137 67611	Cabinet
1bg	3139 137 57631	Cabinet
1cd	4822 449 80353	Cabinet
1ef	3139 137 54541	Cabinet
1hj	4822 449 80346	Cabinet
2	4822 502 14071	Screw steel
3	4822 463 11126	Chassis guide
4	4822 454 13197	Wordmark
4bg	3111 250 00051	Wordmark
5	4822 426 10917	Rear cover
5de	3139 137 64231	Rear cover
5g	3139 137 64221	Rear cover
6	4822 410 12513	Control knob
6abde	3139 124 26941	Control knob
6cg	4822 410 12529	Control knob
7	4822 380 10281	Light guide
8	4822 410 12512	Mains knob
9	4822 466 11453	Mains cord block
9ce	3139 178 06191	Mains cord block
10	Not applicable	
11	4822 404 31434	Bracket
12	4822 157 11532	Degaussing coil
12f	3128 138 60531	Degaussing coil
13	4822 240 10368	Loudspeaker
hj	4822 131 11105	Picturetube 21"
ef	9322 145 31682	Picturetube 21"

h	4822 321 11493	Mains cord
j	4822 321 11499	Mains cord
aef	3139 124 23843	Mains cord
a	21PT4355/00, 21PT4655/00	
b	21PT4675/05	
c	21SA01/05	
d	52TA4415/03	
e	52TA4415/05	
f	52TA4415/11, 18	
g	52TA4395/19	
h	21PT4475/05	
j	21PT4455/00, 21PT4475/01,58	

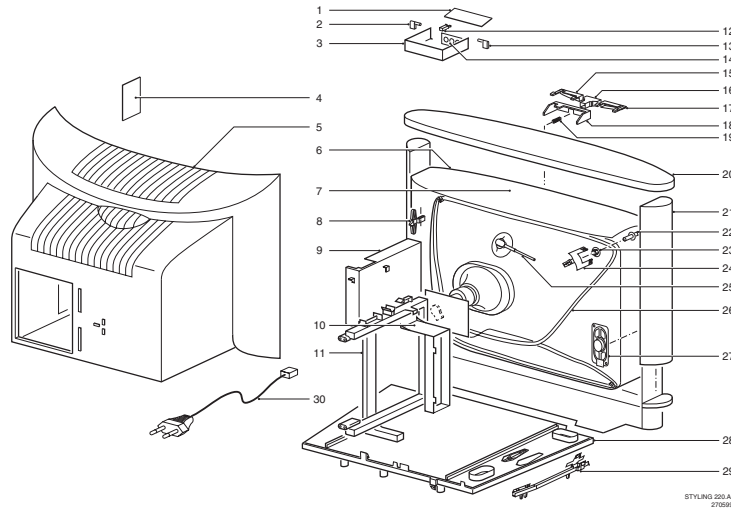
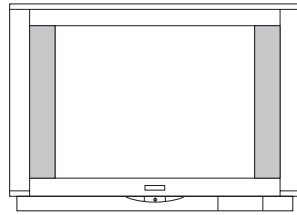
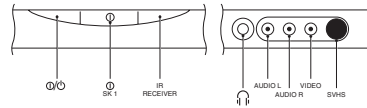
STYLING 219



STYLING 219 AI
180899

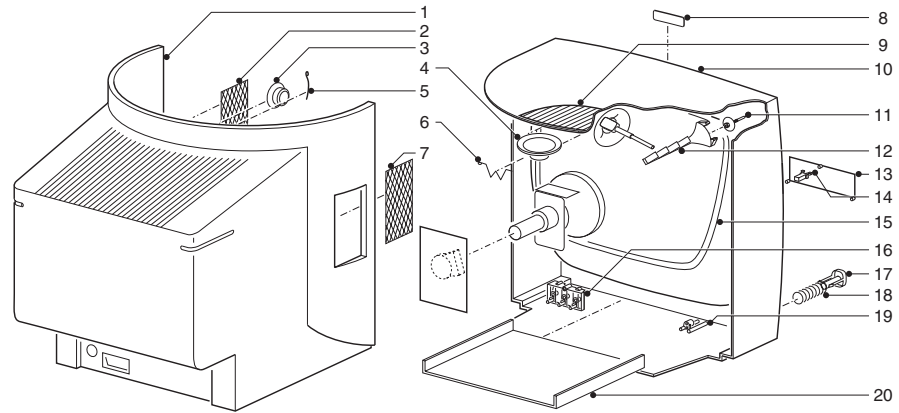
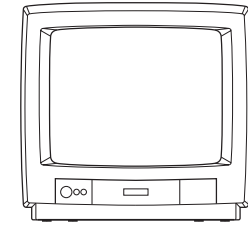
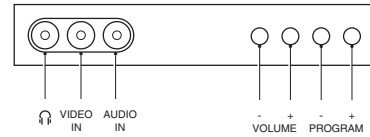
1	3122 124 35680	Washer	8204 000 73420	Picture tube
2	4822 505 11195	Picture tube screw		A68QCP891X101 (only -/69)
3	3139 124 31120	Bracket fix deg. Coil	3104 207 09590	Remote control RC2034/01
4	3104 304 19650	Frame for supply panel	4622 009 50772	Mains cord
5	4822 402 11176	Bracket mains unit	4622 001 60961	Mains cord (only -/79)
			4622 002 50391	Mains cord (only -/93)
6	3104 304 20790	Mains knob		
7	3104 307 94910	Cabinet	4822 157 11708	Degaussing coil
8	2422 257 20507	Loudspeaker centre	4822 240 10381	Surround sound box
9	3104 304 20800	Light guide		
10	4822 466 12141	Bottom plate		
11	3104 304 19580	Frame for LSP		
12	3104 307 95230	Coverplate		
13	3104 307 94920	Rear cover		
14	4822 464 10474	Frame for SSP		
15	3104 304 20990	Bracket side IO		
16	3104 130 01230	Loudspeaker combi		
17	3104 304 20260	LOT support bracket		
18	4822 464 10475	Bracket top control		
19	3104 304 21630	Keypad		
20	4822 445 10834	Subwoofer box		
	4822 454 13455	Philips emblem		
	3104 300 12080	Matchline emblem		
	4822 492 11079	Spring mains switch		
	3104 304 19640	Module support bracket on SSP		
	8204 000 73340	Picture tube		
		A68QCP891X100		

STYLING 220



1	4822 443 10878	Door 29PT8423	19	4822 492 11079	Spring for mains knob
1	4822 443 11074	Door 29PT8434	20	4822 450 10639	Glass plate 29PT8424
1	4822 443 11075	Door 29PT8444	20	4822 450 10641	Glass plate 29PT8434
2	4822 417 11339	Hinge right	20	4822 450 10642	Glass plate 29PT8444
3	4822 256 10244	Holder for controls	21	4822 466 11216	Aluminium column
4	4822 466 11774	Blind plate for rear cover 29PT8424	21	4822 466 11217	Aluminium column 29PT8444
4	4822 466 12061	Blind plate for rear cover 29PT8434	22	4822 500 30034	CRT screw
4	4822 466 12063	Blind plate for rear cover 29PT8444	23	Not present	
5	4822 426 10821	Back cover 29PT8424	24	4822 403 70906	Bracket fix degaussing coil (4x)
5	4822 426 10822	Back cover 29PT8434	25	4822 320 20238	EHT cable
5	4822 426 10825	Back cover 29PT8444	26	4822 157 71529	Degaussing coil
6	Not available		27	4822 240 10319	Squeezer (10Ω)
7	4822 449 80333	Cabinet 29PT8424	28	4822 442 00394	Bottom plate
7	4822 449 80334	Cabinet 29PT8434	29	4822 404 31291	Holder for mains cord
7	4822 449 80335	Cabinet 29PT8444	30	4822 321 10814	Mains cord
8	4822 402 10198	Bracket fix rear cover		4822 445 10783	Subwoofer box
9	4822 402 10168	Frame for mains filter		4822 454 13452	Wordmark PHILIPS 29PT8424
10	4822 402 10657	Holder for FBX		4822 454 13453	Wordmark PHILIPS 29PT8434
11	4822 256 92347	Frame for SSP		4822 454 13455	Wordmark PHILIPS 29PT8444
12	4822 417 50258	Locking mechanism		4822 402 11293	Plug left 29PT84243
13	4822 417 11341	Hinge left		4822 402 11295	Plug left 29PT8434
14	4822 410 10584	Knobframe controls		4822 402 11297	Plug left 29PT8444
15	4822 450 10092	Window right		4822 402 11294	Plug right 29PT8424
16	4822 410 10348	Mains knob		4822 402 11296	Plug right 29PT8434
17	4822 450 10091	Window left		4822 402 11298	Plug right 29PT8444
18	4822 404 10901	Support for mains switch		4822 442 01221	I/O cover plate 29PT8424
				4822 442 01544	I/O cover plate 29PT8434
				4822 442 01545	I/O cover plate 29PT8444
				4822 131 11311	Picture tube A68ESF002X143

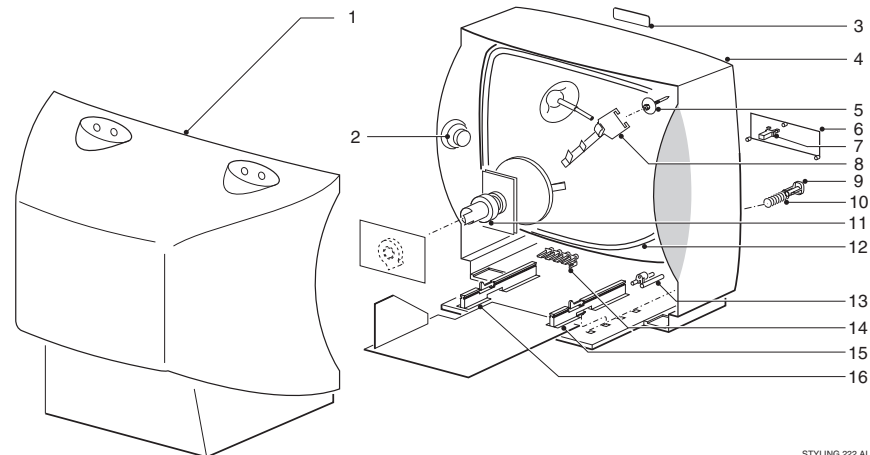
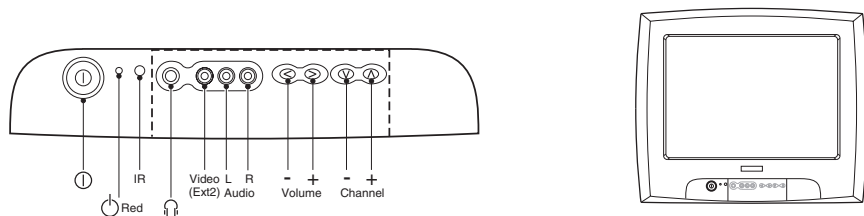
STYLING 221



1	4822 426 10915	Rear cover
2	4822 458 50533	Grill right (plastic grill)
3	Not applicable	
4	4822 240 10395	Loudspeaker HD40251/X8SA (8W/8Ω)
5	Not applicable	
6	Not applicable	
7	4822 458 50532	Grille left (plastic grill)
8	4822 459 11214	Wordmark (name plate)
10	4822 449 80349	Cabinet
11	4822 502 30739	Screw fix. CRT (steel bolt)
12	4822 404 31434	Bracket fix. degaussing coil
13		
14	4822 417 50252	Lock
15	4822 157 11889	Degaussing coil
16	4822 410 11763	Control knobs (plastic knob)
17	4822 410 11762	Mains knob (plastic pushbutton)
18	4822 492 32656	spring for mains knob
19	4822 801 10282	Plastic light guide
20	Not applicable	
21	4822 532 61201	Spacer EHT-cable

STYLING 221.AI
190599

STYLING 222

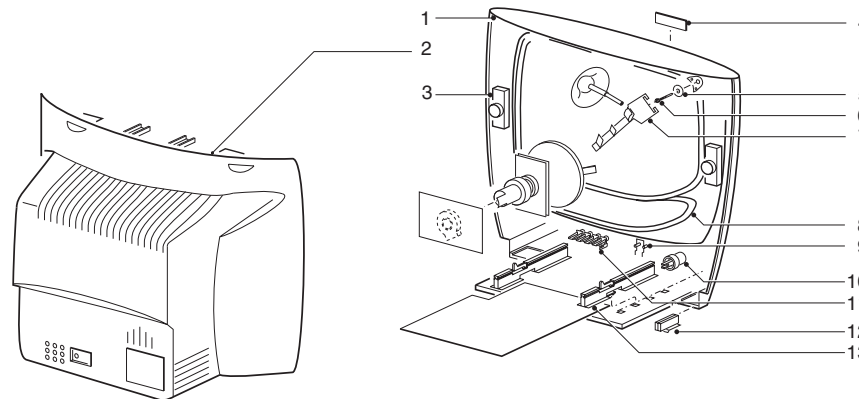
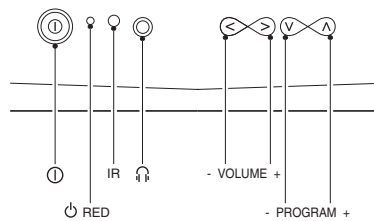


STYLING 222 AI
190599

1	4822 426 10918	Rear cover
2	4822 240 10396	Loudspeaker
3	4822 459 11157	Wordmark
4a ^c	4822 449 80354	Cabinet
4b	4822 449 80352	Cabinet
4d ^e	3139 137 57461	Cabinet
4efg ^e	3139 137 63811	Cabinet
5	Not available	
6	Not available	
7	4822 417 50252	Lock
8	4822 404 31434	Bracket fix. Degaussing coil
9	4822 410 11759	Mains knob
10	4822 492 32656	Spring for mains knob
11	Not available	
12	4822 157 11532	Degaussing coil
13	4822 380 10283	Plastic Light Guide
14	4822 410 11761	Operating buttons
15	4822 463 11188	Chassis guide
16	Not available	
abde	4822 321 11499	Mains Cord
cf	4822 321 11493	Mains Cord
g	3139 124 23843	Mains Cord
	4822 532 61201	Spacer EHT-cable
	4822 267 20466	Picture Tube Connector
	4822 131 11105	Picture Tube

a:	21PT1664/00,01,58
b:	21PT2264/00
c:	21PT1664/05
d:	21PT1364/58
e:	21PT2664/00 = 21PT2684/01
f:	21PT2684/05
g:	21PT2684/58

STYLING 223

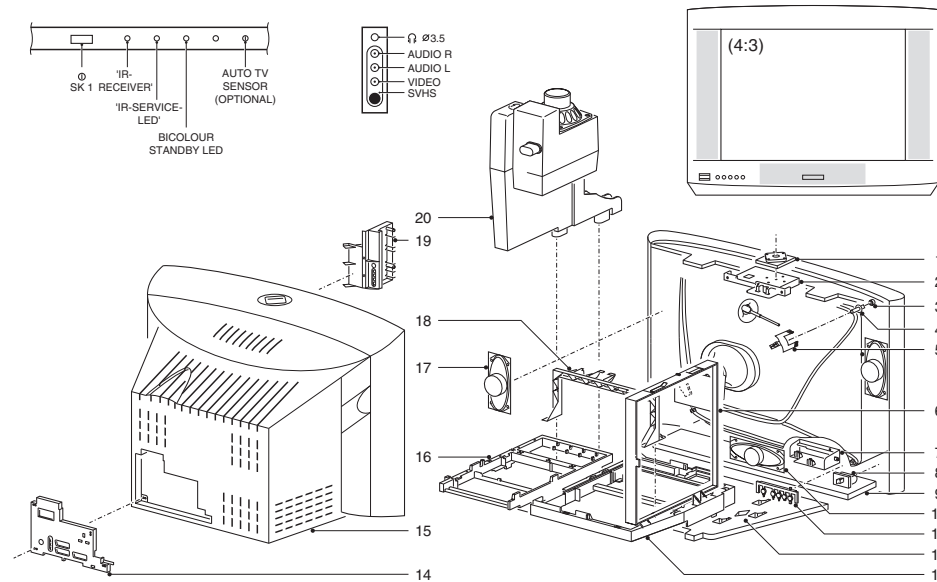


Styling 223.AI
CL. 190599

1	4822 449 80339	Cabinet 25"
1a	3139 137 55251	Cabinet 25"
1bcd	3139 137 53201	Cabinet 25"
1e	3139 137 53851	Cabinet 25"
1j	3139 137 65721	Cabinet 25SDLB(RADIOLA)
1k	3139 137 55231	Cabinet 25SDLC
1m	3139 137 55391	Cabinet 28SDLB ARIS
1o	3139 137 55431	Cabinet 28SDLB RLA
1n	3139 137 55411	Cabinet 28SDLB SBR
1s	3139 137 53131	Cabinet 28SDLA
1pqrtfg	4822 449 80338	Cabinet 28SDLA
2	4822 426 10836	Back cover 25SDLA
2a	3139 137 55211	Back cover 25"
2b	3139 137 65631	Back cover 25"
2e	3139 137 59741	Back cover 25"
2mno	3139 124 27032	Back cover 28SDLA
2tfg	4822 426 10833	Back cover 28SDLA
2k	3139 137 65851	Back cover 25SDLC
2s	3139 137 65841	Back cover 28SDL
3	4822 240 10368	Loudspeaker
3e	4822 240 10263	Loudspeaker
4	4822 454 11155	Plastic wordmark PHILIPS
4e	3111 250 00281	Plastic wordmark
4sh	3122 220 00182	Wordmark 24"-25"-27"-28"
5	Not available	
6	4822 505 11195	Crt fixing screw
7	4822 404 31434	Coil clamp 25"
7a	4822 401 11765	Bracket deg coil 25"
7shjkmno		
	3111 254 23481	Coilclamp
8	4822 157 11674	Degaussing coil 25"
8	4822 157 11762	Degaussing coil 28"
9	Not available	
10	4822 410 11766	Mains knob
10asjkmno		
	3139 124 30581	Mains knob

11	4822 410 12433	Control knob
11ahjkmno		
	3139 124 27071	Control knob
12	4822 404 31363	Mains cord relief
12shjkmno		
	3122 224 04623	Mains cord relief
13sh	3139 124 30871	Chassis guide HB (EU)
13s	3139 124 30881	Chassis guide V0 (EU)
13h	3139 124 30881	Chassis guide V0 (EU)
	4822 131 11184	Picture tube 25"
tfg	4822 131 11045	Picture tube 25"
smno	9301 711 10314	Picture tube 28"
	4822 321 11499	Mains cord
erg	4822 321 11493	Mains cord
a:	25PT4675/01, 05, 25PT4375/01	
b:	25PT4104/58	
c:	25PT4275/01	
d:	25PT4655/00	
e:	25SA01/05	
f:	28PT4475/01	
g:	28PT4475/05	
h:	63TA4415/11	
j:	63TA4415/18	
k:	63TB4395/19	
m:	70TA4415/03	
n:	70TA4415/11	
o:	70TA4415/18	
p:	25PT4455/00	
q:	25PT4475/01	
r:	25PT4475/05	
s:	28PT4104/58	
t:	28PT4455/00	

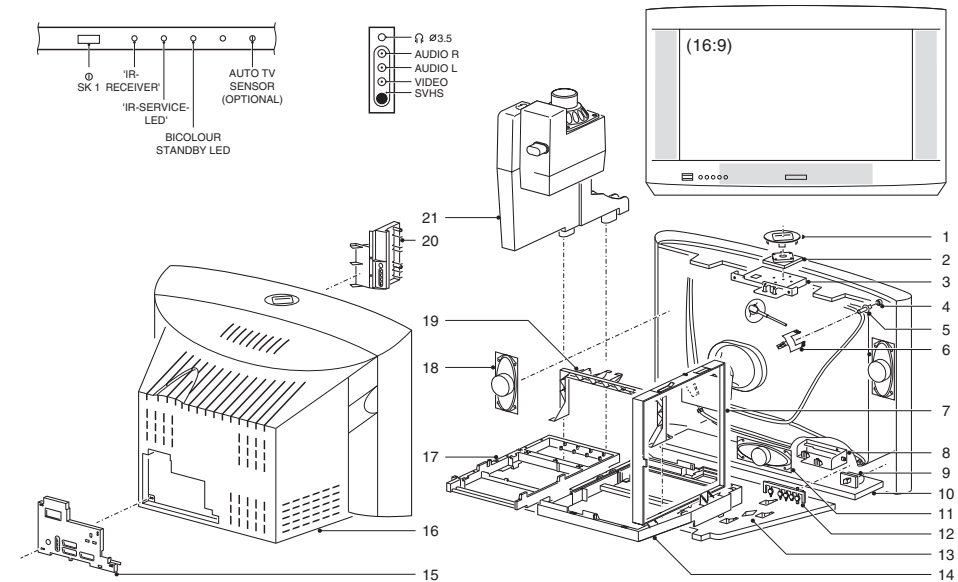
STYLING 224



STYLING 224.AI
190899

1	3104 304 20920	Keypad	4822 131 11311	Picture tube A68ESF002X143
2	4822 464 10475	Bracket top control	3104 207 09550	Remote control RC2030/01
3	Not present		4622 009 50770	Mains cord
4	4822 505 11195	Picture tube screw	4822 157 11675	Degaussing coil
5	4822 403 70906	Bracket fix deg. Coil	4822 240 10381	Surround sound box
6	3104 304 19650	Frame for supply panel		
7	4822 402 11176	Bracket mains unit		
8	4822 410 12069	Mains knob		
9	3104 307 93870	Cabinet		
10	4822 240 10331	Loudspeaker 8Ω12W		
11	3104 304 19810	Light guide		
12	4822 466 12141	Bottom plate		
13	3104 304 19580	Frame for LSP		
14	3104 304 93760	Coverplate		
15	3104 307 95460	Rear cover		
16	4822 464 10474	Frame for SSP		
17	4822 240 10331	Loudspeaker 8Ω12W		
18	3104 304 20260	LOT support bracket		
19	4822 402 11175	Bracket side IO		
20	4822 445 10834	Subwoofer box		
	4822 459 11127	Philips emblem		
	4822 459 11033	Matchline emblem		
	4822 492 11079	Spring for mains switch		
	3104 304 20840	Blind plate side		
	3104 304 19640	Module support on SSP		

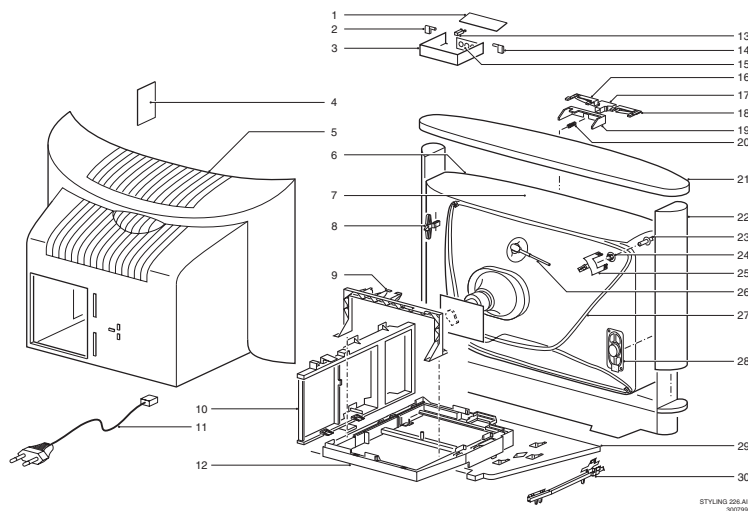
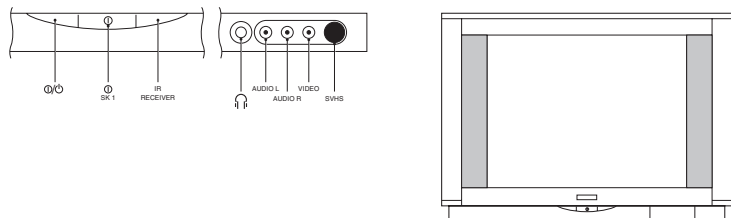
STYLING 225



STYLING 225.AI
270799

1	4822 442 01791	Cover top control	21	4822 445 10834	Subwoofer box
2	3104 304 20920	Keypad	4822 459 11127	Philips emblem 28"	
3	4822 464 10475	Bracket top control	4822 459 11161	Philips emblem 32"	
4	4822 404 31294	Insert 32"	4822 459 11033	Matchline emblem	
5	4822 505 11195	Picture tube screw 28"	4822 492 11079	Spring for mains switch	
5	4822 502 21359	Picture tube screw 32"	3104 304 20840	Blind plate side	
6	4822 403 70906	Bracket fix deg. Coil 28"+32"	3104 304 19640	Module support on SSP	
6	4822 404 31289	Bracket fix deg. Coil 32"	4822 131 20704	Picture tube W66ESF002X44	
7	3104 304 19650	Frame for supply panel	4822 131 20705	Picture tube W76ESF031X44	
8	4822 402 11176	Bracket mains unit	3104 207 09550	Remote control RC2030/01	
9	4822 410 12069	Mains knob	4622 009 50770	Mains cord	
10	4822 449 80331	Cabinet 28"	4622 009 50780	Mains cord -/05	
10	4822 449 80332	Cabinet 32"	4822 157 11825	Rotation coil	
11	4822 240 10331	Loudspeaker 8Ω 12W	4822 157 11758	Degaussing coil 28"	
12	3104 304 19810	Light guide	4822 157 11761	Degaussing coil 32"	
13	4822 466 12141	Bottom plate 28"	4822 240 10381	Surround sound box	
13	4822 442 01547	Bottom plate 32"			
14	3104 304 19580	Frame for LSP			
15	3104 307 94320	Coverplate			
16	4822 426 10819	Rear cover 28"			
16	4822 426 10817	Rear cover 32"			
17	4822 464 10474	Frame for SSP			
18	4822 240 10361	Loudspeaker combi			
19	3104 304 20260	LOT support bracket			
20	4822 402 11175	Bracket side IO			

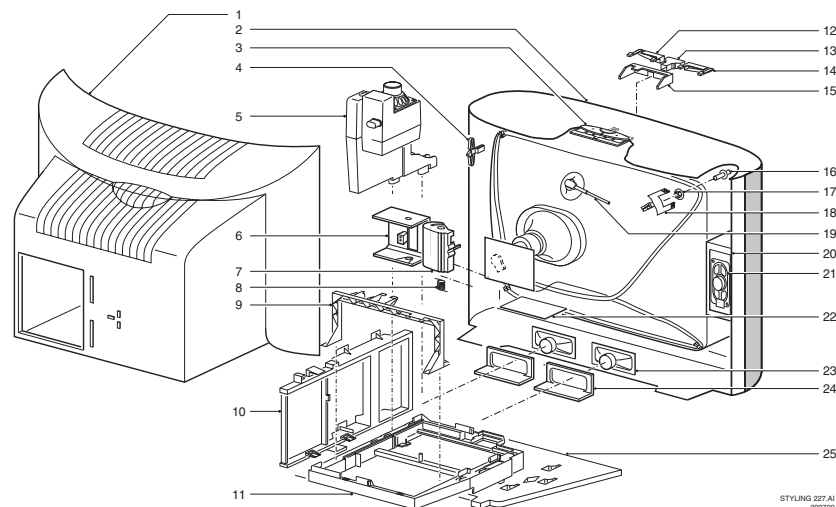
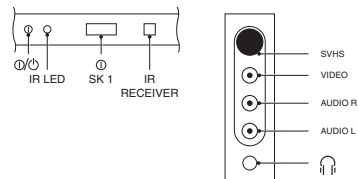
STYLING 226



STYLING 226.A1
290799

1	4822 443 10878	Door 32PW9523	21	4822 450 10433	Glass plate 32PW9523
1	4822 443 11074	Door 32PW9534	21	4822 450 10577	Glass plate 32PW9534
1	4822 443 11075	Door 32PW9544	21	4822 450 10578	Glass plate 32PW9544
2	4822 417 11339	Hinge right	22	4822 466 11773	Aluminium column
3	4822 256 10244	Holder for controls	22	4822 466 12062	Aluminium column 32PW9544
4	4822 466 11774	Blind plate for rear cover 32PW9523	23	4822 502 21359	CRT bolt
4	4822 466 12061	Blind plate for rear cover 32PW9534	24	4822 404 31294	CRT fixation VP19100
4	4822 466 12063	Blind plate for rear cover 32PW9544	25	4822 404 31289	Bracket fix degaussing coil (2x)
5	4822 426 10578	Back cover 32PW9523	25	4822 403 70906	Bracket fix degaussing coil (2x)
5	4822 426 10731	Back cover 32PW9534	26	4822 320 20238	EHT cable
5	4822 426 10732	Back cover 32PW9544	27	4822 157 11761	Degaussing coil
6	Not available		28	4822 240 10321	Squeeter (10W)
7	3104 328 05930	Cabinet 32PW9523	29	3104 304 21460	Bottom plate
7	3104 328 05940	Cabinet 32PW9534	30	4822 404 31291	Holder for mains cord
7	3104 328 05950	Cabinet 32PW9544		4822 445 10616	Subwoofer box
8	4822 402 10198	Bracket fix rear cover		4822 454 13376	Wordmark "Philips" 32PW9523
9	4822 402 11177	LOT support bracket		4822 454 13398	Wordmark "Philips" 32PW9534
10	3104 304 21480	Frame for SSP		4822 454 13399	Wordmark "Philips" 32PW9544
11	4822 321 11448	Mains cord		4822 529 10347	Shock absorber (8x) on back cover
11	4622 007 51850	Mains cord UK		4822 402 10907	Plug left 32PW9523
12	3104 304 21470	Frame for LSP		4822 402 11178	Plug left 32PW9534
13	4822 417 50258	Locking mechanism		4822 402 11181	Plug left 32PW9544
14	4822 417 11341	Hinge left		4822 402 10908	Plug right 32PW9523
15	4822 410 10584	Knobframe controls		4822 402 11179	Plug right 32PW9534
16	4822 450 10092	Window right		4822 402 11182	Plug right 32PW9544
17	4822 410 10348	Mains knob		3104 304 21660	Connector plate 32PW9523
18	4822 450 10091	Window left		3104 304 21680	Connector plate 32PW9534
19	3104 304 21550	Support for mains switch		3104 304 21670	Connector plate 32PW9544
20	4822 492 11079	Spring for mains knob		4822 157 11825	Rotation coil
				4822 131 20705	Picture tube W76ESF031X44
				3104 207 09560	Remote control RC2031/01

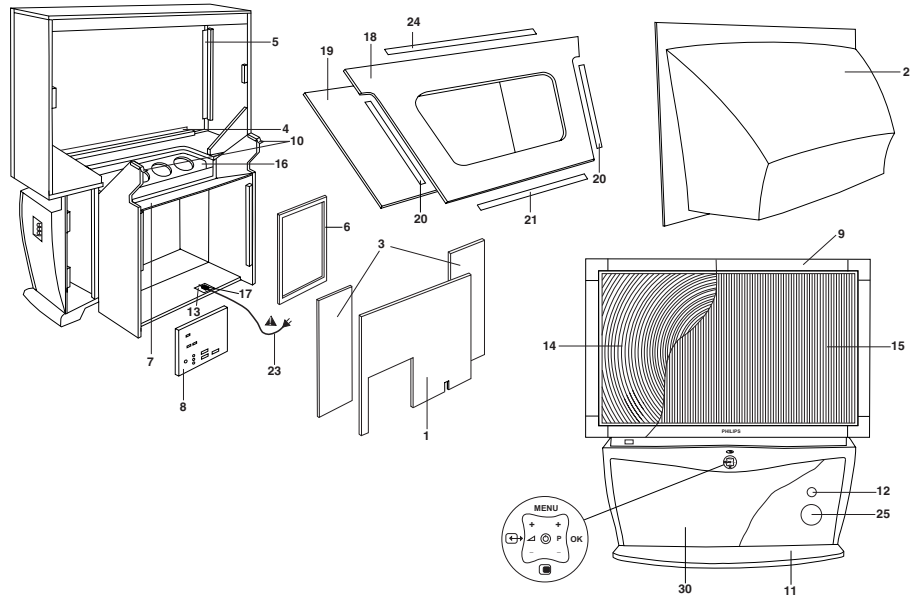
STYLING 227



STYLING 227.A1
290799

1	4822 426 10189	Rear cover 28"	17	4822 532 12243	Insert 28" VP17100
1	3104 307 95600	Rear cover 28" -/19	17	4822 502 21359	Insert 32" VP19100
1	4822 426 10319	Rear cover 32"	18	4822 403 70906	Bracket fix deg. coil 28" (32" 2x)
1	3104 307 95610	Rear cover 32" -/19	18	4822 404 31289	Bracket fix deg. coil 32" (2x)
2	3104 307 95560	Cabinet 28"	19	4822 320 20234	EHT cable 28"
2	3104 307 95580	Cabinet 28" -/19	19	4822 320 11108	EHT cable 32"
2	3104 307 95570	Cabinet 32"	20	4822 402 10361	Bracket for loudspeaker 28"
2	3104 307 95590	Cabinet 32" -/19	21	4822 240 10321	Loudspeaker
3	4822 410 10349	Buttons top control	22	Not present	
3	3104 307 95630	Buttons top control -/19	23	Not present	
	4822 466 10934	ESD cap	24	4822 402 10362	Bracket for centre speaker
4	4822 466 10933	Protection plate	25	3104 304 21460	Bottom plate
4	4822 402 10198	Bracket fix rear cover		4822 417 50258	Locking unit for toblerone
5	4822 445 10616	Subwoofer box		3104 304 21490	Connector plate
6	4822 402 10145	Holder for Toblerone		4822 459 11154	Matchline emblem
7	4822 402 10183	Toblerone		4822 459 11127	Philips emblem 28"
7	3104 307 95620	Toblerone -/19		4822 459 11161	Philips emblem 32"
8	4822 492 11341	Spring for toblerone		4822 492 11079	Spring for mains switch
9	4822 402 11177	LOT support bracket		4622 001 60252	Mains cord
10	3104 304 21480	Frame for SSP		4822 157 11825	Rotation coil
11	3104 304 21470	Frame for LSP		4822 157 11758	Degaussing coil 28"
12	4822 450 10092	Window right		4822 157 11761	Degaussing coil 32"
13	4822 410 10348	Mains knob		4822 131 20704	Picture tube W66ESF002X44
14	4822 450 10091	Window left		4822 131 20705	Picture tube W76ESF031X44
15	3104 304 21550	Bracket for mains switch		3104 207 09540	Remote control RC2020/01
16	4822 500 30034	Picture tube screw 28"			
16	4822 502 21359	Picture tube screw 32"			

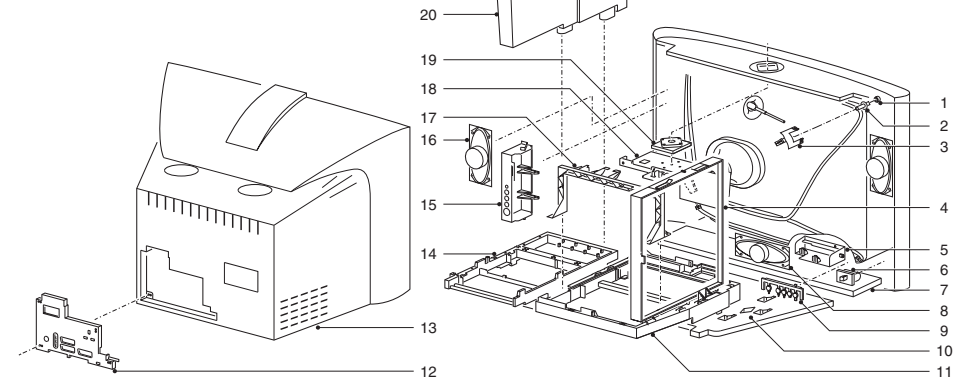
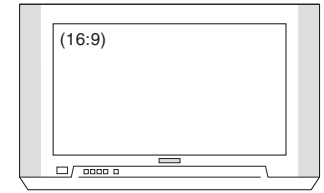
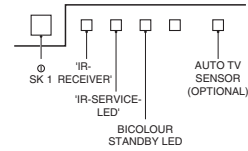
STYLING 228



STYLING 228.AI
200899

1	3135 013 03301	Center-lower back cover	23	4835 321 17126	Mains cord Europe
2	3135 014 08022	Cabinet back, 46"	23	3139 128 75350	Mains cord UK
2	3135 014 08032	Cabinet back, 55"	24	3135 014 03491	Mouting bracket mirror to board (top) 46"
3	3135 013 03311	End-lower back cover (2 used)	24	3135 014 03471	Mounting bracket, mirror to board (top) 55"
4	3135 014 09101	Screen extrusion, horizontal 46" (2 used)	25	2422 264 00348	Speaker, 25W, tweeter (2 used)
4	3135 014 09121	Screen extrusion, horizontal 55" (2 used)	0070 613 30001	0070 613 30002	Optical assembly, 16x9 EURO 46"
5	3135 014 09111	Screen extrusion, vertical 46" (2 used)	0070 613 30002	0070 613 30002	Optical assembly 16x9 EURO 55"
5	3135 014 09131	Screen extrusion, vertical 55" (2 used)	3104 207 09550	3104 207 09550	Remote transmitter, RC2030/01B
6	3135 014 09291	MG power supply frame	3135 013 02761	3135 013 02761	Baffle mount, receptacle (6 used)
7	3135 013 03121	Back barrier 46"	3135 016 07961	3135 016 07961	Bottom tray 55"
7	3135 013 03191	Back barrier 55"	3135 011 04211	3135 011 04211	Power supply bracket
8	3135 014 07692	Rear jack panel	3135 013 03201	3135 013 03201	Front panel cover
9	3135 017 02941	46" Frame	3135 014 09022	3135 014 09022	"46" Screen filter
9	3135 017 02951	55" Frame	3135 014 09032	3135 014 09032	"55" Screen filter
10	3135 011 02021	Mirror board mounting bracket (2 used)	3135 014 09281	3135 014 09281	Chassis frame
11	3135 017 03681	Base rail	3135 015 14691	3135 015 14691	Rear jack panel overlay
12	2422 264 00344	Speaker, 25W woofer (2 used)	3135 017 03621	3135 017 03621	Side jack panel frame
13	3135 011 00850	AC cord retainer	3135 017 03631	3135 017 03631	End cover
14	3135 014 08461	Fresnel screen 46"	3135 017 03982	3135 017 03982	Button, AC switch
14	3135 014 08481	Fresnel screen 55"	4835 240 77099	4835 240 77099	Crossover assembly
15	3135 014 08451	Lenticular screen 46"	4835 528 77071	4835 528 77071	Caster (4 used)
15	3135 014 08471	Lenticular screen 55"	3122 785 90002	3122 785 90002	Convergence template 46"
16	3135 014 02061	Light barrier	3122 785 90003	3122 785 90003	Convergence template 55"
17	3122 224 04620	Mains cord, relief			
18	3135 013 03111	Mirror board 46"			
18	3135 013 03041	Mirror board 55"			
19	3135 013 03061	1st mirror 46"			
19	3135 013 03071	1st mirror 55"			
20	3135 014 03451	Mounting bracket, mirror to board (2 used)			
21	3135 014 03461	Mounting bracket, mirror to board (bottom) (1 used)			

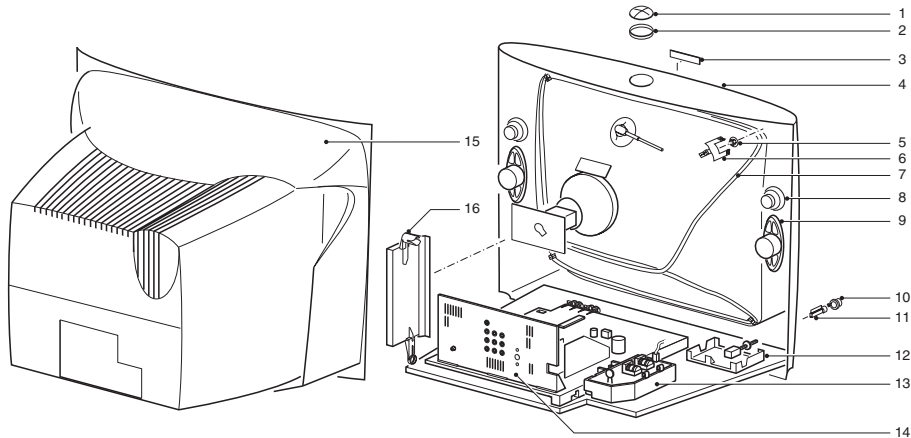
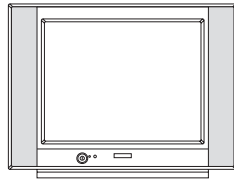
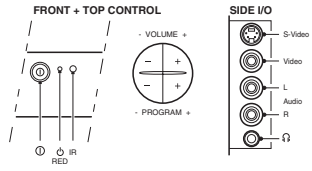
STYLING 229



STYLING 229.AI
180899

1	4822 404 31294	Insert 32" VP19100	3104 300 12080	3104 300 12080	Matchline emblem
2	4822 505 11195	Picture tube screw 28"	4822 492 11079	4822 492 11079	Spring mains switch
2	4822 502 21359	Picture tube screw 32"	3104 304 19640	3104 304 19640	Module support bracket on SSP
3	4822 403 70906	Bracket fix deg. coil (2x) 28"	3104 304 20300	3104 304 20300	Bracket for DAF panel
3	4822 404 31289	Bracket fix deg. coil (2x) 32"	3104 304 21380	3104 304 21380	Speaker box
3	3104 304 21090	Bracket fix deg. coil (2x)	2322 460 91634	2322 460 91634	DAF potmeter
4	3104 304 19650	Frame for supply panel	2422 549 44248	2422 549 44248	Degaussing coil 28"
5	4822 402 11176	Bracket mains unit	2422 549 44244	2422 549 44244	Degaussing coil 32"
6	3104 304 20790	Mains knob	4822 157 11825	4822 157 11825	Rotation coil
7	3104 307 95240	Cabinet 28"	9301 827 70306	9301 827 70306	Picture tube W76ERF031X44
7	3104 307 95190	Cabinet 32"	9301 828 00306	9301 828 00306	Picture tube W66ERF031X44
8	2422 257 20547	Loudspeaker centre	3104 207 09580	3104 207 09580	Remote control RC2033/01B
9	3104 304 20800	Light guide	4622 009 50772	4622 009 50772	Mains cord
10	4822 466 12141	Bottom plate	4622 009 50782	4622 009 50782	Mains cord -/05
11	3104 304 19580	Frame for LSP			
12	4822 466 12209	Coverplate			
13	3104 307 95250	Rear cover 28"			
13	3104 307 95200	Rear cover 32"			
14	4822 464 10474	Frame for SSP			
15	3104 304 20990	Bracket side IO			
16	3104 130 01230	Loudspeaker combi			
17	3104 304 20260	LOT support bracket			
18	4822 464 10475	Bracket top control			
19	3104 304 21630	Keypad			
20	4822 445 10834	Subwoofer box			
	4822 454 13455	Philips emblem 28"			
	4822 454 13399	Philips emblem 32"			

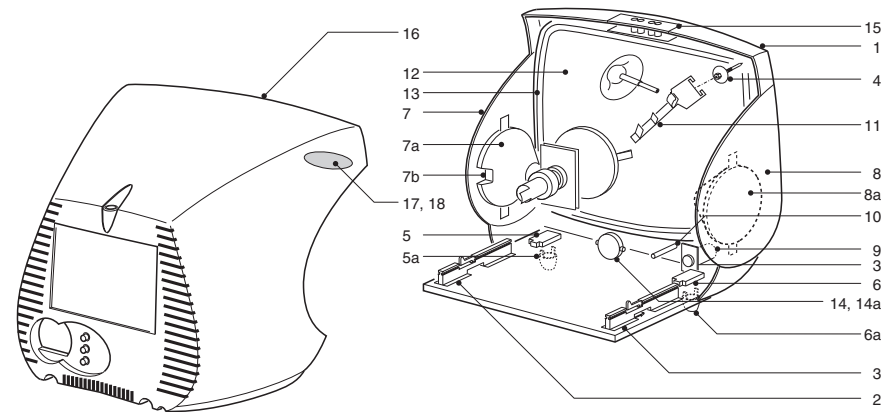
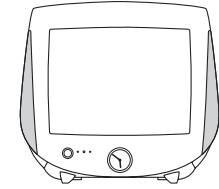
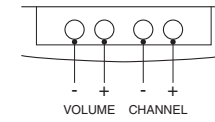
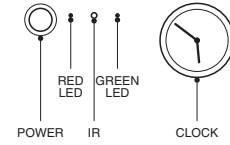
STYLING 230



STYLING 230.AI
270799

- | | | |
|----|----------------|--|
| 1 | 3139 137 66920 | Top control cover & holder |
| 3 | 4822 459 11127 | Wordmark PHILIPS |
| 4 | 3139 137 64690 | Cabinet |
| 5 | 4822 500 30034 | CRT Screw |
| 6 | 3139 124 31120 | Degaussing coil clamp |
| 7 | 3139 128 23780 | Degaussing coil |
| 8 | 2499 297 26222 | 2" Tweeter 8Q5W |
| 9 | 2422 264 00356 | Loudspeaker 8Ω 8W 058x126 |
| 10 | 3139 124 30400 | Mains knob |
| 11 | 3139 124 30540 | Mains knob shalf |
| 12 | 3139 124 30430 | Front IR/LED/Mainsswitch bracket |
| 13 | 4822 402 11113 | Mains filter bracket |
| 14 | 3139 124 31360 | Rear jack bracket
(PIP/double window) |
| 15 | 3139 124 30370 | Rear cover |
| 16 | 3139 124 30420 | Side AV bracket |
| | 9322 142 09682 | 29" CRT A68QCP891X001 |
| | 3139 128 75750 | 1x10W Sub woofer box |
| | 3139 124 30410 | Light guide |
| | 4822 532 61201 | Spacer (for EHT cable) |
| | 4822 402 11116 | Heatsink bracket |
| | 4822 402 11155 | PIP/double window bracket |
| | 3139 124 30380 | Top control bracket |
| | 4822 401 11764 | Mains cord relief |
| | 5322 390 20011 | Silicon grease for EHT cap |
| | 4822 218 21006 | Antenna mixer adaptor
(/71 only) |

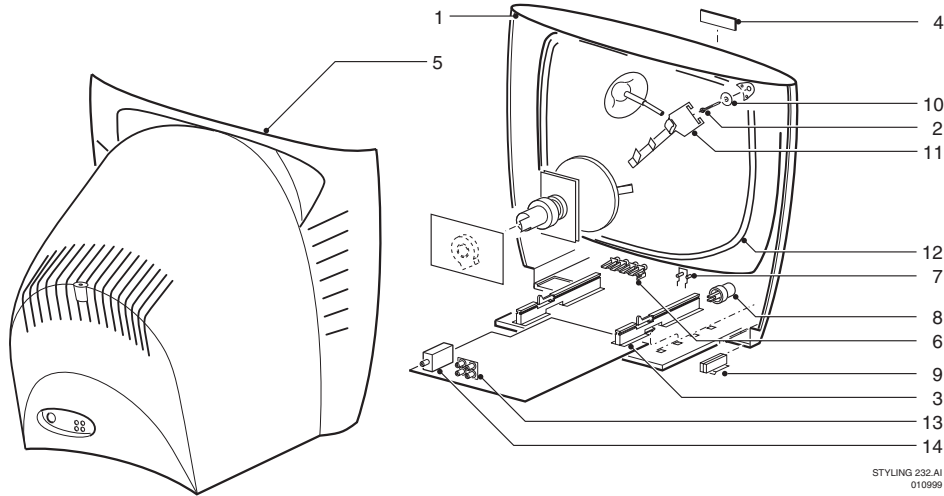
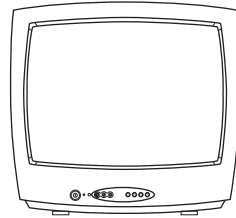
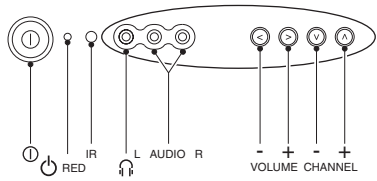
STYLING 231



STYLING 231.AI
010999

- | | | |
|-----|----------------|-------------------------|
| 1 | 3139 137 68301 | Cabinet |
| 2 | 3139 124 24751 | Chassis guide (HB) |
| 3 | 3139 124 24782 | Chassis guide (VO) |
| 4 | 3139 120 41141 | Screw |
| 5 | 3139 124 30341 | Foot bracket (L) |
| 5a | 3139 124 30291 | Foot (L) |
| 6 | 3139 124 30351 | Foot bracket (R) |
| 6a | 3139 124 30301 | Foot (R) |
| 7 | 3139 124 31491 | Speaker cover plate (L) |
| 7a | 3139 137 66531 | Speaker grille (L) |
| 7b | 2422 264 00334 | Loudspeaker 16Ω/4W |
| 8 | 3139 124 31501 | Speaker cover plate (R) |
| 8a | 3139 137 66541 | Speaker grille (R) |
| 9 | 3139 137 66581 | Mains knob |
| 10 | 3139 124 31391 | Light guide |
| 11 | 3139 124 10113 | Degaussing coil bracket |
| 12 | 9322 137 68682 | CRT A34AGT13X95 |
| 13 | 3139 128 23151 | Degaussing coil |
| 14 | 3139 128 75761 | Clock assembly |
| 14a | 3139 124 30311 | Clock bracket |
| 15 | 3139 137 68451 | Top control bracket |
| 16 | 3139 137 66151 | Rear cover |
| 17 | 3139 137 66551 | Cover plate (L) |
| 18 | 3139 137 66561 | Cover plate (R) |
| a: | 14PT3682/... | |

STYLING 232

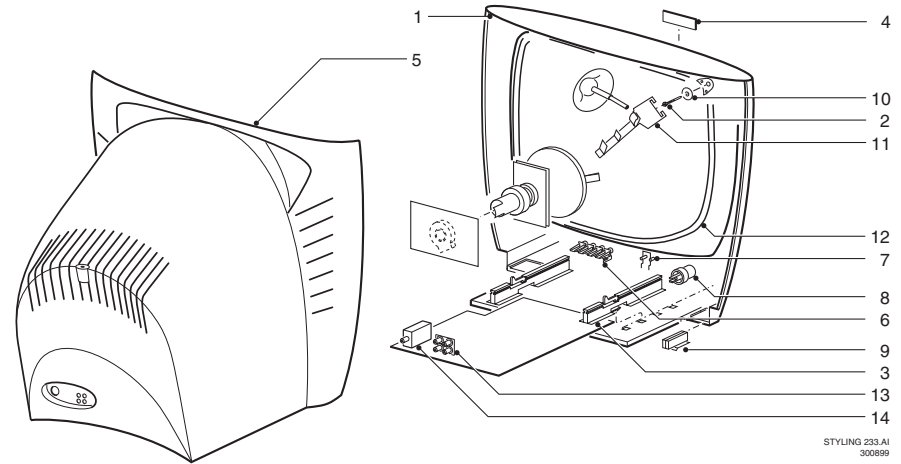
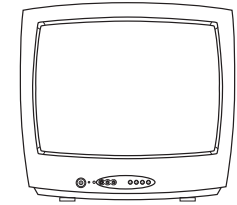
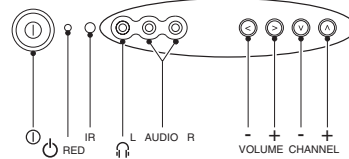


STYLING 232.AI
010999

1abc	3139 137 61191	Cabinet
1d	3139 137 61071	Cabinet
1e	3139 137 60341	Cabinet
1fg	3139 137 60521	Cabinet
2	4822 502 14071	Screw steel
3	4822 463 11126	Chassis guide
4	3111 250 00051	Wordmark
5ac	3139 137 62321	Rear cover
5b	3139 137 62311	Rear cover
5d	3139 137 56041	Rear cover
5e	3139 137 62341	Rear cover
5fg	3139 137 56271	Rear cover
6abc	4822 410 12149	Control knob
6d	4822 410 12528	Control knob
6e	3139 124 28071	Control knob
6fg	3139 124 30081	Control knob
7	3139 124 26193	Light guide
7e	3139 124 28081	Light guide
8	3139 124 26172	Mains knob
8e	3139 124 29381	Mains knob
9	4822 466 11453	Mains cord black
10	Not applicable	
11	Not applicable	
12	4822 157 11532	Degaussing coil
abf	4822 321 11493	Mains cord

cd	4822 321 11499	Mains cord
abcd	4822 240 10394	Loudspeaker
efg	4822 240 10368	Loudspeaker
	4822 131 11314	Picture tube
e	9301 738 50342	Picture tube
	4822 303 14049	Aerial, telescopic
	4822 532 61201	Spacer EHT
a:	51TA1474/03	
b:	51TA1474/05	
c:	51TA1474/11, 16, 18	
d:	51TA1254/19	
e:	52TA1474/03, 11, 16, 18	
f:	52TA1464/18	
g:	52TB1454/19	

STYLING 233

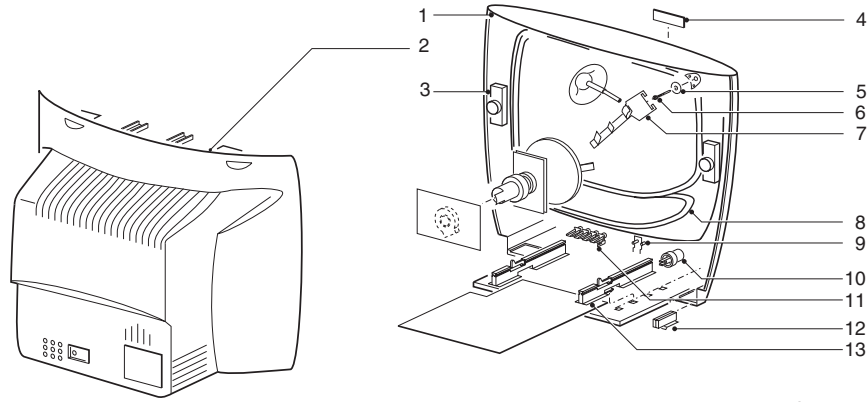
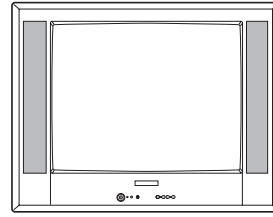
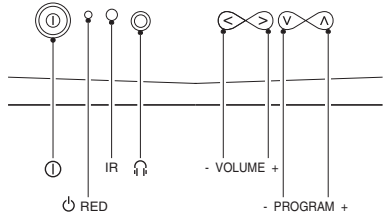


STYLING 233.AI
300899

1abf	3139 137 55641	Cabinet
1c	3139 137 68621	Cabinet
1d	3139 137 68601	Cabinet
1e	3139 137 55651	Cabinet
1h	3139 137 56141	Cabinet
1i	3139 137 61131	Cabinet
2	4822 502 13712	Screw steel
3	4822 463 11126	Chassis guide
4a	3111 250 00311	Wordmark
4bf	3111 250 00121	Wordmark
4c	3111 250 00141	Wordmark
4d	3111 250 00331	Wordmark
4ei	3111 250 00081	Wordmark
4h	3111 250 00061	Wordmark
5	3139 178 04991	Rear cover
5g	3139137 55641	Rear cover
6	4822 410 12149	Control knob
7	3139 124 31661	Light guide
8	3139 124 26172	Mains knob
9	4822 466 11453	Mains cord black
10	4822 502 14508	Washer (only d.j)
11	4822 404 31025	Bracket deg coils
12	4822 157 11888	Degaussing coil
bf	4822 321 11493	Mains cord
acdehi	4822 321 11499	Mains cord

	4822 240 10394	Loudspeaker
	4822 131 11367	Picture tube
	4822 303 14049	Aerial, telescopic
	4822 532 61201	Spacer EHT
a:	37TA1274/03=37TA1474/03	
b:	37TA1274/05	
c:	37TA1274/08	
d:	37TA1274/11	
e:	37TA1274/16=37TA1474/16	
f:	37TA1474/05	
g:	37TA1474/18	
h:	37TB1254/19	
i:	37TB1264/18	

STYLING 234

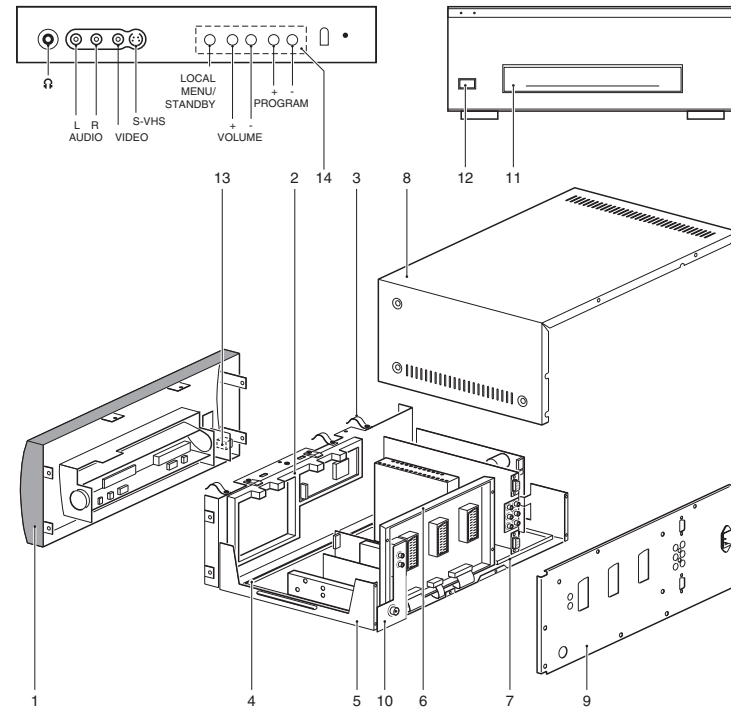


Styling 234.AI
CL. 300899

1	4822 449 80338	Cabinet 28"
1fj	3139 137 52881	Cabinet 28"
1ghik	3139 137 53351	Cabinet 28"
2	4822 426 10833	Back cover 28"
2fg	3139 137 52891	Back cover 28"
2k	3139 137 59751	Back cover 28"
3	4822 240 10368	Loudspeaker
3k	4822 240 10263	Loudspeaker
4	4822 454 11155	Plastic wordmark
4k	3111 250 00281	Plastic wordmark
ab	Not applicable	
6	4822 505 11195	Crt fixing screw
7	4822 492 71627	Bracket deg coil 28"
8	4822 157 11762	Deg. Coil 28"
9	Not applicable	
10	4822 410 11766	Mains knob
11	4822 410 12433	Control knob
11ghik	3139 124 27071	Control knob
12	Not applicable	
	4822 404 31363	Mains cord relief
	4822 131 11045	Picture tube 28"
fg	9301 711 10314	Picture tube 28"
	4822 321 11499	Mains cord

f:	28PT4275/01, 28PT4475/01
g:	28PT4375/01
h:	28PT4655/00
i:	28PT4675/01, 05
j:	28PT4255/01
k:	28SA01/05

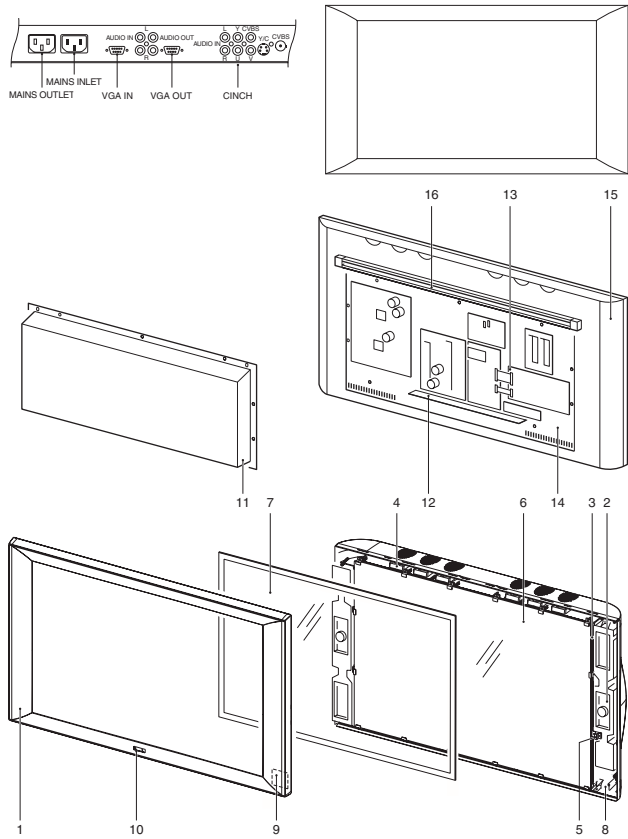
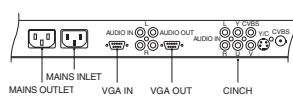
STYLING 235



STYLING 235.AI
230899

1	3122 128 13063	Front panel
2	3122 124 35641	TXT bracket
3	3122 121 66971	EMC spring front I/O
4	3122 124 35571	4 PCB bracket
5	3122 121 35642	Bottom plate
6	3122 124 35601	Rear I/O bracket
7	3122 124 35631	SSP bracket
8	3122 128 13081	Top plate painted
9	3122 128 13001	Connector PL
10	Not available	
11	3122 128 13012	Door
12	3122 128 13131	Mainsknob
13	3122 124 35612	Lightguide
14	3104 308 76591	Controlknob assy
	3139 117 72651	Wordmark PHILIPS
	9322 127 27676	IR LED
	3122 121 35631	Front shield
	3104 308 76481	Front connections
	3139 117 85331	Leg silver
	3104 304 16374	SSP locking unit
	3104 317 91971	Box supply NEDAP
	4622 007 51971	Mains cord FTR9952/12
	2422 070 98107	Mains cord FTR9952/19

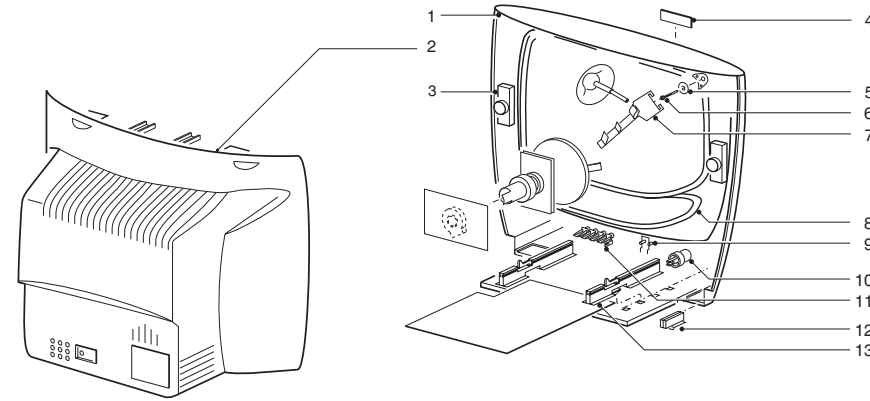
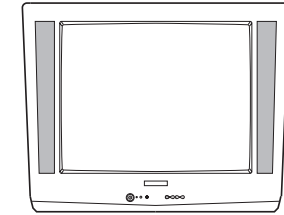
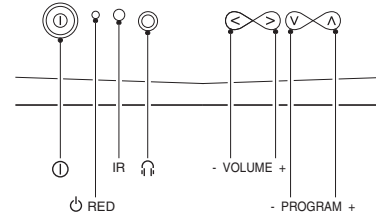
STYLING 236



STYLING236.AI
230899

1	3122 128 13171	Screen Frame Gray (Monitor-only configuration)	15	3122 128 13181	Back Display (Monitor-only configuration)
1	3122 357 20541	Screen Frame Purple	16	3122 121 66951	Mount Profile
1	3122 357 20551	Screen Frame Blue		3122 121 66961	Wall mount profile
1	3122 357 20561	Screen Frame Green		4822 310 11182	Mounting kit assembly
1	3122 357 20571	Screen Frame Champagne		4822 263 50216	MAC adapter
1a'	3122 128 13162	Screen Frame Silver		4822 462 10981	Wall spacer
2	3104 130 01391	Loudspeaker Assembly		3122 121 66971	EMC spring
3	3122 121 66931	EMC Strip		3122 121 67021	EMC strip
4	3104 301 09352	Fan	ab	2422 070 98107	Mains cord UK/FR
5	3122 121 35601	Glass Clip	ab	4622 007 51971	Mains cord WE
6	9322 137 15682	Display	c	3122 358 75802	Mains cord
7	3122 124 90741	Glass plate		3122 358 75921	VGA CABLE 2M
8	3122 128 13141	Mains knob		3122 358 75931	VGA CABLE 5M
9	3122 124 35651	Light guide		3122 358 76021	VGA CABLE 10M (Only total configuration)
10	3104 300 11991	Wordmark PHILIPS			
11	3122 128 13031	Board encasing	a:	42PF9952/12S/19S	
12	3122 128 13121	Connector plate	b:	42FD9932/01G/01S	
13	2422 015 13083	PCB hinged lock	c:	42FD9932/17G	
14	3122 121 35611	Back cover			
15	3122 124 35561	Back display (Only total configuration)			

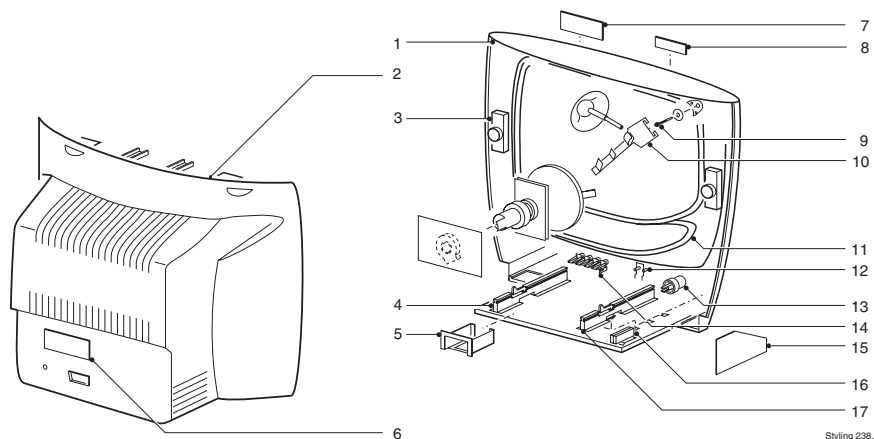
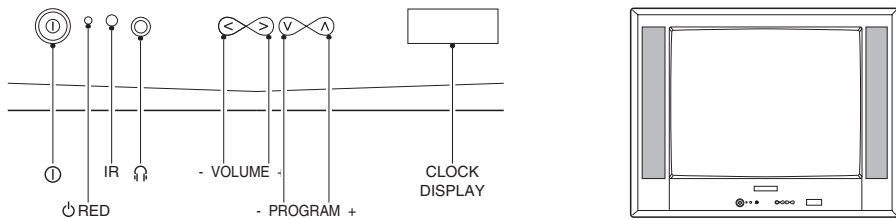
STYLING 237



Styling 237.AI
CL 300899

1	4822 449 80244	Cabinet painted 25" WA
1	4822 449 80247	Cabinet painted 29" winA
1	4822 449 80246	Cabinet painted 29" winA-Br
2	4822 426 10617	Back cover 25" WA
2	4822 426 10622	Back cover 29" WA
2	4822 426 10621	Back cover 29" WA-Br
3	4822 240 10263	Loudspeaker fulr 126x58 5W 8Ω 25", 29"
3	4822 240 10187	Loudspeaker fulr 126x58 5W 8Ω 29"
4	4822 454 13041	Plastic wordmark (55x12)
6	4822 502 14361	Screw 25" only
7	4822 402 10124	Tube spacer 25" only
7	4822 404 31434	Coil clamp 25" only
7	4822 492 71627	Bracket deg coil 29" only
8	4822 157 11536	Deg. coil 25" single volt
8	4822 157 11537	Deg. coil 25" multi volt
8	4822 157 11551	Deg. coil 29" single volt
8	4822 157 11549	Deg. coil 29" multi volt
9	3122 124 35651	Light guide
10	4822 410 11766	Mains knob
11	4822 410 11765	Control knob assy
12	4822 404 31363	Mains cord relief
13	4822 463 11226	Chassis guide for /67R and /77R
13	4822 463 11225	Chassis guide NOT for /67R and /77R
13	4822 463 11226	Chassis guide

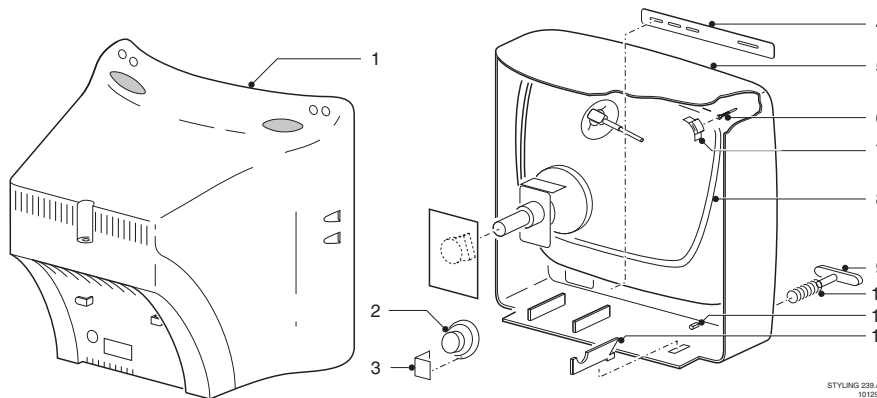
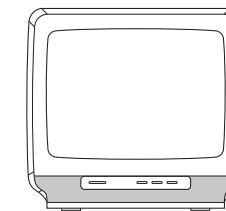
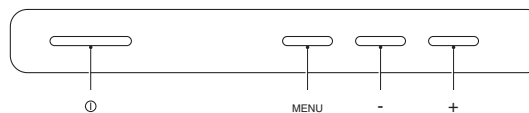
STYLING 238



Styling 238.A1
081299

1a	3139 137 65481	Cabinet 25"	a:	25HT5403/01Z/21R
1b	3139 137 66031	Cabinet 28"	b:	28HT5403/01Z/21R
2a	3119 104 27811	Back cover 25"		
2b	3119 104 27830	Back cover 28"		
3	4822 240 10263	Loudspeaker (8Ω/5W)		
4	3139 124 30881	Chassis guide (VO)		
5	3135 014 08741	Bracket fix. System Card		
6	3139 124 30571	Cap (for -/01Z)		
	3119 104 27901	Cap (for -/21R)		
7	3119 107 05061	Clock display lens		
8	4822 459 11155	Plastic wordmark		
9	4822 505 11195	CRT fixing screw		
10	3104 304 14411	Coil clamp		
	3111 254 23481	Bracket deg. coil		
11a	4822 157 11674	Deg. coil 25"		
11b	4822 157 11762	Deg. coil 28"		
12	4822 380 10251	Light guide		
13	3139 124 30581	Mains knob		
14	4822 410 12433	Control knob		
15	4822 404 31327	Bracket fix. EPS panel		
16	4822 404 31363	Mains cord relief		
17	3139 124 30871	Chassis guide (HB)		
	4822 131 11184	Picture tube 25" (A59EAK071X11)		
	9301 711 10314	Picture tube 28" (A66EAK071X11)		
	3111 257 54731	Mains cord		

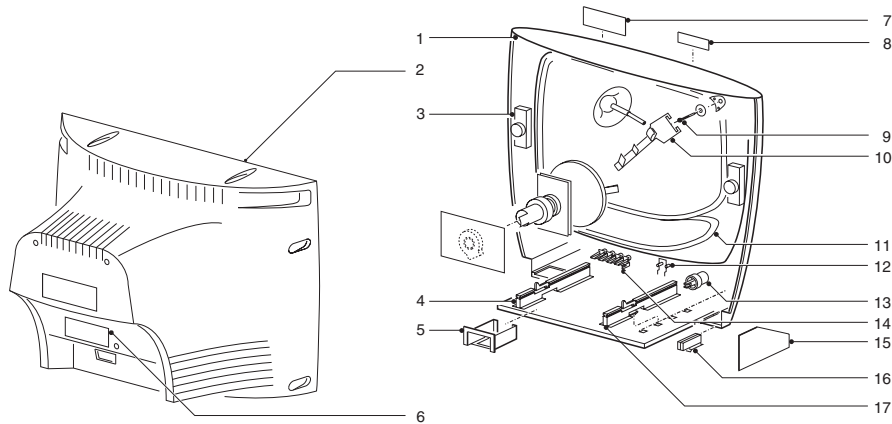
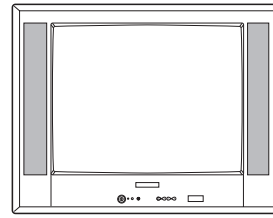
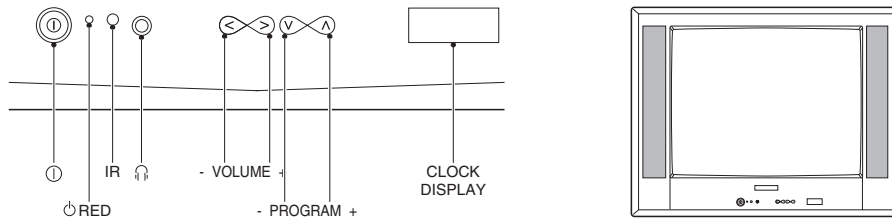
STYLING 239



STYLING 239.A1
101299

1a	3111 254 22221	Rear cover
1b	4822 426 10106	Rear cover
2	4822 240 10105	Loudspeaker 25Ω/1W
3	4822 402 10181	Bracket for fixation
4a	3111 254 08051	Window
4b	3111 254 08101	Window
5a	3111 254 08191	Cabinet
5b	3111 254 23231	Cabinet
6	4822 502 30739	Screw CRT 14"
7	4822 462 10682	CRT protection 14"
8	4822 157 11118	Degaussing coil 14"
9	4822 410 10342	Mains knob
10	Not available	
11	Not available	
12	4822 464 10096	Chassis guide
a	4822 321 11505	Mains cord for /05
b	4822 312 10814	Mains cord
	4822 131 11357	CRT A34AGT11X91
	4822 532 52543	Bushing CRT fixation
	4822 402 10179	Cable bracket for /05
	4822 462 10686	Stand for /05
	4822 303 91283	Aerial /05
	4822 464 10356	Knob frame (3 buttons)
	4822 402 10181	HP fixation
	4822 462 10682	Cap CRT protection
a:	14PT1542/05	
b:	37TA1263/58	

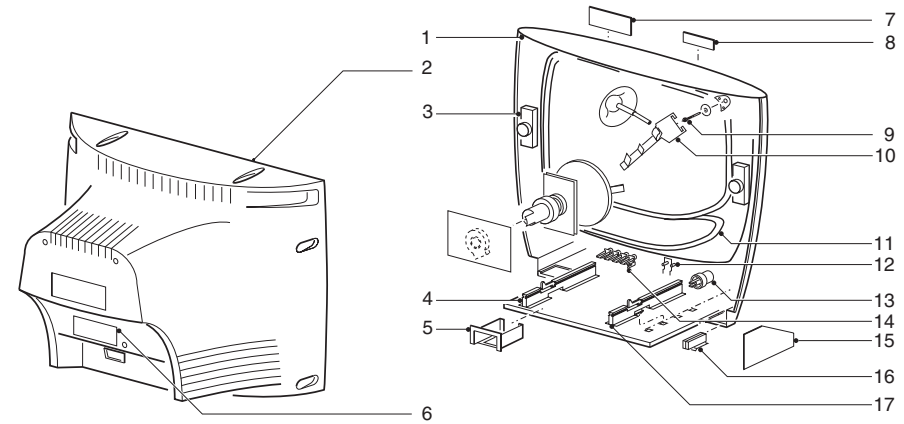
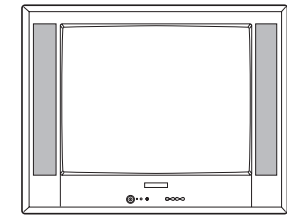
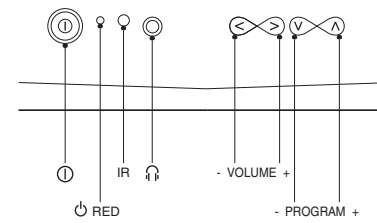
STYLING 240



Styling 240.AI
081299

1	3139 137 65661	Cabinet 21"
2	3139 137 65671	Back cover 21"
3	4822 240 10263	Loudspeaker (8Ω/5W)
4	4822 463 11125	Chassis guide (VO)
5	3135 014 08741	Bracket fix. System Card
6	3139 124 30571	Cap (for -/01Z)
7	3119 107 05061	Clock display lens
8	4822 454 13197	Plastic wordmark
9	4822 502 14071	Crt fixing screw
10	4822 404 31434	Coil clamp
11	4822 157 11532	Deg. Coil 21"
12	4822 380 10251	Light guide
13	3139 124 30581	Mains knob
14	4822 410 12513	Control knob
15	4822 404 31327	Bracket fix. EPS panel
16	4822 404 31363	Mains cord relief
17	4822 463 11126	Chassis guide (HB)
	9301 738 50342	Picture tube 21"
		A51EAL155X47
	4822 466 11453	Mains cord
	4822 401 11765	Bracket deg coil

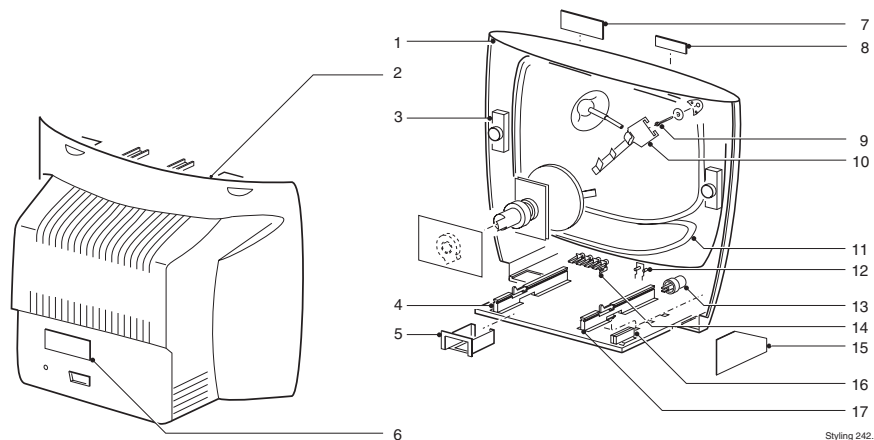
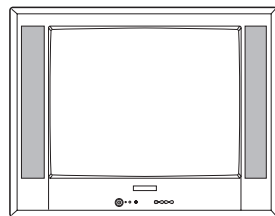
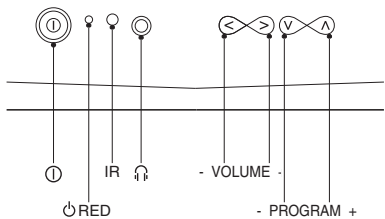
STYLING 241



Styling 241.AI
131299

1	3139 137 67361	Cabinet
2	3139 124 30621	Rear cover (21SDWA)
2	3139 124 30611	Rear cover (21WA)
3	4822 240 10368	Loudspeaker (16Ω/5W)
4	4822 463 11125	Chassis guide (VO)
5	3135 014 08741	Bracket fix. System card
6	3139 124 30571	Cap
7	Not available	
8	4822 454 13197	Wordmark
9	4822 502 14508	Screw/washer (M5X27)
10	4822 404 30901	Bracket
	3139 124 24371	Wedge
11	4822 157 11444	Degaussing coil
12	4822 380 10281	Light guide
13	3139 137 67731	Mains knob
14	3139 137 67721	Control knob
15	4822 404 31327	Bracket fix. EPS panel
16	4822 466 11453	Mains cord relief
17	4822 463 11126	Chassis guide (HB)
	3139 128 75201	Mains cord
	9322 131 77682	CRT A51KXR95X99 (MATJ) B
	4822 532 61201	Spacer EHT
	4822 532 12875	Tube spacer (3.9mm)
	3139 121 08831	Washer (4M 480)
	3139 121 08121	Washer (480 BK18)

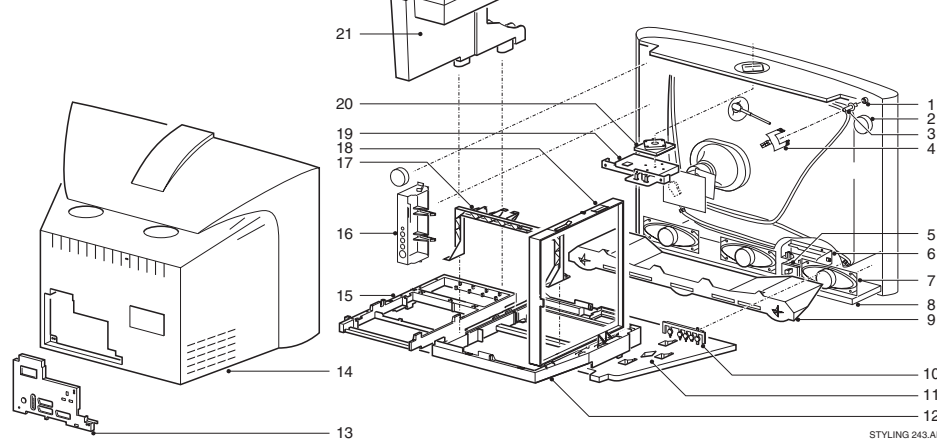
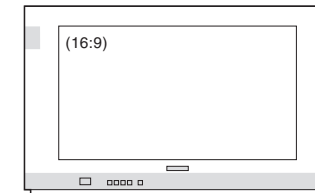
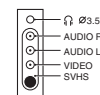
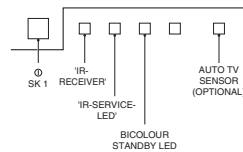
STYLING 242



Styling 242.A1
081299

1ab	3139 137 56121	Cabinet (25")	4822 532 61201	Spacer EHT cable 29"
1c	3139 137 71431	Cabinet (29")	3139 124 17541	Spacer EHT cable 25"
2a	3139 124 30171	Rear cover	3139 124 23861	Tube spacer (1.5mm)
2b	3139 124 30161	Rear cover	4822 532 12743	Tube spacer (2mm)
2c	3139 124 30141	Rear cover	3139 121 08831	Washer (4M 480 BK8)
3	4822 240 10393	Loudspeaker (8Ω6W)	3139 121 08121	Washer (VHR/02 VHR 480 BK18)
4	4822 463 11226	Chassis guide (VO)	3139 121 09081	Washer (B2P4-VHR 4M 560 BK22)
5	3135 014 08741	Bracket fix. System card	3139 121 07991	Washer (VHR 560 UL 1015 A8)
6	3139 124 30571	Cap		
7	Not available			
8	3139 120 01311	Wordmark	a:	25HT4677/57Y/69Y/94Y
9	4822 502 14361	Screw	b:	25HT4672/69R/71R/79R/94R
	4822 500 30034	Screw	c:	29HT4677/69Y
10	4822 404 31434	Coil clamp		
11ab	4822 157 11537	Degaussing coil 25" multi voltage		
11c	4822 157 11707	Degaussing coil 29" full range		
12	4822 380 10239	Light guide		
13	3139 137 67141	Mains knob		
14	3139 137 67541	Control knob		
15	4822 404 31327	Bracket fix. EPS panel		
16	4822 404 31363	Mains cord relief		
17	4822 463 11225	Chassis guide (HB)		
	3139 128 75211	Mains cord		
	4822 131 11366	CRT A59EEJ71X11		
	4822 131 11298	CRT A68ESF002X111		

STYLING 243



STYLING 243.A1
021299

1	4822 404 31294	Insert 36" VP19100	3104 304 19640	Module support bracket on SSP
2	2404 256 22443	Tweeter (2x)	3104 304 20300	Bracket for DAF panel
3	Not available		2322 460 91631	DAF potmeter 36"
4	3104 304 21090	Bracket fix deg. coil (4x)	2422 549 44242	Degaussing coil 36"
5	3104 307 95880	Mains knob	4822 157 11825	Rotation coil
6	4822 402 11176	Bracket mains unit	3104 300 50300	Picture tube W86LPX955X
7	2422 257 34442	Loudspeaker (3x)	3104 207 09580	Remote control RC2033/01B
8	3104 307 95210	Cabinet	4622 009 50772	Mains cord
9	3104 304 21380	Speaker box	4622 009 50782	Mains cord -/05
10	3104 304 20800	Light guide	3104 130 01180	Set surround sound boxes -/12
11	4822 466 12141	Bottom plate	3104 130 01300	Set surround sound boxes -/01/19/58
12	3104 304 19580	Frame for LSP	3104 130 01250	Set surround sound boxes -/05
13	4822 466 12209	Coverplate 36PW9525		
13	3104 307 94310	Coverplate 36PW9765		
14	3104 307 95220	Rear cover		
15	4822 464 10474	Frame for SSP		
16	3104 304 20990	Bracket side IO		
17	3104 304 20260	LOT support bracket		
18	3104 304 19650	Frame for supply panel		
19	4822 464 10475	Bracket top control		
20	3104 304 21630	Keypad		
21	4822 445 10834	Subwoofer box		
	3104 300 12080	Matchline emblem		
	4822 454 13399	PHILIPS emblem		
	4822 492 11079	Spring mains switch		

Personal Notes

