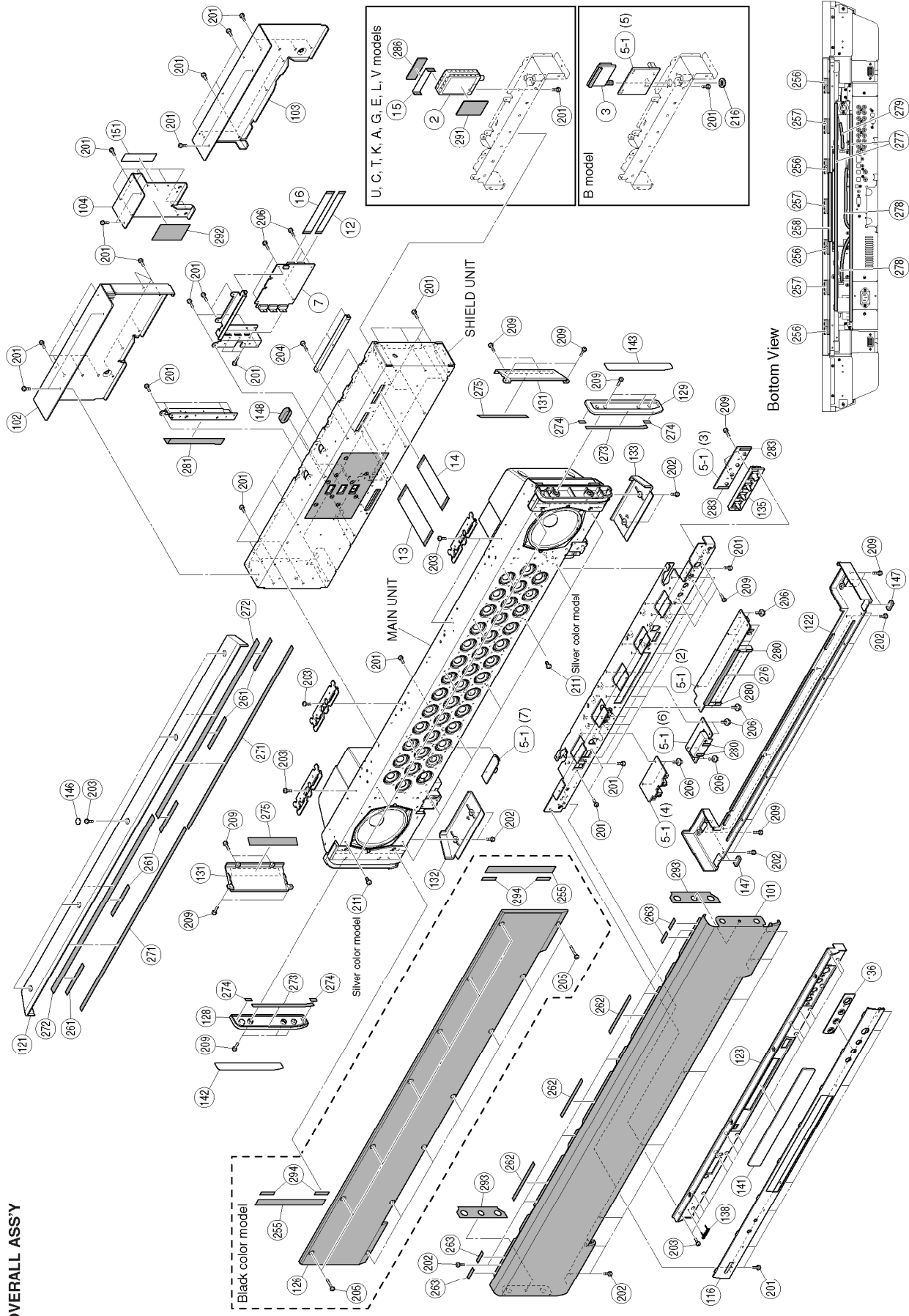


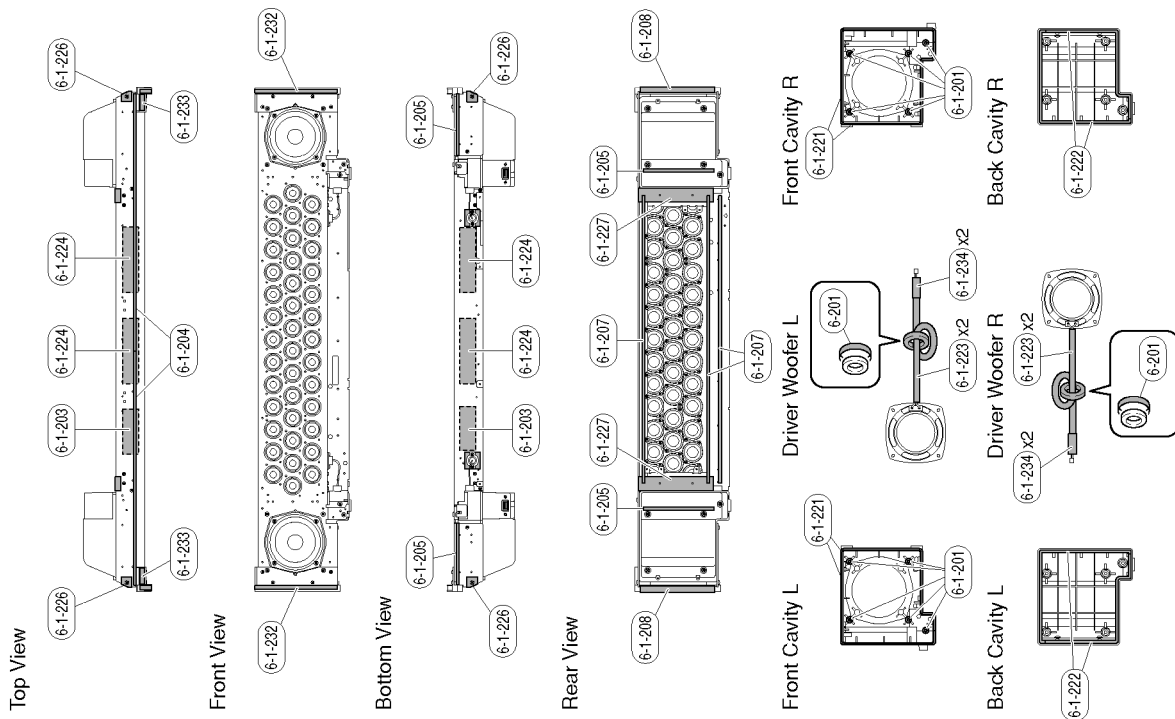
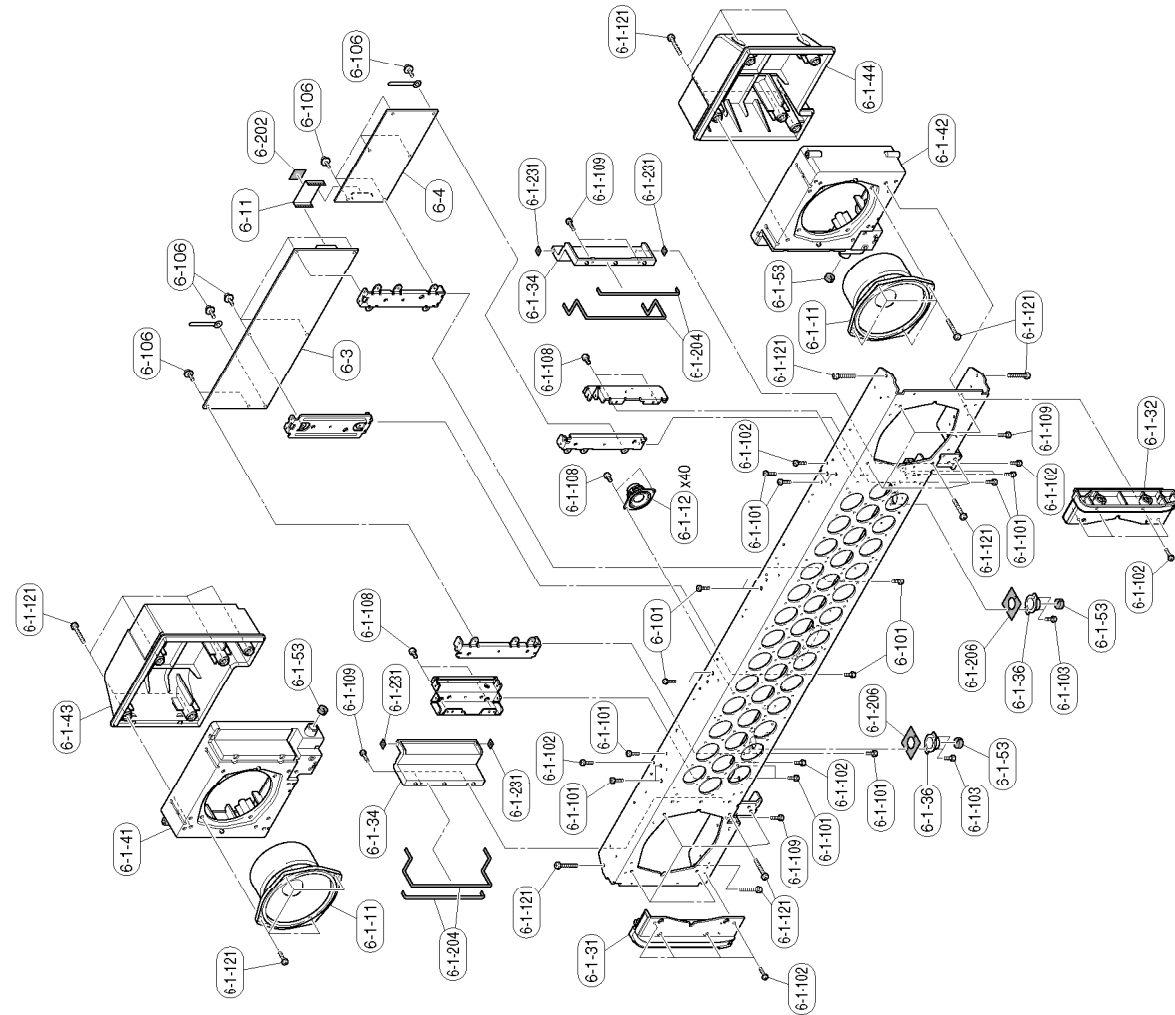
A B C D E F G H I J

YSP-4000/SP-40D/IHTY-7040

1 • OVERALL ASS'Y

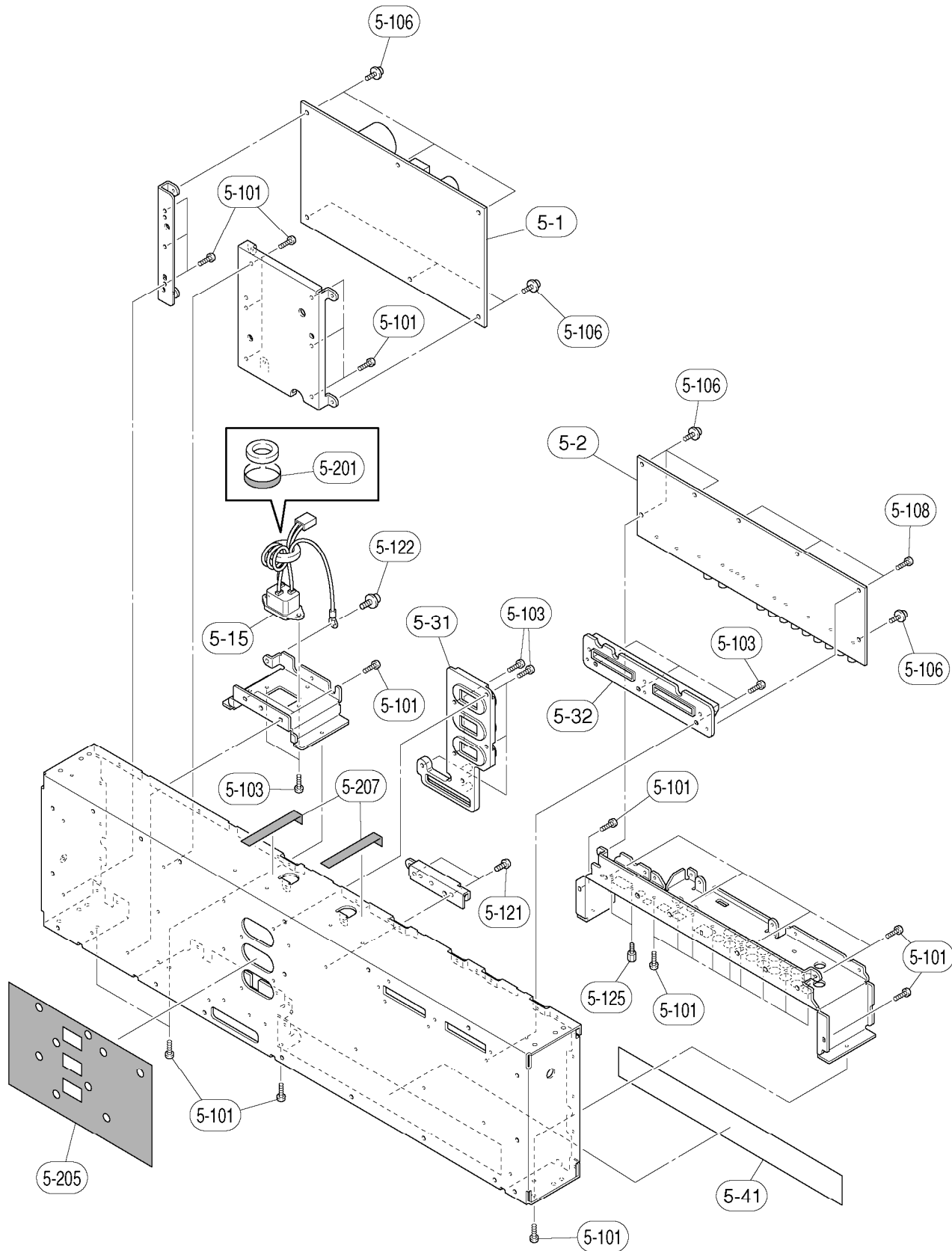


1 • MAIN UNIT

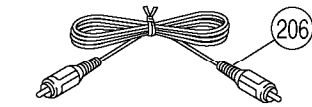
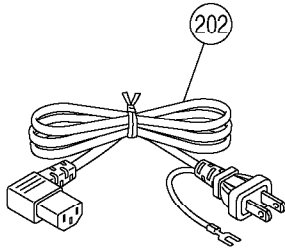
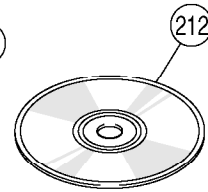
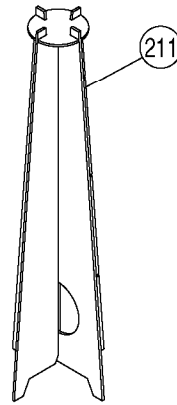
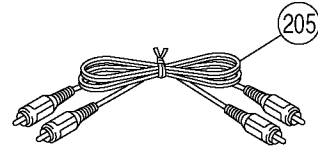
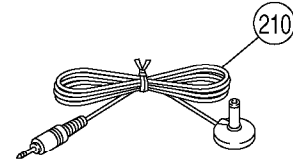
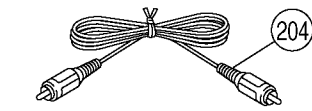
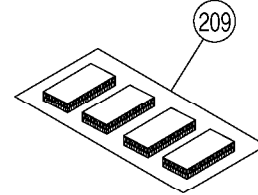
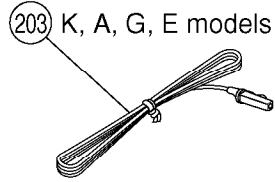
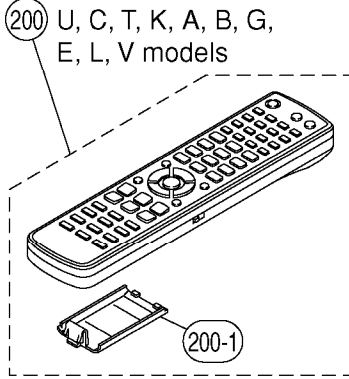
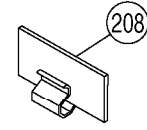
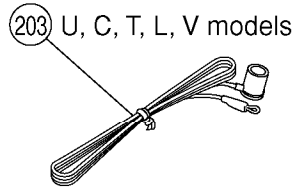
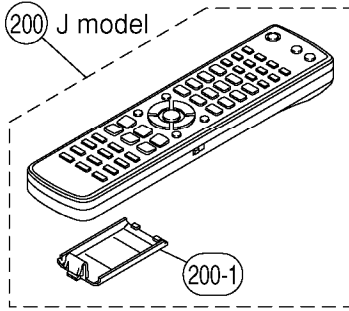


YSP-4000/YSP-40D/HTY-7040

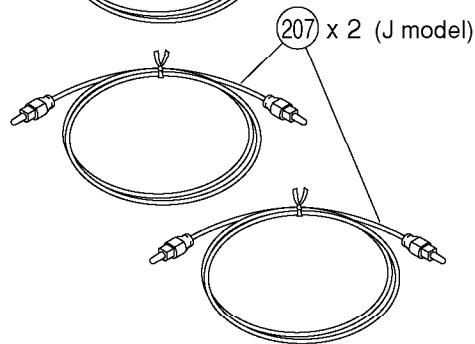
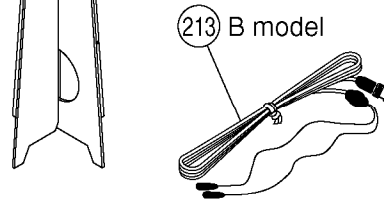
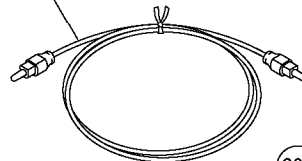
1 • SHIELD UNIT



• ACCESSORIES



207 x 1 (U, C, T, K, A, B, G, E, L, V models)



1
2
3
4
5
6
7