

PARTS LIST

[TH-A25]

* All printed circuit boards and its assemblies are not available as service parts.

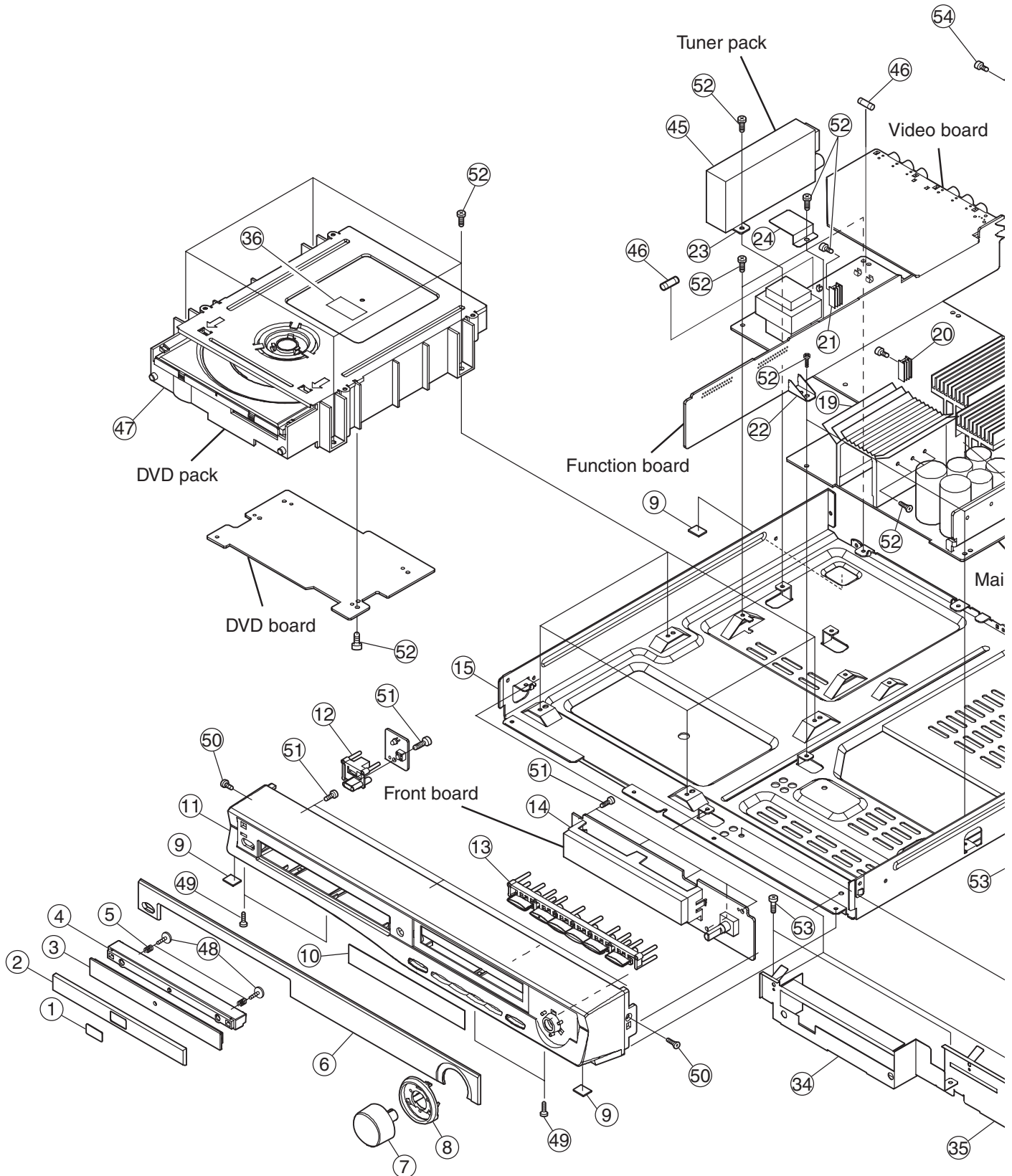
Area suffix	
B	U.K.
E	Continental Europe
EN	Northern Europe
EE	Russian Federation
EV	Eastern Europe

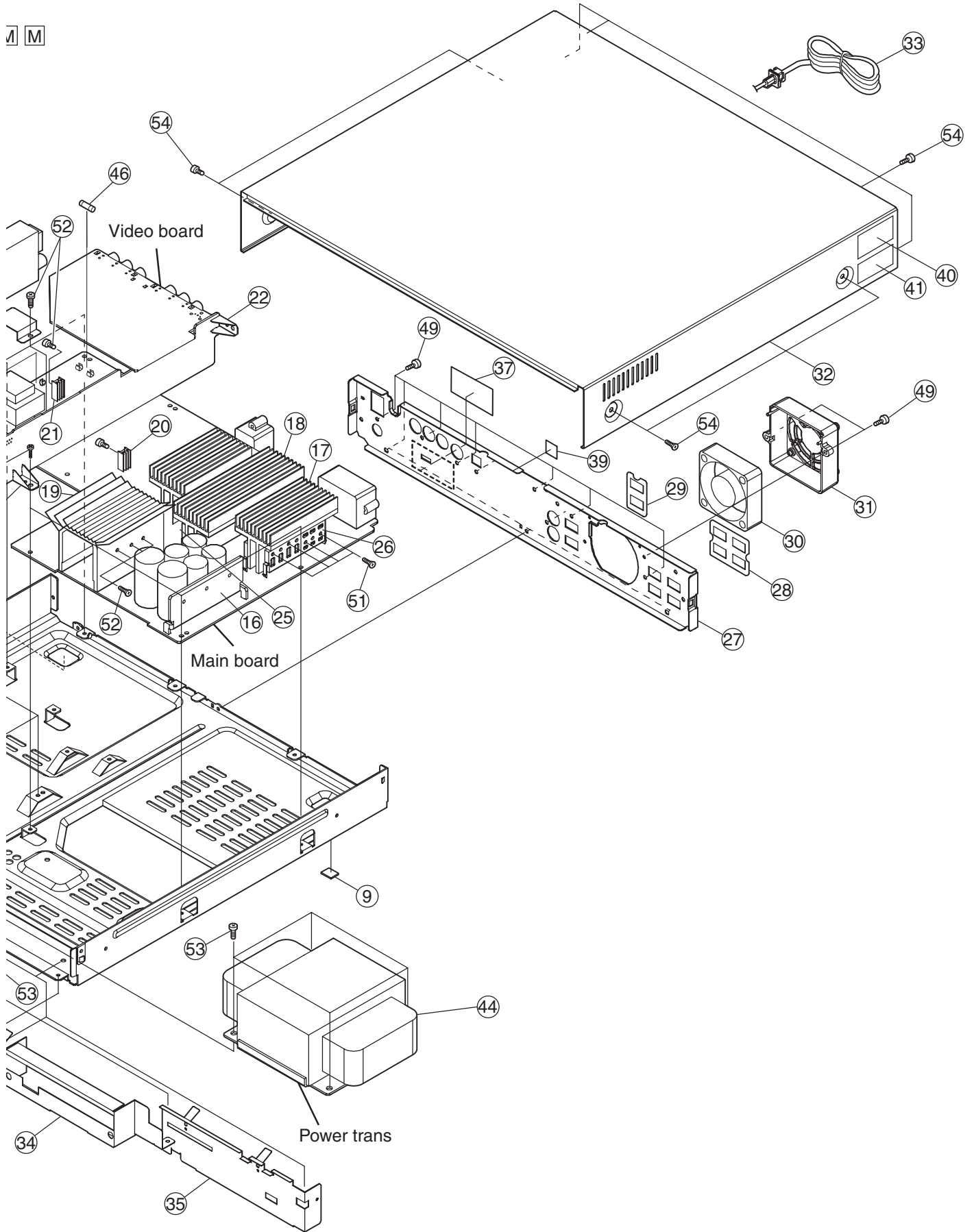
- Contents -

Exploded view of general assembly and parts list (Block No.M1)	3- 2
Electrical parts list (Block No.01~05)	3- 5
Packing materials and accessories parts list (Block No.M3)	3-16

Exploded view of general assembly and parts list

Block No. **M 1 M M**





General assembly

Block No. [M][1][M][M]

Symbol No.	Part No.	Part Name	Description	Local
1	AH64-02580A	BADGE-DVD		
2	AH64-02575B	WINDOW-CD		
3	AH64-02569A	DOOR-CD		
4	AH61-01404A	HOLDER-DOOR		
5	AH61-01325A	SPRING-DOOR	(x2)	
6	AH64-02574B	FRONT WINDOW		
7	AH64-02570A	KNOB-VOLUME		
8	AH64-02573B	DECO-VOLUME		
9	AH73-00005A	RUBBER-FOOT	(x4)	
10	AH63-00610A	FILTER-VFD		
11	AH64-02568B	CABINET-FRONT		
12	AH64-02572B	KNOB-POWER		
13	AH64-02571B	KNOB-FUNCTION		
14	AH61-01406A	HOLDER-VFD		
15	AH64-02316A	CABINET-BOTTOM		
16	AH62-00052D	HEAT-SINK DIO		
17	AH62-00096A	HEAT-SINK S		
18	AH62-00097A	HEAT-SINK L		
19	AH62-00098A	HEAT-SINK TR		
20	AH62-00062C	HEAT-SINK TR		
21	AH62-00062D	HEAT-SINK TR		
22	AH61-01140A	BRKT-PCB	(x2)	
23	AH61-01355A	BRKT-TUNER		
24	AH63-00278H	COVER-FUSE		
25	AH61-00855A	HOLDER-IC		
26	AH61-00779A	HOLDER-IC	(x5)	
27	AH64-02648A	CABINET-REAR		
28	AH63-00384A	SHIELD-SPK8		
29	AH63-00385A	SHIELD-SPK4		
30	AH31-00039A	MOTOR FAN		
31	AH63-00517A	COVER-FAN		
32	AH64-02315B	CABINET-TOP		
△ 33	AH39-00258P	POWER CORD		A25B A25E, A25E
△ 33	AH39-00257F	POWER CORD		E,A25 EN,A2 5EV
34	AH63-00632B	SHIELD-FRONT.L		
35	AH63-00632C	SHIELD-FRONT.R		
36	AH68-50275D	STICKER-CD		
37	AH68-01348C	LABEL-RATING		A25B
37	AH68-01348E	LABEL-RATING		A25E E
37	AH68-01348D	LABEL-RATING		A25E, A25E N,A25 EV
39	AH68-00093N	LABEL-NO5		A25E E
39	AH68-00093G	LABEL-NO2		A25B, A25E, A25E N,A25 EV
40	AH68-50482B	CLASS 1 LABEL		
41	AH68-00486A	LABEL-CAUTION(B		A25E V
△ 44	AH26-00261A	TRANS POWER	230V	
45	AH40-00060A	TUNER-PACK ASSY		A25B, A25E, A25E N,A25 EV
45	AH40-00058B	TUNER-PACK ASSY		A25E E
△ 46	3601-000301	FUSE-CARTRIDGE	250V 6.3A(x2)	
47	AH59-01153B	DVD MECHA ASSY		
48	AJ60-10001A	SCREW TAP	(x2)	
49	AH60-00025A	SCREW-TAPTITE	(x18)	
50	6002-000126	SCREW-TAPPING	(x2)	
51	6003-000276	SCREW-TAPTITE	(x29)	
52	6003-000283	SCREW-TAPTITE	(x16)	
53	AH60-00014A	SCREW-TAPTITE	(x6)	
54	6003-001499	SCREW-TAPTITE	(x8)	

Electrical parts list

Main board

Block No. [0][1][0][0]

△ Symbol No.	Part No.	Part Name	Description	Local
PW3	AH39-00525A	LEAD CONNECTOR		
IC4	7912	IC	1203-000110	
IC7	BA4560	IC	1201-000163	
Q1	0504-000118	DIGI TRANSISTOR		
Q4	0501-000294	TRANSISTOR		
Q5	0501-000398	TRANSISTOR		
Q6	0501-000610	TRANSISTOR		
Q7	0501-000314	TRANSISTOR		
Q8	0501-000341	TRANSISTOR		
Q9	0501-000331	TRANSISTOR		
Q10	0501-000398	TRANSISTOR		
Q11	0501-000398	TRANSISTOR		
Q12	0504-001003	DIGI TRANSISTOR		
Q13	0501-000303	TRANSISTOR		
Q14	0501-000398	TRANSISTOR		
Q15	0501-000398	TRANSISTOR		
Q16	0501-000303	TRANSISTOR		
Q17C	0501-002184	TRANSISTOR		
Q17W	0501-002184	TRANSISTOR		
Q19C	0501-000398	TRANSISTOR		
Q19W	0501-000354	TRANSISTOR		
Q20C	0501-000303	TRANSISTOR		
Q20W	0501-002188	TRANSISTOR		
Q21C	0501-000294	TRANSISTOR		
Q21W	0501-002332	TRANSISTOR		
Q22C	0501-000010	TRANSISTOR		
Q22W	0501-000359	TRANSISTOR		
Q23C	0501-000010	TRANSISTOR		
Q25C	0501-000010	TRANSISTOR		
Q26C	0501-000294	TRANSISTOR		
Q28C	0501-000294	TRANSISTOR		
Q29C	0502-001048	TRANSISTOR		
Q30W	0503-001014	TRANSISTOR		
Q31C	0502-001048	TRANSISTOR		
Q31W	0503-001014	TRANSISTOR		
Q32C	0502-001210	TRANSISTOR		
Q32W	0503-001016	TRANSISTOR		
Q33W	0503-001016	TRANSISTOR		
Q34C	0502-001210	TRANSISTOR		
Q35C	0501-000398	TRANSISTOR		
Q35W	0501-000331	TRANSISTOR		
Q36C	0502-001048	TRANSISTOR		
Q36W	0502-001048	TRANSISTOR		
Q50C	0504-000156	DIGI TRANSISTOR		
Q50F	0504-000156	DIGI TRANSISTOR		
Q50R	0504-000156	DIGI TRANSISTOR		
Q17FL	0501-002184	TRANSISTOR		
Q17FR	0501-002184	TRANSISTOR		
Q17RL	0501-002184	TRANSISTOR		
Q17RR	0501-002184	TRANSISTOR		
Q19FL	0501-000398	TRANSISTOR		
Q19FR	0501-000398	TRANSISTOR		
Q19RL	0501-000398	TRANSISTOR		
Q19RR	0501-000398	TRANSISTOR		
Q20FL	0501-000303	TRANSISTOR		
Q20FR	0501-000303	TRANSISTOR		
Q20RL	0501-000303	TRANSISTOR		
Q20RR	0501-000303	TRANSISTOR		
Q21FL	0501-000294	TRANSISTOR		
Q21FR	0501-000294	TRANSISTOR		
Q21RL	0501-000294	TRANSISTOR		
Q21RR	0501-000294	TRANSISTOR		
Q22FL	0501-000010	TRANSISTOR		
Q22FR	0501-000010	TRANSISTOR		
Q22RL	0501-000010	TRANSISTOR		
Q22RR	0501-000010	TRANSISTOR		
Q23FL	0501-000010	TRANSISTOR		
Q23FR	0501-000010	TRANSISTOR		
Q23RL	0501-000010	TRANSISTOR		
Q23RR	0501-000010	TRANSISTOR		

△ Symbol No.	Part No.	Part Name	Description	Local
Q25FL	0501-000010	TRANSISTOR		
Q25FR	0501-000010	TRANSISTOR		
Q25RL	0501-000010	TRANSISTOR		
Q25RR	0501-000010	TRANSISTOR		
Q26FL	0501-000294	TRANSISTOR		
Q26FR	0501-000294	TRANSISTOR		
Q26RL	0501-000294	TRANSISTOR		
Q26RR	0501-000294	TRANSISTOR		
Q28FL	0501-000294	TRANSISTOR		
Q28FR	0501-000294	TRANSISTOR		
Q28RL	0501-000294	TRANSISTOR		
Q28RR	0501-000294	TRANSISTOR		
Q29FL	0502-001048	TRANSISTOR		
Q29FR	0502-001048	TRANSISTOR		
Q29RL	0502-001048	TRANSISTOR		
Q29RR	0502-001048	TRANSISTOR		
Q31FL	0502-001048	TRANSISTOR		
Q31FR	0502-001048	TRANSISTOR		
Q31RL	0502-001048	TRANSISTOR		
Q31RR	0502-001048	TRANSISTOR		
Q32FL	0502-001210	TRANSISTOR		
Q32FR	0502-001210	TRANSISTOR		
Q32RL	0502-001210	TRANSISTOR		
Q32RR	0502-001210	TRANSISTOR		
Q33FR	0501-000398	TRANSISTOR		
Q34FL	0502-001210	TRANSISTOR		
Q34FR	0502-001210	TRANSISTOR		
Q34RL	0502-001210	TRANSISTOR		
Q34RR	0502-001210	TRANSISTOR		
Q35FL	0501-000398	TRANSISTOR		
Q35RL	0501-000398	TRANSISTOR		
Q35RR	0501-000398	TRANSISTOR		
Q36FL	0502-001048	TRANSISTOR		
Q36FR	0502-001048	TRANSISTOR		
Q36RL	0502-001048	TRANSISTOR		
Q36RR	0502-001048	TRANSISTOR		
D12	0401-001090	FR DIODE		
D13	0401-001090	FR DIODE		
D14	0401-001090	FR DIODE		
D15	0401-001090	FR DIODE		
D20	0401-001090	FR DIODE		
D21	0401-001090	FR DIODE		
D22	0402-000127	FR DIODE		
D23	0402-000127	FR DIODE		
D25	0402-000127	FR DIODE		
D28	0401-001090	FR DIODE		
D29	0401-000101	FR DIODE		
D30	0401-001090	FR DIODE		
D31	0401-001090	FR DIODE		
D32	0401-001090	FR DIODE		
D33	0401-001090	FR DIODE		
D34	0401-001090	FR DIODE		
D100	0403-000379	Z DIODE		
D18C	0401-001090	FR DIODE		
D18W	0401-001090	FR DIODE		
D19C	0401-001090	FR DIODE		
D19W	0401-001090	FR DIODE		
D35C	0401-001090	FR DIODE		
D36W	0401-001090	FR DIODE		
D37W	0401-001090	FR DIODE		
D38C	0401-001090	FR DIODE		
D39C	0401-001090	FR DIODE		
D39W	0401-001090	FR DIODE		
D40C	0402-000309	FR DIODE		
D40W	0402-001484	FR DIODE		
D41C	0402-000309	FR DIODE		
D41W	0402-001484	FR DIODE		
D18FL	0401-001090	FR DIODE		
D18FR	0401-001090	FR DIODE		
D18RL	0401-001090	FR DIODE		
D18RR	0401-001090	FR DIODE		
D19FL	0401-001090	FR DIODE		
D19FR	0401-001090	FR DIODE		
D19RL	0401-001090	FR DIODE		
D19RR	0401-001090	FR DIODE		

△ Symbol No.	Part No.	Part Name	Description	Local	△ Symbol No.	Part No.	Part Name	Description	Local
D33FR	0401-001090	FR DIODE			C44FR	2203-000710	CHIP CAPACITOR		
D35FL	0401-001090	FR DIODE			C44RL	2203-000710	CHIP CAPACITOR		
D35FR	0401-001090	FR DIODE			C44RR	2203-000710	CHIP CAPACITOR		
D35RL	0401-001090	FR DIODE			C47FL	2301-000375	M CAPACITOR		
D35RR	0401-001090	FR DIODE			C47FR	2301-000375	M CAPACITOR		
D38FL	0401-001090	FR DIODE			C47RL	2301-000375	M CAPACITOR		
D38RL	0401-001090	FR DIODE			C47RR	2301-000375	M CAPACITOR		
D38RR	0401-001090	FR DIODE			C49FL	2203-000236	CHIP CAPACITOR		
D39FL	0401-001090	FR DIODE			C49FR	2203-000236	CHIP CAPACITOR		
D39FR	0401-001090	FR DIODE			C49RL	2203-000236	CHIP CAPACITOR		
D39RL	0401-001090	FR DIODE			C49RR	2203-000236	CHIP CAPACITOR		
D39RR	0401-001090	FR DIODE							
D40FL	0402-000309	FR DIODE			R10	2007-000282	CHIP RESISTOR		
D40FR	0402-000309	FR DIODE			R12	2007-000586	CHIP RESISTOR		
D40RL	0402-000309	FR DIODE			R13	2007-000282	CHIP RESISTOR		
D40RR	0402-000309	FR DIODE			R14	2007-000572	CHIP RESISTOR		
D41FL	0402-000309	FR DIODE			R16	2007-000518	CHIP RESISTOR		
D41FR	0402-000309	FR DIODE			R19	2007-000774	CHIP RESISTOR		
D41RL	0402-000309	FR DIODE			R20	2007-000774	CHIP RESISTOR		
D41RR	0402-000309	FR DIODE			R21	2007-000586	CHIP RESISTOR		
					R22	2007-000586	CHIP RESISTOR		
PC2	2401-001572	E CAPACITOR			R27	2007-000468	CHIP RESISTOR		
PC3	2401-001879	E CAPACITOR			R28	2007-000300	CHIP RESISTOR		
PC4	2401-001879	E CAPACITOR			R29	2007-000468	CHIP RESISTOR		
PC5	2401-001052	E CAPACITOR			R30	2007-000572	CHIP RESISTOR		
PC6	2401-000475	E CAPACITOR			R31	2007-000941	CHIP RESISTOR		
PC7	2401-001893	E CAPACITOR			R32	2007-000493	CHIP RESISTOR		
PC8	2401-001893	E CAPACITOR			R33	2007-000586	CHIP RESISTOR		
PC9	2401-001893	E CAPACITOR			R34	2007-000401	CHIP RESISTOR		
PC11	2401-001893	E CAPACITOR			R35	2007-000493	CHIP RESISTOR		
PC13	2401-000475	E CAPACITOR			R36	2001-000522	C RESISTOR		
PC19	2201-000161	C CAPACITOR			R37	2007-000401	CHIP RESISTOR		
PC20	2201-000161	C CAPACITOR			R38	2007-001039	CHIP RESISTOR		
PC50	2401-003681	E CAPACITOR			R39	2003-000578	METAL RESISTOR		
					R41	2001-000052	C RESISTOR		
C27	2401-000325	E CAPACITOR			R43	2007-000774	CHIP RESISTOR		
C28	2401-000475	E CAPACITOR			R44	2003-000616	METAL RESISTOR		
C29	2401-000475	E CAPACITOR			R45	2003-000429	R-METAL OXIDE(S		
C30	2401-001364	E CAPACITOR			R47	2007-000872	CHIP RESISTOR		
C31	2401-001364	E CAPACITOR			R48	2007-000941	CHIP RESISTOR		
C34	2401-000385	E CAPACITOR			R49	2007-000941	CHIP RESISTOR		
C35	2401-001361	E CAPACITOR			R50	2007-000300	CHIP RESISTOR		
C36	2401-001912	E CAPACITOR			R51	2007-000300	CHIP RESISTOR		
C37	2401-001975	E CAPACITOR			R52	2007-000735	CHIP RESISTOR		
C38	2401-001912	E CAPACITOR			R53	2007-000001	CHIP RESISTOR		
C39	2401-001912	E CAPACITOR			R54	2007-000300	CHIP RESISTOR		
C40	2401-000438	E CAPACITOR			R55	2007-000586	CHIP RESISTOR		
C41	2203-001036	CHIP CAPACITOR			R56	2007-000300	CHIP RESISTOR		
C43	2401-000907	E CAPACITOR			R57	2007-000586	CHIP RESISTOR		
C44	2203-000710	CHIP CAPACITOR			R58	2007-000300	CHIP RESISTOR		
C47	2301-000375	M CAPACITOR			R59	2007-000300	CHIP RESISTOR		
C49	2203-000236	CHIP CAPACITOR			R60	2007-001118	CHIP RESISTOR		
C53	2401-000475	E CAPACITOR			R61	2007-000774	CHIP RESISTOR		
C55	2401-001975	E CAPACITOR			R62	2007-000586	CHIP RESISTOR		
C40W	2401-000438	E CAPACITOR			R63	2007-000300	CHIP RESISTOR		
C41W	2203-001036	CHIP CAPACITOR			R64	2007-000355	CHIP RESISTOR		
C43W	2401-000907	E CAPACITOR			R65	2007-000300	CHIP RESISTOR		
C44W	2203-000295	CHIP CAPACITOR			R66	2007-000872	CHIP RESISTOR		
C47W	2301-000375	M CAPACITOR			R67	2007-000586	CHIP RESISTOR		
C49W	2203-000295	CHIP CAPACITOR			R68	2007-000872	CHIP RESISTOR		
C50F	2401-001975	E CAPACITOR			R69	2007-000774	CHIP RESISTOR		
C50R	2401-001975	E CAPACITOR			R70	2007-000774	CHIP RESISTOR		
C202L	2203-000787	CHIP CAPACITOR			R71	2007-000300	CHIP RESISTOR		
C202R	2203-000787	CHIP CAPACITOR			R72	2001-000977	C RESISTOR		
C39-1	2401-001975	E CAPACITOR			R73	2007-000710	CHIP RESISTOR		
C40FL	2401-000438	E CAPACITOR			R74	2007-000300	CHIP RESISTOR		
C40FR	2401-000438	E CAPACITOR			R75	2007-000941	CHIP RESISTOR		
C40RL	2401-000438	E CAPACITOR			R76	2007-000468	CHIP RESISTOR		
C40RR	2401-000438	E CAPACITOR			R78	2007-001039	CHIP RESISTOR		
C41FL	2203-001036	CHIP CAPACITOR			R79	2007-000267	CHIP RESISTOR		
C41FR	2203-001036	CHIP CAPACITOR			R80	2007-001039	CHIP RESISTOR		
C41RL	2203-001036	CHIP CAPACITOR			R81	2007-000872	CHIP RESISTOR		
C41RR	2203-001036	CHIP CAPACITOR			R82	2007-000686	CHIP RESISTOR		
C43FL	2401-000907	E CAPACITOR			R83	2007-000686	CHIP RESISTOR		
C43FR	2401-000907	E CAPACITOR			R84	2007-000300	CHIP RESISTOR		
C43RL	2401-000907	E CAPACITOR			R86	2007-000931	CHIP RESISTOR		
C43RR	2401-000907	E CAPACITOR			R87	2007-000981	CHIP RESISTOR		
C44FL	2203-000710	CHIP CAPACITOR			R88	2007-000493	CHIP RESISTOR		

△ Symbol No.	Part No.	Part Name	Description	Local	△ Symbol No.	Part No.	Part Name	Description	Local
R89	2007-000931	CHIP RESISTOR			R79L	2007-000267	CHIP RESISTOR		
R91	2007-000766	CHIP RESISTOR			R79W	2007-000267	CHIP RESISTOR		
R93	2007-000766	CHIP RESISTOR			R80C	2007-001039	CHIP RESISTOR		
R94	2007-000766	CHIP RESISTOR			R80F	2007-001039	CHIP RESISTOR		
R96	2007-000766	CHIP RESISTOR			R80L	2007-001039	CHIP RESISTOR		
R97	2007-008317	CHIP RESISTOR			R80W	2007-001039	CHIP RESISTOR		
R98	2007-008317	CHIP RESISTOR			R81C	2007-000872	CHIP RESISTOR		
R99	2001-000019	C RESISTOR			R81F	2007-000872	CHIP RESISTOR		
R100	2003-000473	METAL RESISTOR			R81L	2007-000872	CHIP RESISTOR		
R101	2001-001178	C RESISTOR			R81W	2007-000300	CHIP RESISTOR		
R135	2007-000941	CHIP RESISTOR			R82C	2007-000686	CHIP RESISTOR		
R142	2007-000586	CHIP RESISTOR			R82F	2007-000686	CHIP RESISTOR		
R143	2007-000300	CHIP RESISTOR			R82L	2007-000686	CHIP RESISTOR		
R14C	2007-000572	CHIP RESISTOR			R82W	2007-000686	CHIP RESISTOR		
R14F	2001-000515	C RESISTOR			R83C	2007-000686	CHIP RESISTOR		
R14L	2001-000515	C RESISTOR			R83F	2007-000686	CHIP RESISTOR		
R14W	2001-000515	C RESISTOR			R83L	2007-000686	CHIP RESISTOR		
R200	2007-000686	CHIP RESISTOR			R83W	2007-000686	CHIP RESISTOR		
R201	2007-000774	CHIP RESISTOR			R84C	2007-000300	CHIP RESISTOR		
R27C	2007-000468	CHIP RESISTOR			R84F	2007-000300	CHIP RESISTOR		
R27F	2007-000468	CHIP RESISTOR			R84L	2007-000300	CHIP RESISTOR		
R27L	2007-000300	CHIP RESISTOR			R84W	2007-000941	CHIP RESISTOR		
R27L	2007-000468	CHIP RESISTOR			R85W	2001-000515	C RESISTOR		
R27W	2007-000493	CHIP RESISTOR			R86C	2007-000931	CHIP RESISTOR		
R28C	2007-000300	CHIP RESISTOR			R86F	2007-000931	CHIP RESISTOR		
R28F	2007-000300	CHIP RESISTOR			R86L	2007-000931	CHIP RESISTOR		
R28W	2007-000300	CHIP RESISTOR			R86W	2001-000780	C RESISTOR		
R29C	2007-000468	CHIP RESISTOR			R87C	2007-000981	CHIP RESISTOR		
R29F	2007-000468	CHIP RESISTOR			R87F	2007-000981	CHIP RESISTOR		
R29L	2007-000468	CHIP RESISTOR			R87L	2007-000981	CHIP RESISTOR		
R29W	2007-000468	CHIP RESISTOR			R87W	2007-000981	CHIP RESISTOR		
R30C	2001-000515	C RESISTOR			R88C	2007-000493	CHIP RESISTOR		
R30F	2001-000515	C RESISTOR			R88F	2007-000493	CHIP RESISTOR		
R31C	2007-000941	CHIP RESISTOR			R88L	2007-000493	CHIP RESISTOR		
R31F	2007-000941	CHIP RESISTOR			R88W	2007-000493	CHIP RESISTOR		
R32C	2007-000493	CHIP RESISTOR			R89C	2007-000931	CHIP RESISTOR		
R32F	2007-000493	CHIP RESISTOR			R89F	2007-000931	CHIP RESISTOR		
R32L	2007-000493	CHIP RESISTOR			R89L	2007-000931	CHIP RESISTOR		
R32W	2007-000241	CHIP RESISTOR			R89W	2001-000780	C RESISTOR		
R33C	2007-000586	CHIP RESISTOR			R90W	2001-000515	C RESISTOR		
R33F	2007-000586	CHIP RESISTOR			R91C	2007-000766	CHIP RESISTOR		
R33L	2007-000586	CHIP RESISTOR			R91F	2007-000766	CHIP RESISTOR		
R33W	2007-000653	CHIP RESISTOR			R91L	2007-000766	CHIP RESISTOR		
R34C	2007-000401	CHIP RESISTOR			R93C	2007-000766	CHIP RESISTOR		
R34F	2007-000401	CHIP RESISTOR			R93F	2007-000766	CHIP RESISTOR		
R34L	2007-000401	CHIP RESISTOR			R93L	2007-000766	CHIP RESISTOR		
R34W	2007-000401	CHIP RESISTOR			R94C	2007-000766	CHIP RESISTOR		
R35C	2007-000493	CHIP RESISTOR			R94F	2007-000766	CHIP RESISTOR		
R35F	2007-000493	CHIP RESISTOR			R94L	2007-000766	CHIP RESISTOR		
R35L	2007-000493	CHIP RESISTOR			R96C	2007-000766	CHIP RESISTOR		
R35W	2007-000241	CHIP RESISTOR			R96F	2007-000766	CHIP RESISTOR		
R36C	2001-000522	C RESISTOR			R96L	2007-000766	CHIP RESISTOR		
R36F	2001-000522	C RESISTOR			R97C	2007-008317	CHIP RESISTOR		
R36L	2007-000586	CHIP RESISTOR			R97F	2007-008317	CHIP RESISTOR		
R36W	2007-000653	CHIP RESISTOR			R97L	2007-008317	CHIP RESISTOR		
R37C	2007-000401	CHIP RESISTOR			R97W	2009-000018	METAL RESISTOR		
R37F	2007-000401	CHIP RESISTOR			R98C	2007-008317	CHIP RESISTOR		
R37L	2007-000401	CHIP RESISTOR			R98F	2007-008317	CHIP RESISTOR		
R37W	2007-000401	CHIP RESISTOR			R98L	2007-008317	CHIP RESISTOR		
R38C	2007-001039	CHIP RESISTOR			R98W	2009-000018	METAL RESISTOR		
R38F	2007-001039	CHIP RESISTOR			R99C	2001-000019	C RESISTOR		
R38L	2007-001039	CHIP RESISTOR			R99F	2001-000019	C RESISTOR		
R38W	2007-001039	CHIP RESISTOR			R99L	2001-000019	C RESISTOR		
R39F	2007-000941	CHIP RESISTOR			R99W	2003-000471	METAL RESISTOR		
R75C	2007-000941	CHIP RESISTOR			R14FL	2001-000515	C RESISTOR		
R75F	2007-000941	CHIP RESISTOR			R200L	2007-000686	CHIP RESISTOR		
R75L	2007-000941	CHIP RESISTOR			R201L	2007-000774	CHIP RESISTOR		
R75W	2007-000941	CHIP RESISTOR			R27FL	2007-000468	CHIP RESISTOR		
R76C	2007-000468	CHIP RESISTOR			R28FL	2007-000300	CHIP RESISTOR		
R76F	2007-000468	CHIP RESISTOR			R29FL	2007-000468	CHIP RESISTOR		
R76L	2007-000468	CHIP RESISTOR			R32FL	2007-000493	CHIP RESISTOR		
R76W	2007-000468	CHIP RESISTOR			R33FL	2007-000586	CHIP RESISTOR		
R78C	2007-001039	CHIP RESISTOR			R34FL	2007-000401	CHIP RESISTOR		
R78F	2007-001039	CHIP RESISTOR			R35FL	2007-000493	CHIP RESISTOR		
R78L	2007-001039	CHIP RESISTOR			R36FL	2007-000586	CHIP RESISTOR		
R78W	2007-001039	CHIP RESISTOR			R37FL	2007-000401	CHIP RESISTOR		
R79C	2007-000267	CHIP RESISTOR			R38FL	2007-001039	CHIP RESISTOR		
R79F	2007-000267	CHIP RESISTOR			R39FL	2007-000941	CHIP RESISTOR		

△ Symbol No.	Part No.	Part Name	Description	Local	△ Symbol No.	Part No.	Part Name	Description	Local
R75FL	2007-000941	CHIP RESISTOR			AL3FL	AH27-90001A	COIL		
R76FL	2001-000429	C RESISTOR			AL3FR	AH27-90001A	COIL		
R78FL	2007-001039	CHIP RESISTOR			AL3RL	AH27-90001A	COIL		
R79FL	2007-000267	CHIP RESISTOR			AL3RR	AH27-90001A	COIL		
R80FL	2007-001039	CHIP RESISTOR			AQ2	0501-000010	TRANSISTOR		
R81FL	2007-000872	CHIP RESISTOR			AQ3	0501-000010	TRANSISTOR		
R82FL	2007-000686	CHIP RESISTOR			AR2	2001-000890	C RESISTOR		
R83FL	2007-000686	CHIP RESISTOR			AR3	2001-000449	C RESISTOR		
R84FL	2007-000300	CHIP RESISTOR			AR4	2001-000052	C RESISTOR		
R86FL	2007-000931	CHIP RESISTOR			AR5	2007-000300	CHIP RESISTOR		
R87FL	2007-000981	CHIP RESISTOR			AR6	2007-000941	CHIP RESISTOR		
R88FL	2007-000493	CHIP RESISTOR			AR7	2001-001045	C RESISTOR		
R89FL	2007-000931	CHIP RESISTOR			AR8	2007-001195	CHIP RESISTOR		
R91FL	2007-000766	CHIP RESISTOR			AR9	2001-000591	C RESISTOR		
R93FL	2007-000766	CHIP RESISTOR			AR11	2007-000941	CHIP RESISTOR		
R94FL	2007-000766	CHIP RESISTOR			AR12	2007-000686	CHIP RESISTOR		
R96FL	2007-000766	CHIP RESISTOR			AR15	2001-000702	C RESISTOR		
R97FL	2007-008317	CHIP RESISTOR			AUX1	3722-002042	PIN JACK		
R98FL	2007-008317	CHIP RESISTOR			AVS1	3408-000177	SWITCH		
R99FL	2001-000019	C RESISTOR			AZD1	0403-000354	Z DIODE		
					AZD2	0403-000352	Z DIODE		
					AZD3	0403-000379	Z DIODE		
ABD1	0402-001408	FR DIODE			CE2C	2203-001537	CHIP CAPACITOR		
ABD2	0402-001258	FR DIODE			CE2W	2203-001537	CHIP CAPACITOR		
ABD4	0402-001258	FR DIODE			CE4W	2203-001537	CHIP CAPACITOR		
AC1	2201-002128	C CAPACITOR			CE5C	2203-000892	CHIP CAPACITOR		
AC2	2201-002128	C CAPACITOR			CE5W	2203-000892	CHIP CAPACITOR		
AC3	2201-002128	C CAPACITOR			CE2FL	2203-001537	CHIP CAPACITOR		
AC4	2201-002128	C CAPACITOR			CE2FR	2203-001537	CHIP CAPACITOR		
AC5	2201-002128	C CAPACITOR			CE2RL	2203-001537	CHIP CAPACITOR		
AC6	2201-002128	C CAPACITOR			CE2RR	2203-001537	CHIP CAPACITOR		
AC7	2401-001538	E CAPACITOR			CE4FL	2203-001537	CHIP CAPACITOR		
AC8	2401-000475	E CAPACITOR			CE4FR	2203-001537	CHIP CAPACITOR		
AC9	2401-001413	E CAPACITOR			CE4RL	2203-001537	CHIP CAPACITOR		
AC10	2401-001912	E CAPACITOR			CE4RR	2203-001537	CHIP CAPACITOR		
AC11	2401-002183	E CAPACITOR			CE5FL	2203-000892	CHIP CAPACITOR		
AC12	2401-001954	E CAPACITOR			CE5FR	2203-000892	CHIP CAPACITOR		
AC13	2401-001912	E CAPACITOR			CE5RL	2203-000892	CHIP CAPACITOR		
AC14	2201-000161	C CAPACITOR			CE6RL	2203-000892	CHIP CAPACITOR		
AC15	2201-000161	C CAPACITOR			CE6RR	2203-000892	CHIP CAPACITOR		
AC16	2201-000161	C CAPACITOR			CW5	3711-004110	CONNECTOR		
AC18	2401-001879	E CAPACITOR			CW6	3711-005184	CONNECTOR		
AC19	2401-003116	E CAPACITOR			CW7	3711-004110	CONNECTOR		
AC20	2401-003116	E CAPACITOR			FIC6	BA4560	IC	1201-000163	
AC21	2401-001879	E CAPACITOR			J115	3811-000389	WIRE-NO SHEATH		
AC22	2401-001959	E CAPACITOR			PBD1	0402-001258	FR DIODE		
AC23	2401-001959	E CAPACITOR			PBD2	0402-001077	FR DIODE		
ACD1	2003-000603	METAL RESISTOR			PD1	0402-000127	FR DIODE		
ACD1	0402-000127	FR DIODE			PD2	0401-000101	FR DIODE		
ACD2	2003-000603	METAL RESISTOR			PD3	0401-000101	FR DIODE		
ACD2	0402-000127	FR DIODE			PIC3	7812	IC	1203-000242	
ACW1	3711-000190	CONNECTOR			PIC4	7812	IC	1203-000242	
ACW2	3711-004848	CONNECTOR			PL1	AC27-12001N	CHOKE COIL		
ACW3	3711-001098	CONNECTOR			PQ1	NJM7805	IC	1203-002560	
ACW4	3711-000963	CONNECTOR			PQ2	278R05	IC	1203-001589	
ACW5	3711-000963	CONNECTOR			PQ5	0503-001014	TRANSISTOR		
AD1	0402-000127	FR DIODE			PQ6	KIA7808API	IC	1203-003096	
AD2	0402-000127	FR DIODE			PQ7	0502-000303	TRANSISTOR		
AD3	0402-000127	FR DIODE			PR1	2003-000603	METAL RESISTOR		
AD4	0402-000127	FR DIODE			PR6	2007-000586	CHIP RESISTOR		
AD6	0402-000127	FR DIODE			PR7	2007-000653	CHIP RESISTOR		
AD8	0401-000101	FR DIODE			PR8	2007-000409	CHIP RESISTOR		
AD11	0402-000127	FR DIODE			PR9	2007-000586	CHIP RESISTOR		
AFS1	3601-000216	FUSE			PR10	2007-000781	CHIP RESISTOR		
AFS1	3602-000147	FUSE-CLIP			PR010	2003-000468	METAL RESISTOR		
AFS2	3601-000216	FUSE			PR012	2003-000710	METAL RESISTOR		
AFS2	3601-001248	FUSE			PSD1	0404-000156	FR DIODE		
AFS2	3602-000147	FUSE-CLIP			PT1	AH26-00143C	TRANSISTOR		
AFS3	3601-000319	FUSE			PZ1	0403-000570	Z DIODE		
AFS3	3601-000184	FUSE			PZD1	0403-000564	Z DIODE		
AFS3	3602-000147	FUSE-CLIP			PZD2	0403-000564	Z DIODE		
AFS4	3601-000319	FUSE			RE1	3501-001008	RELAY		
AFS4	3602-000147	FUSE-CLIP			RE2	3501-001214	RELAY		
AIC1	NJM7805	IC	1203-002560		RE3	3501-001214	RELAY		
AIC2	BA4560	IC	1201-000163		RE4	3501-001008	RELAY		
AL1	AH27-10001F	CHOKE COIL			RE5	3501-001197	RELAY		
AL2	AH27-10001F	CHOKE COIL			RE6	3501-001197	RELAY		
AL3C	AH27-90001A	COIL			RE7	3501-001197	RELAY		
AL3W	AH27-90001A	COIL							

△ Symbol No.	Part No.	Part Name	Description	Local	△ Symbol No.	Part No.	Part Name	Description	Local
RIC5	BA4560	IC	1201-000163		UD10	0401-001090	FR DIODE		
SPK1	3716-001179	TERMINAL			UD11	0401-001090	FR DIODE		
SPK2	3716-001205	TERMINAL			UD12	0401-000101	FR DIODE		
UD100	0401-001090	FR DIODE			UD77	0401-001090	FR DIODE		
UD101	0401-001090	FR DIODE			UIC1	AH11-00106A	MASK ROM		
UD102	0401-001090	FR DIODE			UQ3	0504-000156	DIGI TRANSISTOR		
UD103	0401-001090	FR DIODE			UQ4	0501-000398	TRANSISTOR		
UR27	2007-000449	CHIP RESISTOR			UR1	2001-000023	C RESISTOR		
ZD5C	0403-001079	Z DIODE			UR2	2001-000023	C RESISTOR		
ZD5W	0403-001079	Z DIODE			UR10	2007-000300	CHIP RESISTOR		
ZD6C	0403-001079	Z DIODE			UR11	2007-000822	CHIP RESISTOR		
ZD6W	0403-001079	Z DIODE			UR12	2007-000822	CHIP RESISTOR		
ZD7C	0403-001376	Z DIODE			UR13	2007-000872	CHIP RESISTOR		
ZD7W	0403-001062	Z DIODE			UR14	2007-000682	CHIP RESISTOR		
ZD8C	0403-001376	Z DIODE			UR15	2007-000493	CHIP RESISTOR		
ZD8W	0403-001062	Z DIODE			UR16	2007-000267	CHIP RESISTOR		
ZD5FL	0403-001079	Z DIODE			UR17	2007-000241	CHIP RESISTOR		
ZD5FR	0403-001079	Z DIODE			UR18	2007-000468	CHIP RESISTOR		
ZD5RL	0403-001079	Z DIODE			UR20	2007-000493	CHIP RESISTOR		
ZD5RR	0403-001079	Z DIODE			UR21	2007-000872	CHIP RESISTOR		
ZD6FL	0403-001079	Z DIODE			UR22	2007-000565	CHIP RESISTOR		
ZD6FR	0403-001079	Z DIODE			UR23	2007-000572	CHIP RESISTOR		
ZD6RL	0403-001079	Z DIODE			UR24	2007-000300	CHIP RESISTOR		
ZD6RR	0403-001079	Z DIODE			UR25	2007-000300	CHIP RESISTOR		
ZD7FL	0403-001376	Z DIODE			UR29	2007-000300	CHIP RESISTOR		
ZD7FR	0403-001376	Z DIODE			UR31	2007-000941	CHIP RESISTOR		
ZD7RL	0403-001376	Z DIODE			UR32	2007-000300	CHIP RESISTOR		
ZD7RR	0403-001376	Z DIODE			UR34	2007-000468	CHIP RESISTOR		
ZD8FL	0403-001376	Z DIODE			UR48	2007-000941	CHIP RESISTOR		
ZD8FR	0403-001376	Z DIODE			UR49	2007-000941	CHIP RESISTOR		
ZD8RL	0403-001376	Z DIODE			UR50	2007-000941	CHIP RESISTOR		
ZD8RR	0403-001376	Z DIODE			UR51	2007-000941	CHIP RESISTOR		

Front board

Block No. [0][2][0][0]

△ Symbol No.	Part No.	Part Name	Description	Local	△ Symbol No.	Part No.	Part Name	Description	Local
E-VR	3406-001047	ROTARY SWITCH			UR52	2007-000941	CHIP RESISTOR		
LED1	0601-001238	LED			UR53	2007-000941	CHIP RESISTOR		
REYE	AC59-60060A	MODULE REMOCON			UR54	2007-000941	CHIP RESISTOR		
SW2	3404-000165	TACT SWITCH			UR55	2007-000941	CHIP RESISTOR		
SW3	3404-000165	TACT SWITCH			UR56	2007-000941	CHIP RESISTOR		
SW4	3404-000165	TACT SWITCH			UR57	2007-000941	CHIP RESISTOR		
SW5	3404-000165	TACT SWITCH			UR58	2007-000941	CHIP RESISTOR		
SW6	3404-000165	TACT SWITCH			UR59	2007-000941	CHIP RESISTOR		
SW7	3404-000165	TACT SWITCH			UR60	2007-000941	CHIP RESISTOR		
SW9	3404-000165	TACT SWITCH			UR61	2007-000941	CHIP RESISTOR		
UC1	2203-000203	CHIP CAPACITOR			UR62	2007-000941	CHIP RESISTOR		
UC2	2203-000203	CHIP CAPACITOR			UR63	2007-000941	CHIP RESISTOR		
UC3	2401-000485	E CAPACITOR			UR64	2007-000941	CHIP RESISTOR		
UC8	2401-000752	E CAPACITOR			UR65	2007-000941	CHIP RESISTOR		
UC9	2409-000123	C-EDL			UR66	2007-000300	CHIP RESISTOR		
UC10	2203-000979	CHIP CAPACITOR			UR70	2007-000941	CHIP RESISTOR		
UC12	2203-000979	CHIP CAPACITOR			UR71	2007-000941	CHIP RESISTOR		
UC13	2401-000485	E CAPACITOR			UR72	2007-000941	CHIP RESISTOR		
UC14	2401-000243	E CAPACITOR			UR73	2007-000941	CHIP RESISTOR		
UC15	2203-000979	CHIP CAPACITOR			UR74	2007-000941	CHIP RESISTOR		
UC16	2401-000243	E CAPACITOR			UR75	2007-000941	CHIP RESISTOR		
UC20	2401-003336	E CAPACITOR			UR76	2007-000941	CHIP RESISTOR		
UC21	2203-000979	CHIP CAPACITOR			UR77	2007-000941	CHIP RESISTOR		
UC77	2203-000203	CHIP CAPACITOR			UR78	2007-000941	CHIP RESISTOR		
UCW3	3708-000448	CONNECTOR			UR79	2007-000941	CHIP RESISTOR		
UCW7	3708-001043	CONNECTOR			UR80	2007-000941	CHIP RESISTOR		
UCW12	AH39-00477A	LEAD CONNECTOR			UR81	2007-000941	CHIP RESISTOR		
UCW13	3711-000907	CONNECTOR			UR82	2007-000941	CHIP RESISTOR		
UD1	0401-001090	FR DIODE			UR83	2007-000941	CHIP RESISTOR		
UD2	0401-001090	FR DIODE			UR84	2007-000941	CHIP RESISTOR		
UD4	0401-001090	FR DIODE			UR86	2007-000300	CHIP RESISTOR		
UD5	0401-001090	FR DIODE			UR90	2007-000300	CHIP RESISTOR		
UD6	0401-001090	FR DIODE			UR100	2007-000300	CHIP RESISTOR		
UD7	0402-000309	FR DIODE			UR101	2007-000300	CHIP RESISTOR		
UD8	0401-000101	FR DIODE			UR102	2007-000300	CHIP RESISTOR		
UD8	0401-001090	FR DIODE			UR103	2007-000468	CHIP RESISTOR		

Function board

Block No. [0][3][0][0]

△ Symbol No.	Part No.	Part Name	Description	Local
C1	2401-000407	E CAPACITOR		
C2	2401-000407	E CAPACITOR		
C3	2203-000592	CHIP CAPACITOR		
C4	2203-000592	CHIP CAPACITOR		
CC7	2203-000531	CHIP CAPACITOR		
CC8	2401-000213	E CAPACITOR		
CC11	2203-000531	CHIP CAPACITOR		
CC12	2203-000783	CHIP CAPACITOR		
CC13	2401-000213	E CAPACITOR		
CC19	2203-000236	CHIP CAPACITOR		
CC23	2401-000213	E CAPACITOR		
CIC2	BA4560	IC	1201-000163	
CJ1	2007-000070	CHIP RESISTOR		
CQ1	0501-000341	TRANSISTOR		
CR6	2007-000078	CHIP RESISTOR		
CR10	2007-000078	CHIP RESISTOR		
CR12	2007-000124	CHIP RESISTOR		
CR13	2007-000084	CHIP RESISTOR		
CR21	2007-000094	CHIP RESISTOR		
CR25	2007-000092	CHIP RESISTOR		
FC19	2401-000407	E CAPACITOR		
FC20	2401-001502	E CAPACITOR		
FC30	2401-001502	E CAPACITOR		
FC31	2401-001502	E CAPACITOR		
FC32	2401-001502	E CAPACITOR		
FC35	2203-000888	CHIP CAPACITOR		
FC36	2203-001103	CHIP CAPACITOR		
FC37	2401-000588	E CAPACITOR		
FC38	2401-000588	E CAPACITOR		
FC39	2203-001103	CHIP CAPACITOR		
FC40	2203-000888	CHIP CAPACITOR		
FC41	2401-002186	E CAPACITOR		
FC42	2401-002186	E CAPACITOR		
FC51	2401-000407	E CAPACITOR		
FC52	2401-000407	E CAPACITOR		
FC53	2401-000407	E CAPACITOR		
FC54	2401-000407	E CAPACITOR		
FC55	2401-000407	E CAPACITOR		
FC56	2401-000407	E CAPACITOR		
FC57	2401-001502	E CAPACITOR		
FC58	2401-003336	E CAPACITOR		
FC60	2401-001502	E CAPACITOR		
FC9L	2401-001238	E CAPACITOR		
FC9R	2401-001238	E CAPACITOR		
FC10L	2203-000236	CHIP CAPACITOR		
FC10R	2203-000236	CHIP CAPACITOR		
FC11L	2203-000531	CHIP CAPACITOR		
FC11R	2203-000531	CHIP CAPACITOR		
FC12L	2401-000650	E CAPACITOR		
FC12R	2401-000650	E CAPACITOR		
FC14L	2401-000650	E CAPACITOR		
FC14R	2401-000650	E CAPACITOR		
FC15L	2401-000650	E CAPACITOR		
FC15R	2401-000650	E CAPACITOR		
FC16L	2401-000213	E CAPACITOR		
FC16R	2401-000213	E CAPACITOR		
FC17L	2203-001034	CHIP CAPACITOR		
FC17R	2203-001034	CHIP CAPACITOR		
FC18L	2203-000648	CHIP CAPACITOR		
FC18R	2203-000648	CHIP CAPACITOR		
FC19L	2203-001064	CHIP CAPACITOR		
FC19R	2203-001064	CHIP CAPACITOR		
FC23L	2401-000213	E CAPACITOR		
FC23R	2401-000213	E CAPACITOR		
FC24L	2203-000531	CHIP CAPACITOR		
FC24R	2203-000531	CHIP CAPACITOR		
FC25L	2203-000783	CHIP CAPACITOR		
FC25R	2203-000783	CHIP CAPACITOR		
FC26L	2401-000213	E CAPACITOR		
FC26R	2401-000213	E CAPACITOR		
FC43L	2401-000588	E CAPACITOR		
FC43R	2401-000588	E CAPACITOR		
FC44L	2401-000588	E CAPACITOR		

△ Symbol No.	Part No.	Part Name	Description	Local
FC44R	2401-000588	E CAPACITOR		
FD5	0401-001090	FR DIODE		
FIC2	BA4560	IC	1201-000163	
FIC3	TDA7440D	IC	1204-001465	
FIC4	BA4560	IC	1201-000163	
FIC5	M62446AFP	IC	1201-000163	
FIC6	BA4560	IC	1201-000163	
FIC9	BA4560	IC	1201-000163	
FJ1	2007-000070	CHIP RESISTOR		
FJ2	2007-000070	CHIP RESISTOR		
FQ3	0501-000341	TRANSISTOR		
FQ4	0501-000341	TRANSISTOR		
FR7	2007-000094	CHIP RESISTOR		
FR8	2007-000094	CHIP RESISTOR		
FR9	2007-000124	CHIP RESISTOR		
FR10	2007-000124	CHIP RESISTOR		
FR13	2007-000074	CHIP RESISTOR		
FR14	2007-000074	CHIP RESISTOR		
FR15	2007-000090	CHIP RESISTOR		
FR16	2007-000077	CHIP RESISTOR		
FR17	2007-000074	CHIP RESISTOR		
FR18	2007-000074	CHIP RESISTOR		
FR29	2007-000074	CHIP RESISTOR		
FR30	2007-007347	CHIP RESISTOR		
FR31	2007-007347	CHIP RESISTOR		
FR32	2007-000078	CHIP RESISTOR		
FR33	2007-000078	CHIP RESISTOR		
FR35	2007-000078	CHIP RESISTOR		
FR36	2007-000078	CHIP RESISTOR		
FR37	2007-000078	CHIP RESISTOR		
FR38	2007-000078	CHIP RESISTOR		
FR39	2007-000078	CHIP RESISTOR		
FR40	2007-000078	CHIP RESISTOR		
FR41	2007-000078	CHIP RESISTOR		
FR42	2007-000090	CHIP RESISTOR		
FR43	2007-000090	CHIP RESISTOR		
FR44	2007-000090	CHIP RESISTOR		
FR56	2007-000077	CHIP RESISTOR		
FR57	2007-000090	CHIP RESISTOR		
FR58	2007-000090	CHIP RESISTOR		
FR59	2007-000090	CHIP RESISTOR		
FR60	2007-000078	CHIP RESISTOR		
FR10L	2007-000084	CHIP RESISTOR		
FR10R	2007-000084	CHIP RESISTOR		
FR11L	2007-000081	CHIP RESISTOR		
FR11R	2007-000081	CHIP RESISTOR		
FR12L	2007-000078	CHIP RESISTOR		
FR12R	2007-000078	CHIP RESISTOR		
FR17L	2007-000078	CHIP RESISTOR		
FR17R	2007-000078	CHIP RESISTOR		
FR18L	2007-000092	CHIP RESISTOR		
FR18R	2007-000092	CHIP RESISTOR		
FR19L	2007-000124	CHIP RESISTOR		
FR19R	2007-000124	CHIP RESISTOR		
FR20L	2007-000084	CHIP RESISTOR		
FR20R	2007-000084	CHIP RESISTOR		
FR23L	2007-000086	CHIP RESISTOR		
FR23R	2007-000086	CHIP RESISTOR		
FR42L	2007-000086	CHIP RESISTOR		
FR42R	2007-000086	CHIP RESISTOR		
FR43L	2007-000077	CHIP RESISTOR		
FR43R	2007-000077	CHIP RESISTOR		
FR44L	2007-000097	CHIP RESISTOR		
FR44R	2007-000097	CHIP RESISTOR		
FR47L	2007-000097	CHIP RESISTOR		
FR47R	2007-000097	CHIP RESISTOR		
FR57L	2007-000090	CHIP RESISTOR		
FR57R	2007-000090	CHIP RESISTOR		
FR58L	2007-000090	CHIP RESISTOR		
FR58R	2007-000090	CHIP RESISTOR		
FR59L	2007-000092	CHIP RESISTOR		
FR59R	2007-000092	CHIP RESISTOR		
FR60L	2007-000094	CHIP RESISTOR		
FR60R	2007-000094	CHIP RESISTOR		
FR61L	2007-000090	CHIP RESISTOR		
FR61R	2007-000090	CHIP RESISTOR		
FR62L	2007-000090	CHIP RESISTOR		
FR62R	2007-000090	CHIP RESISTOR		

△ Symbol No.	Part No.	Part Name	Description	Local
FR63L	2007-000134	CHIP RESISTOR		
FR63R	2007-000134	CHIP RESISTOR		
FR64L	2007-000092	CHIP RESISTOR		
FR64R	2007-000092	CHIP RESISTOR		
FR65L	2007-000082	CHIP RESISTOR		
FR65R	2007-000082	CHIP RESISTOR		
FZD1	0403-001409	Z DIODE		
FZD5	0403-000621	Z DIODE		
FZD6	0403-000621	Z DIODE		
RC8L	2401-000213	E CAPACITOR		
RC8R	2401-000213	E CAPACITOR		
RC9L	2203-000236	CHIP CAPACITOR		
RC9R	2203-000236	CHIP CAPACITOR		
RC12L	2203-000531	CHIP CAPACITOR		
RC12R	2203-000531	CHIP CAPACITOR		
RC13L	2203-000783	CHIP CAPACITOR		
RC13R	2203-000783	CHIP CAPACITOR		
RC14L	2401-000213	E CAPACITOR		
RC14R	2401-000213	E CAPACITOR		
RIC2	BA4560	IC	1201-000163	
RJ1	2007-000070	CHIP RESISTOR		
RJ2	2007-000070	CHIP RESISTOR		
RQ1	0501-000341	TRANSISTOR		
RR7	2007-000094	CHIP RESISTOR		
RR10L	2007-000078	CHIP RESISTOR		
RR10R	2007-000078	CHIP RESISTOR		
RR12L	2007-000124	CHIP RESISTOR		
RR12R	2007-000124	CHIP RESISTOR		
RR13L	2007-000084	CHIP RESISTOR		
RR13R	2007-000084	CHIP RESISTOR		
SC8	2401-001238	E CAPACITOR		
SC11	2203-001140	CHIP CAPACITOR		
SC12	2203-005221	CHIP CAPACITOR		
SC13	2401-001324	E CAPACITOR		
SC19	2203-000783	CHIP CAPACITOR		
SC20	2401-000752	E CAPACITOR		
SC25	2203-000604	CHIP CAPACITOR		
SIC1	BA4560	IC	1201-000163	
SJ1	2007-000070	CHIP RESISTOR		
SR6	2007-000101	CHIP RESISTOR		
SR10	2007-000101	CHIP RESISTOR		
SR11	2007-000098	CHIP RESISTOR		
SR12	2007-000129	CHIP RESISTOR		
SR13	2007-000098	CHIP RESISTOR		
SR14	2007-000075	CHIP RESISTOR		
SR18	2007-000075	CHIP RESISTOR		
SR20	2007-000119	CHIP RESISTOR		
SR21	2007-000084	CHIP RESISTOR		
SR29	2007-000094	CHIP RESISTOR		
UC500	2203-005005	CHIP CAPACITOR		
UC510	2203-000604	CHIP CAPACITOR		
UD500	0401-001090	FR DIODE		
UIC50	M66010	IC	0904-001316	
UR500	2007-000090	CHIP RESISTOR		
UR501	2007-000090	CHIP RESISTOR		
UR503	2007-000124	CHIP RESISTOR		
UR504	2007-000124	CHIP RESISTOR		
UR505	2007-000090	CHIP RESISTOR		
UR506	2007-000090	CHIP RESISTOR		
UR507	2007-000090	CHIP RESISTOR		
UR508	2007-000082	CHIP RESISTOR		
UR509	2007-000082	CHIP RESISTOR		
UR510	2007-000082	CHIP RESISTOR		
UR511	2007-000082	CHIP RESISTOR		
UR512	2007-000082	CHIP RESISTOR		
UR513	2007-000090	CHIP RESISTOR		
UR514	2007-000090	CHIP RESISTOR		
UR517	2007-000124	CHIP RESISTOR		
UR518	2007-000090	CHIP RESISTOR		
UR519	2007-000090	CHIP RESISTOR		
UR520	2007-000124	CHIP RESISTOR		
UR521	2007-000090	CHIP RESISTOR		
UR522	2007-000090	CHIP RESISTOR		
UR524	2007-000090	CHIP RESISTOR		
UR525	2007-000078	CHIP RESISTOR		
UW1	3710-001422	CONNECTOR		
UW2	3710-001422	CONNECTOR		
UW3	3710-001868	CONNECTOR		

△ Symbol No.	Part No.	Part Name	Description	Local
UW4	3708-000266	CONNECTOR		
UW6	3708-001574	CONNECTOR		
UW7	3710-001422	CONNECTOR		
UW8	3710-001422	CONNECTOR		
UW9	3711-000820	CONNECTOR		

Scart jack board

Block No. [0][4][0][0]

△ Symbol No.	Part No.	Part Name	Description	Local
VC1	2401-001975	E CAPACITOR		
VC2	2202-000780	C CAPACITOR		
VC3	2401-001092	E CAPACITOR		
VC4	2401-001092	E CAPACITOR		
VC5	2401-001092	E CAPACITOR		
VC6	2401-001092	E CAPACITOR		
VC7	2202-000797	C CAPACITOR		
VC9	2401-001092	E CAPACITOR		
VC10	2202-000780	C CAPACITOR		
VC11	2202-000780	C CAPACITOR		
VC12	2202-000780	C CAPACITOR		
VC15	2202-000797	C CAPACITOR		
VC17	2202-000797	C CAPACITOR		
VC18	2202-000796	C CAPACITOR		
VC36	2401-001954	E CAPACITOR		
VC51	2202-000263	C CAPACITOR		
VC32L	2202-000231	C CAPACITOR		
VC32R	2202-000231	C CAPACITOR		
VR1	2001-000969	C RESISTOR		
VR2	2001-000969	C RESISTOR		
VR3	2001-000969	C RESISTOR		
VR4	2001-000969	C RESISTOR		
VR5	2001-000969	C RESISTOR		
VR6	2001-000969	C RESISTOR		
VR9	2001-000969	C RESISTOR		
VR10	2001-000515	C RESISTOR		
VR11	2001-000302	C RESISTOR		
VR12	2001-000591	C RESISTOR		
VR13	2001-000857	C RESISTOR		
VR14	2001-000273	C RESISTOR		
VR15	2001-000734	C RESISTOR		
VR16	2001-000969	C RESISTOR		
VR21	2001-000290	C RESISTOR		
VR22	2001-000290	C RESISTOR		
VR41	2001-000449	C RESISTOR		
VR42	2001-000429	C RESISTOR		
VR43	2001-000522	C RESISTOR		
VR51	2001-000273	C RESISTOR		
VR23L	2001-000857	C RESISTOR		
VR23R	2001-000857	C RESISTOR		
VR24L	2001-000515	C RESISTOR		
VR24R	2001-000515	C RESISTOR		
VR45L	2001-000515	C RESISTOR		
VR45R	2001-000515	C RESISTOR		
JCN1	3708-001760	CONNECTOR		
OC2	2202-000780	C CAPACITOR		
OJK1	0603-001126	OP TRANSMITTER		
OL1	2701-000116	INDUCTOR-AXIAL		
OL2	2701-000116	INDUCTOR-AXIAL		
SCRT1	3722-001682	JACK		
VBD1	3301-000297	BEAD		
VBD2	3301-000297	BEAD		
VBD3	3301-000297	BEAD		
VD1	0401-000101	FR DIODE		
VJK1	AH37-00005A	RCA JACK		
VL4L	2701-000177	COIL		
VL4R	2701-000177	COIL		
VQ1	0501-000398	TRANSISTOR		
VQ2	0504-001003	DIGI TRANSISTOR		
VQ4	0501-000303	TRANSISTOR		
VQ5	0501-000303	TRANSISTOR		

Symbol No.	Part No.	Part Name	Description	Local
VQ6	0501-000637	TRANSISTOR		
VQ7	0504-000118	DIGI TRANSISTOR		
VQ8	0504-000118	DIGI TRANSISTOR		
VQ9L	0501-002436	TRANSISTOR		
VQ9R	0501-002436	TRANSISTOR		
VQ10L	0501-002436	TRANSISTOR		
VQ10R	0501-002436	TRANSISTOR		
VSW1	AH34-00015A	SLIDE SWITCH		
VW1	3711-004110	CONNECTOR		
VW2	3711-004110	CONNECTOR		
VW4	3708-001051	CONNECTOR		
XXXXX	2701-000177	COIL		

Symbol No.	Part No.	Part Name	Description	Local
C87	2203-005005	CHIP CAPACITOR		
C88	2402-000009	E CAPACITOR		
C89	2203-005005	CHIP CAPACITOR		
C90	2402-000009	E CAPACITOR		
C93	2007-000084	CHIP RESISTOR		
C95	2203-005005	CHIP CAPACITOR		
C96	2203-005005	CHIP CAPACITOR		
C98	2203-005005	CHIP CAPACITOR		
C99	2203-005005	CHIP CAPACITOR		
C100	2203-005005	CHIP CAPACITOR		
C101	2203-000998	CHIP CAPACITOR		
C102	2203-005005	CHIP CAPACITOR		
C103	2203-005005	CHIP CAPACITOR		
C104	2203-005005	CHIP CAPACITOR		
C105	2402-000009	E CAPACITOR		
C106	2203-005005	CHIP CAPACITOR		
C107	2203-005005	CHIP CAPACITOR		
C108	2203-005005	CHIP CAPACITOR		
C109	2203-005005	CHIP CAPACITOR		
C110	2203-005005	CHIP CAPACITOR		
C111	2203-005005	CHIP CAPACITOR		
C113	2203-005005	CHIP CAPACITOR		
C115	2203-000681	CHIP CAPACITOR		
C116	2203-000646	CHIP CAPACITOR		
C119	2203-005005	CHIP CAPACITOR		
TC1	2203-000257	CHIP CAPACITOR		
TC2	2203-000280	CHIP CAPACITOR		
TC3	2203-000280	CHIP CAPACITOR		
TC4	2203-000280	CHIP CAPACITOR		
TC5	2203-000280	CHIP CAPACITOR		
TC6	2203-000280	CHIP CAPACITOR		
TC7	2203-000280	CHIP CAPACITOR		
VC1	2402-000107	E.CAPACITOR SMD		
VC2	2203-005005	CHIP CAPACITOR		
R1	2007-000075	CHIP RESISTOR		
R2	2007-000118	CHIP RESISTOR		
R14	2007-001042	CHIP RESISTOR		
R19	2007-000084	CHIP RESISTOR		
R22	2007-000113	CHIP RESISTOR		
R23	2007-000074	CHIP RESISTOR		
R24	2007-000074	CHIP RESISTOR		
R25	2007-000074	CHIP RESISTOR		
R26	2007-000078	CHIP RESISTOR		
R27	2007-000074	CHIP RESISTOR		
R28	2007-000078	CHIP RESISTOR		
R34	2007-000081	CHIP RESISTOR		
R35	2007-000078	CHIP RESISTOR		
R43	2007-000090	CHIP RESISTOR		
R44	2007-000113	CHIP RESISTOR		
R45	2007-000113	CHIP RESISTOR		
R47	2007-000070	CHIP RESISTOR		
R48	2007-000084	CHIP RESISTOR		
R49	2007-000084	CHIP RESISTOR		
R50	2007-000084	CHIP RESISTOR		
R55	2007-000078	CHIP RESISTOR		
R57	2007-000113	CHIP RESISTOR		
R58	2007-000122	CHIP RESISTOR		
R59	2007-000643	CHIP RESISTOR		
R60	2007-000799	CHIP RESISTOR		
R61	2007-000084	CHIP RESISTOR		
R67	2007-000113	CHIP RESISTOR		
R72	2007-000084	CHIP RESISTOR		
R73	2007-000084	CHIP RESISTOR		
R74	2007-000084	CHIP RESISTOR		
R76	2007-000084	CHIP RESISTOR		
R78	2007-000084	CHIP RESISTOR		
R79	2007-000084	CHIP RESISTOR		
R83	3301-001069	BEAD-SMD		
R85	2007-000113	CHIP RESISTOR		
R86	2007-000113	CHIP RESISTOR		
R87	2007-000070	CHIP RESISTOR		
R88	2007-000074	CHIP RESISTOR		
R89	2007-000113	CHIP RESISTOR		
R90	2007-001167	CHIP RESISTOR		
R91	2007-000539	CHIP RESISTOR		
R92	2007-000113	CHIP RESISTOR		
R93	2007-000113	CHIP RESISTOR		

DVD pack board

Block No. [0][5][0][0]

Symbol No.	Part No.	Part Name	Description	Local
Q1	0504-000128	DIGI TRANSISTOR		
D2	0401-001090	FR DIODE		
PC1	2203-005005	CHIP CAPACITOR		
PC2	2402-001042	E.CAPACITOR SMD		
PC3	2402-001059	E.CAPACITOR SMD		
PC4	2203-005005	CHIP CAPACITOR		
PC8	2203-005005	CHIP CAPACITOR		
PC9	2203-005005	CHIP CAPACITOR		
PC10	2402-000107	E.CAPACITOR SMD		
PC11	2402-000009	E CAPACITOR		
PC12	2203-005005	CHIP CAPACITOR		
PC13	2402-000107	E.CAPACITOR SMD		
PC14	2203-005005	CHIP CAPACITOR		
C11	2402-000176	E.CAPACITOR SMD		
C38	2402-000009	E CAPACITOR		
C39	2203-005005	CHIP CAPACITOR		
C40	2402-000009	E CAPACITOR		
C43	2203-005065	CHIP CAPACITOR		
C48	2203-005065	CHIP CAPACITOR		
C51	2203-000681	CHIP CAPACITOR		
C52	2203-000681	CHIP CAPACITOR		
C53	2203-000681	CHIP CAPACITOR		
C54	2203-000681	CHIP CAPACITOR		
C55	2203-000681	CHIP CAPACITOR		
C56	2203-005005	CHIP CAPACITOR		
C57	2203-000257	CHIP CAPACITOR		
C58	2203-005005	CHIP CAPACITOR		
C59	2203-000888	CHIP CAPACITOR		
C60	2203-005005	CHIP CAPACITOR		
C61	2203-005005	CHIP CAPACITOR		
C62	2203-005005	CHIP CAPACITOR		
C63	2203-005005	CHIP CAPACITOR		
C64	2203-005005	CHIP CAPACITOR		
C65	2203-005005	CHIP CAPACITOR		
C66	2402-000009	E CAPACITOR		
C67	2203-005005	CHIP CAPACITOR		
C68	2203-005005	CHIP CAPACITOR		
C69	2402-000009	E CAPACITOR		
C70	2402-000009	E CAPACITOR		
C71	2203-005005	CHIP CAPACITOR		
C72	2203-005005	CHIP CAPACITOR		
C73	2402-000009	E CAPACITOR		
C74	2402-000176	E.CAPACITOR SMD		
C75	2203-005005	CHIP CAPACITOR		
C76	2203-005005	CHIP CAPACITOR		
C77	2203-005005	CHIP CAPACITOR		
C78	2203-005005	CHIP CAPACITOR		
C81	2203-005005	CHIP CAPACITOR		
C82	2203-005005	CHIP CAPACITOR		
C83	2203-005005	CHIP CAPACITOR		
C84	2203-005005	CHIP CAPACITOR		
C85	2203-005005	CHIP CAPACITOR		
C86	2203-000384	CHIP CAPACITOR		

△ Symbol No.	Part No.	Part Name	Description	Local	△ Symbol No.	Part No.	Part Name	Description	Local
R94	2007-000113	CHIP RESISTOR			AR12	2007-000113	CHIP RESISTOR		
R95	2007-000113	CHIP RESISTOR			AR13	2007-000075	CHIP RESISTOR		
R96	2007-000070	CHIP RESISTOR			AR14	2007-001167	CHIP RESISTOR		
R98	2007-000113	CHIP RESISTOR			AR15	2007-001167	CHIP RESISTOR		
R99	2007-000070	CHIP RESISTOR			AR16	2007-000102	CHIP RESISTOR		
R102	2007-000078	CHIP RESISTOR			AR20	2007-000102	CHIP RESISTOR		
R103	2007-000078	CHIP RESISTOR			AR24	2007-000102	CHIP RESISTOR		
R104	2007-000102	CHIP RESISTOR			AR28	2007-000102	CHIP RESISTOR		
R105	2007-000113	CHIP RESISTOR			AR32	2007-000102	CHIP RESISTOR		
R106	2007-000113	CHIP RESISTOR			AR36	2007-000102	CHIP RESISTOR		
R107	2007-000113	CHIP RESISTOR			AR40	2007-000074	CHIP RESISTOR		
R110	2007-000084	CHIP RESISTOR			AR44	2007-000074	CHIP RESISTOR		
R112	2007-000070	CHIP RESISTOR			AR51	2007-000074	CHIP RESISTOR		
TR1	2007-000074	CHIP RESISTOR			AR52	2007-000078	CHIP RESISTOR		
TR2	2007-000090	CHIP RESISTOR			ASL1	3301-001495	BEAD-SMD		
VR1	2007-000115	CHIP RESISTOR			ATL3	2007-000070	CHIP RESISTOR		
VR2	2007-000402	CHIP RESISTOR			ATL4	2007-000070	CHIP RESISTOR		
VR15	2007-000115	CHIP RESISTOR			CN1	3708-001807	CONNECTOR		
VR18	2007-000402	CHIP RESISTOR			CN3	3711-002533	CONNECTOR		
VR20	2007-000402	CHIP RESISTOR			CN4	3711-005306	CONNECTOR		
VR21	2007-000115	CHIP RESISTOR			DC1	2203-005005	CHIP CAPACITOR		
VR22	2007-000402	CHIP RESISTOR			DC2	2203-000236	CHIP CAPACITOR		
VR24	2007-000115	CHIP RESISTOR			DC3	2203-000236	CHIP CAPACITOR		
VR25	2007-000402	CHIP RESISTOR			DC4	2203-000888	CHIP CAPACITOR		
L4	2007-000029	CHIP RESISTOR			DC5	2203-005005	CHIP CAPACITOR		
L28	3301-001069	BEAD-SMD			DC6	2203-005005	CHIP CAPACITOR		
L29	2007-000074	CHIP RESISTOR			DC8	2203-005005	CHIP CAPACITOR		
L31	3301-001069	BEAD-SMD			DC9	2402-000179	E.CAPACITOR SMD		
L32	2007-000074	CHIP RESISTOR			DC10	2402-000170	E.CAPACITOR SMD		
L33	2007-000074	CHIP RESISTOR			DC12	2402-000170	E.CAPACITOR SMD		
L34	2007-000074	CHIP RESISTOR			DC13	2203-005005	CHIP CAPACITOR		
L35	2007-000074	CHIP RESISTOR			DC14	2402-000170	E.CAPACITOR SMD		
L38	2007-000029	CHIP RESISTOR			DC15	2203-005005	CHIP CAPACITOR		
L40	3301-001495	BEAD-SMD			DC16	2203-005005	CHIP CAPACITOR		
L41	3301-001495	BEAD-SMD			DC17	2203-005005	CHIP CAPACITOR		
AC3	2203-005005	CHIP CAPACITOR			DC18	2203-005005	CHIP CAPACITOR		
AC4	2402-000009	E CAPACITOR			DC19	2203-005005	CHIP CAPACITOR		
AC5	2203-005005	CHIP CAPACITOR			DR1	2007-000097	CHIP RESISTOR		
AC6	2402-000009	E CAPACITOR			DR2	2007-000090	CHIP RESISTOR		
AC7	2203-005005	CHIP CAPACITOR			DR5	2007-000134	CHIP RESISTOR		
AC8	2402-000176	E.CAPACITOR SMD			DR6	2007-000090	CHIP RESISTOR		
AC9	2203-005005	CHIP CAPACITOR			DR7	2007-000097	CHIP RESISTOR		
AC10	2402-000176	E.CAPACITOR SMD			DR8	2007-000134	CHIP RESISTOR		
AC14	2402-000176	E.CAPACITOR SMD			DR10	2007-000113	CHIP RESISTOR		
AC17	2402-000176	E.CAPACITOR SMD			DR11	2007-000091	CHIP RESISTOR		
AC21	2402-000176	E.CAPACITOR SMD			DR12	2007-000097	CHIP RESISTOR		
AC24	2402-000176	E.CAPACITOR SMD			DR13	2007-000082	CHIP RESISTOR		
AC28	2402-000176	E.CAPACITOR SMD			DR15	2007-000129	CHIP RESISTOR		
AC31	2203-000440	CHIP CAPACITOR			DR16	2007-000097	CHIP RESISTOR		
AC35	2203-000440	CHIP CAPACITOR			DR17	2007-000097	CHIP RESISTOR		
AC36	2402-000176	E.CAPACITOR SMD			DR30	2007-000483	CHIP RESISTOR		
AC38	2402-000009	E CAPACITOR			DR31	2007-000483	CHIP RESISTOR		
AC39	2402-000176	E.CAPACITOR SMD			DR34	2007-000483	CHIP RESISTOR		
AC40	2402-000176	E.CAPACITOR SMD			DR35	2007-000483	CHIP RESISTOR		
AIC1	STAC9460S	IC	1205-002215		DR37	2007-000483	CHIP RESISTOR		
AJ1	3708-001805	CONNECTOR			DR38	2007-000029	CHIP RESISTOR		
AJS1	3708-001615	CONNECTOR			DR40	2007-000483	CHIP RESISTOR		
AL2	3301-001069	BEAD-SMD			DR44	2007-000076	CHIP RESISTOR		
AL4	3301-001069	BEAD-SMD			DR46	2007-000078	CHIP RESISTOR		
AL5	3301-001069	BEAD-SMD			DR48	2007-000113	CHIP RESISTOR		
AL6	3301-001069	BEAD-SMD			DR49	2007-000078	CHIP RESISTOR		
AL7	3301-001069	BEAD-SMD			DR50	2007-000078	CHIP RESISTOR		
AL9	3301-001069	BEAD-SMD			DR52	2007-000070	CHIP RESISTOR		
AL16	3301-001069	BEAD-SMD			DR53	2007-000076	CHIP RESISTOR		
AL17	3301-001069	BEAD-SMD			DR54	2007-000102	CHIP RESISTOR		
AL18	3301-001495	BEAD-SMD			DR56	2007-000029	CHIP RESISTOR		
AL19	3301-001069	BEAD-SMD			DR57	2007-000029	CHIP RESISTOR		
AL20	3301-001069	BEAD-SMD			DR59	2007-000097	CHIP RESISTOR		
AL21	3301-001495	BEAD-SMD			DR60	2007-000070	CHIP RESISTOR		
AR1	2007-000078	CHIP RESISTOR			DR61	2007-000070	CHIP RESISTOR		
AR3	2007-000308	CHIP RESISTOR			DRIC1	BA5954FM	IC	1003-001450	
AR4	2007-000694	CHIP RESISTOR			DRIC2	FAN8423D3TF	IC	1003-001507	
AR8	2007-000029	CHIP RESISTOR			DRIC3	FAN8082DTF	IC	1003-001508	
AR9	2007-001167	CHIP RESISTOR			DXT1	2801-004180	CRYSTAL		
AR10	2007-001167	CHIP RESISTOR			DZD1	0403-001062	Z DIODE		
AR11	2007-001167	CHIP RESISTOR			DZD2	0403-001376	Z DIODE		
					JR1	2007-000872	CHIP RESISTOR		
					LC1	2203-005005	CHIP CAPACITOR		

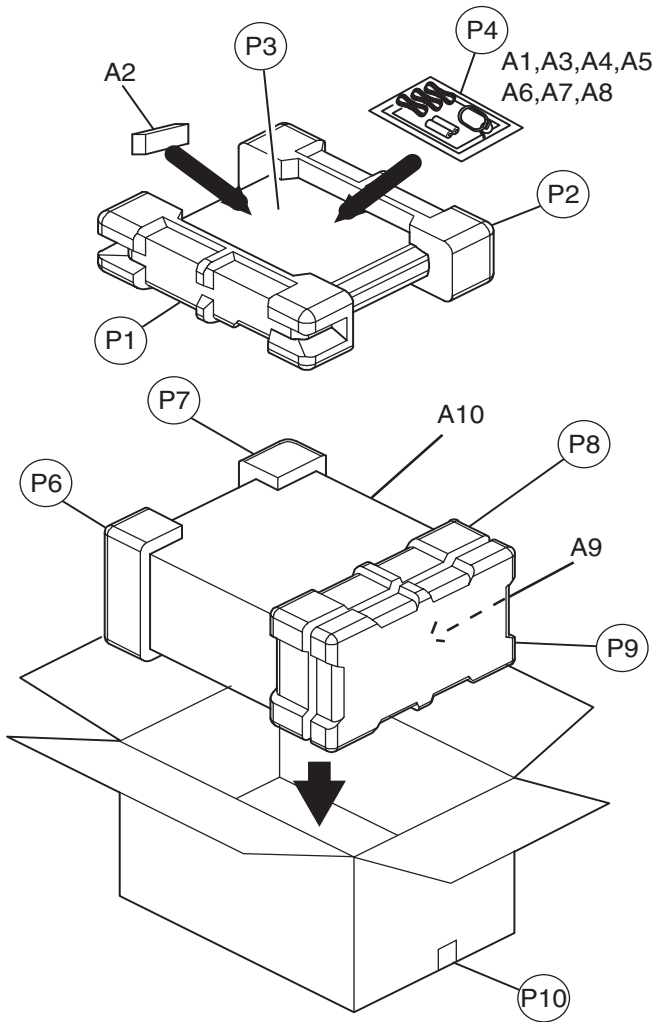
△ Symbol No.	Part No.	Part Name	Description	Local	△ Symbol No.	Part No.	Part Name	Description	Local
LC2	2203-005005	CHIP CAPACITOR			RD1	0407-000116	FR DIODE		
LC3	2203-005005	CHIP CAPACITOR			RD2	0407-000116	FR DIODE		
LR1	2007-000124	CHIP RESISTOR			REG1	AIC1117A	IC	1203-002877	
LR2	2007-000124	CHIP RESISTOR			REG2	AIC1117ACE	IC	1203-002935	
MC6	2203-005065	CHIP CAPACITOR			REG3	AIC1117ACE	IC	1203-002935	
MC7	2203-005005	CHIP CAPACITOR			REG4	AP1117	IC	1203-002425	
MC8	2203-005005	CHIP CAPACITOR			RIC1	SP3721A	IC	1201-001790	
MIC1	49F512	IC	1107-001203		RIC2	TL3472CD	IC	1201-001842	
MIC3	61AN1902	IC	1203-001369		RL1	3301-001069	BEAD-SMD		
MR12	2007-000076	CHIP RESISTOR			RL2	3301-001069	BEAD-SMD		
MR14	2007-000076	CHIP RESISTOR			RN1	2011-000651	R-NET		
MR15	2007-000076	CHIP RESISTOR			RN2	2011-000651	R-NET		
MR16	2007-000076	CHIP RESISTOR			RN3	2011-000651	R-NET		
MR17	2007-000076	CHIP RESISTOR			RN4	2011-000651	R-NET		
MR18	2007-000070	CHIP RESISTOR			RN5	2011-000651	R-NET		
MR19	2007-000076	CHIP RESISTOR			RN6	2011-000651	R-NET		
MR21	2007-000078	CHIP RESISTOR			RN7	2011-000651	R-NET		
MR22	2007-000070	CHIP RESISTOR			RQ1	0501-000632	TRANSISTOR		
MR23	2007-000084	CHIP RESISTOR			RQ2	0501-000632	TRANSISTOR		
MR26	2007-000094	CHIP RESISTOR			RQ3	0504-000128	DIGI TRANSISTOR		
MR30	2007-000070	CHIP RESISTOR			RQ4	0504-000128	DIGI TRANSISTOR		
MR32	2007-000070	CHIP RESISTOR			RQ5	0504-000128	DIGI TRANSISTOR		
OPIC1	CS8415A-CZ	IC	1001-001170		RR1	2007-000308	CHIP RESISTOR		
OPIC2	74LCX244	IC	0802-001007		RR2	2007-000070	CHIP RESISTOR		
OPIC3	74LCX374	IC	0802-001025		RR3	2007-000078	CHIP RESISTOR		
PCN1	3711-005307	CONNECTOR			RR4	2007-001179	CHIP RESISTOR		
PL1	3301-001495	BEAD-SMD			RR5	2007-000113	CHIP RESISTOR		
PL3	3301-001495	BEAD-SMD			RR6	2007-000070	CHIP RESISTOR		
PL5	2007-000029	CHIP RESISTOR			RR7	2007-000070	CHIP RESISTOR		
PL7	3301-001495	BEAD-SMD			RR8	2007-000113	CHIP RESISTOR		
PL8	3301-001495	BEAD-SMD			RR9	2007-000113	CHIP RESISTOR		
PL10	3301-001495	BEAD-SMD			RR10	2007-000308	CHIP RESISTOR		
PL13	3301-001495	BEAD-SMD			RR11	2007-000070	CHIP RESISTOR		
PL17	3301-001495	BEAD-SMD			RR12	2007-000078	CHIP RESISTOR		
PL18	3301-001495	BEAD-SMD			RR13	2007-000124	CHIP RESISTOR		
PL19	3301-001495	BEAD-SMD			RR14	2007-000124	CHIP RESISTOR		
PR1	2007-000308	CHIP RESISTOR			RR15	2007-000090	CHIP RESISTOR		
RC1	2203-005005	CHIP CAPACITOR			RR16	2007-000090	CHIP RESISTOR		
RC2	2203-005005	CHIP CAPACITOR			RR18	2007-000075	CHIP RESISTOR		
RC3	2203-005005	CHIP CAPACITOR			RR19	2007-000090	CHIP RESISTOR		
RC4	2203-005005	CHIP CAPACITOR			RR20	2007-000074	CHIP RESISTOR		
RC7	2402-000107	E.CAPACITOR SMD			RR21	2007-000070	CHIP RESISTOR		
RC8	2203-005005	CHIP CAPACITOR			RR23	2007-000090	CHIP RESISTOR		
RC9	2203-001126	CHIP CAPACITOR			RR24	2007-000078	CHIP RESISTOR		
RC10	2203-000440	CHIP CAPACITOR			RR25	2007-000098	CHIP RESISTOR		
RC11	2203-005005	CHIP CAPACITOR			RR26	2007-000088	CHIP RESISTOR		
RC12	2203-001636	CHIP CAPACITOR			RR27	2007-000070	CHIP RESISTOR		
RC13	2203-001126	CHIP CAPACITOR			RR28	2007-000107	CHIP RESISTOR		
RC14	2203-001636	CHIP CAPACITOR			RR30	2007-001179	CHIP RESISTOR		
RC15	2203-001126	CHIP CAPACITOR			RR31	2007-000078	CHIP RESISTOR		
RC16	2203-001636	CHIP CAPACITOR			SC1	2203-000972	CHIP CAPACITOR		
RC17	2203-000972	CHIP CAPACITOR			SC2	2203-001052	CHIP CAPACITOR		
RC18	2203-001126	CHIP CAPACITOR			SC3	2402-001059	E.CAPACITOR SMD		
RC19	2203-001126	CHIP CAPACITOR			SC4	2203-005005	CHIP CAPACITOR		
RC20	2402-000107	E.CAPACITOR SMD			SC5	2203-005005	CHIP CAPACITOR		
RC21	2203-000236	CHIP CAPACITOR			SC6	2203-000998	CHIP CAPACITOR		
RC22	2203-000440	CHIP CAPACITOR			SC8	2203-005005	CHIP CAPACITOR		
RC23	2203-005005	CHIP CAPACITOR			SC9	2203-005005	CHIP CAPACITOR		
RC26	2203-000440	CHIP CAPACITOR			SC11	2203-000440	CHIP CAPACITOR		
RC28	2203-005005	CHIP CAPACITOR			SC12	2203-001103	CHIP CAPACITOR		
RC29	2203-005005	CHIP CAPACITOR			SC13	2203-001652	CHIP CAPACITOR		
RC30	2203-005005	CHIP CAPACITOR			SC14	2203-000972	CHIP CAPACITOR		
RC34	2402-000009	E CAPACITOR			SC15	2203-001656	CHIP CAPACITOR		
RC35	2203-005005	CHIP CAPACITOR			SC16	2203-001656	CHIP CAPACITOR		
RC36	2203-005005	CHIP CAPACITOR			SC17	2203-005005	CHIP CAPACITOR		
RC37	2402-000009	E CAPACITOR			SC18	2203-005005	CHIP CAPACITOR		
RC38	2203-005005	CHIP CAPACITOR			SC19	2203-000440	CHIP CAPACITOR		
RC39	2203-001636	CHIP CAPACITOR			SC20	2203-000440	CHIP CAPACITOR		
RC40	2203-005005	CHIP CAPACITOR			SC21	2203-005005	CHIP CAPACITOR		
RC41	2203-005005	CHIP CAPACITOR			SC22	2203-005005	CHIP CAPACITOR		
RC42	2203-001652	CHIP CAPACITOR			SC23	2203-005005	CHIP CAPACITOR		
RC43	2203-005005	CHIP CAPACITOR			SC24	2203-005005	CHIP CAPACITOR		
RC44	2203-005005	CHIP CAPACITOR			SC25	2203-005005	CHIP CAPACITOR		
RC45	2402-000009	E CAPACITOR			SC26	2203-005005	CHIP CAPACITOR		
RC46	2203-000681	CHIP CAPACITOR			SC27	2203-005005	CHIP CAPACITOR		
RC47	2203-001071	CHIP CAPACITOR			SC28	2203-000998	CHIP CAPACITOR		
RC48	2203-001071	CHIP CAPACITOR			SC29	2203-001573	CHIP CAPACITOR		
RCN2	3708-001808	CONNECTOR			SC31	2203-005005	CHIP CAPACITOR		

△ Symbol No.	Part No.	Part Name	Description	Local
SC32	2203-005005	CHIP CAPACITOR		
SC35	2203-001573	CHIP CAPACITOR		
SC37	2203-005005	CHIP CAPACITOR		
SC38	2203-005005	CHIP CAPACITOR		
SC39	2203-005005	CHIP CAPACITOR		
SC40	2203-005005	CHIP CAPACITOR		
SIC1	M5705	IC	1204-001936	
SIC2	K4E151512D	IC	1105-001372	
SN1	2011-000475	R-NET		
SR1	2007-000122	CHIP RESISTOR		
SR2	2007-000131	CHIP RESISTOR		
SR3	2007-000131	CHIP RESISTOR		
SR5	2007-000084	CHIP RESISTOR		
SR7	2007-000093	CHIP RESISTOR		
SR8	2007-001010	CHIP RESISTOR		
SR9	2007-000082	CHIP RESISTOR		
SR10	2007-000082	CHIP RESISTOR		
SR11	2007-000082	CHIP RESISTOR		
SR12	2007-000084	CHIP RESISTOR		
SR13	2007-000070	CHIP RESISTOR		
SR14	2007-000097	CHIP RESISTOR		
SR15	2007-000113	CHIP RESISTOR		
SR17	2007-000082	CHIP RESISTOR		
SR18	2007-000084	CHIP RESISTOR		
SR19	2007-000070	CHIP RESISTOR		
SR21	2007-000962	CHIP RESISTOR		
SR22	2007-000078	CHIP RESISTOR		
SR23	2007-000309	CHIP RESISTOR		
SR24	2007-000090	CHIP RESISTOR		
SR26	2007-000309	CHIP RESISTOR		
SR27	2007-000097	CHIP RESISTOR		
SR28	2007-000090	CHIP RESISTOR		
SR29	2007-000962	CHIP RESISTOR		
SR31	2007-000084	CHIP RESISTOR		
SR33	2007-000094	CHIP RESISTOR		
SR34	2007-000076	CHIP RESISTOR		
SR35	2007-000076	CHIP RESISTOR		
SR36	2007-000076	CHIP RESISTOR		
SR37	2007-000076	CHIP RESISTOR		
TN1	2011-001011	R-NET		
TN2	2011-001011	R-NET		
TN3	2011-000475	R-NET		
TN4	2011-000585	R-NET		
TN5	2011-000475	R-NET		
TN6	2011-001011	R-NET		
TN7	2011-001011	R-NET		
TN8	2011-001011	R-NET		
TN9	2011-001011	R-NET		
TN10	2011-000816	R-NET		
TN11	2011-000816	R-NET		
TN12	2011-000816	R-NET		
TN13	2011-000816	R-NET		
U11	74HCT245	IC	0801-002683	
U13	ESS6028F	IC	AH09-00089A	
U14	H1606	IC	1105-001369	
U15	M29W800DT	IC	1107-001416	
U16	S524A40X21-SCT0	IC	1103-001292	
U17	74LCX157	IC	0801-002518	
VL1	2703-000125	INDUCTOR SMD		
VL2	2007-000029	CHIP RESISTOR		
VL3	3301-001495	BEAD-SMD		
VQ1	0501-000314	TRANSISTOR		
VQ3	0501-000314	TRANSISTOR		
VQ4	0501-000314	TRANSISTOR		
VQ5	0501-000314	TRANSISTOR		
VQ6	0501-000314	TRANSISTOR		
Y3	2801-004284	CRYSTAL		

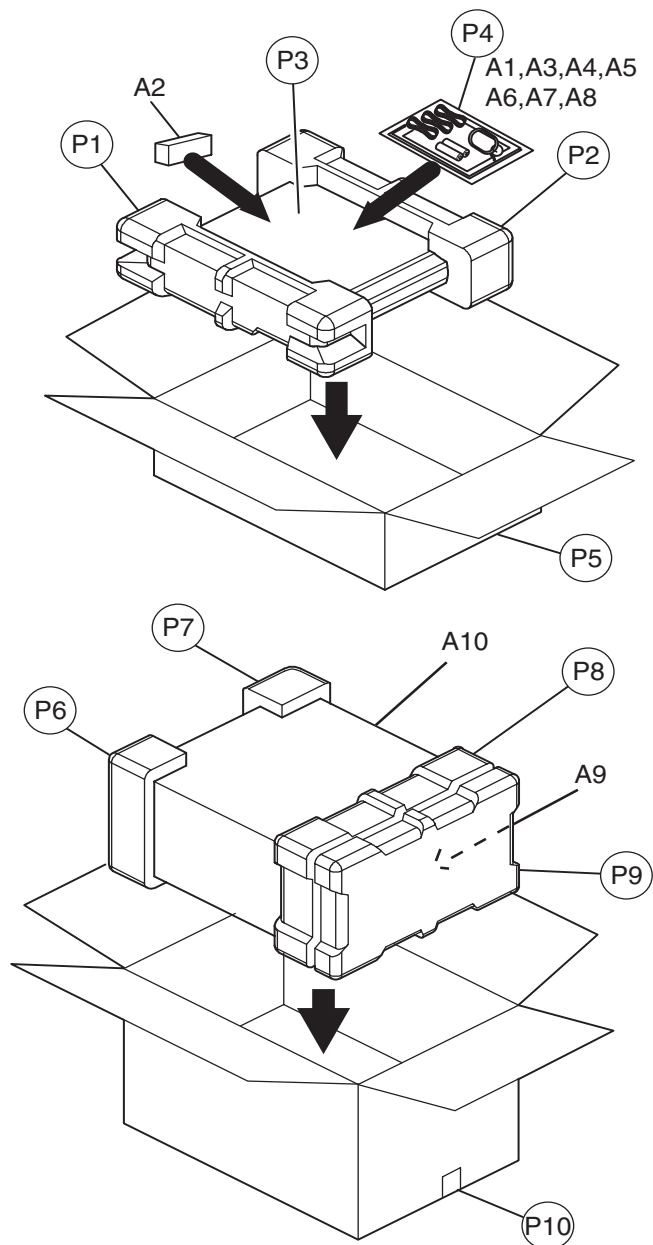
Packing materials and accessories parts list

Block No. M 3 M M

EE



B,E,EN,EV



Packing and accessories

Block No. [M][3][M][M]

△ Symbol No.	Part No.	Part Name	Description	Local
A 1	AH68-01352D	INST BOOK	ENG	A25B
A 1	AH68-01352K	INST BOOK	RUS	A25E
A 1	AH68-01352F	INST BOOK	SWE FIN DAN GER FRE SPA ITA N	E A25E
A 1	AH68-01352E	INST BOOK	CZE POL HUN	A25E V
A 1	AH68-01352G	INST BOOK	CZE POL HUN	A25E V
A 2	AH59-01226A	REMOCON-ASSY	RM-STHA25R (TH- A25)	
A 3	AH42-00001B	FM-WIRE		
A 4	AH42-20001P	ANT LOOP		
A 5	-----	BATTERY	(x2)	
A 6	AH68-00415D	WARANTY CARD		A25B, A25E, A25E N
A 6	AH68-00415F	WARANTY CARD		A25E E,A25 EV
A 7	AH68-00415C	IMPORTANT CARD		
A 8	AH39-40001V	CABLE-AUDIO		
A 9	AH81-01308B	SATELLITE SPK	FRONT REAR(x5)	
A 10	AH81-01308A	SUBWOOFER		
P 1	AH69-01031A	CUSHION-L		
P 2	AH69-01032A	CUSHION-R		
P 3	6902-000063	BAG-PE SET	FOR SET	
P 4	6902-000385	BAG-PE I/B	FOR ACCESSORIES	
P 5	AH69-01049A	PACKING-CASE		A25B, A25E, A25E N,A25 EV
P 6	AH81-01308N	CUSHION-TOP	FOR SPEAKER	
P 7	AH81-01308P	CUSHION-BOTTOM	FOR SPEAKER	
P 8	AH81-01308R	CUSHION-MID	FOR SPEAKER	
P 9	AH81-01308Q	CUSHION-REAR	FOR SPEAKER	
P 10	AH81-01308S	PACKING-CASE		A25B, A25E, A25E N,A25 EV
P 10	AH69-01050B	MASTER-CARTON		A25E E