

SECTION 7 EXPLODED VIEWS

NOTE:

- The mechanical parts with no reference number in the exploded views are not supplied.
- Items marked "*" are not stocked since they are seldom required for routine service. Some delay should be anticipated when ordering these items.

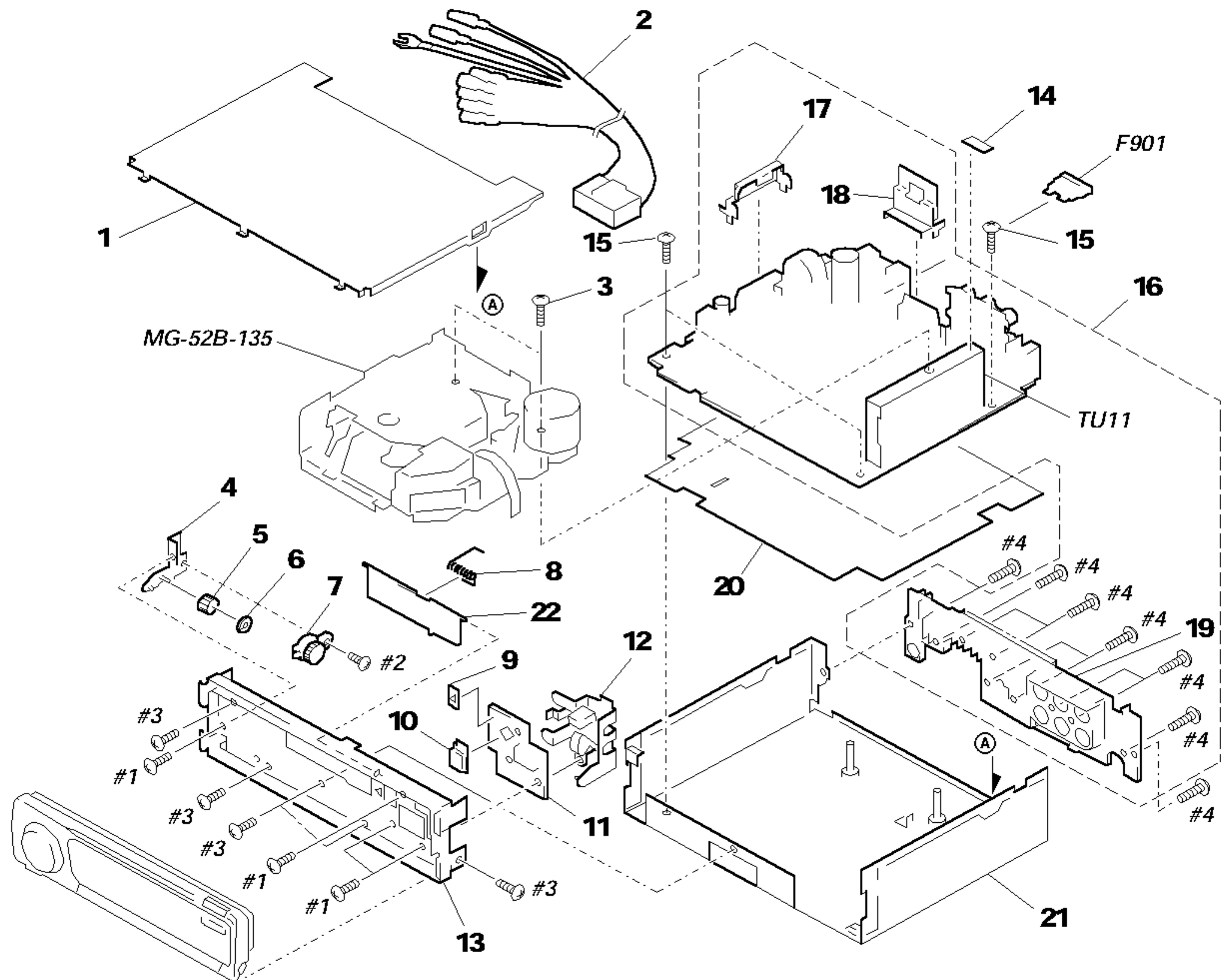
- -XX and -X mean standardized parts, so they may have some difference from the original one.
- Color Indication of Appearance Parts

Example :
KNOB, BALANCE (WHITE) ... (RED)

↑ ↑
Parts Color Cabinet's Color

- Hardware (# mark) list and accessories and packing materials are given in the last of this parts list.

7-1. CHASSIS SECTION



Ref. No.	Part No.	Description	Remark	Ref. No.	Part No.	Description	Remark
* 1	X-3373-362-1	COVER ASSY		15	3-915-923-01	SCREW, GROUND POINT	
2	1-776-207-11	CORD (WITH CONNECTOR) (POWER)		* 16	A-3309-984-A	MAIN BOARD, COMPLETE (E)	
3	3-919-171-01	SCREW (2.6X6) (C TIGHT)		* 16	A-3309-986-A	MAIN BOARD, COMPLETE (US,Canadian)	
4	X-3373-376-1	BRACKET (GEAR) ASSY		* 17	3-011-078-01	BRACKET (POWER IC)	
5	3-011-170-01	GEAR (HOLDER)		* 18	3-001-090-01	BRACKET (AMP)	
6	3-341-752-11	WASHER, POLYETHYLENE		* 19	3-001-077-01	HEAT SINK (E)	
7	3-953-235-31	DAMPER, OIL		* 19	3-001-077-11	HEAT SINK (US,Canadian)	
8	3-913-076-01	SPRING (C DOOR), TORSION		* 20	3-012-196-01	INSULATOR	
9	3-010-993-11	PLATE (C DOOR), LIGHT GUIDE		* 21	X-3373-384-1	CHASSIS ASSY	
10	3-010-996-01	BUTTON (EJECT)		22	3-922-165-91	DOOR, CASSETTE	
* 11	1-665-379-11	SUB BOARD		F901	1-532-877-11	FUSE (BLADE TYPE) (AUTO FUSE) 10A	
12	X-3373-374-1	LOCK ASSY		TU11	A-3282-019-A	TUNER UNIT (TUX-008 (EA)) (E)	
13	X-3373-541-1	PANEL ASSY, SUB		TU11	A-3282-029-A	TUNER UNIT (TUX-006/2 (E)) (US,Canadian)	
* 14	3-355-209-01	PLATE (B), GROUND					