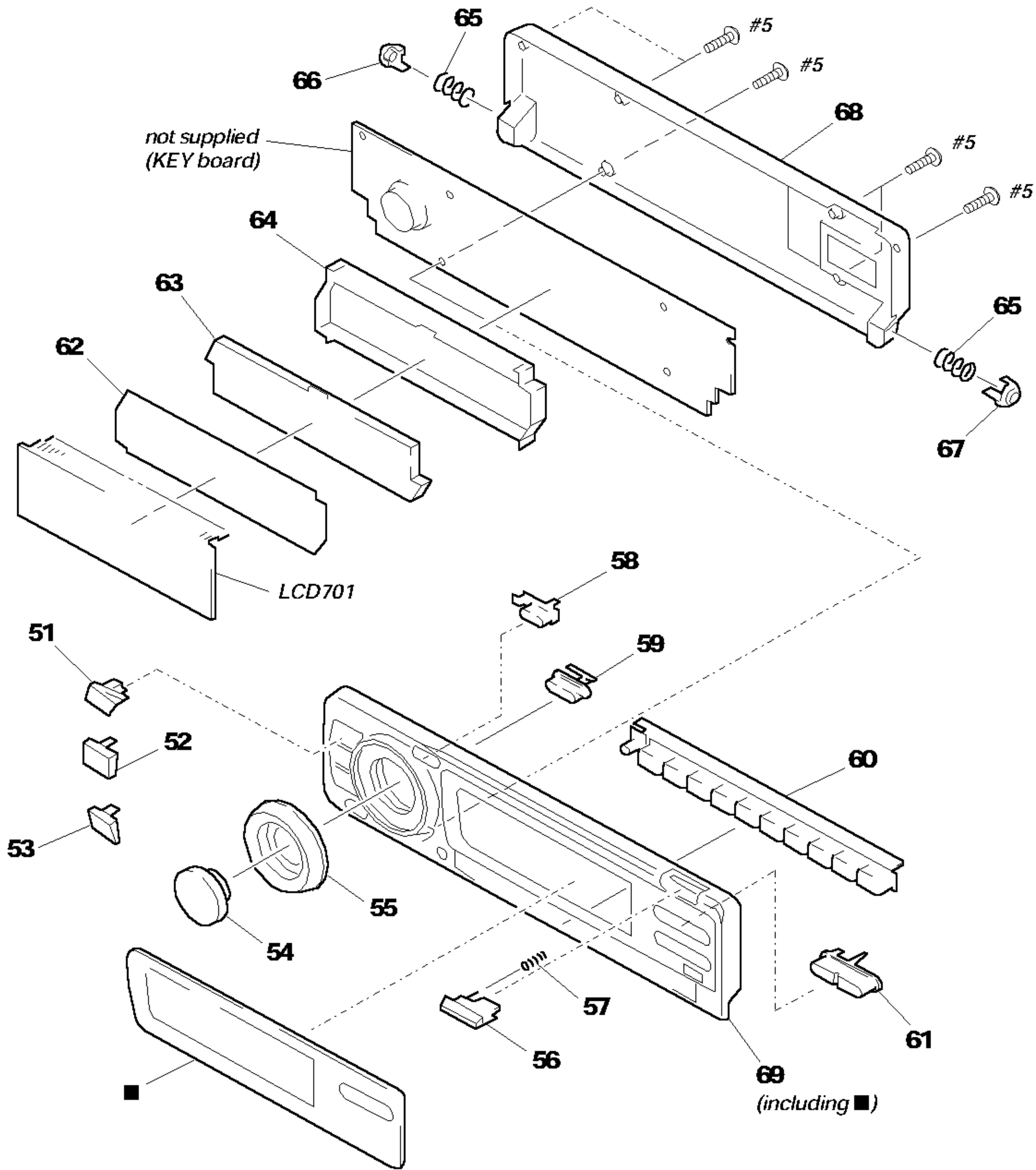


## 7-2. FRONT PANEL SECTION



| Ref. No. | Part No.     | Description          | Remark | Ref. No. | Part No.     | Description                   | Remark |
|----------|--------------|----------------------|--------|----------|--------------|-------------------------------|--------|
| 51       | 3-010-985-01 | BUTTON (+)           |        | 61       | 3-011-460-01 | BUTTON (LIST)                 |        |
| 52       | 3-010-986-01 | BUTTON (MODE)        |        | * 62     | 3-010-995-01 | ILLUMINATOR (LCD)             |        |
| 53       | 3-010-987-01 | BUTTON (-)           |        | * 63     | 3-010-991-01 | PLATE (LCD), LIGHT GUIDE      |        |
| 54       | X-3373-383-1 | BUTTON (SOURCE) ASSY |        | * 64     | 3-010-994-01 | HOLDER (LCD)                  |        |
| 55       | 3-010-989-01 | KNOB (VOL)           |        | 65       | 3-010-998-01 | SPRING (BEARING)              |        |
| 56       | 3-010-983-01 | BUTTON (OPEN)        |        | 66       | 3-010-999-01 | BEARING (L)                   |        |
| 57       | 3-010-997-01 | SPRING (OPEN)        |        | 67       | 3-011-000-01 | BEARING (R)                   |        |
| 58       | 3-010-982-01 | BUTTON (SOUND)       |        | 68       | 3-010-977-01 | PANEL, FRONT BACK             |        |
| 59       | 3-010-981-01 | BUTTON (OFF)         |        | 69       | X-3373-705-1 | PANEL SUB ASSY, FRONT         |        |
| 60       | 3-010-980-01 | BUTTON (10 KEY)      |        | LCD701   | 1-801-679-11 | DISPLAY PANEL, LIQUID CRYSTAL |        |