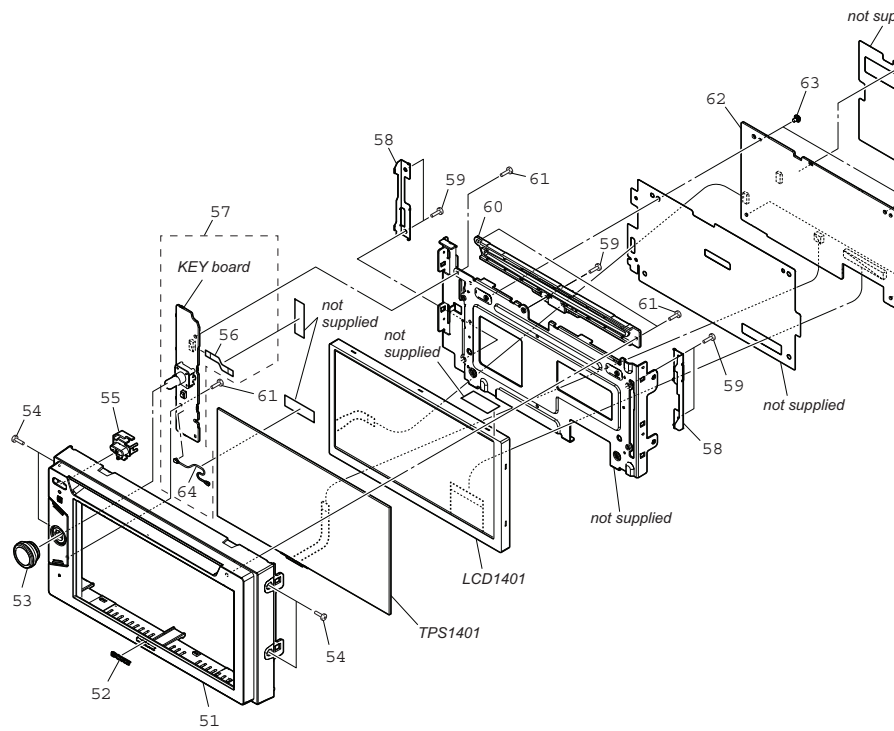


6-2. FRONT PANEL SECTION

Note 1: Exchanged old complete LCD board is destroys with the hammer, and throw away.

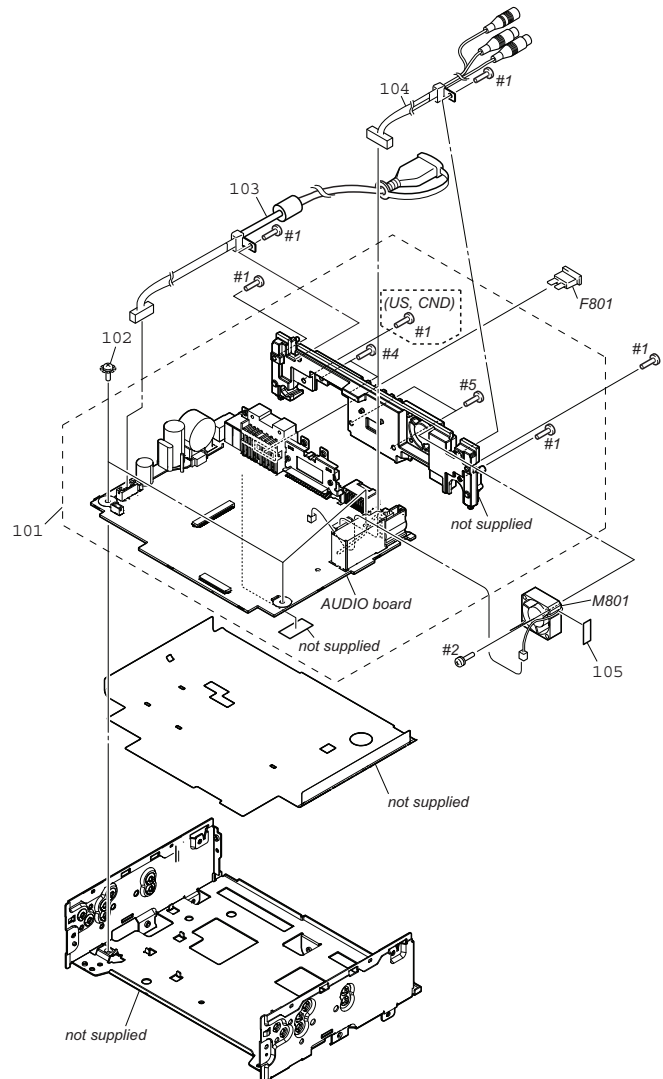


Note 2: When replacing the liquid crystal display panel (LCD1401) refer to "NOTE OF REPLACING THE LIQUID CRYSTAL DISPLAY PANEL (LCD1401)" on page 4.

Ref. No.	Part No.	Description	Remark	Ref. No.	Part No.	Description	Remark
51	X-2514-952-1	PANEL (FRONT 6 BT) ASSY (660BT: US, CND)		59	2-895-937-01	SCREW (M2X2.5), SERRATION	
51	X-2548-589-1	PANEL (FRONT 6 BT) ASSY (L66BT)		60	X-2514-953-1	GUIDE (CD 6) ASSY	
51	X-2549-533-1	PANEL (FRONT 6 BT) ASSY (660BT: AEP, UK)		61	3-250-543-21	SCREW (+B P-TITE M2)	
52	3-251-320-01	EMBLEM (No. 2.5), SONY		62	A-1785-332-A	LCD BOARD, COMPLETE	
53	X-2547-041-2	KNOB (SV) ASSY		63	2-892-797-02	SCREW +PTW M2	
54	4-157-049-01	SCREW +Z S1.7X4		64	1-834-678-11	LEAD WIRE WITH CONNECTOR	
55	4-148-647-01	BUTTON (EJECT) (▲)		LCD1401	1-811-003-11	DISPLAY PANEL, LIQUID CRYSTAL	
56	1-837-118-21	CABLE, FLEXIBLE FLAT (10 CORE)		TPS1401	1-811-004-11	TOUCH PANEL	
57	A-1785-326-A	KEY BOARD, COMPLETE					
58	4-148-658-01	BRACKET (LCD 6)					

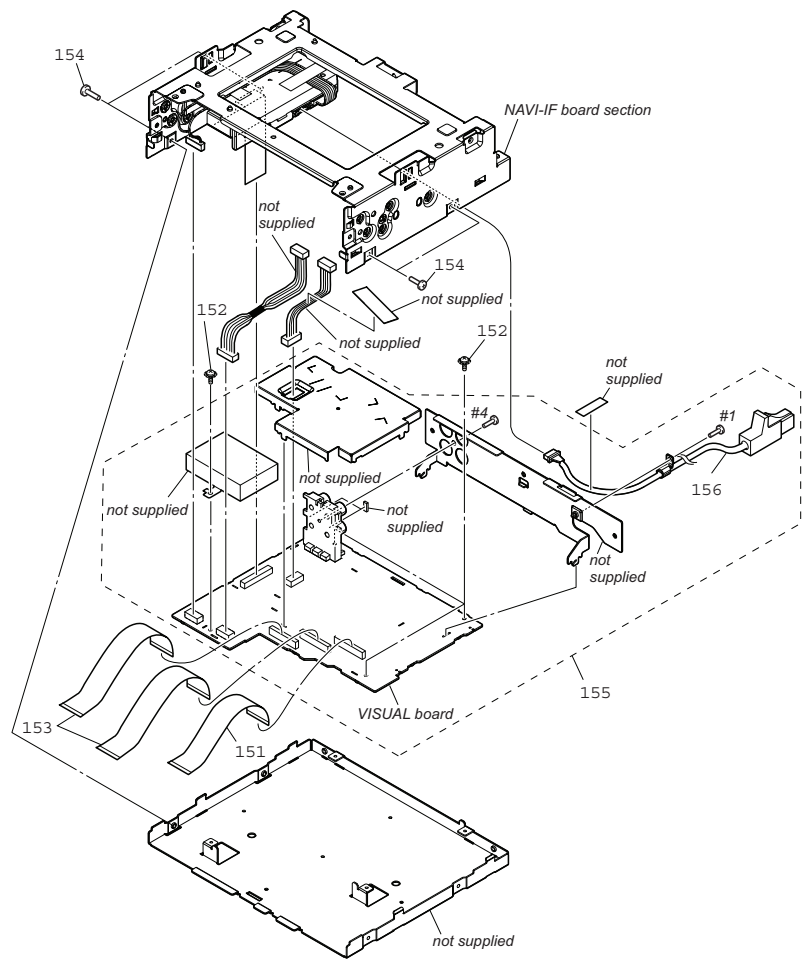
XNV-660BT/L66BT

6-3. CHASSIS 2F SECTION



Ref. No.	Part No.	Description	Remark	Ref. No.	Part No.	Description	Remark
101	A-1785-324-A	AUDIO BOARD, COMPLETE (660BT: US, CND)		105	2-686-869-01	SHEET (GPS WIRE)	
101	A-1785-325-A	AUDIO BOARD, COMPLETE (L66BT)		F801	1-532-877-11	FUSE (BLADE TYPE) (AUTO FUSE) (10A/32V)	
101	A-1792-683-A	AUDIO BOARD, COMPLETE (660BT: AEP, UK)		M801	1-787-764-11	FAN, DC	
102	3-376-464-11	SCREW (+PTT 2.6X6), GROUND POINT		#1	7-685-792-09	SCREW +PTT 2.6X6 (S)	
103	1-837-307-11	CONNECTION CORD FOR AUTOMOBILE (-\leftrightarrow)		#2	7-628-254-90	SCREW +PS 2.6X14	
104	1-837-315-11	CONNECTION CORD FOR AUTOMOBILE (MIC IN/AUX2 AUDIO IN)		#4	7-685-134-19	SCREW +P 2.6X8 TYPE2 NON-SLIT	
				#5	7-685-795-09	SCREW +PTT 2.6X12 (S)	

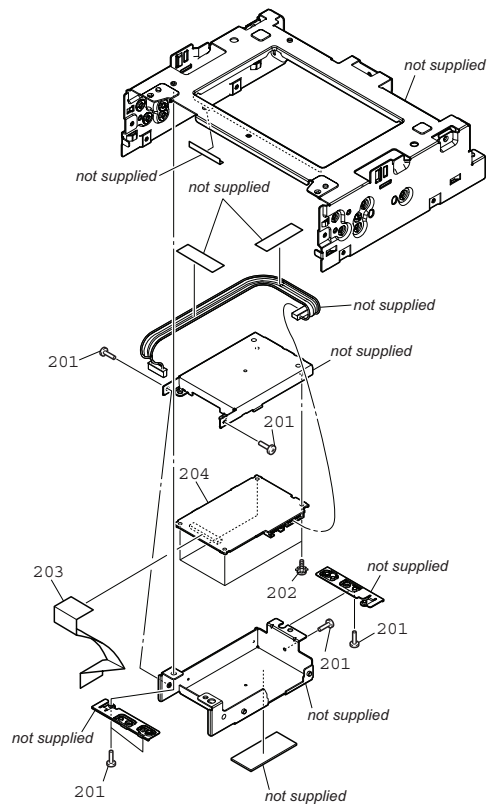
6-4. CHASSIS 1F SECTION



Ref. No.	Part No.	Description	Remark	Ref. No.	Part No.	Description	Remark
151	1-837-115-21	CABLE, FLEXIBLE FLAT (40 CORE)		156	1-838-284-11	CONNECTION CORD FOR AUTOMOBILE (
152	2-894-799-01	SCREW +PTW S2X5		#1	7-685-792-09	SCREW +PTT 2.6X6 (S)	
153	1-837-119-21	CABLE, FLEXIBLE FLAT (40 CORE)		#4	7-685-134-19	SCREW +P 2.6X8 TYPE2 NON-SLIT	
154	2-892-795-01	SCREW +Z S2.6X4					
155	A-1785-322-A	VISUAL BOARD, COMPLETE					

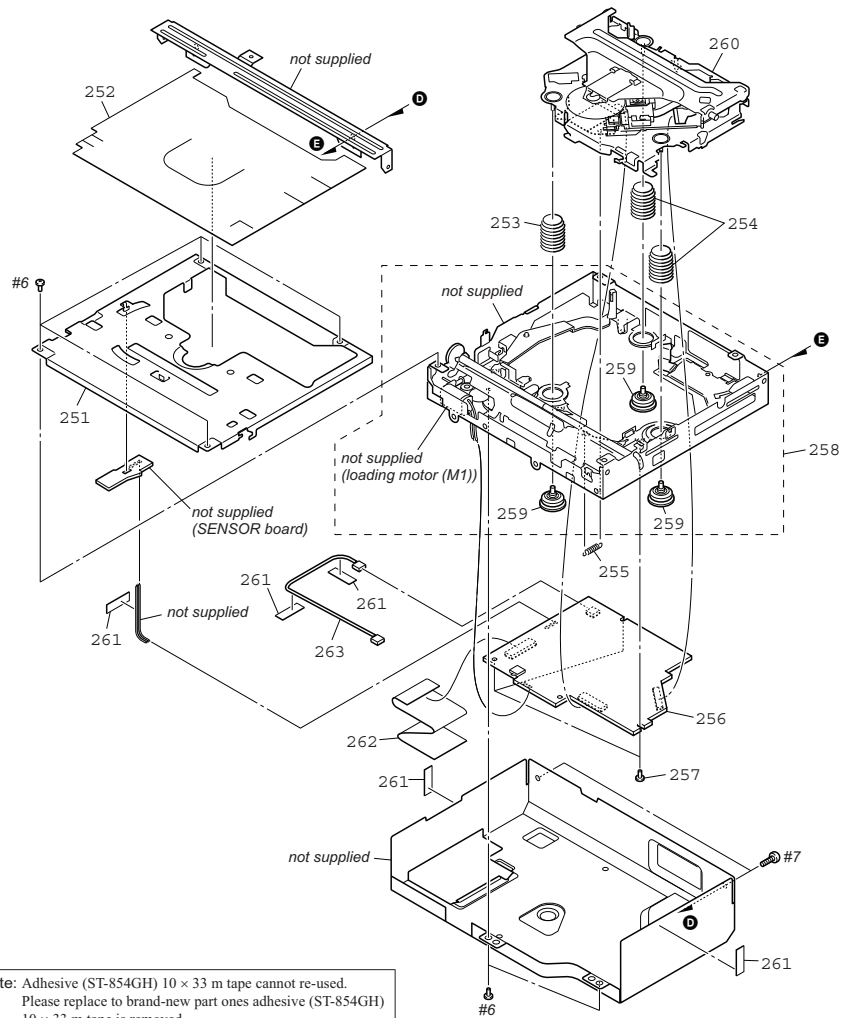
XNV-660BT/L66BT

6-5. NAVI-HF BOARD SECTION



Ref. No.	Part No.	Description	Remark	Ref. No.	Part No.	Description	Remark
201	3-042-244-01	SCREW (T)		203	1-838-285-11	CABLE, FLEXIBLE FLAT (40 CORE)	
202	2-894-799-01	SCREW +PTW S2X5		204	A-1785-328-A	NAVI-HF BOARD, COMPLETE	

6-6. DVD MECHANISM DECK SECTION (MG-613CA-187)



Note: Adhesive (ST-854GH) 10 x 33 m tape cannot re-used.
Please replace to brand-new part ones adhesive (ST-854GH)
10 x 33 m tape is removed.

Ref. No.	Part No.	Description	Remark	Ref. No.	Part No.	Description	Remark
251	A-1211-766-B	CHASSIS (T612Z) SUB ASSY		259	3-253-748-11	DAMPER (S)	
252	2-583-629-21	SHEET, DUST PROTECTION		△ 260	A-1560-594-B	CHASSIS (OP, ZA) COMPLETE ASSY	
253	2-893-930-01	SPRING (DAMPER, Z), COMPRESSION				(Including optical pick-up (KHS)	
254	3-257-892-01	SPRING (DAMPER), COIL		261	7-600-028-44	TAPE, ADHESIVE (ST-854GH) 10X33 m	
255	2-188-954-11	SPRING (KF), TENSION		262	1-837-116-41	CABLE, FLEXIBLE FLAT (60 CORE)	
256	A-1732-272-A	SERVO BOARD, COMPLETE		263	1-838-748-11	CORD WITH CONNECTOR	
257	4-162-647-01	SCREW, TOOTHED LOCK +Z M1.7X2.5		#6	7-627-552-87	SCREW, PRECISION +P 1.7X2.2	
258	A-1732-663-A	CHASSIS (M613) COMPLETE ASSY		#7	7-685-791-01	SCREW +PTT 2.6X5 (S)	
		(Including loading motor (M1))					

XNV-660BT/L66BT

Ver. 1.1

AUDIO

SECTION 7
ELECTRICAL PARTS LIST

Note:

- Due to standardization, replacements in the parts list may be different from the parts specified in the diagrams or the components used on the set.
- -XX and -X mean standardized parts, so they may have some difference from the original one.
- Items marked "a" are not stocked since they are seldom required for routine service. Some delay should be anticipated when ordering these items.
- RESISTORS

All resistors are in ohms.
METAL: Metal-film resistor.
METAL OXIDE: Metal oxide-film resistor.
F: nonflammable

- CAPACITORS
uF: μ F
- COILS
uH: μ H
- SEMICONDUCTORS
In each case, u: μ , for example:
uA. . . : μ A. . . , uPA. . . , μ PA. . . ,
uPB. . . : μ PB. . . , uPC. . . , μ PC. . . ,
uPD. . . : μ PD. . .
- Abbreviation
CND : Canadian model
IT : Italian model

When indicating parts by reference number, please include the board name.

The components identified by mark Δ or dotted line with mark Δ are critical for safety.
Replace only with part number specified.

Les composants identifiés par une marque Δ sont critiques pour la sécurité.
Ne les remplacer que par une pièce portant le numéro spécifié.

Ref. No.	Part No.	Description	Remark	Ref. No.	Part No.	Description	Remark
	A-1785-324-A	AUDIO BOARD, COMPLETE (660BT: US, CND)		C114	1-107-826-11	CERAMIC CHIP 0.1uF 10%	16V
	A-1785-325-A	AUDIO BOARD, COMPLETE (L66BT)		C115	1-162-927-11	CERAMIC CHIP 100PF 5%	50V
	A-1792-683-A	AUDIO BOARD, COMPLETE (660BT: AEP, UK) *****		C116	1-124-589-11	ELECT 47uF 20%	16V
				C117	1-165-989-11	CERAMIC CHIP 10uF 10%	6.3V
				C118	1-162-970-11	CERAMIC CHIP 0.01uF 10%	25V
	7-685-134-19	SCREW +P 2.6X8 TYPE2 NON-SLIT		C119	1-100-597-91	CERAMIC CHIP 0.1uF 10%	25V
	7-685-792-09	SCREW +PTT 2.6X6 (S)		C301	1-162-927-11	CERAMIC CHIP 100PF 5%	50V
	7-685-795-09	SCREW +PTT 2.6X12 (S)		C302	1-162-927-11	CERAMIC CHIP 100PF 5%	50V
		< CAPACITOR/FERRITE BEAD/RESISTOR >		C303	1-162-927-11	CERAMIC CHIP 100PF 5%	50V
				C304	1-162-927-11	CERAMIC CHIP 100PF 5%	50V
C1	1-162-964-11	CERAMIC CHIP 0.001uF 10%	50V	C305	1-162-927-11	CERAMIC CHIP 100PF 5%	50V
C5	1-162-964-11	CERAMIC CHIP 0.001uF 10%	50V	C307	1-100-381-11	ELECT CHIP 10uF 20%	16V
C6	1-162-917-11	CERAMIC CHIP 15PF 5%	50V	C308	1-100-381-11	ELECT CHIP 10uF 20%	16V
C8	1-162-921-11	CERAMIC CHIP 33PF 5%	50V	C309	1-100-381-11	ELECT CHIP 10uF 20%	16V
C9	1-107-826-11	CERAMIC CHIP 0.1uF 10%	16V	C310	1-100-381-11	ELECT CHIP 10uF 20%	16V
				C312	1-104-951-11	ELECT 10uF 20%	16V
C12	1-127-715-11	CERAMIC CHIP 0.22uF 10%	16V	C314	1-104-955-11	ELECT 100uF 20%	10V
C13	1-100-742-91	CERAMIC CHIP 2.2uF 20%	10V	C315	1-162-927-11	CERAMIC CHIP 100PF 5%	50V
C14	1-165-908-11	CERAMIC CHIP 1uF 10%	10V	C316	1-107-826-11	CERAMIC CHIP 0.1uF 10%	16V
C15	1-165-908-11	CERAMIC CHIP 1uF 10%	10V	C317	1-104-951-11	ELECT 10uF 20%	16V
C16	1-125-891-11	CERAMIC CHIP 0.47uF 10%	10V				
				C318	1-100-381-11	ELECT CHIP 10uF 20%	16V
C17	1-107-826-11	CERAMIC CHIP 0.1uF 10%	16V	C319	1-100-381-11	ELECT CHIP 10uF 20%	16V
C18	1-162-916-11	CERAMIC CHIP 12PF 5%	50V	C320	1-100-381-11	ELECT CHIP 10uF 20%	16V
C19	1-162-970-11	CERAMIC CHIP 0.01uF 10%	25V	C321	1-100-381-11	ELECT CHIP 10uF 20%	16V
C20	1-162-970-11	CERAMIC CHIP 0.01uF 10%	25V	C322	1-126-160-11	ELECT 1uF 20%	50V
C21	1-165-908-11	CERAMIC CHIP 1uF 10%	10V				
				C324	1-104-951-11	ELECT 10uF 20%	16V
C22	1-162-970-11	CERAMIC CHIP 0.01uF 10%	25V	C325	1-104-951-11	ELECT 10uF 20%	16V
C23	1-162-970-11	CERAMIC CHIP 0.01uF 10%	25V	C326	1-126-160-11	ELECT 1uF 20%	50V
C24	1-107-826-11	CERAMIC CHIP 0.1uF 10%	16V	C327	1-124-257-00	ELECT 2.2uF 20%	50V
C25	1-107-826-11	CERAMIC CHIP 0.1uF 10%	16V	C328	1-126-160-11	ELECT 1uF 20%	50V
C26	1-107-826-11	CERAMIC CHIP 0.1uF 10%	16V				
				C332	1-126-160-11	ELECT 1uF 20%	50V
C27	1-107-826-11	CERAMIC CHIP 0.1uF 10%	16V	C333	1-126-160-11	ELECT 1uF 20%	50V
C28	1-124-589-11	ELECT 47uF 20%	16V	C334	1-126-160-11	ELECT 1uF 20%	50V
C31	1-162-970-11	CERAMIC CHIP 0.01uF 10%	25V	C335	1-126-160-11	ELECT 1uF 20%	50V
C32	1-162-915-11	CERAMIC CHIP 10PF 0.5PF	50V (US, CND)	C336	1-162-964-11	CERAMIC CHIP 0.001uF 10%	50V (US, CND)
C102	1-114-181-11	ELECT CHIP 220uF 20%	6.3V				
				C337	1-162-964-11	CERAMIC CHIP 0.001uF 10%	50V
C103	1-114-181-11	ELECT CHIP 220uF 20%	6.3V	C338	1-162-964-11	CERAMIC CHIP 0.001uF 10%	50V
C104	1-126-176-11	ELECT 220uF 20%	10V	C339	1-162-964-11	CERAMIC CHIP 0.001uF 10%	50V
C106	1-162-970-11	CERAMIC CHIP 0.01uF 10%	25V	C340	1-162-964-11	CERAMIC CHIP 0.001uF 10%	50V
C107	1-162-970-11	CERAMIC CHIP 0.01uF 10%	25V	C343	1-126-160-11	ELECT 1uF 20%	50V
C108	1-162-970-11	CERAMIC CHIP 0.01uF 10%	25V				
				C361	1-162-927-11	CERAMIC CHIP 100PF 5%	50V
C109	1-107-826-11	CERAMIC CHIP 0.1uF 10%	16V	C362	1-162-927-11	CERAMIC CHIP 100PF 5%	50V
C110	1-162-970-11	CERAMIC CHIP 0.01uF 10%	25V	C363	1-162-927-11	CERAMIC CHIP 100PF 5%	50V
C111	1-107-826-11	CERAMIC CHIP 0.1uF 10%	16V	C364	1-162-927-11	CERAMIC CHIP 100PF 5%	50V
C112	1-126-518-11	ELECT 470uF 20%	4V	C365	1-124-257-00	ELECT 2.2uF 20%	50V
C113	1-107-826-11	CERAMIC CHIP 0.1uF 10%	16V				

Ref. No.	Part No.	Description	Remark	Ref. No.	Part No.	Description	Remark
C366	1-126-160-11	ELECT	1uF 20% 50V	C722	1-104-955-11	ELECT	100uF 20% 10V
C367	1-126-160-11	ELECT	1uF 20% 50V	C723	1-107-826-11	CERAMIC CHIP	0.1uF 10% 16V
C375	1-125-837-11	CERAMIC CHIP	1uF 10% 6.3V	C724	1-162-927-11	CERAMIC CHIP	100PF 5% 50V
C376	1-162-923-11	CERAMIC CHIP	47PF 5% 50V	C726	1-127-715-11	CERAMIC CHIP	0.22uF 10% 16V
C381	1-115-412-11	CERAMIC CHIP	680PF 5% 25V	C801	1-163-009-11	CERAMIC CHIP	0.001uF 10% 50V
C382	1-115-412-11	CERAMIC CHIP	680PF 5% 25V	C802	1-163-009-11	CERAMIC CHIP	0.001uF 10% 50V
C383	1-115-412-11	CERAMIC CHIP	680PF 5% 25V	C803	1-107-826-11	CERAMIC CHIP	0.1uF 10% 16V
C384	1-115-412-11	CERAMIC CHIP	680PF 5% 25V	C804	1-112-839-11	ELECT	4700uF 20% 16V
C385	1-115-412-11	CERAMIC CHIP	680PF 5% 25V	C805	1-115-340-11	CERAMIC CHIP	0.22uF 10% 25V
C388	1-162-970-11	CERAMIC CHIP	0.01uF 10% 25V	C807	1-115-340-11	CERAMIC CHIP	0.22uF 10% 25V
C401	1-162-970-11	CERAMIC CHIP	0.01uF 10% 25V	C808	1-115-340-11	CERAMIC CHIP	0.22uF 10% 25V
C402	1-162-970-11	CERAMIC CHIP	0.01uF 10% 25V	C809	1-126-098-11	ELECT	22uF 20% 35V
C403	1-162-970-11	CERAMIC CHIP	0.01uF 10% 25V	C810	1-100-352-11	CERAMIC CHIP	1uF 20% 16V
C404	1-162-970-11	CERAMIC CHIP	0.01uF 10% 25V	C810	1-469-637-11	FERRITE, EMI (SMD) (1608) (L66BT)	
C405	1-162-970-11	CERAMIC CHIP	0.01uF 10% 25V	C811	1-100-352-11	CERAMIC CHIP	1uF 20% 16V
C501	1-107-826-11	CERAMIC CHIP	0.1uF 10% 16V	C811	1-100-352-11	CERAMIC CHIP	1uF 20% 16V
C502	1-162-970-11	CERAMIC CHIP	0.01uF 10% 25V	C812	1-125-891-11	CERAMIC CHIP	0.47uF 10% 10V
C503	1-162-964-11	CERAMIC CHIP	0.001uF 10% 50V	C812	1-100-352-11	CERAMIC CHIP	1uF 20% 16V
C504	1-107-826-11	CERAMIC CHIP	0.1uF 10% 16V	C813	1-125-891-11	CERAMIC CHIP	0.47uF 10% 10V
C506	1-162-964-11	CERAMIC CHIP	0.001uF 10% 50V	C813	1-100-352-11	CERAMIC CHIP	1uF 20% 16V
C507	1-162-964-11	CERAMIC CHIP	0.001uF 10% 50V	C814	1-100-352-11	CERAMIC CHIP	1uF 20% 16V
C512	1-107-826-11	CERAMIC CHIP	0.1uF 10% 16V	C814	1-216-829-11	METAL CHIP	4.7k 5% 1/10W
C515	1-107-826-11	CERAMIC CHIP	0.1uF 10% 16V	C815	1-100-352-11	CERAMIC CHIP	1uF 20% 16V
C521	1-162-917-11	CERAMIC CHIP	15PF 5% 50V	C815	1-125-891-11	CERAMIC CHIP	0.47uF 10% 10V
C522	1-162-917-11	CERAMIC CHIP	15PF 5% 50V	C816	1-100-352-11	CERAMIC CHIP	1uF 20% 16V
C525	1-125-972-61	ELECT	100uF 20% 16V	C816	1-100-352-11	CERAMIC CHIP	1uF 20% 16V
C526	1-126-926-11	ELECT	1000uF 20% 10V	C816	1-469-637-11	FERRITE, EMI (SMD) (1608) (L66BT)	
C527	1-128-057-11	ELECT	330uF 20% 6.3V	C817	1-100-352-11	CERAMIC CHIP	1uF 20% 16V
C528	1-162-970-11	CERAMIC CHIP	0.01uF 10% 25V	C817	1-125-891-11	CERAMIC CHIP	0.47uF 10% 10V
C529	1-107-826-11	CERAMIC CHIP	0.1uF 10% 16V	C818	1-125-889-11	CERAMIC CHIP	2.2uF 10% 10V
C530	1-162-970-11	CERAMIC CHIP	0.01uF 10% 25V	C819	1-115-467-11	CERAMIC CHIP	0.22uF 10% 10V
C601	1-164-677-11	CERAMIC CHIP	0.033uF 10% 16V	C820	1-162-923-11	CERAMIC CHIP	47PF 5% 50V
C608	1-107-826-11	CERAMIC CHIP	0.1uF 10% 16V	C821	1-115-340-11	CERAMIC CHIP	0.22uF 10% 25V
C611	1-162-919-11	CERAMIC CHIP	22PF 5% 50V	C822	1-115-340-11	CERAMIC CHIP	0.22uF 10% 25V
C614	1-100-671-11	CERAMIC CHIP	4.7uF 20% 25V	C823	1-162-966-11	CERAMIC CHIP	0.0022uF 10% 50V
C615	1-165-733-91	ELECT	100uF 20% 25V	C824	1-165-908-11	CERAMIC CHIP	1uF 10% 10V
C616	1-100-912-11	CERAMIC CHIP	1uF 10% 25V	C825	1-124-589-11	ELECT	47uF 20% 16V
C617	1-164-217-11	CERAMIC CHIP	150PF 5% 50V	C826	1-162-970-11	CERAMIC CHIP	0.01uF 10% 25V
C618	1-162-964-11	CERAMIC CHIP	0.001uF 10% 50V	C827	1-124-589-11	ELECT	47uF 20% 16V
C620	1-126-941-11	ELECT	470uF 20% 25V (US, CND)	C828	1-162-970-11	CERAMIC CHIP	0.01uF 10% 25V
C621	1-165-319-11	CERAMIC CHIP	0.1uF 50V (US, CND)	C829	1-124-233-11	ELECT	10uF 20% 16V
C622	1-162-970-11	CERAMIC CHIP	0.01uF 10% 25V (US, CND)	C830	1-162-970-11	CERAMIC CHIP	0.01uF 10% 25V
C627	1-126-935-11	ELECT	470uF 20% 16V	C831	1-124-589-11	ELECT	47uF 20% 16V
C628	1-165-176-11	CERAMIC CHIP	0.047uF 10% 16V	C832	1-115-340-11	CERAMIC CHIP	0.22uF 10% 25V
C629	1-165-908-11	CERAMIC CHIP	1uF 10% 10V	C833	1-115-340-11	CERAMIC CHIP	0.22uF 10% 25V
C632	1-107-826-11	CERAMIC CHIP	0.1uF 10% 16V	C834	1-162-970-11	CERAMIC CHIP	0.01uF 10% 25V
C633	1-125-972-61	ELECT	100uF 20% 16V	C835	1-164-005-11	CERAMIC CHIP	0.47uF 25V
C634	1-125-972-61	ELECT	100uF 20% 16V	C836	1-164-005-11	CERAMIC CHIP	0.47uF 25V
C712	1-104-942-11	ELECT	1uF 20% 50V				
C713	1-104-942-11	ELECT	1uF 20% 50V				
C714	1-104-942-11	ELECT	1uF 20% 50V				
C715	1-104-942-11	ELECT	1uF 20% 50V				
C716	1-104-942-11	ELECT	1uF 20% 50V				
C717	1-107-826-11	CERAMIC CHIP	0.1uF 10% 16V				
C718	1-126-176-11	ELECT	220uF 20% 10V				
C719	1-126-176-11	ELECT	220uF 20% 10V				
C720	1-162-965-11	CERAMIC CHIP	0.0015uF 10% 50V				
C721	1-162-965-11	CERAMIC CHIP	0.0015uF 10% 50V				

XNV-660BT/L66BT

Ver. 1.1

AUDIO

Ref. No.	Part No.	Description	Remark	Ref. No.	Part No.	Description	Remark
C837	1-126-163-11	ELECT	4.7uF 20% 50V	D813	6-502-643-01	DIODE 1A4-A2	
C839	1-124-233-11	ELECT	10uF 20% 16V	D815	6-502-643-01	DIODE 1A4-A2	
C841	1-115-340-11	CERAMIC CHIP	0.22uF 10% 25V	D816	6-502-643-01	DIODE 1A4-A2	
C842	1-124-589-11	ELECT	47uF 20% 16V	D817	6-502-643-01	DIODE 1A4-A2	
C843	1-124-589-11	ELECT	47uF 20% 16V	D818	6-502-643-01	DIODE 1A4-A2	
C844	1-162-965-11	CERAMIC CHIP	0.0015uF 10% 50V (660BT)	D819	6-502-643-01	DIODE 1A4-A2	
C845	1-162-965-11	CERAMIC CHIP	0.0015uF 10% 50V (660BT)	D820	6-502-643-01	DIODE 1A4-A2	
C848	1-162-966-11	CERAMIC CHIP	0.0022uF 10% 50V (L66BT)	D821	6-502-643-01	DIODE 1A4-A2	
C851	1-107-826-11	CERAMIC CHIP	0.1uF 10% 16V	D822	6-502-643-01	DIODE 1A4-A2	
C855	1-162-970-11	CERAMIC CHIP	0.01uF 10% 25V	D823	6-502-643-01	DIODE 1A4-A2	
C856	1-126-163-11	ELECT	4.7uF 20% 50V	D824	6-502-643-01	DIODE 1A4-A2	
C913	1-112-746-11	CERAMIC CHIP	4.7uF 10% 6.3V	D825	6-501-817-01	DIODE MA2J1110GLS0	
C914	1-112-746-11	CERAMIC CHIP	4.7uF 10% 6.3V	D826	6-501-817-01	DIODE MA2J1110GLS0	
C919	1-125-837-11	CERAMIC CHIP	1uF 10% 6.3V	D854	6-501-817-01	DIODE MA2J1110GLS0	
C922	1-162-964-11	CERAMIC CHIP	0.001uF 10% 50V	D855	6-501-782-01	DIODE MAZ8180GMLS0	
C924	1-162-970-11	CERAMIC CHIP	0.01uF 10% 25V	D856	6-501-782-01	DIODE MAZ8180GMLS0	
C928	1-125-837-11	CERAMIC CHIP	1uF 10% 6.3V	D857	6-501-817-01	DIODE MA2J1110GLS0	
< CONNECTOR >				< FERRITE BEAD >			
* CN101	1-566-761-11	PIN, CONNECTOR (PC BOARD) 6P		FB1	1-400-334-21	FERRITE, EMI (SMD) (1608) (US, CND)	
CN103	1-564-708-11	PIN, CONNECTOR (SMALL TYPE) 6P		FB2	1-400-334-21	FERRITE, EMI (SMD) (1608) (US, CND)	
CN301	1-794-603-12	PIN, CONNECTOR (S16B-PADSS-1) 16P		FB3	1-400-334-21	FERRITE, EMI (SMD) (1608) (US, CND)	
* CN302	1-564-508-11	PLUG, CONNECTOR 5P		FB4	1-400-334-21	FERRITE, EMI (SMD) (1608) (US, CND)	
CN501	1-785-900-21	CONNECTOR 5P		FB301	1-414-385-21	INDUCTOR, FERRITE BEAD	
CN601	1-580-907-41	PLUG, CONNECTOR (BUS CONTROL IN) (US, CND)		FB302	1-414-385-21	INDUCTOR, FERRITE BEAD	
CN651	1-691-550-11	PIN, CONNECTOR (1.5mm) (SMD) 3P		FB303	1-414-228-11	INDUCTOR, FERRITE BEAD	
CN652	1-779-993-11	PIN, CONNECTOR (PWB) 5P		FB304	1-500-284-21	INDUCTOR, FERRITE BEAD	
CN801	1-774-701-21	PIN, CONNECTOR 16P		FB305	1-500-284-21	INDUCTOR, FERRITE BEAD	
* CN802	1-565-135-11	PIN, CONNECTOR (STRAIGHT) 2P		FB306	1-500-284-21	INDUCTOR, FERRITE BEAD	
* CN901	1-818-817-61	FFC/FPC CONNECTOR (ZIF) 40P		FB601	1-500-329-21	INDUCTOR, FERRITE BEAD	
CN906	1-820-644-31	CONNECTOR, FFC/FPC (ZIF) 60P		FB602	1-500-329-21	INDUCTOR, FERRITE BEAD	
< DIODE >				< IC >			
D102	6-500-334-01	DIODE MC2836-T112-1		IC1	6-714-162-01	IC TEF6617T/V1/S470_518	
D301	6-501-743-01	DIODE MAZ8068GMLS0 (US, CND)		IC101	6-714-707-01	IC NJM2885DL1-19 (TE2)	
D501	6-502-131-01	DIODE LRB751V-40T1G		* IC102	6-704-337-01	IC BD7931F	
D504	6-501-817-01	DIODE MA2J1110GLS0		IC104	6-709-213-01	IC NJM2387ADL3 (TE2)	
D505	6-500-335-01	DIODE MC2838-T112-1		IC301	6-714-623-01	IC BD3467FV-E2	
D602	6-501-657-01	DIODE MA24D5000BS0		IC501	6-712-776-01	IC PST8228UL	
D606	6-501-782-01	DIODE MAZ8180GMLS0 (US, CND)		IC502	6-716-830-01	IC R5F3640MDZ96FB (for SERVICE)	
D607	6-501-738-01	DIODE MAZ8062GMLS0 (US, CND)		IC503	6-702-302-01	IC TK11133CSCL-G	
D607	6-501-747-01	DIODE MAZ8075GMLS0 (EXCEPT US, CND)		IC504	6-703-997-01	IC BR24L08FV-WE2	
D608	6-501-782-01	DIODE MAZ8180GMLS0		IC601	6-714-602-01	IC BD9070FP-E2	
D609	6-501-782-01	DIODE MAZ8180GMLS0 (US, CND)		IC603	6-703-884-01	IC BA8271F-E2 (US, CND)	
D610	6-501-782-01	DIODE MAZ8180GMLS0 (US, CND)		IC704	6-709-146-01	IC NJM2792V (TE2)	
D611	6-502-131-01	DIODE LRB751V-40T1G (US, CND)		IC801	6-705-359-02	IC TDA8588AJ/N2/R1	
D653	6-501-743-01	DIODE MAZ8068GMLS0		IC851	6-706-487-01	IC TC75H08FU	
D801	6-501-782-01	DIODE MAZ8180GMLS0		IC905	6-702-302-01	IC TK11133CSCL-G	
D802	6-501-782-01	DIODE MAZ8180GMLS0		< JACK >			
D803	6-501-782-01	DIODE MAZ8180GMLS0		J1	1-815-185-13	JACK (ANT) (ANTENNA IN)	
D804	6-501-817-01	DIODE MA2J1110GLS0		J601	1-566-822-81	JACK (REMOTE IN)	
D806	6-501-782-01	DIODE MAZ8180GMLS0		< COIL >			
D807	6-501-782-01	DIODE MAZ8180GMLS0		L1	1-414-180-51	INDUCTOR 3.3uH	
D808	6-501-782-01	DIODE MAZ8180GMLS0		L2	1-410-501-61	INDUCTOR 2.2uH	
D809	8-719-053-18	DIODE 1SR154-400TE-25 (EXCEPT US, CND)					
D810	6-501-571-01	DIODE 1N5404-C311-3					
D811	6-502-643-01	DIODE 1A4-A2					

Ref. No.	Part No.	Description	Remark	Ref. No.	Part No.	Description	Remark
L6	1-457-817-11	COIL (FM MIX)		R130	1-216-864-11	SHORT CHIP	0
L7	1-481-285-51	INDUCTOR	560uH	R131	1-216-864-11	SHORT CHIP	0
L8	1-481-285-51	INDUCTOR	560uH	R132	1-216-864-11	SHORT CHIP	0
L101	1-481-182-21	INDUCTOR	22uH	R133	1-216-864-11	SHORT CHIP	0
L501	1-414-400-11	INDUCTOR	22uH	R134	1-216-864-11	SHORT CHIP	0
L604	1-411-595-21	COIL, CHOKE	47uH	R135	1-216-864-11	SHORT CHIP	0
L605	1-411-595-21	COIL, CHOKE	47uH	R136	1-216-864-11	SHORT CHIP	0
L606	1-412-525-25	INDUCTOR	10uH	R137	1-216-864-11	SHORT CHIP	0
L801	1-457-496-11	COIL, CHOKE	350uH	R138	1-216-864-11	SHORT CHIP	0
		< TRANSISTOR >		R139	1-216-864-11	SHORT CHIP	0
Q301	6-551-856-01	TRANSISTOR	LTC614TKFP8T146	R140	1-216-864-11	SHORT CHIP	0
Q302	6-551-856-01	TRANSISTOR	LTC614TKFP8T146	R141	1-216-295-00	SHORT CHIP	0
Q303	6-551-856-01	TRANSISTOR	LTC614TKFP8T146	R142	1-216-295-00	SHORT CHIP	0
Q304	6-551-856-01	TRANSISTOR	LTC614TKFP8T146	R143	1-216-295-00	SHORT CHIP	0
Q306	6-551-856-01	TRANSISTOR	LTC614TKFP8T146	R144	1-216-864-11	SHORT CHIP	0
Q307	6-550-683-01	FET	RJK005N03-T146 (US, CND)	R201	1-216-864-11	SHORT CHIP	0
Q501	8-729-038-30	TRANSISTOR	RT1P141M-TP-1	R202	1-216-864-11	SHORT CHIP	0
Q502	8-729-038-30	TRANSISTOR	RT1P141M-TP-1	R203	1-216-864-11	SHORT CHIP	0
Q605	8-729-038-23	TRANSISTOR	RT1N141C-TP-1	R301	1-216-864-11	SHORT CHIP	0
Q607	8-729-038-28	TRANSISTOR	RT1N441C-TP-1 (EXCEPT US, CND)	R302	1-216-864-11	SHORT CHIP	0
Q608	8-729-620-07	TRANSISTOR	2SC3052EF-T1-LEF (EXCEPT US, CND)	R303	1-216-864-11	SHORT CHIP	0
Q801	8-729-620-07	TRANSISTOR	2SC3052EF-T1-LEF	R304	1-216-864-11	SHORT CHIP	0
Q802	8-729-620-07	TRANSISTOR	2SC3052EF-T1-LEF	R305	1-216-025-11	METAL CHIP	100 5% 1/10W
Q803	8-729-620-07	TRANSISTOR	2SC3052EF-T1-LEF	R306	1-216-833-11	METAL CHIP	10K 5% 1/10W
Q804	8-729-027-23	TRANSISTOR	DTA114EKA-T146	R307	1-216-833-11	METAL CHIP	10K 5% 1/10W
Q805	8-729-028-99	TRANSISTOR	DTC114YUA-T106	R309	1-216-025-11	METAL CHIP	100 5% 1/10W
Q851	6-551-696-01	TRANSISTOR	ISA1235AC1TP-1EF	R311	1-216-025-11	METAL CHIP	100 5% 1/10W
Q852	8-729-620-07	TRANSISTOR	2SC3052EF-T1-LEF	R313	1-216-833-11	METAL CHIP	10K 5% 1/10W
		< RESISTOR/CAPACITOR >		R314	1-216-833-11	METAL CHIP	10K 5% 1/10W
R1	1-216-853-11	METAL CHIP	470K 5% 1/10W	R315	1-216-025-11	METAL CHIP	100 5% 1/10W
R2	1-216-853-11	METAL CHIP	470K 5% 1/10W	R316	1-216-864-11	SHORT CHIP	0
R3	1-216-864-11	SHORT CHIP	0 (EXCEPT US, CND)	R317	1-216-864-11	SHORT CHIP	0
R6	1-216-843-11	METAL CHIP	68K 5% 1/10W	R320	1-216-833-11	METAL CHIP	10K 5% 1/10W
R10	1-216-839-11	METAL CHIP	33K 5% 1/10W	R321	1-216-025-11	METAL CHIP	100 5% 1/10W
R11	1-216-829-11	METAL CHIP	4.7K 5% 1/10W	R326	1-216-809-11	METAL CHIP	100 5% 1/10W
R12	1-216-009-00	METAL CHIP	22 5% 1/10W	R327	1-216-809-11	METAL CHIP	100 5% 1/10W
R13	1-216-809-11	METAL CHIP	100 5% 1/10W	R328	1-216-809-11	METAL CHIP	100 5% 1/10W
R14	1-216-809-11	METAL CHIP	100 5% 1/10W	R329	1-216-809-11	METAL CHIP	100 5% 1/10W
R15	1-216-864-11	SHORT CHIP	0 (EXCEPT US, CND)	R330	1-216-809-11	METAL CHIP	100 5% 1/10W
R16	1-216-864-11	SHORT CHIP	0 (EXCEPT US, CND)	R331	1-216-823-11	METAL CHIP	1.5K 5% 1/10W
R17	1-216-864-11	SHORT CHIP	0 (EXCEPT US, CND)	R332	1-216-833-11	METAL CHIP	10K 5% 1/10W
R18	1-216-864-11	SHORT CHIP	0	R333	1-216-833-11	METAL CHIP	10K 5% 1/10W
R101	1-216-295-00	SHORT CHIP	0	R334	1-216-825-11	METAL CHIP	2.2K 5% 1/10W
R103	1-216-295-00	SHORT CHIP	0	R335	1-216-825-11	METAL CHIP	2.2K 5% 1/10W
R104	1-216-864-11	SHORT CHIP	0	R338	1-216-825-11	METAL CHIP	2.2K 5% 1/10W
R105	1-216-864-11	SHORT CHIP	0	R341	1-216-864-11	SHORT CHIP	0
R106	1-216-864-11	SHORT CHIP	0	R342	1-216-864-11	SHORT CHIP	0
R107	1-216-864-11	SHORT CHIP	0	R343	1-216-864-11	SHORT CHIP	0
R108	1-216-864-11	SHORT CHIP	0	R344	1-216-864-11	SHORT CHIP	0
R111	1-216-827-11	METAL CHIP	3.3K 5% 1/10W	R345	1-216-864-11	SHORT CHIP	0
R112	1-216-834-11	METAL CHIP	12K 5% 1/10W	R353	1-216-864-11	SHORT CHIP	0
R113	1-216-295-00	SHORT CHIP	0	R385	1-216-834-11	METAL CHIP	12K 5% 1/10W
R115	1-216-295-00	SHORT CHIP	0	R386	1-216-834-11	METAL CHIP	12K 5% 1/10W
R118	1-216-864-11	SHORT CHIP	0	R387	1-216-817-11	METAL CHIP	470 5% 1/10W
R127	1-216-864-11	SHORT CHIP	0	R388	1-216-817-11	METAL CHIP	470 5% 1/10W
R129	1-216-864-11	SHORT CHIP	0	R393	1-216-841-11	METAL CHIP	47K 5% 1/10W
				R394	1-216-823-11	METAL CHIP	1.5K 5% 1/10W
				R405	1-216-864-11	SHORT CHIP	0
				R501	1-216-845-11	METAL CHIP	100K 5% 1/10W

XNV-660BT/L66BT

AUDIO

Ref. No.	Part No.	Description			Remark	Ref. No.	Part No.	Description			Remark
R502	1-216-821-11	METAL CHIP	1K	5%	1/10W	R565	1-216-809-11	METAL CHIP	100	5%	1/10W
R506	1-216-849-11	METAL CHIP	220K	5%	1/10W	R568	1-216-849-11	METAL CHIP	220K	5%	1/10W
R507	1-216-845-11	METAL CHIP	100K	5%	1/10W	R573	1-216-864-11	SHORT CHIP	0		
R508	1-216-864-11	SHORT CHIP	0			R574	1-216-864-11	SHORT CHIP	0		
R510	1-216-864-11	SHORT CHIP	0			R575	1-216-864-11	SHORT CHIP	0		
R512	1-216-864-11	SHORT CHIP	0	(EXCEPT US, CND)		R576	1-216-833-11	METAL CHIP	10K	5%	1/10W
R513	1-216-845-11	METAL CHIP	100K	5%	1/10W (US, CND)	R580	1-216-841-11	METAL CHIP	47K	5%	1/10W
R514	1-216-864-11	SHORT CHIP	0			R581	1-216-845-11	METAL CHIP	100K	5%	1/10W
R515	1-216-864-11	SHORT CHIP	0			R584	1-216-864-11	SHORT CHIP	0		
R516	1-216-845-11	METAL CHIP	100K	5%	1/10W	R585	1-216-845-11	METAL CHIP	100K	5%	1/10W
R517	1-216-845-11	METAL CHIP	100K	5%	1/10W	R587	1-216-864-11	SHORT CHIP	0		
R518	1-216-864-11	SHORT CHIP	0			R589	1-216-864-11	SHORT CHIP	0		
R519	1-216-845-11	METAL CHIP	100K	5%	1/10W	R590	1-216-864-11	SHORT CHIP	0		
R520	1-216-845-11	METAL CHIP	100K	5%	1/10W	R594	1-216-845-11	METAL CHIP	100K	5%	1/10W (660BT)
R521	1-216-821-11	METAL CHIP	1K	5%	1/10W	R595	1-216-864-11	SHORT CHIP	0	(L66BT)	
R522	1-216-845-11	METAL CHIP	100K	5%	1/10W	R596	1-216-845-11	METAL CHIP	100K	5%	1/10W
R523	1-216-845-11	METAL CHIP	100K	5%	1/10W	R601	1-216-864-11	SHORT CHIP	0		
R524	1-216-821-11	METAL CHIP	1K	5%	1/10W	R603	1-216-864-11	SHORT CHIP	0		
R525	1-216-845-11	METAL CHIP	100K	5%	1/10W	R604	1-216-820-11	METAL CHIP	820	5%	1/10W
R526	1-216-845-11	METAL CHIP	100K	5%	1/10W	R606	1-216-295-00	SHORT CHIP	0		
R527	1-216-841-11	METAL CHIP	47K	5%	1/10W	R608	1-216-820-11	METAL CHIP	820	5%	1/10W
R528	1-216-809-11	METAL CHIP	100	5%	1/10W	R609	1-216-817-11	METAL CHIP	470	5%	1/10W
R529	1-218-871-11	METAL CHIP	10K	0.5%	1/10W	R610	1-216-820-11	METAL CHIP	820	5%	1/10W
R530	1-216-809-11	METAL CHIP	100	5%	1/10W	R611	1-216-821-11	METAL CHIP	1K	5%	1/10W
R531	1-218-871-11	METAL CHIP	10K	0.5%	1/10W	R612	1-216-841-11	METAL CHIP	47K	5%	1/10W
R532	1-216-809-11	METAL CHIP	100	5%	1/10W	R613	1-245-816-11	METAL CHIP	2.2K	0.5%	1/10W
R533	1-218-871-11	METAL CHIP	10K	0.5%	1/10W	R614	1-245-806-11	METAL CHIP	820	0.5%	1/10W
R534	1-216-845-11	METAL CHIP	100K	5%	1/10W	R615	1-216-827-11	METAL CHIP	3.3K	5%	1/10W
R535	1-216-821-11	METAL CHIP	1K	5%	1/10W	R616	1-245-816-11	METAL CHIP	2.2K	0.5%	1/10W
R536	1-216-833-11	METAL CHIP	10K	5%	1/10W	R617	1-216-864-11	SHORT CHIP	0	(US, CND)	
R537	1-216-821-11	METAL CHIP	1K	5%	1/10W	R618	1-216-809-11	METAL CHIP	100	5%	1/10W
R538	1-216-833-11	METAL CHIP	10K	5%	1/10W	R619	1-216-809-11	METAL CHIP	100	5%	1/10W
R540	1-216-833-11	METAL CHIP	10K	5%	1/10W	R620	1-216-864-11	SHORT CHIP	0	(US, CND)	
R541	1-216-864-11	SHORT CHIP	0			R621	1-216-836-11	METAL CHIP	18K	5%	1/10W
R542	1-216-845-11	METAL CHIP	100K	5%	1/10W	R622	1-216-809-11	METAL CHIP	100	5%	1/10W
R543	1-216-809-11	METAL CHIP	100	5%	1/10W	R624	1-216-821-11	METAL CHIP	1K	5%	1/10W (US, CND)
R544	1-216-821-11	METAL CHIP	1K	5%	1/10W (US, CND)	R625	1-216-821-11	METAL CHIP	1K	5%	1/10W (US, CND)
R545	1-216-809-11	METAL CHIP	100	5%	1/10W	R626	1-216-296-11	SHORT CHIP	0	(US, CND)	
R546	1-216-845-11	METAL CHIP	100K	5%	1/10W	R627	1-216-809-11	METAL CHIP	100	5%	1/10W (US, CND)
R547	1-216-809-11	METAL CHIP	100	5%	1/10W	R628	1-216-809-11	METAL CHIP	100	5%	1/10W (US, CND)
R548	1-216-827-11	METAL CHIP	3.3K	5%	1/10W	R629	1-216-809-11	METAL CHIP	100	5%	1/10W (US, CND)
R549	1-216-845-11	METAL CHIP	100K	5%	1/10W (US, CND)	R630	1-216-821-11	METAL CHIP	1K	5%	1/10W (EXCEPT US, CND)
R550	1-216-827-11	METAL CHIP	3.3K	5%	1/10W	R630	1-216-835-11	METAL CHIP	15K	5%	1/10W (US, CND)
R551	1-216-821-11	METAL CHIP	1K	5%	1/10W (US, CND)	R631	1-216-821-11	METAL CHIP	1K	5%	1/10W
R552	1-216-821-11	METAL CHIP	1K	5%	1/10W (US, CND)	R632	1-216-851-11	METAL CHIP	330K	5%	1/10W (US, CND)
R553	1-216-845-11	METAL CHIP	100K	5%	1/10W	R633	1-216-851-11	METAL CHIP	330K	5%	1/10W (US, CND)
R554	1-216-864-11	SHORT CHIP	0			R635	1-216-849-11	METAL CHIP	220K	5%	1/10W (EXCEPT US, CND)
R555	1-216-864-11	SHORT CHIP	0			R637	1-216-827-11	METAL CHIP	3.3K	5%	1/10W
R556	1-216-845-11	METAL CHIP	100K	5%	1/10W	R638	1-216-864-11	SHORT CHIP	0		
R557	1-216-864-11	SHORT CHIP	0		(EXCEPT US, CND)	R639	1-249-413-11	CARBON	470	5%	1/4W
R558	1-216-845-11	METAL CHIP	100K	5%	1/10W (EXCEPT US, CND)	R640	1-216-295-00	SHORT CHIP	0		
R559	1-216-845-11	METAL CHIP	100K	5%	1/10W (EXCEPT US, CND)						
R561	1-219-570-11	METAL CHIP	10M	5%	1/10W						
R563	1-216-845-11	METAL CHIP	100K	5%	1/10W						

Ref. No.	Part No.	Description	Remark	Ref. No.	Part No.	Description	Remark
R651	1-216-864-11	SHORT CHIP	0	R864	1-216-833-11	METAL CHIP	10K 5% 1/10W
R652	1-216-864-11	SHORT CHIP	0	R868	1-216-073-00	METAL CHIP	10K 5% 1/10W
R653	1-216-864-11	SHORT CHIP	0	R869	1-216-073-00	METAL CHIP	10K 5% 1/10W
R654	1-216-864-11	SHORT CHIP	0	R871	1-216-073-00	METAL CHIP	10K 5% 1/10W
R656	1-216-864-11	SHORT CHIP	0	R872	1-216-073-00	METAL CHIP	10K 5% 1/10W
R657	1-216-864-11	SHORT CHIP	0	R873	1-216-837-11	METAL CHIP	22K 5% 1/10W
R658	1-216-864-11	SHORT CHIP	0	R874	1-216-830-11	METAL CHIP	5.6K 5% 1/10W
R703	1-216-864-11	SHORT CHIP	0	R903	1-216-864-11	SHORT CHIP	0
R706	1-216-825-11	METAL CHIP	2.2K 5% 1/10W	R905	1-216-864-11	SHORT CHIP	0
R709	1-216-839-11	METAL CHIP	33K 5% 1/10W	R908	1-216-864-11	SHORT CHIP	0
R710	1-216-837-11	METAL CHIP	22K 5% 1/10W	R909	1-216-864-11	SHORT CHIP	0
R711	1-216-839-11	METAL CHIP	33K 5% 1/10W	R912	1-216-864-11	SHORT CHIP	0
R712	1-216-837-11	METAL CHIP	22K 5% 1/10W	R915	1-216-825-11	METAL CHIP	2.2K 5% 1/10W
R717	1-216-837-11	METAL CHIP	22K 5% 1/10W	R916	1-216-821-11	METAL CHIP	1K 5% 1/10W
R718	1-216-839-11	METAL CHIP	33K 5% 1/10W	R925	1-216-864-11	SHORT CHIP	0
R719	1-216-839-11	METAL CHIP	33K 5% 1/10W			< THERMISTOR >	
R720	1-216-837-11	METAL CHIP	22K 5% 1/10W	TH601	1-803-350-21	THERMISTOR, POSITIVE (US, CND)	
R723	1-216-833-11	METAL CHIP	10K 5% 1/10W			< VARISTOR >	
R724	1-216-825-11	METAL CHIP	2.2K 5% 1/10W	VDR301	1-804-988-21	VARISTOR, CHIP (1608)	
R725	1-216-864-11	SHORT CHIP	0	VDR302	1-804-988-21	VARISTOR, CHIP (1608)	
R726	1-216-815-11	METAL CHIP	330 5% 1/10W	VDR303	1-804-988-21	VARISTOR, CHIP (1608)	
R801	1-216-845-11	METAL CHIP	100K 5% 1/10W	VDR305	1-804-988-21	VARISTOR, CHIP (1608)	
R802	1-216-833-11	METAL CHIP	10K 5% 1/10W	VDR306	1-804-988-21	VARISTOR, CHIP (1608)	
R803	1-216-073-00	METAL CHIP	10K 5% 1/10W	VDR307	1-804-988-21	VARISTOR, CHIP (1608)	
R804	1-216-073-00	METAL CHIP	10K 5% 1/10W	VDR308	1-804-988-21	VARISTOR, CHIP (1608)	
R805	1-216-073-00	METAL CHIP	10K 5% 1/10W	VDR309	1-804-988-21	VARISTOR, CHIP (1608)	
R806	1-216-821-11	METAL CHIP	1K 5% 1/10W	VDR651	1-802-995-21	VARISTOR, CHIP	
R807	1-216-841-11	METAL CHIP	47K 5% 1/10W	VDR652	1-802-995-21	VARISTOR, CHIP	
R808	1-216-073-00	METAL CHIP	10K 5% 1/10W			< SURGE ABSORBER >	
R809	1-216-073-00	METAL CHIP	10K 5% 1/10W	VR1	1-805-043-11	ABSORBER, CHIP SURGE	
R810	1-216-821-11	METAL CHIP	1K 5% 1/10W			< VIBRATOR >	
R811	1-216-295-00	SHORT CHIP	0	X1	1-814-302-11	QUARTZ CRYSTAL UNIT (4MHz)	
R812	1-216-065-00	METAL CHIP	4.7K 5% 1/10W	X501	1-795-059-21	VIBRATOR, CERAMIC (6MHz)	
R813	1-216-841-11	METAL CHIP	47K 5% 1/10W	X502	1-767-317-11	VIBRATOR, CRYSTAL (32.768kHz)	
R814	1-216-811-11	METAL CHIP	150 5% 1/10W			*****	
R815	1-216-295-00	SHORT CHIP	0	A-1785-326-A	KEY BOARD, COMPLETE		
R816	1-163-009-11	CERAMIC CHIP	0.001uF 10% 50V (L66BT)			*****	
R817	1-216-841-11	METAL CHIP	47K 5% 1/10W	1-834-678-11	LEAD WIRE WITH CONNECTOR		
R818	1-216-829-11	METAL CHIP	4.7K 5% 1/10W	1-837-118-21	CABLE, FLEXIBLE FLAT (10 CORE)		
R819	1-216-841-11	METAL CHIP	47K 5% 1/10W			< ANTENNA >	
R820	1-216-837-11	METAL CHIP	22K 5% 1/10W	ANT501	1-754-678-11	ANTENNA OTHERS	
R822	1-216-864-11	SHORT CHIP	0			< CAPACITOR >	
R823	1-216-801-11	METAL CHIP	22 5% 1/10W	C1501	1-107-826-11	CERAMIC CHIP	0.1uF 10% 16V
R824	1-216-033-00	METAL CHIP	220 5% 1/10W (660BT)	C1502	1-162-927-11	CERAMIC CHIP	100PF 5% 50V
R824	1-216-065-00	METAL CHIP	4.7K 5% 1/10W (L66BT)	C1503	1-162-927-11	CERAMIC CHIP	100PF 5% 50V
R825	1-216-033-00	METAL CHIP	220 5% 1/10W (660BT)			< CONNECTOR >	
R825	1-216-295-00	SHORT CHIP	0 (L66BT)	CN1501	1-766-646-61	CONNECTOR, FFC/FPC 10P	
R826	1-216-033-00	METAL CHIP	220 5% 1/10W (660BT)	CN1502	1-821-559-11	CONNECTOR, COAXIAL (SMT TYPE)	
R826	1-216-295-00	SHORT CHIP	0 (L66BT)			< IC >	
R827	1-216-033-00	METAL CHIP	220 5% 1/10W (660BT)	IC1501	6-600-764-01	IC PNA4813M01S0	
R827	1-216-065-00	METAL CHIP	4.7K 5% 1/10W (L66BT)				
R853	1-216-837-11	METAL CHIP	22K 5% 1/10W				
R854	1-216-837-11	METAL CHIP	22K 5% 1/10W				
R862	1-216-833-11	METAL CHIP	10K 5% 1/10W				

XNV-660BT/L66BT

KEY LCD

Ref. No.	Part No.	Description	Remark	Ref. No.	Part No.	Description	Remark
		< COIL >					
L1501	1-400-118-21	INDUCTOR 4.3nH		C1214	1-114-411-21	CERAMIC CHIP 0.33uF 10%	6.3V
L1502	1-400-121-21	INDUCTOR 6.2nH		C1251	1-165-989-11	CERAMIC CHIP 10uF 10%	6.3V
L1503	1-400-119-21	INDUCTOR 4.7nH		C1252	1-162-964-11	CERAMIC CHIP 0.001uF 10%	50V
		< LED >		C1253	1-162-964-11	CERAMIC CHIP 0.001uF 10%	50V
LED501	6-502-395-01	LED SL-194S-WS-SD-T (SOURCE/OFF)		C1303	1-107-826-11	CERAMIC CHIP 0.1uF 10%	16V
LED502	6-502-395-01	LED SL-194S-WS-SD-T (TOP)		C1304	1-107-826-11	CERAMIC CHIP 0.1uF 10%	16V
LED503	6-502-395-01	LED SL-194S-WS-SD-T (ILLUMINATION)		C1325	1-100-672-11	CERAMIC CHIP 10uF 20%	16V
LED504	6-502-395-01	LED SL-194S-WS-SD-T (ILLUMINATION)		C1326	1-100-672-11	CERAMIC CHIP 10uF 20%	16V
LED505	6-502-395-01	LED SL-194S-WS-SD-T (▲)		C1327	1-135-960-91	CERAMIC CHIP 10uF 10%	25V
LED506	6-501-547-02	LED CL-197HB1E-D-T (Ⓢ)		C1328	1-107-826-11	CERAMIC CHIP 0.1uF 10%	16V
		< RESISTOR >		C1329	1-100-352-11	CERAMIC CHIP 1uF 20%	16V
R1501	1-216-809-11	METAL CHIP 100 5%	1/10W	C1330	1-127-760-11	CERAMIC CHIP 4.7uF 10%	6.3V
R1502	1-216-864-11	SHORT CHIP 0		C1331	1-100-567-81	CERAMIC CHIP 0.01uF 10%	25V
R1503	1-216-820-11	METAL CHIP 820 5%	1/10W	C1332	1-100-352-11	CERAMIC CHIP 1uF 20%	16V
R1504	1-216-821-11	METAL CHIP 1K 5%	1/10W	C1333	1-165-989-11	CERAMIC CHIP 10uF 10%	6.3V
R1511	1-216-827-11	METAL CHIP 3.3K 5%	1/10W	C1334	1-100-567-81	CERAMIC CHIP 0.01uF 10%	25V
R1512	1-216-827-11	METAL CHIP 3.3K 5%	1/10W	C1335	1-107-826-11	CERAMIC CHIP 0.1uF 10%	16V
R1513	1-216-827-11	METAL CHIP 3.3K 5%	1/10W	C1336	1-125-777-11	CERAMIC CHIP 0.1uF 10%	10V
R1514	1-216-827-11	METAL CHIP 3.3K 5%	1/10W	C1337	1-125-777-11	CERAMIC CHIP 0.1uF 10%	10V
R1515	1-216-832-11	METAL CHIP 8.2K 5%	1/10W	C1338	1-125-777-11	CERAMIC CHIP 0.1uF 10%	10V
R1516	1-216-832-11	METAL CHIP 8.2K 5%	1/10W	C1339	1-125-777-11	CERAMIC CHIP 0.1uF 10%	10V
R1517	1-216-833-11	METAL CHIP 10K 5%	1/10W	C1340	1-100-611-91	CERAMIC CHIP 22uF 20%	6.3V
R1519	1-216-864-11	SHORT CHIP 0		C1341	1-125-777-11	CERAMIC CHIP 0.1uF 10%	10V
R1520	1-216-864-11	SHORT CHIP 0		C1346	1-100-611-91	CERAMIC CHIP 22uF 20%	6.3V
R1521	1-216-864-11	SHORT CHIP 0		C1351	1-100-387-21	ELECT CHIP 39uF 20%	16V
		< SWITCH/ROTARY ENCODER >		C1352	1-107-826-11	CERAMIC CHIP 0.1uF 10%	16V
S1501	1-786-653-21	SWITCH, TACTILE (RESET)		C1353	1-100-966-91	CERAMIC CHIP 10uF 20%	10V
S1502	1-786-653-21	SWITCH, TACTILE (SOURCE/OFF)		C1356	1-100-966-91	CERAMIC CHIP 10uF 20%	10V
S1503	1-798-284-11	TACTILE SWITCH (▲)		C1357	1-100-966-91	CERAMIC CHIP 10uF 20%	10V
S1504	1-786-653-21	SWITCH, TACTILE (TOP)		C1371	1-107-826-11	CERAMIC CHIP 0.1uF 10%	16V
S1507	1-418-921-11	ENCODER, ROTARY (VOLUME)		C1401	1-100-672-11	CERAMIC CHIP 10uF 20%	16V

A-1785-332-A		LCD BOARD, COMPLETE		C1402	1-135-960-91	CERAMIC CHIP 10uF 10%	25V
		*****		C1403	1-127-760-11	CERAMIC CHIP 4.7uF 10%	6.3V
		< CAPACITOR >		C1405	1-165-989-11	CERAMIC CHIP 10uF 10%	6.3V
C1103	1-125-777-11	CERAMIC CHIP 0.1uF 10%	10V	C1406	1-165-989-11	CERAMIC CHIP 10uF 10%	6.3V
C1104	1-125-777-11	CERAMIC CHIP 0.1uF 10%	10V	C1407	1-165-989-11	CERAMIC CHIP 10uF 10%	6.3V
C1105	1-125-777-11	CERAMIC CHIP 0.1uF 10%	10V	C1408	1-165-989-11	CERAMIC CHIP 10uF 10%	6.3V
C1106	1-112-717-91	CERAMIC CHIP 1uF 10%	6.3V	C1481	1-117-681-11	ELECT CHIP 100uF 20%	16V
C1107	1-125-777-11	CERAMIC CHIP 0.1uF 10%	10V	C1482	1-100-966-91	CERAMIC CHIP 10uF 20%	10V
C1108	1-125-777-11	CERAMIC CHIP 0.1uF 10%	10V	C1483	1-165-884-11	CERAMIC CHIP 2.2uF 10%	6.3V
C1109	1-125-777-11	CERAMIC CHIP 0.1uF 10%	10V	C1484	1-100-352-11	CERAMIC CHIP 1uF 20%	16V
C1201	1-112-717-91	CERAMIC CHIP 1uF 10%	6.3V	C1486	1-162-927-11	CERAMIC CHIP 100PF 5%	50V
C1202	1-125-777-11	CERAMIC CHIP 0.1uF 10%	10V	C1487	1-112-717-91	CERAMIC CHIP 1uF 10%	6.3V
C1203	1-119-923-11	CERAMIC CHIP 0.047uF 10%	10V	C1491	1-114-817-11	CERAMIC CHIP 2.2uF 10%	50V
C1204	1-119-923-11	CERAMIC CHIP 0.047uF 10%	10V	C1492	1-114-817-11	CERAMIC CHIP 2.2uF 10%	50V
C1205	1-119-923-11	CERAMIC CHIP 0.047uF 10%	10V			< CONNECTOR >	
C1206	1-119-923-11	CERAMIC CHIP 0.047uF 10%	10V	CN1101	1-785-900-21	CONNECTOR 5P	
C1207	1-125-777-11	CERAMIC CHIP 0.1uF 10%	10V	CN1103	1-785-125-21	CONNECTOR 6P	
C1208	1-125-777-11	CERAMIC CHIP 0.1uF 10%	10V	CN1202	1-821-559-11	CONNECTOR, COAXIAL (SMT TYPE)	
C1209	1-165-884-11	CERAMIC CHIP 2.2uF 10%	6.3V	* CN1301	1-818-817-61	FFC/FPC CONNECTOR (ZIF) 40P	
C1210	1-165-884-11	CERAMIC CHIP 2.2uF 10%	6.3V	* CN1302	1-818-817-61	FFC/FPC CONNECTOR (ZIF) 40P	
C1211	1-164-862-11	CERAMIC CHIP 33PF 5%	50V	CN1401	1-820-644-31	CONNECTOR, FFC/FPC (ZIF) 60P	
C1212	1-112-717-91	CERAMIC CHIP 1uF 10%	6.3V	CN1421	1-822-725-11	CONNECTOR, FFC/FPC 4P	
C1213	1-125-777-11	CERAMIC CHIP 0.1uF 10%	10V	CN1431	1-766-646-61	CONNECTOR, FFC/FPC 10P	
		< DIODE >		CN1491	1-822-904-11	CONNECTOR, FFC/FPC (ZIF)	
D1101	6-502-131-01	DIODE LRB751V-40T1G				< DIODE >	
D1321	8-719-081-34	DIODE RB160M-30TR		D1101	6-502-131-01	DIODE LRB751V-40T1G	
D1322	8-719-081-34	DIODE RB160M-30TR		D1321	8-719-081-34	DIODE RB160M-30TR	
D1322	8-719-081-34	DIODE RB160M-30TR		D1322	8-719-081-34	DIODE RB160M-30TR	

Note: Exchanged old complete LCD board and old IC1102 are destroys with the hammer, and throw away.

Ref. No.	Part No.	Description	Remark	Ref. No.	Part No.	Description	Quantity	Unit	Material	Value	Power	Temp	Notes
D1351	6-501-817-01	DIODE MA2J1110GLS0		Q1491	6-551-131-01	FET			2SK3614-TD-E				
D1371	6-501-817-01	DIODE MA2J1110GLS0				< RESISTOR >							
D1372	6-501-817-01	DIODE MA2J1110GLS0		R1101	1-218-941-11	METAL CHIP	100	5%	1/1				
D1421	6-501-743-01	DIODE MAZ8068GMLS0		R1102	1-218-941-11	METAL CHIP	100	5%	1/1				
D1422	6-501-743-01	DIODE MAZ8068GMLS0		R1103	1-218-977-11	METAL CHIP	100K	5%	1/1				
D1423	6-501-743-01	DIODE MAZ8068GMLS0		R1104	1-218-977-11	METAL CHIP	100K	5%	1/1				
D1424	6-501-743-01	DIODE MAZ8068GMLS0		R1106	1-218-990-11	SHORT CHIP	0						
D1491	6-501-123-01	DIODE RB160M-60TR		R1107	1-218-977-11	METAL CHIP	100K	5%	1/1				
		< FERRITE BEAD >		R1108	1-218-977-11	METAL CHIP	100K	5%	1/1				
FB1302	1-500-329-21	INDUCTOR, FERRITE BEAD		R1109	1-218-977-11	METAL CHIP	100K	5%	1/1				
		< IC/Bluetooth MODULE >		R1110	1-218-977-11	METAL CHIP	100K	5%	1/1				
		< IC/Bluetooth MODULE >		R1111	1-218-977-11	METAL CHIP	100K	5%	1/1				
IC1101	6-715-375-01	IC MB90F882PMC-GE1-413A (for SERVICE)		R1112	1-218-977-11	METAL CHIP	100K	5%	1/1				
IC1102	6-716-181-01	IC M24512-WDW6TP/K		R1113	1-218-941-11	METAL CHIP	100	5%	1/1				
IC1103	6-709-458-01	IC XC61CN2802NR		R1114	1-218-941-11	METAL CHIP	100	5%	1/1				
IC1201	(Not supplied)	Bluetooth MODULE (CXN1600-2CCL-AA)		R1115	1-218-977-11	METAL CHIP	100K	5%	1/1				
IC1301	6-712-017-01	IC TC74VCX16827 (EL, F)		R1116	1-218-977-11	METAL CHIP	100K	5%	1/1				
* IC1302	6-709-937-01	IC TC7SA34FU (T5RSONYF)		R1117	1-218-941-11	METAL CHIP	100	5%	1/1				
IC1323	6-711-169-01	IC MM3203BFBE		R1118	1-218-977-11	METAL CHIP	100K	5%	1/1				
IC1324	6-705-337-01	IC TK11150CSCL-G		R1119	1-218-941-11	METAL CHIP	100	5%	1/1				
IC1325	6-702-302-01	IC TK11133CSCL-G		R1120	1-218-941-11	METAL CHIP	100	5%	1/1				
IC1351	8-759-710-97	IC NJM4568M-D		R1121	1-218-977-11	METAL CHIP	100K	5%	1/1				
IC1371	6-707-884-01	IC TC74VHCT04AFT (EKJ)		R1122	1-218-941-11	METAL CHIP	100	5%	1/1				
IC1481	6-714-620-01	IC OZ9990IRN-A2-0-TR		R1123	1-218-957-11	METAL CHIP	2.2K	5%	1/1				
		< COIL >		R1124	1-218-941-11	METAL CHIP	100	5%	1/1				
L1321	1-400-787-21	INDUCTOR 47uH		R1125	1-218-941-11	METAL CHIP	100	5%	1/1				
L1322	1-400-787-21	INDUCTOR 47uH		R1126	1-218-957-11	METAL CHIP	2.2K	5%	1/1				
L1330	1-400-144-21	INDUCTOR 22uH		R1127	1-218-977-11	METAL CHIP	100K	5%	1/1				
L1351	1-400-675-11	INDUCTOR 10uH		R1128	1-218-941-11	METAL CHIP	100	5%	1/1				
L1401	1-400-675-11	INDUCTOR 10uH		R1129	1-218-953-11	METAL CHIP	1K	5%	1/1				
L1402	1-400-675-11	INDUCTOR 10uH		R1130	1-218-941-11	METAL CHIP	100	5%	1/1				
L1403	1-400-675-11	INDUCTOR 10uH		R1131	1-218-941-11	METAL CHIP	100	5%	1/1				
L1404	1-400-675-11	INDUCTOR 10uH		R1132	1-218-941-11	METAL CHIP	100	5%	1/1				
L1481	1-424-979-21	COIL, CHOKE (SMD) 10uH		R1133	1-218-941-11	METAL CHIP	100	5%	1/1				
L1491	1-424-980-21	COIL, CHOKE (SMD) 22uH		R1134	1-218-977-11	METAL CHIP	100K	5%	1/1				
		< LED >		R1135	1-218-977-11	METAL CHIP	100K	5%	1/1				
LED507	6-502-395-01	LED SL-194S-WS-SD-T(DISC SLOT INDICATOR)		R1136	1-218-941-11	METAL CHIP	100	5%	1/1				
		< TRANSISTOR >		R1137	1-218-977-11	METAL CHIP	100K	5%	1/1				
Q1101	8-729-038-30	TRANSISTOR RT1P141M-TP-1		R1138	1-218-941-11	METAL CHIP	100	5%	1/1				
Q1102	8-729-038-37	TRANSISTOR RT1N141M-TP-1		R1139	1-218-941-11	METAL CHIP	100	5%	1/1				
Q1201	8-729-038-37	TRANSISTOR RT1N141M-TP-1		R1140	1-218-977-11	METAL CHIP	100K	5%	1/1				
Q1202	6-550-363-01	TRANSISTOR 2SB1690KT146		R1141	1-218-977-11	METAL CHIP	100K	5%	1/1				
Q1203	8-729-620-13	TRANSISTOR 2SC4154TP-1EF		R1142	1-218-977-11	METAL CHIP	100K	5%	1/1				
Q1204	8-729-038-30	TRANSISTOR RT1P141M-TP-1		R1143	1-218-977-11	METAL CHIP	100K	5%	1/1				
Q1303	6-551-699-01	TRANSISTOR ISA1602AM1TP-1EF		R1201	1-218-953-11	METAL CHIP	1K	5%	1/1				
Q1304	8-729-038-37	TRANSISTOR RT1N141M-TP-1		R1202	1-216-823-11	METAL CHIP	1.5K	5%	1/1				
Q1305	6-551-699-01	TRANSISTOR ISA1602AM1TP-1EF		R1203	1-218-953-11	METAL CHIP	1K	5%	1/1				
Q1306	8-729-038-37	TRANSISTOR RT1N141M-TP-1		R1204	1-218-977-11	METAL CHIP	100K	5%	1/1				
Q1351	8-729-620-13	TRANSISTOR 2SC4154TP-1EF		R1205	1-218-977-11	METAL CHIP	100K	5%	1/1				
Q1352	8-729-620-13	TRANSISTOR 2SC4154TP-1EF		R1206	1-218-934-11	METAL CHIP	27	5%	1/1				
Q1353	6-551-699-01	TRANSISTOR ISA1602AM1TP-1EF		R1207	1-218-934-11	METAL CHIP	27	5%	1/1				
Q1354	8-729-901-97	TRANSISTOR 2SA1036K-Q		R1208	1-218-941-11	METAL CHIP	100	5%	1/1				
Q1355	8-729-901-87	TRANSISTOR 2SC2411K-CQ		R1209	1-218-941-11	METAL CHIP	100	5%	1/1				
Q1371	8-729-620-13	TRANSISTOR 2SC4154TP-1EF		R1210	1-218-941-11	METAL CHIP	100	5%	1/1				
Q1372	8-729-620-13	TRANSISTOR 2SC4154TP-1EF		R1211	1-218-941-11	METAL CHIP	100	5%	1/1				
				R1212	1-218-974-11	METAL CHIP	56K	5%	1/1				
				R1213	1-218-974-11	METAL CHIP	56K	5%	1/1				
				R1214	1-218-974-11	METAL CHIP	56K	5%	1/1				
				R1215	1-218-974-11	METAL CHIP	56K	5%	1/1				

Note: IC1201 (Bluetooth MODULE) cannot exchange with single. When this part is damaged, exchange the entire mounted board.

XNV-660BT/L66BT

LCD NAVI-IF SENSOR

Ref. No.	Part No.	Description			Remark	Ref. No.	Part No.	Description			Remark	
R1216	1-218-965-11	METAL CHIP	10K	5%	1/16W	R1383	1-218-673-11	METAL CHIP	160	0.5%	1/10W	
R1217	1-218-965-11	METAL CHIP	10K	5%	1/16W	R1384	1-216-801-11	METAL CHIP	22	5%	1/10W	
R1218	1-218-961-11	METAL CHIP	4.7K	5%	1/16W	R1386	1-216-797-11	METAL CHIP	10	5%	1/10W	
R1219	1-218-965-11	METAL CHIP	10K	5%	1/16W	R1387	1-216-833-11	METAL CHIP	10K	5%	1/10W	
R1220	1-218-961-11	METAL CHIP	4.7K	5%	1/16W	R1388	1-216-833-11	METAL CHIP	10K	5%	1/10W	
R1221	1-218-941-11	METAL CHIP	100	5%	1/16W	R1389	1-216-833-11	METAL CHIP	10K	5%	1/10W	
R1222	1-218-941-11	METAL CHIP	100	5%	1/16W	R1390	1-216-833-11	METAL CHIP	10K	5%	1/10W	
R1223	1-218-941-11	METAL CHIP	100	5%	1/16W	R1391	1-216-833-11	METAL CHIP	10K	5%	1/10W	
R1224	1-218-955-11	METAL CHIP	1.5K	5%	1/16W	R1392	1-216-833-11	METAL CHIP	10K	5%	1/10W	
R1251	1-216-295-00	SHORT CHIP	0			R1401	1-216-829-11	METAL CHIP	4.7K	5%	1/10W	
R1301	1-218-990-11	SHORT CHIP	0			R1402	1-216-864-11	SHORT CHIP	0			
R1302	1-216-864-11	SHORT CHIP	0			R1403	1-216-833-11	METAL CHIP	10K	5%	1/10W	
R1304	1-218-990-11	SHORT CHIP	0			R1404	1-216-829-11	METAL CHIP	4.7K	5%	1/10W	
R1305	1-216-805-11	METAL CHIP	47	5%	1/10W	R1405	1-216-829-11	METAL CHIP	4.7K	5%	1/10W	
R1306	1-218-990-11	SHORT CHIP	0			R1421	1-216-797-11	METAL CHIP	10	5%	1/10W	
R1307	1-216-864-11	SHORT CHIP	0			R1422	1-216-797-11	METAL CHIP	10	5%	1/10W	
R1308	1-216-837-11	METAL CHIP	22K	5%	1/10W	R1423	1-216-797-11	METAL CHIP	10	5%	1/10W	
R1309	1-216-841-11	METAL CHIP	47K	5%	1/10W	R1424	1-216-797-11	METAL CHIP	10	5%	1/10W	
R1310	1-216-864-11	SHORT CHIP	0			R1432	1-216-827-11	METAL CHIP	3.3K	5%	1/10W	
R1311	1-216-837-11	METAL CHIP	22K	5%	1/10W	R1433	1-216-827-11	METAL CHIP	3.3K	5%	1/10W	
R1312	1-216-841-11	METAL CHIP	47K	5%	1/10W	R1481	1-216-821-11	METAL CHIP	1K	5%	1/10W	
R1313	1-216-864-11	SHORT CHIP	0			R1482	1-216-864-11	SHORT CHIP	0			
R1321	1-216-833-11	METAL CHIP	10K	5%	1/10W	R1483	1-216-842-11	METAL CHIP	56K	5%	1/10W	
R1322	1-216-837-11	METAL CHIP	22K	5%	1/10W	R1484	1-216-809-11	METAL CHIP	100	5%	1/10W	
R1323	1-218-895-11	METAL CHIP	100K	0.5%	1/10W	R1485	1-218-892-11	METAL CHIP	75K	0.5%	1/10W	
R1324	1-218-871-11	METAL CHIP	10K	0.5%	1/10W	R1486	1-218-892-11	METAL CHIP	75K	0.5%	1/10W	
R1325	1-218-890-11	METAL CHIP	62K	0.5%	1/10W	R1487	1-216-809-11	METAL CHIP	100	5%	1/10W	
R1326	1-218-893-11	METAL CHIP	82K	0.5%	1/10W	R1488	1-216-809-11	METAL CHIP	100	5%	1/10W	
R1327	1-218-871-11	METAL CHIP	10K	0.5%	1/10W	R1489	1-216-809-11	METAL CHIP	100	5%	1/10W	
R1331	1-216-827-11	METAL CHIP	3.3K	5%	1/10W	R1490	1-216-845-11	METAL CHIP	100K	5%	1/10W	
R1351	1-216-809-11	METAL CHIP	100	5%	1/10W	R1491	1-216-864-11	SHORT CHIP	0			
R1352	1-216-845-11	METAL CHIP	100K	5%	1/10W	R1492	1-216-857-11	METAL CHIP	1M	5%	1/10W	
R1353	1-216-809-11	METAL CHIP	100	5%	1/10W	R1493	1-218-892-11	METAL CHIP	75K	0.5%	1/10W	
R1354	1-216-845-11	METAL CHIP	100K	5%	1/10W			< COMPOSITION CIRCUIT BLOCK >				
R1355	1-216-833-11	METAL CHIP	10K	5%	1/10W	* RB1301	1-234-714-11	RES, NETWORK 56 (1005X4)				
R1356	1-216-821-11	METAL CHIP	1K	5%	1/10W	* RB1302	1-234-714-11	RES, NETWORK 56 (1005X4)				
R1357	1-216-827-11	METAL CHIP	3.3K	5%	1/10W	* RB1303	1-234-714-11	RES, NETWORK 56 (1005X4)				
R1358	1-216-833-11	METAL CHIP	10K	5%	1/10W	* RB1304	1-234-714-11	RES, NETWORK 56 (1005X4)				
R1359	1-216-829-11	METAL CHIP	4.7K	5%	1/10W	* RB1305	1-234-714-11	RES, NETWORK 56 (1005X4)				
R1360	1-216-833-11	METAL CHIP	10K	5%	1/10W			< VIBRATOR >				
R1361	1-216-833-11	METAL CHIP	10K	5%	1/10W	X1101	1-781-646-21	VIBRATOR, CERAMIC (4MHz)				
R1362	1-216-809-11	METAL CHIP	100	5%	1/10W			*****				
R1363	1-216-825-11	METAL CHIP	2.2K	5%	1/10W	A-1785-328-A	NAVI-IF BOARD, COMPLETE					
R1364	1-216-825-11	METAL CHIP	2.2K	5%	1/10W			*****				
R1365	1-216-797-11	METAL CHIP	10	5%	1/10W			When NAVI-IF board is defective, exchange the entire mounted board.				
R1366	1-216-797-11	METAL CHIP	10	5%	1/10W			*****				
R1367	1-216-833-11	METAL CHIP	10K	5%	1/10W			SENSOR BOARD				
R1368	1-216-833-11	METAL CHIP	10K	5%	1/10W			*****				
R1371	1-216-797-11	METAL CHIP	10	5%	1/10W			< SWITCH >				
R1372	1-218-675-11	METAL CHIP	200	0.5%	1/10W	SW2	1-798-173-31	DETECTOR SWITCH (SELF)				
R1373	1-218-667-11	METAL CHIP	91	0.5%	1/10W	SW3	1-798-173-31	DETECTOR SWITCH (DISC IN)				
R1374	1-211-984-11	METAL CHIP	43	0.5%	1/10W			*****				
R1375	1-216-864-11	SHORT CHIP	0					*****				
R1376	1-216-803-11	METAL CHIP	33	5%	1/10W			*****				
R1377	1-216-864-11	SHORT CHIP	0					*****				
R1378	1-211-982-11	METAL CHIP	36	0.5%	1/10W			*****				
R1379	1-211-984-11	METAL CHIP	43	0.5%	1/10W			*****				
R1380	1-216-864-11	SHORT CHIP	0					*****				
R1381	1-216-807-11	METAL CHIP	68	5%	1/10W			*****				
R1382	1-218-824-11	METAL CHIP	110	0.5%	1/10W			*****				

Ref. No.	Part No.	Description	Remark	Ref. No.	Part No.	Description	Remark
	A-1732-272-A	SERVO BOARD, COMPLETE *****		C66	1-162-915-11	CERAMIC CHIP 10PF	0.5PF 50V
		< CAPACITOR >		C67	1-125-777-11	CERAMIC CHIP 0.1uF	10% 10V
				C68	1-100-567-81	CERAMIC CHIP 0.01uF	10% 25V
				C69	1-125-777-11	CERAMIC CHIP 0.1uF	10% 10V
C1	1-164-941-11	CERAMIC CHIP 0.0047uF	10% 16V	C70	1-164-936-11	CERAMIC CHIP 680PF	10% 50V
C2	1-164-937-11	CERAMIC CHIP 0.001uF	10% 50V	C71	1-125-777-11	CERAMIC CHIP 0.1uF	10% 10V
C4	1-125-777-11	CERAMIC CHIP 0.1uF	10% 10V	C72	1-164-936-11	CERAMIC CHIP 680PF	10% 50V
C5	1-125-777-11	CERAMIC CHIP 0.1uF	10% 10V	C73	1-125-777-11	CERAMIC CHIP 0.1uF	10% 10V
C7	1-125-777-11	CERAMIC CHIP 0.1uF	10% 10V	C74	1-164-936-11	CERAMIC CHIP 680PF	10% 50V
C9	1-135-856-11	TANTALUM CHIP 100uF	20% 10V	C75	1-125-777-11	CERAMIC CHIP 0.1uF	10% 10V
C10	1-164-937-11	CERAMIC CHIP 0.001uF	10% 50V	C76	1-164-936-11	CERAMIC CHIP 680PF	10% 50V
C11	1-125-777-11	CERAMIC CHIP 0.1uF	10% 10V	C77	1-164-936-11	CERAMIC CHIP 680PF	10% 50V
C12	1-135-856-11	TANTALUM CHIP 100uF	20% 10V	C78	1-125-777-11	CERAMIC CHIP 0.1uF	10% 10V
C13	1-164-939-11	CERAMIC CHIP 0.0022uF	10% 50V	C79	1-125-777-11	CERAMIC CHIP 0.1uF	10% 10V
C14	1-164-939-11	CERAMIC CHIP 0.0022uF	10% 50V	C80	1-164-936-11	CERAMIC CHIP 680PF	10% 50V
C15	1-164-937-11	CERAMIC CHIP 0.001uF	10% 50V	C81	1-125-777-11	CERAMIC CHIP 0.1uF	10% 10V
C16	1-164-940-11	CERAMIC CHIP 0.0033uF	10% 16V	C83	1-164-936-11	CERAMIC CHIP 680PF	10% 50V
C17	1-164-940-11	CERAMIC CHIP 0.0033uF	10% 16V	C84	1-125-777-11	CERAMIC CHIP 0.1uF	10% 10V
C18	1-125-777-11	CERAMIC CHIP 0.1uF	10% 10V	C85	1-164-936-11	CERAMIC CHIP 680PF	10% 50V
C19	1-164-934-11	CERAMIC CHIP 330PF	10% 50V	C86	1-165-708-11	ELECT CHIP 47uF	20% 6.3V
C20	1-164-934-11	CERAMIC CHIP 330PF	10% 50V	C87	1-125-777-11	CERAMIC CHIP 0.1uF	10% 10V
C21	1-164-937-11	CERAMIC CHIP 0.001uF	10% 50V	C88	1-125-777-11	CERAMIC CHIP 0.1uF	10% 10V
C22	1-164-937-11	CERAMIC CHIP 0.001uF	10% 50V	C92	1-164-936-11	CERAMIC CHIP 680PF	10% 50V
C23	1-164-936-11	CERAMIC CHIP 680PF	10% 50V	C93	1-125-777-11	CERAMIC CHIP 0.1uF	10% 10V
C24	1-125-777-11	CERAMIC CHIP 0.1uF	10% 10V	C94	1-164-936-11	CERAMIC CHIP 680PF	10% 50V
C25	1-164-936-11	CERAMIC CHIP 680PF	10% 50V	C95	1-125-777-11	CERAMIC CHIP 0.1uF	10% 10V
C26	1-125-777-11	CERAMIC CHIP 0.1uF	10% 10V	C96	1-162-917-11	CERAMIC CHIP 15PF	5% 50V
C30	1-125-777-11	CERAMIC CHIP 0.1uF	10% 10V	C97	1-162-917-11	CERAMIC CHIP 15PF	5% 50V
C31	1-164-936-11	CERAMIC CHIP 680PF	10% 50V	C98	1-164-937-11	CERAMIC CHIP 0.001uF	10% 50V
C32	1-125-777-11	CERAMIC CHIP 0.1uF	10% 10V	C99	1-125-777-11	CERAMIC CHIP 0.1uF	10% 10V
C34	1-125-777-11	CERAMIC CHIP 0.1uF	10% 10V	C100	1-164-936-11	CERAMIC CHIP 680PF	10% 50V
C35	1-125-777-11	CERAMIC CHIP 0.1uF	10% 10V	C101	1-125-777-11	CERAMIC CHIP 0.1uF	10% 10V
C36	1-164-936-11	CERAMIC CHIP 680PF	10% 50V	C102	1-164-936-11	CERAMIC CHIP 680PF	10% 50V
C38	1-100-567-81	CERAMIC CHIP 0.01uF	10% 25V	C103	1-125-777-11	CERAMIC CHIP 0.1uF	10% 10V
C39	1-125-777-11	CERAMIC CHIP 0.1uF	10% 10V	C104	1-164-936-11	CERAMIC CHIP 680PF	10% 50V
C40	1-137-910-11	TANTALUM CHIP 10uF	20% 16V	C105	1-125-777-11	CERAMIC CHIP 0.1uF	10% 10V
C41	1-127-760-11	CERAMIC CHIP 4.7uF	10% 6.3V	C106	1-164-936-11	CERAMIC CHIP 680PF	10% 50V
C42	1-125-777-11	CERAMIC CHIP 0.1uF	10% 10V	C107	1-137-710-91	CERAMIC CHIP 10uF	20% 6.3V
C43	1-119-923-11	CERAMIC CHIP 0.047uF	10% 10V	C108	1-100-381-11	ELECT CHIP 10uF	20% 16V
C44	1-119-923-11	CERAMIC CHIP 0.047uF	10% 10V	C109	1-125-777-11	CERAMIC CHIP 0.1uF	10% 10V
C45	1-127-772-11	CERAMIC CHIP 0.033uF	10% 10V	C110	1-125-777-11	CERAMIC CHIP 0.1uF	10% 10V
C46	1-127-772-11	CERAMIC CHIP 0.033uF	10% 10V	C111	1-125-777-11	CERAMIC CHIP 0.1uF	10% 10V
C47	1-125-777-11	CERAMIC CHIP 0.1uF	10% 10V	C112	1-100-381-11	ELECT CHIP 10uF	20% 16V
C48	1-125-777-11	CERAMIC CHIP 0.1uF	10% 10V	C113	1-125-777-11	CERAMIC CHIP 0.1uF	10% 10V
C49	1-117-681-11	ELECT CHIP 100uF	20% 16V	C114	1-100-567-81	CERAMIC CHIP 0.01uF	10% 25V
C51	1-125-777-11	CERAMIC CHIP 0.1uF	10% 10V	C115	1-100-567-81	CERAMIC CHIP 0.01uF	10% 25V
C52	1-164-936-11	CERAMIC CHIP 680PF	10% 50V	C116	1-100-567-81	CERAMIC CHIP 0.01uF	10% 25V
C53	1-125-777-11	CERAMIC CHIP 0.1uF	10% 10V	C117	1-126-601-11	ELECT CHIP 2.2uF	20% 50V
C54	1-164-936-11	CERAMIC CHIP 680PF	10% 50V	C118	1-126-601-11	ELECT CHIP 2.2uF	20% 50V
C55	1-164-936-11	CERAMIC CHIP 680PF	10% 50V	C119	1-125-777-11	CERAMIC CHIP 0.1uF	10% 10V
C56	1-125-777-11	CERAMIC CHIP 0.1uF	10% 10V	C120	1-125-777-11	CERAMIC CHIP 0.1uF	10% 10V
C57	1-125-777-11	CERAMIC CHIP 0.1uF	10% 10V	C121	1-125-777-11	CERAMIC CHIP 0.1uF	10% 10V
C58	1-164-936-11	CERAMIC CHIP 680PF	10% 50V	C122	1-124-779-00	ELECT CHIP 10uF	20% 16V
C59	1-125-777-11	CERAMIC CHIP 0.1uF	10% 10V	C123	1-124-779-00	ELECT CHIP 10uF	20% 16V
C60	1-164-936-11	CERAMIC CHIP 680PF	10% 50V	C124	1-124-779-00	ELECT CHIP 10uF	20% 16V
C61	1-164-936-11	CERAMIC CHIP 680PF	10% 50V	C125	1-125-777-11	CERAMIC CHIP 0.1uF	10% 10V
C62	1-125-777-11	CERAMIC CHIP 0.1uF	10% 10V	C126	1-125-777-11	CERAMIC CHIP 0.1uF	10% 10V
C63	1-125-777-11	CERAMIC CHIP 0.1uF	10% 10V	C127	1-164-936-11	CERAMIC CHIP 680PF	10% 50V
C64	1-164-936-11	CERAMIC CHIP 680PF	10% 50V	C128	1-164-936-11	CERAMIC CHIP 680PF	10% 50V
C65	1-162-916-11	CERAMIC CHIP 12PF	5% 50V	C129	1-125-777-11	CERAMIC CHIP 0.1uF	10% 10V

XNV-660BT/L66BT

SERVO

Ref. No.	Part No.	Description	Remark	Ref. No.	Part No.	Description	Remark
C130	1-125-777-11	CERAMIC CHIP 0.1uF 10%	10V	FB40	1-457-421-21	INDUCTOR, FERRITE BEAD (1608)	
C131	1-164-936-11	CERAMIC CHIP 680PF 10%	50V	FB41	1-457-421-21	INDUCTOR, FERRITE BEAD (1608)	
C132	1-125-777-11	CERAMIC CHIP 0.1uF 10%	10V	FB42	1-457-421-21	INDUCTOR, FERRITE BEAD (1608)	
C133	1-164-936-11	CERAMIC CHIP 680PF 10%	50V	FB43	1-457-421-21	INDUCTOR, FERRITE BEAD (1608)	
C134	1-164-936-11	CERAMIC CHIP 680PF 10%	50V	FB44	1-414-385-21	INDUCTOR, FERRITE BEAD	
C135	1-125-777-11	CERAMIC CHIP 0.1uF 10%	10V	FB45	1-414-385-21	INDUCTOR, FERRITE BEAD	
C136	1-164-936-11	CERAMIC CHIP 680PF 10%	50V	FB46	1-414-385-21	INDUCTOR, FERRITE BEAD	
C137	1-125-777-11	CERAMIC CHIP 0.1uF 10%	10V	FB47	1-414-385-21	INDUCTOR, FERRITE BEAD	
C138	1-164-936-11	CERAMIC CHIP 680PF 10%	50V	FB48	1-414-229-11	INDUCTOR, FERRITE BEAD	
C139	1-125-777-11	CERAMIC CHIP 0.1uF 10%	10V	FB49	1-457-421-21	INDUCTOR, FERRITE BEAD (1608)	
C141	1-165-708-11	ELECT CHIP 47uF 20%	6.3V	FB50	1-457-421-21	INDUCTOR, FERRITE BEAD (1608)	
C142	1-165-708-11	ELECT CHIP 47uF 20%	6.3V	FB51	1-414-229-11	INDUCTOR, FERRITE BEAD	
* C143	1-112-833-11	ELECT CHIP 68uF 20%	16V	FB52	1-457-421-21	INDUCTOR, FERRITE BEAD (1608)	
C146	1-165-708-11	ELECT CHIP 47uF 20%	6.3V			< IC >	
C147	1-125-777-11	CERAMIC CHIP 0.1uF 10%	10V	IC1	6-709-369-01	IC BH5510KV-E2	
C149	1-164-937-11	CERAMIC CHIP 0.001uF 10%	50V	IC4	(Not supplied)	IC ZR36988HQCG-A	
C175	1-164-936-11	CERAMIC CHIP 680PF 10%	50V	IC5	6-711-653-01	IC S-1206B33-U3T1G	
				IC6	6-710-867-01	IC PCM1680DBQ	
				IC7	6-710-554-01	IC PCM1808PWR	
				IC10	6-714-642-01	IC EM638165 TSA-6G	
				IC11	(Not supplied)	IC SST39VF3201B-70-4I-EKE	
				IC13	(Not supplied)	IC MFI341S2162	
						< COIL >	
				L1	1-469-407-22	INDUCTOR, FERRITE BEAD	
				L9	1-457-223-11	COMMON MODE CHOKE COIL	
				L10	1-469-407-22	INDUCTOR, FERRITE BEAD	
				L11	1-469-407-22	INDUCTOR, FERRITE BEAD	
				L22	1-481-420-21	INDUCTOR, FERRITE BEAD	
				L23	1-481-420-21	INDUCTOR, FERRITE BEAD	
						< TRANSISTOR >	
				Q4	6-551-120-01	TRANSISTOR 2SA2119K	
				Q6	6-551-120-01	TRANSISTOR 2SA2119K	
						< RESISTOR/FERRITE BEAD >	
				R3	1-242-967-11	METAL CHIP 1 5%	1/16W
				R4	1-218-935-11	METAL CHIP 33 5%	1/16W
				R5	1-218-935-11	METAL CHIP 33 5%	1/16W
				R8	1-218-954-11	METAL CHIP 1.2K 5%	1/16W
				R9	1-242-967-11	METAL CHIP 1 5%	1/16W
				R11	1-218-954-11	METAL CHIP 1.2K 5%	1/16W
				R12	1-218-968-11	METAL CHIP 18K 5%	1/16W
				R13	1-218-968-11	METAL CHIP 18K 5%	1/16W
				R14	1-218-967-11	METAL CHIP 15K 5%	1/16W
				R15	1-218-966-11	METAL CHIP 12K 5%	1/16W
				R16	1-218-966-11	METAL CHIP 12K 5%	1/16W
				R18	1-218-945-11	METAL CHIP 220 5%	1/16W
				R19	1-218-945-11	METAL CHIP 220 5%	1/16W
				R21	1-208-905-11	METAL CHIP 5.6K 0.5%	1/16W
				R22	1-208-911-11	METAL CHIP 10K 0.5%	1/16W
				R23	1-218-937-11	METAL CHIP 47 5%	1/16W
				R24	1-218-937-11	METAL CHIP 47 5%	1/16W
				R25	1-218-961-11	METAL CHIP 4.7K 5%	1/16W
				R26	1-216-789-11	METAL CHIP 2.2 5%	1/10W
				R27	1-216-789-11	METAL CHIP 2.2 5%	1/10W
				R28	1-216-789-11	METAL CHIP 2.2 5%	1/10W
				R29	1-216-789-11	METAL CHIP 2.2 5%	1/10W
				R30	1-216-789-11	METAL CHIP 2.2 5%	1/10W

Note: IC4, IC11 and IC13 cannot exchange with single. When these parts are damaged, exchange the entire mounted board.

XNV-660BT/L66BT

VISUAL

Ref. No.	Part No.	Description			Remark	Ref. No.	Part No.	Description			Remark
C1711	1-125-777-11	CERAMIC CHIP	0.1uF	10%	10V	C2003	1-125-777-11	CERAMIC CHIP	0.1uF	10%	10V
C1712	1-125-777-11	CERAMIC CHIP	0.1uF	10%	10V	C2004	1-125-777-11	CERAMIC CHIP	0.1uF	10%	10V
C1713	1-125-777-11	CERAMIC CHIP	0.1uF	10%	10V	C2005	1-117-681-11	ELECT CHIP	100uF	20%	16V
C1714	1-125-777-11	CERAMIC CHIP	0.1uF	10%	10V	C2007	1-117-681-11	ELECT CHIP	100uF	20%	16V
C1715	1-125-777-11	CERAMIC CHIP	0.1uF	10%	10V	C2008	1-125-777-11	CERAMIC CHIP	0.1uF	10%	10V
C1716	1-125-777-11	CERAMIC CHIP	0.1uF	10%	10V	C2012	1-100-567-81	CERAMIC CHIP	0.01uF	10%	25V
C1717	1-125-777-11	CERAMIC CHIP	0.1uF	10%	10V	C2015	1-100-567-81	CERAMIC CHIP	0.01uF	10%	25V
C1718	1-125-777-11	CERAMIC CHIP	0.1uF	10%	10V	C2016	1-107-826-11	CERAMIC CHIP	0.1uF	10%	16V
C1719	1-107-826-11	CERAMIC CHIP	0.1uF	10%	16V	C2017	1-100-567-81	CERAMIC CHIP	0.01uF	10%	25V
C1720	1-112-815-91	CERAMIC CHIP	10uF	20%	6.3V	C2018	1-125-777-11	CERAMIC CHIP	0.1uF	10%	10V
C1721	1-100-611-91	CERAMIC CHIP	22uF	20%	6.3V	C2020	1-125-777-11	CERAMIC CHIP	0.1uF	10%	10V
C1722	1-112-815-91	CERAMIC CHIP	10uF	20%	6.3V	C2021	1-125-777-11	CERAMIC CHIP	0.1uF	10%	10V
C1723	1-112-815-91	CERAMIC CHIP	10uF	20%	6.3V	C2201	1-162-912-11	CERAMIC CHIP	7PF	0.5PF	50V
C1724	1-112-815-91	CERAMIC CHIP	10uF	20%	6.3V	C2202	1-162-912-11	CERAMIC CHIP	7PF	0.5PF	50V
C1725	1-112-815-91	CERAMIC CHIP	10uF	20%	6.3V	C2203	1-125-777-11	CERAMIC CHIP	0.1uF	10%	10V
C1726	1-112-815-91	CERAMIC CHIP	10uF	20%	6.3V	C2204	1-100-352-11	CERAMIC CHIP	1uF	20%	16V
C1727	1-100-881-91	CERAMIC CHIP	47uF	20%	6.3V	C2205	1-125-777-11	CERAMIC CHIP	0.1uF	10%	10V
C1728	1-165-708-11	ELECT CHIP	47uF	20%	6.3V	C2206	1-100-352-11	CERAMIC CHIP	1uF	20%	16V
C1731	1-125-777-11	CERAMIC CHIP	0.1uF	10%	10V	C2207	1-125-777-11	CERAMIC CHIP	0.1uF	10%	10V
C1732	1-124-778-00	ELECT CHIP	22uF	20%	6.3V	C2208	1-100-352-11	CERAMIC CHIP	1uF	20%	16V
C1733	1-125-777-11	CERAMIC CHIP	0.1uF	10%	10V	C2209	1-100-352-11	CERAMIC CHIP	1uF	20%	16V
C1734	1-124-778-00	ELECT CHIP	22uF	20%	6.3V	C2210	1-125-777-11	CERAMIC CHIP	0.1uF	10%	10V
C1735	1-125-777-11	CERAMIC CHIP	0.1uF	10%	10V	C2211	1-100-352-11	CERAMIC CHIP	1uF	20%	16V
C1736	1-124-778-00	ELECT CHIP	22uF	20%	6.3V	C2212	1-125-777-11	CERAMIC CHIP	0.1uF	10%	10V
C1737	1-125-777-11	CERAMIC CHIP	0.1uF	10%	10V	C2213	1-100-352-11	CERAMIC CHIP	1uF	20%	16V
C1738	1-100-354-21	ELECT CHIP	220uF	20%	6.3V	C2214	1-125-777-11	CERAMIC CHIP	0.1uF	10%	10V
C1739	1-112-815-91	CERAMIC CHIP	10uF	20%	6.3V	C2215	1-125-777-11	CERAMIC CHIP	0.1uF	10%	10V
C1901	1-162-923-11	CERAMIC CHIP	47PF	5%	50V	C2216	1-100-352-11	CERAMIC CHIP	1uF	20%	16V
C1902	1-162-923-11	CERAMIC CHIP	47PF	5%	50V	C2217	1-125-777-11	CERAMIC CHIP	0.1uF	10%	10V
C1903	1-107-826-11	CERAMIC CHIP	0.1uF	10%	16V	C2218	1-100-352-11	CERAMIC CHIP	1uF	20%	16V
C1904	1-162-923-11	CERAMIC CHIP	47PF	5%	50V	C2219	1-125-777-11	CERAMIC CHIP	0.1uF	10%	10V
C1905	1-162-923-11	CERAMIC CHIP	47PF	5%	50V	C2220	1-100-352-11	CERAMIC CHIP	1uF	20%	16V
C1906	1-107-826-11	CERAMIC CHIP	0.1uF	10%	16V	C2221	1-125-777-11	CERAMIC CHIP	0.1uF	10%	10V
C1907	1-162-923-11	CERAMIC CHIP	47PF	5%	50V	C2222	1-100-352-11	CERAMIC CHIP	1uF	20%	16V
C1908	1-162-923-11	CERAMIC CHIP	47PF	5%	50V	C2223	1-125-777-11	CERAMIC CHIP	0.1uF	10%	10V
C1909	1-107-826-11	CERAMIC CHIP	0.1uF	10%	16V	C2224	1-100-352-11	CERAMIC CHIP	1uF	20%	16V
C1913	1-107-826-11	CERAMIC CHIP	0.1uF	10%	16V	C2225	1-100-352-11	CERAMIC CHIP	1uF	20%	16V
C1915	1-164-388-11	CERAMIC CHIP	270PF	5%	50V	C2226	1-125-777-11	CERAMIC CHIP	0.1uF	10%	10V
C1916	1-164-388-11	CERAMIC CHIP	270PF	5%	50V	C2227	1-107-826-11	CERAMIC CHIP	0.1uF	10%	16V
C1921	1-164-388-11	CERAMIC CHIP	270PF	5%	50V	C2228	1-100-352-11	CERAMIC CHIP	1uF	20%	16V
C1922	1-164-388-11	CERAMIC CHIP	270PF	5%	50V	C2229	1-125-777-11	CERAMIC CHIP	0.1uF	10%	10V
C1923	1-164-004-11	CERAMIC CHIP	0.1uF	10%	25V	C2230	1-100-352-11	CERAMIC CHIP	1uF	20%	16V
C1924	1-164-388-11	CERAMIC CHIP	270PF	5%	50V	C2231	1-107-826-11	CERAMIC CHIP	0.1uF	10%	16V
C1925	1-164-388-11	CERAMIC CHIP	270PF	5%	50V	C2232	1-100-352-11	CERAMIC CHIP	1uF	20%	16V
C1926	1-112-815-91	CERAMIC CHIP	10uF	20%	6.3V	C2233	1-125-777-11	CERAMIC CHIP	0.1uF	10%	10V
C1927	1-164-388-11	CERAMIC CHIP	270PF	5%	50V	C2234	1-100-352-11	CERAMIC CHIP	1uF	20%	16V
C1928	1-164-388-11	CERAMIC CHIP	270PF	5%	50V	C2235	1-100-352-11	CERAMIC CHIP	1uF	20%	16V
C1929	1-112-815-91	CERAMIC CHIP	10uF	20%	6.3V	C2236	1-125-777-11	CERAMIC CHIP	0.1uF	10%	10V
C1930	1-125-777-11	CERAMIC CHIP	0.1uF	10%	10V	C2237	1-125-777-11	CERAMIC CHIP	0.1uF	10%	10V
C1931	1-165-708-11	ELECT CHIP	47uF	20%	6.3V	C2238	1-100-352-11	CERAMIC CHIP	1uF	20%	16V
C1932	1-107-826-11	CERAMIC CHIP	0.1uF	10%	16V	C2239	1-125-777-11	CERAMIC CHIP	0.1uF	10%	10V
C1981	1-107-826-11	CERAMIC CHIP	0.1uF	10%	16V	C2240	1-100-352-11	CERAMIC CHIP	1uF	20%	16V
C1982	1-107-826-11	CERAMIC CHIP	0.1uF	10%	16V	C2241	1-125-777-11	CERAMIC CHIP	0.1uF	10%	10V
C1983	1-125-777-11	CERAMIC CHIP	0.1uF	10%	10V	C2242	1-100-352-11	CERAMIC CHIP	1uF	20%	16V
C1984	1-124-778-00	ELECT CHIP	22uF	20%	6.3V	C2243	1-125-777-11	CERAMIC CHIP	0.1uF	10%	10V
C1985	1-125-777-11	CERAMIC CHIP	0.1uF	10%	10V	C2244	1-100-352-11	CERAMIC CHIP	1uF	20%	16V
C1986	1-117-681-11	ELECT CHIP	100uF	20%	16V	C2245	1-125-777-11	CERAMIC CHIP	0.1uF	10%	10V
C1987	1-125-777-11	CERAMIC CHIP	0.1uF	10%	10V	C2246	1-100-352-11	CERAMIC CHIP	1uF	20%	16V
C1988	1-124-778-00	ELECT CHIP	22uF	20%	6.3V	C2247	1-125-777-11	CERAMIC CHIP	0.1uF	10%	10V
C1989	1-117-681-11	ELECT CHIP	100uF	20%	16V	C2248	1-100-352-11	CERAMIC CHIP	1uF	20%	16V

Ref. No.	Part No.	Description	Remark	Ref. No.	Part No.	Description	Remark
C2249	1-100-352-11	CERAMIC CHIP 1uF	20% 16V	C2501	1-100-352-11	CERAMIC CHIP 1uF	20% 16V
C2250	1-125-777-11	CERAMIC CHIP 0.1uF	10% 10V	C2502	1-162-964-11	CERAMIC CHIP 0.001uF	10% 50V
C2251	1-125-777-11	CERAMIC CHIP 0.1uF	10% 10V	C2503	1-125-777-11	CERAMIC CHIP 0.1uF	10% 10V
C2252	1-125-777-11	CERAMIC CHIP 0.1uF	10% 10V	C2504	1-125-777-11	CERAMIC CHIP 0.1uF	10% 10V
C2253	1-125-777-11	CERAMIC CHIP 0.1uF	10% 10V	C2511	1-100-352-11	CERAMIC CHIP 1uF	20% 16V
C2257	1-107-826-11	CERAMIC CHIP 0.1uF	10% 16V	C2512	1-162-964-11	CERAMIC CHIP 0.001uF	10% 50V
C2259	1-100-567-81	CERAMIC CHIP 0.01uF	10% 25V	C2513	1-125-777-11	CERAMIC CHIP 0.1uF	10% 10V
C2261	1-164-862-11	CERAMIC CHIP 33PF	5% 50V	C2514	1-125-777-11	CERAMIC CHIP 0.1uF	10% 10V
C2262	1-165-708-11	ELECT CHIP 47uF	20% 6.3V	C2601	1-162-965-11	CERAMIC CHIP 0.0033uF	10% 50V
C2263	1-165-708-11	ELECT CHIP 47uF	20% 6.3V	C2602	1-162-923-11	CERAMIC CHIP 47PF	5% 50V
C2264	1-100-811-91	CERAMIC CHIP 22uF	20% 6.3V	C2603	1-164-227-11	CERAMIC CHIP 0.022uF	10% 25V
C2265	1-125-777-11	CERAMIC CHIP 0.1uF	10% 10V	C2604	1-162-965-11	CERAMIC CHIP 0.0015uF	10% 50V
C2331	1-100-352-11	CERAMIC CHIP 1uF	20% 16V	C2605	1-100-912-11	CERAMIC CHIP 1uF	10% 25V
C2332	1-165-708-11	ELECT CHIP 47uF	20% 6.3V	C2606	1-100-671-11	CERAMIC CHIP 4.7uF	20% 25V
C2333	1-125-777-11	CERAMIC CHIP 0.1uF	10% 10V	C2607	1-100-597-91	CERAMIC CHIP 0.1uF	10% 25V
C2334	1-165-708-11	ELECT CHIP 47uF	20% 6.3V	C2608	1-162-964-11	CERAMIC CHIP 0.001uF	10% 50V
C2335	1-125-777-11	CERAMIC CHIP 0.1uF	10% 10V	C2609	1-162-964-11	CERAMIC CHIP 0.001uF	10% 50V
C2336	1-100-354-21	ELECT CHIP 220uF	20% 6.3V	C2610	1-100-671-11	CERAMIC CHIP 4.7uF	20% 25V
C2337	1-125-777-11	CERAMIC CHIP 0.1uF	10% 10V	C2611	1-162-965-11	CERAMIC CHIP 0.0015uF	10% 50V
C2338	1-165-708-11	ELECT CHIP 47uF	20% 6.3V	C2612	1-162-920-11	CERAMIC CHIP 27PF	5% 50V
C2340	1-162-964-11	CERAMIC CHIP 0.001uF	10% 50V	C2613	1-115-414-11	CERAMIC CHIP 820PF	5% 25V
C2341	1-100-352-11	CERAMIC CHIP 1uF	20% 16V	C2614	1-164-227-11	CERAMIC CHIP 0.022uF	10% 25V
C2342	1-162-964-11	CERAMIC CHIP 0.001uF	10% 50V	* C2615	1-112-833-11	ELECT CHIP 68uF	20% 16V
C2343	1-100-352-11	CERAMIC CHIP 1uF	20% 16V	C2616	1-135-960-91	CERAMIC CHIP 10uF	10% 25V
C2344	1-162-964-11	CERAMIC CHIP 0.001uF	10% 50V	C2617	1-135-960-91	CERAMIC CHIP 10uF	10% 25V
C2345	1-127-760-11	CERAMIC CHIP 4.7uF	10% 6.3V	* C2618	1-112-833-11	ELECT CHIP 68uF	20% 16V
C2346	1-100-811-91	CERAMIC CHIP 22uF	20% 6.3V	C2619	1-114-188-11	ELECT CHIP 220uF	20% 16V
C2347	1-100-811-91	CERAMIC CHIP 22uF	20% 6.3V	C2620	1-135-960-91	CERAMIC CHIP 10uF	10% 25V
C2351	1-112-815-91	CERAMIC CHIP 10uF	20% 6.3V	C2621	1-135-960-91	CERAMIC CHIP 10uF	10% 25V
C2352	1-112-815-91	CERAMIC CHIP 10uF	20% 6.3V	C2622	1-100-597-91	CERAMIC CHIP 0.1uF	10% 25V
C2353	1-125-777-11	CERAMIC CHIP 0.1uF	10% 10V	C2623	1-112-797-11	ELECT CHIP 470uF	20% 25V
C2354	1-125-777-11	CERAMIC CHIP 0.1uF	10% 10V	C2624	1-125-777-11	CERAMIC CHIP 0.1uF	10% 10V
C2355	1-125-777-11	CERAMIC CHIP 0.1uF	10% 10V	C2625	1-165-708-11	ELECT CHIP 47uF	20% 6.3V
C2356	1-125-777-11	CERAMIC CHIP 0.1uF	10% 10V	C2626	1-127-760-11	CERAMIC CHIP 4.7uF	10% 16V
C2357	1-125-777-11	CERAMIC CHIP 0.1uF	10% 10V	C2627	1-100-352-11	CERAMIC CHIP 1uF	20% 16V
C2358	1-162-915-11	CERAMIC CHIP 10PF	0.5PF 50V	C2628	1-100-567-81	CERAMIC CHIP 0.01uF	10% 25V
C2371	1-112-815-91	CERAMIC CHIP 10uF	20% 6.3V	C2631	1-135-960-91	CERAMIC CHIP 10uF	10% 25V
C2372	1-112-815-91	CERAMIC CHIP 10uF	20% 6.3V	C2632	1-100-597-91	CERAMIC CHIP 0.1uF	10% 25V
C2373	1-125-777-11	CERAMIC CHIP 0.1uF	10% 10V	C2633	1-164-217-11	CERAMIC CHIP 150PF	5% 50V
C2374	1-125-777-11	CERAMIC CHIP 0.1uF	10% 10V	C2634	1-162-969-11	CERAMIC CHIP 0.0068uF	10% 25V
C2375	1-125-777-11	CERAMIC CHIP 0.1uF	10% 10V	C2635	1-107-826-11	CERAMIC CHIP 0.1uF	10% 16V
C2376	1-125-777-11	CERAMIC CHIP 0.1uF	10% 10V	C2636	1-135-960-91	CERAMIC CHIP 10uF	10% 25V
C2377	1-162-915-11	CERAMIC CHIP 10PF	0.5PF 50V	C2637	1-114-386-11	CAP, NIOBIUM ELECT 100uF	20% 10V
C2391	1-112-815-91	CERAMIC CHIP 10uF	20% 6.3V	C2639	1-107-826-11	CERAMIC CHIP 0.1uF	10% 16V
C2392	1-112-815-91	CERAMIC CHIP 10uF	20% 6.3V			< CONNECTOR >	
C2393	1-125-777-11	CERAMIC CHIP 0.1uF	10% 10V	CN1901	1-573-806-21	PIN, CONNECTOR (1.5mm) (SMD) 6P	
C2394	1-125-777-11	CERAMIC CHIP 0.1uF	10% 10V	CN1911	1-822-915-11	CONNECTOR, FFC/FPC (ZIF) 40P	
C2395	1-125-777-11	CERAMIC CHIP 0.1uF	10% 10V	* CN1913	1-691-591-11	PIN, CONNECTOR (1.5mm) (SMD) 8P	
C2396	1-125-777-11	CERAMIC CHIP 0.1uF	10% 10V	CN2001	1-822-915-11	CONNECTOR, FFC/FPC (ZIF) 40P	
C2397	1-162-915-11	CERAMIC CHIP 10PF	0.5PF 50V	CN2002	1-785-900-21	CONNECTOR 5P	
C2401	1-100-352-11	CERAMIC CHIP 1uF	20% 16V	CN2003	1-785-900-21	CONNECTOR 5P	
C2402	1-100-811-91	CERAMIC CHIP 22uF	20% 6.3V	CN2201	1-822-915-11	CONNECTOR, FFC/FPC (ZIF) 40P	
C2403	1-125-777-11	CERAMIC CHIP 0.1uF	10% 10V	CN2202	1-822-915-11	CONNECTOR, FFC/FPC (ZIF) 40P	
C2404	1-125-777-11	CERAMIC CHIP 0.1uF	10% 10V	CN2203	1-785-900-21	CONNECTOR 5P	
C2405	1-125-777-11	CERAMIC CHIP 0.1uF	10% 10V	CN2204	1-785-900-21	CONNECTOR 5P	
C2406	1-125-777-11	CERAMIC CHIP 0.1uF	10% 10V	CN2601	1-770-470-21	PIN, CONNECTOR (PC BOARD) 6P	
C2407	1-125-777-11	CERAMIC CHIP 0.1uF	10% 10V			< DIODE/SURGE ABSORBER >	
C2408	1-125-777-11	CERAMIC CHIP 0.1uF	10% 10V	D1921	8-719-016-73	DIODE STZ6.8T	
C2409	1-125-777-11	CERAMIC CHIP 0.1uF	10% 10V				
C2410	1-100-354-21	ELECT CHIP 220uF	20% 6.3V				

Ref. No.	Part No.	Description			Remark	Ref. No.	Part No.	Description			Remark
R1717	1-218-935-11	METAL CHIP	33	5%	1/16W	R2014	1-216-839-11	METAL CHIP	33K	5%	1/16W
R1718	1-216-803-11	METAL CHIP	33	5%	1/10W	R2020	1-216-864-11	SHORT CHIP	0		
R1719	1-218-935-11	METAL CHIP	33	5%	1/16W	R2021	1-216-845-11	METAL CHIP	100K	5%	1/16W
R1720	1-218-935-11	METAL CHIP	33	5%	1/16W	R2024	1-216-845-11	METAL CHIP	100K	5%	1/16W
R1721	1-218-935-11	METAL CHIP	33	5%	1/16W	R2025	1-216-845-11	METAL CHIP	100K	5%	1/16W
R1722	1-218-935-11	METAL CHIP	33	5%	1/16W	R2026	1-216-845-11	METAL CHIP	100K	5%	1/16W
R1723	1-218-935-11	METAL CHIP	33	5%	1/16W	R2027	1-216-845-11	METAL CHIP	100K	5%	1/16W
R1725	1-216-864-11	SHORT CHIP	0			R2028	1-216-864-11	SHORT CHIP	0		
R1728	1-218-990-11	SHORT CHIP	0			R2030	1-216-864-11	SHORT CHIP	0		
R1729	1-218-990-11	SHORT CHIP	0			R2031	1-216-845-11	METAL CHIP	100K	5%	1/16W
R1730	1-218-935-11	METAL CHIP	33	5%	1/16W	R2035	1-216-864-11	SHORT CHIP	0		
R1731	1-218-935-11	METAL CHIP	33	5%	1/16W	R2036	1-216-803-11	METAL CHIP	33	5%	1/10W
R1901	1-211-990-11	METAL CHIP	75	0.5%	1/10W	R2037	1-216-803-11	METAL CHIP	33	5%	1/10W
R1902	1-211-990-11	METAL CHIP	75	0.5%	1/10W	R2038	1-216-295-00	SHORT CHIP	0		
R1903	1-211-990-11	METAL CHIP	75	0.5%	1/10W	R2039	1-216-803-11	METAL CHIP	33	5%	1/10W
R1904	1-216-864-11	SHORT CHIP	0			R2040	1-216-845-11	METAL CHIP	100K	5%	1/16W
R1909	1-211-990-11	METAL CHIP	75	0.5%	1/10W	R2041	1-216-825-11	METAL CHIP	2.2K	5%	1/16W
R1910	1-500-284-21	INDUCTOR, FERRITE BEAD				R2042	1-216-825-11	METAL CHIP	2.2K	5%	1/16W
R1911	1-216-864-11	SHORT CHIP	0			R2043	1-216-803-11	METAL CHIP	33	5%	1/10W
R1912	1-500-284-21	INDUCTOR, FERRITE BEAD				R2044	1-216-803-11	METAL CHIP	33	5%	1/10W
R1913	1-216-864-11	SHORT CHIP	0			R2045	1-216-803-11	METAL CHIP	33	5%	1/10W
R1914	1-500-284-21	INDUCTOR, FERRITE BEAD				R2046	1-216-803-11	METAL CHIP	33	5%	1/10W
R1915	1-500-284-21	INDUCTOR, FERRITE BEAD				R2056	1-216-803-11	METAL CHIP	33	5%	1/10W
R1916	1-216-864-11	SHORT CHIP	0			R2057	1-216-803-11	METAL CHIP	33	5%	1/10W
R1917	1-216-864-11	SHORT CHIP	0			R2059	1-216-803-11	METAL CHIP	33	5%	1/10W
R1918	1-218-990-11	SHORT CHIP	0			R2067	1-216-803-11	METAL CHIP	33	5%	1/10W
R1919	1-218-990-11	SHORT CHIP	0			R2068	1-216-803-11	METAL CHIP	33	5%	1/10W
R1920	1-216-134-00	METAL CHIP	2.2	5%	1/8W	R2069	1-216-803-11	METAL CHIP	33	5%	1/10W
R1921	1-211-990-11	METAL CHIP	75	0.5%	1/10W	R2070	1-216-803-11	METAL CHIP	33	5%	1/10W
R1922	1-211-990-11	METAL CHIP	75	0.5%	1/10W	R2071	1-216-803-11	METAL CHIP	33	5%	1/10W
R1923	1-211-990-11	METAL CHIP	75	0.5%	1/10W	R2072	1-216-803-11	METAL CHIP	33	5%	1/10W
R1924	1-414-385-21	INDUCTOR, FERRITE BEAD				R2073	1-216-803-11	METAL CHIP	33	5%	1/10W
R1925	1-414-385-21	INDUCTOR, FERRITE BEAD				R2075	1-216-864-11	SHORT CHIP	0		
R1926	1-414-385-21	INDUCTOR, FERRITE BEAD				R2076	1-216-841-11	METAL CHIP	47K	5%	1/16W
R1927	1-414-385-21	INDUCTOR, FERRITE BEAD				R2077	1-216-841-11	METAL CHIP	47K	5%	1/16W
R1928	1-216-864-11	SHORT CHIP	0			R2078	1-216-864-11	SHORT CHIP	0		
R1929	1-216-864-11	SHORT CHIP	0			R2079	1-216-864-11	SHORT CHIP	0		
R1932	1-218-990-11	SHORT CHIP	0			R2080	1-216-864-11	SHORT CHIP	0		
R1933	1-218-990-11	SHORT CHIP	0			R2081	1-216-864-11	SHORT CHIP	0		
R1934	1-218-990-11	SHORT CHIP	0			R2082	1-216-864-11	SHORT CHIP	0		
R1935	1-218-990-11	SHORT CHIP	0			R2083	1-216-864-11	SHORT CHIP	0		
R1936	1-218-990-11	SHORT CHIP	0			R2085	1-216-864-11	SHORT CHIP	0		
R1937	1-218-990-11	SHORT CHIP	0			R2201	1-216-857-11	METAL CHIP	1M	5%	1/16W
R1938	1-216-864-11	SHORT CHIP	0			R2202	1-218-990-11	SHORT CHIP	0		
R1939	1-216-864-11	SHORT CHIP	0			R2203	1-218-935-11	METAL CHIP	33	5%	1/10W
R1981	1-216-845-11	METAL CHIP	100K	5%	1/10W	R2206	1-216-845-11	METAL CHIP	100K	5%	1/10W
R1983	1-211-989-11	METAL CHIP	68	0.5%	1/10W	R2207	1-216-864-11	SHORT CHIP	0		
R2001	1-216-845-11	METAL CHIP	100K	5%	1/10W	R2210	1-218-935-11	METAL CHIP	33	5%	1/10W
R2002	1-216-845-11	METAL CHIP	100K	5%	1/10W	R2211	1-218-935-11	METAL CHIP	33	5%	1/10W
R2003	1-216-803-11	METAL CHIP	33	5%	1/10W	R2212	1-218-941-11	METAL CHIP	100	5%	1/16W
R2004	1-216-803-11	METAL CHIP	33	5%	1/10W	R2213	1-218-941-11	METAL CHIP	100	5%	1/16W
R2005	1-216-803-11	METAL CHIP	33	5%	1/10W	R2214	1-218-933-11	METAL CHIP	22	5%	1/16W
R2006	1-216-803-11	METAL CHIP	33	5%	1/10W	R2215	1-208-859-81	METAL CHIP	68	0.5%	1/16W
R2007	1-216-803-11	METAL CHIP	33	5%	1/10W	R2216	1-218-935-11	METAL CHIP	33	5%	1/10W
R2008	1-216-803-11	METAL CHIP	33	5%	1/10W	R2217	1-218-935-11	METAL CHIP	33	5%	1/10W
R2009	1-216-803-11	METAL CHIP	33	5%	1/10W	R2218	1-218-935-11	METAL CHIP	33	5%	1/10W
R2010	1-216-845-11	METAL CHIP	100K	5%	1/10W	R2219	1-218-935-11	METAL CHIP	33	5%	1/10W
R2011	1-216-803-11	METAL CHIP	33	5%	1/10W	R2220	1-218-935-11	METAL CHIP	33	5%	1/10W
R2012	1-216-845-11	METAL CHIP	100K	5%	1/10W	R2221	1-218-935-11	METAL CHIP	33	5%	1/10W
R2013	1-216-864-11	SHORT CHIP	0			R2222	1-218-935-11	METAL CHIP	33	5%	1/10W

XNV-660BT/L66BT

VISUAL

Ref. No.	Part No.	Description			Remark	Ref. No.	Part No.	Description			Remark
R2223	1-218-933-11	METAL CHIP	22	5%	1/16W	R2401	1-218-941-11	METAL CHIP	100	5%	1/16W
R2227	1-218-935-11	METAL CHIP	33	5%	1/16W	R2402	1-218-941-11	METAL CHIP	100	5%	1/16W
R2230	1-216-833-11	METAL CHIP	10K	5%	1/10W	R2403	1-218-941-11	METAL CHIP	100	5%	1/16W
R2231	1-218-990-11	SHORT CHIP	0			R2404	1-218-941-11	METAL CHIP	100	5%	1/16W
R2233	1-218-990-11	SHORT CHIP	0			R2405	1-218-941-11	METAL CHIP	100	5%	1/16W
R2234	1-218-990-11	SHORT CHIP	0			R2406	1-218-941-11	METAL CHIP	100	5%	1/16W
R2235	1-218-933-11	METAL CHIP	22	5%	1/16W	R2407	1-218-941-11	METAL CHIP	100	5%	1/16W
R2236	1-218-990-11	SHORT CHIP	0			R2408	1-218-941-11	METAL CHIP	100	5%	1/16W
R2237	1-218-935-11	METAL CHIP	33	5%	1/16W	R2409	1-218-941-11	METAL CHIP	100	5%	1/16W
R2238	1-218-933-11	METAL CHIP	22	5%	1/16W	R2410	1-216-864-11	SHORT CHIP	0		
R2239	1-218-933-11	METAL CHIP	22	5%	1/16W	R2411	1-218-933-11	METAL CHIP	22	5%	1/16W
R2241	1-218-933-11	METAL CHIP	22	5%	1/16W	R2412	1-218-941-11	METAL CHIP	100	5%	1/16W
R2242	1-216-813-11	METAL CHIP	220	5%	1/10W	R2413	1-216-864-11	SHORT CHIP	0		
R2243	1-216-864-11	SHORT CHIP	0			R2414	1-216-864-11	SHORT CHIP	0		
R2244	1-216-864-11	SHORT CHIP	0			R2501	1-218-933-11	METAL CHIP	22	5%	1/16W
R2245	1-218-990-11	SHORT CHIP	0			R2502	1-218-935-11	METAL CHIP	33	5%	1/16W
R2246	1-218-990-11	SHORT CHIP	0			R2503	1-218-933-11	METAL CHIP	22	5%	1/16W
R2247	1-218-990-11	SHORT CHIP	0			R2504	1-216-833-11	METAL CHIP	10K	5%	1/10W
R2248	1-218-990-11	SHORT CHIP	0			R2505	1-216-833-11	METAL CHIP	10K	5%	1/10W
R2249	1-218-990-11	SHORT CHIP	0			R2506	1-218-933-11	METAL CHIP	22	5%	1/16W
R2250	1-218-990-11	SHORT CHIP	0			R2507	1-218-933-11	METAL CHIP	22	5%	1/16W
R2251	1-218-990-11	SHORT CHIP	0			R2508	1-218-990-11	SHORT CHIP	0		
R2252	1-218-990-11	SHORT CHIP	0			R2509	1-218-933-11	METAL CHIP	22	5%	1/16W
R2253	1-218-990-11	SHORT CHIP	0			R2510	1-216-833-11	METAL CHIP	10K	5%	1/10W
R2254	1-218-990-11	SHORT CHIP	0			R2511	1-218-933-11	METAL CHIP	22	5%	1/16W
R2255	1-218-990-11	SHORT CHIP	0			R2512	1-218-933-11	METAL CHIP	22	5%	1/16W
R2256	1-218-990-11	SHORT CHIP	0			R2513	1-218-935-11	METAL CHIP	33	5%	1/16W
R2257	1-218-990-11	SHORT CHIP	0			R2514	1-218-933-11	METAL CHIP	22	5%	1/16W
R2258	1-218-990-11	SHORT CHIP	0			R2515	1-216-833-11	METAL CHIP	10K	5%	1/10W
R2259	1-218-990-11	SHORT CHIP	0			R2516	1-216-833-11	METAL CHIP	10K	5%	1/10W
R2260	1-218-990-11	SHORT CHIP	0			R2517	1-218-933-11	METAL CHIP	22	5%	1/16W
R2261	1-218-990-11	SHORT CHIP	0			R2518	1-218-933-11	METAL CHIP	22	5%	1/16W
R2262	1-218-990-11	SHORT CHIP	0			R2519	1-218-990-11	SHORT CHIP	0		
R2263	1-218-990-11	SHORT CHIP	0			R2520	1-218-933-11	METAL CHIP	22	5%	1/16W
R2264	1-218-990-11	SHORT CHIP	0			R2521	1-216-833-11	METAL CHIP	10K	5%	1/10W
R2265	1-218-990-11	SHORT CHIP	0			R2522	1-218-933-11	METAL CHIP	22	5%	1/16W
R2266	1-218-990-11	SHORT CHIP	0			R2601	1-216-845-11	METAL CHIP	100K	5%	1/10W
R2267	1-218-990-11	SHORT CHIP	0			R2602	1-216-830-11	METAL CHIP	5.6K	5%	1/10W
R2268	1-218-990-11	SHORT CHIP	0			R2603	1-216-835-11	METAL CHIP	15K	5%	1/10W
R2269	1-218-990-11	SHORT CHIP	0			R2604	1-216-841-11	METAL CHIP	47K	5%	1/10W
R2270	1-218-990-11	SHORT CHIP	0			R2605	1-216-812-11	METAL CHIP	180	5%	1/10W
R2271	1-218-990-11	SHORT CHIP	0			R2606	1-216-853-11	METAL CHIP	470K	5%	1/10W
R2272	1-218-990-11	SHORT CHIP	0			R2607	1-216-864-11	SHORT CHIP	0		
R2273	1-218-990-11	SHORT CHIP	0			R2608	1-216-864-11	SHORT CHIP	0		
R2274	1-218-990-11	SHORT CHIP	0			R2609	1-216-833-11	METAL CHIP	10K	5%	1/10W
R2275	1-218-990-11	SHORT CHIP	0			R2610	1-216-832-11	METAL CHIP	8.2K	5%	1/10W
R2277	1-218-935-11	METAL CHIP	33	5%	1/16W	R2611	1-216-845-11	METAL CHIP	100K	5%	1/10W
R2278	1-218-990-11	SHORT CHIP	0			R2612	1-216-814-11	METAL CHIP	270	5%	1/10W
R2351	1-216-833-11	METAL CHIP	10K	5%	1/10W	R2613	1-246-335-11	METAL CHIP	0.012	1%	1/2W
R2352	1-216-821-11	METAL CHIP	1K	5%	1/10W	R2614	1-246-335-11	METAL CHIP	0.012	1%	1/2W
R2353	1-216-833-11	METAL CHIP	10K	5%	1/10W	R2615	1-216-864-11	SHORT CHIP	0		
R2354	1-216-817-11	METAL CHIP	470	5%	1/10W	R2616	1-246-335-11	METAL CHIP	0.012	1%	1/2W
R2371	1-216-833-11	METAL CHIP	10K	5%	1/10W	R2617	1-246-335-11	METAL CHIP	0.012	1%	1/2W
R2372	1-216-821-11	METAL CHIP	1K	5%	1/10W	R2618	1-216-864-11	SHORT CHIP	0		
R2373	1-216-833-11	METAL CHIP	10K	5%	1/10W	R2619	1-216-809-11	METAL CHIP	100	5%	1/10W
R2374	1-216-817-11	METAL CHIP	470	5%	1/10W	R2620	1-216-809-11	METAL CHIP	100	5%	1/10W
R2391	1-216-833-11	METAL CHIP	10K	5%	1/10W	R2621	1-216-825-11	METAL CHIP	2.2K	5%	1/10W
R2392	1-216-821-11	METAL CHIP	1K	5%	1/10W	R2622	1-216-864-11	SHORT CHIP	0		
R2393	1-216-833-11	METAL CHIP	10K	5%	1/10W	R2623	1-216-864-11	SHORT CHIP	0		
R2394	1-216-817-11	METAL CHIP	470	5%	1/10W	R2624	1-216-864-11	SHORT CHIP	0		

Ref. No.	Part No.	Description	Remark	Ref. No.	Part No.	Description	Remark
R2625	1-216-864-11	SHORT CHIP	0	R9906	1-216-295-00	SHORT CHIP	0
R2626	1-216-864-11	SHORT CHIP	0	R9907	1-216-295-00	SHORT CHIP	0
R2627	1-216-864-11	SHORT CHIP	0	R9908	1-216-295-00	SHORT CHIP	0
R2628	1-216-833-11	METAL CHIP	10K 5%	R9909	1-216-295-00	SHORT CHIP	0
R2629	1-216-823-11	METAL CHIP	1.5K 5%	R9910	1-216-295-00	SHORT CHIP	0
R2630	1-216-864-11	SHORT CHIP	0	R9911	1-216-295-00	SHORT CHIP	0
R2631	1-218-894-11	METAL CHIP	91K 0.5%	R9912	1-216-864-11	SHORT CHIP	0
R2632	1-216-835-11	METAL CHIP	15K 5%	R9913	1-216-864-11	SHORT CHIP	0
R2633	1-218-875-11	METAL CHIP	15K 0.5%				
R2634	1-218-860-11	METAL CHIP	3.6K 0.5%				
R2636	1-216-864-11	SHORT CHIP	0				
R2637	1-400-693-21	INDUCTOR, FERRITE BEAD (1005)		* RB1701	1-234-714-11	RES, NETWORK 56 (1005X4)	
R2639	1-469-084-21	INDUCTOR, FERRITE BEAD (1005)		* RB1702	1-234-714-11	RES, NETWORK 56 (1005X4)	
R2640	1-400-693-21	INDUCTOR, FERRITE BEAD (1005)		* RB1703	1-234-714-11	RES, NETWORK 56 (1005X4)	
R2641	1-400-693-21	INDUCTOR, FERRITE BEAD (1005)		* RB1704	1-234-714-11	RES, NETWORK 56 (1005X4)	
R2642	1-400-693-21	INDUCTOR, FERRITE BEAD (1005)		* RB1705	1-234-714-11	RES, NETWORK 56 (1005X4)	
R2643	1-400-693-21	INDUCTOR, FERRITE BEAD (1005)		* RB1706	1-234-714-11	RES, NETWORK 56 (1005X4)	
R2644	1-469-084-21	INDUCTOR, FERRITE BEAD (1005)		RB1707	1-242-963-21	RES, NETWORK 33 (1005X4)	
R2646	1-469-084-21	INDUCTOR, FERRITE BEAD (1005)		RB1708	1-242-963-21	RES, NETWORK 33 (1005X4)	
R2647	1-469-084-21	INDUCTOR, FERRITE BEAD (1005)		RB1709	1-242-963-21	RES, NETWORK 33 (1005X4)	
R2648	1-469-084-21	INDUCTOR, FERRITE BEAD (1005)		RB2201	1-234-371-21	RES, NETWORK 47 (1005X4)	
R2649	1-469-084-21	INDUCTOR, FERRITE BEAD (1005)		RB2202	1-234-371-21	RES, NETWORK 47 (1005X4)	
R2650	1-469-084-21	INDUCTOR, FERRITE BEAD (1005)		RB2203	1-234-371-21	RES, NETWORK 47 (1005X4)	
R2651	1-469-084-21	INDUCTOR, FERRITE BEAD (1005)		RB2204	1-234-371-21	RES, NETWORK 47 (1005X4)	
R2652	1-469-084-21	INDUCTOR, FERRITE BEAD (1005)		RB2205	1-234-371-21	RES, NETWORK 47 (1005X4)	
R2653	1-469-084-21	INDUCTOR, FERRITE BEAD (1005)		RB2206	1-234-371-21	RES, NETWORK 47 (1005X4)	
R2654	1-500-329-21	INDUCTOR, FERRITE BEAD		RB2207	1-234-369-21	RES, NETWORK 10 (1005X4)	
R2655	1-469-084-21	INDUCTOR, FERRITE BEAD (1005)		RB2208	1-234-369-21	RES, NETWORK 10 (1005X4)	
R2656	1-469-084-21	INDUCTOR, FERRITE BEAD (1005)		RB2209	1-234-369-21	RES, NETWORK 10 (1005X4)	
R2657	1-469-084-21	INDUCTOR, FERRITE BEAD (1005)		RB2210	1-234-369-21	RES, NETWORK 10 (1005X4)	
R2658	1-469-084-21	INDUCTOR, FERRITE BEAD (1005)		RB2211	1-234-370-21	RES, NETWORK 22 (1005X4)	
R2659	1-469-084-21	INDUCTOR, FERRITE BEAD (1005)		RB2212	1-234-370-21	RES, NETWORK 22 (1005X4)	
R2660	1-469-084-21	INDUCTOR, FERRITE BEAD (1005)		RB2213	1-234-370-21	RES, NETWORK 22 (1005X4)	
R2661	1-469-084-21	INDUCTOR, FERRITE BEAD (1005)		RB2214	1-234-370-21	RES, NETWORK 22 (1005X4)	
R2662	1-469-084-21	INDUCTOR, FERRITE BEAD (1005)		RB2401	1-234-372-11	RES, NETWORK 100 (1005X4)	
R2663	1-469-084-21	INDUCTOR, FERRITE BEAD (1005)		RB2402	1-234-372-11	RES, NETWORK 100 (1005X4)	
R2664	1-469-084-21	INDUCTOR, FERRITE BEAD (1005)		RB2403	1-234-372-11	RES, NETWORK 100 (1005X4)	
R2665	1-469-084-21	INDUCTOR, FERRITE BEAD (1005)		RB2404	1-234-372-11	RES, NETWORK 100 (1005X4)	
R2666	1-469-084-21	INDUCTOR, FERRITE BEAD (1005)		RB2405	1-234-372-11	RES, NETWORK 100 (1005X4)	
R2667	1-469-084-21	INDUCTOR, FERRITE BEAD (1005)		RB2406	1-234-372-11	RES, NETWORK 100 (1005X4)	
R2668	1-469-084-21	INDUCTOR, FERRITE BEAD (1005)		RB2407	1-234-372-11	RES, NETWORK 100 (1005X4)	
R2669	1-469-084-21	INDUCTOR, FERRITE BEAD (1005)		RB2501	1-234-370-21	RES, NETWORK 22 (1005X4)	
R2670	1-469-084-21	INDUCTOR, FERRITE BEAD (1005)		RB2502	1-234-370-21	RES, NETWORK 22 (1005X4)	
R2671	1-469-084-21	INDUCTOR, FERRITE BEAD (1005)		RB2503	1-234-370-21	RES, NETWORK 22 (1005X4)	
R2679	1-216-864-11	SHORT CHIP	0	RB2504	1-234-370-21	RES, NETWORK 22 (1005X4)	
R2680	1-216-864-11	SHORT CHIP	0	RB2505	1-234-370-21	RES, NETWORK 22 (1005X4)	
R2681	1-218-990-11	SHORT CHIP	0	RB2506	1-234-370-21	RES, NETWORK 22 (1005X4)	
R2682	1-218-990-11	SHORT CHIP	0	RB2507	1-234-370-21	RES, NETWORK 22 (1005X4)	
R9501	1-216-295-00	SHORT CHIP	0	RB2508	1-234-370-21	RES, NETWORK 22 (1005X4)	
R9502	1-216-295-00	SHORT CHIP	0	RB2509	1-234-370-21	RES, NETWORK 22 (1005X4)	
R9503	1-216-295-00	SHORT CHIP	0	RB2511	1-234-370-21	RES, NETWORK 22 (1005X4)	
R9504	1-216-295-00	SHORT CHIP	0	RB2512	1-234-370-21	RES, NETWORK 22 (1005X4)	
R9505	1-216-295-00	SHORT CHIP	0	RB2513	1-234-370-21	RES, NETWORK 22 (1005X4)	
R9506	1-216-295-00	SHORT CHIP	0	RB2514	1-234-370-21	RES, NETWORK 22 (1005X4)	
R9507	1-216-864-11	SHORT CHIP	0	RB2515	1-234-370-21	RES, NETWORK 22 (1005X4)	
R9901	1-216-295-00	SHORT CHIP	0	RB2516	1-234-370-21	RES, NETWORK 22 (1005X4)	
R9902	1-216-295-00	SHORT CHIP	0	RB2517	1-234-370-21	RES, NETWORK 22 (1005X4)	
R9903	1-216-295-00	SHORT CHIP	0	RB2518	1-234-370-21	RES, NETWORK 22 (1005X4)	
R9904	1-216-864-11	SHORT CHIP	0	RB2519	1-234-370-21	RES, NETWORK 22 (1005X4)	
R9905	1-216-295-00	SHORT CHIP	0				

< COMPOSITION CIRCUIT BLOCK >

XNV-660BT/L66BT

Ver. 1.1

VISUAL

Ref. No.	Part No.	Description	Remark	Ref. No.	Part No.	Description	Remark
		< THERMISTOR >				ACCESSORIES	

TH2001	1-810-812-21	THERMISTOR, NTC (1608)					
		< VIBRATOR >					
X1701	1-814-308-11	VIBRATOR, CRYSTAL (27MHz)			1-487-638-12	REMOTE COMMANDER (RM-X170)	
X2001	1-795-059-21	VIBRATOR, CERAMIC (6MHz)			3-264-798-01	CAP (1 piece) (for AUX2 AUDIO IN jack)	
X2201	1-814-334-11	QUARTZ CRYSTAL UNITS (33MHz)			4-163-772-01	DISC, APPLICATION	
						(CD-ROM: SensMe™ Setup, Content Transfer)	
					4-197-968-11	MANUAL, INSTRUCTION	
						(ENGLISH, FRENCH, SPANISH) (US, CND)	
					4-197-968-21	MANUAL, INSTRUCTION	
						(ENGLISH, SPANISH, ITALIAN) (AEP, UK)	
		MISCELLANEOUS					

2	1-481-687-11	CORE, FERRITE			4-197-968-31	MANUAL, INSTRUCTION	
5	1-828-543-11	CORD (WITH CONNECTOR)				(FRENCH, GERMAN, DUTCH) (AEP, IT, UK)	
		(POWER CORD (ISO)) (AEP, IT, UK)			4-197-968-51	MANUAL, INSTRUCTION	
5	1-834-204-21	CONNECTION CODE FOR AUTOMOBILE				(ENGLISH, SPANISH, ITALIAN) (IT)	
		(POWER CORD) (US, CND)			4-197-969-11	MANUAL, INSTRUCTION, INSTALL	
6	1-837-303-21	CORD, CONNECTION (16P) (REVERSE IN/				(ENGLISH, FRENCH, SPANISH) (US, CND)	
		SPEED IN/AUX1 AUDIO IN/FRONT AUDIO OUT/			4-197-969-21	MANUAL, INSTRUCTION, INSTALL	
		REAR AUDIO OUT/SUB OUT)				(ENGLISH, FRENCH) (AEP, IT, UK)	
103	1-837-307-11	CONNECTION CORD FOR AUTOMOBILE (-↔)			4-197-969-31	MANUAL, INSTRUCTION, INSTALL	
						(SPANISH, ITALIAN) (AEP, IT, UK)	
104	1-837-315-11	CONNECTION CORD FOR AUTOMOBILE					
		(MIC IN/AUX2 AUDIO IN)			4-197-969-41	MANUAL, INSTRUCTION, INSTALL	
151	1-837-115-21	CABLE, FLEXIBLE FLAT (40 CORE)				(GERMAN, DUTCH) (AEP, IT, UK)	
153	1-837-119-21	CABLE, FLEXIBLE FLAT (40 CORE)				*****	
203	1-838-285-11	CABLE, FLEXIBLE FLAT (40 CORE)					
258	A-1732-663-A	CHASSIS (M613) COMPLETE ASSY					
		(Including loading motor (M1))					
△ 260	A-1560-594-B	CHASSIS (OP, ZA) COMPLETE ASSY					
		(Including optical pick-up (KHS-360A))					
262	1-837-116-41	CABLE, FLEXIBLE FLAT (60 CORE)					
263	1-838-748-11	CORD WITH CONNECTOR					
F801	1-532-877-11	FUSE (BLADE TYPE) (AUTO FUSE) (10A/32V)					
LCD1401	1-811-003-11	DISPLAY PANEL, LIQUID CRYSTAL					
M801	1-787-764-11	FAN, DC					
TPS1401	1-811-004-11	TOUCH PANEL					

Ref. No.	Part No.	Description	Remark
PARTS FOR INSTALLATION AND CONNECTIONS *****			
501	X-2514-519-2	FRAME, FITTING ASSY (AEP, IT, UK)	
502	1-465-459-41	ADAPTOR, ANTENNA (AEP, IT, UK)	
503	3-876-675-01	KEY (FRAME) (1 piece) (AEP, IT, UK)	
504	4-148-662-01	COLLAR (AEP, IT, UK)	
505	1-828-543-11	CORD (WITH CONNECTOR) (POWER CORD (ISO)) (AEP, IT, UK)	
505	1-834-204-21	CONNECTION CODE FOR AUTOMOBILE (POWER CORD) (US, CND)	
506	1-837-303-21	CORD, CONNECTION (16P) (REVERSE IN/ SPEED IN/AUX1 AUDIO IN/FRONT AUDIO OUT/ REAR AUDIO OUT/SUB OUT)	
507	X-2177-512-1	SCREW ASSY (2DIN) (8 pieces, 1 set)	
508	1-542-798-11	MICROPHONE UNIT (XA-MC10)	
509	4-123-706-01	CORD CLAMPER (1 piece)	
510	1-489-258-11	DOCKING STATION (NAVI) (Car dock)	
511	1-489-256-11	MODULE (NAVI) (Navigation module) (660BT: US, CND)	
511	1-489-256-21	MODULE (NAVI) (Navigation module) (L66BT)	
511	1-489-256-31	MODULE (NAVI) (Navigation module) (660BT: AEP, UK)	
512	4-256-030-01	REFLECTOR (GPS) (Mounting sheet)	
513	1-754-739-11	ANTENNA, GPS (VCA-43)	
514	1-838-415-11	CORD, CONNECTION (USB5P) (USB cable)	
515	4-209-120-01	CLIP (3 pieces, 1 set) (Plastic studs)	

