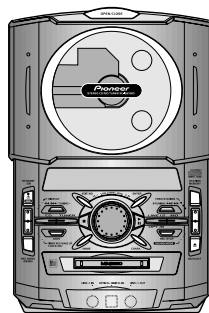


# Service Manual

Pioneer



ORDER NO.  
RRV2149

## CD MD TUNER XC-IS21MD

THIS MANUAL IS APPLICABLE TO THE FOLLOWING MODEL(S) AND TYPE(S).

Type	Model	Power Requirement	Remarks
	XC-IS21MD		
ZUCXJ	O	DC power supply from other system	

● This product is a system(s) component.

This product does not function properly when independent; to avoid malfunctions, be sure to connect it to the prescribed system component(s), otherwise damage may result.

Component	System	Service Manual	Remarks
	IS-21MD		
CD MD TUNER	XC-IS21MD	RRV2149	This service manual
STEREO POWER AMPLIFIER	M-IS21	RRV2143	
SPEAKER SYSTEM	S-IS21	RRV2141	

## CONTENTS

1. SAFETY INFORMATION .....	2	7.1 DIAGNOSIS .....	68
2. EXPLODED VIEWS AND PARTS LIST .....	3	7.1.1 SINGLE OPERATION METHOD .....	68
3. BLOCK DIAGRAM AND SCHEMATIC DIAGRAM .....	14	7.1.2 SEQUENCE AFTER THE POWER ON .....	70
4. PCB CONNECTION DIAGRAM .....	38	7.1.3 DETAILS OF ERROR DISPLAY .....	71
5. PCB PARTS LIST .....	52	7.1.4 DISASSEMBLY .....	74
6. ADJUSTMENT .....	57	7.1.5 PCB LOCATION .....	80
7. GENERAL INFORMATION .....	68	7.2 PARTS .....	81
		7.2.1 IC .....	81
		8. PANEL FACILITIES AND SPECIFICATIONS .....	96

PIONEER ELECTRONIC CORPORATION 4-1, Meguro 1-Chome, Meguro-ku, Tokyo 153-8654, Japan  
 PIONEER ELECTRONICS SERVICE, INC. P.O. Box 1760, Long Beach, CA 90801-1760, U.S.A.  
 PIONEER ELECTRONIC (EUROPE) N.V. Haven 1087, Keetberglaan 1, 9120 Melsele, Belgium  
 PIONEER ELECTRONICS ASIACENTRE PTE. LTD. 253 Allexandra Road, #04-01, Singapore 159936  
 © PIONEER ELECTRONIC CORPORATION 1999

# 1. SAFETY INFORMATION

This service manual is intended for qualified service technicians; it is not meant for the casual do-it-yourselfer. Qualified technicians have the necessary test equipment and tools, and have been trained to properly and safely repair complex products such as those covered by this manual. Improperly performed repairs can adversely affect the safety and reliability of the product and may void the warranty. If you are not qualified to perform the repair of this product properly and safely, you should not risk trying to do so and refer the repair to a qualified service technician.

**WARNING**

This product contains lead in solder and certain electrical parts contain chemicals which are known to the state of California to cause cancer, birth defects or other reproductive harm.

Health & Safety Code Section 25249.6 – Proposition 65

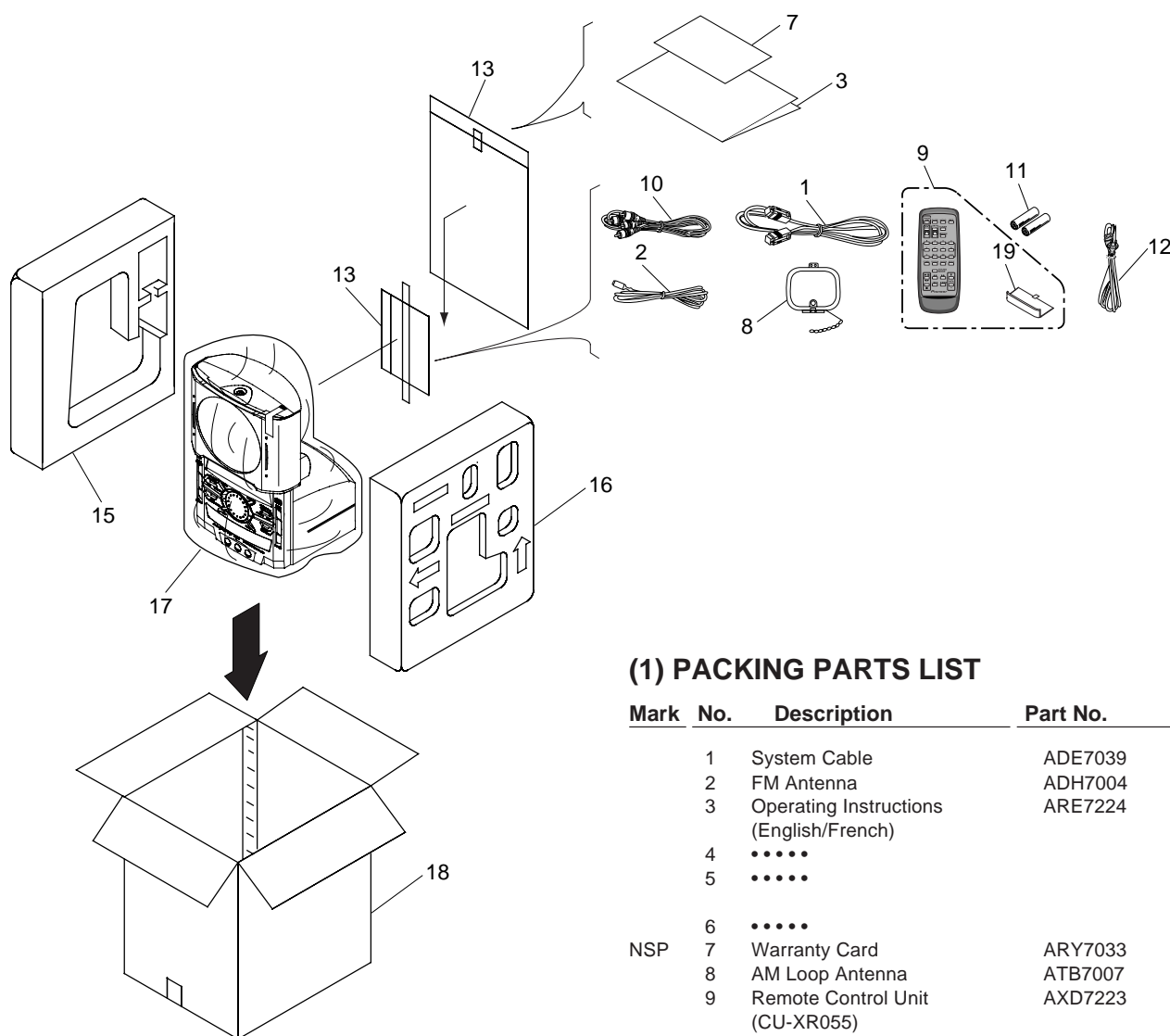
— IMPORTANT —  
THIS PIONEER APPARATUS CONTAINS  
LASER OF CLASS 1.  
SERVICING OPERATION OF THE APPARATUS  
SHOULD BE DONE BY A SPECIALLY  
INSTRUTED PERSON.

— LASER DIODE CHARACTERISTICS —  
MAXIMUM OUTPUT POWER: 5 mw  
WAVELENGTH: 780-785 nm

## 2. EXPLODED VIEWS AND PARTS LIST

- NOTES:
- Parts marked by "NSP" are generally unavailable because they are not in our Master Spare Parts List.
  - The  $\Delta$  mark found on some component parts indicates the importance of the safety factor of the part. Therefore, when replacing, be sure to use parts of identical designation.
  - Screws adjacent to  $\blacktriangledown$  mark on the product are used for disassembly.

### 2.1 PACKING

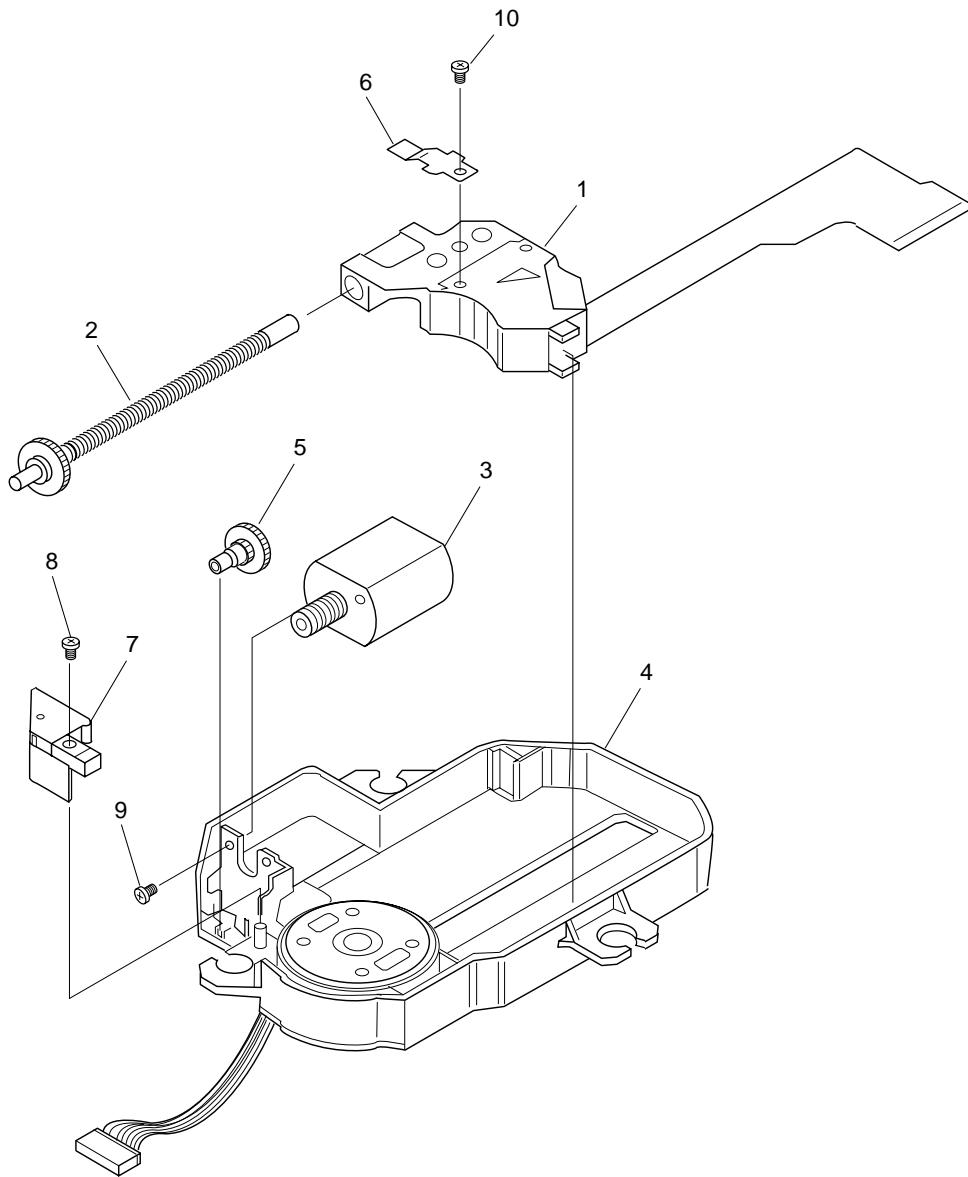


#### (1) PACKING PARTS LIST

Mark	No.	Description	Part No.
	1	System Cable	ADE7039
	2	FM Antenna	ADH7004
	3	Operating Instructions (English/French)	ARE7224
	4	•••••	
	5	•••••	
	6	•••••	
NSP	7	Warranty Card	ARY7033
	8	AM Loop Antenna	ATB7007
	9	Remote Control Unit (CU-XR055)	AXD7223
	10	RCA Pin- plug Stereo Cable (L= 1.5m)	VDE1052
NSP	11	Dry Cell Batteries(AA/R6)	VEM-013
$\Delta$	12	Power Cord	XDG3007
	13	Polyethylene Bag (0.03 x 230 x 340)	Z21-038
	14	•••••	
	15	Side Pad ML	AHA7240
	16	Side Pad MR	AHA7241
	17	Packing Sheet	AHG7053
	18	Packing Case	AHD7755
	19	Battery Cover	AZA7331

# XC-IS21MD

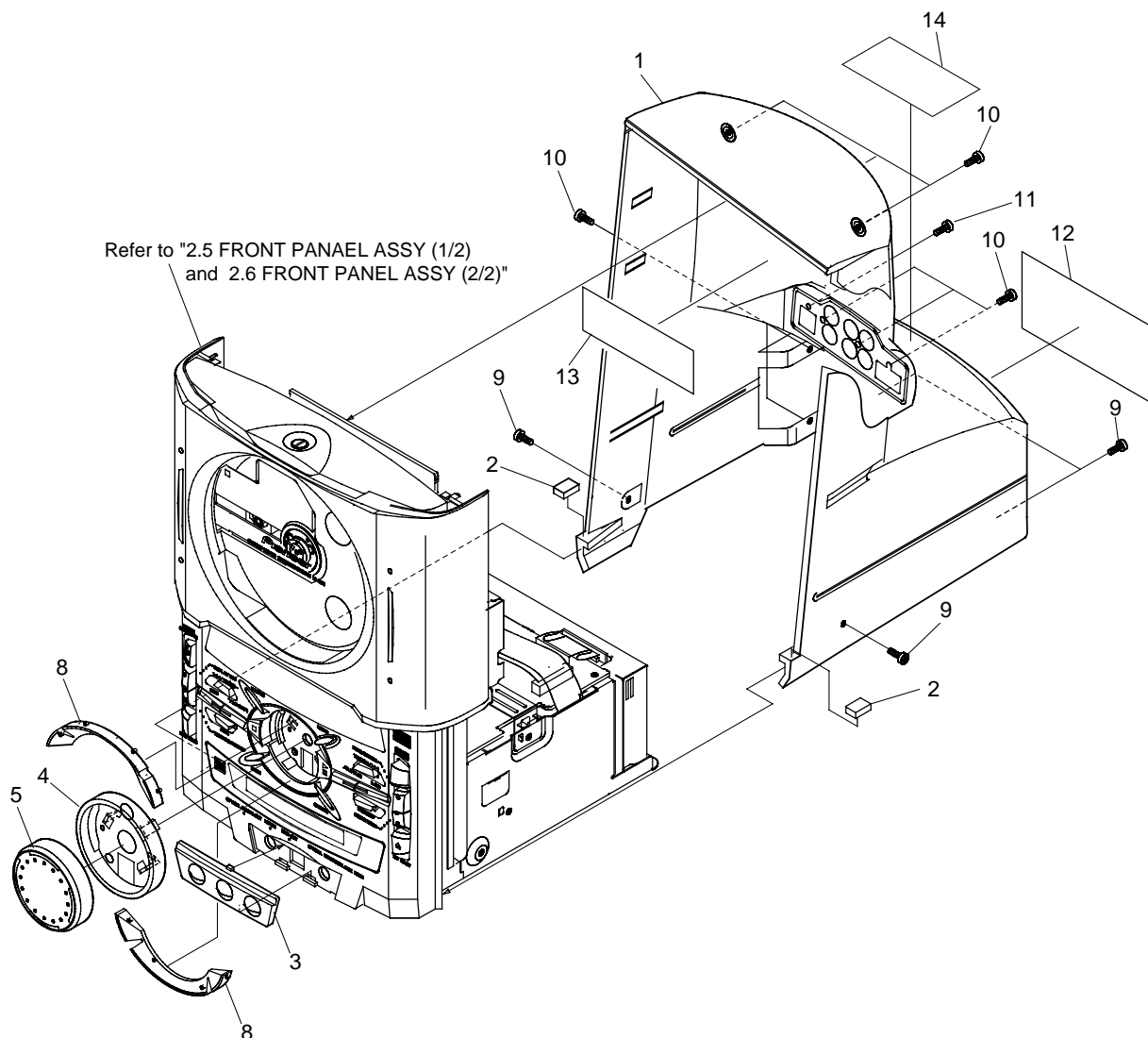
## 2.2 CD MECHANISM ASSY



### ● CD MECHANISM ASSY PARTS LIST

Mark No.	Description	Parts No.
1	KSS-620A(RP)	8-820-063-(03)
2	Sled Screw Assy	X-2646-389-(1)
3	Sled Motor Assy	A-4912-199-(A)
4	MD Assy	X-2646-482-(1)
5	Geer BN	2-627-751-(02)
6	Rack Spring	2-646-912-(01)
7	Holder	2-646-913-(01)
8	Tapping Screw	2-646-352-01
9	Precision Screw	2-627-668-01
10	Tapping Screw	2-646-358-11

2.3 EXTERIOR (1/2)

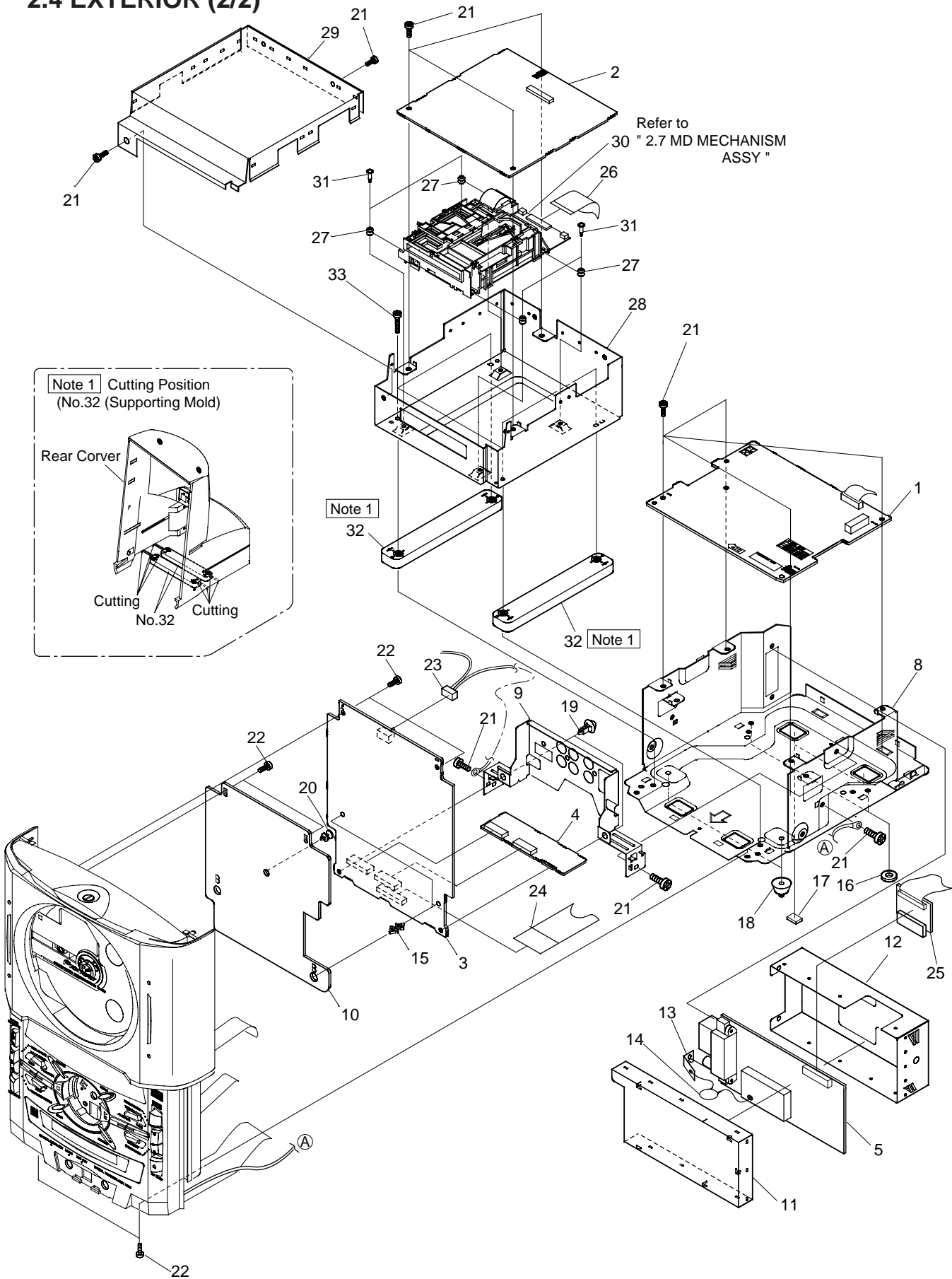


(1) EXTERIOR (1/2) PARTS LIST

Mark No.	Description	Parts No.	Mark No.	Description	Parts No.
1	Rear Cover	AMC7029	11	Screw	BMZ30P060FZK
2	Cussion Rubber	AEB7154	NSP 12	Name Label M	AAL7238
3	Jack Door	AAN7188	13	65 Label	ARW7050
4	Jog Lens	AAK7651	14	Label M	ARW7065
5	Jog Knob	AAA7005			
6	•••••				
7	•••••				
8	Jog Escutcheon	AAK7620			
9	Screw	BBZ30P080FMC			
10	Screw	VPZ30P100FMC			

# XC-IS21MD

## 2.4 EXTERIOR (2/2)

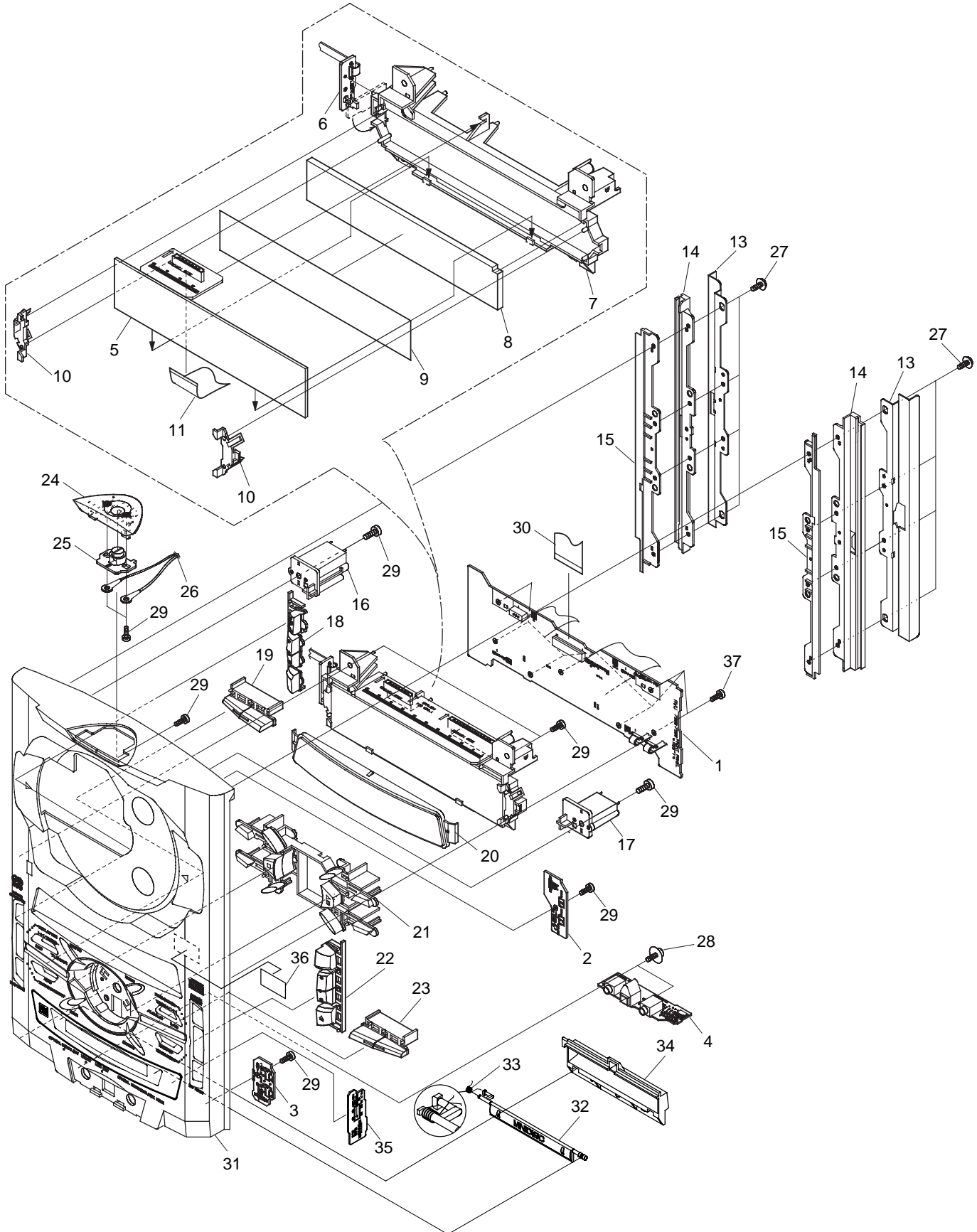


## ● EXTERIOR (2/2) PARTS LIST

Mark	No.	Description	Parts No.
	1	U- COM ASSY	AWU7331
	2	MD ASSY	AWU7336
	3	AF ASSY	AWU7302
NSP	4	R- TERMINAL ASSY	AWU7317
	5	FM/AM TUNER MODULE	AXQ7065
	6	•••••	
	7	•••••	
NSP	8	Chassis M	ANA7087
	9	Rear Panel	ANC7735
NSP	10	Shield Plate	ANK7059
	11	Shield Case T	ANK7050
	12	Shield Case B	ANK7051
	13	•••••	
	14	•••••	
	15	PC Support	DEC1932
NSP	16	Spacer	AEB7092
	17	Rubber Sheet	AEB1111
	18	Leg Assy IS	AEC7202
	19	Locking Card Spacer	VEC1596
NSP	20	PCB Spacer (3 x 6)	AEC7156
	21	Screw	BBZ30P080FMC
	22	Screw	VPZ30P080FZK
	23	Connector Assy 3p	ADX7252
	24	23P F.F.C /30V	ADD7150
NSP	25	TX CONNECT ASSY	AWU7323
	26	30P F.F.C /30V	ADD7135
	27	Float Rubber	REB1328
NSP	28	Sub Chassis MD	ANA7088
	29	Shield Cover MD	ANK7053
NSP	30	MD Mechanism assy	RXA1777
	31	Float Screw	RBA1133
	32	Supporting Mold	AZN7799
	33	Screw	BBZ30P180FMC

# XC-IS21MD

## 2.5 FRONT PANEL ASSY (1/2)



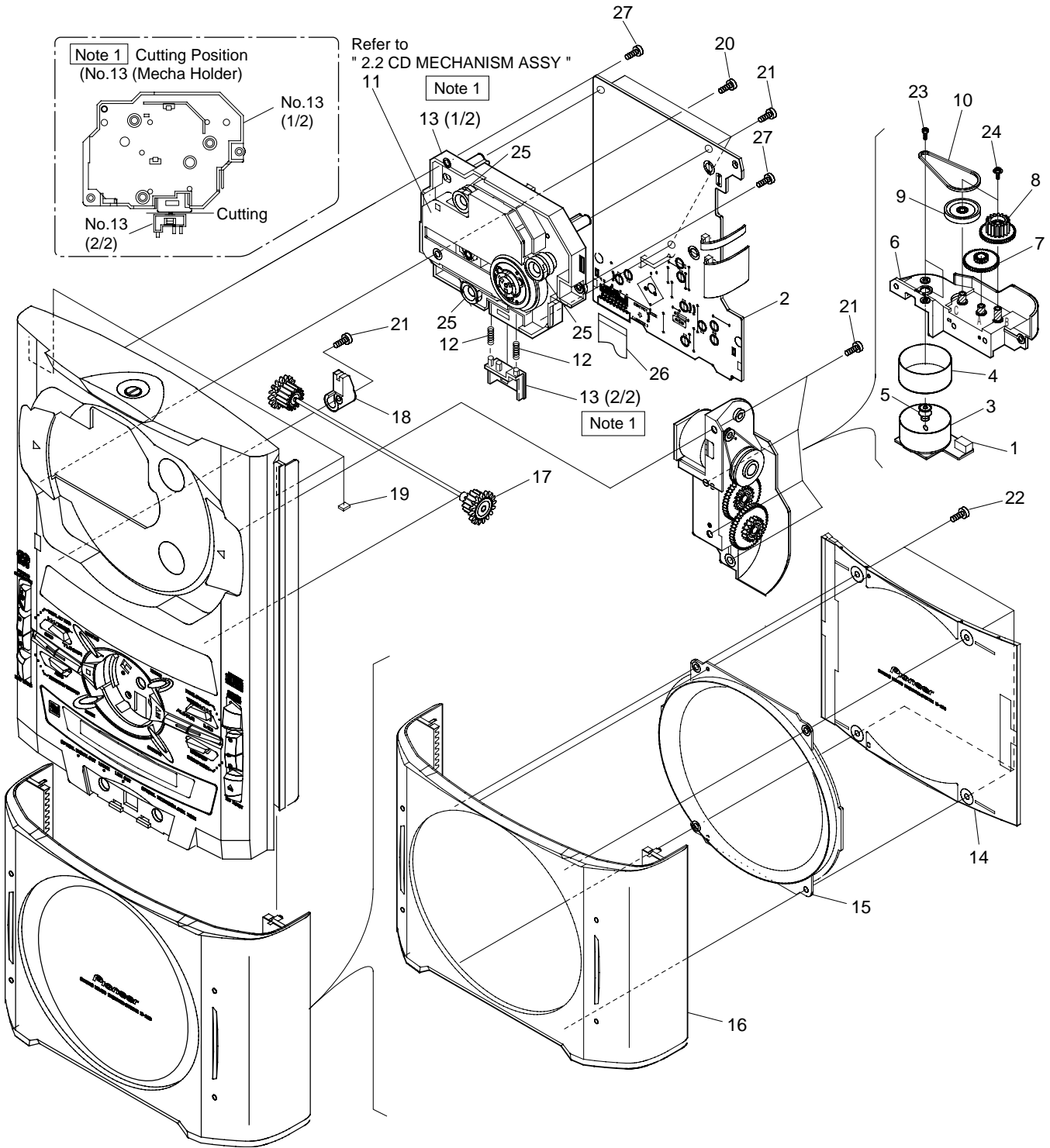


## ● FRONT PANEL ASSY (1/2) PARTS LIST

Mark	No.	Description	Parts No.
	1	FRONT PANEL ASSY	AWU7309
NSP	2	CD CLOSE SW ASSY	AWU7320
NSP	3	CD OPEN SW ASSY	AWU7319
NSP	4	F- TERMINAL ASSY	AWU7313
NSP	5	LCD ASSY (MD)	AWU7355
NSP	6	LIGHT- L ASSY	AWU7321
	7	Lens Holder M	AMR7247
	8	Lens M	AAK7615
	9	Diffusion Sheet	AAK7666
	10	Reflector	AMR7248
	11	13P F.F.C/ 30V	ADD7149
	12	•••••	
	13	Frame	ANG7235
	14	Rail	AMR7239
	15	Blind	AMR7261
	16	PCB Holder L	AMR7262
	17	PCB Holder R	AMR7263
	18	Plating Button Assy	AXG7089
	19	Fuction Button B	AAD7511
	20	Window	AAK7621
	21	Complex Button	AAD7532
	22	Plating Button A	AAD7567
	23	Function Button A	AAD7510
	24	O/C Button	AAD7506
	25	Key O/C	AAD7526
	26	Connector 3p	ADX7252
	27	Screw	IPZ30P100FMC
	28	Screw	ABA1005
	29	Screw	VPZ30P080FZK
	30	17P F.F.C/ 30V	ADD7145
	31	Front Panel Assy	AXG7075
	32	MD Flap	AAN7190
	33	MD Spring	ABH7154
	34	MD Flap Holder	AMR7236
NSP	35	MD FLAP SW ASSY	AWU7324
	36	PU Caution Label	ARW7059
	37	Screw	VPZ30P100FMC

# XC-IS21MD

## 2.6 FRONT PANEL ASSY (2/2)

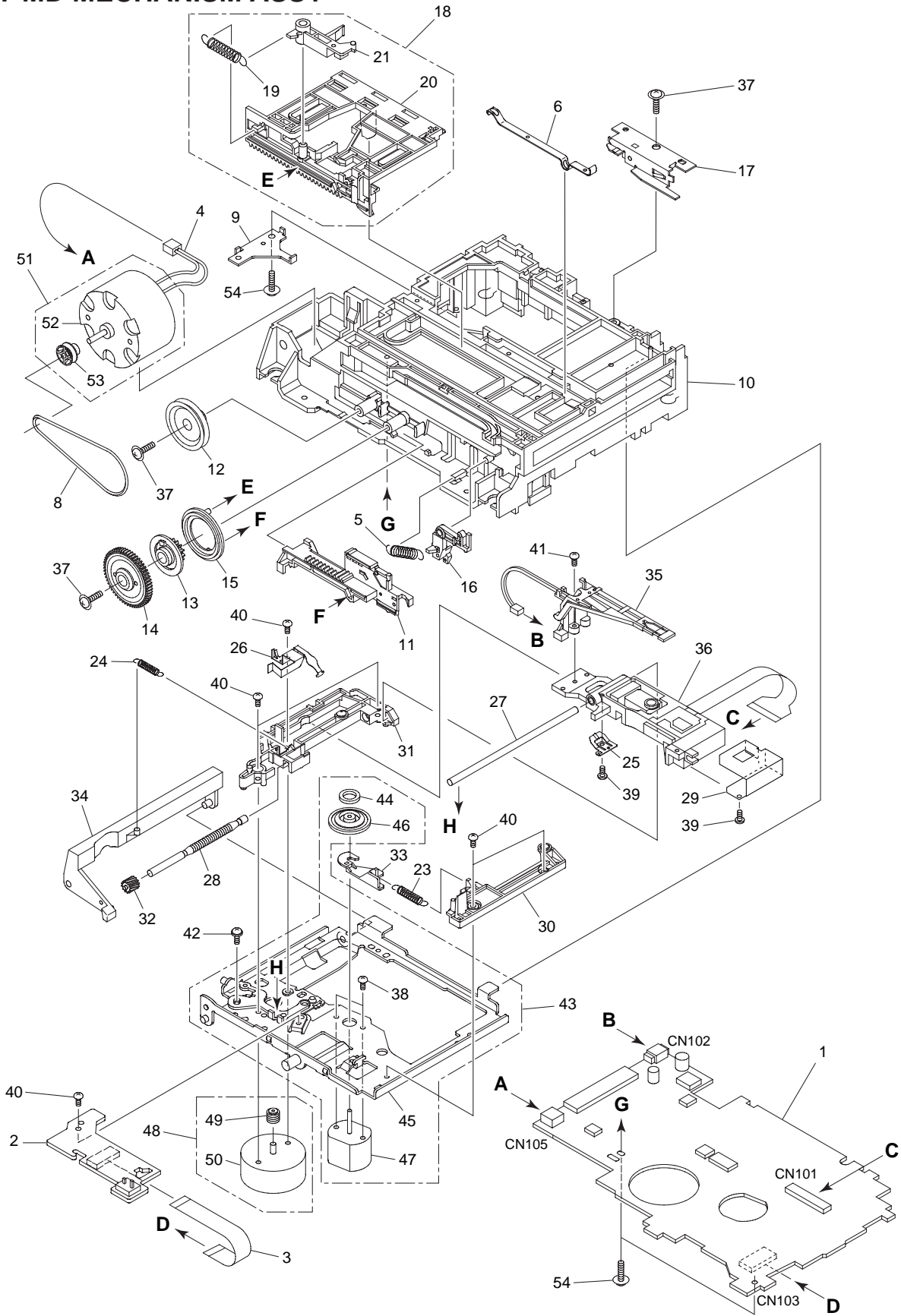


### ● FRONT PANEL ASSY (2/2) PARTS LIST

Mark	No.	Description	Parts No.
NSP	1	CD MOTOR ASSY	AWU7318
	2	CD ASSY	AWU7307
	3	Slider Motor	VXM1033
	4	Motor Shield	ANK7067
	5	Motor Pulley	PNW1634
	6	Gear Holder	AMR7240
	7	Gear A	ANW7063
	8	Gear B	AMR7260
	9	Gear Pulley A	ANW7066
	10	Belt	AEB7171
	11	CD MECHANISM ASSY	KSM-620AAA
	12	Float Spring	ABH7170
	13	Mechanism Holder	AMR7242
	14	CD Door Window	AAK7673
	15	CD Door Escutcheon	AAK7619
	16	CD Door	AAN7189
	17	Shaft Assy	AXG7078
	18	Shaft Holder	AMR7237
	19	Cussion Rubber	AEB7154
	20	Screw	BBZ30P080FMC
	21	Screw	VPZ30P080FZK
	22	Screw	ABA7054
	23	Screw	PMZ26P040FMC
	24	Screw	IPZ20P080FMC
	25	Float Rubber	AEB7129
	26	17P F.F.C/ 30V	ADD7146
	27	Screw	VPZ30P100FMC

# XC-IS21MD

## 2.7 MD MECHANISM ASSY



● MD MECHANISM ASSY PARTS LIST

Mark	No.	Description	Part No.	Mark	No.	Description	Part No.
NSP	1	CORE MAIN UNIT ASSY	RWZ4334	31	S. Holder	RNK2307	
	2	CORE SW UNIT ASSY	RWZ4335	32	Worm Wheel	RNK2309	
	3	Lead Card 7P	RDD1403	33	Hook	RNK2310	
	4	Lead Wire	RKP1814	34	Head Lifter	RNK2311	
	5	Lever Spring	RBH1463	35	MD Head	RPB1063	
	6	Clamp Spring 1	RBK1074	36	MD Pick-up	RWY1019	
	7	•••••		37	Screw	Z39-019	
	8	Loading Belt	REB1329	38	Screw	JFZ17P020FZK	
	9	Lock Plate	RNE1949	39	Screw	JGZ14P020FMC	
	10	Loading Base	RNK2323	40	Screw	JGZ17P028FMC	
	11	Under Slider	RNK2314	41	Screw	JGZ17P040FMC	
	12	Gear Pulley	RNK2316	42	Screw	PMB20P040FMC	
	13	Drive Gear	RNK2317	43	Servo Base Assy	REA1283	
	14	Clutch Gear	RNK2318	NSP 44	Clamp Magnet	RMF1002	
	15	Flip Disk	RNK2319	NSP 45	Servo Base	RNE1951	
NSP	16	SW Lever	RNK2320	NSP 46	Disc Table	RNK2305	
	17	Shutter Assy	RXA1774	NSP 47	Spindle Motor	RXM1091	
	18	Upper Slider Assy	RXA1782	48	Carriage Motor Assy	REA1284	
	19	Eject Spring	RBH1461	49	Worm	RNK2308	
	20	Upper Slider	RNK2324	NSP 50	Carriage Motor	RXM1090	
	21	Carrier	RNK2315	51	Loading Motor Assy	REA1290	
	22	•••••		52	DC Motor /0.75W	PXM1010	
	23	Spindle Spring	RBH1460	53	CA Pulley	RNK2322	
	24	Lifter Spring	RBH1462	54	Screw	BPZ20P080FMC	
	25	Screw Guide	RBK1072				
26	S. H. Spring	RBK1073					
27	Guide Shaft	RLA1312					
28	Lead Screw	RLA1311					
29	Shield Case	RNE1950					
30	Reference Plate	RNK2306					