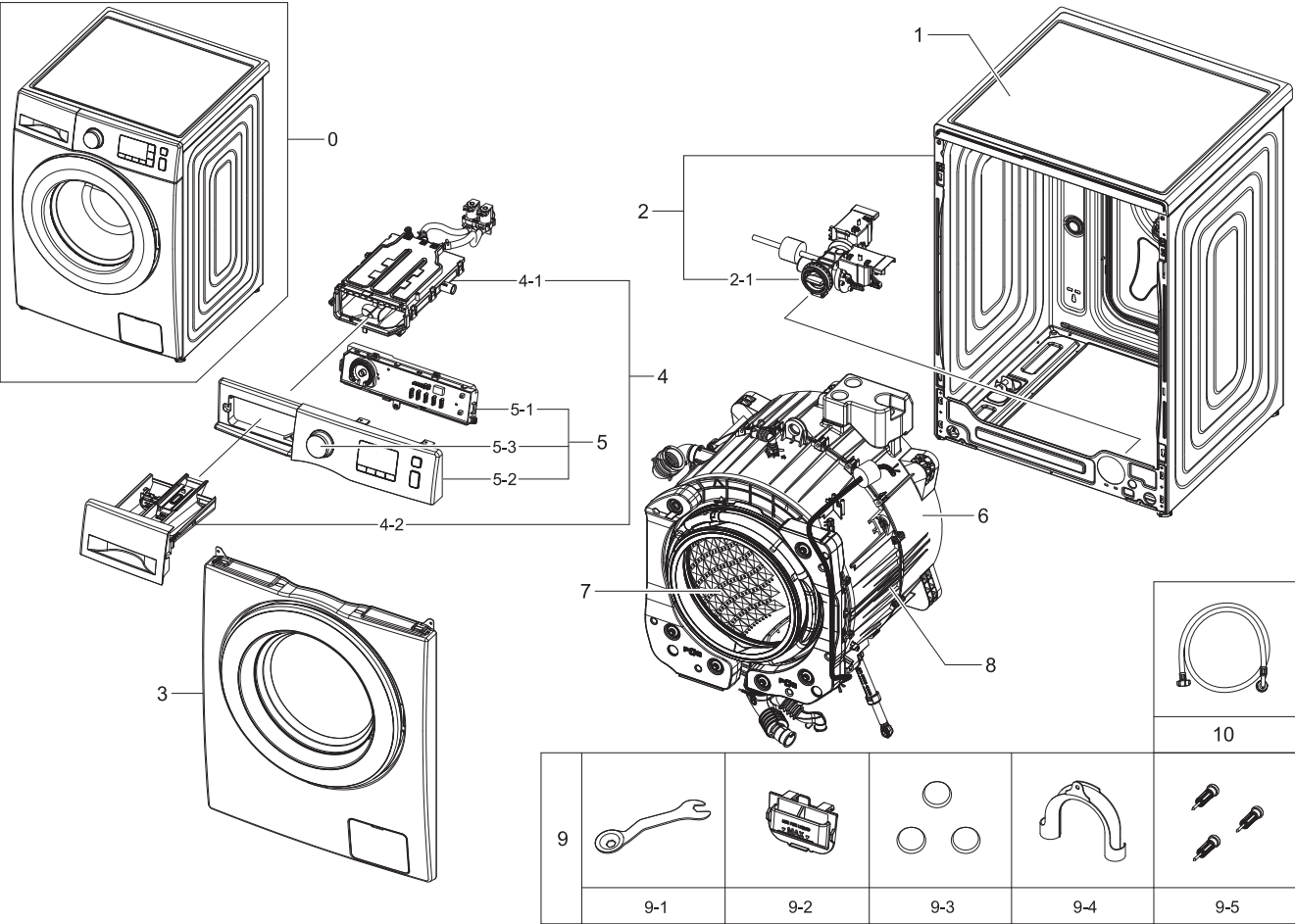


# 1. Main

## Exploded View

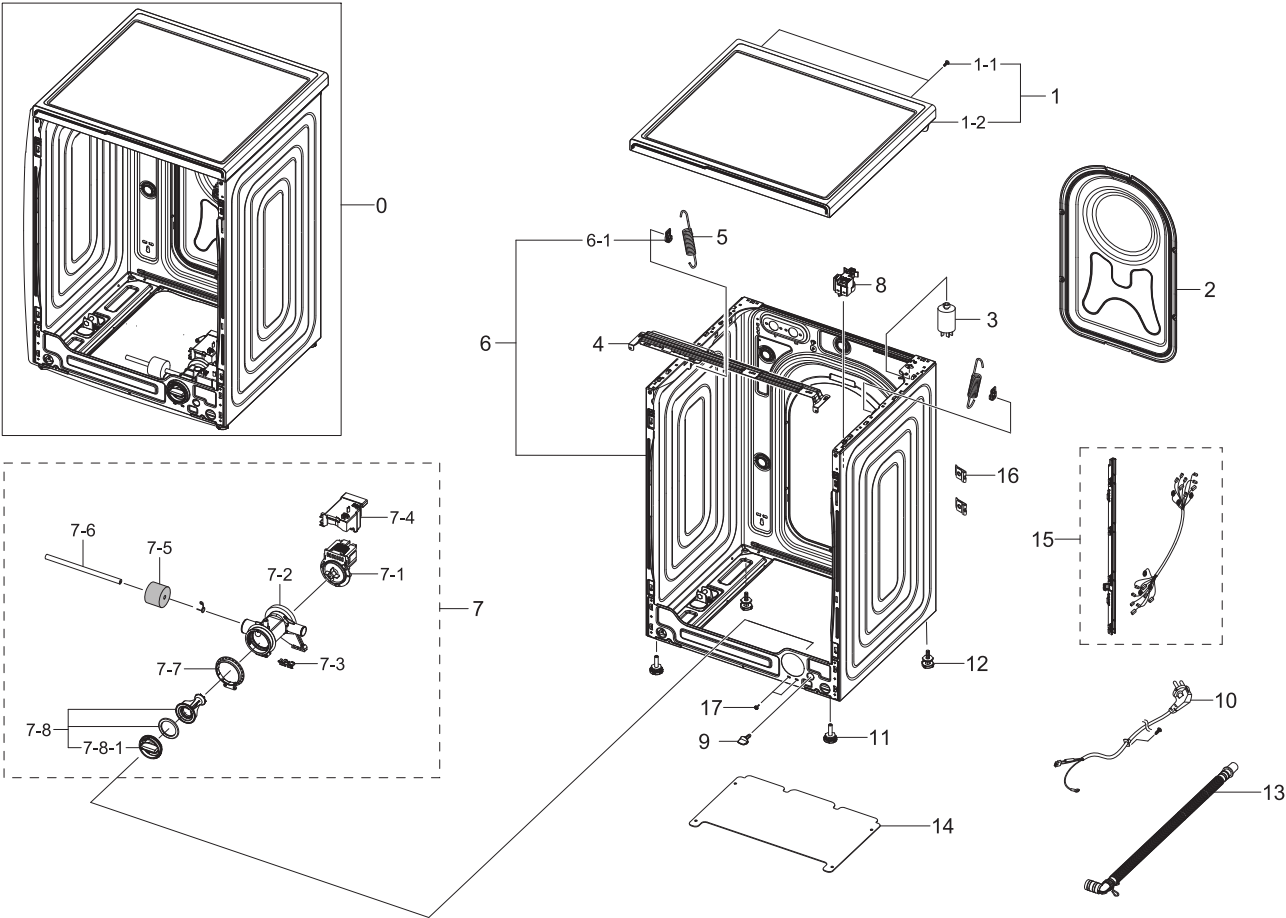


## Parts List

No.	Lvl.	Loc.	Material Code	Description & Specification	SNA	Qty.
				F500E,WF80F50FU4W,PP	SA	1
				8K	SA	1
				S	SA	1

# 2. Assy Frame&Cover Parts

## Exploded View

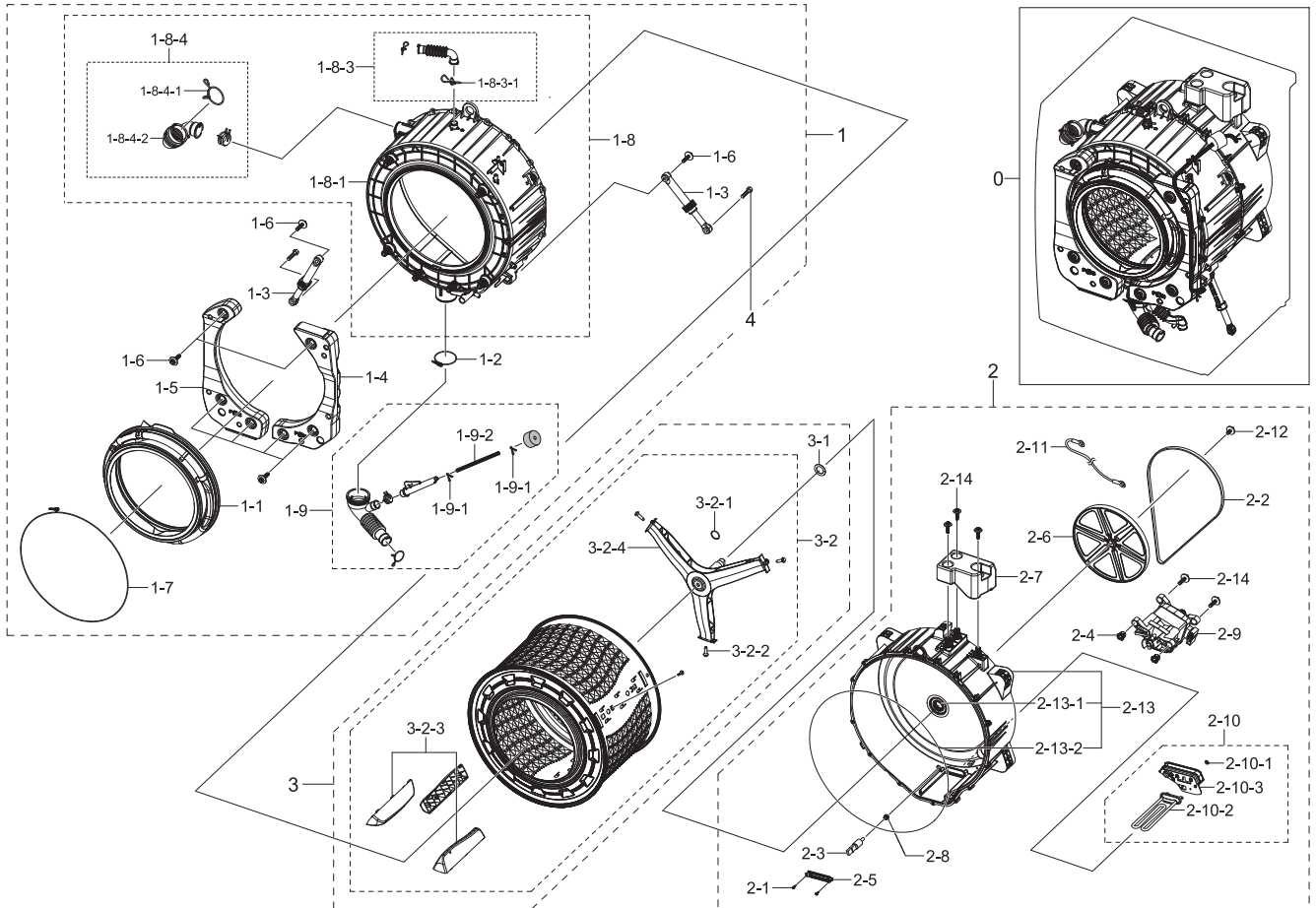


## Parts List

No.	Lvl.	Loc.	Material Code	Description & Specification	SNA	Qty.
				HEX,+,M5,L10,Ni-Zn(WHT),SWRCH1	SA	2
				PJT,HSWR-SWRH,CD	SA	2
				WHITE,COLD,UNI,NBB	SA	1
				WF448AAG/XXA,POM,T4,W24,L36	SA	2

# 3. Assy Tub&Drum

## Exploded View

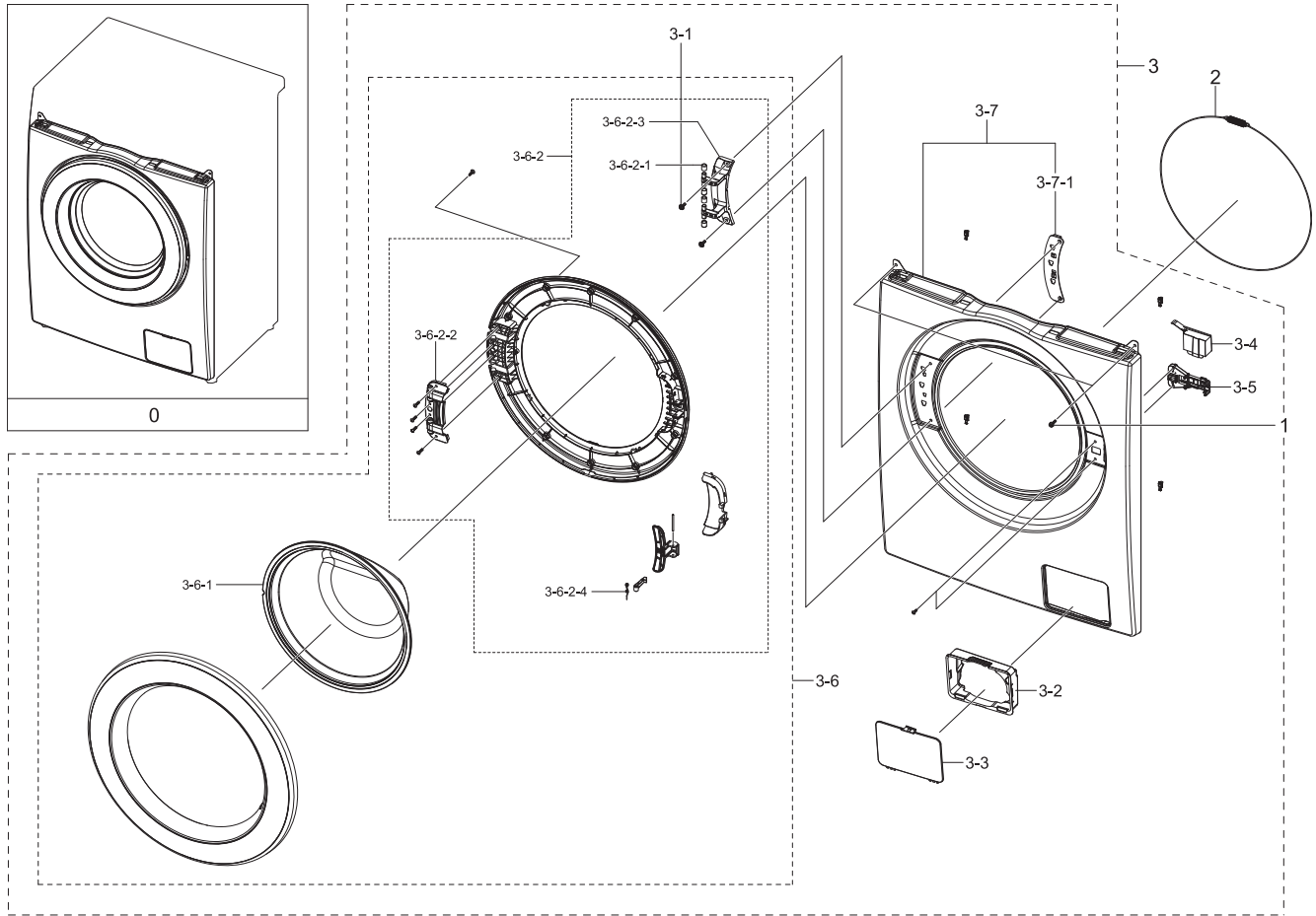


## Parts List

No.	Lvl.	Loc.	Material Code	Description & Specification	SNA	Qty.
				WF80F5E5U4W,TPE,T2.4,H80.	SA	1
				PJT,HSWR-SWRH,ID	SA	1
				HEBA,STEEL+PP+RUBBER,80N,W2	SA	2
				F500,CONCRETE,NATU	SA	1
				F500,CONCRETE,NATUR	SA	1
				MOTOR/BOLT(M8)+WASHER(OD27.5),	SA	8
				WF8804DP,OD2.0/L124	SA	1

# 4. Assy Front

## Exploded View

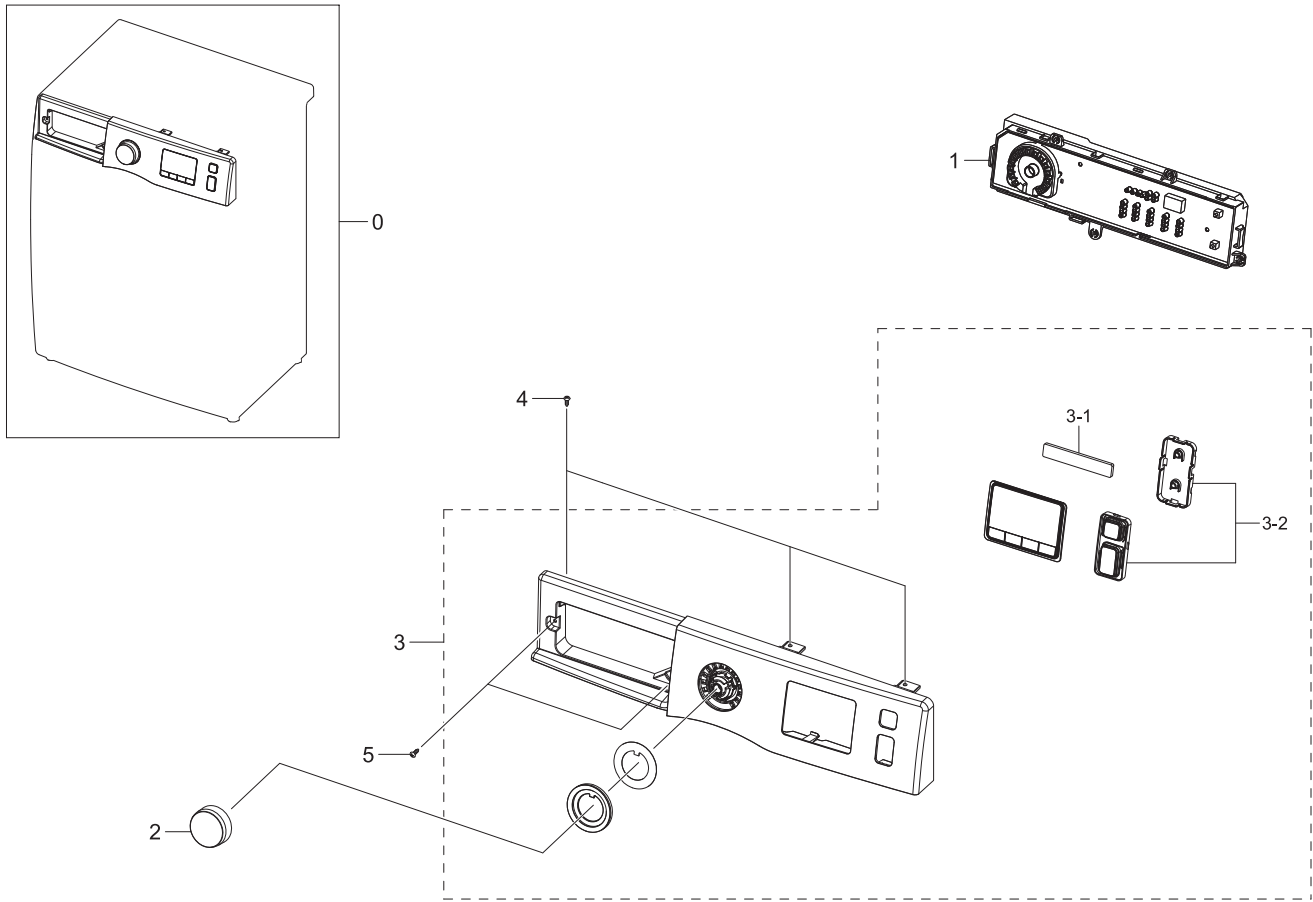


## Parts List

					SA	2
					SA	2
					SA	1
					SA	1
					SA	1

# 5. Assy Panel Control

## Exploded View

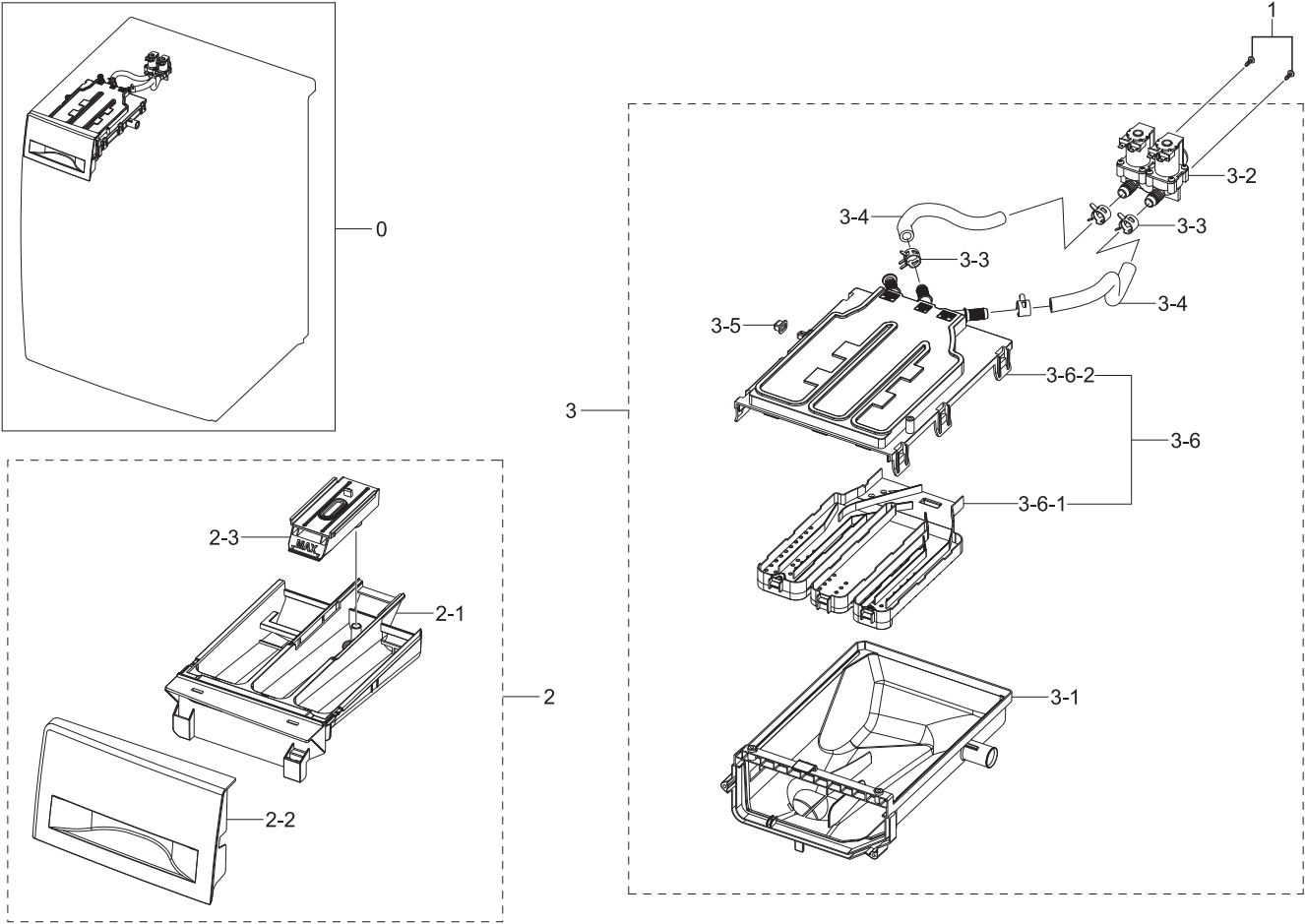


## Parts List

No.	Lvl.	Loc.	Material Code	Description & Specification	SNA	Qty.
				8K	SA	1
				S	SA	1
				SENSOR,WW4/3000J,5KEY	SA	1
				TH,+,-,2,M4,L12,ZPC(WHT),S	SNA	3
				TH,+,NO,2,M4,L18,PASS,STS4	SNA	2

# 6. Assy Drawer

## Exploded View

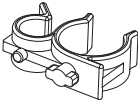



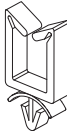
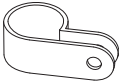





## Parts List

No.	Lvl.	Loc.	Material Code	Description & Specification	SNA	Qty.
				TH,+,-,S,M4,L8,ZPC(WHT),SW	SC	2
				WHITE,WT0035,	SA	1
				WF-F500E,ABS,-,HG-0760GP,DA	SA	1
				F500E,WF80F50FU4W,PP	SA	1
				WF-F500E,PP,-,WHITE,-	SA	1

# 7. Small Parts

## Exploded View

				
1	2	3	4	5
				
6	7	8	9	

## Parts List

			P1291,PP,-,HOSE+PLUG,BJ	SA	1
			P1291,PA66,NATURAL,NC0001	SA	1
			DAWH-2NC,PA66,-,NATURAL,-	SA	3
			DAWH-3ND,PA66,NTR(PI24.4)/NY	SA	1
			PA66,-,NATURAL,-,101F,NC0001	SA	6
			HEBA-PJT,PA,-,NATURAL,-,2110	SA	1