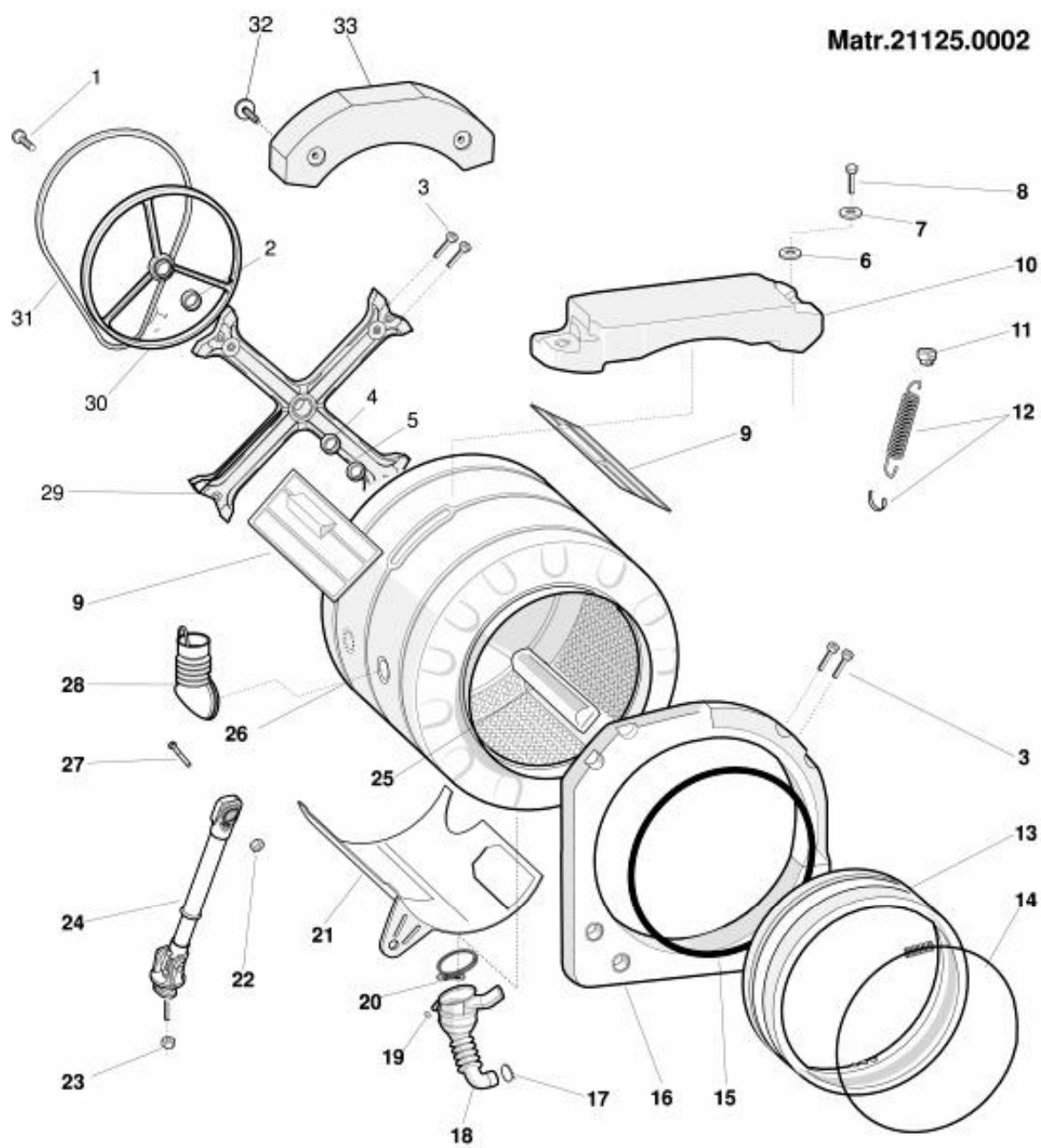


1140230

Explosionszeichnung



1140230

1140230

Ersatzteilliste

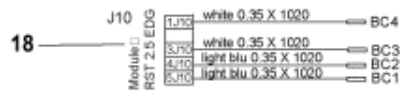
| Ref. | Ersatzteilco | Ab S/N | Bis S/N | Ersatz | Beschreibung | Notizencode | Industrie-code |
|------|--------------|--------|---------|--------------------------------|-------------------------------------|----------------------|----------------|
| 001 | C00064786 | | | 1 x C00143260 | schrauben m8x23 torx tefl | | |
| 002 | C00013563 | | | | kugellager 25 x52 x 15 (6205-2z) | | |
| 003 | C00064785 | | | | schrauben m8x22 tb6lt | | |
| 004 | C00002591 | | | | kugellager 20x47x14 typ 6204-2z | | |
| 005 | C00096186 | | | | kreuzgestelldichtung cv4 30 x | n1040300 | n1040326 |
| 008 | C00088408 | | | | schraube + unterlegscheibe | | |
| 009 | C00080761 | | | 1 x C00064517 | gehaeusestrebe oben dx wd dx/sx- | | |
| 010 | C00064548 | | | | gegengewicht oben 11 kg | | |
| 011 | C00064515 | | | | federring (-aufnahme) | | |
| 012 | C00064502 | | | | bottichfeder | | |
| 013 | C00110326 | | | | tuermanschette d=30-30 cm | | |
| 014 | C00092156 | | | | vorderer spannring | | |
| 015 | C00092155 | | | | spannring f. tuermanschette innen | | |
| 016 | C00092178 | | | | ausgleichsgewicht | | |
| 017 | C00092411 | | | | schlauchklemme | | |
| 018 | C00092174 | | | | schlauch (bottich-pumpe) oko | | |
| 019 | C00092412 | | | | schlauchklemme | | |
| 020 | C00091148 | | | 1 x C00094908 | schelle d=79 mm | | |
| 021 | C00093848 | | | | bottichaufnahme | n1040325 | |
| 022 | C00030443 | | | 1 x C00047136 | mutter m8 | | |
| 023 | C00065152 | | | | mutter romob m6x20x1,6 | | |
| 024 | C00093884 | | | | stosshaempfer 80 n 8.15 mm | n1040325 | |
| 025 | C00064789 | | | | trommelrippe mit | | |
| 026 | C00094279 | | | 1 x C00094275 1 x C00094278 | bottich komplett 46 l. evo ii | n1040300 n1040371 | |
| 027 | C00093750 | | | | schraube verzinkung m8x40 | n1040325 | |
| 028 | C00092161 | | | | schlauch (einsp.-bottich) | | |
| 029 | C00096077 | | | | kreuzgestell | n1040300 | |
| 030 | C00074211 | | | | trommelriemenscheibe d=210 | | |
| 031 | C00074218 | | | | keilriemen l=1046 - 1051 mm h8 | | |
| 099 | C00001109 | | | | loctite 270 10 gr. (sicherungslack) | | |
| 099 | C00033026 | | | | schmierfettpackung amblyg.a100 | | |

1140960

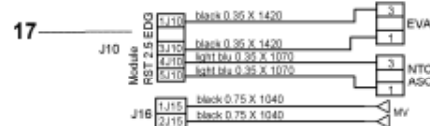
Explosionszeichnung

The new wiring when fitted, must be securely attached to the machine wiring with insulating tape.

Matr. 61116.0001



WIRING P = DRUM BLOCK COD. C00141995



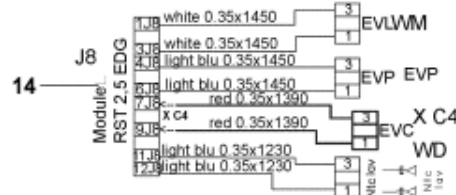
WIRING F = EVA+NTCAS / WIRING G = MTV COD. C00141769



WIRING P = DRUM BLOCK COD. C00112822



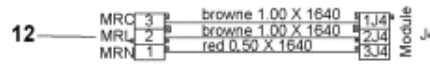
WIRING B2 = DISPLAY CONNECTION COD. C00111227



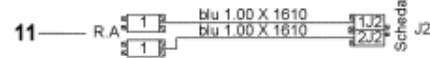
WIRING C1(WM) C3(WD) = EVL + EVP COD. C00093713
WIRING C4 (WD) = EVL + EVP + EVC COD. C00109950



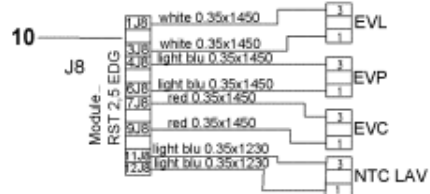
WIRING D = INTERLOCK. + MICRO SWTCH COD. C00093714



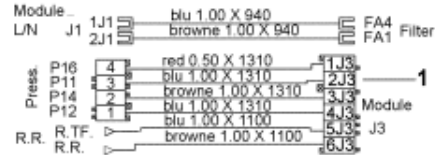
WIRING D1 = INTERLOCK. COD. C00093715



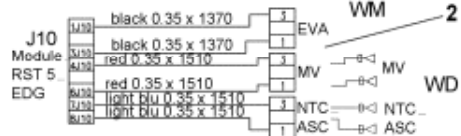
WIRING H = DRYING ELEMENT COD. C00093716



WIRING C = EVL + EVP + EVC COD. C00093724



WIRING A COD.C00141139 (ex C00093722)

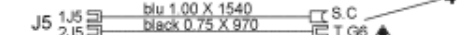


WIRING F = EVA + MV + NTCAS COD.C00093717

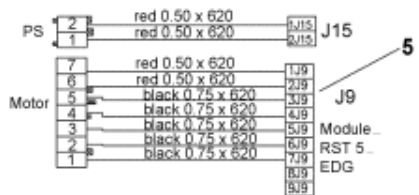


WIRING L = MOTOR + PUMP COD. C00093718

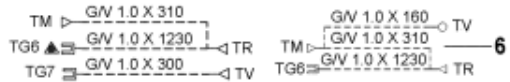
WIRING L1 (TL) = MOTOR + PUMP COD. C00195340



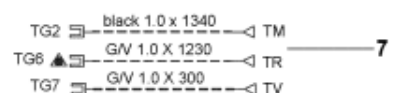
WIRING I = CONDUCTIVITI SENSOR COD. C00093725



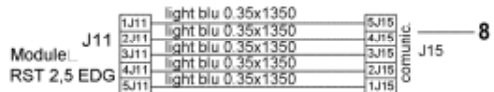
WIRING N = MOTOR + PUMP COD. C00093719



WIRING X = EART STD MACHCINE COD. C00093720



WIRING Y = EART TRI-PHASE MACHCINE COD. C00093721



WIRING B1 = MAIN-DISPLAY CONNECTION COD. C00093726



WIRING B = SELECTION CONNECTION COD. C00093723

1140960

1140960

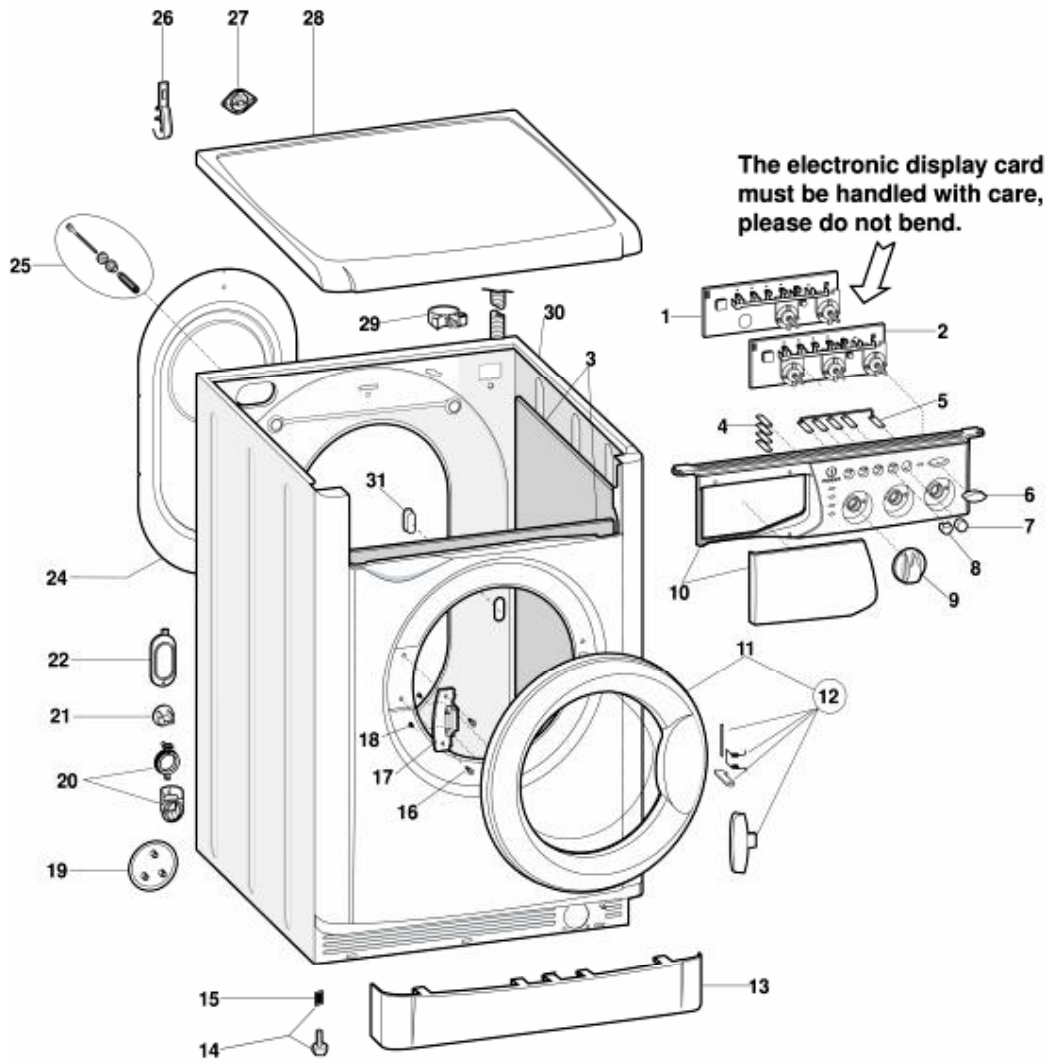
Ersatzteilliste

| Ref. | Ersatzteilco | Ab S/N | Bis S/N | Ersatz | Beschreibung | Notizencode | Industrie-code |
|------|--------------|--------|---------|---------------|---------------------------------|-------------|----------------|
| 001 | C00093722 | | | 1 x C00141139 | verkabelung base a 240000700a0 | | |
| 003 | C00093718 | | | | verkabelung ml + ps 24000070010 | | |
| 006 | C00093720 | | | | verkabelung terra standard | | |
| 008 | C00093726 | | | | verkabelung comunic. display | | |
| 012 | C00093715 | | | | verkabelung mr 240000700d1 | | |
| 014 | C00093713 | | | | verkabelung evl + evp 24000070 | | |

1180160

Explosionszeichnung

Matr. 30901.0001



1180160

1180160

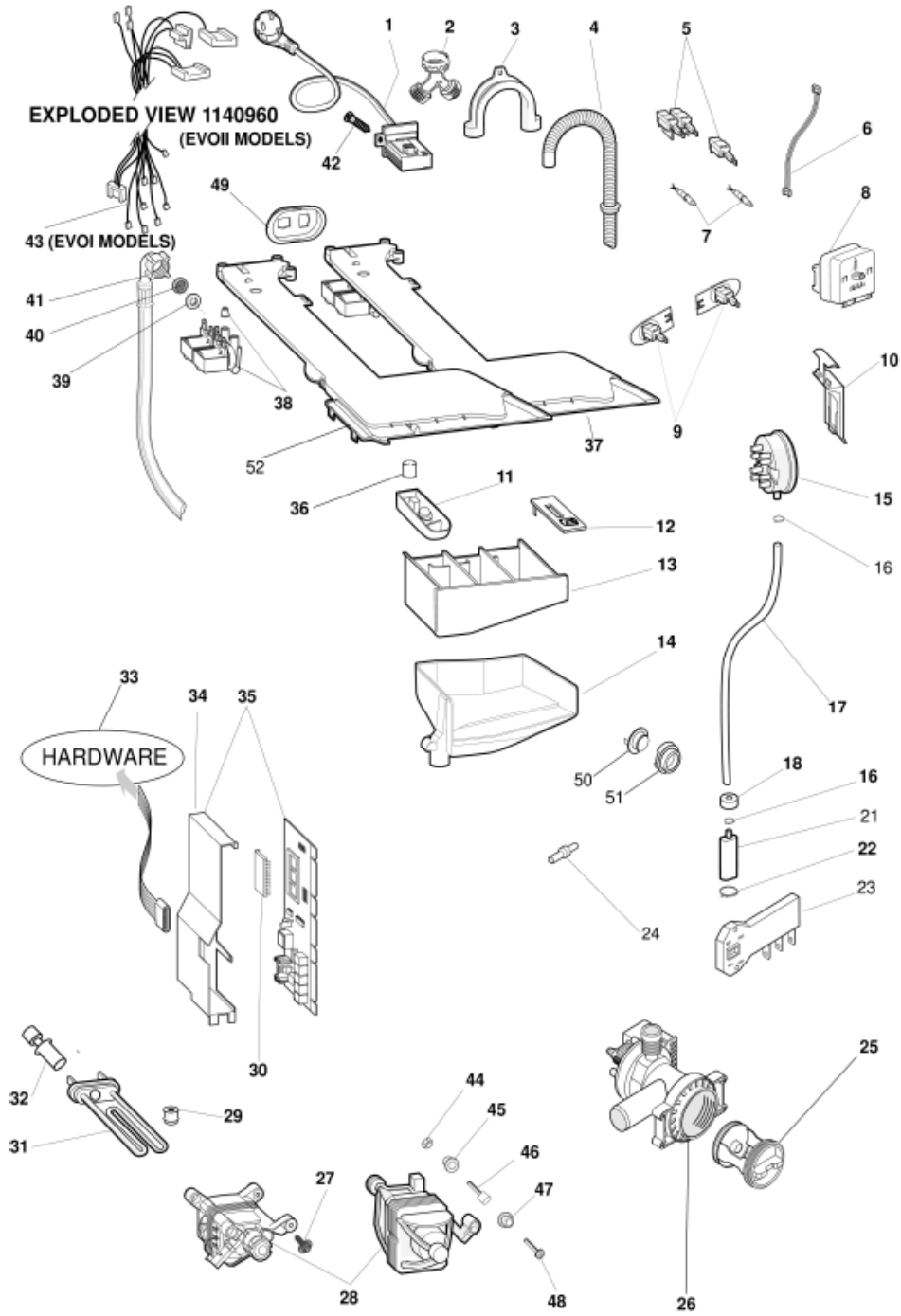
Ersatzteilliste

| Ref. | Ersatzteilco | Ab S/N | Bis S/N | Ersatz | Beschreibung | Notizencode | Industrie-code |
|------|--------------|--------|---------|---------------|-------------------------------------|-------------|----------------|
| 000 | C00117458 | | | | bedienungsanleitungen fr | | |
| 002 | C00111959 | | | 1 x C00143082 | buchse fuer kontrol led 3 knebel | n1040375 | |
| 002 | C00141152 | | | 1 x C00143332 | buchse fuer kontrol led 3 knebel | | |
| 003 | C00084519 | | | 1 x C00143376 | daemmplatte front | | |
| 004 | C00097012 | | | | lampekappe vertikal indes.evoii | | |
| 005 | C00097011 | | | | lampekappe horizontals | | |
| 006 | C00116243 | | | | taste b pw on/off ind.comun.evoii | | |
| 007 | C00116245 | | | | taste weiss pw | | |
| 008 | C00116244 | | | | taste weiss pw ind.evoii comun | | |
| 009 | C00115924 | | | | knebel komponente weiss pw ind. | | |
| 010 | C00116505 | | | | belde + schubladegriff pw wil13fr | | |
| 011 | C00115842 | | | | fenster komplett pw evo ii indesit | | |
| 012 | C00096865 | | | | sichtfenstergriff kit evo ii indes. | | |
| 013 | C00116556 | | | | sockel weiss pw ind. comun. evonii | | |
| 014 | C00087084 | | | | fuss verstellbar m8 h = 2,3 cm | | |
| 015 | C00083828 | | | | feder f. fuss d =11 mm h = 8,5 mm | | |
| 016 | C00096210 | | | | selbstschneidende schraube testfr | | |
| 017 | C00075325 | | | | tuerschamier | | |
| 018 | C00065185 | | | | schraube m4,5 x 11 | | |
| 019 | C00089803 | | | | lochabdeckung d = 53 mm | | |
| 020 | C00046666 | | | | schelle f. ablaufschlauch | | |
| 021 | C00065871 | | | | lochabdeckung (blindverschluss) | | |
| 024 | C00116851 | | | 1 x C00116923 | rueckwandabdeckung weiss pw | | |
| 025 | C00077411 | | | | kit verpackungsmaterial | | |
| 028 | C00116871 | | | | arbeitsplatte weiss(pw) indesit | | |
| 029 | C00046667 | | | | schelle fixierung | | |
| 029 | C00064550 | | | | halter ablaufschlauch | | |
| 030 | C00116538 | | | | gehaeuse weiss indes. evonii pw | | |
| 031 | C00084817 | | | | abdeckung | | |

1180330

Explosionszeichnung

Matr. 30901.0005



1180330

1180330

Ersatzteilliste

| Ref. | Ersatzteilco | Ab S/N | Bis S/N | Ersatz | Beschreibung | Notizencode | Industrie-code |
|------|--------------|--------|---------|---------------|-----------------------------------|-------------|----------------|
| 001 | C00091633 | | | | netzanschlusskabel 3x1 1,5m + | | |
| 003 | C00019902 | | | | kruemmer f. spiral-ablaufschlauch | | |
| 004 | C00027466 | | | | spiral-ablaufschlauch 3/4" | | |
| 010 | C00064537 | | | | halter f. niveauschlauch | | |
| 012 | C00047069 | | | 1 x C00097834 | saugheber f.additive | | |
| 013 | C00097732 | | | | waschmitteleinspuelkammer kpl. | | |
| 014 | C00092314 | | | | einspuelbehaelter | | |
| 015 | C00092151 | | | | einwasserstand pressost. 78-50+ | n1040299 | |
| 016 | C00092412 | | | | schlauchklemme | | |
| 017 | C00092170 | | | | tuyau pressostat l=470 mm evo ii | | |
| 018 | C00019755 | | | | gummipuffer | | |
| 021 | C00092173 | | | | luftfalle x oko | | |
| 022 | C00008612 | | | | rohrklemme 34,6-36,4 | | |
| 023 | C00065185 | | | | schraube m4,5 x 11 | | |
| 023 | C00085194 | | | | tuerschalter omp 626/661 | | |
| 025 | C00045023 | | | | griff f. flusensieb | | |
| 025 | C00045025 | | | | flusensiebdichtung | | |
| 025 | C00045027 | | | | flusensieb kit | n1040376 | |
| 025 | C00141034 | | | | flusensieb kit askoll/plaset | | |
| 026 | C00119307 | | | | ablaufpumpe 220-240v./50hz | | |
| 028 | C00097255 | | | | buerste kollektormotor ceset 6170 | | |
| 028 | C00097256 | | | | tachogenerator f. motor ceset | | |
| 028 | C00116111 | | | | motor 1400 u./min cast.alf | | |
| 029 | C00058523 | | | | kit heizungfuehrung | | |
| 030 | C00117403 | | | | EEPROM wil13frco evoii s/w | | |
| 031 | C00087188 | | | | heizung + trockengehschutz | n1040300 | |
| 032 | C00083915 | | | | sonde f. temperatur ntc elth | | |
| 033 | C00066292 | | | | flachzange (extrationspinzette) | | |
| 033 | C00084943 | | | 1 x C00099862 | satz kabel lb2000 - pc | n1040317 | |
| 033 | C00095669 | | | | sicherheitsschluessel autotest | n1040317 | |
| 034 | C00091908 | | | | halter f. elektronik st | | |
| 034 | C00091909 | | | | abdeckung avd | | |
| 035 | C00143056 | | | | modul (elektronik) sth | | |
| 038 | C00064534 | | | | dichtung | | |
| 038 | C00110333 | | | | zweiwegiges elektroventil 7 | | |

1180330

Ersatzteilliste

| Ref. | Ersatzteilco | Ab S/N | Bis S/N | Ersatz | Beschreibung | Notizencode | Industrie-code |
|------|--------------|--------|---------|--------|---------------------------------|-------------|----------------|
| 039 | C00005572 | | | | dichtung f. zulaufschlauch 3/4" | | |
| 040 | C00005781 | | | | filterdichtung (sieb) | | |
| 041 | C00003070 | | | | zulaufschlauch 1,5 m rohs | | |
| 042 | C00092348 | | | | schraube (selbstkratzend) 3,5x8 | | |
| 044 | C00040932 | | | | selbstsichernde mutter m6 | | |
| 046 | C00088372 | | | | hebel motor | | |
| 047 | C00074151 | | | | haltebuchse f. motor | | |
| 048 | C00084029 | | | | schraube motor m6x34 | | |
| 049 | C00064946 | | | | lagerung magnetventil 1 ev | | |
| 052 | C00116891 | | | | deckel f. einspuelkammer | | |