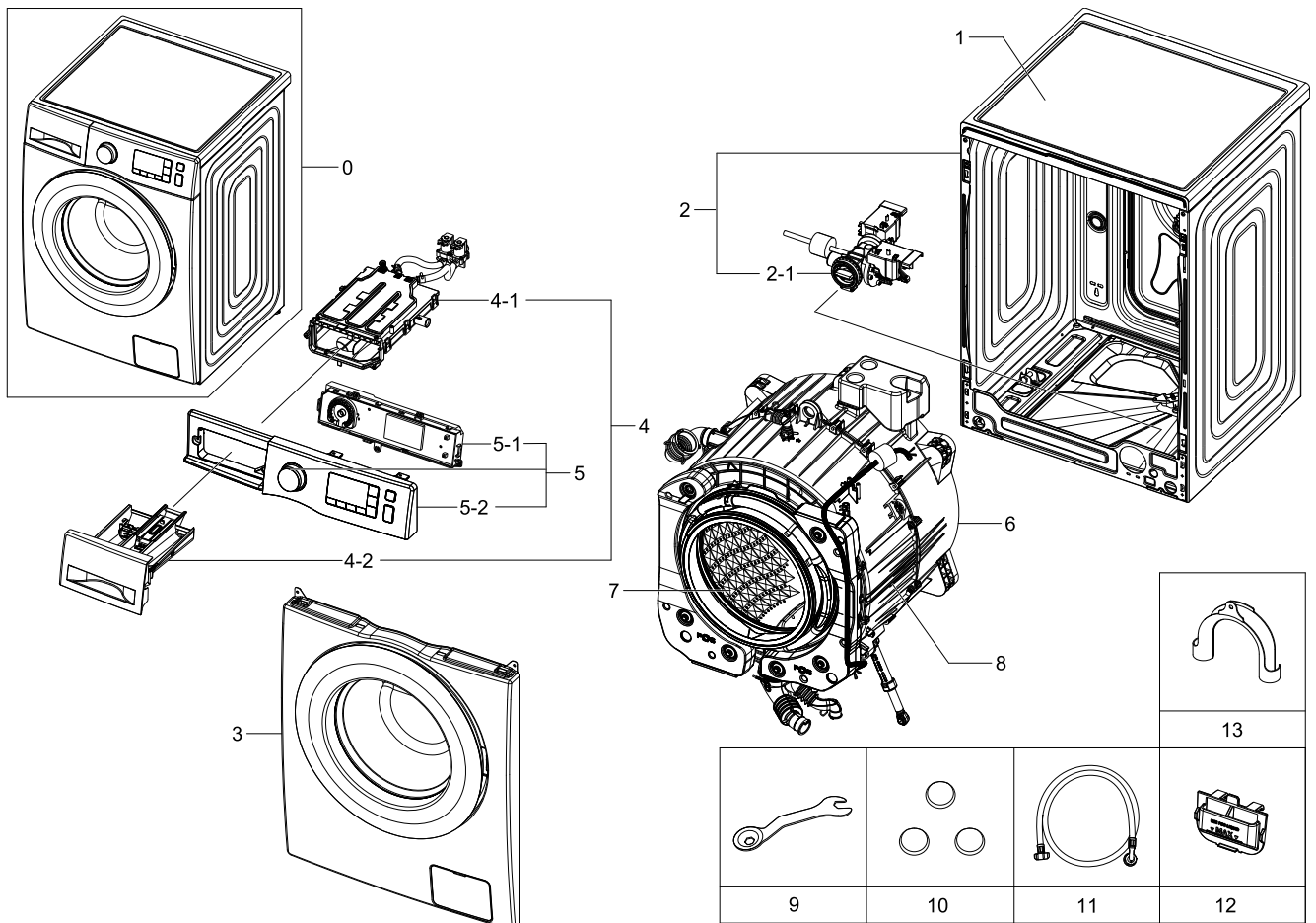


1. Main

Exploded View



Parts List

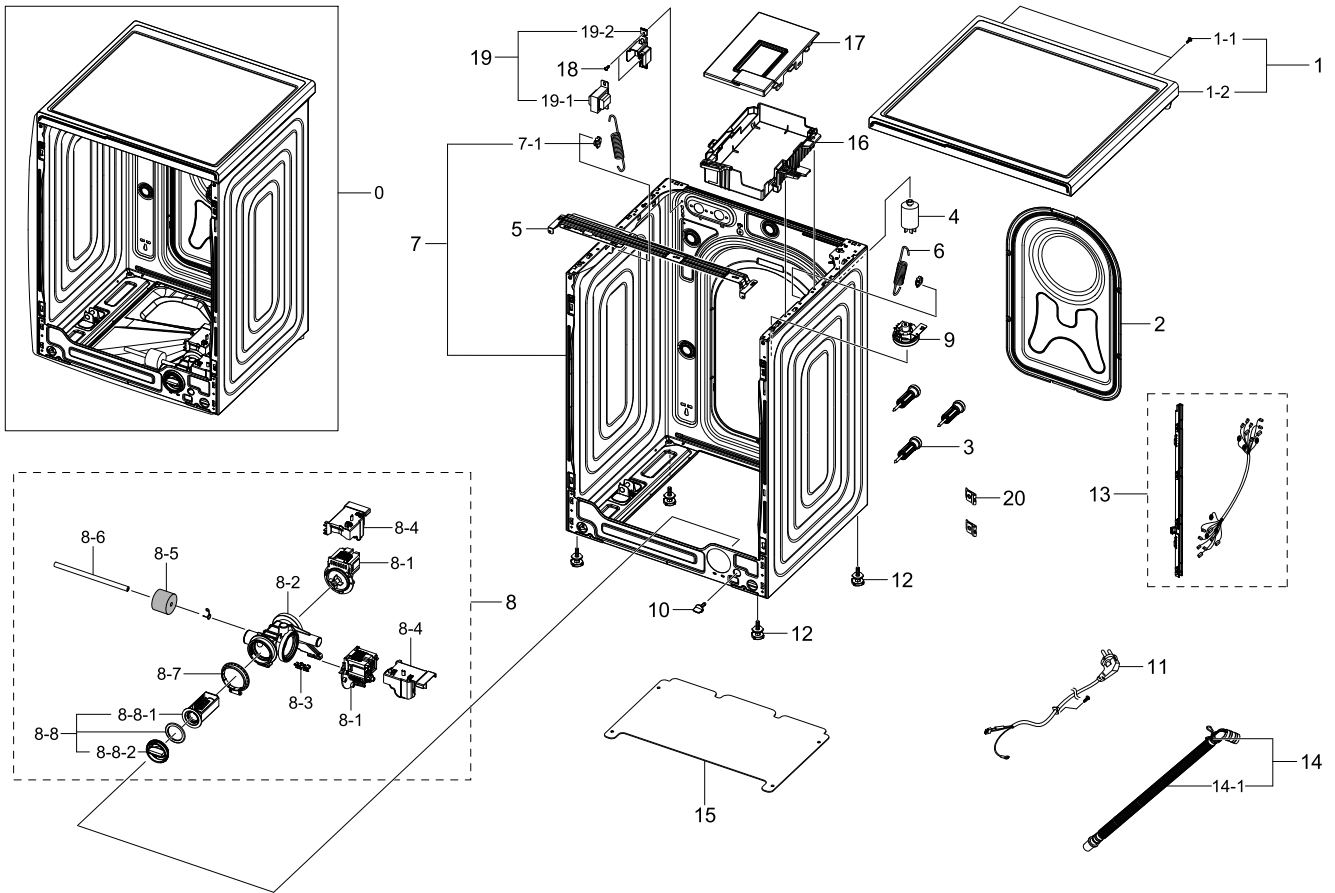
| No. | Lvl. | Loc. | Material Code | Description & Specification | SNA | Qty. |
|-----|------|-------|---------------|--|-----|------|
| 1 | 1 | W0183 | DC90-12366A | ASSY COVER TOP; F500E,WF80F5E5U4W/EF | SNA | 1 |
| 2 | 1 | W0506 | DC90-12371A | ASSY FRAME; F500E,WF80F5E5U4W/EF | SNA | 1 |
| 2-1 | 2 | W0194 | DC97-17336A | ASSY PUMP DRAIN; F500E,WF80F5E5U4W/EF,AL- | SA | 1 |
| 3 | 1 | | DC90-12807A | ASSY FRONT; WHITE,WHITE,F500 | SNA | 1 |
| 4 | 1 | W0216 | DC90-12367A | ASSY DRAWER; F500E,WF80F5E5U4W/EF | SNA | 1 |
| 4-1 | 2 | W0163 | DC97-17311A | ASSY HOUSING DRAWER; F500E,WF80F50FU4W,PP | SA | 1 |
| 4-2 | 2 | W0216 | DC97-17310A | ASSY DRAWER; F500E,WF80F50FU4W,8kg, DA WH | SA | 1 |
| 5 | 1 | W0478 | DC90-12836A | ASSY PANEL CONTROL; F500,WF70F5E3U4W/EF | SNA | 1 |
| 5-1 | 2 | W0469 | DC92-01240C | ASSY PCB SUB; ASSY PCB SUB,F500,N,-,-,-,D | SA | 1 |
| 5-2 | 2 | W0478 | DC97-17396M | ASSY PANEL CONTROL; WF70F5E5W4W/EF,French | SNA | 1 |

Exploded Views and Parts List

| No. | Lvl. | Loc. | Material Code | Description & Specification | SNA | Qty. |
|-----|------|-------|---------------|--|-----|------|
| 6 | 1 | W0501 | DC90-12839A | ASSY TUB BACK; F500,DIM,std,NewBolt | SNA | 1 |
| 7 | 1 | W0165 | DC90-12363A | ASSY DRUM; F500E,WF80F5E5U4W/EF | SNA | 1 |
| 8 | 1 | G0048 | DC90-12369A | ASSY TUB FRONT; F500E,WF80F5E5U4W/EF | SNA | 1 |
| 9 | 2 | W0611 | DC60-40146A | BOLT SPANER; CR,T2.5,- | SA | 1 |
| 10 | 2 | W0614 | DC67-00307A | CAP-FIXER; WF438AAC/XAA,PP,T1.5,RECYCLE,B | SC | 3 |
| 11 | 2 | W0757 | DC97-17845A | ASSY HOSE WATER; COLD,ALL MODEL | SA | 1 |
| 12 | 2 | | DC61-03510A | GUIDE LIQUID; WF-F500E,PP,-,-,FC2305,ECO | SA | 1 |
| 13 | 2 | W0626 | DC67-00357A | HOSE-HANGER; SEM,PP,ID24.13,-,T2.0,-,GRY, | SNA | 1 |

2. Assy Frame&Cover Parts

Exploded View



Parts List

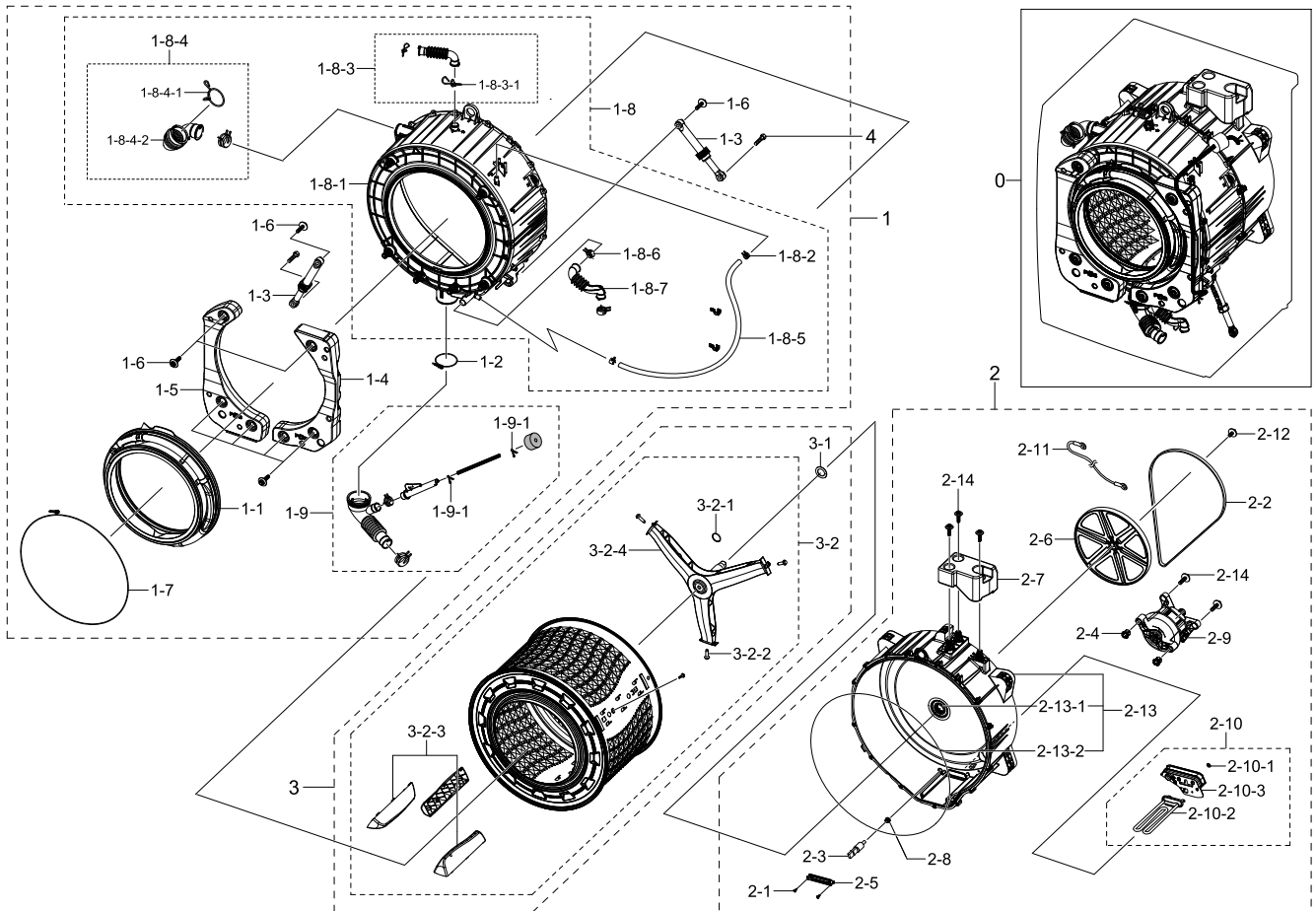
| No. | Lvl. | Loc. | Material Code | Description & Specification | SNA | Qty. |
|-----|------|-------|---------------|--|-----|------|
| 1 | 1 | W0183 | DC90-12366A | ASSY COVER TOP; F500E,WF80F5E5U4W/EF | SNA | 1 |
| 1-1 | 2 | G0425 | 6009-001476 | SCREW-HEX; HEX,+,M5,L10,Ni-Zn(WHT),SWRCH1 | SA | 2 |
| 1-2 | 2 | W0183 | DC97-17254A | ASSY COVER TOP; F500,T3.5,W597.5*L534,WHI | SA | 1 |
| 2 | 2 | G0430 | DC97-15809C | ASSY COVER BACK; F400E | SA | 1 |
| 3 | 2 | W0603 | DC97-14653C | ASSY FIXER TUB; SCOUT,WF0804Y8E/XEF | SA | 3 |
| 4 | 2 | W0620 | DC29-00015G | FILTER EMI; LFT-215G,-,AC 250V,15,53*95.5 | SA | 1 |
| 5 | 2 | W0248 | DC61-03467A | FRAME PLATE-UP; WF-F500E,GI-SGCC,-,-,T1.0 | SNA | 1 |
| 6 | 2 | W0630 | DC61-02146B | SPRING ETC-HANGER; F500E PJT,HSWR-SWRH,CD | SA | 2 |
| 7 | 2 | W0506 | DC97-17325A | ASSY FRAME; F500E,WF80F5E5U4W/EF | SA | 1 |
| 7-1 | 3 | W0140 | DC61-02065A | GUIDE SPRING; WF448AAG/XXA,POM,T4,W24,L36 | SA | 2 |
| 8 | 2 | W0194 | DC97-17336A | ASSY PUMP DRAIN; F500E,WF80F5E5U4W/EF,AL- | SA | 1 |

Exploded Views and Parts List

| No. | Lvl. | Loc. | Material Code | Description & Specification | SNA | Qty. |
|-------|------|-------|---------------|--|-----|------|
| 8-1 | 3 | M0022 | DC31-00030H | PUMP-DRAIN; 220V-240V,50Hz,30W, 30mm | SA | 2 |
| 8-2 | 3 | W0479 | DC61-02271B | CASE PUMP; WF0804Y8E/XEF,PP,T2.5,W153.6,L | SA | 1 |
| 8-3 | 3 | | DC63-00905A | CUSHION PUMP; WF8802DPF/XET,NBR,-,W37.6,L | SA | 1 |
| 8-4 | 3 | W0213 | DC63-01549A | COVER PUMP; F500,PP,VO GRADE,WHT,FH44N,- | SA | 2 |
| 8-5 | 3 | W0743 | DC63-10003C | SPONGE-HOSE AIR; SWF-P12,PUR FOAM,GRY | SA | 1 |
| 8-6 | 3 | U2015 | DC67-00244C | HOSE DRAIN; WF0804Y8E,EPDM,ID6,OD11,T2.5, | SA | 1 |
| 8-7 | 3 | | DC69-01128A | PACKING-PUMP; WF8804DP,IIR,BUTYL,T2.5,HEB | SA | 1 |
| 8-8 | 3 | G0050 | DC97-15695A | ASSY FILTER; GRIFFIN-PJT,WF9804RWE,PP+EPD | SA | 1 |
| 8-8-1 | 4 | W0633 | DC63-00998A | FILTER PUMP; SCOUT-PJT,PP,-,W52.8,L93.1,- | SA | 1 |
| 8-8-2 | 4 | | DC64-01317A | HANDLE FILTER; PP,-,FC2210,-,GRAY | SA | 1 |
| 9 | 2 | W0607 | DC96-01703G | ASSY SENSOR PRESSURE; No PBA,Hook | SA | 1 |
| 10 | 2 | W0613 | DC61-10673A | CAP DRAIN; PP,-,BJ-730,- | SA | 1 |
| 11 | 2 | W0081 | DC96-00146A | ASSY POWER CORD; VDE,Flag,E.U,250V/16A,H0 | SA | 1 |
| 12 | 2 | W0606 | DC97-00920U | ASSY LEG; F500E,WF80F5E5U4W/EF,H33.5,P1.5 | SA | 4 |
| 13 | 2 | W0080 | DC93-00354A | ASSY M.GUIDE WIRE HARNESS; DRUM-M,110~240 | SA | 1 |
| 14 | 2 | W0604 | DC97-16240F | ASSY HOSE DRAIN(O); F500E,WF80F5E5U4W | SA | 1 |
| 14-1 | 3 | | DC67-00516D | HOSE DRAIN-O; F500,EPDM,ID17,T1,- | SA | 1 |
| 15 | 2 | W0629 | DC64-02912A | SHUTTER; F500E,PP,- | SNA | 1 |
| 16 | 2 | W0470 | DC92-01223A | ASSY PCB MAIN; P171,F500,MAIN PBA,230V 50 | SA | 1 |
| 17 | 2 | | DC63-01345A | COVER-PCB(M); ARNO,HIPS,NATURAL,- | SA | 1 |
| 18 | 2 | W0105 | 6002-000234 | SCREW-TAPPING; TH,+,NO,2S,M4,L16,ZPC(WHT) | SA | 2 |
| 19 | 2 | | DC93-00346A | ASSY TRANS REACTORV; F500E,220V/50Hz,220~ | SA | 1 |
| 19-1 | 3 | | DC26-00009P | COIL HARMONIC; 8.5mH,15%,EI 48mm S-30NA | SA | 1 |
| 19-2 | 3 | | DC61-03540A | BRACKET REACTOR; F500E,PP,T2.0,NTR,N/A | SA | 1 |
| 20 | 2 | | DD61-00140A | BRACKET-TAPPING; SDW-T120B,SK5,T0.6,BLK,C | SNA | 2 |

3. Assy Tub&Drum

Exploded View



Parts List

| No. | Lvl. | Loc. | Material Code | Description & Specification | SNA | Qty. |
|-----|------|-------|---------------|--|-----|------|
| 1 | 1 | G0048 | DC90-12369A | ASSY TUB FRONT; F500E,WF80F5E5U4W/EF | SNA | 1 |
| 1-1 | 2 | W0234 | DC64-02888A | DOOR DIAPHRAGM; WF80F5E5U4W,TPE,T2.4,H80. | SA | 1 |
| 1-2 | 2 | W0744 | DC65-00021A | CLAMPER HOSE-JOINT; HEBA PJT,HSWR-SWRH,ID | SA | 1 |
| 1-3 | 2 | W0618 | DC66-00531C | DAMPER SHOCK; HEBA,STEEL+PP+RUBBER,80N,W2 | SA | 2 |
| 1-4 | 2 | W0232 | DC67-00681A | WEIGHT BALANCER-RIGHT; F500,CONCRETE,NATU | SA | 1 |
| 1-5 | 2 | W0233 | DC67-00682A | WEIGHT BALANCER-LEFT; F500,CONCRETE,NATUR | SA | 1 |
| 1-6 | 2 | W0601 | DC97-14263A | ASSY BOLT; HEBA-PJT,MOTOR/BOLT(M8)+WASHER | SA | 5 |
| 1-7 | 2 | M0038 | DC97-14618A | ASSY CLAMP DIAPHRAGM; WF8804DP,OD2.0/L124 | SA | 1 |

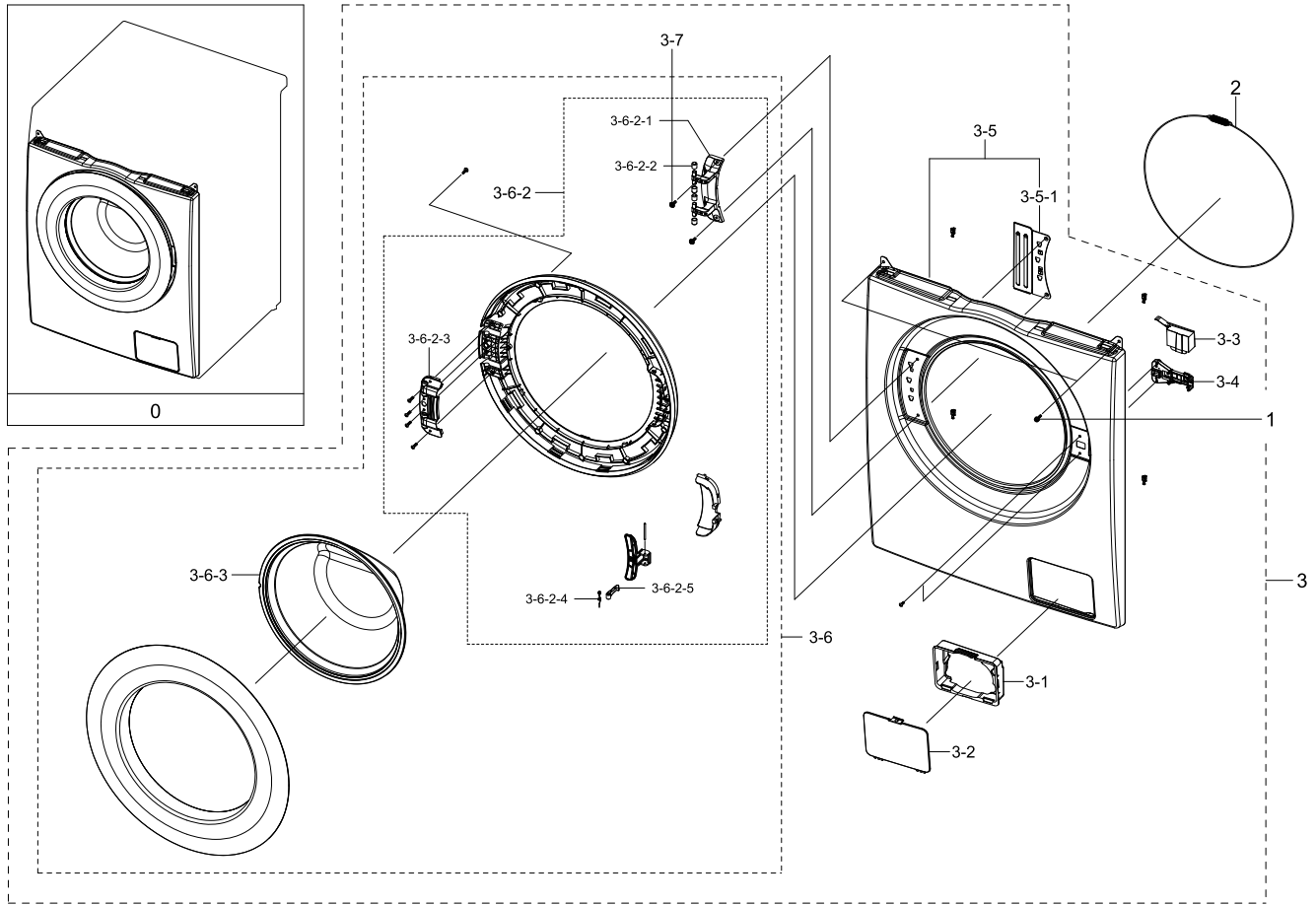
Exploded Views and Parts List

| No. | Lvl. | Loc. | Material Code | Description & Specification | SNA | Qty. |
|---------|------|-------|---------------|--|-----|------|
| 1-8 | 2 | W0636 | DC97-17327A | ASSY SEMI TUB FRONT; F500E,WF80F5E5U4W/EF | SNA | 1 |
| 1-8-1 | 3 | W0632 | DC61-03453A | TUB FRONT; F500,FRPP,OD 546.1,NTR,BUBBLE | SA | 1 |
| 1-8-2 | 3 | W0615 | DC65-00008A | CLAMPER HOSE; SEW-DR605,SK5,-,ID14.2/T0.9 | SA | 2 |
| 1-8-3 | 3 | G0422 | DC97-14873C | ASSY HOSE AIR; F500,WF80F5E5U4W | SA | 1 |
| 1-8-3-1 | 4 | F0100 | DC65-60118J | CLIP RING; HSWR-SWRH,-,PI2.0/ID23 | SNA | 2 |
| 1-8-4 | 3 | G0043 | DC97-14874C | ASSY HOSE DRAWER; HEBA BIGBANG,WF0800NCE, | SA | 1 |
| 1-8-4-1 | 4 | W0610 | DC72-00001G | CLIP RING; HEBA-PJT,HSWR-SWRH,T3.0,ID49.5 | SA | 1 |
| 1-8-4-2 | 4 | W0624 | DC67-00422A | HOSE DRAWER TUB; HEBA-PJT,EPDM,BLK | SC | 1 |
| 1-8-5 | 3 | G0052 | DC67-00471E | HOSE CIRCULATION; F500E,EPDM,ID9.0,BLK | SA | 1 |
| 1-8-6 | 3 | W0615 | DC61-00158A | CLAMPER HOSE; SW65ASP,SK5,ID23,T0.8,- | SA | 2 |
| 1-8-7 | 3 | G0053 | DC67-00671A | HOSE AIR TUB; F500,EPDM,19.3,29,T2.5,50,B | SA | 1 |
| 1-9 | 2 | W0605 | DC97-17330A | ASSY HOSE PRESSURE; F500E,WF80F5E5U4W/EF | SA | 1 |
| 1-9-1 | 3 | M0005 | DC61-70029C | CLIP RING; SEW-HW125,HSWR,WHITE | SA | 2 |
| 2 | 1 | W0501 | DC90-12839A | ASSY TUB BACK; F500,DIM,std,NewBolt | SNA | 1 |
| 2-1 | 2 | W0105 | 6002-000473 | SCREW-TAPPING; TH,+,-,NO,1,M4,L14,PASS,STS3 | SA | 2 |
| 2-2 | 2 | W0209 | 6602-001497 | BELT-TIMING GEAR; RUBBER(GATES),T3.2,1270 | SA | 1 |
| 2-3 | 2 | M0487 | DC32-00010C | THERMISTOR; 3243OHM AT 60-10~100,5,10 | SA | 1 |
| 2-4 | 2 | | DC61-02549A | BUSH MOTOR; HEBA BIGBANG,PA66+GF15%,NATUR | SA | 1 |
| 2-5 | 2 | W0230 | DC61-02874A | BRACKET HEATER; WD0704CQR,STAINLESS-STS43 | SA | 1 |
| 2-6 | 2 | W0434 | DC66-00767A | PULLEY MOTOR; F500,PA66,AF216V60(PA66+GF6 | SA | 1 |
| 2-7 | 2 | W0231 | DC67-00670A | WEIGHT BALANCER-UP; F500,CONCRETE,T61.9,W | SA | 1 |
| 2-8 | 2 | M0028 | DC69-00824A | PACKING-THERMISTOR; GW-PJT,EPDM,-,-,W17,H | SA | 1 |
| 2-9 | 2 | | DC93-00316A | ASSY MOTOR-BLDC; ARNO,WDM500FGB,F,DC310V, | SA | 1 |
| 2-10 | 2 | G0420 | DC93-00355A | ASSY HEATER; SEPM,230V,2000W,NTR | SNA | 1 |
| 2-10-1 | 3 | W0110 | 6031-001531 | WASHER-PLAIN; SCP1,ID7,OD14,T1.2,ZPC2,ACE | SA | 1 |
| 2-10-2 | 3 | W0237 | DC47-00033B | HEATER-WASH; AC230V,Double Fuse (167 | SA | 1 |
| 2-10-3 | 3 | W0235 | DC63-01553A | COVER HEATER; F500 PJT,ABS+PC,W77,L168.1, | SA | 1 |
| 2-11 | 2 | W0503 | DC96-01327B | ASSY WIRE HARNESS; P-FrontWM-55,HEBA,-,-, | SA | 1 |

| No. | Lvl. | Loc. | Material Code | Description & Specification | SNA | Qty. |
|--------|------|-------|---------------|--|-----|------|
| 2-12 | 2 | W0601 | DC97-06080C | ASSY BOLT; MERCURY-PJT,BOLT+WASHER(OD38), | SA | 1 |
| 2-13 | 2 | W0501 | DC97-17334A | ASSY TUB BACK; F500E,WF80F5E5U4W/EF,8.0kg | SA | 1 |
| 2-13-1 | 3 | W0148 | DC62-00008A | SEAL OIL; NBR,BLACK,-,NBU | SA | 1 |
| 2-13-2 | 3 | W0740 | DC69-01769A | PACKING-TUB; ARNO,EPDM,EPDM,T5.5,L1720,BL | SNA | 1 |
| 2-14 | 2 | W0601 | DC97-14263A | ASSY BOLT; HEBA-PJT,MOTOR/BOLT(M8)+WASHER | SA | 5 |
| 3 | 1 | W0165 | DC90-12363A | ASSY DRUM; F500E,WF80F5E5U4W/EF | SNA | 1 |
| 3-1 | 2 | | DC60-00069A | SPACER; WR-HA139WA,STS304,ID30.2,SILVER,T | SA | 1 |
| 3-2 | 2 | W0165 | DC97-17231A | ASSY DRUM; F500 PJT,8KG,1400RPM | SA | 1 |
| 3-2-1 | 3 | | 6044-002157 | RING-OG; ID28,OD32.2,T2.1,BLK,NBR | SA | 1 |
| 3-2-2 | 3 | G0049 | DC60-40137A | BOLT HEX; MARS-PJT,STS430,M8,P1.25,L30,HE | SA | 3 |
| 3-2-3 | 3 | W0619 | DC66-00759A | DRUM LIFTER; F500 PJT,PP,W52,H45.8,L246,- | SA | 3 |
| 3-2-4 | 3 | W0164 | DC97-17234A | ASSY FLANGE SHAFT; F500 PJT,8KG,1400RPM | SA | 1 |
| 4 | 2 | G0049 | 6011-001644 | BOLT-HEX; M10,L35,ZPC2,SM10C,DAMPER | SA | 2 |

4. Assy Front

Exploded View



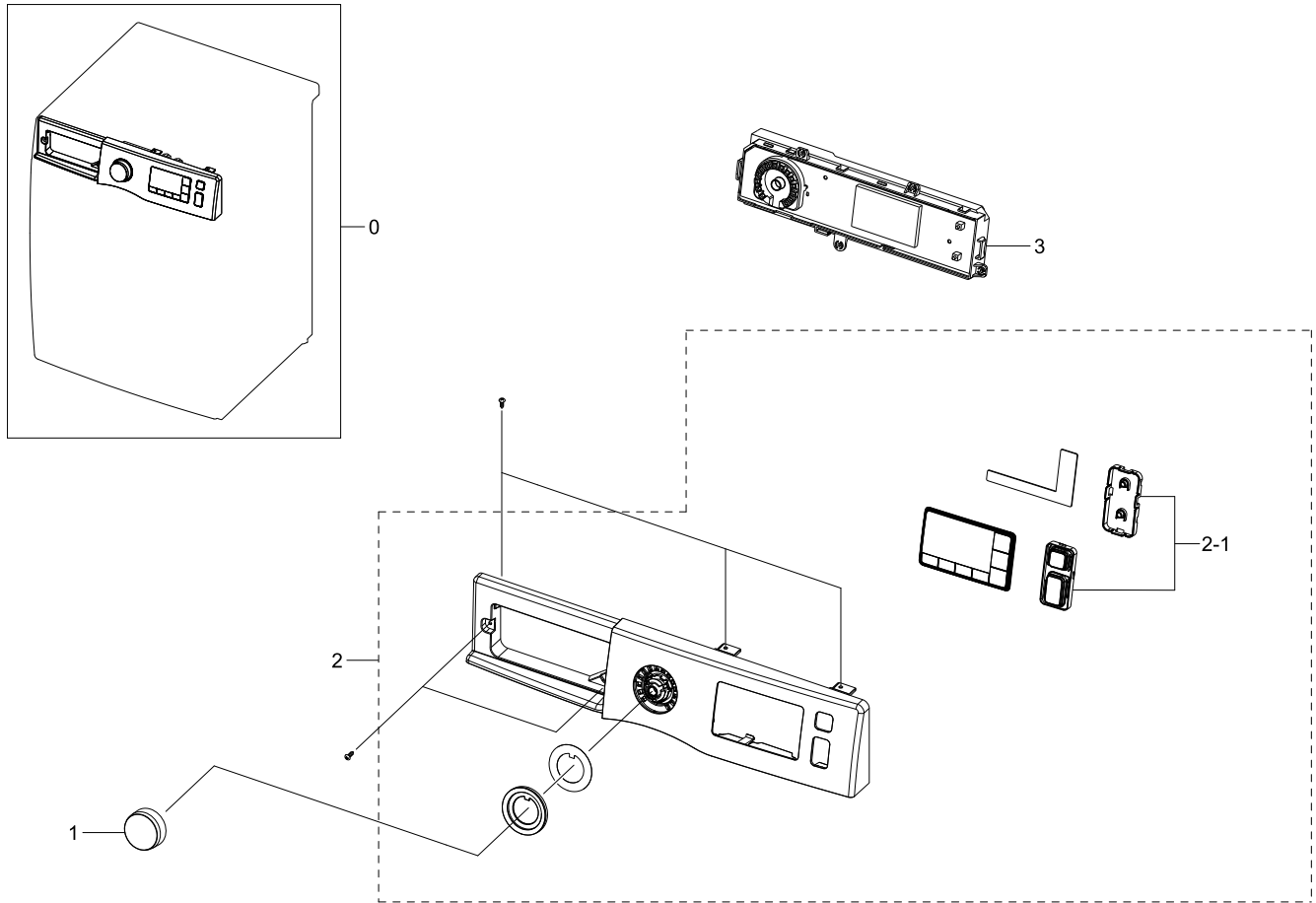
Parts List

| No. | Lvl. | Loc. | Material Code | Description & Specification | SNA | Qty. |
|-------|------|-------|---------------|---|-----|------|
| 0 | 1 | | DC90-12807A | ASSY FRONT; WHITE,WHITE,F500 | SNA | 1 |
| 1 | 2 | W0105 | 6002-001438 | SCREW-TAPPING; HWH,+ ,NO,1,M5,L12,ZPC(WHT) | SA | 2 |
| 2 | 2 | W0608 | DC91-12078D | ASSY WIRE DIAPHRAGM; HEBA-PJT,-,-,-,-,- | SA | 1 |
| 3 | 2 | W0253 | DC97-17361C | ASSY FRAME FRONT; F500E | SNA | 1 |
| 3-1 | 3 | W0228 | DC61-01917A | GUIDE FILTER; WF8804DP,HIPS,T2.5,W149.2,L | SA | 1 |
| 3-2 | 3 | W0516 | DC63-00920A | COVER-FILTER; WF8500NHW,ABS,T2.5,-,DA WHI | SA | 1 |
| 3-3 | 3 | W0435 | DC63-00967A | COVER DOOR SWITCH; AEGIS-PJT/ WF8500NHW,P | SA | 1 |
| 3-4 | 3 | W0225 | DC64-01538A | DOOR-LOCK S/W; ZV-446L5,PA,W95,L52,WHITE, | SA | 1 |
| 3-5 | 3 | W0727 | DC97-17482A | ASSY FRAME FRONT(S); F500E,DA WHITE | SA | 1 |
| 3-5-1 | 4 | W0226 | DC61-02584A | BRACKET HINGE; GI-SGCC,T1.4,- | SA | 1 |
| 3-6 | 3 | W0459 | DC97-17364C | ASSY DOOR; F500E | SA | 1 |

| No. | Lvl. | Loc. | Material Code | Description & Specification | SNA | Qty. |
|---------|------|-------|---------------|--|-----|------|
| 3-6-2 | 4 | W0454 | DC97-17363A | ASSY HOLDER GLASS; F400E | SNA | 1 |
| 3-6-2-1 | 5 | W0219 | DC61-03189A | HINGE DOOR; WF8804DP,PA66,T5.0,Dark Holde | SA | 1 |
| 3-6-2-2 | 5 | W0220 | DC61-00891A | GUIDE HINGE; HAUZEN(DOM),POM,-,-, WHT,HI | SA | 4 |
| 3-6-2-3 | 5 | W0754 | DC61-01915B | BRACKET HOLDER; WF8804DP,GI-SGCC,T1.2,N/A | SA | 1 |
| 3-6-2-4 | 5 | W0142 | DC61-02027A | SPRING ETC LEVER; STAINLESS-ST304,CD1.2, | SA | 1 |
| 3-6-2-5 | 5 | W0474 | DC66-00321A | LEVER-DOOR; WF80F5E5U4W/EF,ZNDC,Ni | SNA | 1 |
| 3-6-3 | 4 | W0448 | DC64-01521A | DOOR GLASS; WF8804DP,GLASS,T5.0,H120.5,NA | SA | 1 |
| 3-7 | 3 | G0425 | 6009-001522 | SCREW-HEX; HWH,+M5,L16,PASS,STS430,FP,SE | SA | 2 |

5. Assy Panel Control

Exploded View

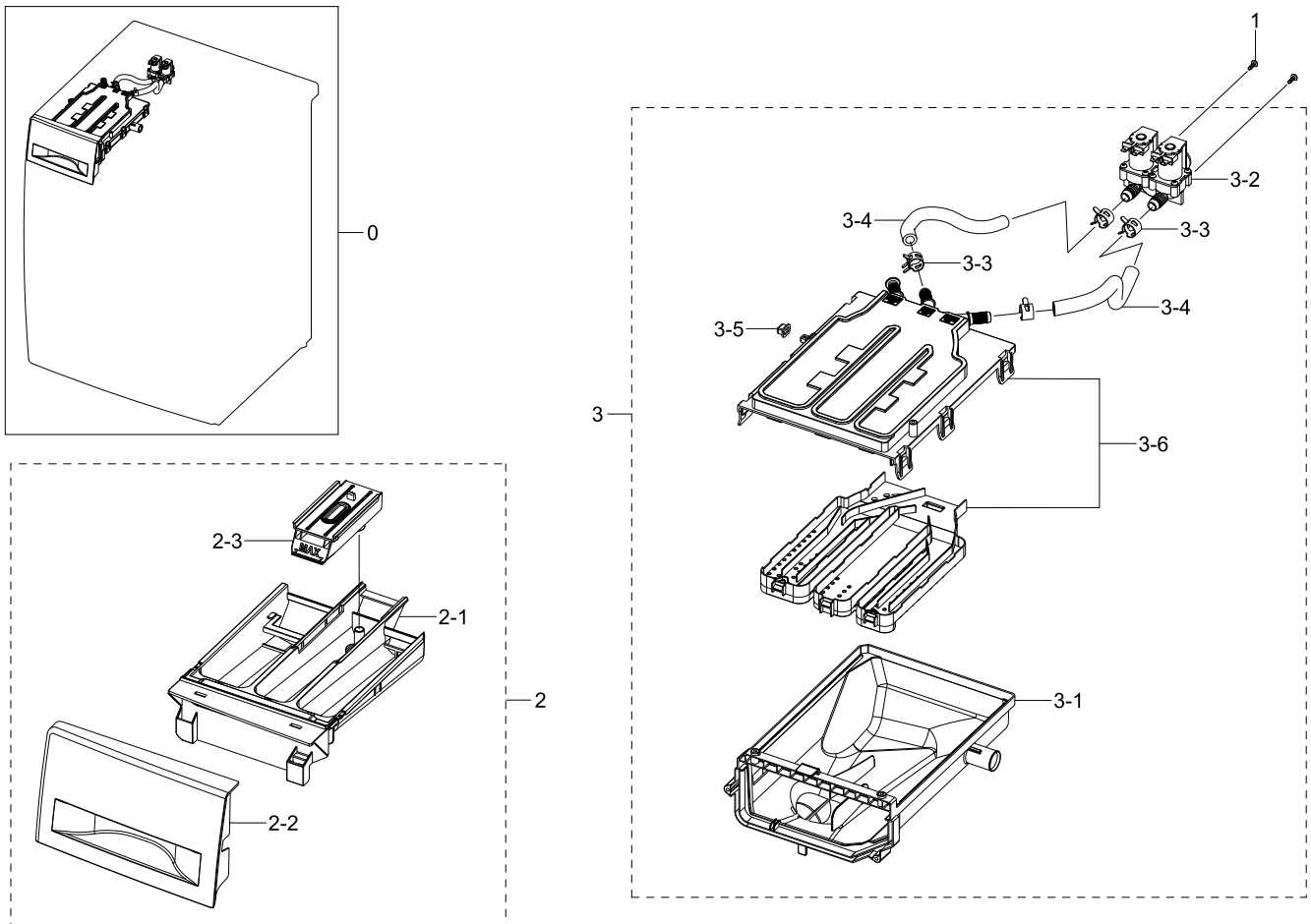


Parts List

| No. | Lvl. | Loc. | Material Code | Description & Specification | SNA | Qty. |
|-----|------|-------|---------------|--|-----|------|
| 0 | 1 | W0478 | DC90-12836A | ASSY PANEL CONTROL; F500,WF70F5E3U4W/EF | SNA | 1 |
| 1 | 2 | W0475 | DC97-17318B | ASSY KNOB ENCODER; WF80F50FU4W/EF | SA | 1 |
| 2 | 2 | W0478 | DC97-17396M | ASSY PANEL CONTROL; WF70F5E5W4W/EF,French | SNA | 1 |
| 2-1 | 3 | G0431 | DC97-17392A | ASSY BUTTON; WF80F50FU4W/EF | SNA | 1 |
| 3 | 2 | W0469 | DC92-01240C | ASSY PCB SUB; ASSY PCB SUB,F500,N,-,-,-,D | SA | 1 |

6. Assy Drawer

Exploded View



Parts List

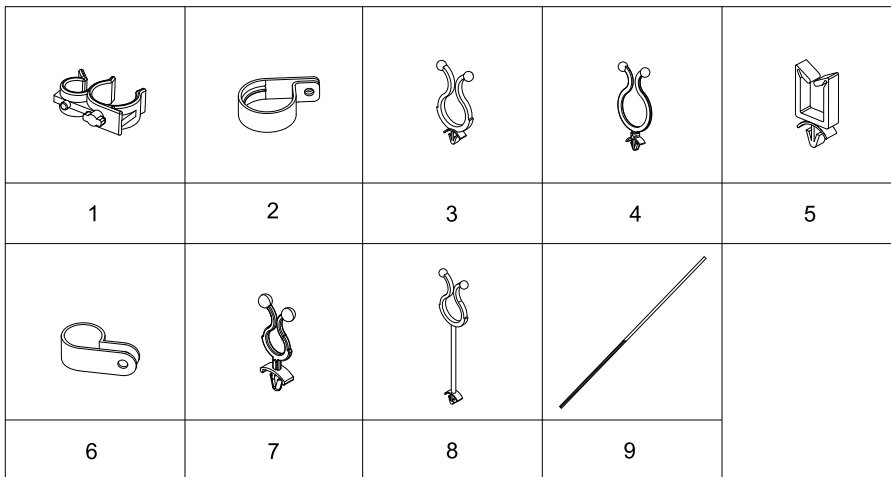
| No. | Lvl. | Loc. | Material Code | Description & Specification | SNA | Qty. |
|-----|------|-------|---------------|--|-----|------|
| 0 | 1 | W0216 | DC90-12367A | ASSY DRAWER; F500E,WF80F5E5U4W/EF | SNA | 1 |
| 1 | 2 | F0055 | 6003-000226 | SCREW-TAPTYPE; TH,+,-,S,M4,L8,ZPC(WHT),SW | SC | 2 |
| 2 | 2 | W0216 | DC97-17310A | ASSY DRAWER; F500E,WF80F50FU4W,8kg, DA WH | SA | 1 |
| 2-1 | 3 | W0156 | DC61-03480A | BODY DRAWER; WF-F500E,PP,NEAT WHITE,WT004 | SA | 1 |
| 2-2 | 3 | W0112 | DC64-02858A | PANEL DRAWER; F500E,ABS,-,HG-0760GP,DA WH | SA | 1 |
| 2-3 | 3 | W0215 | DC67-00669A | CAP RINSE; WF-F500E,PP,-,-,MT43,Honesty B | SA | 1 |
| 3 | 2 | W0163 | DC97-17311A | ASSY HOUSING DRAWER; F500E,WF80F50FU4W,PP | SA | 1 |
| 3-1 | 3 | W0372 | DC61-03473A | HOUSING DRAWER-LOW; WF-F500E,PP,-,WHITE,- | SA | 1 |
| 3-2 | 3 | W0078 | DC62-00024M | VALVE WATER; AC220-240V,Bracket,1in 2out, | SC | 1 |

Exploded Views and Parts List

| No. | Lvl. | Loc. | Material Code | Description & Specification | SNA | Qty. |
|-----|------|-------|---------------|--|-----|------|
| 3-3 | 3 | W0615 | DC65-00008A | CLAMPER HOSE; SEW-DR605,SK5,-,ID14.2/T0.9 | SA | 2 |
| 3-4 | 3 | W0151 | DC67-00051T | HOSE DRAWER; F500E,EPDM,ID9.0,OD14.5,L230 | SA | 2 |
| 3-5 | 3 | | DC67-00327A | CAP DRAWER HOOK; HEBA-PJT,EPDM,T1.1,W13.9 | SA | 1 |
| 3-6 | 3 | W0497 | DC97-17347A | ASSY S.HOUSING DRAWER; F500E,WF80F5E5U4W | SA | 1 |

7. Small Parts

Exploded View



Parts List

| No. | Lvl. | Loc. | Material Code | Description & Specification | SNA | Qty. |
|-----|------|-------|---------------|--|-----|------|
| 1 | 2 | W0616 | DC61-00133A | CLAMPER HOSE-FIX; P1291,PP,-,HOSE+PLUG,BJ | SA | 1 |
| 2 | 2 | W0616 | DC61-00118A | CLAMP-CABLE; P1291,PA66,NATURAL,NC0001 | SA | 1 |
| 3 | 2 | W0623 | DC61-40081A | HOLDER WIRE; DAWH-2NC,PA,-,NATURAL,- | SA | 4 |
| 4 | 2 | W0623 | DC61-40083A | HOLDER WIRE; DAWH-3ND,PA66,NTR(PI24.4)/NY | SA | 1 |
| 5 | 2 | M0001 | DC61-00553B | HOLDER WIRE; PA,-,NATURAL,-,101F,NC0001 | SA | 3 |
| 6 | 2 | | DC65-20010A | CABLE CLAMP; DA-9N-1,NYLON66,NTR | SNA | 1 |
| 7 | 2 | | 6502-000127 | CABLE CLAMP; DAWH-18NB,ID15,-,NYLON66,NTR | SA | 1 |
| 8 | 2 | W0623 | DC61-00995C | HOLDER WIRE; HEBA-PJT,PA,-,NATURAL,-,2110 | SA | 1 |
| 9 | 2 | G0040 | DC66-10003B | WIRE VINYL; SEW-100JL,PVC,T2.0*L150 | SA | 2 |