

## 5. EXPLODED VIEWS AND PARTS LIST

### [MATERIAL CODE STANDARDS]

Material codes and names and their respective naming rules are managed in accordance with the prescribed standards. Please refer to these standards when requesting a material.

#### 1. Material Code Type

● : Number

■ : Letter (Alphabet)

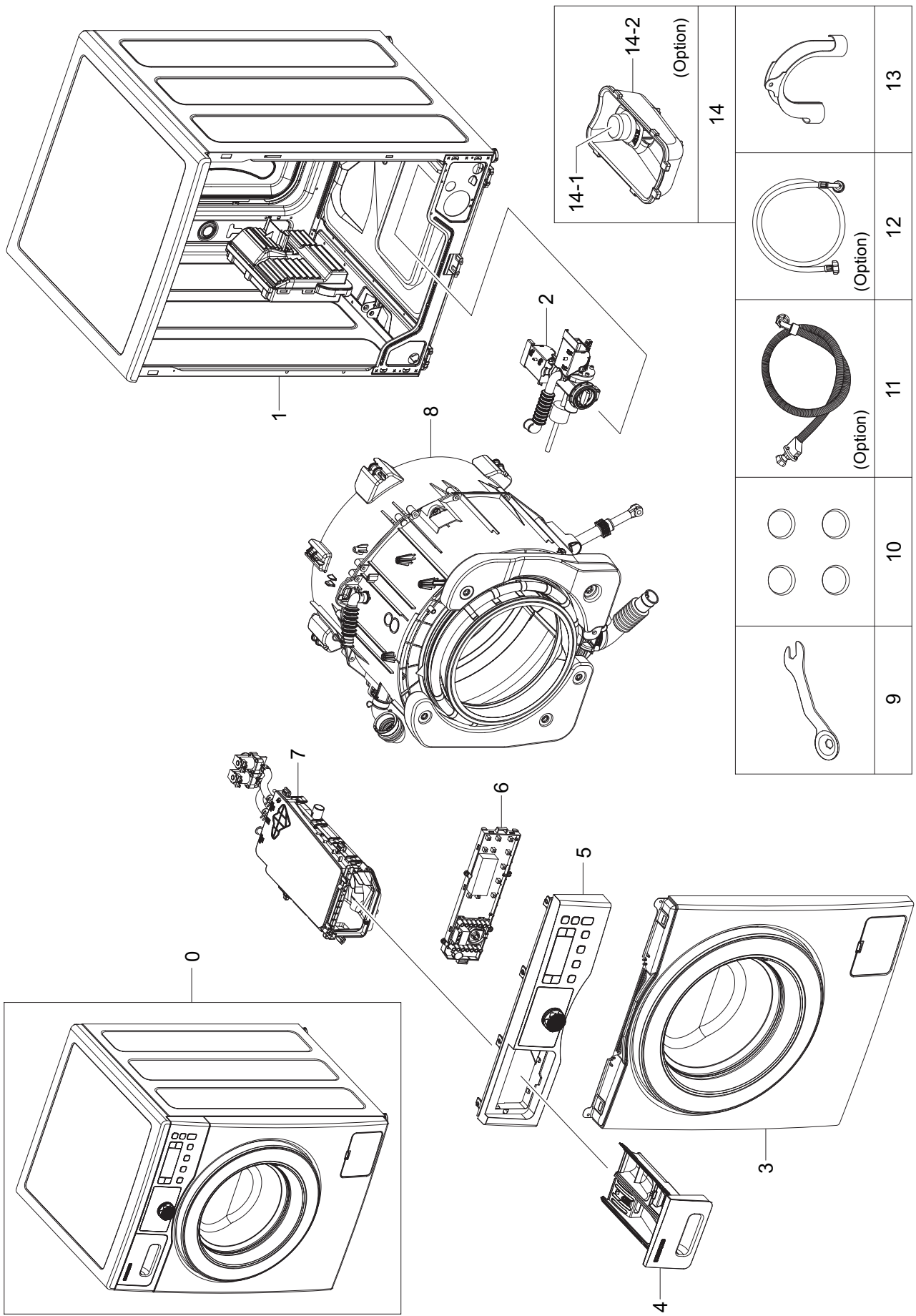
<b>Type 1</b>	<p>● ● ● ● - ● ● ● ● ● ●</p> <p>ex) 0204-000418 FREON</p>	<p><b>Enterprise-wide parts</b></p> <p>Type 1 materials can be used for all Samsung Electronics products. (Most electrical parts belong to this type.)</p>
<b>Type 2</b>	<p>■ ■ ● ● - ● ● ● ● ● ■</p> <p>ex) DC96-01390A ASSY-CONTROL</p>	<p><b>Division-wide parts (DC**-Washing machine)</b></p> <p>Type 2 materials can be used for specific products. (Most instruments and tools belong to this type.)</p>

#### 2. Ass'y Materials

All ass'y material codes start with DC9\*.

An ass'y material is created by combining more than two materials. If a requested material cannot be provided, you can request an ass'y material that contains that material.

5-1. MAIN (WF0804Y8E/XEF)



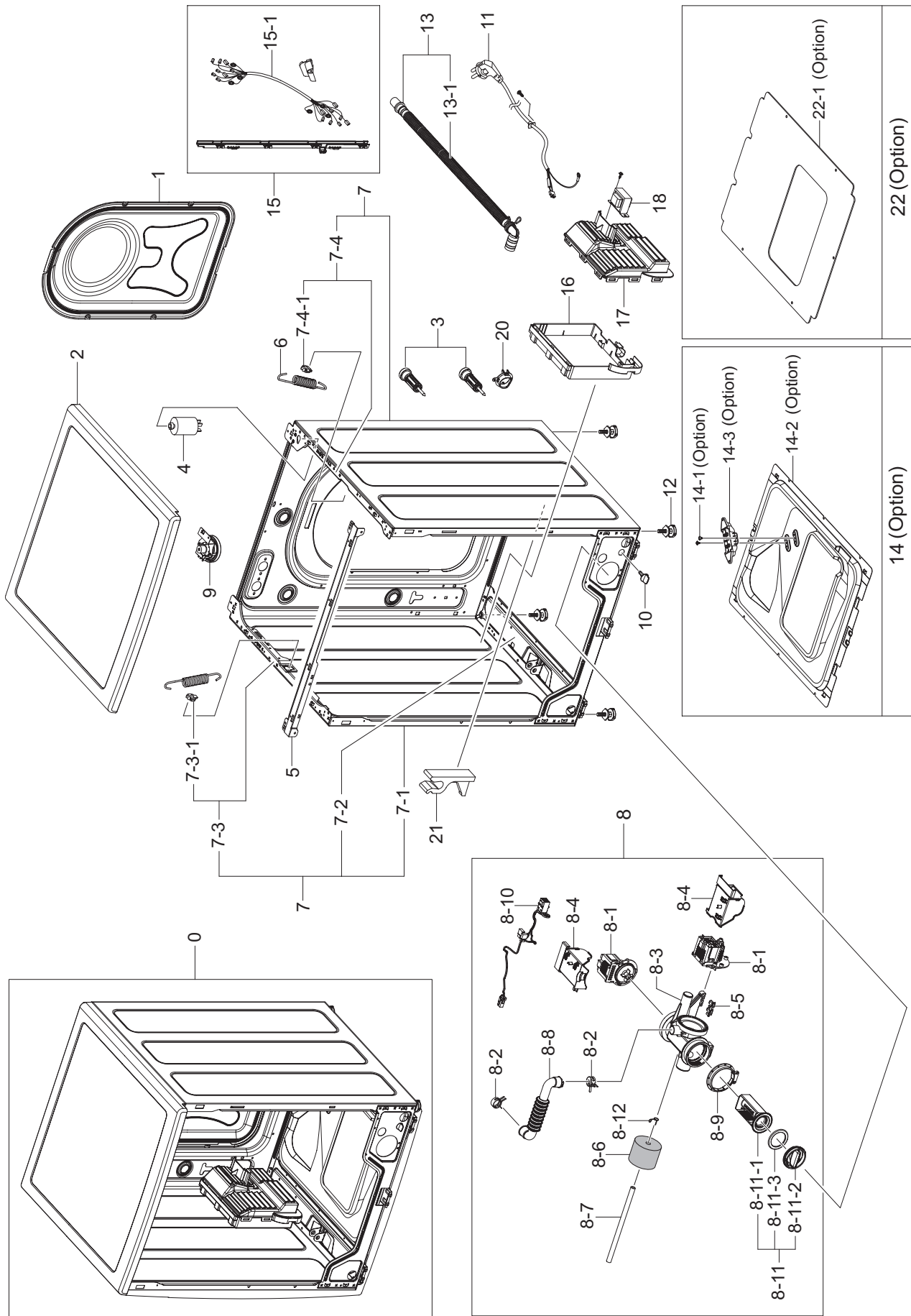
38 \_ Exploded views and Parts list

## MODEL CODE: WF0804Y8E/XEF

Service Bom (SA: SERVICE AVAILABLE, SNA: SERVICE NOT AVAILABLE)

Drawing No.	Code No.	Description	Specification	QTY	Un	SA/SNA
0	WF0804Y8E/XEF	ASSY-WASHING MACHINE	SCOUT			
1		FRAME & COVER PARTS	Refer to 5.2 Frame & Cover Parts	1		
2	DC97-15696E	ASSY PUMP DRAIN	SCOUT-PJT,WF0804Y8E/XEF,BUBBLE/ ASSY WIRE,50HZ,HANYU	1	PC	SNA
3	DC97-14342H	ASSY FRAME FRONT	GRIFFIN-PJT,WF9804RWE,EGI,T0.8,- ,WHT BODY+CR DOOR+STS	1	PC	SNA
4	DC97-16021A	ASSY DRAWER	SCOUT,WF0804Y8E	1	PC	SNA
5	DC97-15996A	ASSY PANEL CONTROL	SCOUT,WF0804Y8E,WHITE	1	PC	SNA
6	DC92-00312A	ASSY PCB SUB	SCOUT SUB,WF0804Y8E/ XEF,8KG,230V/50Hz,BEST,Y,SMPS	1	PC	SA
7	DC97-16005C	ASSY HOUSING DRAWER	SCOUT,WF0804Y8E,COLD	1	PC	SNA
8	DC90-03364A	ASSY TUB&DRUM	SCOUT,WF0804Y8E/XEF	1	PC	SNA
9	DC60-40146A	BOLT-SPANER	-,CR,-,T2.5,OD36,-,-,-	1	PC	SA
10	DC67-00307A	CAP-FIXER	WF438AAC/XAA,PP,T1.5,Φ33,- ,WHT,PURPLE-PJT	4	PC	SA
11	DC62-00079A	HOSE-WATER	P1405J,PVC+NYLON,-,-,- ,L1500,GRY,ACQUA-STOP	1	PC	SA
13	DC62-10278A	HOSE-HANGER	PP,NTR,JS20 RESIN	1	PC	SNA
14	DC97-16128A	ASSY COVER DRAWER	SCOUT,WF0704L7W/XEF,PP	1	PC	SA
14-1	DC67-00524A	CAP-DRAWER	WF0804Y8E/ XEF,PP,T2.0,W27,L43.2,BLUE	1	PC	SA
14-2	DC61-02581A	GUIDE-LIQUID(M)	WF0800NCE,PP,T2.0,W61,L118,SOAP BLUE	1	PC	SNA

## 5-2. FRAME & COVER PARTS (WF0804Y8E/XEF)



40 \_ Exploded views and Parts list

## MODEL CODE: WF0804Y8E/XEF

Service Bom (SA: SERVICE AVAILABLE, SNA: SERVICE NOT AVAILABLE)

Drawing No.	Code No.	Description	Specification	QTY	Un	SA/SNA
0		FRAME & COVER PARTS		1		
1	DC97-15809A	ASSY COVER BACK	GRIFFIN PJT,WF9904RWE/XEU,COVER BACK+SPONGE,T0.35,H558.3/W352	1	PC	SA
2	DC97-14953A	ASSY COVER TOP	HEBA-PJT,-,WOOD+AL FOIL+URETHANE,9.2(WOOD)/T0.35(AL FOIL),150X200(AL FOIL),-	1	PC	SA
3	DC97-14653C	ASSY FIXER TUB	SCOUT,WF0804Y8E/XEF	4	PC	SA
4	DC29-00015E	FILTER-EMI	LFT-215K-2,MINERVA-PJT,250VAC,15,5 3□,50/60Hz,CAN,VDE,-,-	1	PC	SA
5	DC97-15363A	ASSY FRAME PLATE(U)	HEBA,ALL,GI,T1.2,600*30*30,-	1	PC	SA
6	DC61-02029B	SPRING ETC-HANGER	HEBA 7kg,HSWR,CD3.5,ID24.8,OD26,L 159,TURNS 18 3/4,WHITE	2	PC	SA
7	DC97-14657J	ASSY FRAME	HEBA-DD,WF9904RWE,GI	1	PC	SA
7-1	DC61-01921E	FRAME	GRIFFIN-PJT,GI,WHT,T1.0,W546,L598	1	PC	SNA
7-2	DC61-01928B	FRAME-PLATE(L)	HEBA-PJT,GI,T1.0,2WAY PUMP	1	PC	SA
7-3	DC97-15689A	ASSY BRACKET SPRING(R)	HEBA 8kg,HEBA-COMBO,GI+POM	1	PC	SNA
7-3-1	DC61-02065A	GUIDE-SPRING	WF448AAG/XXA,POM,T4,W24,L25.5,WHT,-	1	PC	SA
7-4	DC97-15690A	ASSY BRACKET SPRING(L)	HEBA 8kg,HEBA-COMBO,GI+POM	1	PC	SNA
7-4-1	DC61-02065A	GUIDE-SPRING	WF448AAG/XXA,POM,T4,W24,L25.5,WHT,-	1	PC	SA
8	DC97-15696E	ASSY PUMP DRAIN	SCOUT-PJT,WF0804Y8E/XEF,BUBBLE/ ASSY WIRE,50HZ,HANYU	1	PC	SA
8-1	DC31-00030A	PUMP-DRAIN	B20-6,220V,50Hz,-,HANYU	2	PC	SA
8-2	DC61-00158A	CLAMPER HOSE	SW65ASP,SK5,ID23,-,T0.8/YEL,	2	PC	SNA
8-3	DC61-02271B	CASE-PUMP	WF0804Y8E/XEF,PP,T2.5,W153.6,L133. 2,WHITE,2WAY/SEAU	1	PC	SA
8-4	DC63-00830A	COVER-PUMP	COVER-PUMP,PP,T2.1,W60.5,L75,5VA GRADE,WHT	2	PC	SNA
8-5	DC63-00905A	CUSHION-PUMP	WF8802DPF/XET,NBR,- ,W37.6,L11.6,BLK,-	1	PC	SNA
8-6	DC63-10003C	SPONGE-HOSE AIR	POL,GRY,SWF-P12,HB22-GREY,	1	PC	SNA
8-7	DC67-00244D	HOSE-DRAIN	-,EPDM,ID6,OD11,T0.6,L270,BLK,-	1	PC	SA
8-8	DC67-00461A	HOSE-AIR TUB	SCOUT- PJT,EPDM,T1.5,BLK	1	PC	SA
8-9	DC69-01128A	PACKING-PUMP	WF8804DP,RUB-OTH,BUTYL,T2.5,W74, L74,11.6,BLK,10.8g,-,-,-,HEBA-PJT	1	PC	SNA
8-10	DC93-00016C	ASSY WIRE HARNESS-PUMP	GRIFFIN,CIRCULTION+DRAIN	1	PC	SA
8-11	DC97-15695A	ASSY FILTER	GRIFFIN-PJT,WF9804RWE,PP	1	PC	SA
8-11-1	DC63-00998A	FILTER-PUMP	WF8702LSW,PP,T2.0,W52.8,L93.9,NTR, 2WAY/SEAU	1	PC	SNA
8-11-2	DC64-01317A	HANDLE-FILTER	HANDLE-FILTER,PP,T2.5,W55,L35,- ,BLK,-	1	PC	SNA
8-11-3	DC73-00022A	RUBBER-PACKING	SEW-HVR149ATA,EPDM,-,40,- ,BLK,-,-,-,-	1	PC	SNA

Exploded views and Parts list \_ 41

## MODEL CODE: WF0804Y8E/XEF

Service Bom (SA: SERVICE AVAILABLE, SNA: SERVICE NOT AVAILABLE)

Drawing No.	Code No.	Description	Specification	QTY	Un	SA/SNA
8-12	DD65-00001F	CLAMPER HOSE	SDW-H120,STEEL,-,D10.5/T1.2,-,-	1	PC	SNA
9	DC96-01703B	ASSY SENSOR PRESSURE	PURPLE PJT,PURPLE PJT,0~300mmH20,non pcb,-,-	1	PC	SA
10	DC61-10673A	CAP-DRAIN	SWF-P12,PP(TB53),-,-,-,WHT,-,-	1	PC	SNA
11	DC96-00146A	ASSY POWER CORD	UCP2,250V/16A,-,1500/EUROPE	1	PC	SC
12	DC97-00920C	ASSY LEG	SEW-HW108,-,-,-,-,-	4	PC	SC
13	DC97-02250Q	ASSY HOSE DRAIN(O)	HEBA,WF8802DP,-,-,-,-,-	1	PC	SA
13-1	DC67-00330B	HOSE-PUMP	WF8802DPF,PP,ID20.6,OD27,-,L1850,GRY,BLOW SPIRAL	1	PC	SA
14	DC97-14642D	ASSY PLATE BOTTOM	GRIFFIN,WF9904FWE/XEF,GI,T0.5	1	PC	SA
14-1	6002-000239	SCREW-TAPPING	TH,+,-,2S,M4,L8,ZPC(WHT),SWRCH18A,-	2	PC	SA
14-2	DC63-00965A	COVER-BOTTOM	HEBA-PJT,GI,T0.8,W500,L500,-,-,-,7kg	1	PC	SNA
14-3	DC96-01610A	ASSY SENSOR POLE	HEBA/Aegis PJT,-,-,-,-	1	PC	SA
15	DC93-00184A	ASSY M.GUIDE WIRE HARNESS	SCOUT,WF0804Y8E,220~240V/50HZ,BUBBLE PUMP,LEAKAGE SENSOR	1	PC	SA
15-1	DC93-00182A	ASSY M. WIRE HARNESS	SCOUT,WF0804Y8E,220~240V/50HZ,BUBBLE PUMP,LEAKAGE SENSOR	1	PC	SA
16	DC92-00315A	ASSY PCB MAIN	SCOUT,WF0804Y8E,8KG,230V/50Hz,EUROPE BUBBLE,Y,SMPS	1	PC	SA
17	DC92-00277A	ASSY COVER PCB(M)	HEBA-COMBO,WF8704DJF,N	1	PC	SNA
18	DC26-00009D	TRANS-REACTORV	-,SEW-3HR105,-,-,220V,60HZ,-,-,-,-,-,-,-,-,-,-,K2/3PHASE	1	PC	SA
19	6002-001306	SCREW-TAPPING	TH,+,-,1,M4,L14,ZPC(WHT),SWRCH18A,-	1	PC	SNA
20	DC61-00274A	GUIDE-HOSE	P/PV/M,PP,-,-,-,WHT,FRAME/DRAIN-HOSE	1	PC	SA
21	DC61-02601A	GUIDE-HOSE	DRUM-MIDIUM SIZE,EPP,T142,GRAY	1	PC	SA



---

**MEMO**

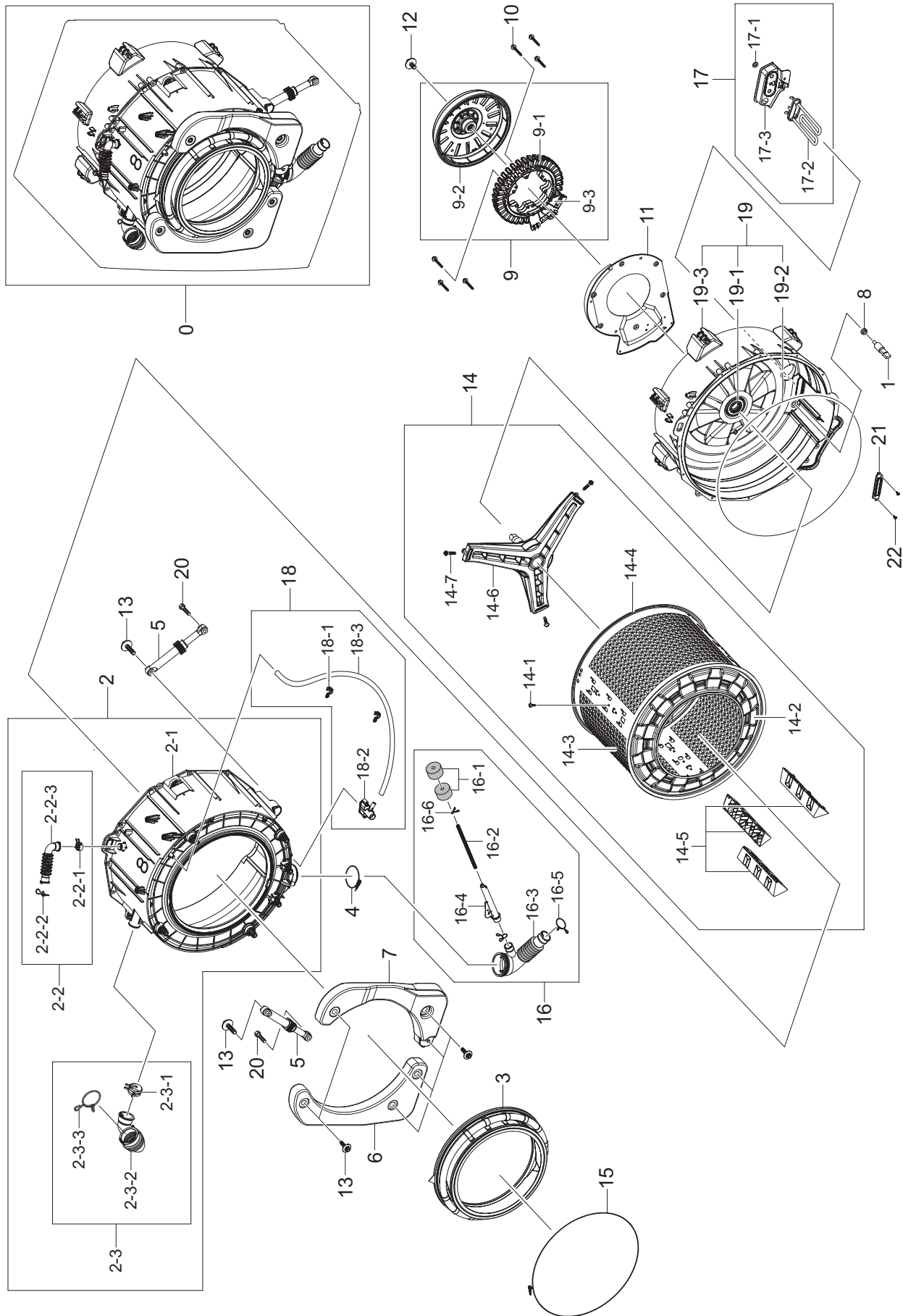
---

---

**Exploded views and Parts list \_ 43**



### 5-3. ASS'Y TUB&DRUM (WF0804Y8E/XEF)



### 44 \_ Exploded views and Parts list



## MODEL CODE: WF0804Y8E/XEF

Service Bom (SA: SERVICE AVAILABLE, SNA: SERVICE NOT AVAILABLE)

Drawing No.	Code No.	Description	Specification	QTY	Un	SA/SNA
0	DC90-03364A	ASSY TUB&DRUM	SCOUT,WF0804Y8E/XEF	1	PC	SNA
1	DC32-00010A	THERMISTOR	-,11982OHM AT 25°C,-,-55~155,-,5,-,100,-	1	PC	SA
2	DC97-16129A	ASSY SEMI TUB FRONT	scout,WF0804Y8E/XEF,8kg,FRPP	1	PC	SA
2-1	DC61-01932D	TUB-FRONT	HEBA PJT,FRPP-GF15%,ID528,OD575,NTR,8KG/AIR-HOLE	1	PC	SA
2-2	DC97-14873A	ASSY HOSE AIR	WF8804DP,-,HOSE-AIR+BAND-RING,-,-,-	1	PC	SA
2-2-1	DC61-00158A	CLAMPER HOSE	SW65ASP,SK5,ID23,-,T0.8/YEL,	1	PC	SNA
2-2-2	DC65-60118J	BAND-RING	-,HSWR,-,-,-,WHT,PI2.0/ID23	1	PC	SNA
2-2-3	DC67-00298A	HOSE-AIR	HEBA PJT,EPDM,-,-,T2.5,-,BLK,-	1	PC	SA
2-3	DC97-14874B	ASSY HOSE DRAWER	HEBA,WF8802DPF,HOSE-DRAWER+BAND-RING	1	PC	SA
2-3-1	DC61-00219G	CLAMPER HOSE	HEBA BIGBANG,SK5,ID37/OD39/H10/T1.0	1	PC	SNA
2-3-2	DC67-00422A	HOSE-DRAWER TUB	HEBA-PJT,EPDM,ID42.5,OD46.5,T2.0,BLK	1	PC	SA
2-3-3	DC72-00001G	BAND-RING	HEBA-PJT,HSWR,PI3.0,W21.5,ID49.5,WHT,HOSE-DRAWER + TUB-FRONT	1	PC	SNA
3	DC64-01602A	DOOR-DIAPHRAGM	HEBA-PJT,EPDM,T2.0,-,-,-,GRY,WASHER	1	PC	SA
4	DC65-00021A	CLAMPER HOSE-JOINT	HEBA PJT,HSWR,-,ID74/OD78,WHT,-	1	PC	SNA
5	DC66-00343D	DAMPER-SHOCK	GW-PJT,STEEL+PP+RUBBER,80N,-,W27,L195,BLK,-	2	PC	SA
6	DC97-16008A	ASSY WEIGHT BALANCER-(L)	SCOUT-PJT,WF0804Y8E/XEF,6.5KG,PP+CONCRETE	1	PC	SA
7	DC97-15966A	ASSY WEIGHT BALANCER-(R)	SCOUT-PJT,WF0804Y8E/XEF,6.5KG,PP+CONCRETE	1	PC	SA
8	DC69-00824A	PACKING-THERMISTOR	GW-PJT,EPDM,EPDM,-,W17,-,H11,BLACK,1.25g,-,-,-	1	PC	SA
9	DC96-01218E	ASSY DD BLDC MOTOR	DON800,25MM/AL WIRE/0.85PI/94T,B,Free,1400	1	PC	SA
9-1	DC31-00074B	MOTOR BLDC-ASSY STATOR	DON800,0~1400,-,Free,5A,-,DC,800W,DON800,0.85PI,94T,-,-,-,130°C,258.3*25	1	PC	SA
9-2	DC31-00075E	MOTOR BLDC-ASSY ROTOR	DON800,0~1400,-,Free,5A,-,800W,DON800,7BD, inner serration,-,-,-,130,-	1	PC	SA
9-3	DC31-00076A	MOTOR BLDC-ASSY HALL SENSOR	DON1300,0~1200,-,DC310V,0.5A,-,DC,-,ASSY HALL SENSOR,ASSY HALL SENSOR,-,-,-,130C	1	PC	SA
10	6011-001627	BOLT-ETC	M6,L56,MFZn,SCM435,P1.0/HEX/WSP	6	PC	SA
11	DC63-01032A	COVER-MOTOR	HEBA-COMBO,GI,T0.8,W415.4,L306,-,-,-,-	1	PC	SA

Exploded views and Parts list \_ 45

## MODEL CODE: WF0804Y8E/XEF

Service Bom (SA: SERVICE AVAILABLE, SNA: SERVICE NOT AVAILABLE)

Drawing No.	Code No.	Description	Specification	QTY	Un	SA/SNA
12	DC97-06080A	ASSY BOLT	SEW-3HR107,BOLT+WASHER,-,-,-,-	1	PC	SA
13	DC97-14263A	ASSY BOLT	HEBA-PJT,MOTOR/ BOLT(M8)+WASHER(OD28.6),-,-,-,-	2	PC	SA
13	DC97-14263A	ASSY BOLT	HEBA-PJT,MOTOR/ BOLT(M8)+WASHER(OD28.6),-,-,-,-	6	PC	SA
14	DC97-14371D	ASSY DRUM	GE 24INCH WASHER,WCVH4800K,598 *850,1000~1200RPM,T0.5,-	1	PC	SA
14-1	6002-001435	SCREW-TAPPING	TH,+2,M4,L12,PASS,STS430	3	PC	SNA
14-2	DC66-00489B	DRUM-FRONT	HEBA PJT(8kg),STS430,ID492,OD492.4,-,- ,T0.5	1	PC	SNA
14-3	DC66-00491A	DRUM-WRAPPER	HEBA PJT/8.0kg,STS430,ID492,OD492. 4,L371.2,-,CUBE DRUM/T0.5	1	PC	SNA
14-4	DC66-00492A	DRUM-BACK	HEBA PJT,STS430,ID492,OD492.4,T0.5	1	PC	SNA
14-5	DC66-00493A	DRUM-LIFTER	HEBA PJT,PP-TI42,-,-,L246,NTR,7/8KG	3	PC	SA
14-6	DC97-14370B	ASSY FLANGE SHAFT	HEBA PJT,-,-,1200RPM,-,-	1	PC	SA
14-7	DC60-40137A	BOLT-HEX	MARS-PJT,STS430,M8,-,P1.25,L30,-,- ,HEX/KNURING	3	PC	SA
15	DC97-14618A	ASSY CLAMP DIAPHRAM	WF8804DP,OD2.0/L2438,-,-,-,-	1	PC	SA
16	DC97-14637C	ASSY HOSE PRESSURE	HEBA-COMBO,WD8704DJF,PRESSUE R,L635,TPE	1	PC	SA
16-1	DC63-10003C	SPONGE-HOSE AIR	POL,GRY,SWF-P12,HB22-GREY,	1	PC	SNA
16-2	DC67-00230E	HOSE-WATER	WD8704,TPE,ID4.5,OD8.0,T1.75,L635 ,BLK	1	PC	SNA
16-3	DC67-00293A	HOSE-FILTER TUB	HEBA-PJT,EPDM,-,-,T2.5,-,BLK,-	1	PC	SA
16-4	DC67-00297A	HOSE-JOINT AIR	HEBA&Aegis- PJT,PP,ID22,OD26,T2.0,L150,NTR	1	PC	SNA
16-5	DC72-00001H	BAND-RING	HEBA-PJT,HSWR,PI3.0,ID35,- ,WHT,HOSE-FILTER+PUMP-CASE	1	PC	SNA
16-6	DC61-70029C	SPRING-CLIP	SEW- HW125,HSWR67,CD1.2,ID8.5,OD10.9,- ,-,-, WHT,-,-	1	PC	SA
16-7	DC65-60125B	BAND-RING	- ,HSWR,T2.4,PI25,-,YEL,-	1	PC	SNA
17	DC97-14827E	ASSY HEATER	HEBA,230V/ 2000W,CERAMIC/GREEN	1	PC	SA
17-1	6031-001531	WASHER-PLAIN	SCP1,ID7,OD14,T1.2,ZPC2(YEL),ACE- PJT	1	PC	SNA
17-2	DC47-00033A	HEATER-WASH	HEBA,SUS316L+CERAMIC COATING,2 000,8.69,230V,26.46,8.5mm,220mm,Dou ble Fuse (167°C, Cut Off Time 70±20s)	1	PC	SNA
17-3	DC63-00889B	COVER-HEATER	WF438AAG,PP,T2.0,W160.0,L80.6,V0 GRADE,-,GREEN,-	1	PC	SA
18	DC97-15993A	ASSY HOSE-CIRCULATION	SCOUT,WF0804Y8E,EPDM,L685.2,OD1 4.5,BLACK	1	PC	SNA
18-1	DC61-02646A	GUIDE-HOSE	WF0804Y8E,PP,T2.0,W10.0,L36.6,NATU RAL,SCOUT-PJT	2	PC	SNA
18-2	DC67-00462A	HOSE-CONNECTOR	WF0804Y8E,PP,NTR,SCOUT-PJT	1	PC	SNA

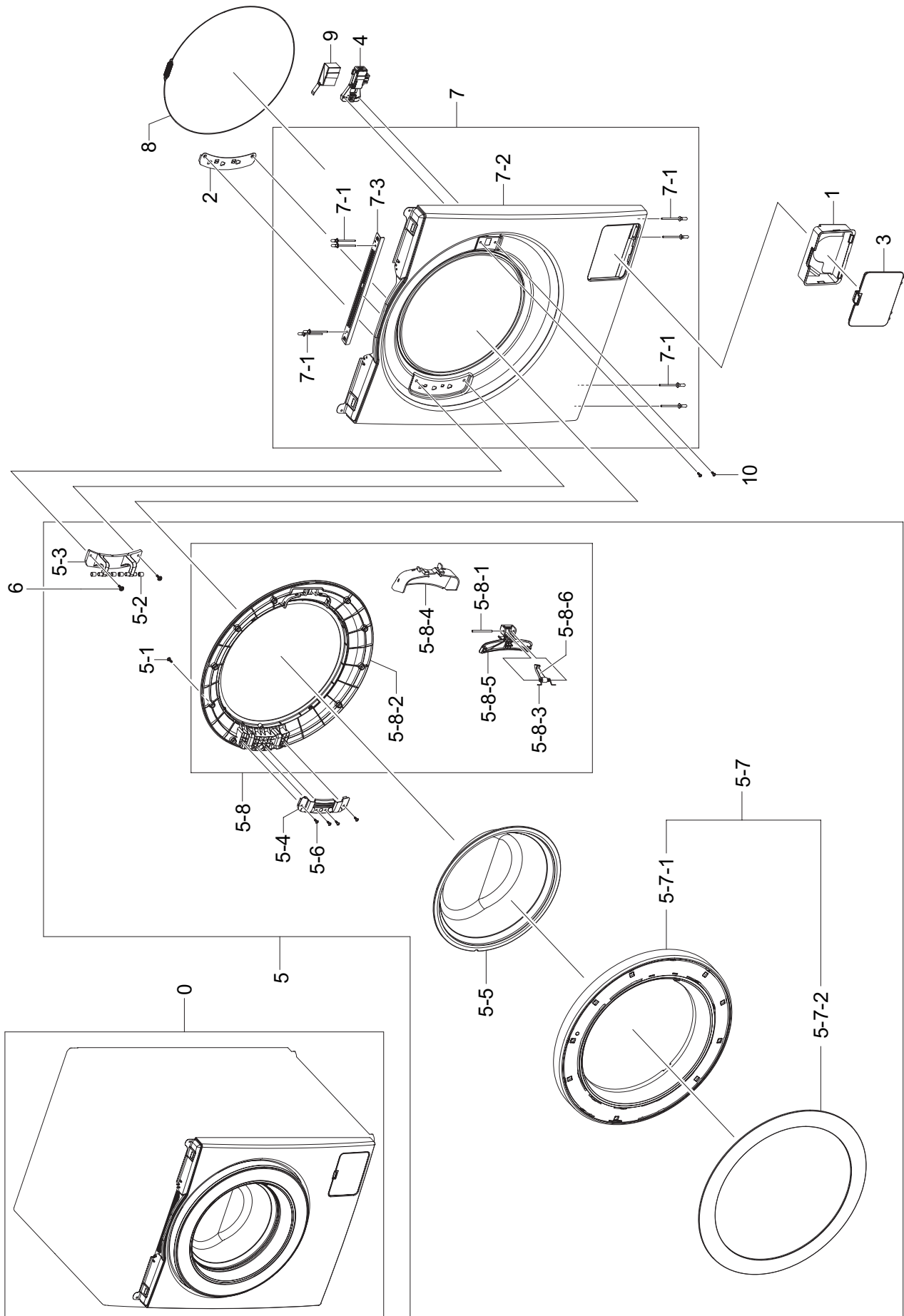
### 46 \_ Exploded views and Parts list

## MODEL CODE: WF0804Y8E/XEF

Service Bom (SA: SERVICE AVAILABLE, SNA: SERVICE NOT AVAILABLE)

Drawing No.	Code No.	Description	Specification	QTY	Un	SA/SNA
18-3	DC67-00471A	HOSE-CIRCULATION	WF0804Y8E,EPDM,ID9.0,OD14.5,L703, BLK,SCOUT-PJT	1	PC	SNA
19	DC97-15518C	ASSY TUB BACK	GRIFFIN-PJT,WF9904RWE,9kg,DD MOTOR	1	PC	SA
19-1	DC62-00008A	SEAL-OIL	-,NBR(SD35),BLK,-,-,-,NBU(PI15)	1	PC	SA
19-2	DC69-01154A	PACKING-TUB	WF8804DP,EPDM,EPDM,T5.0,-,L1650,- ,BLK,20g,-,-,-,-	1	PC	SA
19-3	DC97-15517B	ASSY SEMI TUB BACK	GRIFFIN-PJT,WF9904RWE,9kg,LGF15	1	PC	SNA
20	6011-001644	BOLT-HEX	M10,L40,ZPC2(YEL),SM10C,DAMPER	2	PC	SA
21	DC61-02664A	BRACKET-HEATER	HEBA,STAINLESS-ST5430,T0.6,W110.5	1	PC	SA
22	6002-000473	SCREW-TAPPING	TH,+,NO,1,M4,L14,PASS,STS304	2	PC	SA

## 5-4. ASS'Y FRAME FRONT (WF0804Y8E/XEF)



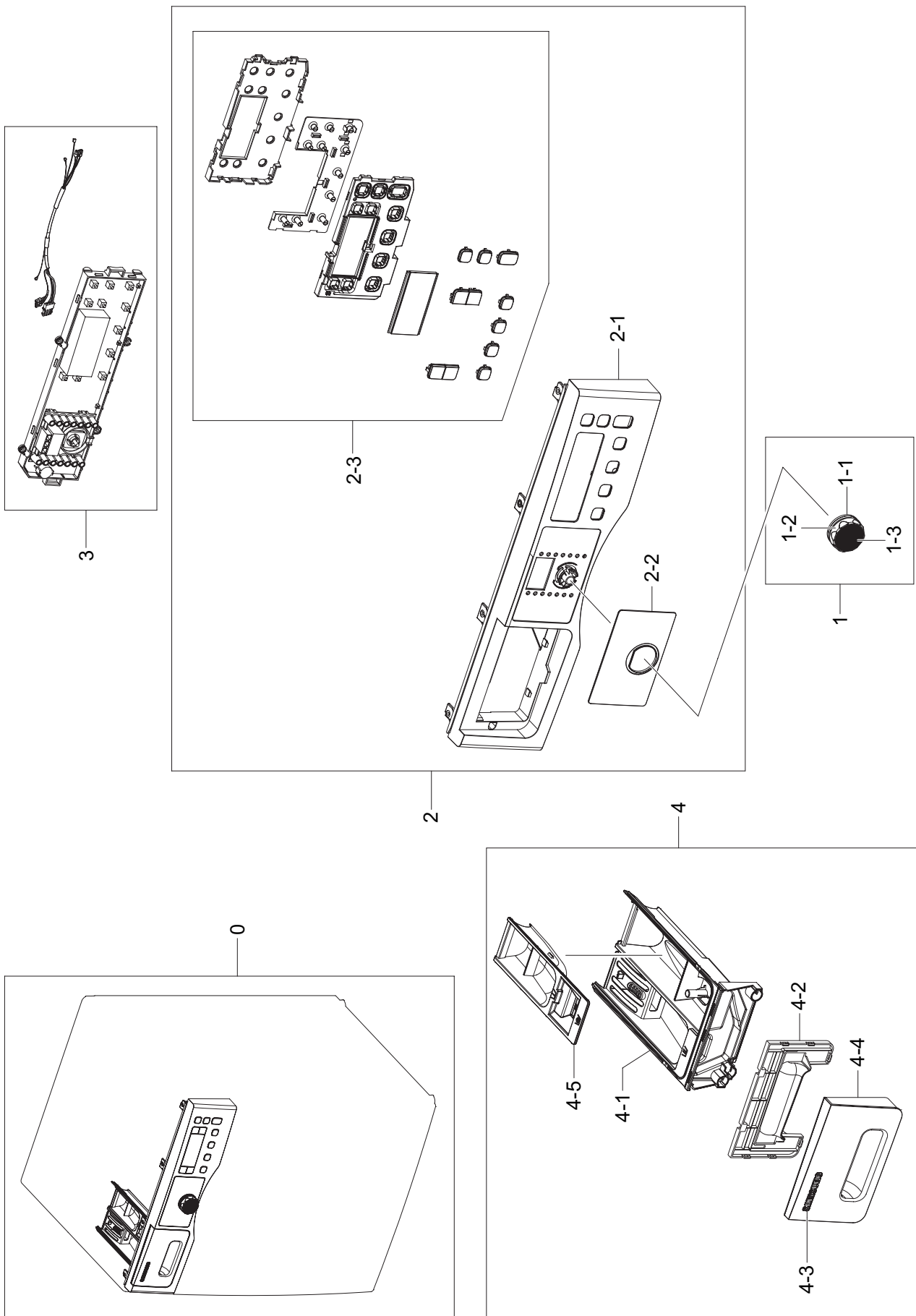
48 \_ Exploded views and Parts list

## MODEL CODE: WF0804Y8E/XEF

Service Bom (SA: SERVICE AVAILABLE, SNA: SERVICE NOT AVAILABLE)

Drawing No.	Code No.	Description	Specification	QTY	Un	SA/SNA
0	DC97-14342H	ASSY FRAME FRONT	GRIFFIN-PJT,WF9804RWE,EGI,T0.8,-,WHT BODY+CR DOOR+STS	1	PC	SNA
1	DC61-01917A	GUIDE-FILTER	WF8804DP,PP,T2.5,W300,L200,WHT,-	1	PC	SA
2	DC61-01919A	BRACKET-HINGE	WF8804DP,GI,T1.4,W30,L150,-,TAP	1	PC	SA
3	DC63-00854A	COVER-FILTER	WF8804DP,ABS,T2.0,W300,L200,-,-,WHT,-	1	PC	SA
4	DC64-01538A	DOOR-LOCK S/W	ZV-446L5,PA66,T19.5,-,W95.3,-,BLK,250V/16A	1	PC	SA
5	DC97-14343F	ASSY DOOR	GRIFFIN-PJT,WF8804RWE,CR DOOR+STS	1	PC	SA
5-1	6002-000444	SCREW-TAPPING	TH,+2,M4,L14,PASS,STS430	12	PC	SNA
5-2	DC61-00891A	GUIDE-HINGE	HAUZEN(DOM),POM,-,-,-,WHT,HINGE	4	PC	SA
5-3	DC61-01910A	HINGE-DOOR	WF8804DP,ALDC,T5.0,W30,L150,-,-,Ni	1	PC	SA
5-4	DC61-01915B	BRACKET-HOLDER	WF8804DP,GI,T1.2,W45,L160,-,-	1	PC	SA
5-5	DC64-01521A	DOOR-GLASS	WF8804DP,NON-HeatTreatment GLASS,T5.0,H100.5,-,-,NAT,BOROSILICATE	1	PC	SA
5-6	6002-001306	SCREW-TAPPING	TH,+,-,1,M4,L14,ZPC(WHT),SWRCH18A,-	4	PC	SNA
5-7	DC97-14328F	ASSY COVER DOOR	GRIFFIN-PJT,WF9904RWE,ABS+STS430,CR+HAIR LINE	1	PC	SA
5-7-1	DC63-00855A	COVER-DOOR	WF8804DP,ABS,T3.0,W480,L480,-,-,WHT,CR	1	PC	SNA
5-7-2	DC64-01930A	DECORATION-DOOR	WF9904RWE/XEU,STS430,T0.5,W463,NTR,GRIFFIN PJT	1	PC	SNA
5-8	DC97-15375A	ASSY HOLDER GLASS	HEBA,ALL,PP,T3.0,480*480*30,-	1	PC	SNA
5-8-1	6043-001093	PIN-PARALLEL(KEY)	A,OD3,L40,PASS,STS204	1	PC	SA
5-8-2	DC61-01909A	HOLDER GLASS	WF8804DP,PP,T3.0,W480,L480,GRY,M T43HG RESIN	1	PC	SA
5-8-3	DC61-02027A	SPRING ETC-LEVER	-,STS304,-,-,OD1.1,L15,6 TURNS,T1.1,-,-,-	1	PC	SA
5-8-4	DC63-00853A	COVER HANDLE	WF8804DP,ABS,T2.5,W60,L125,-,-,GRY,-	1	PC	SA
5-8-5	DC64-01524A	HANDLE DOOR	WF8804DP,ABS,T2.5,W25,L125,-,GRY,-	1	PC	SA
5-8-6	DC66-00497A	LEVER-DOOR	WF8804DP,ZNDC,T10,W10,L35,-,-,NI	1	PC	SA
6	6009-001522	SCREW-HEX	HEX,+,-,M5,L16,PASS,STS430,FP,NYLOCK	2	PC	SA
7	DC97-15021A	ASSY FRAME FRONT(S)	HEBA-PJT,-,-,-,-,DA WHITE	1	PC	SA
7-1	6041-001035	RIVET-RH	K1661-0512,AL(A5052),OD3.9,L11,NTR	4	PC	SNA
7-1	6041-001035	RIVET-RH	K1661-0512,AL(A5052),OD3.9,L11,NTR	4	PC	SNA
7-2	DC61-01916A	FRAME-FRONT	WF8804DP,EGI,-,-,WHT,T0.8,W595,L660,SPRAY	1	PC	SNA
7-3	DC61-01981A	BRACKET-FRAME	WF8804DP,GI,T0.8,W20,L310,-,-	1	PC	SNA
8	DC91-12078D	ASSY WIRE DIAPHRAGM	HEBA-PJT,-,-,-,-	1	PC	SA
9	DC63-00967A	COVER-DOOR SWITCH	AEGIS-PJT/ WF8500NHW,PP,T2.5,W25.9,L90.2,5VA GRADE,NTR,ZV-446	1	PC	SA
10	6002-001435	SCREW-TAPPING	TH,+2,M4,L12,PASS,STS430	2	PC	SNA

## 5-5. PANEL-CONTROL & DRAWER (WF0804Y8E/XEF)

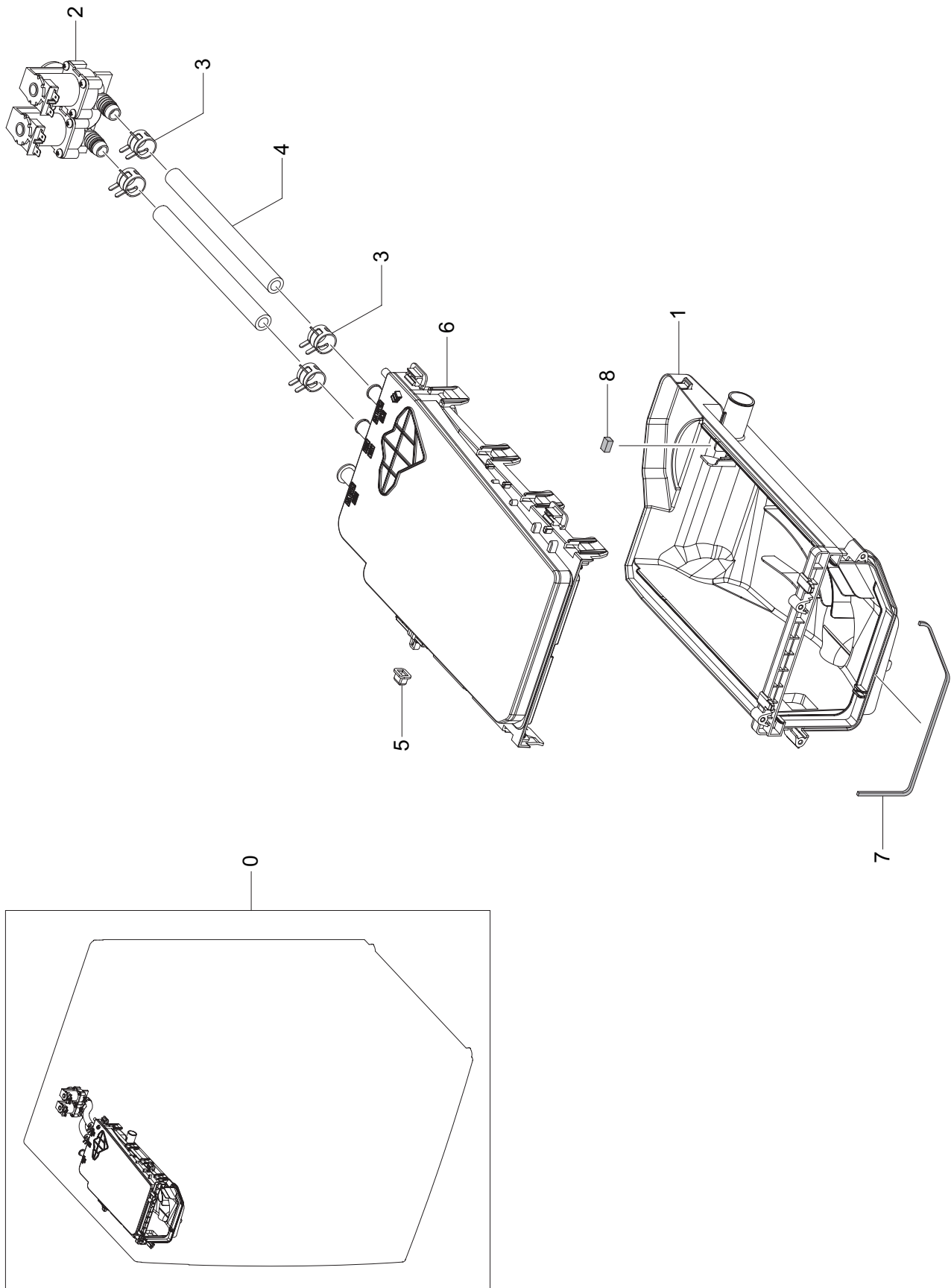


### 50 \_ Exploded views and Parts list

**MODEL CODE: WF0804Y8E/XEF**Service Bom (**SA**: SERVICE AVAILABLE, **SNA**: SERVICE NOT AVAILABLE)

Drawing No.	Code No.	Description	Specification	QTY	Un	SA/SNA
0		Panel-Control & Drawer		1		
1	DC97-15723A	ASSY KNOB ENCODER	GRIFFIN-PJT,WF9904RWE,AL+BLACK,PMMA/BLACK	1	PC	SA
1-1	DC64-01927A	KNOB-ENCODER	WF9904RWE/XEU,ABS,T2.5,W49.8,L37.9,BLACK,GRIFFIN-PJT	1	PC	SNA
1-2	DC64-01931A	DECORATION-ENCODER	WF9904RWE/XEU,ABS,T2.2,W50.8,L14.7,DA WHITE,GRIFFIN-PJT	1	PC	SNA
1-3	DC64-01988A	DECORATION-ENCODER(I)	WF9904RWE,AL,T3.3,W43.6,L43.6,GRIFFIN-PJT	1	PC	SC
2	DC97-15996A	ASSY PANEL CONTROL	SCOUT,WF0804Y8E,WHITE	1	PC	SNA
2-1	DC64-02165A	PANEL-CONTROL	WF0804Y8E,ABS,T2.5,W143.8,L594.4,DA WHITE,SCOUT-PJT	1	PC	SNA
2-2	DC64-02170A	WINDOW-ENCODER	WF0804Y8E,PMMA,T2.0,W157,L95.5,TRANSPARENT,SCOUT	1	PC	SNA
2-3	DC97-15995A	ASSY BUTTON	SCOUT,WF0804Y8E,WHITE,ABS	1	PC	SNA
3	DC92-00312A	ASSY PCB SUB	SCOUT SUB,WF0804Y8E/XEF,8KG,230V/50Hz,BEST,Y,SMPS	1	PC	SA
4	DC97-16021A	ASSY DRAWER	SCOUT,WF0804Y8E	1	PC	SNA
4-1	DC61-02580A	BODY-DRAWER	WF0800NCE,PP,T2.0,L265,W154,WHT,HEBA BIGBANG	1	PC	SNA
4-2	DC64-01527A	HANDLE-DRAWER	HEBA-PJT,ABS,T2.0,-,-,-,WHT,-	1	PC	SNA
4-3	DC64-01973A	MASCOT	GRIFFIN-PJT,NICKEL,T0.25,W60,BLK,SAMSUNG LOGO	1	PC	SNA
4-4	DC64-02173A	PANEL-DRAWER	WF0804Y8E,ABS,T2.5,W183.4,L114.8,DA WHITE,SCOUT-PJT	1	PC	SNA
4-5	DC67-00452A	CAP-RINSE	WF0800NCE,PP,T2.0,W66.5,L219,SOAP BLUE,HEBA BIGBANG	1	PC	SNA

## 5-6. ASS'Y HOUSING DRAWER (WF0804Y8E/XEF)

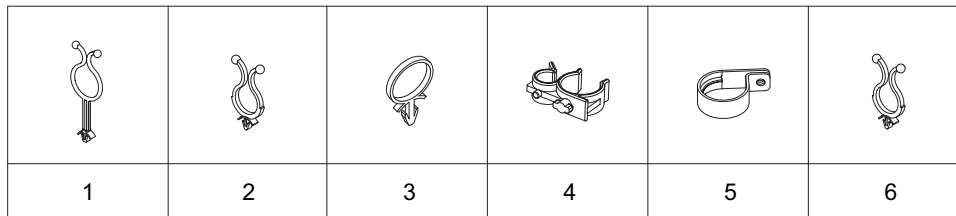




**MODEL CODE: WF0804Y8E/XEF**Service Bom (**SA**: SERVICE AVAILABLE, **SNA**: SERVICE NOT AVAILABLE)

Drawing No.	Code No.	Description	Specification	QTY	Un	SA/SNA
0	DC97-16005C	ASSY HOUSING DRAWER	SCOUT,WF0804Y8E,COLD	1	PC	SNA
1	DC61-02434A	HOUSING-DRAWER L	HEBA-PJT,PP,T1.8,NTR	1	PC	SA
2	DC62-00024M	VALVE-WATER	V7-PJT,NYLON,2WAY,MAX 10BAR,WHT,220/240V 50/60Hz	1	PC	SA
3	DC65-00008A	CLAMPER HOSE	SEW-DR605,SK5,-,-,YEL,ID14.2/T0.9	4	PC	SNA
4	DC67-00051B	HOSE-DRAWER	Q1636GW/XEU,EPDM,ID9.0,OD14.5,- -,BLK,-	0.21	M	SA
4	DC67-00051B	HOSE-DRAWER	Q1636GW/XEU,EPDM,ID9.0,OD14.5,- -,BLK,-	0.21	M	SA
5	DC67-00327A	CAP-DRAWER HOOK	HEBA-PJT,EPDM,T1.1,W13.9/ L10.8,H9.2,BLK,-	1	PC	SNA
6	DC97-16006A	ASSY S.HOUSING DRAWER	HEBA BIGBANG,WF0800NCE,PP	1	PC	SNA
7	DC72-00021A	SPONGE-HOUSING DRAWER	Q1635V,PE-FOAM,-,-,OD6,L170,WHT,-	1	PC	SNA
8	DC62-00012D	FILTER-GUIDE	HEBA-PJT,PU- FOAM,T12,W20,L15,BLK,30PPI	1	PC	SA

## 5-7. SMALL PARTS (WF0804Y8E/XEF)



### MODEL CODE: WF0804Y8E/XEF

Service Bom (SA: SERVICE AVAILABLE, SNA: SERVICE NOT AVAILABLE)

Drawing No.	Code No.	Description	Specification	Install. Point	QTY	Un	SA/SNA
1	DC61-01736A	HOLDER-WIRE	SEW-HKR149ATA,NYLON66,-,-,128,-,NEW-K4 PJT	FRAME-PLATE(U)	2	PC	SA
1	DC61-01736A	HOLDER-WIRE	SEW-HKR149ATA,NYLON66,-,-,128,-,NEW-K4 PJT	FRAME+MAIN(WIRE)	1	PC	SA
2	DC61-40081A	HOLDER-WIRE	DAWH-2NC,NYLON,NTR(PI18.5)	FRM+H-DRAIN+P-CODE	3	PC	SNA
2	DC61-40081A	HOLDER-WIRE	DAWH-2NC,NYLON,NTR(PI18.5)	WIRE+FRAME(BACK_LO)	3	PC	SNA
2	DC61-40081A	HOLDER-WIRE	DAWH-2NC,NYLON,NTR(PI18.5)	WIRE+FRAME(BACK_R)	3	PC	SNA
2	DC61-40081A	HOLDER-WIRE	DAWH-2NC,NYLON,NTR(PI18.5)	WIRE+FRAME(PLATE_L)	1	PC	SNA
3	DC61-40083A	HOLDER-WIRE	DAWH-3ND,NYLON,NTR(PI25)/NYLON66	FRAME+HOSE(O)	1	PC	SNA
4	DC61-00133A	CLAMPER HOSE-FIX	P1291,PP,ID24.5,OD29.5,HOSE+PLUG,BJ-730	FRM+H-DRAIN+P-CODE	1	PC	SNA
5	DC61-00118A	CLAMPER HOSE-FIX	P1291,NYLON66,ID27,OD30	H-DRAIN(O)+FRAME	1	PC	SNA
6	DC61-40086A	HOLDER-WIRE	DAWH-3NB,NYLON66,-,-,-,NTR(PI15)	WIRE+FRAME(BACK_U)	2	PC	SA

## 5-8. PARTS LIST (OTHERS PARTS)

### MODEL CODE: WF0804Y8E/XEF

Service Bom (SA: SERVICE AVAILABLE, SNA: SERVICE NOT AVAILABLE)

Code No.	Description	Specification	Install. Point	QTY	Un	SA/SNA
6002-000445	SCREW-TAPPING	TH,+,2,M4,L18,PASS,STS304	P-CONT+H-DRAWER	2	PC	SA
6002-000520	SCREW-TAPPING	TH,+,-,2,M4, L12,ZPC(WHT),SWRCH18A,-	P-CONTROL+F-PLATE(U)	3	PC	SA
6002-001313	SCREW-HEX	HWH,+,-,M6.5,L25,ZPC(WHT), SWRCH18A,2,SERATION	T-FRONT+T-BACK	15	PC	SA
6003-000226	SCREW-TAPTYPE	TH,+,-,S,M4, L8,ZPC(WHT),SWRCH18A,-	W/V(C)+FRAME	2	PC	SC
6006-001170	SCREW-TAPPING	TH,+,WT,TC,M4,L10,ZPC(WH T),SWRCH18A,-	COVER-MOTOR+EARTH	1	PC	SA
6009-001342	SCREW-SPECIAL	TH,+,-,M5,L11,ZPC(WHT),SW RCH18A,MACHINE,2BODY	F-PLATE(U)+T/COVER	2	PC	SA
6009-001343	SCREW-SPECIAL	PH,TORX,M4,L10,ZPC(WHT), SWRCH18A,1,2BODY	P-CODE+FRAME	1	PC	SA
6009-001476	SCREW-HEX	HEX,+,M5,L10,ZPC(WHT),SW RCH18A,2	COVER-TOP+FRAME	2	PC	SA
DC97-14006C	ASSY SCREW	GRIFFIN-PJT,WF9904RWE, SWRCH18A,M4*L16	PLATE(L)+PUMP	2	PC	SA

## 5-9. PARTS LIST (SCREW PARTS)

### MODEL CODE: WF0804Y8E/XEF

Service Bom (SA: SERVICE AVAILABLE, SNA: SERVICE NOT AVAILABLE)

Code No.	Description	Specification	QTY	Un	SA/SNA
6001-000115	SCREW-MACHINE	BH,+,-,M3,L10,ZPC(WHT),SWRCH18A,-,-	5	PC	SNA
6002-000215	SCREW-TAPPING	TH,+,-,NO,1,M4,L16,ZPC(WHT),SWRCH18A	2	PC	SNA
6002-000234	SCREW-TAPPING	TH,+,-,2S,M4,L16,ZPC(WHT),SWRCH18A,-	3	PC	SNA
6002-000239	SCREW-TAPPING	TH,+,-,2S,M4,L8,ZPC(WHT),SWRCH18A,-	2	PC	SA
6002-000444	SCREW-TAPPING	TH,+2,M4,L14,PASS,STS430	12	PC	SNA
6002-000445	SCREW-TAPPING	TH,+2,M4,L18,PASS,STS304	2	PC	SA
6002-000473	SCREW-TAPPING	TH,+,-,NO,1,M4,L14,PASS,STS304	2	PC	SA
6002-000520	SCREW-TAPPING	TH,+,-,2,M4,L12,ZPC(WHT),SWRCH18A,-	3	PC	SA
6002-001306	SCREW-TAPPING	TH,+,-,1,M4,L14,ZPC(WHT),SWRCH18A,-	16	PC	SNA
6002-001313	SCREW-HEX	HWH,+,-,M6.5,L25,ZPC(WHT),SWRCH18A,2,SERATION	15	PC	SA
6002-001435	SCREW-TAPPING	TH,+2,M4,L12,PASS,STS430	5	PC	SNA
6002-001436	SCREW-TAPPING	PH,+2,M4,L18,ZPC(WHT),SWRCH18A	6	PC	SNA
6002-001438	SCREW-TAPPING	HWH,+,-,1,M5,L12,ZPC(WHT),SWRCH18A,SEPERATOR	4	PC	SNA
6003-000226	SCREW-TAPTYPE	TH,+,-,S,M4,L8,ZPC(WHT),SWRCH18A,-	2	PC	SC
6003-001768	SCREW-TAPTYPE	TH,+WT,S,M4,L10,ZPC(WHT),SWRCH18A	2	PC	SNA
6006-001170	SCREW-TAPPING	TH,+WT,TC,M4,L10,ZPC(WHT),SWRCH18A,-	1	PC	SA
6006-001174	SCREW-TAPPING	TH,+WE,2S,M4,L12,ZPC(WHT),SWRCH18A	13	PC	SNA
6009-001342	SCREW-SPECIAL	TH,+,-,M5,L11,ZPC(WHT),SWRCH18A,MACHINE,2BODY	2	PC	SA
6009-001343	SCREW-SPECIAL	PH,TORX,M4,L10,ZPC(WHT),SWRCH18A,1,2BODY	1	PC	SA
6009-001476	SCREW-HEX	HEX,+M5,L10,ZPC(WHT),SWRCH18A,2	2	PC	SA
6009-001522	SCREW-HEX	HEX,+,-,M5,L16,PASS,STS430,FP,NYLOCK	2	PC	SA
DC97-14006C	ASSY SCREW	GRIFFIN-PJT,WF9904RWE,SWRCH18A,M4*L16	2	PC	SA



---

**MEMO**

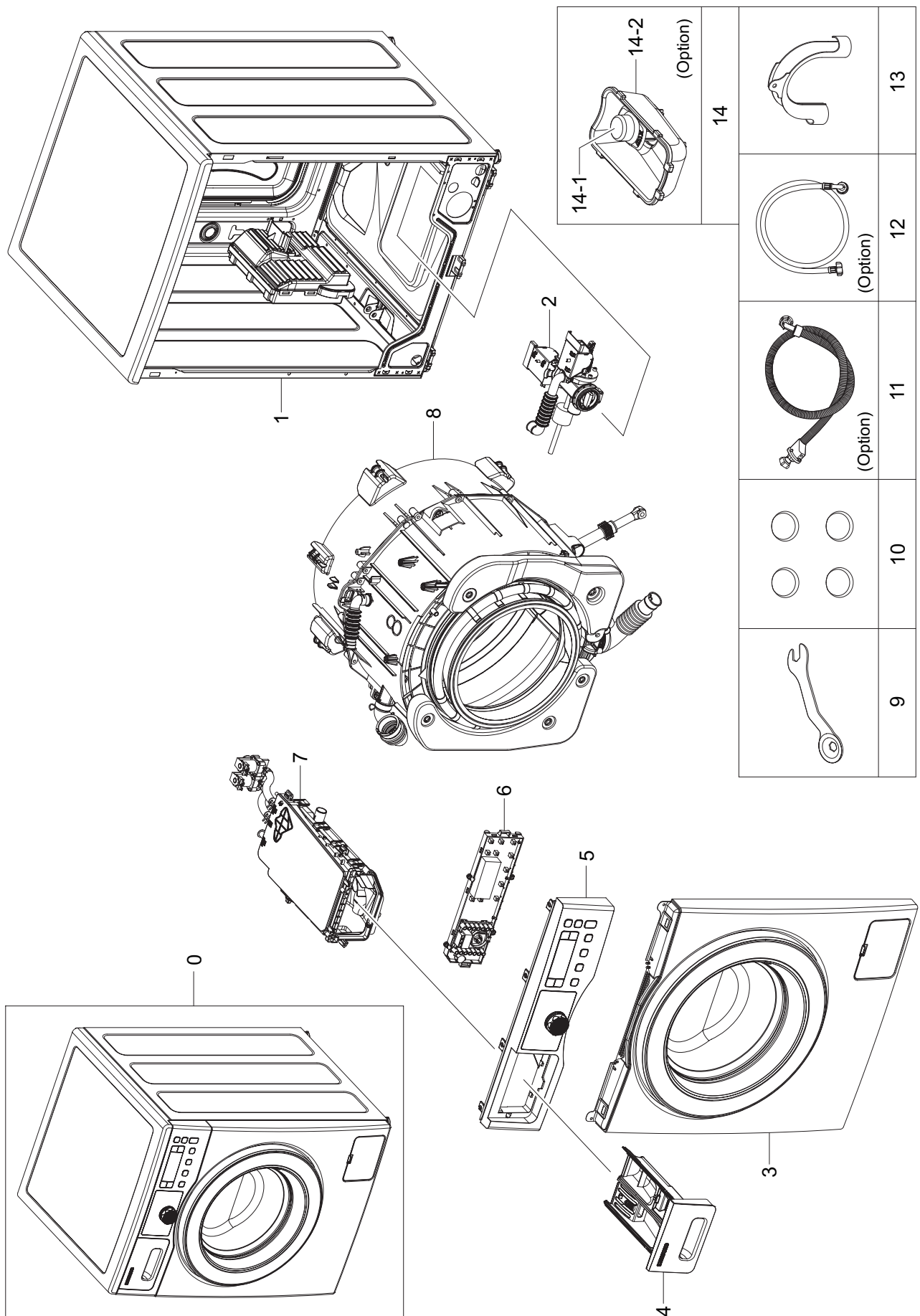
---

---

**Exploded views and Parts list \_ 57**



# 5-9. MAIN (WF0104W8N1/XZS)



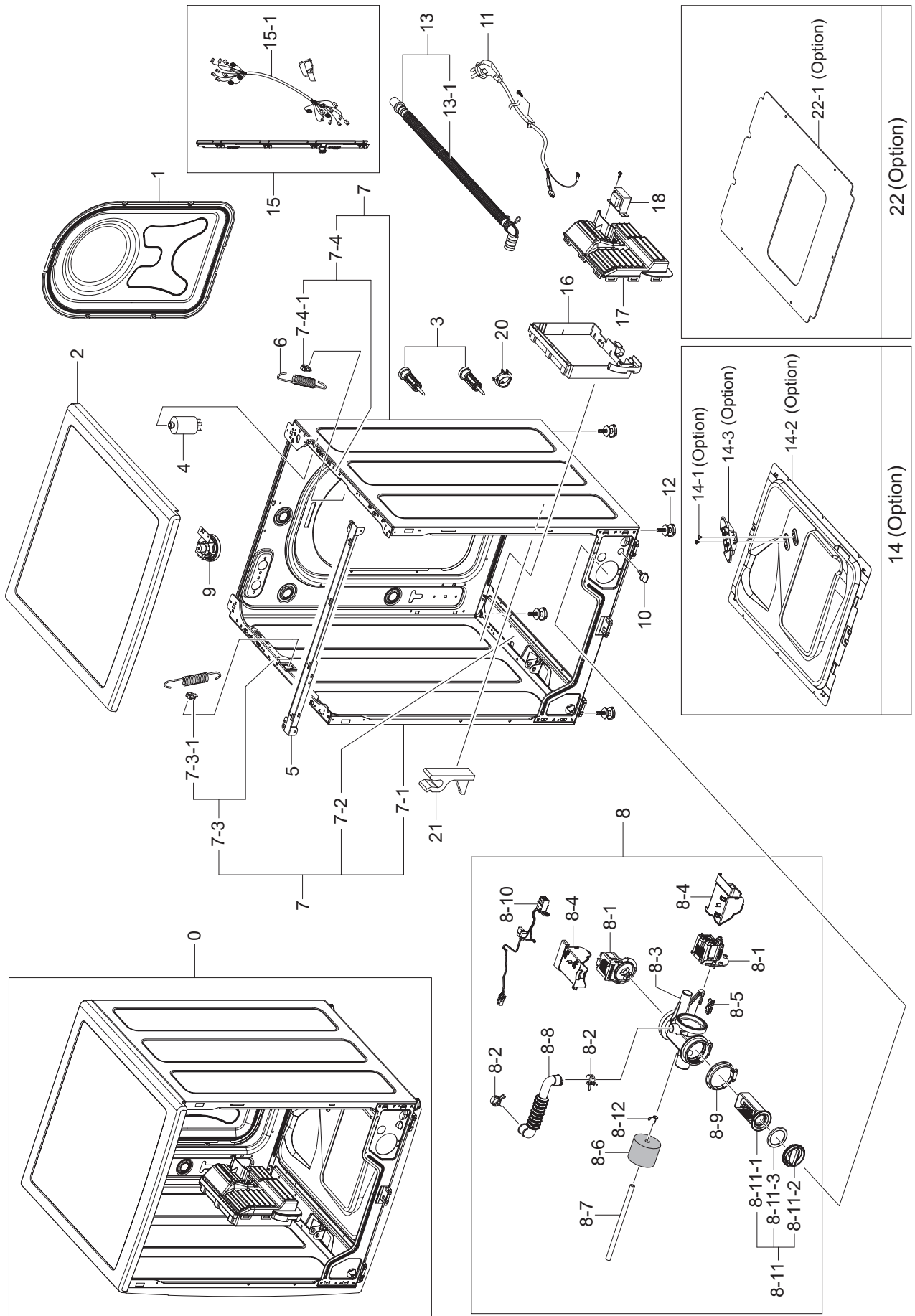
58 \_ Exploded views and Parts list

## MODEL CODE: WF0104W8N1/XZS

Service Bom (SA: SERVICE AVAILABLE, SNA: SERVICE NOT AVAILABLE)

Drawing No.	Code No.	Description	Specification	QTY	Un	SA/SNA
0	WF0104W8N1/ XZS	ASSY-WASHING MACHINE	SCOUT			
1		FRAME & COVER PARTS	Refer to 5.2 Frame & Cover Parts	1		
2	DC97-15696E	ASSY PUMP DRAIN	SCOUT-PJT,WF0804Y8E/XEF,BUBBLE/ ASSY WIRE,50HZ,HANYU	1	PC	SNA
3	DC97-16454B	ASSY FRAME FRONT	HEBA-PJT,WF8702RSS1/XEU	1	PC	SNA
4	DC97-16655B	ASSY PANEL DRAWER	SCOUT,WF0804Y8E1/XEF,8	1	PC	SNA
5	DC97-16414R	ASSY PANEL CONTROL	SCOUT,WF0104W8N/XZS,D	1	PC	SNA
6	DC92-00312B	ASSY PCB SUB	SCOUT SUB,WF0804W8E,8KG,230	1	PC	SA
7	DC97-16005C	ASSY HOUSING DRAWER	SCOUT,WF0804Y8E,COLD	1	PC	SNA
8	DC90-06464A	ASSY TUB&DRUM	SCOUT,WF0804Y8E1/XEF	1	PC	SNA
9	DC60-40146A	BOLT-SPANER	-,CR,-,T2.5,OD36,-,-,-,-	1	PC	SA
10	DC67-00307A	CAP-FIXER	WF438AAC/XAA,PP,T1.5,Φ33,- ,WHT,PURPLE-PJT	4	PC	SA
11	DC67-00230E	HOSE-WATER	WD8704,TPE,ID4.5,OD8.0,T1.75,	1	PC	SA
13	DC62-10278A	HOSE-HANGER	PP,NTR,JS20 RESIN	1	PC	SNA
14	-	ASSY COVER DRAWER	-	-	PC	SA
14-1	DC67-00524A	CAP-DRAWER	WF0804Y8E/ XEF,PP,T2.0,W27,L43.2,BLUE	1	PC	SA
14-2	DC61-02581A	GUIDE-LIQUID(M)	WF0800NCE,PP,T2.0,W61,L118,SOAP BLUE	1	PC	SNA

# 5-11. FRAME & COVER PARTS (WF0104W8N1/XZS)



60 \_ Exploded views and Parts list



## MODEL CODE: WF0104W8N1/XZS

Service Bom (SA: SERVICE AVAILABLE, SNA: SERVICE NOT AVAILABLE)

Drawing No.	Code No.	Description	Specification	QTY	Un	SA/SNA
0		FRAME & COVER PARTS		1		
1	-	ASSY COVER BACK	-	1	PC	SA
2	DC97-14953B	ASSY COVER TOP	HEBA-PJT,WF8802DPF(SIL)15	1	PC	SA
3	DC97-14653C	ASSY FIXER TUB	SCOUT,WF0804Y8E/XEF	4	PC	SA
4	DC29-00015E	FILTER-EMI	LFT-215K-2,MINERVA-PJT,250VAC,15,5 3□,50/60Hz,CAN,VDE,-,-	1	PC	SA
5	DC97-15363A	ASSY FRAME PLATE(U)	HEBA,ALL,GI,T1.2,600*30*30,-	1	PC	SA
6	DC61-02029B	SPRING ETC-HANGER	HEBA 7kg,HSWR,CD3.5,ID24.8,OD26,L 159,TURNS 18 3/4,WHITE	2	PC	SA
7	DC97-16438L	ASSY FRAME	SCOUT 8KG,WF0804W8N1/XEG,PCM(	1	PC	SA
7-1	DC61-02938L	FRAME	SCOUT 8KG,GI-SGCC,DA- SILVER,T1.0,W	1	PC	SNA
7-2	DC61-03110A	FRAME-PLATE(L)	SCOUT-SSEC,GI-SGCC,NTR,T1	1	PC	SA
7-3	DC61-02914A	BRACKET-SPRING(R)	HEBA-SSEC,GI-SGCC,T1.4	1	PC	SNA
7-3-1	DC61-02065A	GUIDE-SPRING	WF448AAG/ XXA,POM,T4,W24,L25.5,WHT,-	1	PC	SA
7-4	DC61-02912A	BRACKET-SPRING(L)	HABA-SSEC,GI-SGCC,T1.4	1	PC	SNA
7-4-1	DC61-02065A	GUIDE-SPRING	WF448AAG/ XXA,POM,T4,W24,L25.5,WHT,-	1	PC	SA
8	DC97-15696E	ASSY PUMP DRAIN	SCOUT-PJT,WF0804Y8E/XEF,	1	PC	SA
8-1	DC31-00030A	PUMP-DRAIN	B20-6,220V,50Hz,-,HANYU	2	PC	SA
8-2	DC61-00158A	CLAMPER HOSE	SW65ASP,SK5,ID23,-,T0.8/YEL,	2	PC	SNA
8-3	DC61-02271B	CASE-PUMP	WF0804Y8E/XEF,PP,T2.5,W153.6,L133. 2,WHITE,2WAY/SEAU	1	PC	SA
8-4	DC63-00830A	COVER-PUMP	COVER-PUMP,PP,T2.1,W60.5,L75,5VA GRADE,WHT	2	PC	SNA
8-5	DC63-00905A	CUSHION-PUMP	WF8802DPF/XET,NBR,- ,W37.6,L11.6,BLK,-	1	PC	SNA
8-6	DC63-10003C	SPONGE-HOSE AIR	POL,GRY,SWF-P12,HB22-GREY,	1	PC	SNA
8-7	DC67-00244D	HOSE-DRAIN	-,EPDM,ID6,OD11,T0.6,L270,BLK,-	1	PC	SA
8-8	DC67-00461A	HOSE-AIR TUB	SCOUT- PJT,EPDM,T1.5,BLK	1	PC	SA
8-9	DC69-01128A	PACKING-PUMP	WF8804DP,RUB-OTH,BUTYL,T2.5,W74, L74,11.6,BLK,10.8g,-,-,HEBA-PJT	1	PC	SNA
8-10	DC93-00016C	ASSY WIRE HARNESS-PUMP	GRIFFIN,CIRCULTION+DRAIN	1	PC	SA
8-11	DC97-15695A	ASSY FILTER	GRIFFIN-PJT,WF9804RWE,PP	1	PC	SA
8-11-1	DC63-00998A	FILTER-PUMP	WF8702LSW,PP,T2.0,W52.8,L93.9,NTR, 2WAY/SEAU	1	PC	SNA
8-11-2	DC64-01317A	HANDLE-FILTER	HANDLE-FILTER,PP,T2.5,W55,L35,- ,BLK,-	1	PC	SNA
8-11-3	DC73-00022A	RUBBER-PACKING	SEW-HVR149ATA,EPDM,-,40,- ,BLK,-,-,-	1	PC	SNA
8-12	DD65-00001F	CLAMPER HOSE	SDW-H120,STEEL,-,D10.5/T1.2,-,-	1	PC	SNA

Exploded views and Parts list \_ 61

## MODEL CODE: WF0104W8N1/XZS

Service Bom (SA: SERVICE AVAILABLE, SNA: SERVICE NOT AVAILABLE)

Drawing No.	Code No.	Description	Specification	QTY	Un	SA/SNA
9	DC96-01703B	ASSY SENSOR PRESSURE	PURPLE PJT,PURPLE PJT,0~300mmH20,non pcb,-,-	1	PC	SA
10	DC61-10673A	CAP-DRAIN	SWF-P12,PP(TB53),-,-,-,WHT,-,-	1	PC	SNA
11	DC96-00001M	ASSY POWER CORD	CP3,250V 10A,CHILE	1	PC	SC
12	DC97-00920C	ASSY LEG	SEW-HW108,-,-,-,-,-	4	PC	SC
13	DC97-02250Z	ASSY HOSE DRAIN(O)	COMBO-PJT,L1920,OD25,	1	PC	SA
13-1	DC62-10022G	HOSE-PUMP	SWF-P12,PP,ID21,OD26,-,L2200,W	1	PC	SA
14	-	ASSY PLATE BOTTOM	-	-	PC	SA
14-1	-	SCREW-TAPPING	-	-	PC	SA
14-2	-	COVER-BOTTOM	-	-	PC	SNA
14-3	-	ASSY SENSOR POLE	-	-	PC	SA
15	DC93-00272B	ASSY M.GUIDE WIRE HARNESS	SCOUT,WF0904W8	1	PC	SA
15-1	DC96-00929J	ASSY WIRE HARNESS	SCOUT,WF0804Y8E,230/50	1	PC	SA
16	DC92-00315C	ASSY PCB MAIN	SCOUT,WF0804W8E,8KG,230V/5	1	PC	SA
17	DC63-01040A	COVER-PCB(M)	WF9904RWE/XEU,ABS,T2.5,W196	1	PC	SNA
18	DC26-00009D	TRANS-REACTORV	-,SEW-3HR105,-,-,220V,60HZ,-,-,-,-,-,-,-,-,-,-,-,K2/3PHASE	1	PC	SA
20	DC61-00274A	GUIDE-HOSE	P/PV/M,PP,-,-,-,-,WHT,FRAME/DRAIN-HOSE	1	PC	SA
21	DC61-02646A	GUIDE-HOSE	WF0804Y8E,PP,T2.0,W10.0,L36.6	1	PC	SA
22	DC64-01757A	SHUTTER	HEBA-PJT,PP,T3.0,-,-,WHT,7kg/DAN	1	PC	SA



---

**MEMO**

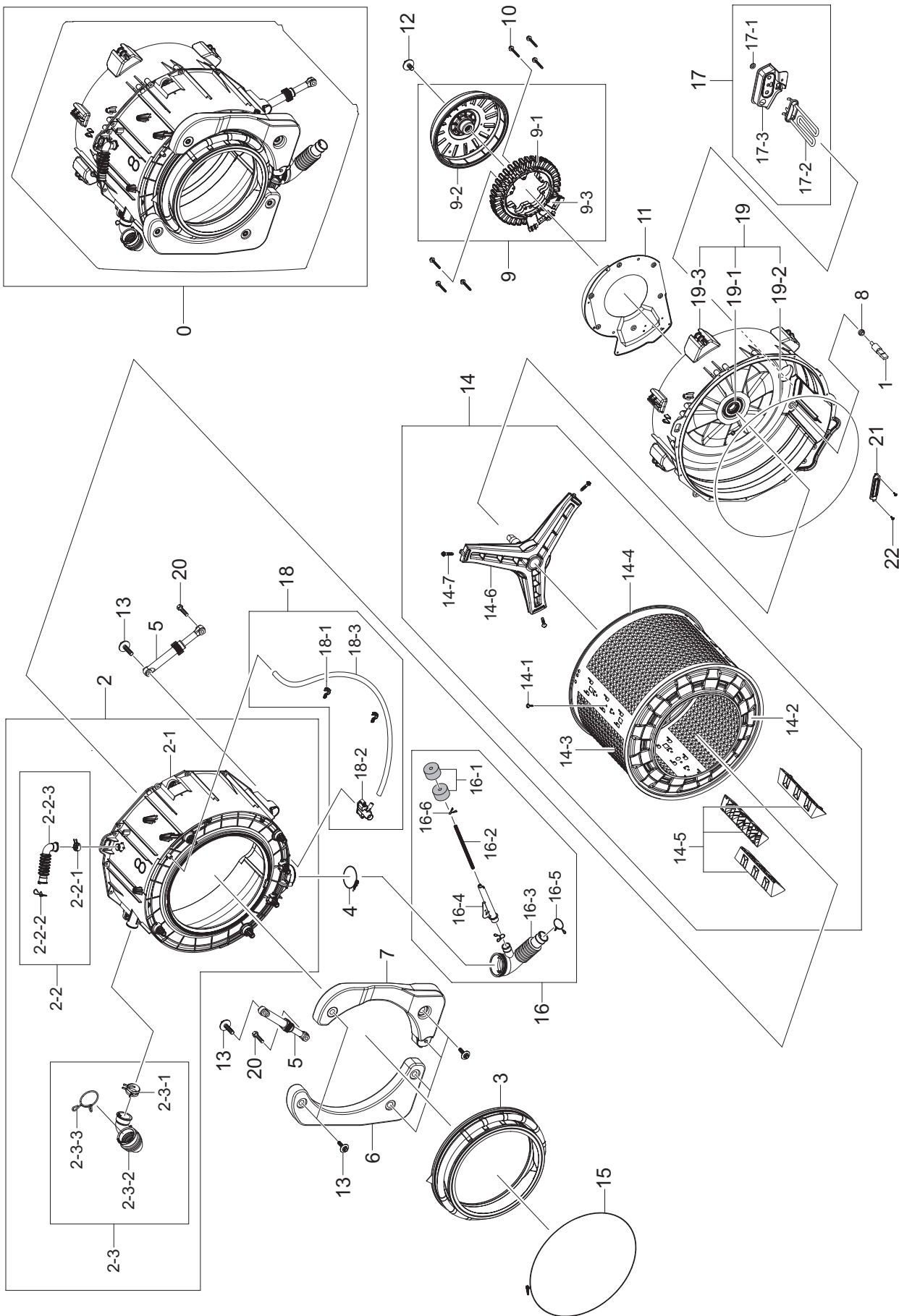
---

---

**Exploded views and Parts list \_ 63**



# 5-12.ASS'Y TUB&DRUM (WF0104W8N1/XZS)



64 \_ Exploded views and Parts list

## MODEL CODE: WF0104W8N1/XZS

Service Bom (SA: SERVICE AVAILABLE, SNA: SERVICE NOT AVAILABLE)

Drawing No.	Code No.	Description	Specification	QTY	Un	SA/SNA
0	DC90-06464A	ASSY TUB&DRUM	SCOUT,WF0804Y8E1/XEF	1	PC	SNA
1	DC32-00010B	THERMISTOR	NTSF0123XZ004,R=3.243KΩ±2%(at	1	PC	SA
2	DC97-16460G	ASSY SEMI TUB FRONT	Heba,1400RPM,8KG,FRP	1	PC	SA
2-1	DC61-01932D	TUB-FRONT	HEBA PJT,FRPP- GF15%,ID528,OD575,NTR,8KG/AIR- HOLE	1	PC	SA
2-2	DC67-00298A	HOSE-AIR	HEBA PJT,EPDM,-,-,T2.5,-,BLK,-	1	PC	SA
2-2-1	DC61-00158A	CLAMPER HOSE	SW65ASP,SK5,ID23,-,T0.8/YEL,	1	PC	SNA
2-2-2	DC65-60118J	BAND-RING	-,HSWR,-,-,-,WHT,PI2.0/ID23	1	PC	SNA
2-2-3	DC67-00298A	HOSE-AIR	HEBA PJT,EPDM,-,-,T2.5,-,BLK,-	1	PC	SA
2-3	DC67-00051B	HOSE-DRAWER	Q1636GW/XEU,EPDM,ID9.0,OD14.	1	PC	SA
2-3-1	DC61-00133A	CLAMPER HOSE-FIX	P1291,PP,ID24.5,OD29.5,	1	PC	SNA
2-3-2	DC67-00422A	HOSE-DRAWER TUB	HEBA- PJT,EPDM,ID42.5,OD46.5,T2.0,BLK	1	PC	SA
2-3-3	DC72-00001G	BAND-RING	HEBA-PJT,HSWR,PI3.0,W21.5,ID49.5,W HT,HOSE-DRAWER + TUB-FRONT	1	PC	SNA
3	DC64-01602A	DOOR-DIAPHRAGM	HEBA-PJT,EPDM,T2.0,-,-,- ,GRY,WASHER	1	PC	SA
4	DC65-00021A	CLAMPER HOSE-JOINT	HEBA PJT,HSWR,-,ID74/OD78,WHT,-	1	PC	SNA
5	DC66-00421B	DAMPER-SHOCK	HEBA-SSEC PJT,PP,L215,80N	2	PC	SA
6	DC97-16008A	ASSY WEIGHT BALANCER-(L)	SCOUT-PJT,WF0804Y8E/ XEF,6.5KG,PP+CONCRETE	1	PC	SA
7	DC97-15966A	ASSY WEIGHT BALANCER-(R)	SCOUT-PJT,WF0804Y8E/ XEF,6.5KG,PP+CONCRETE	1	PC	SA
8	DC69-00824A	PACKING-THERMISTOR	GW-PJT,EPDM,EPDM,-,W17,- ,H11,BLACK,1.25g,-,-,-	1	PC	SA
9	DC96-01218E	ASSY DD BLDC MOTOR	DON800,25MM/AL WIRE/0.85PI/94T,B,F ree,Free,1400	1	PC	SA
9-1	DC31-00074B	MOTOR BLDC-ASSY STATOR	DON800,0~1400,-,Free,5A,- ,DC,800W,DON800,0.85PI,94T,-,-, ,130°C,258.3*25	1	PC	SA
9-2	DC31-00075E	MOTOR BLDC-ASSY ROTOR	DON800,0~1400,-,Free,5A,- ,-,800W,DON800,7BD, inner serration,-,-,-,130,-	1	PC	SA
9-3	DC31-00076A	MOTOR BLDC-ASSY HALL SENSOR	DON1300,0~1200,-,DC310V,0.5A,-,DC,- ,ASSY HALL SENSOR,ASSY HALL SENSOR,-,-,-,130C	1	PC	SA
10	6011-001627	BOLT-ETC	M6,L56,MFZn,SCM435,P1.0/HEX/WSP	6	PC	SA
11	DC63-01294A	COVER-MOTOR	SCOUT,EGI-SECC,T0.8,W75.1,L2	1	PC	SA
12	DC97-14263A	ASSY BOLT	HEBA-PJT,MOTOR/ BOLT(M8)+WASHER(OD28.6),-,-,-	1	PC	SA
13	DC97-14263A	ASSY BOLT	HEBA-PJT,MOTOR/ BOLT(M8)+WASHER(OD28.6),-,-,-	2	PC	SA
13	DC97-14263A	ASSY BOLT	HEBA-PJT,MOTOR/ BOLT(M8)+WASHER(OD28.6),-,-,-	6	PC	SA

Exploded views and Parts list \_ 65

## MODEL CODE: WF0104W8N1/XZS

Service Bom (SA: SERVICE AVAILABLE, SNA: SERVICE NOT AVAILABLE)

Drawing No.	Code No.	Description	Specification	QTY	Un	SA/SNA
14	DC97-14371D	ASSY DRUM	GE 24INCH WASHER,WCVH4800K,598*850,1000~1200RPM,T0.5,-	1	PC	SA
14-1	6002-001435	SCREW-TAPPING	TH,+2,M4,L12,PASS,STS430	3	PC	SNA
14-2	DC66-00489B	DRUM-FRONT	HEBA PJT(8kg),STS430,ID492,OD492.4,-,-,T0.5	1	PC	SNA
14-3	DC66-00491A	DRUM-WRAPPER	HEBA	1	PC	SNA
14-4	DC66-00492A	DRUM-BACK	HEBA PJT,STS430,ID492,OD492.4,T0.5	1	PC	SNA
14-5	DC66-00493A	DRUM-LIFTER	HEBA PJT,PP-TI42,-,-,L246,NTR,7/8KG	3	PC	SA
14-6	DC97-14370E	ASSY FLANGE SHAFT	SSEC HEBA DD,WD0804W8N	1	PC	SA
14-7	DC60-40137A	BOLT-HEX	MARS-PJT,STS430,M8,-,P1.25,L30,-,-,HEX/KNURING	3	PC	SA
15	DC91-12077G	ASSY CLAMP DIAPHRAGM	AEGIS,WF8500NHW/YLP	1	PC	SA
16	DC97-14637G	ASSY HOSE PRESSURE	SCOUT COMBO,WD0804W8N	1	PC	SA
16-1	DC63-10003C	SPONGE-HOSE AIR	POL,GRY,SWF-P12,HB22-GREY,	1	PC	SNA
16-2	DC67-00230E	HOSE-WATER	WD8704,TPE,ID4.5,OD8.0,T1.75,L635,BLK	1	PC	SNA
16-3	DC67-00293A	HOSE-FILTER TUB	HEBA-PJT,EPDM,-,-,T2.5,-,-,BLK,-	1	PC	SA
16-4	DC67-00598A	HOSE-JIONT AIR	WD0804W8N1/YAH,PP,ID36.2,	1	PC	SNA
16-5	DC72-00001H	BAND-RING	HEBA-PJT,HSWR,PI3.0,ID35,-,WHT,HOSE-FILTER+PUMP-CASE	1	PC	SNA
16-6	DC61-70029C	SPRING-CLIP	SEW-HW125,HSWR67,CD1.2,ID8.5,OD10.9,-,-,-,WHT,-,-	1	PC	SA
17	DC47-00033A	HEATER-WASH	HEBA,SUS316L+CERAMIC COATING	1	PC	SA
17-1	DC60-60044B	WASHER-PLAIN	-,SBC,ID8.4/OD30,T2.0,-,-,-	1	PC	SNA
17-2	DC47-00033A	HEATER-WASH	HEBA,SUS316L+CERAMIC COATING,2000,8.69,230V,26.46,8.5mm,220mm,Double Fuse (167°C, Cut Off Time 70±20s)	1	PC	SNA
17-3	-	COVER-HEATER	-	-	PC	SA
18	DC97-15993A	ASSY HOSE-CIRCULATION	SCOUT,WF0804Y8E,EPDM,L685.2,OD14.5,BLACK	1	PC	SNA
18-1	DC61-02646A	GUIDE-HOSE	WF0804Y8E,PP,T2.0,W10.0,L36.6,NATURAL,SCOUT-PJT	2	PC	SNA
18-2	DC67-00462A	HOSE-CONNECTOR	WF0804Y8E,PP,NTR,SCOUT-PJT	1	PC	SNA
18-3	DC67-00471A	HOSE-CIRCULATION	WF0804Y8E,EPDM,ID9.0,OD14.5,L703,BLK,SCOUT-PJT	1	PC	SNA
19	DC97-16461C	ASSY TUB BACK	Heba PJT,WD0804W8N1/YAH,8.	1	PC	SA
19-1	DC62-00008A	SEAL-OIL	-,NBR(SD35),BLK,-,-,-,NBU(PI15)	1	PC	SA
19-2	DC69-01154A	PACKING-TUB	WF8804DP,EPDM,EPDM,T5.0,-,L1650,-,BLK,20g,-,-,-	1	PC	SA
19-3	DC97-16462D	ASSY SEMI TUB BACK	SCOUT,WF0804Y8E1/XEF,	1	PC	SNA
20	DC60-40144A	BOLT-HEX	SM10C,L41,ZPC2(YEL),M10,ZPC2(YE	2	PC	SA
21	DC61-02874A	BRACKET-HEATER	WD0704CQR,STAINLESS-STS43	1	PC	SA

## 66 \_ Exploded views and Parts list

---

# MEMO

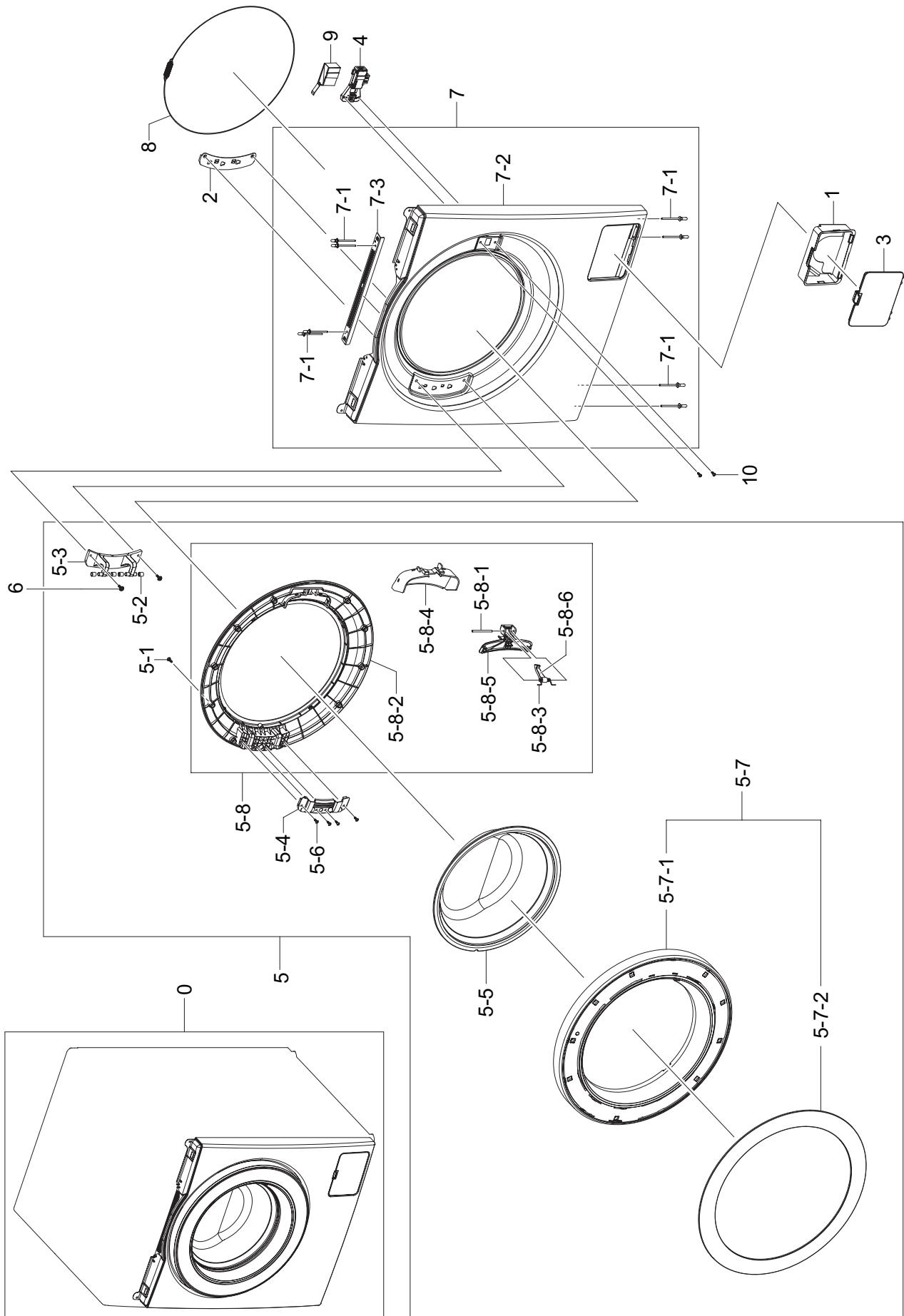
---

## MODEL CODE: WF0104W8N1/XZS

Service Bom (**SA**: SERVICE AVAILABLE, **SNA**: SERVICE NOT AVAILABLE)

Drawing No.	Code No.	Description	Specification	QTY	Un	SA/SNA
22	6002-000471	SCREW-TAPPING	TH,+,-,1,M4,L12,PASS,STS30	2	PC	SA

5-13.ASS'Y FRAME FRONT (WF0104W8N1/XZS)



68 \_ Exploded views and Parts list

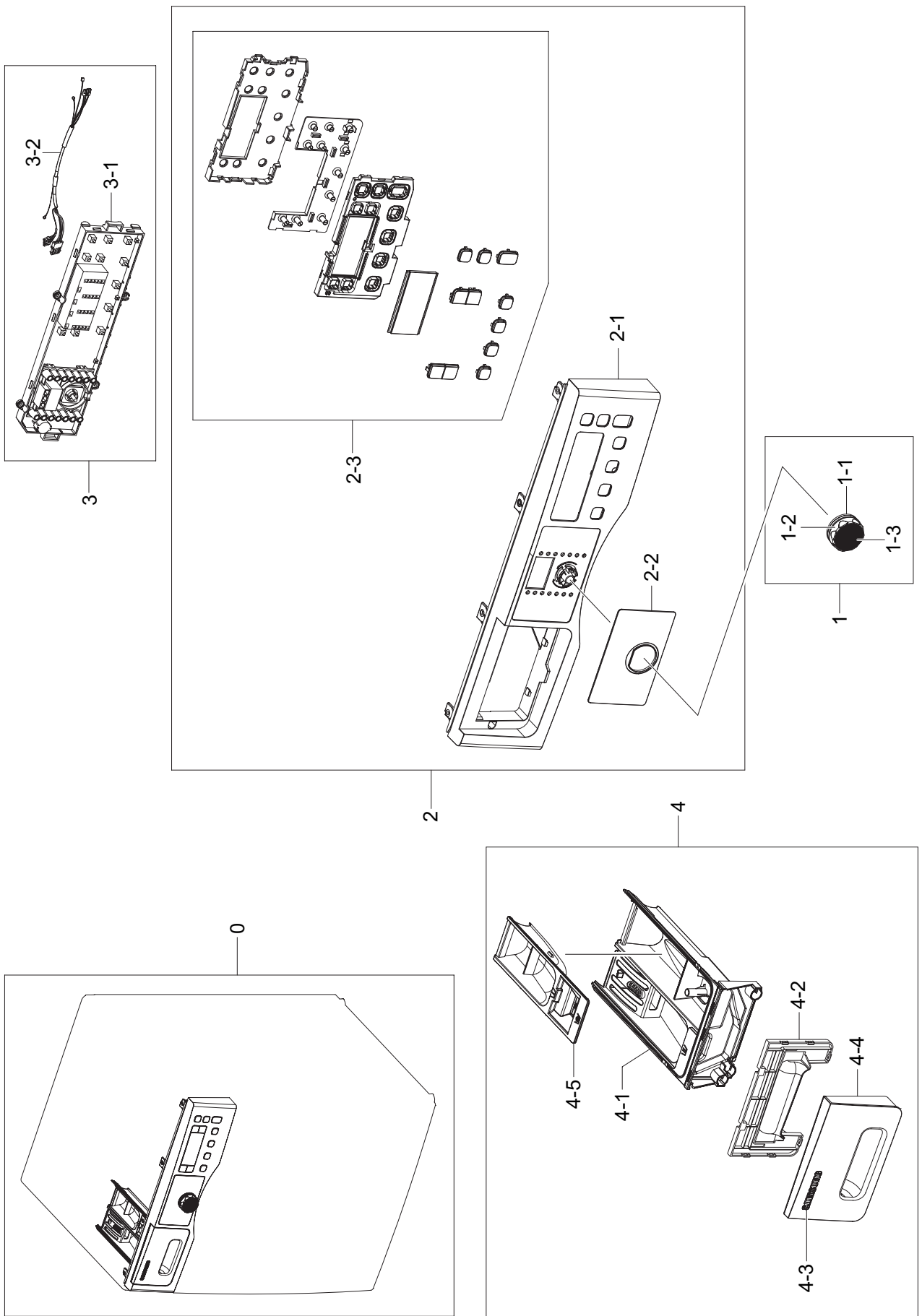


## MODEL CODE: WF0104W8N1/XZS

Service Bom (SA: SERVICE AVAILABLE, SNA: SERVICE NOT AVAILABLE)

Drawing No.	Code No.	Description	Specification	QTY	Un	SA/SNA
0	DC97-16454B	ASSY FRAME FRONT	HEBA-PJT,WF8702RSS1/XEU	1	PC	SNA
1	DC61-01917A	GUIDE-FILTER	WF8804DP,PP,T2.5,W300,L200,WHT,-	1	PC	SA
2	DC61-01919A	BRACKET-HINGE	WF8804DP,GI,T1.4,W30,L150,-,TAP	1	PC	SA
3	DC63-01287B	COVER-FILTER	WF8702RSS1/XEU,ABS,SILVER	1	PC	SA
4	DC64-01538A	DOOR-LOCK S/W	ZV-446L5,PA66,T19.5,-,W95.3,-,BLK,250V/16A	1	PC	SA
5	DC97-14343R	ASSY DOOR	SCOUT,WF0804Y8E1/XEF,ABS,T2.5,	1	PC	SNA
5-1	6002-000444	SCREW-TAPPING	TH,+,-,2,M4,L14,PASS,STS430	12	PC	SNA
5-2	DC61-00891A	GUIDE-HINGE	HAUZEN(DOM),POM,-,-,-,WHT,HINGE	4	PC	SA
5-3	DC61-01910A	HINGE-DOOR	WF8804DP,ALDC,T5.0,W30,L150,-,-,Ni	1	PC	SA
5-4	DC61-01915B	BRACKET-HOLDER	WF8804DP,GI,T1.2,W45,L160,-,-	1	PC	SA
5-5	DC64-01521A	DOOR-GLASS	WF8804DP,NON-HeatTreatment GLASS,T5.0,H100.5,-,-,NAT,BOROSILICATE	1	PC	SA
5-6	6002-000520	SCREW-TAPPING	TH,+,-,2,M4,L12,ZPC(WHT),S	4	PC	SNA
5-7	DC97-14328F	ASSY COVER DOOR	GRIFFIN-PJT,WF9904RWE, ABS+STS430,CR+HAIR LINE	1	PC	SA
5-7-1	DC63-00855A	COVER-DOOR	WF8804DP,ABS,T3.0,W480,L480,-,-,WHT,CR	1	PC	SNA
5-7-2	DC64-01930A	DECORATION-DOOR	WF9904RWE/XEU,STS430,T0.5,W463 ,NTR,GRIFFIN PJT	1	PC	SNA
5-8	DC97-15375C	ASSY HOLDER GLASS	HEBA-PJT,WF8804DPA/XEO	1	PC	SNA
5-8-1	DC64-00564A	HANDLE-PIN	Q1636GW/XEU,STS,-,-,-,-,TS-	1	PC	SA
5-8-2	DC61-01909A	HOLDER GLASS	WF8804DP,PP,T3.0,W480,L480,GRY,M T43HG RESIN	1	PC	SA
5-8-3	DC61-02027A	SPRING ETC-LEVER	-,STS304,-,-,OD1.1,L15,6 TURNS,T1.1,-,-,-	1	PC	SA
5-8-4	DC63-00853A	COVER HANDLE	WF8804DP,ABS,T2.5,W60,L125,-,-,GRY,-	1	PC	SA
5-8-5	DC64-01524A	HANDLE DOOR	WF8804DP,ABS,T2.5,W25,L125,-,GRY,-	1	PC	SA
5-8-6	DC66-00497A	LEVER-DOOR	WF8804DP,ZNDC,T10,W10,L35,-,-,NI	1	PC	SA
6	6009-001522	SCREW-HEX	HEX,+,-,M5,L16,PASS,STS430,FP,NYLOCK	2	PC	SA
7	DC97-15021H	ASSY FRAME FRONT(S)	HEBA-PJT,WF8804DPA/X	1	PC	SA
7-1	DC60-00018A	RIVET-PLATE	-,MSWR,D3.9,-,-,L30,WHT,-,-	4	PC	SNA
7-2	DC61-02919A	FRAME-FRONT	WF8804HPA,EGI-SECC,T0.8	1	PC	SNA
7-3	DC61-01981A	BRACKET-FRAME	WF8804DP,GI,T0.8,W20,L310,-,-	1	PC	SNA
8	DC91-12078D	ASSY WIRE DIAPHRAGM	HEBA-PJT,-,-,-,-,-	1	PC	SA
9	DC63-00967A	COVER-DOOR SWITCH	AEGIS-PJT/ WF8500NHW,PP,T2.5,W2 5.9,L90.2,5VA GRADE,NTR,ZV-446	1	PC	SA
10	6002-000471	SCREW-TAPPING	TH,+,-,1,M4,L12,PASS,STS304,-	2	PC	SA

5-14. PANEL-CONTROL & DRAWER (WF0104W8N1/XZS)

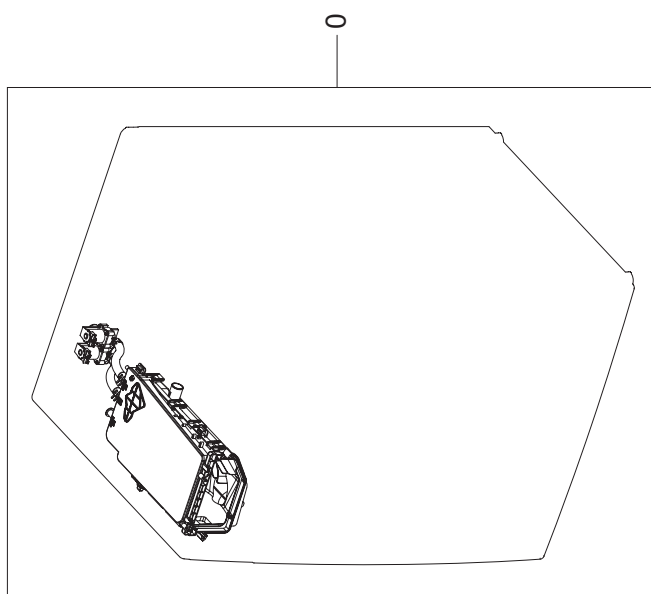
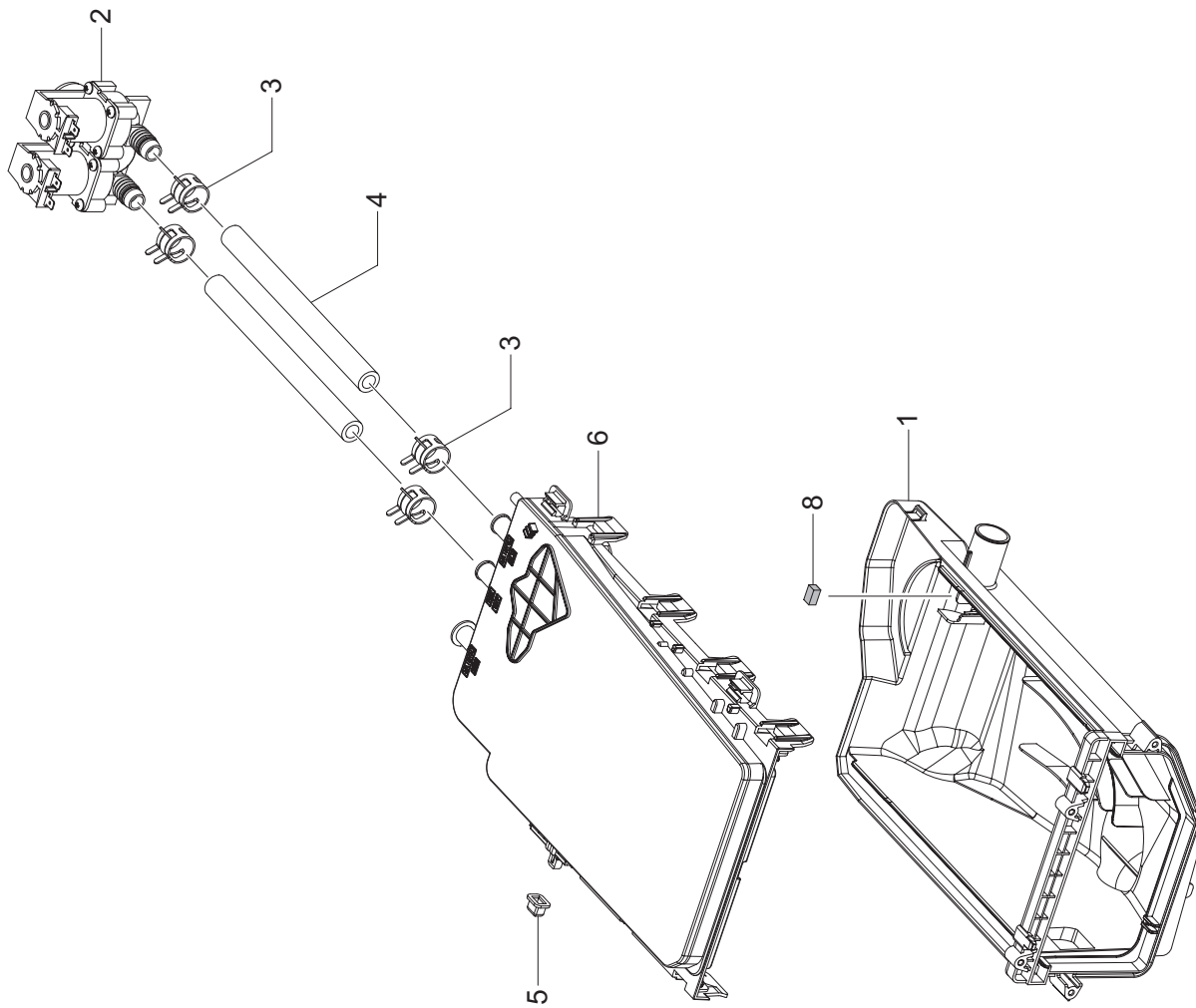


70 \_ Exploded views and Parts list

**MODEL CODE: WF0104W8N1/XZS**Service Bom (**SA**: SERVICE AVAILABLE, **SNA**: SERVICE NOT AVAILABLE)

Drawing No.	Code No.	Description	Specification	QTY	Un	SA/SNA
0		Panel-Control & Drawer		1		
1	DC97-15723B	ASSY KNOB ENCODER	GRIFFIN-PJT,WF9904RWE,	1	PC	SA
1-1	DC64-01927A	KNOB-ENCODER	WF9904RWE/XEU,ABS,T2.5,W49.8,L37.9,BLACK,GRIFFIN-PJT	1	PC	SNA
1-2	DC64-01931A	DECORATION-ENCODER	WF9904RWE/XEU,ABS,T2.2,W50.8,L14.7,DA WHITE,GRIFFIN-PJT	1	PC	SNA
1-3	DC64-01988B	DECORATION-ENCODER(I)	GRIFFIN-PJT,PC,T1.	1	PC	SC
2	DC97-16414R	ASSY PANEL CONTROL	SCOUT,WF0104W8N/XZS,D	1	PC	SA
2-1	DC64-02165B	PANEL-CONTROL	WF0804W8N,ABS,T2.5,W143.8,	1	PC	SNA
2-2	DC64-02170A	WINDOW-ENCODER	WF0804Y8E,PMMA,T2.0,W157,L95.5,T RANSPARENT,SCOUT	1	PC	SNA
2-3	DC97-16588D	ASSY BUTTON	SCOUT,WF0104W8N/XZS,DA-SILVE	1	PC	SA
3	DC92-00312B	ASSY PCB SUB	SCOUT SUB,WF0804W8E,8KG,230	1	PC	SA
3-1	DC61-02683A	GUIDE-PCB(S)	SCOUT-PJT,ABS,T2.5,NATURAL,BEST/BETTER	1	PC	SA
3-2	DC96-00929J	ASSY WIRE HARNESS	SCOUT,WF0804Y8E,230/50,8PIN,L220, RED TAPING	1	PC	SA
4	DC97-16005C	ASSY HOUSING DRAWER	SCOUT,WF0804Y8E,COLD	1	PC	SA
4-1	DC61-03129A	BODY-DRAWER	WF1802XEC/YLP,PP,T2.0,WHT,VO	1	PC	SNA
4-2	DC64-01527B	HANDLE-DRAWER	HEBA-PJT,ABS,T2.0,-,-,DA	1	PC	SNA
4-3	-	MASCOT	-	-	PC	SNA
4-4	DC64-02173B	PANEL-DRAWER	WF0804Y8E,ABS,T2.5,W183.4,L	1	PC	SNA
4-5	DC67-00452A	CAP-RINSE	WF0800NCE,PP,T2.0,W66.5,L219,SOAP BLUE,HEBA BIGBANG	1	PC	SA

5-15.ASS'Y HOUSING DRAWER (WF0104W8N1/XZS)

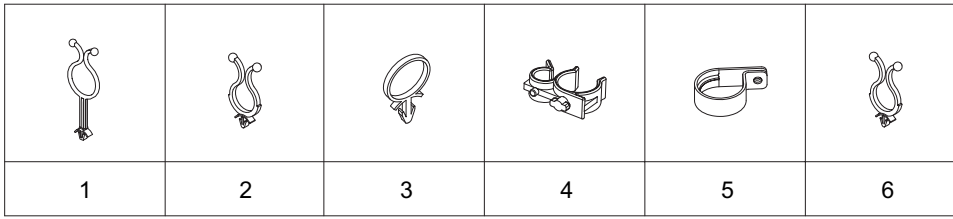


## MODEL CODE: WF0104W8N1/XZS

Service Bom (SA: SERVICE AVAILABLE, SNA: SERVICE NOT AVAILABLE)

Drawing No.	Code No.	Description	Specification	QTY	Un	SA/SNA
0	DC97-16005C	ASSY HOUSING DRAWER	SCOUT,WF0804Y8E,COLD	1	PC	SNA
1	DC61-02434A	HOUSING-DRAWER L	HEBA-PJT,PP,T1.8,NTR	1	PC	SA
2	DC62-00024M	VALVE-WATER	V7-PJT,NYLON,2WAY,MAX 10BAR,WHT,220/240V 50/60Hz	1	PC	SA
3	DC65-00008A	CLAMPER HOSE	SEW-DR605,SK5,-,-,YEL,ID14.2/T0.9	4	PC	SNA
4	DC67-00051B	HOSE-DRAWER	Q1636GW/XEU,EPDM,ID9.0,OD14.5,- ,-,BLK,-	0.21	M	SA
4	DC67-00051B	HOSE-DRAWER	Q1636GW/XEU,EPDM,ID9.0,OD14.5,- ,-,BLK,-	0.21	M	SA
5	DC67-00327A	CAP-DRAWER HOOK	HEBA-PJT,EPDM,T1.1,W13.9/ L10.8,H9.2,BLK,-	1	PC	SNA
6	DC97-16006A	ASSY S.HOUSING DRAWER	HEBA BIGBANG,WF0800NCE,PP	1	PC	SA
8	DC61-01917A	GUIDE-FILTER	WF8804DP,PP,T2.5,W300,L200,	1	PC	SNA

## 5-16. SMALL PARTS (WF0104W8N1/XZS)



### MODEL CODE: WF0104W8N1/XZS

Service Bom (SA: SERVICE AVAILABLE, SNA: SERVICE NOT AVAILABLE)

Drawing No.	Code No.	Description	Specification	Install. Point	QTY	Un	SA/SNA
1	DC61-00995C	HOLDER-WIRE	SEW-HKR149ATA,NYLON66,-,-,128,-,NEW-K4 PJT	FRAME+MAIN(WIRE)	1	PC	SA
2	DC61-40081A	HOLDER-WIRE	DAWH-2NC,NYLON,NTR(PI18.5)	FRM+H-DRAIN+P-CODE	3	PC	SNA
2	DC61-40081A	HOLDER-WIRE	DAWH-2NC,NYLON,NTR(PI18.5)	WIRE+FRAME(BACK_LO)	3	PC	SNA
2	DC61-40081A	HOLDER-WIRE	DAWH-2NC,NYLON,NTR(PI18.5)	WIRE+FRAME(BACK_R)	3	PC	SNA
2	DC61-40081A	HOLDER-WIRE	DAWH-2NC,NYLON,NTR(PI18.5)	WIRE+FRAME(PLATE_L)	1	PC	SNA
2	DC61-40081A	HOLDER-WIRE	DAWH-2NC,NYLON,NTR(PI18.5)	ASSY FRAME PLATE(U)	1	PC	SNA
3	DC61-40083A	HOLDER-WIRE	DAWH-3ND,NYLON,NTR(PI25)/NYLON66	FRAME+HOSE(O)	1	PC	SNA
4	DC61-00133A	CLAMPER HOSE-FIX	P1291,PP,ID24.5,OD29.5,HOSE+PLUG,BJ-730	FRM+H-DRAIN+P-CODE	1	PC	SNA
5	DC61-00118A	CLAMPER HOSE-FIX	P1291,NYLON66,ID27,OD30	H-DRAIN(O)+FRAME	1	PC	SNA
6	DE65-20026A	HOLDER-WIRE	PA,NTR,LOCK-TWIST/STAND/Y260	WIRE+FRAME(BACK_U)	2	PC	SNA

---

## 5-17.PARTS LIST (OTHERS PARTS)

### MODEL CODE: WF0104W8N1/XZS

Service Bom (**SA**: SERVICE AVAILABLE, **SNA**: SERVICE NOT AVAILABLE)

Code No.	Description	Specification	QTY	Un	SA/SNA
3404-001407	SWITCH-TACT	12V DC,50mA,230gf,8x8x13mm,S	11	PC	SNA
3406-001130	SWITCH-ROTARY	5VDC,0.5mA,1,12mm	1	PC	SNA

## 5-18.PARTS LIST (SCREW PARTS)

### MODEL CODE: WF0104W8N1/XZS

Service Bom (SA: SERVICE AVAILABLE, SNA: SERVICE NOT AVAILABLE)

Code No.	Description	Specification	QTY	Un	SA/SNA
6002-000445	SCREW-TAPPING	TH,+ ,2,M4,L18,PASS,STS304	2	PC	SNA
6002-000520	SCREW-TAPPING	TH,+ ,-,2,M4,L12,ZPC(WHT),S	1	PC	SNA
6009-001367	SCREW-HEX	HWH,+ ,-,M6.5,L32,ZPC(WHT),SWRC	15	PC	SNA
6002-001006	SCREW-TAPPING	TH,+ ,-,2S,M4,L12,PASS,STS4	3	PC	SNA
6002-000445	SCREW-TAPPING	TH,+ ,2,M4,L18,PASS,STS304	2	PC	SNA
6002-000471	SCREW-TAPPING	TH,+ ,-,1,M4,L12,PASS,STS30	2	PC	SNA
6002-000520	SCREW-TAPPING	TH,+ ,-,2,M4,L12,ZPC(WHT),S	1	PC	SNA
6002-000520	SCREW-TAPPING	TH,+ ,-,2,M4,L12,ZPC(WHT),S	4	PC	SNA
6003-001768	SCREW-TAPTYPE	TH,+ ,WT,S,M4,L10,ZPC(WHT),	2	PC	SNA
6006-001174	SCREW-TAPPING	TH,+ ,WE,2S,M4,L12,ZPC(WHT)	5	PC	SNA
6002-001327	SCREW-TAPPING	PWH,+ ,1,M4,L12,ZPC(WHT),SW	4	PC	SNA
6006-001174	SCREW-TAPPING	TH,+ ,WE,2S,M4,L12,ZPC(WHT)	2	PC	SNA
DE60-10080A	SCREW-TAPPING	PWH,+ ,-,2S,M5,L9,-,SWRCH18	2	PC	SNA
6002-000471	SCREW-TAPPING	TH,+ ,-,1,M4,L12,PASS,STS30	2	PC	SNA
6002-000520	SCREW-TAPPING	TH,+ ,-,2,M4,L12,ZPC(WHT),S	4	PC	SNA
6009-001522	SCREW-HEX	HEX,+ ,-,M5,L16,PASS,STS430,FP,	2	PC	SNA
6002-000239	SCREW-TAPPING	TH,+ ,NO,2S,M4,L8,ZPC(WHT),	2	PC	SNA
6002-000444	SCREW-TAPPING	TH,+ ,2,M4,L14,PASS,STS430	12	PC	SNA
6002-001436	SCREW-TAPPING	PH,+ ,2,M4,L18,ZPC(WHT),SWR	4	PC	SNA
6001-000592	SCREW-MACHINE	TH,+ ,-,M4,L8,ZPC(WHT),SWRC	2	PC	SNA
6002-000444	SCREW-TAPPING	TH,+ ,2,M4,L14,PASS,STS430	2	PC	SNA
6002-000445	SCREW-TAPPING	TH,+ ,2,M4,L18,PASS,STS304	2	PC	SNA
6002-000520	SCREW-TAPPING	TH,+ ,-,2,M4,L12,ZPC(WHT),S	1	PC	SNA
6002-001438	SCREW-TAPPING	HWH,+ ,1,M5,L12,ZPC(WHT),SW	2	PC	SNA
6006-001174	SCREW-TAPPING	TH,+ ,WE,2S,M4,L12,ZPC(WHT)	4	PC	SNA
6009-001343	SCREW-SPECIAL	PH,TORX,M4,L10,ZPC(WHT),SW	1	PC	SNA
6002-000520	SCREW-TAPPING	TH,+ ,-,2,M4,L12,ZPC(WHT),S	2	PC	SNA
6001-000115	SCREW-MACHINE	BH,+ ,-,M3,L10,ZPC(WHT),SWR	1	PC	SNA
6001-000115	SCREW-MACHINE	BH,+ ,-,M3,L10,ZPC(WHT),SWR	1	PC	SNA
6001-000115	SCREW-MACHINE	BH,+ ,-,M3,L10,ZPC(WHT),SWR	1	PC	SNA
6001-000115	SCREW-MACHINE	BH,+ ,-,M3,L10,ZPC(WHT),SWR	2	PC	SNA
6002-001436	SCREW-TAPPING	PH,+ ,2,M4,L18,ZPC(WHT),SWR	6	PC	SNA

## 76 \_ Exploded views and Parts list