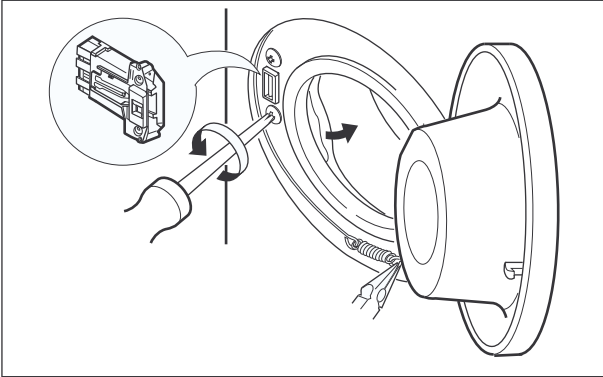
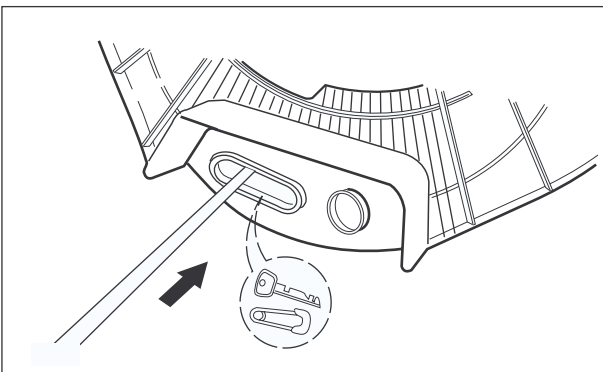


SWITCH ASSEMBLY, DOOR LOCK



- ① Take apart the CLAMP ASSEMBLY (cabinet) and release the GASKET.
- ② Unscrew 2 screws holding the DOOR SWITCH ASSEMBLY.
- ③ Disconnect the door lock from the wiring connector.

WHEN FOREIGN MATERIAL IS STUCK BETWEEN DRUM AND TUB



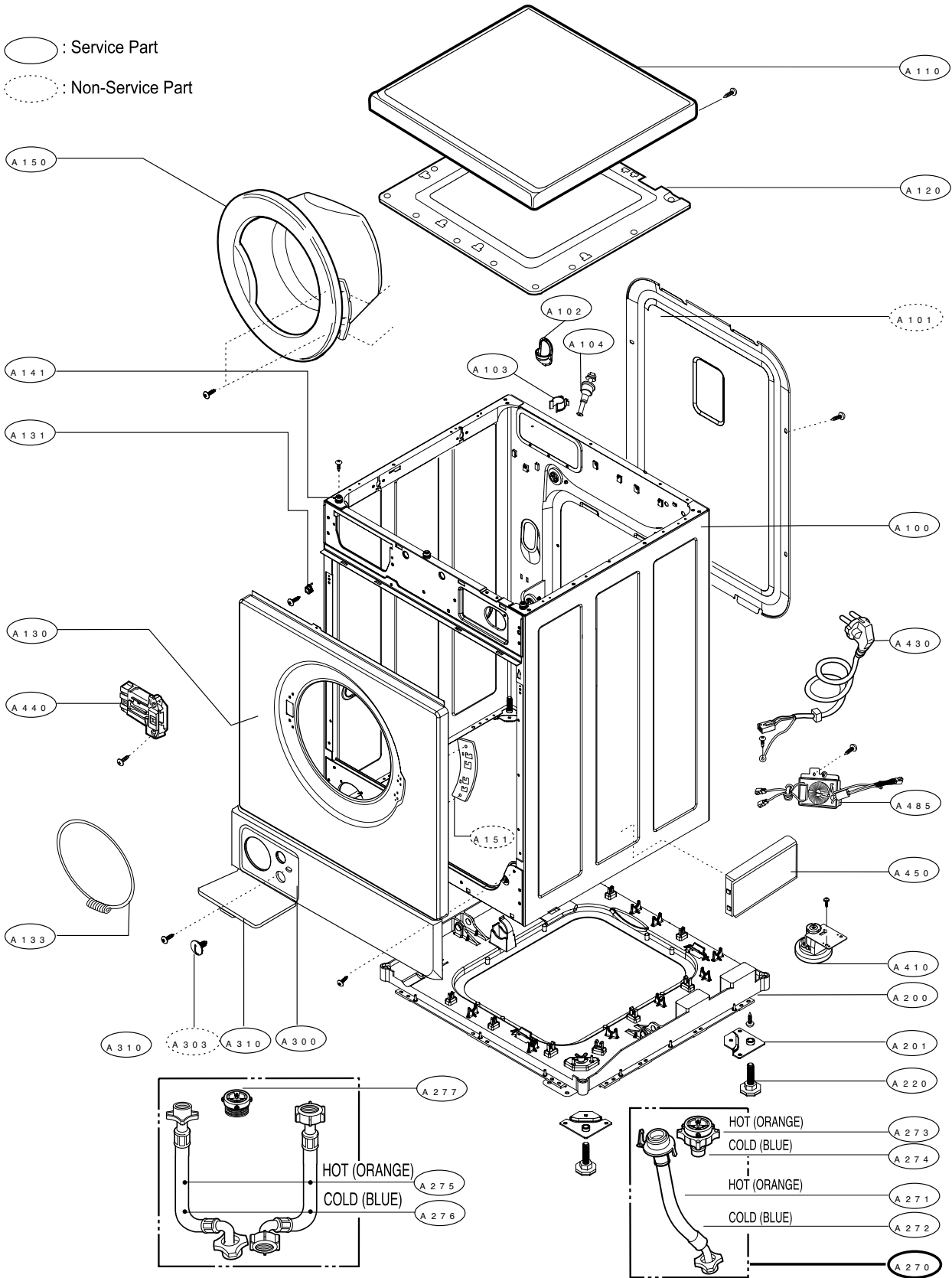
- ① Remove the HEATER ASSEMBLY.
- ② Remove the foreign material (wire, coin and others) by inserting a long bar through the hole.

10. EXPLODED VIEW AND PART LIST

10-1. THE PART LIST OF CABINET ASSEMBLY

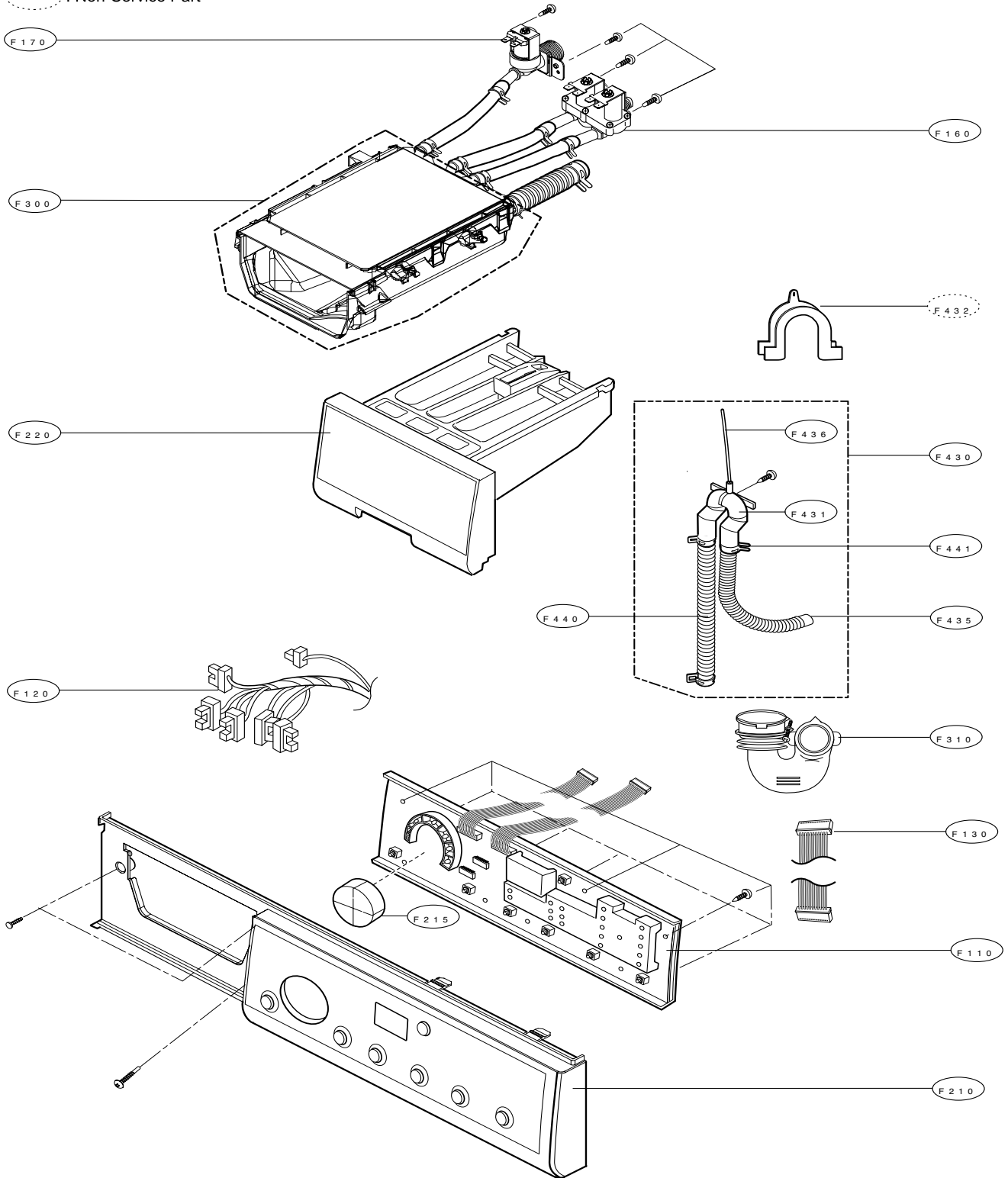
○ : Service Part

○ : Non-Service Part



10-2 THE EXPLODED VIEW OF CONTROL PANEL & DISPENSER
 A S S E M B L Y

○ : Service Part
 ○ : Non-Service Part



10-3 THE EXPLODED VIEW OF DRUM & TUB ASSEMBLY

○ : Service Part

○ : Non-Service Part

