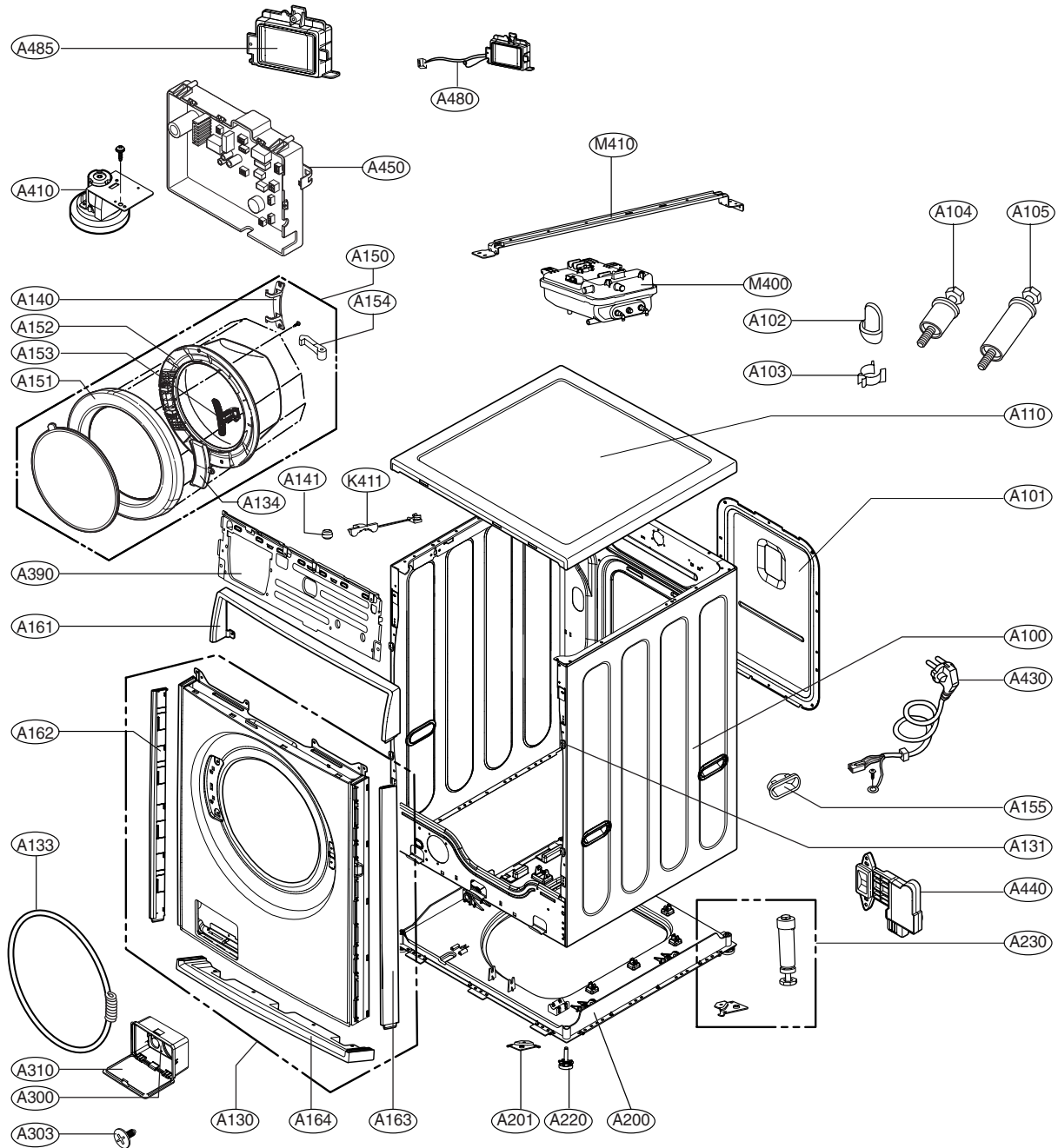
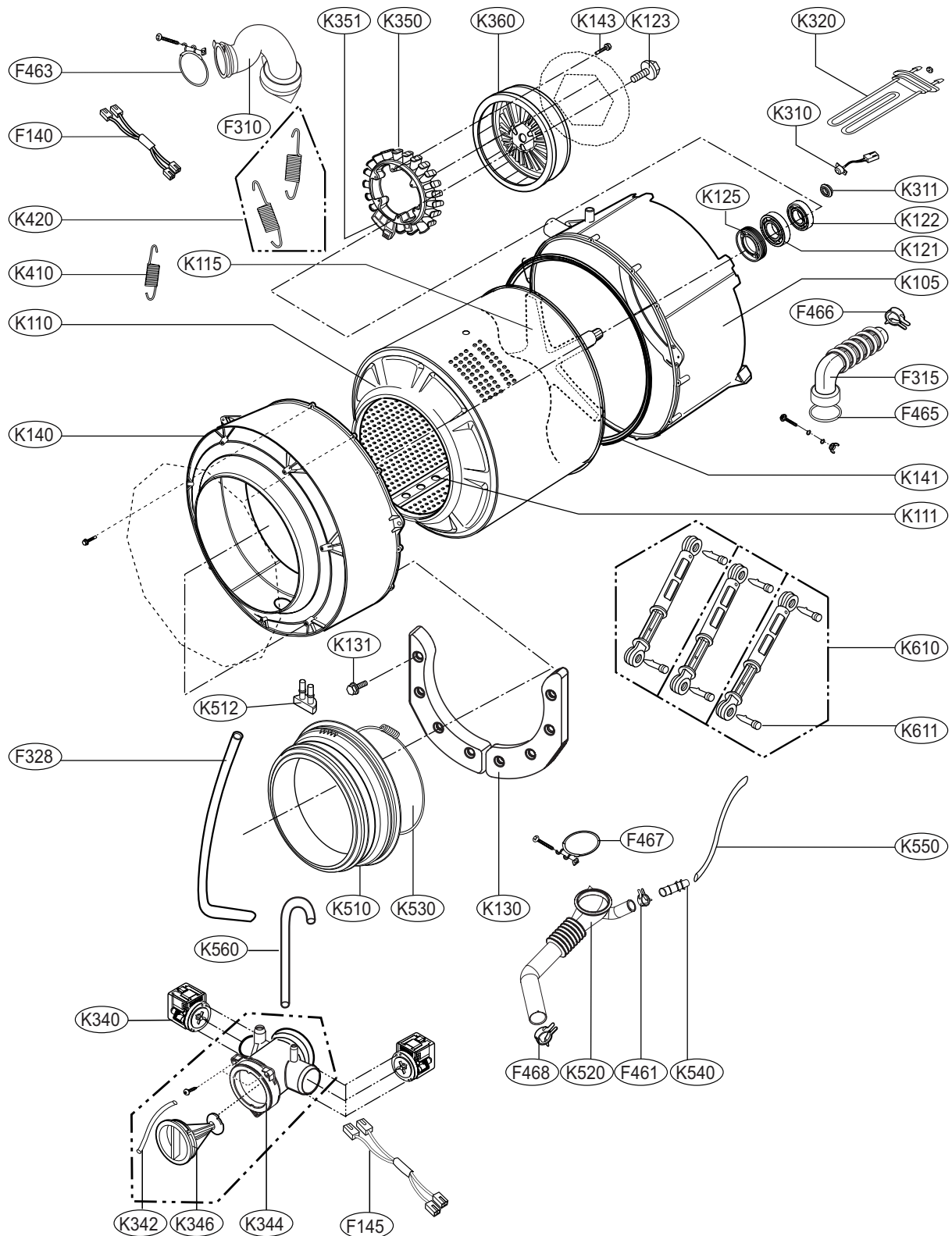


# 10. EXPLODED VIEW AND PART LIST

## 10-1.CABINET ASSEMBLY



## 10-2. DRUM & TUB ASSEMBLY



# 10-3. CONTROL PANEL AND DISPENSER ASSEMBLY

