



website : <http://www.LGService.com>

e-mail : <http://LGService.com/techsup.html>

WASHING MACHINE SERVICE MANUAL

CAUTION

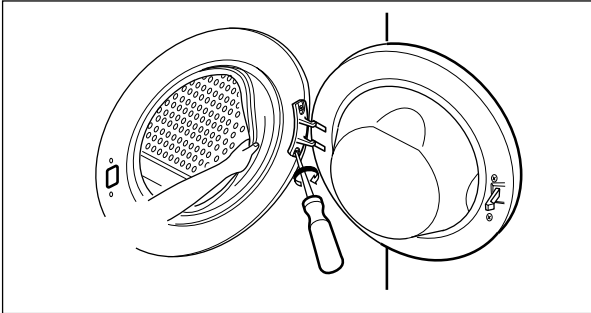
READ THIS MANUAL CAREFULLY TO DIAGNOSE TROUBLE
CORRECTLY BEFORE OFFERING SERVICE.

MODEL : WD-10120FB
WD-11120FB/WD-11125FB
WD-12120FB/WD-12125FB
WD-13120FB/WD-13125FB

1. SPECIFICATION

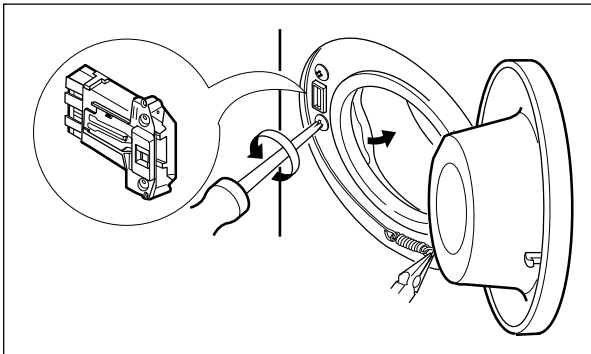
ITEM	WD-10120FB WD-11120FB/WD-11125FB WD-12120FB/WD-12125FB WD-13120FB/WD-13125FB		
POWER SUPPLY	220-240V~, 50Hz		
PRODUCT WEIGHT	65kg		
WASHING	150W		
ELECTRICITY CONSUMPTION	SPIN (800rpm)	300W	
	DRAIN MOTOR	32W	
	WASH HEATER	2000W	
REVOLUTION SPEED	WASH	45rpm	
	SPIN	WD-10120FB	400/600/800/1000 rpm
		WD-11120FB/WD-11125FB	400/600/800/1100 rpm
		WD-12120FB/WD-12125FB	400/800/1000/1200 rpm
		WD-13120FB/WD-13125FB	400/800/1100/1300 rpm
OPERATION WATER PRESSURE	0.3-10kgf/cm ² (30-1000kPa)		
CONTROL TYPE	Electronic		
WASH CAPACITY	7.0kg		
	Synthetic (3.5kg), Delicate (3.0kg), Wool (2.0kg), Hand Wash (2.0kg)		
DIMENSION	600mm (W) × 600mm (D) × 850mm (H)		
WASH PROGRAM	Coton, Cotton-Eco, Synthetic, Delicate, Wool, Hand Wash, Quick 30		
OPTION	Bio, Crease Care		
DOOR SWITCH TYPE	Bi-Metal type		
WATER LEVEL	9 steps (by sensor)		
RESERVATION	From 3 hours to 19 hours		
SENSING OF THE LAUNDRY AMOUNT	Adopted		
FUZZY LOGIC	Adopted		
DISPLAY OF THE REMAINING TIME	Adopted		
ERROR DIAGNOSIS	10items		
POWER AUTO OFF	Adopted		
CHILD LOCK	Adopted		
AUTO RESTART	Adopted		

DOOR HINGE ASSEMBLY



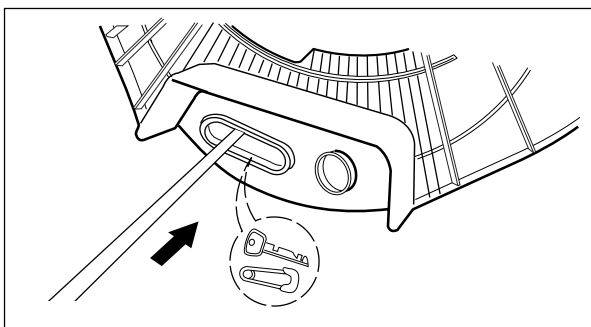
- ① Disassemble the door from the door hinge.
- ② Take apart the cabinet cover clamp and release the gasket.
- ③ Unscrew 2 screws on the door hinge.
- ④ Push the door hinge arm to the inside of the cabinet cover for disassembling.

SWITCH ASSEMBLY, DOOR LOCK



- ① Take apart the cabinet cover clamp and release the gasket.
- ② Unscrew 2 screws holding the door lock.
- ③ Disconnect the door lock from the wiring connector.

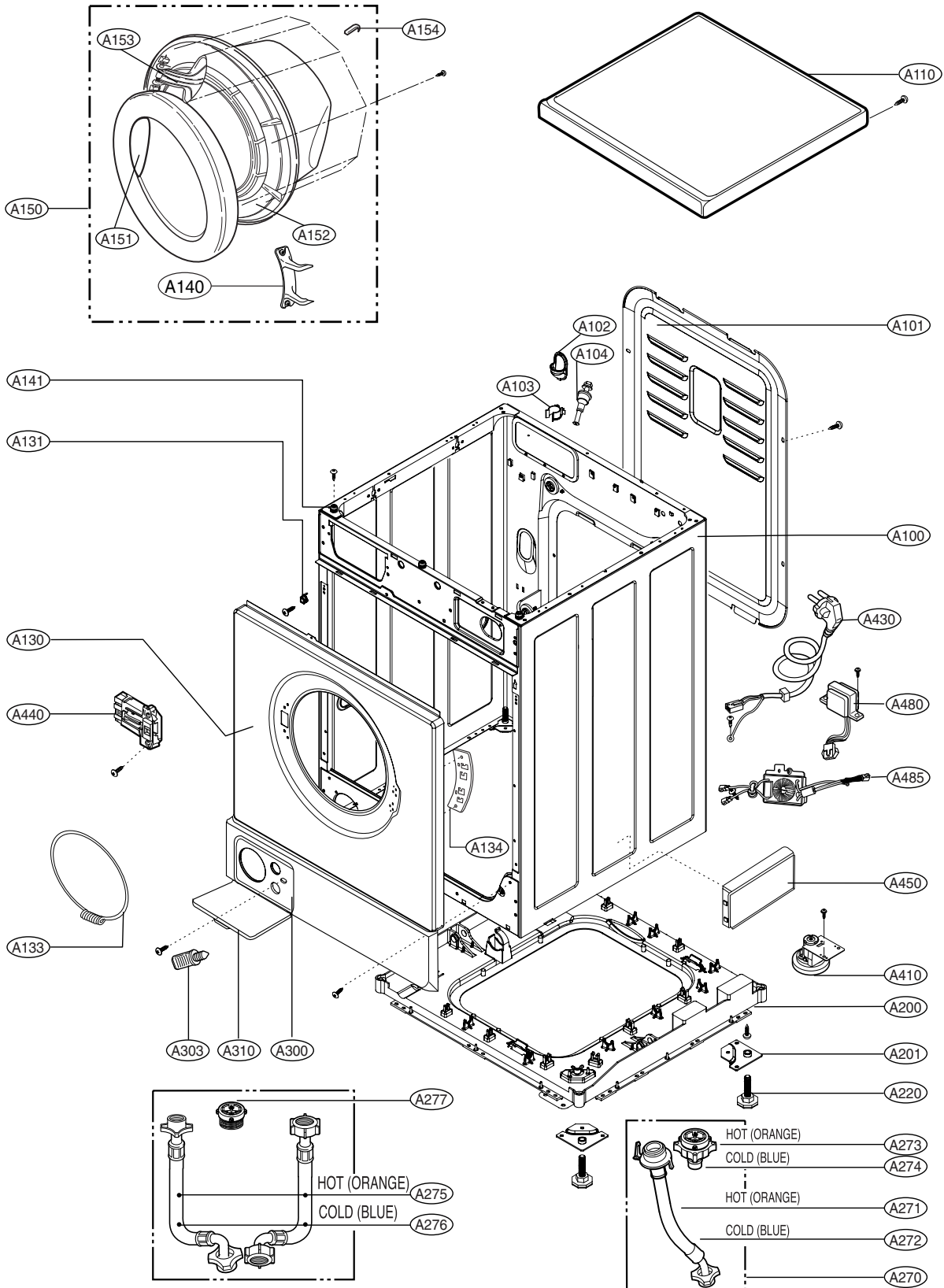
WHEN FOREIGN MATERIAL IS STUCK BETWEEN DRUM AND TUB



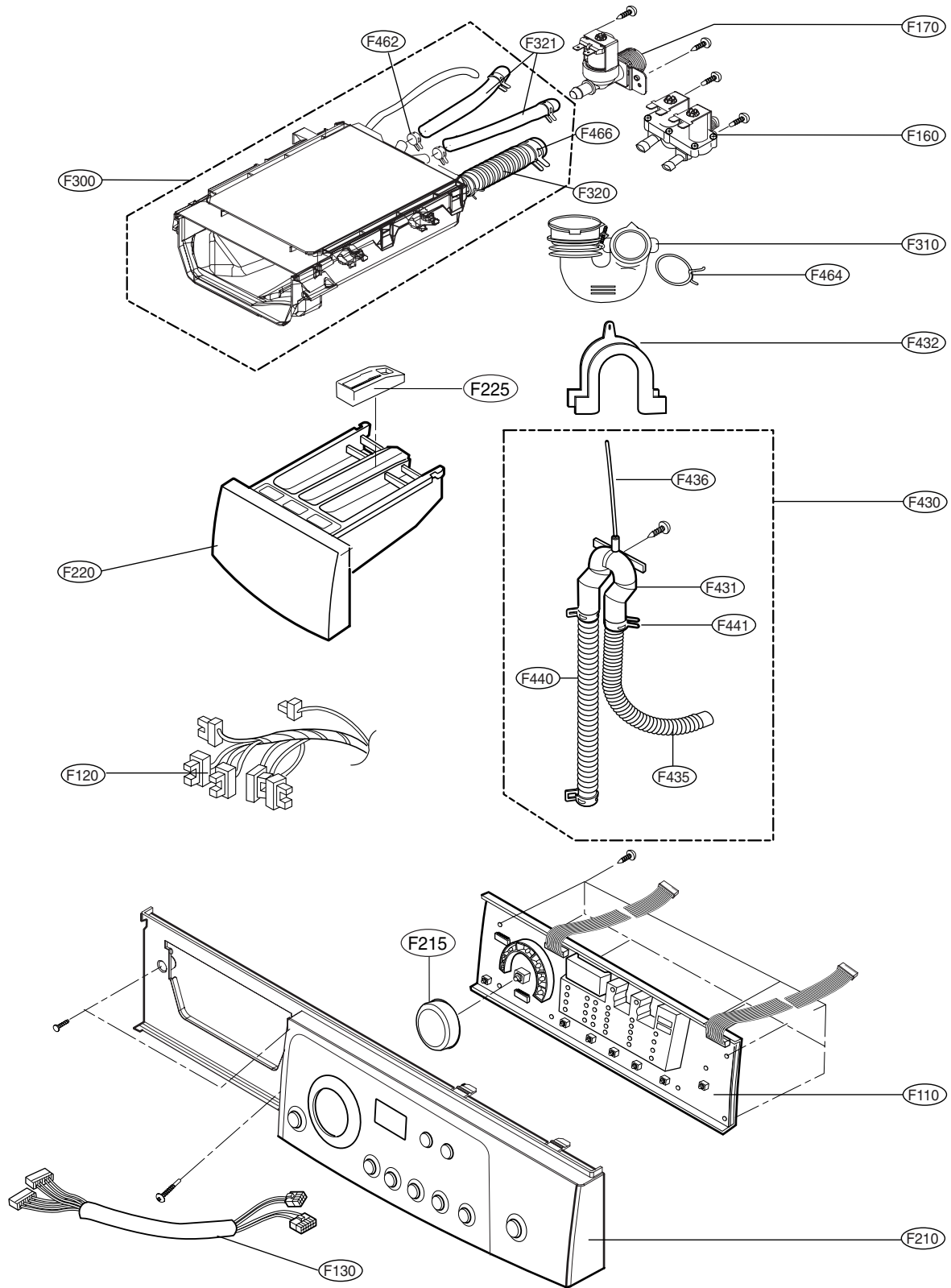
- ① Remove the heater.
- ② Remove the foreign material (wire, coin and others) by inserting a long bar through the hole.

10. EXPLODED VIEW AND PART LIST

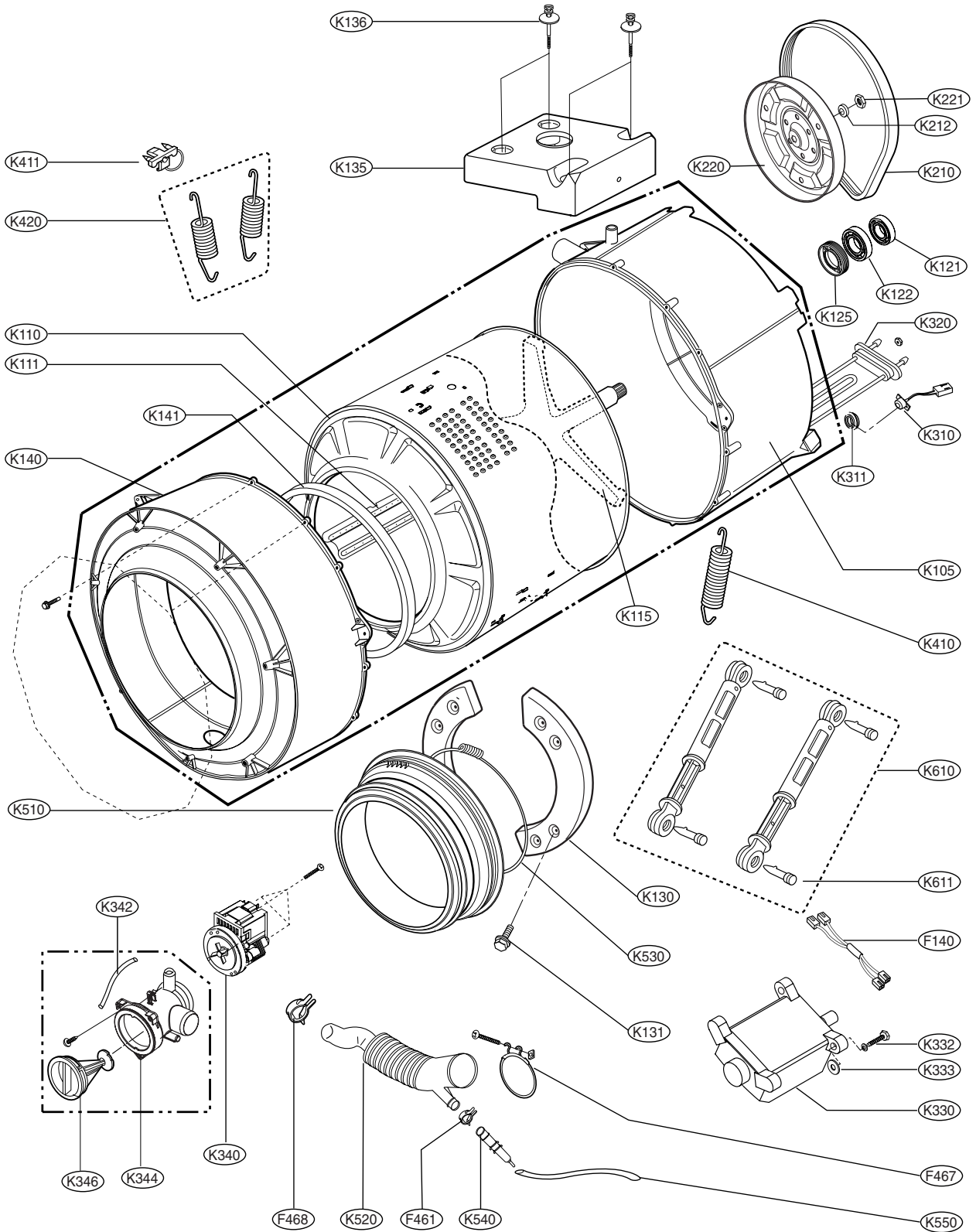
10-1. CABINET & CONTROL PANEL ASSEMBLY

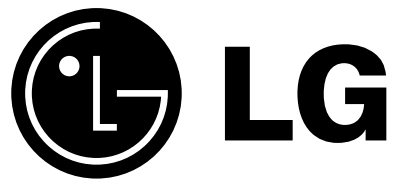


10-2. DRUM & TUB ASSEMBLY



10-3. DISPENSER ASSEMBLY





FEB. 2004 PRINTED IN KOREA

P/No.:3828ER3027D