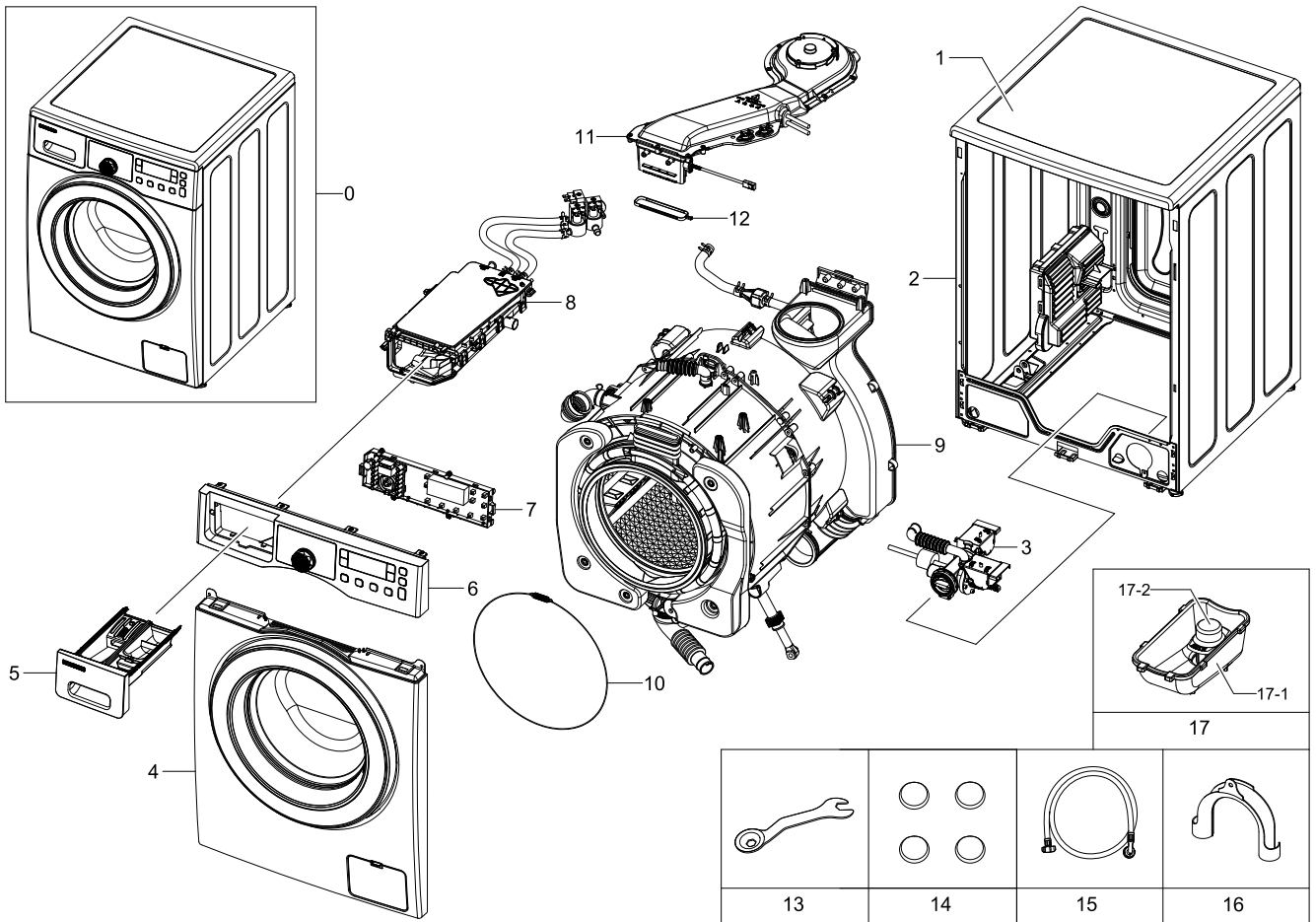


1. Main

Exploded View



Parts List

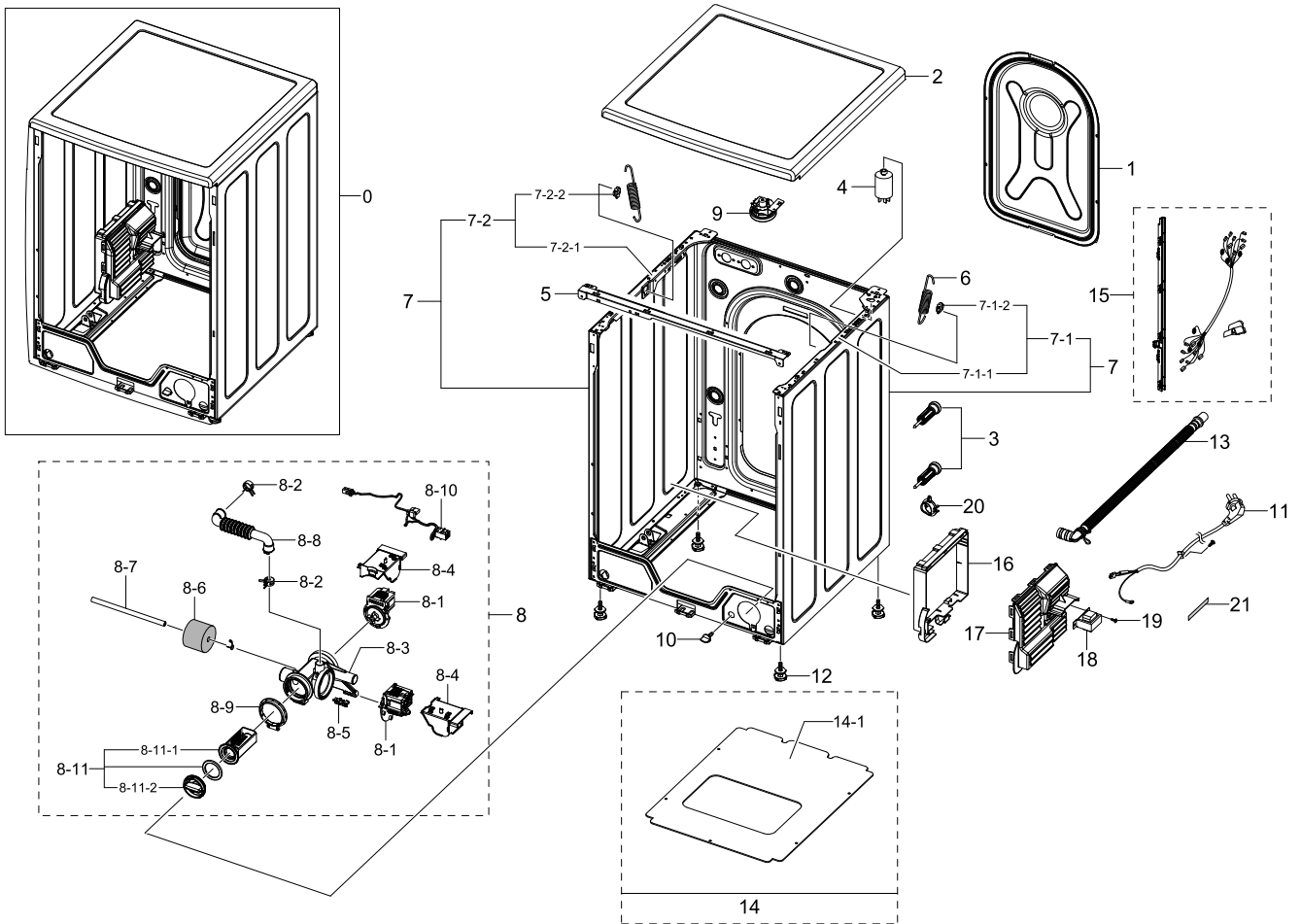
No.	Lvl.	Loc.	Material Code	Description & Specification	SNA	Qty.
1	2	WF0003	DC97-14953A	ASSY COVER TOP; HEBA-PJT,-,WOOD+AL FOIL+U	SA	1
2	2	WF0004	DC97-16515B	ASSY FRAME; SCOUT-COMBO,WD0804W8E,GI,T0.8	SNA	1
3	2	WU5151	DC97-15696E	ASSY PUMP DRAIN; SCOUT-PJT,WF0804Y8E/XEF,	SA	1
4	2	WF0005	DC97-15897J	ASSY FRAME FRONT; SCOUT-COMBO,WD0804W8E,E	SNA	1
5	2	WR0005	DC97-16021A	ASSY DRAWER; SCOUT,WF0804Y8E	SA	1
6	2	WC0016	DC97-16541M	ASSY PANEL CONTROL; SCOUT COMBO,WD0804W8E	SNA	1
7	2	WZ0025	DC92-00532A	ASSY PCB SUB; P171,SCOUT SUB,WD0804W8E/YA	SNA	1
8	2	WR0008	DC97-16005E	ASSY HOUSING DRAWER; SCOUT,WD0804W8E,Comb	SNA	1

Exploded Views and Parts List

No.	Lvl.	Loc.	Material Code	Description & Specification	SNA	Qty.
9	1	WG0013	DC90-06394A	ASSY TUB & DRUM; WD0804W8E,XEF	SNA	1
10	2	WJ0008	DC91-12078D	ASSY WIRE DIAPHRAGM; HEBA-PJT,-,-,-,-,-	SA	1
11	2	WY0016	DC93-00033A	ASSY DUCT SCROLL; HEBA-COMBO,WD8700,-,-,-	SA	1
12	2	WJ0041	DC66-00504A	JOINT DIAPHRAGM; WF8804DP,EGI,-,-,T1.0,11	SA	1
13	2	WJ5077	DC60-40146A	BOLT SPANER; CR,T2.5,-	SA	1
14	2	WA5001	DC67-00307A	CAP-FIXER; WF438AAC/XAA,PP,T1.5,RECYCLE,B	SC	4
15	2	WH5290	DC62-10289B	HOSE-WATER(C); WIP4013SRW,PVC+NYLON,ID10.	SA	1
16	2	WH5379	DC62-10278A	HOSE HANGER; PUMP MODEL,PP,BLACK	SA	1
17	2	WI0009	DC97-16128A	ASSY COVER DRAWER; SCOUT,WF0704L7W/XEF,PP	SC	1
17-1	3	WI0353	DC61-02581C	GUIDE LIQUID-MIDDLE; WF1802XEC,PP,T2.0,W6	SA	1
17-2	3	WI0108	DC67-00524A	CAP DRAWER; WF0804Y8E/XEF,PP,T2.0,W27,L43	SA	1

2. Frame&Cover Parts

Exploded View



Parts List

No.	Lvl.	Loc.	Material Code	Description & Specification	SNA	Qty.
1	2	WF0002	DC97-15019A	ASSY COVER BACK; HEBA-PJT,-,COVER BACK +	SA	1
2	2	WF0003	DC97-14953A	ASSY COVER TOP; HEBA-PJT,-,WOOD+AL FOIL+U	SA	1
3	2	WJ5003	DC97-14794C	ASSY FIXER TUB; SCOUT,WF0704L7W/XEF	SA	4
4	2	WE0076	DC29-00015E	FILTER-EMI; MINERVA-PJT,250VAC,15,D53*H71	SA	1
5	3	WF0088	DC61-01927A	FRAME PLATE-UP; HEBA-PJT,GI-SGCC,-,T1.2	SNA	1
6	2	WF0102	DC61-02029C	SPRING ETC-HANGER; GE24,HSWR-SWRH,CD3.5,I	SA	2
7	2	WF0004	DC97-16515B	ASSY FRAME; SCOUT-COMBO,WD0804W8E,GI,T0.8	SNA	1
7-1	3	WP0037	DC97-15687A	ASSY BRACKET SPRING(R); HEBA 7kg,HEBA-COM	SNA	1

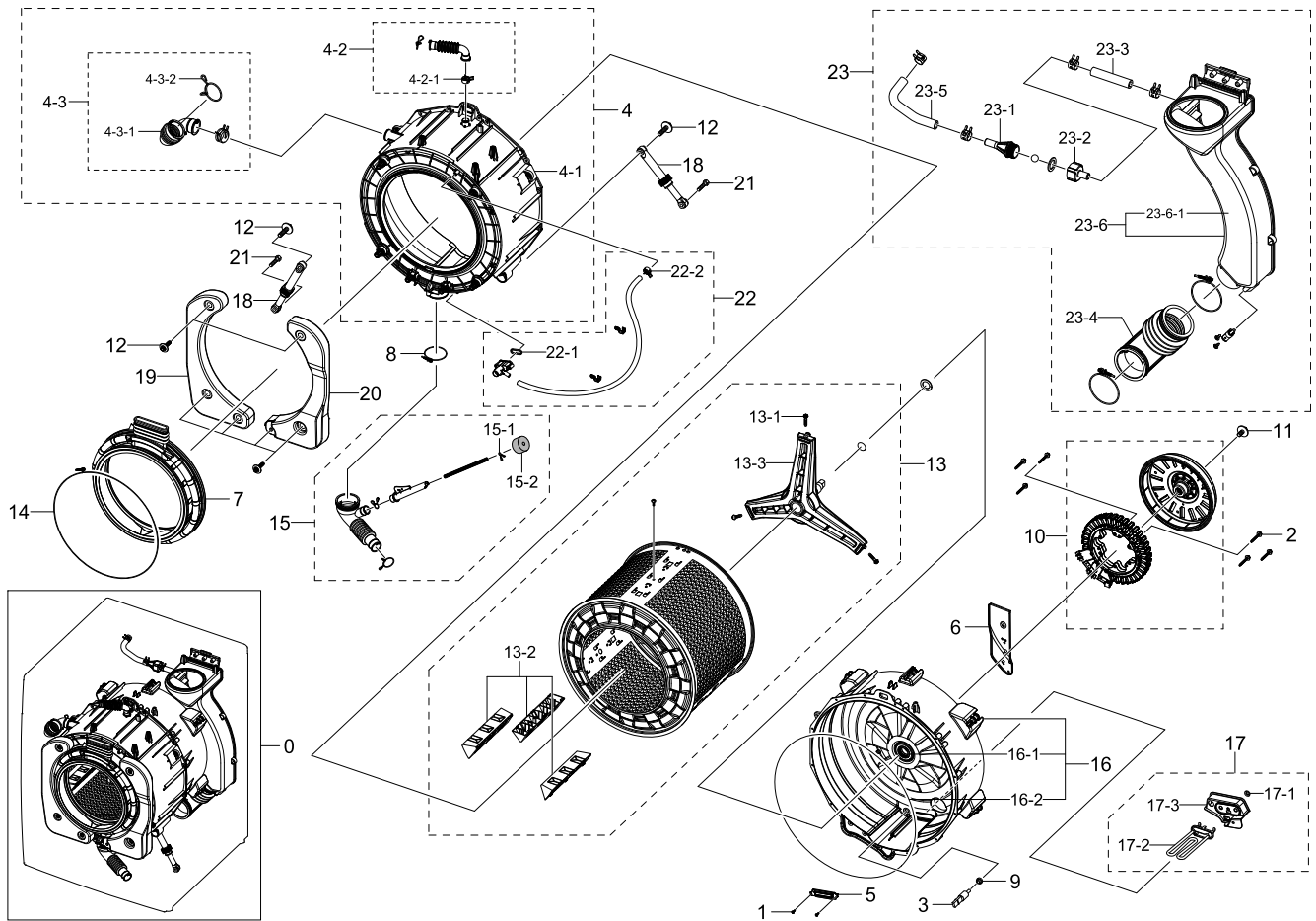
Exploded Views and Parts List

No.	Lvl.	Loc.	Material Code	Description & Specification	SNA	Qty.
7-1-1	4	WP0136	DC61-01926A	BRACKET-SPRING(R); HEBA-PJT/7KG,GI-SGCC,T	SNA	1
7-1-2	4	WI0266	DC61-02065A	GUIDE SPRING; WF448AAG/XXA,POM,T4,W24,L36	SA	1
7-2	3	WP0036	DC97-15688A	ASSY BRACKET SPRING(L); HEBA 7kg,HEBA-COM	SNA	1
7-2-1	4	WP0135	DC61-01924A	BRACKET-SPRING(L); HEBA-PJT 7KG,GI-SGCC,T	SNA	1
7-2-2	4	WI0266	DC61-02065A	GUIDE SPRING; WF448AAG/XXA,POM,T4,W24,L36	SA	1
8	2	WU5151	DC97-15696E	ASSY PUMP DRAIN; SCOUT-PJT,WF0804Y8E/XEF,	SA	1
8-1	3	WU5008	DC31-00030A	PUMP-DRAIN; B20-6 / S3001,220V-240V,50Hz,	SA	2
8-2	3		DC61-00158A	CLAMPER HOSE; SW65ASP,SK5,ID23,T0.8,-	SNA	2
8-3	3	WU0023	DC61-02271B	CASE PUMP; WF0804Y8E/XEF,PP,T2.5,W153.6,L	SA	1
8-4	3	WI0203	DC63-00830A	COVER PUMP; -,PP,-,W59.0,L77,V0 GRADE,WHT	SNA	2
8-5	3	WO0031	DC63-00905A	CUSHION PUMP; WF8802DPF/XET,NBR,-,W37.6,L	SNA	1
8-6	3	WH0017	DC63-10003C	SPONGE-HOSE AIR; SWF-P12,PU-FOAM,GRY	SNA	1
8-7	3	WH5382	DC67-00244C	HOSE DRAIN; WF0804Y8E,EPDM,ID6,OD11,T2.5,	SC	1
8-8	3	WH5381	DC67-00461A	HOSE AIR TUB; SCOUT- PJT,EPDM,T1.5,BLK	SA	1
8-9	3		DC69-01128A	PACKING-PUMP; WF8804DP,IIR,BUTYL,T2.5,HEB	SNA	1
8-10	3	WW0006	DC93-00016C	ASSY WIRE HARNESS-PUMP; DRUM,SCOUT,CIRCUL	SA	1
8-11	3	WA0006	DC97-15695A	ASSY FILTER; GRIFFIN-PJT,WF9804RWE,PP+EPD	SA	1
8-11-1	4	WU0026	DC63-00998A	FILTER PUMP; SCOUT-PJT,PP,-,W52.8,L93.1,-	SNA	1
8-11-2	4	WI0357	DC64-01317A	HANDLE FILTER; PP,-,-	SNA	1
9	2	WE0020	DC96-01703B	ASSY SENSOR PRESSURE; PURPLE PJT,PURPLE P	SA	1
10	2	WI0107	DC61-10673A	CAP DRAIN; PP,-,-,BJ-730,-	SNA	1
11	2	WE0016	DC96-00146A	ASSY POWER CORD; VDE,UCP2,250V16A,H05VV-F	SC	1
12	2	WB5216	DC97-00920C	ASSY LEG; SEW-HW108,L48.5,M10	SC	4
13	2	WH5076	DC97-02250Q	ASSY HOSE DRAIN(O); HEBA,WF8802DP,-,-,-,-	SA	1
14	2	WI0053	DC97-15365B	ASSY SHUTTER; HEBA-COMBO,WD8704,PP+EPDM,T	SA	1
14-1	3	WI0322	DC64-01757A	SHUTTER; HEBA-PJT,PP,T3.0,-,-,WHT,7kg/DAN	SA	1
15	2	WW0026	DC93-00225C	ASSY M.GUIDE WIRE HARNESS; SCOUT COMBO,WD	SA	1

No.	Lvl.	Loc.	Material Code	Description & Specification	SNA	Qty.
16	2	WZ0010	DC92-00531A	ASSY PCB MAIN; P171,SCOUT,WD0804W8E/YAH,8	SA	1
17	2	WI0196	DC63-01040B	COVER-PCB(M); WF9904RWE/XEU,HIPS,T2.5,W19	SNA	1
18	2	WE0145	DC26-00009D	COIL HARMONIC; 8.5mH,15%,SILICON STEEL	SA	1
19	2	WX0622	6002-001306	SCREW-TAPPING; TH,+,1,M4,L14,ZPC(WHT),SWR	SA	2
20	2	WH5359	DC61-00274A	GUIDE HOSE; P/PV/M,PP,-,-, WHT,FRAME/DRA	SA	1
21	2	WB0030	DC63-01071B	SHEET DAMPING; WD8704DJF,BUTYL,T5,W155,L1	SNA	1

3. Assy Tub&Drum

Exploded View



Parts List

No.	Lvl.	Loc.	Material Code	Description & Specification	SNA	Qty.
0	1	WG0013	DC90-06394A	ASSY TUB & DRUM; WD0804W8E,XEF	SNA	1
1	2	WX0435	6002-000473	SCREW-TAPPING; TH,+,NO,1,M4,L14,PASS,STS3	SA	2
2	2	WX0557	6011-001627	BOLT-ETC; M6,L56,MFZn,SCM435,P1.0/HEX/WSP	SA	6
3	2	WE5178	DC32-00010A	THERMISTOR; -,11982OHM AT 25,-,-55~155	SA	1
4	2	WT0004	DC97-16129B	ASSY SEMI TUB FRONT; SCOUT,WF0704W7E,7kg,	SNA	1
4-1	3	WT0042	DC61-01933C	TUB FRONT; HEBA PJT,FRPP,ID528,OD575,NTR,	SNA	1
4-2	3	WH5017	DC97-14873B	ASSY HOSE AIR; HEBA,WF8702,-,BLACK	SA	1
4-2-1	4		DC61-00158A	CLAMPER HOSE; SW65ASP,SK5,ID23,T0.8,-	SNA	1
4-3	3	WH5375	DC97-14874C	ASSY HOSE DRAWER; HEBA BIGBANG,WF0800NCE,	SA	1
4-3-1	4	WH5191	DC67-00422A	HOSE DRAWER TUB; HEBA-PJT,EPDM,BLK	SC	1

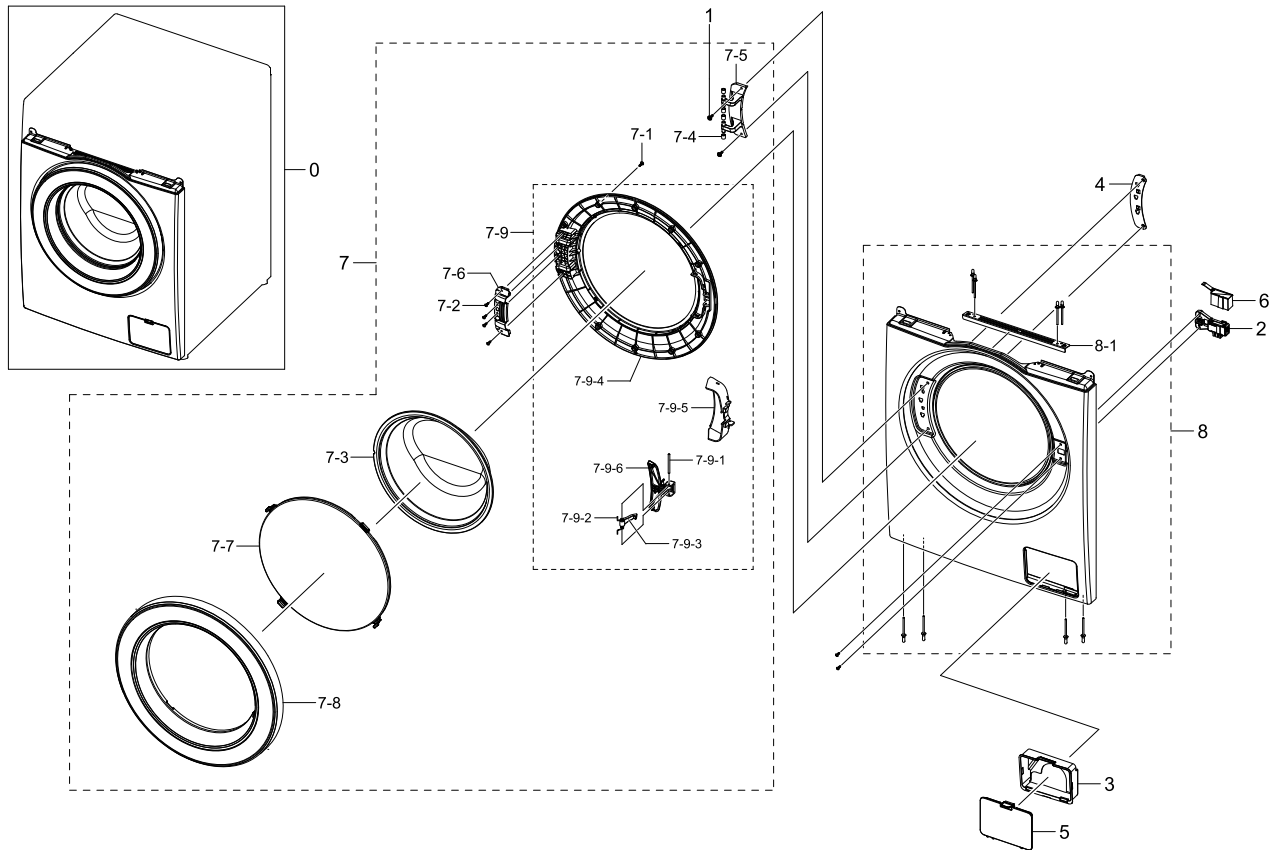
No.	Lvl.	Loc.	Material Code	Description & Specification	SNA	Qty.
4-3-2	4	WJ0027	DC72-00001G	CLIP RING; HEBA-PJT,HSWR-SWRH,T3.0,ID49.5	SNA	1
5	2	WP0099	DC61-02664A	BRACKET HEATER; HEBA,STAINLESS-ST5430,T0.	SA	1
6	2	WI0188	DC63-01294A	COVER MOTOR; SCOUT,EGI-SECC,T0.8,W75.1,L2	SA	1
7	2	WD0067	DC64-01827A	DOOR DIAPHRAGM; WD8704DJF,EPDM,T1.5,H83,W	SA	1
8	2		DC65-00021A	CLAMPER HOSE-JOINT; HEBA PJT,HSWR-SWRH,ID	SNA	1
9	2	WE0115	DC69-00824A	PACKING-THERMISTOR; GW-PJT,EPDM,-,-,W17,H	SA	1
10	2	WS0004	DC96-01218E	ASSY DD BLDC MOTOR; DON800,25MM/AL WIRE/0	SA	1
11	2	WJ5031	DC97-06080A	ASSY BOLT; SEW-3HR105,BOLT+WASHER	SA	1
12	2	WJ5013	DC97-14263A	ASSY BOLT; HEBA-PJT,MOTOR/BOLT(M8)+WASHER	SA	8
13	2	WG0004	DC97-14373E	ASSY DRUM; HEBA PJT,-,7kg,1200RPM,-,-	SC	1
13-1	3	WJ5081	DC60-40137A	BOLT HEX; MARS-PJT,STAINLESS-ST5430,M8,P1	SA	3
13-2	3	WG0055	DC66-00493A	DRUM LIFTER; HEBA PJT,PP,TI42,GRAY,7/8KG	SA	3
13-3	3	WS0006	DC97-14370B	ASSY FLANGE SHAFT; HEBA PJT,-,-,1200RPM,-	SC	1
14	2	WJ0002	DC97-14618A	ASSY CLAMP DIAPHRAGM; WF8804DP,OD2.0/L124	SA	1
15	2	WH5372	DC97-14637C	ASSY HOSE PRESSURE; combo	SA	1
15-1	3	WP0165	DC61-70029C	CLIP RING; SEW-HW125,HSWR,WHITE	SA	1
15-2	3	WH0017	DC63-10003C	SPONGE-HOSE AIR; SWF-P12,PU-FOAM,GRY	SNA	1
16	2	WT0007	DC97-15518A	ASSY TUB BACK; HEBA COMBO,WD8704DJF,7kg,8	SC	1
16-1	3	WS0119	DC62-00008A	SEAL OIL; NBR,BLACK,-,NBU	SA	1
16-2	3	WO0055	DC69-01154A	PACKING-TUB; WF8804DP,EPDM,-,-,L1650	SA	1
17	2	WE0010	DC97-14827F	ASSY HEATER; HEBA,230V/ 2000W,NORMAL/GRAY	SNA	1
17-1	3	WJ0083	6031-001531	WASHER-PLAIN; SCP1,ID7,OD14,T1.2,ZPC2,ACE	SNA	1
17-2	3	WE0155	DC47-00033B	HEATER-WASH; HEBA,SUS316L,2000,8.69,230V,	SA	1
17-3	3	WE0060	DC63-00889A	COVER-HEATER; WF438AAG,ABS+PC,T3.0,W160.0	SA	1
18	2	WB5201	DC66-00343D	DAMPER-SHOCK; GW-PJT,STEEL+PP+RUBBER,80N,	SC	2
19	2	WT5109	DC97-16008A	ASSY WEIGHT BALANCER-LEFT; SCOUT-PJT,WF08	SA	1
20	2	WT5108	DC97-15966A	ASSY WEIGHT BALANCER-RIGHT; SCOUT-PJT,WF0	SA	1

Exploded Views and Parts List

No.	Lvl.	Loc.	Material Code	Description & Specification	SNA	Qty.
21	2	WX0558	6011-001644	BOLT-HEX; M10,L35,ZPC2,SM10C,DAMPER	SA	2
22	2	WH5382	DC97-15993A	ASSY HOSE CIRCULATION; SCOUT,WF0804Y8E,EP	SA	1
22-1	3	WT0030	DC62-00296A	SEAL CONNECTOR; WF0804Y8E,EPDM,SCOUT-PJT	SNA	1
22-2	3		DC65-00008A	CLAMPER HOSE; SEW-DR605,SK5,-,ID14.2/T0.9	SNA	4
23	2	WY0006	DC93-00032B	ASSY DUCT CONDENSER; HEBA COMBO,WD8700,CO	SNA	1
23-1	3	WL0011	DC62-00182A	NOZZLE CONNECTOR-UP; POM,NATURAL,TS-2 PJT	SA	1
23-2	3	WL0010	DC62-00183A	NOZZLE CONNECTOR-LOW; POM,NATURAL	SA	1
23-3	3	WH5267	DC67-00051B	HOSE DRAWER; Q1636GW/XEU,EPDM,ID9.0,OD14.	SA	0
23-4	3	WH5202	DC67-00369A	HOSE CONDENSER; HEBA COMBO,EPDM,ID60,OD65	SA	1
23-5	3	WH5192	DC67-00418A	HOSE WATER; HEBA-COMBO,EPDM,ID9,OD14.5,T2	SA	1
23-6	3	WY0025	DC93-00031B	ASSY S.DUCT CONDENSER; HEBA COMBO,WD8700,	SNA	1
23-6-1	4		DC67-00367B	DUCT-CONDENSER(F); PP,T2.5,NTR	SA	1

4. Assy Frame Front

Exploded View



Parts List

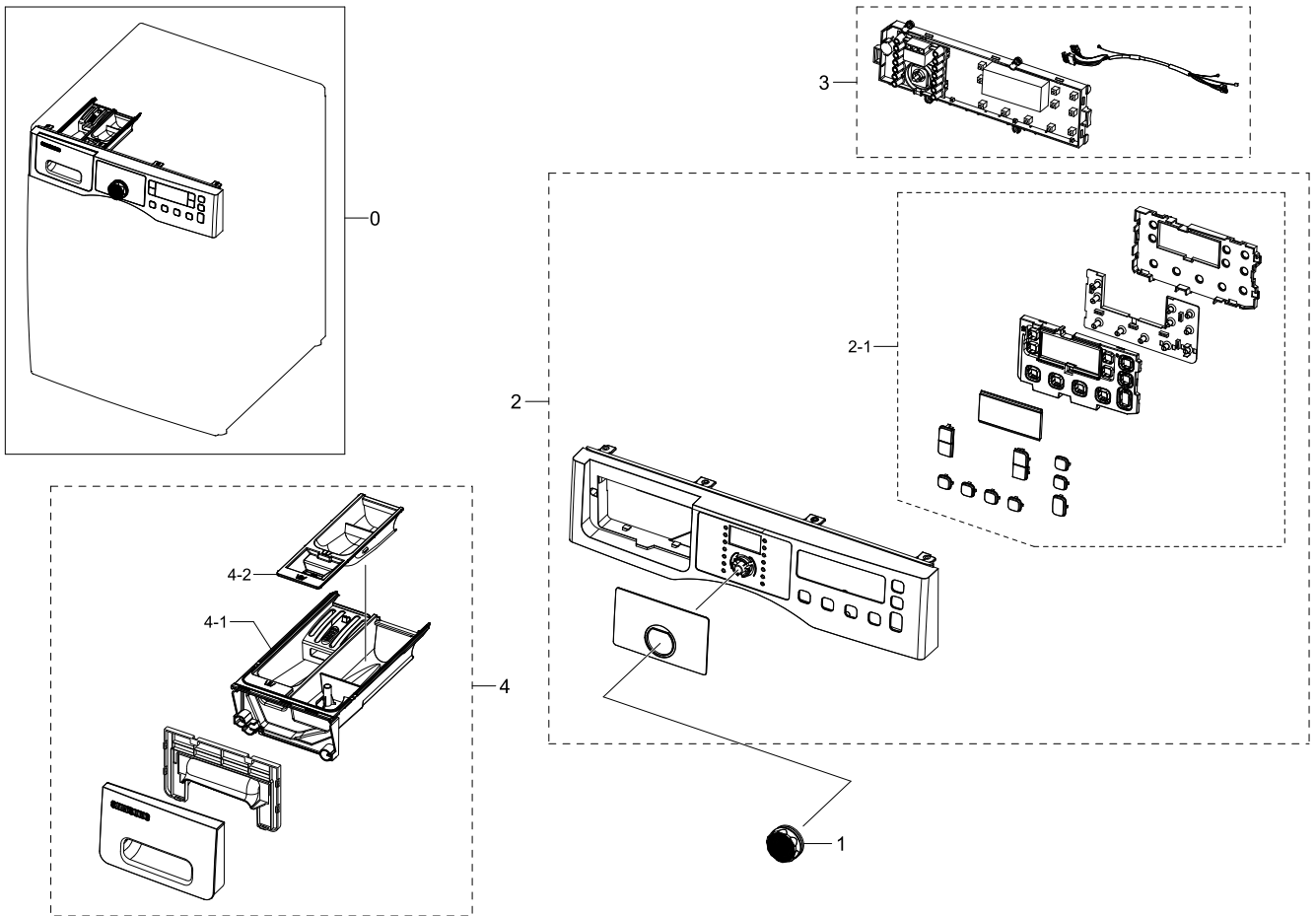
No.	Lvl.	Loc.	Material Code	Description & Specification	SNA	Qty.
0	2	WF0005	DC97-15897J	ASSY FRAME FRONT; SCOUT-COMBO,WD0804W8E,E	SNA	1
1	3	WX0534	6009-001522	SCREW-HEX; HWH,+,M5,L16,PASS,STS430,FP,SE	SA	2
2	3	WE0067	DC64-01538A	DOOR-LOCK S/W; ZV-446L5,PA,W95,L52,WHITE,	SA	1
3	3	WI0248	DC61-01917A	GUIDE FILTER; WF8804DP,HIPS,T2.5,W149.2,L	SA	1
4	3	WP0101	DC61-01919A	BRACKET HINGE; WF8804DP,GI-SGCC,T1.4,L161	SA	1
5	3	WI0167	DC63-00854A	COVER-FILTER; WF8804DP,ABS,T2.0,W150.7,L1	SA	1
6	3	WE0059	DC63-00967A	COVER DOOR SWITCH; AEGIS-PJT/ WF8500NHW,P	SA	1
7	3	WD0003	DC97-14343J	ASSY DOOR; SCOUT-COMBO,WD0804W8E,ABS,CR+S	SA	1
7-1	4	WX0621	6002-000444	SCREW-TAPPING; TH,+,2,M4,L14,PASS,STS430	SA	12

Exploded Views and Parts List

No.	Lvl.	Loc.	Material Code	Description & Specification	SNA	Qty.
7-2	4	WX0622	6002-001306	SCREW-TAPPING; TH,+,1,M4,L14,ZPC(WHT),SWR	SA	3
7-3	4	WD0070	DC64-01521A	DOOR GLASS; WF8804DP,GLASS,T5.0,H120.5,NA	SA	1
7-4	4	WD0090	DC61-00891A	GUIDE HINGE; HAUZEN(DOM),POM,-,-,-,WHT,HI	SA	4
7-5	4	WD0096	DC61-01910A	HINGE-DOOR; WF8804DP,ALDC,T8,W45.5,L155,Z	SC	1
7-6	4	WP0103	DC61-01915B	BRACKET HOLDER; WF8804DP,GI-SGCC,T1.2,N/A	SA	1
7-7	4	WD0079	DC64-01897A	DOOR SAFETY; WD8704DJF,PET,T2.5,H24.1,W32	SA	1
7-8	4	WD0001	DC97-14328K	ASSY COVER DOOR; SCOUT-COMBO,WD0804W8E,AB	SA	1
7-9	4	WD0010	DC97-15375A	ASSY HOLDER GLASS; HEBA,ALL,PP,T3.0,480*4	SNA	1
7-9-1	5	WJ0064	6043-001093	PIN-PARALLEL(KEY); A,OD3,L40,PASS,STS204	SA	1
7-9-2	5	WD0130	DC61-02027A	SPRING ETC LEVER; STAINLESS-STS304,CD1.2,	SA	1
7-9-3	5	WD0114	DC66-00497A	LEVER DOOR; WF8804DP,ZNDC,T10,W10,L46,NI	SC	1
7-9-4	5	WD0104	DC61-01909A	HOLDER GLASS; WF8804DP,PP,T3.0,W479.5,L47	SA	1
7-9-5	5	WI0153	DC63-00853A	COVER HANDLE; WF8804DP,ABS,T2.3,W54.9,L23	SA	1
7-9-6	5	WD0093	DC64-01524A	HANDLE DOOR; WF8804DP,ABS,T2.5,W43,L113,G	SA	1
8	3	WF0006	DC97-15021A	ASSY FRAME FRONT(S); HEBA-PJT,-,-,-,DA	SC	1
8-1	4	WP0095	DC61-01981A	BRACKET FRAME; WF8804DP,GI-SGCC,T0.8,W20,	SA	1

5. Assy Panel Control & Drawer

Exploded View

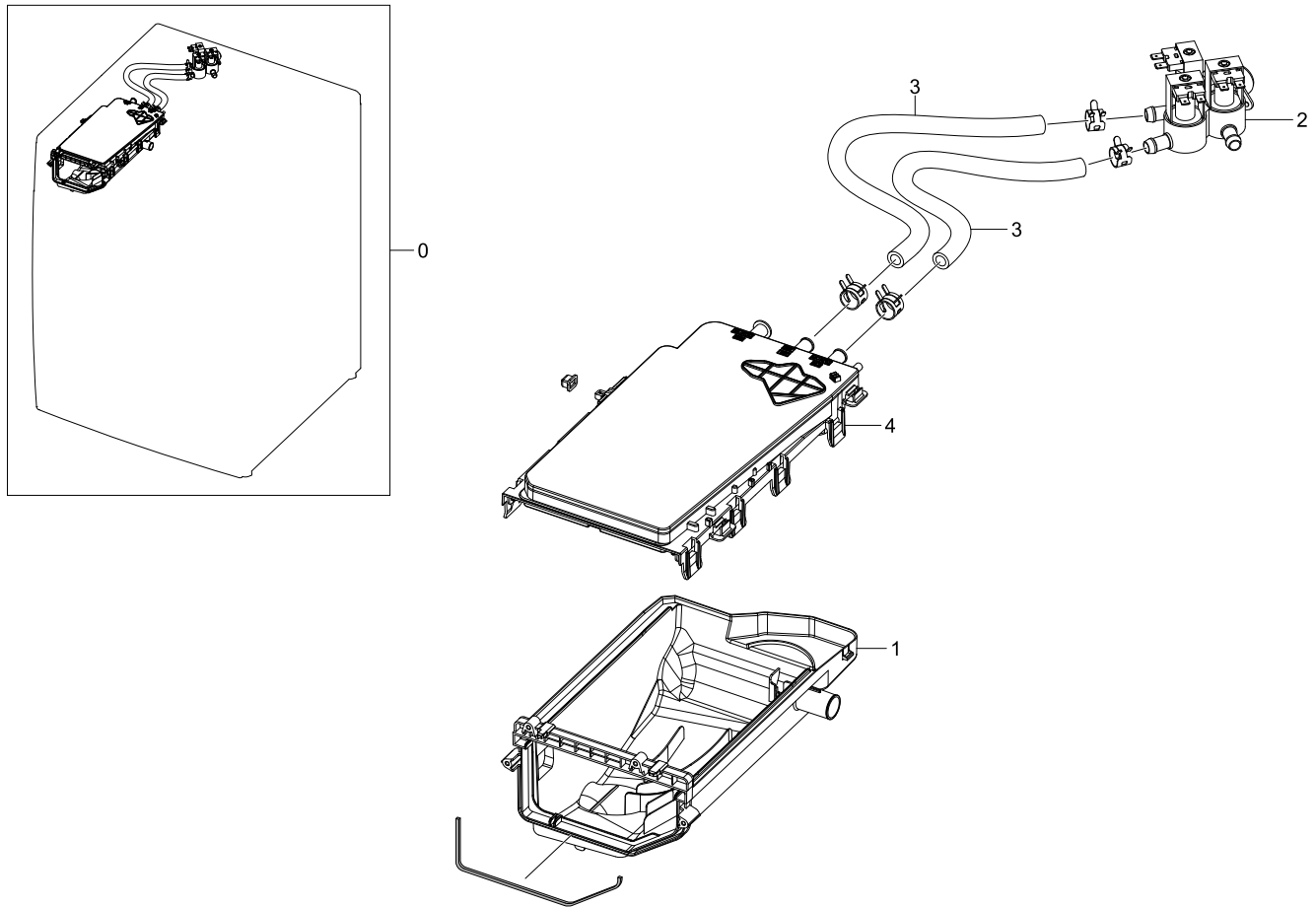


Parts List

No.	Lvl.	Loc.	Material Code	Description & Specification	SNA	Qty.
1	2	WC0009	DC97-15723B	ASSY KNOB ENCODER; GRIFFIN-PJT,WF9904RWE,	SC	1
2	2	WC0016	DC97-16541M	ASSY PANEL CONTROL; SCOUT COMBO,WD0804W8E	SNA	1
2-1	3	WC0001	DC97-16571G	ASSY BUTTON; SCOUT COMBO,WD0804W8E/XEF,WH	SA	1
3	2	WZ0025	DC92-00532A	ASSY PCB SUB; P171,SCOUT SUB,WD0804W8E/YA	SNA	1
4	2	WR0005	DC97-16021A	ASSY DRAWER; SCOUT,WF0804Y8E	SA	1
4-1	3	WR0029	DC61-02580A	BODY DRAWER; WF0800NCE,PP,T2.0,L265.5,W15	SA	1
4-2	3	WI0125	DC67-00452A	CAP RINSE; WF0800NCE,PP,W66.4,L219.2,ECO	SA	1

6. Assy Housing Drawer

Exploded View

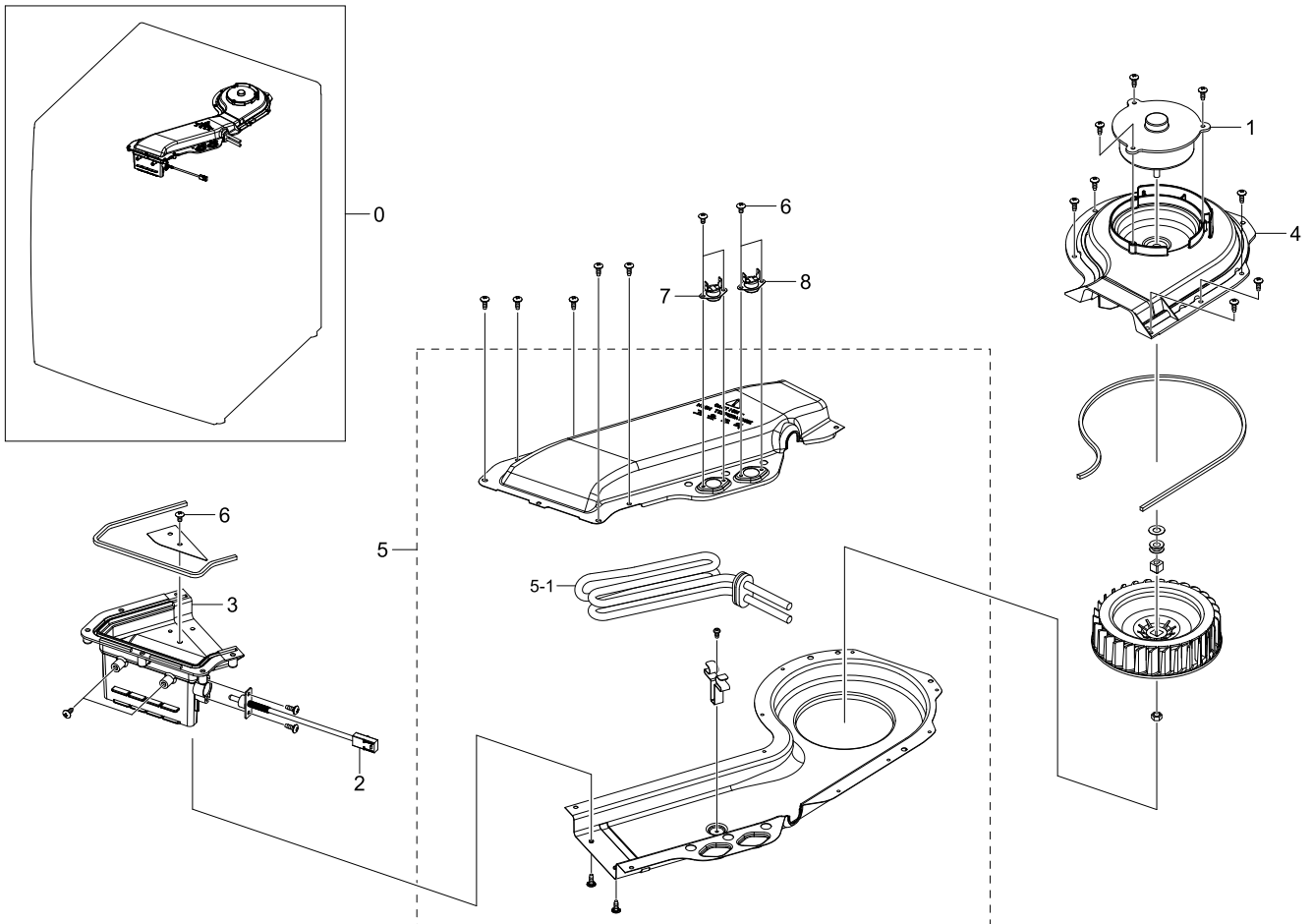


Parts List

No.	Lvl.	Loc.	Material Code	Description & Specification	SNA	Qty.
0	2	WR0008	DC97-16005E	ASSY HOUSING DRAWER; SCOUT,WD0804W8E,Comb	SNA	1
1	3	WR0050	DC61-02434A	HOUSING DRAWER-LOW; HEBA-PJT,PP,T1.8,NATU	SA	1
2	3	WE5125	DC62-00233B	VALVE WATER; 220-240,BLU,10,D-3	SA	1
3	3	WH5267	DC67-00051B	HOSE DRAWER; Q1636GW/XEU,EPDM,ID9.0,OD14.	SA	0
4	3	WR0012	DC97-16006A	ASSY S.HOUSING DRAWER; SCOUT,WF0804Y8E,PP	SA	1

7. Assy Duct Scroll

Exploded View



Parts List

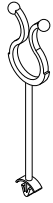


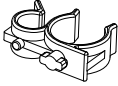


No.	Lvl.	Loc.	Material Code	Description & Specification	SNA	Qty.
0	2	WY0016	DC93-00033A	ASSY DUCT SCROLL; HEBA-COMBO,WD8700,-,-,-	SA	1
1	3	WS0087	DC31-00032D	MOTOR BLDC-FAN; DL-7806SSWC,1700,17.5VDC,	SA	1
2	3	WE5180	DC32-00004C	THERMISTOR; PTM-K51F-S16,R=3.3K γ %(at	SA	1
3	3	WY0082	DC61-02224A	HOUSING FAN-LOW FRONT; HEBA-COMBO,PA,T2.5	SA	1
4	3	WY0085	DC61-02229A	HOUSING FAN-UP REAR; HEBA-COMBO,PA,T3.0,B	SNA	1
5	3	WY0019	DC93-00056A	ASSY DUCT SCROLL-SUB; HEBA-COMBO,WM PW01	SA	1
5-1	4	WE0095	DC47-00008F	HEATER-DRY; -,HEBA-DD COMBO,Incoloy800,16	SA	1
6	3	WX0419	6002-000239	SCREW-TAPPING; TH,+ ,NO,2S,M4,L8,ZPC(WHT),	SA	3

Exploded Views and Parts List

No.	Lvl.	Loc.	Material Code	Description & Specification	SNA	Qty.
7	3	WE5166	DC47-00016B	THERMOSTAT; 125/250V,25A,-35,125+-5.0	SA	1
8	3	WE5165	DC47-00016C	THERMOSTAT; 125/250V,16A,-35,125+-5.0	SA	1

8. Small Parts

Exploded View

					
1	2	3	4	5	6

Parts List

No.	Lvl.	Loc.	Material Code	Description & Specification	SNA	Qty.
1	2	WI0293	DC61-00995C	HOLDER WIRE; HEBA-PJT,PA,-,NATURAL,-,2110	SA	1
2	2	WI0293	DC61-40081A	HOLDER WIRE; DAWH-2NC,PA,-,NATURAL,-	SA	11
3	2		DC61-02879A	HOLDER WIRE; WF8804CPA,PA,L58.6,NATURAL	SA	1
4	2		DC61-00133A	CLAMPER HOSE-FIX; P1291,PP,-,HOSE+PLUG,BJ	SNA	1
5	2		DC61-00118A	CLAMPER HOSE-FIX; P1291,PA66,ID27,OD30	SNA	1
6	2	WI0293	DC61-40086A	HOLDER WIRE; DAWH-3NB,PA,NTR(PI15)	SA	3