

Service  
Service  
**Service**



# Service Manual



© Copyright 2006 Philips Consumer Electronics B.V. Eindhoven, The Netherlands  
All rights reserved. No part of this publication may be reproduced, stored in a retrieval system or transmitted, in any form or by any means, electronic, mechanical, photocopying, or otherwise without the prior permission of Philips.

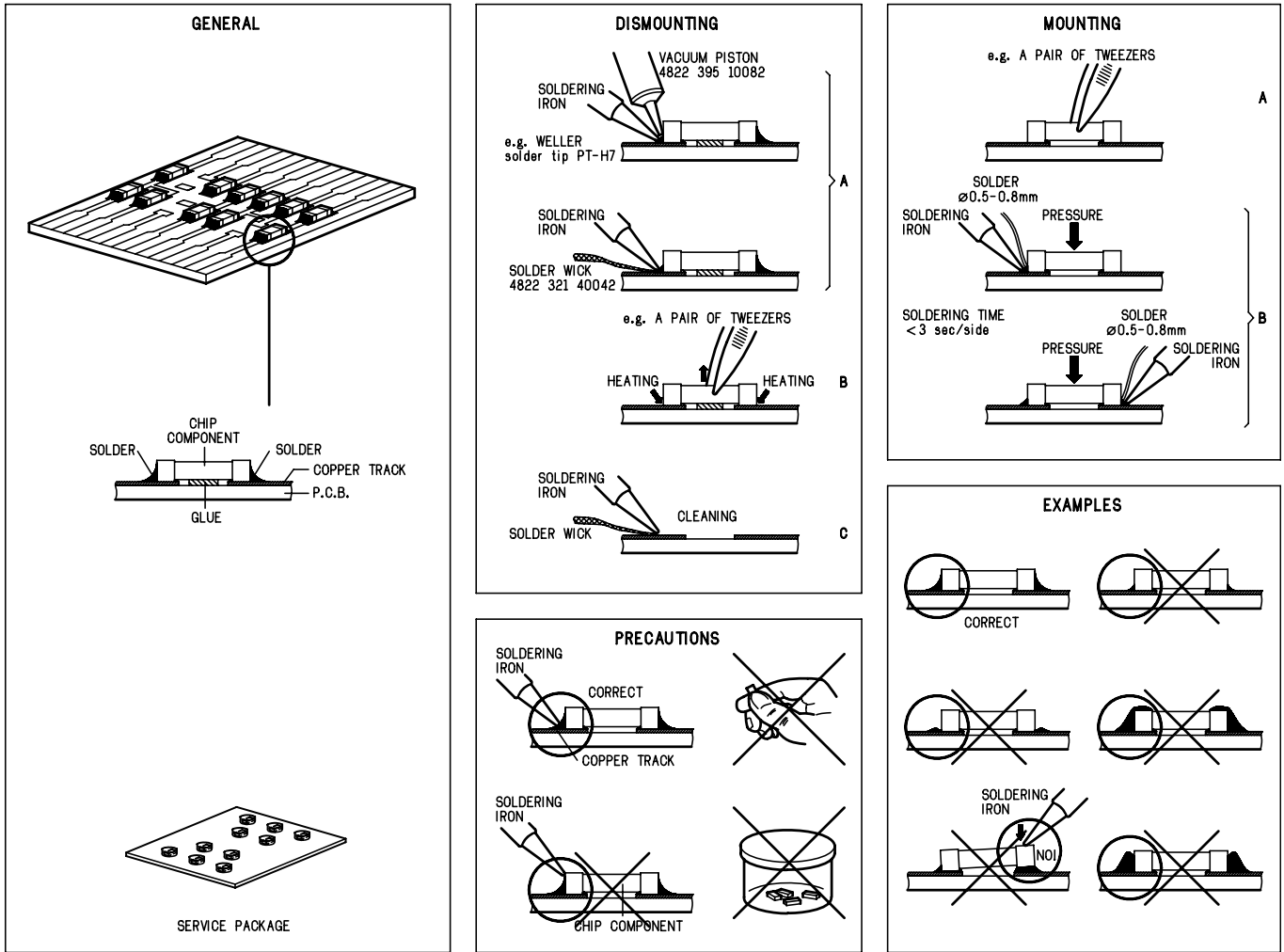
**CLASS 1  
LASER PRODUCT**



## TABLE OF CONTENTS

Handling chip components .....	1-1
Service tools .....	1-1
Leadfree and safety information .....	1-2
Technical specification .....	2-1
Connections and controls .....	3-1 ... 3-4
Disassembly Instructor .....	4-1 ... 4-5
Service test program .....	5-1 ... 5-2
Software upgrading procedure .....	5-3
CD database upgrading procedure .....	5-4
Set block diagram (waC7000) .....	6-1
Set block diagram (waS7000) .....	6-2
Set wiring diagram (waC7000) .....	7-1
Set wiring diagram (waS7000) .....	7-2
Keys & RC Board (waC7000)	
circuit diagram .....	8-1
layout diagram .....	8-2
Standby Key Board (waC7000) .....	8-3
Eject Key Board (waC7000) .....	8-3
AF Board (waC7000)	
circuit diagram .....	9-1 ... 9-3
layout diagram .....	9-4 ... 9-5
AMP Socket Board (waC7000) .....	9-6
AMP Board (waC7000)	
circuit diagram .....	10-1 ... 10-2
layout diagram .....	10-3 ... 10-4
Slot CD Loader Control Board (waC7000)	
circuit diagram .....	11-1
layout diagram .....	11-2
Interface HDD to Melody Board (waC7000)	
circuit diagram .....	11-1
layout diagram .....	11-2
Interface HDD-supply Board (waC7000)	
circuit diagram .....	12-1
layout diagram .....	12-2
Interface Ethernet (waS7000) .....	13-1
Interface IPOD (waS7000) .....	13-2
Keys & RC Board (waS7000)	
circuit diagram .....	14-1
layout diagram .....	14-2 ... 14-3
AF Board (waS7000)	
circuit diagram .....	15-1 ... 15-4
layout diagram .....	15-5 ... 15-6
HAS Module .....	16-1
circuit diagram .....	16-2 ... 16-11
layout diagram .....	16-12 ... 16-13
Exploded view diagram (waC7000) .....	17-1
Exploded view diagram (waS7000) .....	17-2
Mechanical & Electrical Partslist .....	17-3 ... 17-4

HANDLING CHIP COMPONENTS



SERVICE TOOLS

TORX T10 screwdriver with shaftlength 150mm.....	4822 395 50423
TORX screwdriver set SBC 163.....	4822 295 50145
<b>Audio signal disc</b> SBC 429.....	4822 397 30184
<b>Playability test disc</b> SBC 444.....	4822 397 30245
<b>Test disc 5</b> (disc without errors) +	
<b>Test disc 5A</b> (disc with dropout errors, black spots and fingerprints)	
SBC 426/426A.....	4822 397 30096
<b>Burn in test disc</b> (65 min. 1kHz signal at -30 dB level without "pause").....	4822 397 30155

AVAILABLE ESD PROTECTION EQUIPMENT

<b>anti-static table mat</b> large 1200x650x1.25mm	4822 466 10953
small 600x650x1.25mm	4822 466 10958
<b>anti-static wristband</b>	4822 395 10223
<b>connection box</b> (3 press stud connections, 1MΩ)	4822 320 11307
<b>extendible cable</b> (2m, 2MΩ, to connect wristband to connection box)	4822 320 11305
<b>connecting cable</b> (3m, 2MΩ, to connect table mat to connection box)	4822 320 11306
<b>earth cable</b> (1MΩ, to connect any product to mat or to connection box)	4822 320 11308
<b>KIT ESD3</b> (combining all 6 prior products - small table mat)	4822 310 10671
<b>wristband tester</b>	4822 344 13999

## INFORMATION ABOUT LEAD-FREE SOLDERING

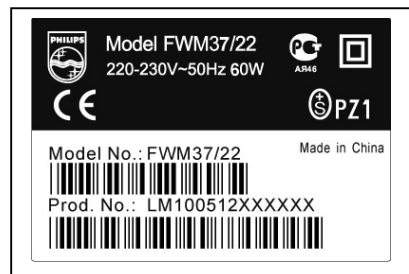
Philips CE is producing lead-free sets from 1.1.2005 onwards.

### IDENTIFICATION:

Regardless of special logo (not always indicated) one must treat all sets from 1 Jan 2005 onwards, according next rules:



### Example S/N:



Bottom line of typeplate gives a 14-digit S/N. Digit 5&6 is the year, digit 7&8 is the week number, so in this case 2005 wk12

So from 0501 onwards = from 1 Jan 2005 onwards

***Important note: In fact also products of year 2004 must be treated in this way as long as you avoid mixing solder-alloys (lead/ lead-free). So best to always use SAC305 and the higher temperatures belong to this.***

Due to lead-free technology some rules have to be respected by the workshop during a repair:

- Use only lead-free solder alloy Philips SAC305 with order code 0622 149 00106. If lead-free solder-paste is required, please contact the manufacturer of your solder-equipment. In general use of solder-paste within workshops should be avoided because paste is not easy to store and to handle.
- Use only adequate solder tools applicable for lead-free solder alloy. The solder tool must be able
  - To reach at least a solder-temperature of 400°C,
  - To stabilize the adjusted temperature at the solder-tip
  - To exchange solder-tips for different applications.
- Adjust your solder tool so that a temperature around 360°C – 380°C is reached and stabilized at the solder joint. Heating-time of the solder-joint should not exceed ~ 4 sec. Avoid temperatures above 400°C otherwise wear-out of tips will rise drastically and flux-fluid will be destroyed. To avoid wear-out of tips switch off un-used equipment, or reduce heat.
- Mix of lead-free solder alloy / parts with leaded solder alloy / parts is possible but PHILIPS recommends strongly to avoid mixed solder alloy types (leaded and lead-free).  
If one cannot avoid or does not know whether product is lead-free, clean carefully the solder-joint from old solder alloy and re-solder with new solder alloy (SAC305).
- Use only original spare-parts listed in the Service-Manuals. Not listed standard-material (commodities) has to be purchased at external companies.
- **Special information for BGA-ICs:**
  - always use the 12nc-recognizable soldering temperature profile of the specific BGA (for de-soldering always use the lead-free temperature profile, in case of doubt)
  - lead free BGA-ICs will be delivered in so-called 'dry-packaging' (sealed pack including a silica gel pack) to protect the IC against moisture. After opening, dependent of MSL-level seen on indicator-label in the bag, the BGA-IC possibly still has to be baked dry. (MSL=Moisture Sensitivity Level). This will be communicated via AYS-website.
  - Do not re-use BGAs at all.
- For sets produced before 1.1.2005 (except products of 2004), containing leaded solder-alloy and components, all needed spare-parts will be available till the end of the service-period. For repair of such sets nothing changes.
- On our website [www.atyourservice.ce.Philips.com](http://www.atyourservice.ce.Philips.com) you find more information to:
  - BGA-de-/soldering (+ baking instructions)
  - Heating-profiles of BGAs and other ICs used in Philips-sets

You will find this and more technical information within the "magazine", chapter "workshop news".

For additional questions please contact your local repair-helpdesk.

## SERVICE INSTRUCTION

Safety regulations require that after a repair, the set must be returned in its original condition. Pay in particular attention to the following points:



- Route the wire trees correctly and fix them with the mounted cable clamps.
- Check the insulation of the AC Power lead for external damage.
- Check the strain relief of the AC Power cord for proper function.
- Check the electrical DC resistance between the AC Power Plug and the secondary side (only for sets which have a AC Power isolated power supply):
  1. Unplug the AC Power cord and connect a wire between the two pins of the AC Power plug.
  2. Set the AC Power switch to the "on" position (keep the AC Power cord unplugged!).
  3. Measure the resistance value between the pins of the AC Power plug and the metal shielding of the tuner or the aerial connection on the set. The reading should be larger than 4.5 Mohm (For U.S. it should be between 4.2 Mohm and 12 Mohm).
  4. Switch "off" the set, and remove the wire between the two pins of the AC Power plug.
- Check the cabinet for defects, to avoid touching of any inner parts by the customer.

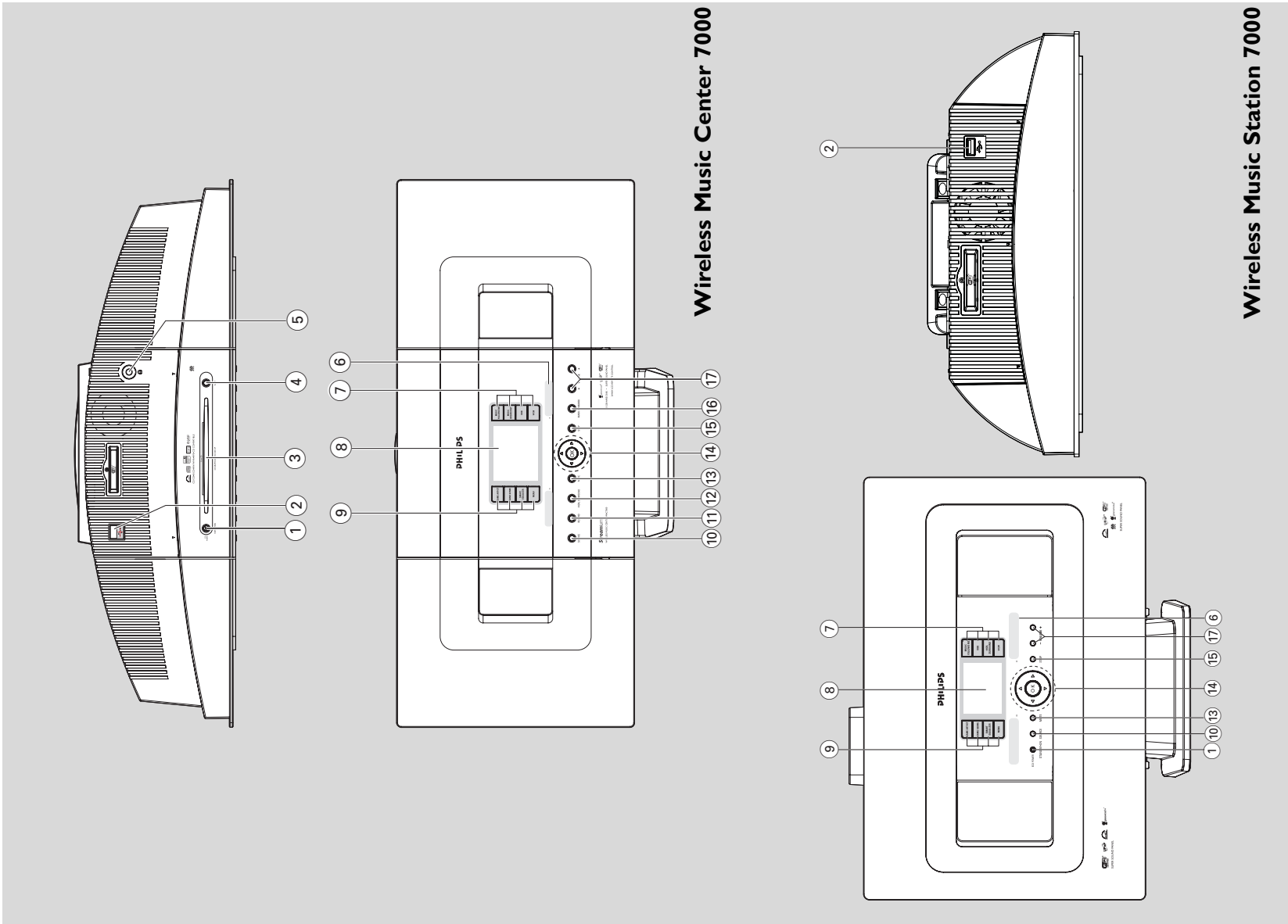
**TECHNICAL SPECIFICATION**

Mains voltage	/37 : ~120V /05/12/79 : ~230V /55/97 : ~240V/120V ( with voltage selection )
Mains frequency	/37 : 60Hz /05/12/79 : 50Hz /55/97 : 50Hz/60Hz
Battery	Center remote : 4 x AA Station remote : 2 x AA
Power consumption	Maximum : 25W Active standby : ≤14W Eco-standby : ≤1W
Dimension ( W x H x D )	waC7000 : 608x303x175mm waS7000 : 360x283x128mm
Weight	waC7000 : 7.7 kg waS7000 : 4.2 kg
Amplifier Out power ( RMS )	waC7000 : 2 x 15 + 1 x 25W waS7000 : 2 x 6 + 1 x 12W
Speaker impedance	waC7000 : 16 Ω ( panels ) : 8 Ω ( subwoofer ) waS7000 : 16 Ω ( panels ) : 8 Ω ( subwoofer )
Frequency response	: 50Hz-12KHz (±3dB)
S/N	: ≤72dB( IEC )
Aux input sensitivity	: 500mV
Headphone impedance	: 21 – 150 Ω
Wireless	Wireless standard : 802.11g ( backward compatible to 802.11b ) Wireless security : WEP 64 or 128bit : WPA , AES-CCM Frequency range : 2142 – 2462 MHz ( channel 1-11) Transmit range : >220m(mp3,320kbps) : >150m(pcm,1.6mbps)
Tuner-FM	Tuning range : 87.5 – 108.0MHz IF frequency : 10.7MHz Sensitivity limit : 25dBf Image rejection : >25dB IF rejection : >60dB Number of preset : 60 Antenna/cable : 75 Ω(coax or T-ant)
HDD/USB/CD player (for waC7000 only)	MP3 : all variable bit rate audio WMA : up to 160kbps bit rate HDD storage* : 80GB

Actual free space is 75GB or less due to the buffer partition for MP3 Compression , firmware ,music CD database and demo tracks storing.

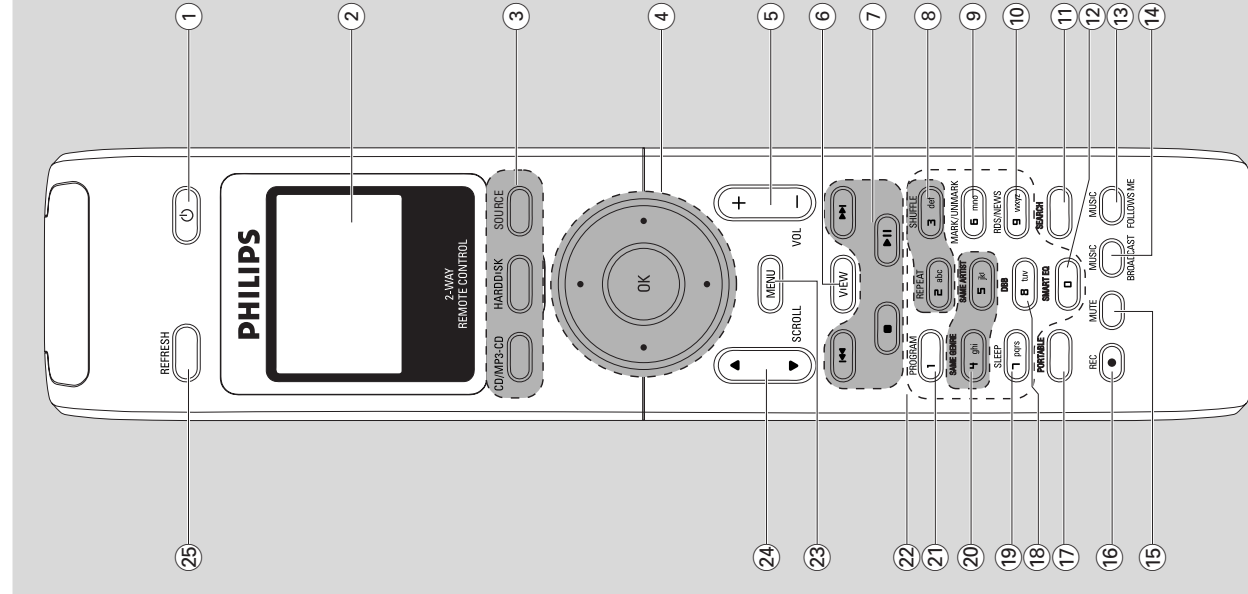
# Controls

- VIEW**  
toggles playback display and previous option list
- ⑧ **Display**  
shows status of the set
- ⑨ **SAME ARTIST**  
HD: plays all the tracks of current Artist
- SAME GENRE**  
HD: plays all the tracks of current Genre
- SMART EQUALIZER**  
HD: selects the matched sound setting for current Genre
- MENU**  
enters or exits setup menu
- ⑩ **SOURCE**  
selects sound source HD (hard disk), CD, Radio, USB, UPnP or AUX  
In **standby mode**: switches the set on and selects sound source HD, CD, Radio, USB, UPnP or AUX
- ⑪ **RECORD**  
CD/Radio/AUX: starts the recording to hard disk
- ⑫ **INCR. SURROUND**  
selects surround sound effect
- ⑬ **MUTE**  
switches the sound off temporarily
- ⑭ **◀ / ▶ / ▲ / ▼**  
navigation controls (left, right, up, down) to scroll through the option list
- ◀ **HD/CD**: returns to previous option lists  
**Radio**: enters the list of preset stations
- ▲ / ▼ **HD/CD**: skips/searches tracks/passage backward/forward (in playback screen); fast scrolls the option list  
**Radio**: tunes to radio stations
- ▶ / **OK**  
confirms selection
- OK**  
HD/CD: starts or pauses playback
- 
- Controls on Center and Station (Top and front panels)**
- ① **STANDBY-ON/ ECO POWER**  
press briefly to switch the set on or to standby mode;  
press and hold to switch the set to power-saving mode or on  
**Green indicator**: lights up green when the set is on  
**Red indicator**: lights up red when the set is switched to standby mode or power-saving mode
- ②  jack for the external USB mass storage device
- ③ **CD slot loader**
- ④ **EJECT**  
ejects a disc from the slot loader
- ⑤  3.5 mm headphone socket  
**Helpful hints:**  
– Adjust the volume to a moderate level before you plug in the headphones.  
– Connecting headphones will switch off the speakers.
- ⑥ **IR**  
sensor for the infrared remote control  
**Helpful hints:**  
– Always point the remote control towards this sensor.
- ⑦ **MUSIC FOLLOWS ME**  
HD: moves music playback from Center to Station, or from Station to Center
- MUSIC BROADCAST**  
HD: broadcast music from Center to Station
- DBB (Dynamic Bass Boost)**  
turns the bass enhancement on (DBB1, DBB2, DBB3) or off



# Controls

- ⑮ **STOP**  
— stops playback or recording
- ⑯ **MarkUNMark**  
CD: selects or deselects tracks to be recorded on hard disk
- ⑰ **VOLUME +, -**  
— adjusts the volume level



**2-way remote control**

# Controls

- | <ul style="list-style-type: none"> <li>① <b>Remote control</b><br/>— press briefly to switch the set on or to standby mode;</li> <li>— press and hold to switch the set to power-saving mode or on</li> <li>② <b>Synchro display</b><br/>— synchronous display of the set's status</li> <li>③ <b>CD/MP3-CD</b><br/>— selects CD source</li> <li>— <b>In standby mode:</b> switches the set on and selects CD source.</li> <li>— <b>HARDDISK (HD)</b><br/>selects HD (hard disk) source</li> <li>— <b>In standby mode:</b> switches the set on and selects HD source</li> <li>— <b>SOURCE</b><br/>selects Radio source, UPnP source, USB source or AUX from an additional connected appliance</li> <li>— <b>In standby mode:</b> switches the set on and selects Radio source, USB source, UPnP source or the audio input from an additional connected appliance</li> <li>④ <b>◀ / ▶ / ▲ / ▼</b><br/>— navigation controls (left, right, up, down) to scroll through the option list</li> <li>— <b>HD/CD:</b> returns to previous option lists</li> <li>— <b>Radio:</b> enters the list of preset stations</li> <li>— <b>Text input:</b> moves the cursor backward</li> <li>— <b>▲ / ▼</b><br/>HD/CD: skips/searches tracks/passage backward/passage forward (in playback screen); fast scrolls the option list</li> <li>— <b>Radio:</b> tunes to radio stations</li> </ul> | <ul style="list-style-type: none"> <li>— <b>▶ / OK</b><br/>confirms selection</li> <li>— <b>Text input:</b> confirms input and moves the cursor forward</li> <li>— <b>OK</b><br/>HD/CD: starts or pauses playback</li> <li>⑤ <b>VOL +, -</b><br/>— adjusts the volume level</li> <li>⑥ <b>VIEW</b><br/>— toggles playback screen and previous option list</li> <li>⑦ <b>◀◀ / ▶▶</b><br/>— skips/searches tracks/passage backward/forward (in playback screen)</li> <li>— <b>◀◀</b><br/><b>Text input:</b> deletes the input before cursor</li> <li>— <b>▶ /   </b><br/>starts or pauses playback</li> <li>— <b>■</b><br/>stops playback or recording</li> <li>— <b>REPEAT</b><br/>selects continuous playback</li> <li>— <b>SHUFFLE</b><br/>selects random playback</li> <li>⑧ <b>MARK/UNMARK (Center only)</b><br/>— CD: selects or deselects tracks to be recorded on hard disk</li> <li>⑩ <b>RDS/NEWS</b><br/>— <b>Radio:</b> selects RDS information</li> <li>— <b>HD/CD/UPnP/AUX:</b> turns NEWS function on or off</li> <li>⑪ <b>SEARCH</b><br/>— searches by keywords</li> <li>⑫ <b>SMART EQ</b><br/>— HD: selects the matched sound setting for current Genre</li> <li>⑬ <b>MUSIC FOLLOWS ME</b><br/>— HD: moves music playback between Center and Station</li> </ul> | <ul style="list-style-type: none"> <li>— <b>1</b></li> <li>— <b>2</b></li> <li>— <b>3</b></li> <li>— <b>4</b></li> <li>— <b>5</b></li> <li>— <b>6</b></li> <li>— <b>7</b></li> <li>— <b>8</b></li> <li>— <b>9</b></li> <li>— <b>10</b></li> <li>— <b>11</b></li> <li>— <b>12</b></li> <li>— <b>13</b></li> </ul> |
|--|---|--|

**1-way remote control**

# CONNECTION AND CONTROLS

## Controls

- ⑭ **MUSIC BROADCAST (Center only)**  
HD: broadcast music from Center to Station
- ⑮ **MUTE**  
switches the sound off temporarily
- ⑯ **REC**  
switch  
CD/Radio/AUX: starts the recording to hard disk
- ⑰ **PORTABLE**  
select the audio input from a connected hard disk player
- ⑱ **DBB (Dynamic Bass Boost)**  
turns the bass enhancement on (DBB1, DBB2, DBB3) or off
- ⑲ **SLEEP**  
adjusts/displays/switches off sleep timer
- ⑳ **SAME GENRE**  
HD: plays all the tracks of current Genre
- ㉑ **SAME ARTIST**  
HD: plays all the tracks of current Artist
- ㉒ **PROGRAM**  
Radio: manually programs preset radio stations
- ㉓ **Alphanumeric keys**  
for text input
- ㉔ **MENU**  
enters or exits setup menu
- ㉕ **SCROLL ▲ / ▼**  
scrolls the display screen upward or downward
- ㉖ **REFRESH**  
synchronize remote control's display with the set's display
- ㉗ **INCR. SURR.**  
selects surround sound effect
- ㉘ **DIM**  
changes the brightness of display illumination

For more information on operation instruction please visit Philips

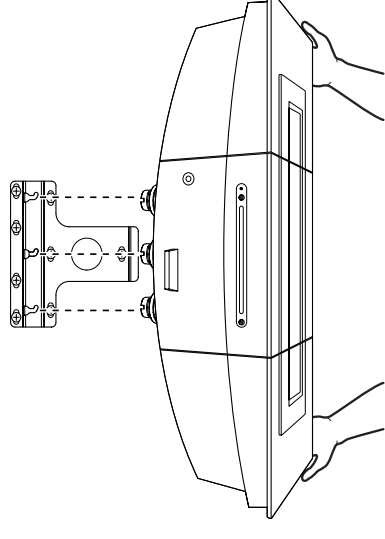
Audio internet site :

<http://www.audio.philips.com>

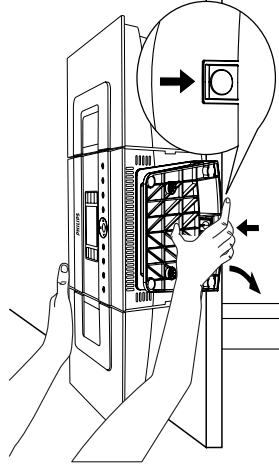


## Appendix

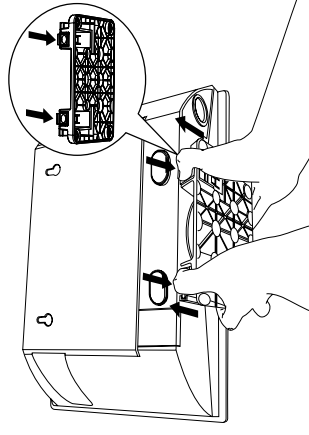
- 5** To detach the stand from Center or Station,  
 a. As shown, hold down the **Lock•unlock** button(s).  
 b. Move out the stand to detach.



**Center**

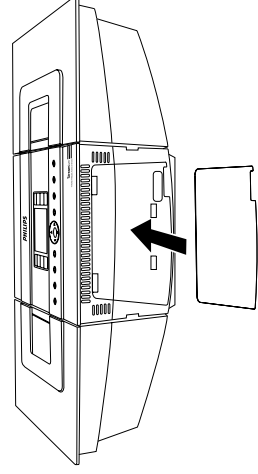


**Center**



**Station**

- 6** On Center, insert the supplied protective card sheet where the stand was installed.



## Appendix

### Preparation

- To find a suitable location for mounting, try your necessary rear connections and the Wi-Fi connection between Center and Station (see the chapter **Installation**).
- Ask a qualified person to help you with the wall mounting, who should:
  - to avoid unexpected damage, learn about the piping, wiring and other relevant information inside your walls;
  - according to your walls' materials, decide what type of screws you need to fix the mounting brackets and hold the weight of a Center or Station;
  - according to the drilling requirements, choose suitable drilling tools;
  - take other precautions necessary for the wall mounting work.

### Mounting your Center or Station

- Align the bracket (for Center or Station) in the chosen location on a wall. Use a pencil to mark the drilling positions.
- Drill holes as marked.
- Fix the brackets to the wall using suitable screws (not supplied).
- As shown, fasten the supplied screws to your Center or Station using a screwdriver.

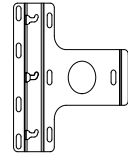
### How to mount your Center and Station onto walls

#### IMPORTANT!

- The wall mounting instructions are for the use of the qualified wall mounting person only!
- Ask a qualified person to help you with the wall mounting, which includes drilling holes on the wall, fixing the mounting brackets to the wall, and mounting the sets onto the brackets.

### What's in the supplied mounting kits

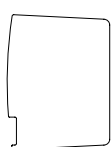
#### For Center:



1 x mounting bracket

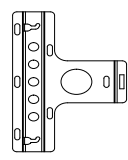


3 x screws (for Center mounting)



1 x protective card sheet

#### For Station:



1 x mounting bracket



2 x screws (for Station mounting)

### What else you'll need

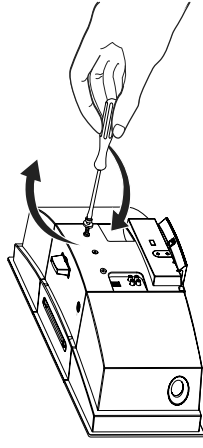
- 8 x screws for fixing the Center's bracket
- 6 x screws for fixing the Station's bracket
- Drilling tools (e.g. electric drill)

### Preparation

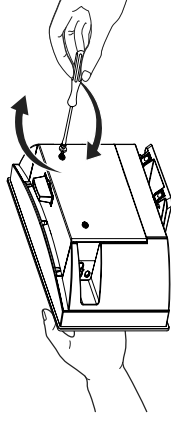
- To find a suitable location for mounting, try your necessary rear connections and the Wi-Fi connection between Center and Station (see the chapter **Installation**).
- Ask a qualified person to help you with the wall mounting, who should:
  - to avoid unexpected damage, learn about the piping, wiring and other relevant information inside your walls;
  - according to your walls' materials, decide what type of screws you need to fix the mounting brackets and hold the weight of a Center or Station;
  - according to the drilling requirements, choose suitable drilling tools;
  - take other precautions necessary for the wall mounting work.

### Mounting your Center or Station

- Align the bracket (for Center or Station) in the chosen location on a wall. Use a pencil to mark the drilling positions.
- Drill holes as marked.
- Fix the brackets to the wall using suitable screws (not supplied).
- As shown, fasten the supplied screws to your Center or Station using a screwdriver.



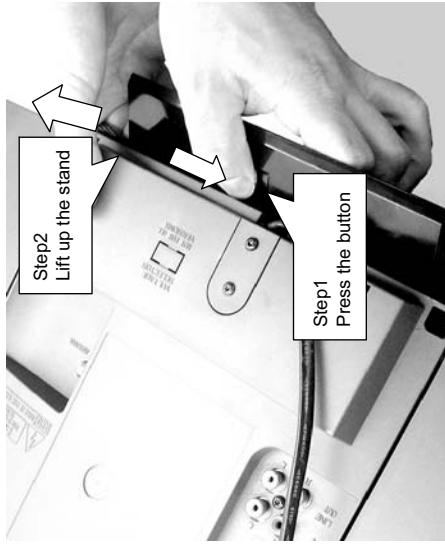
**Center**



**Station**

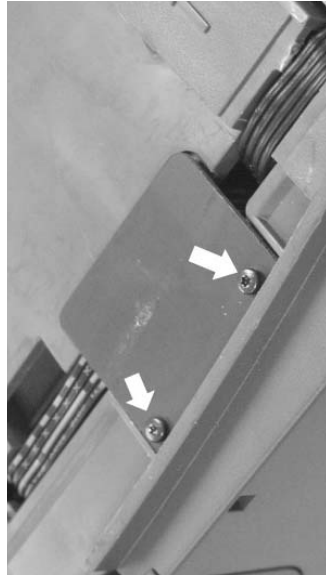
### DISASSEMBLY INSTRUCTION(waC7000)

#### 1. Remove Stand

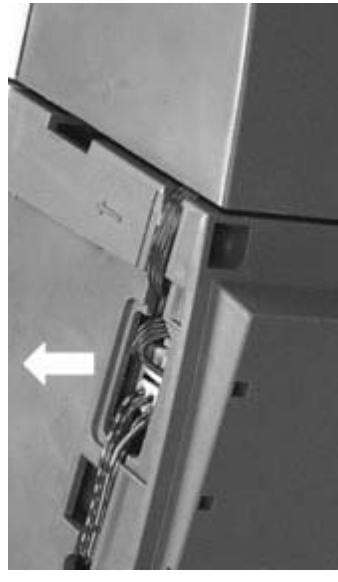


#### 2. Remove Loudspeaker Box

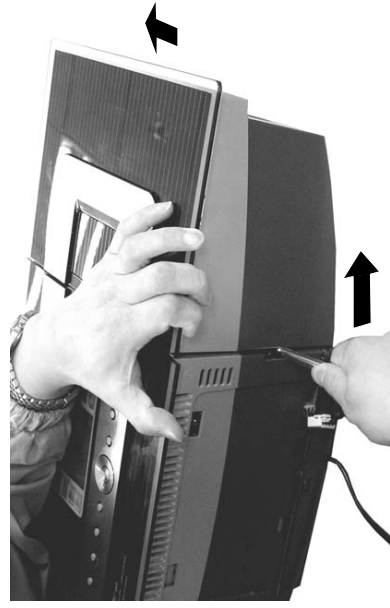
a. remove screws M2x8 - 2 pcs



b. pull out speaker cable connector



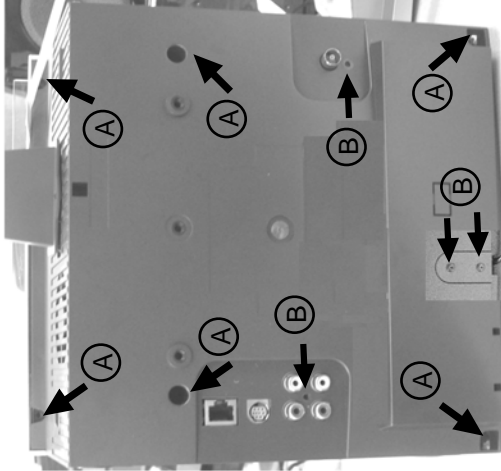
c. take out loudspeakers



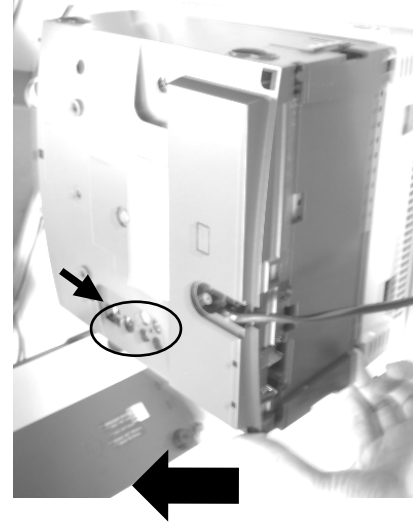
#### 3. Separate Front and Back Cabinet.

a1. remove screws T3x20 - 6 pcs. (A)

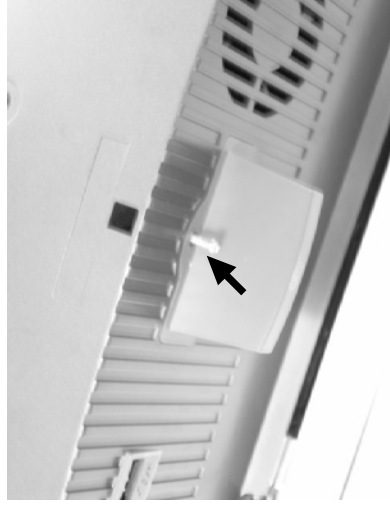
a2. remove screws T3x10 - 4 pcs. (B)



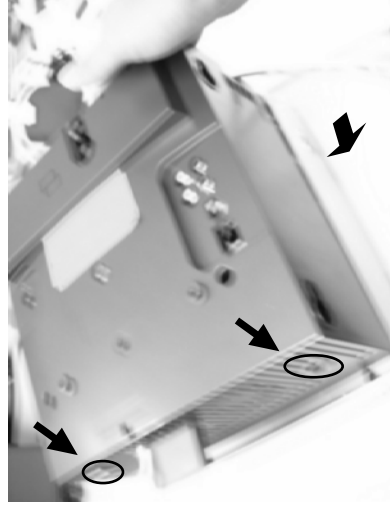
c. lift the back cabinet till the terminals sink.



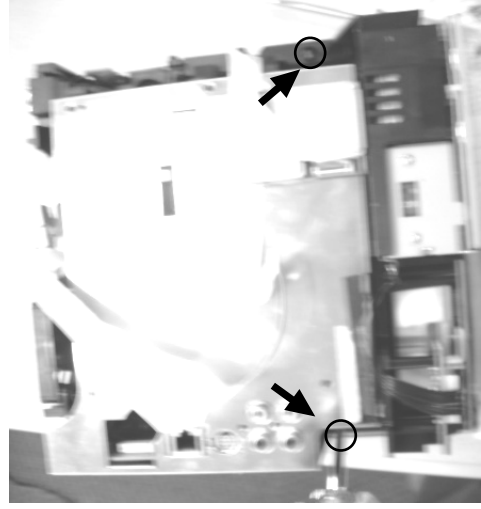
b. remove screw M2X10 - 1pcs and remove ant cover.



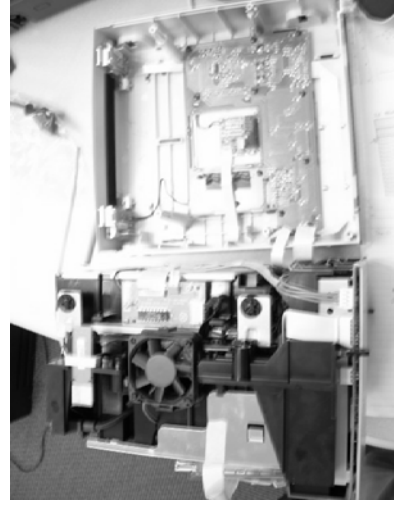
d. lift the back cabinet till the terminals sink.



e. remove screws M3X12 - 2pcs.



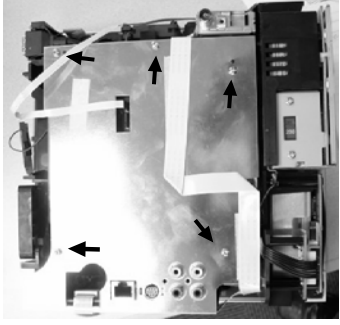
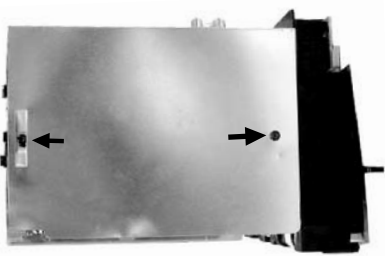
f. pull out Core Pre-assembly



### DISASSEMBLY INSTRUCTION(waC7000)

4. Remove Shield Sheet

a. remove screw T3x10 - 7 pcs.

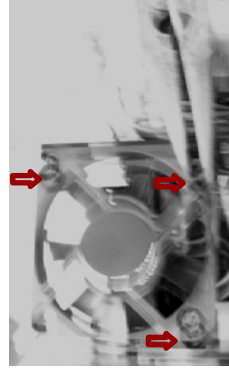


b. release 2 catches and pull out the shield sheet.



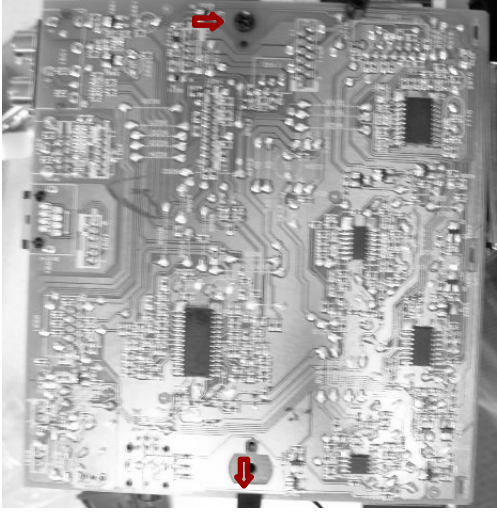
5. Remove cooling FAN

- crush rubbers - 3 pcs and pull out fan.



6. Remove PBAS - AF

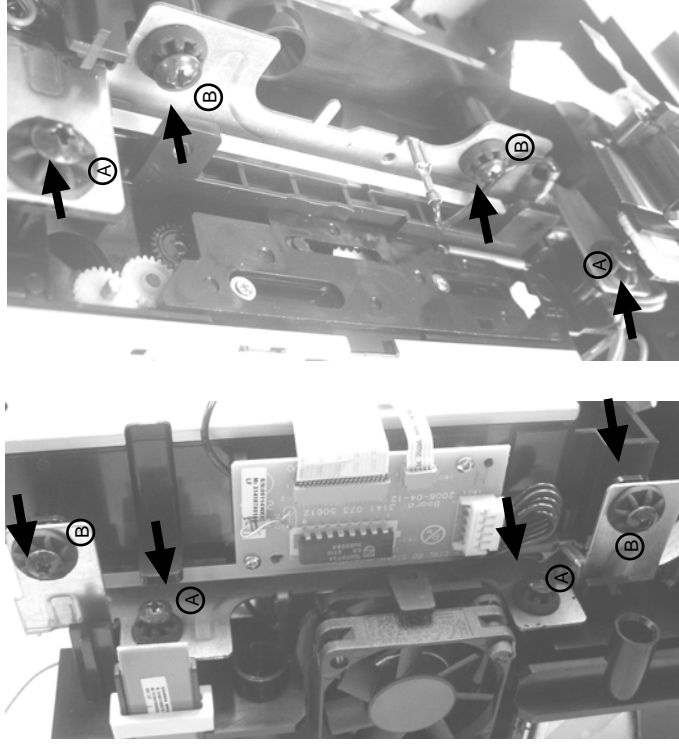
- remove screws T3x10 - 1 pcs and release hook - 1 pcs.



7. Remove Bracket CD/HDD

a. remove screws T3x10 - 4 pcs. (A)

b. remove screws T3x6 - 4 pcs. (B)



b. remove screws T4x6 - 1 pcs.

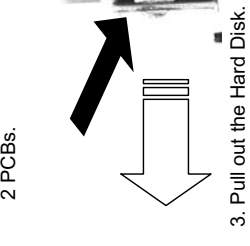


8. Remove Hard Disk

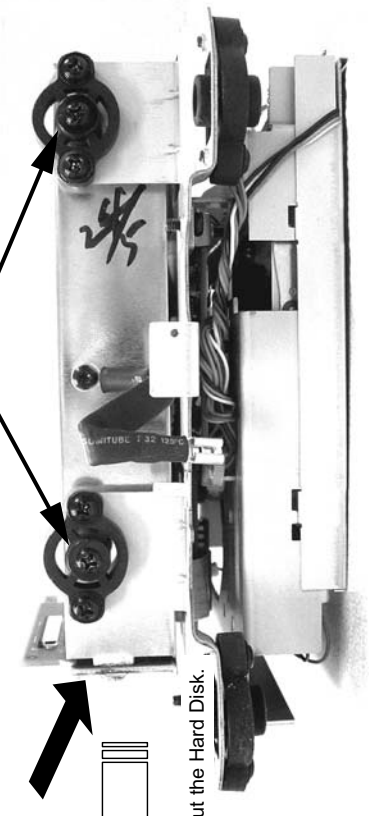
- remove screws (314107040061) - 4 pcs.

1. Remove 4 pcs screws

2. Melt away the solder and take away 2 PCBs.

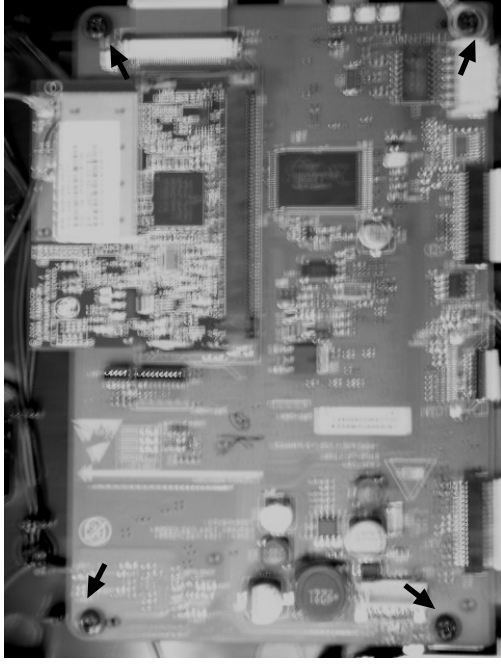


3. Pull out the Hard Disk.



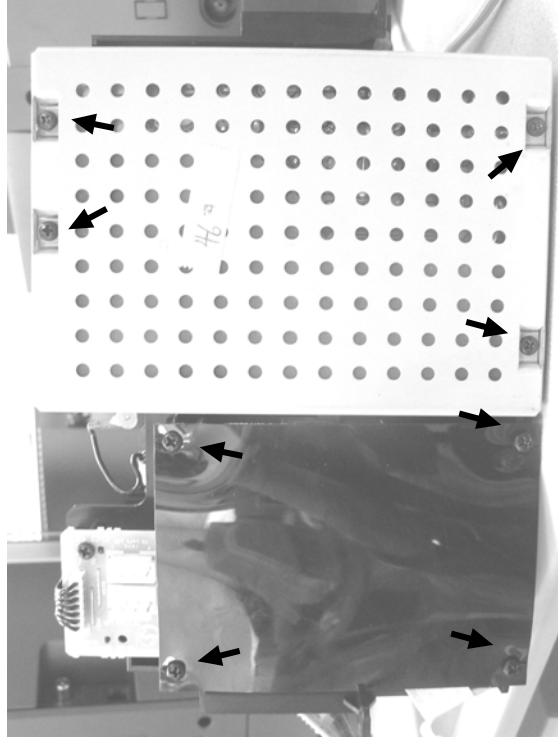
9. Remove HAS module

- remove screws T3x10 - 4 pcs.

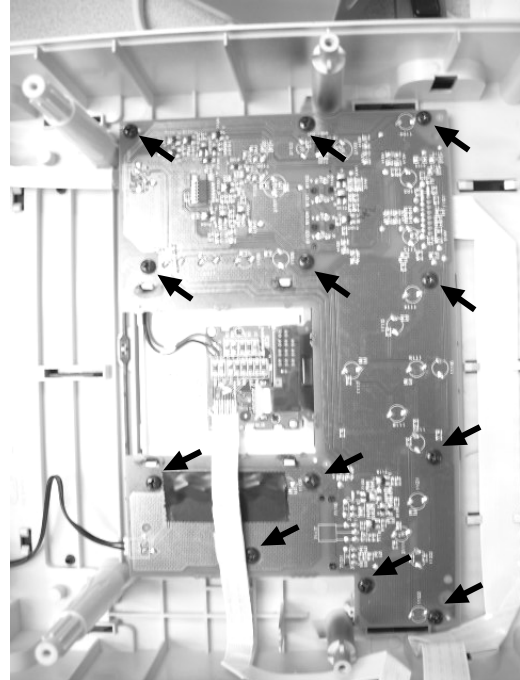


**DISASSEMBLY INSTRUCTION(waC7000)**

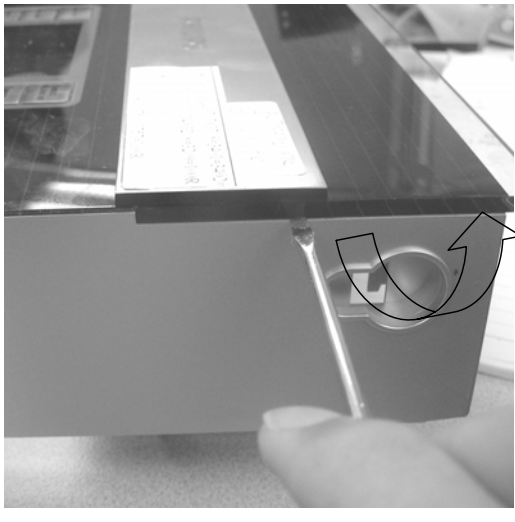
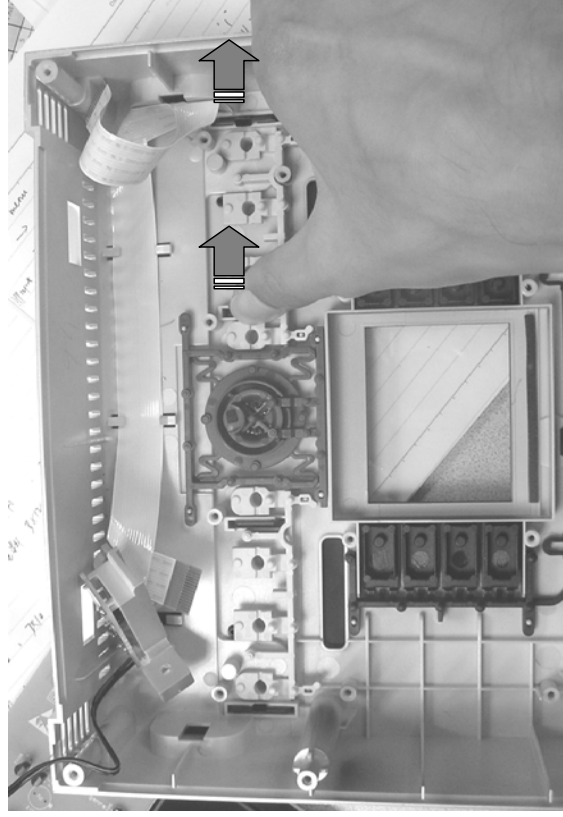
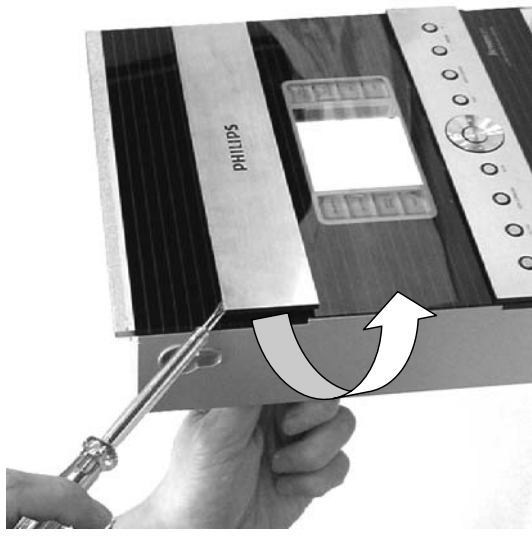
10. Remove AMP board and Supply module  
- remove screws T3x12 - 8 pcs.



11. Remove PBAS Front  
- remove screws T3x10 - 12 pcs.



13. Remove COVER FNT CEN BTM and COVER FNT CEN UPPER



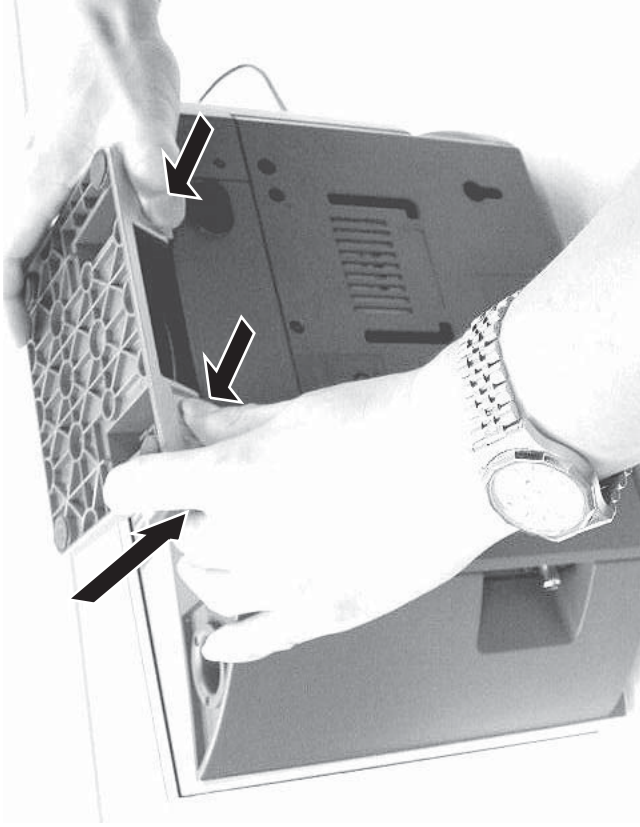
12. Remove BTN PWR/REC PRE-ASSY

- remove screws T3x8 - 2 pcs.

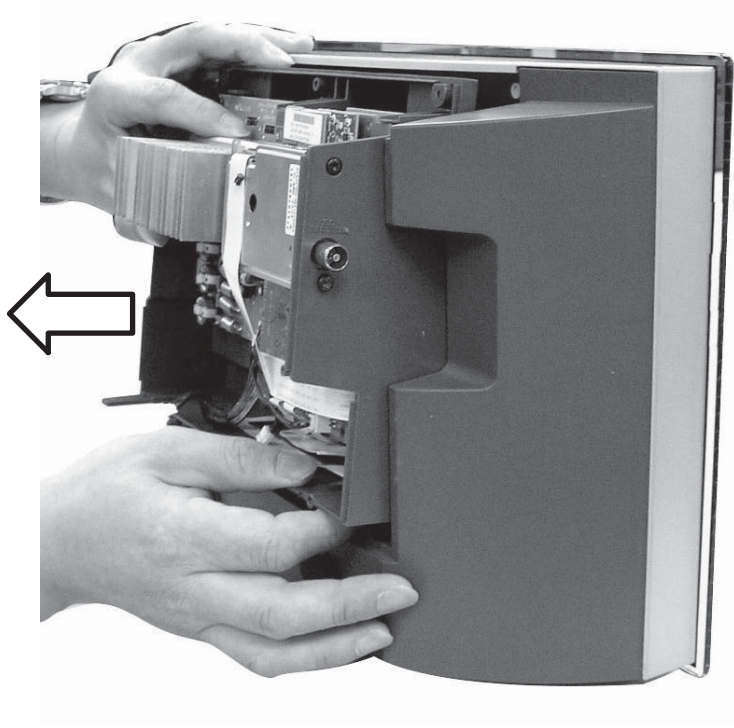


### DISASSEMBLY INSTRUCTION(waS7000)

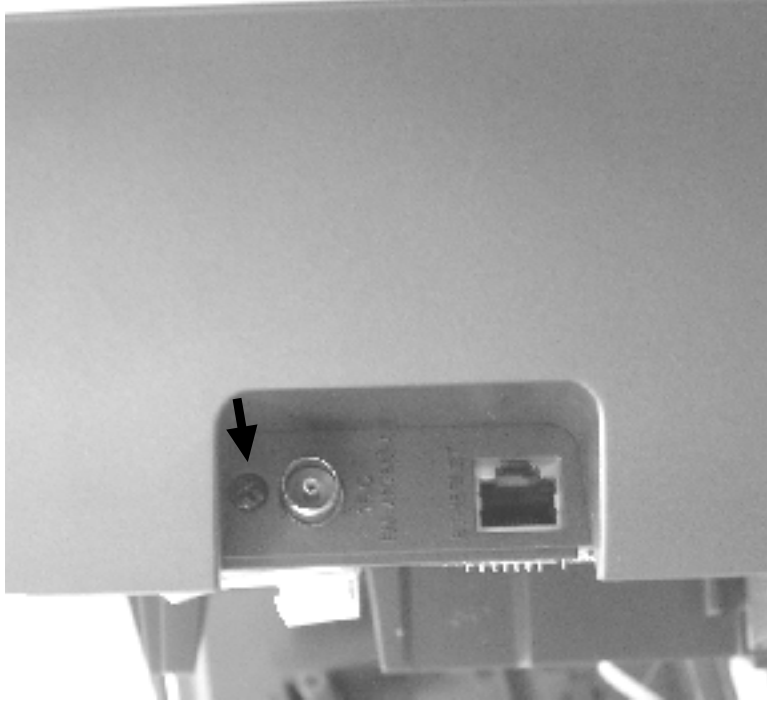
1. Remove STAND.



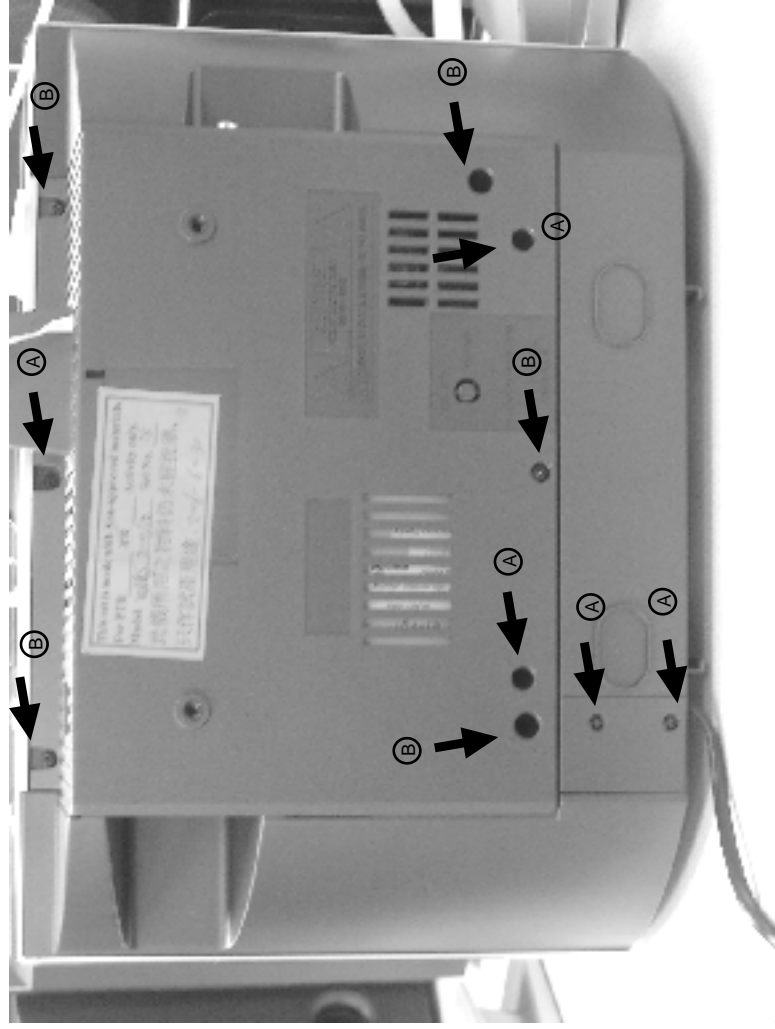
3. Remove F-CAB CENTER PRE-ASSY.



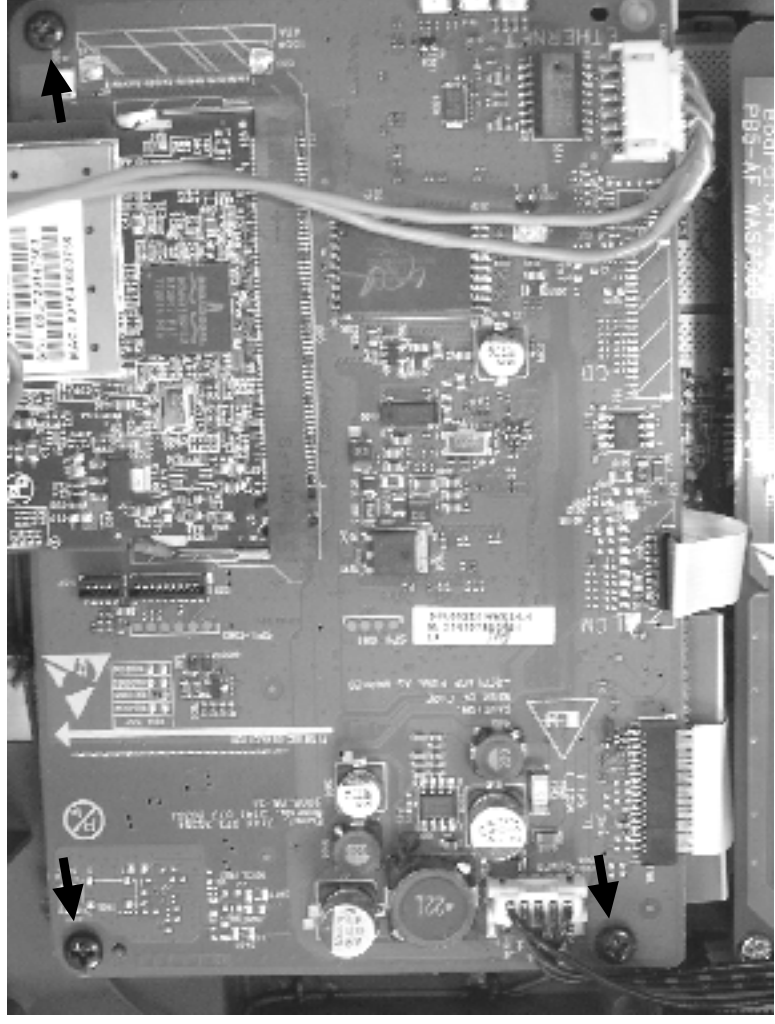
4. Remove Tuner Module  
Screw M3x6 - 1 pcs.



2. Remove Cabinet Back Assy.  
Screw T3x12 - 5 pcs. (A)  
Screw T3x16 - 5 pcs. (B)

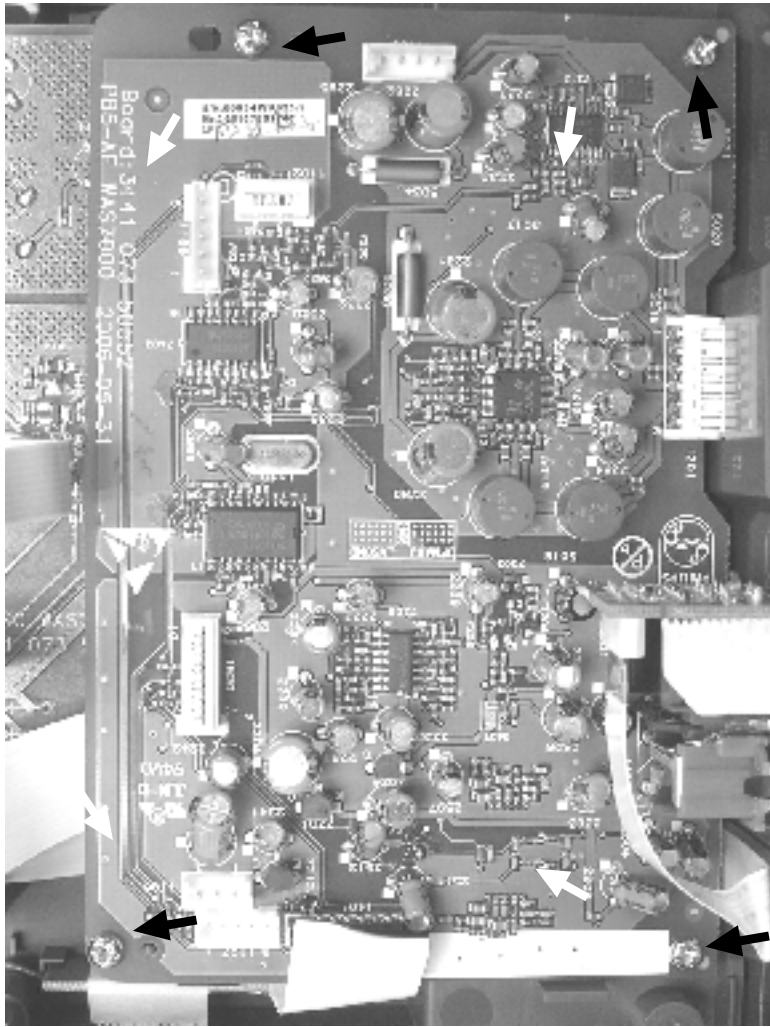


5. Remove WESSLI-3A Module  
Screw T3x10 - 3 pcs.

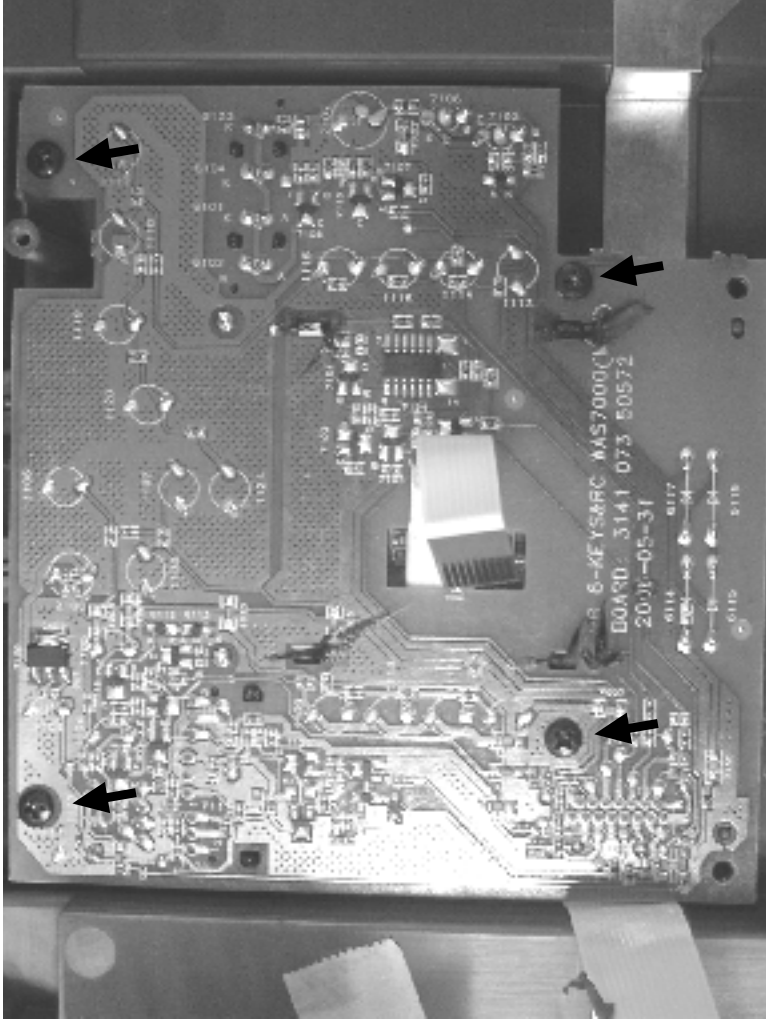


**DISASSEMBLY INSTRUCTION(waS7000)**

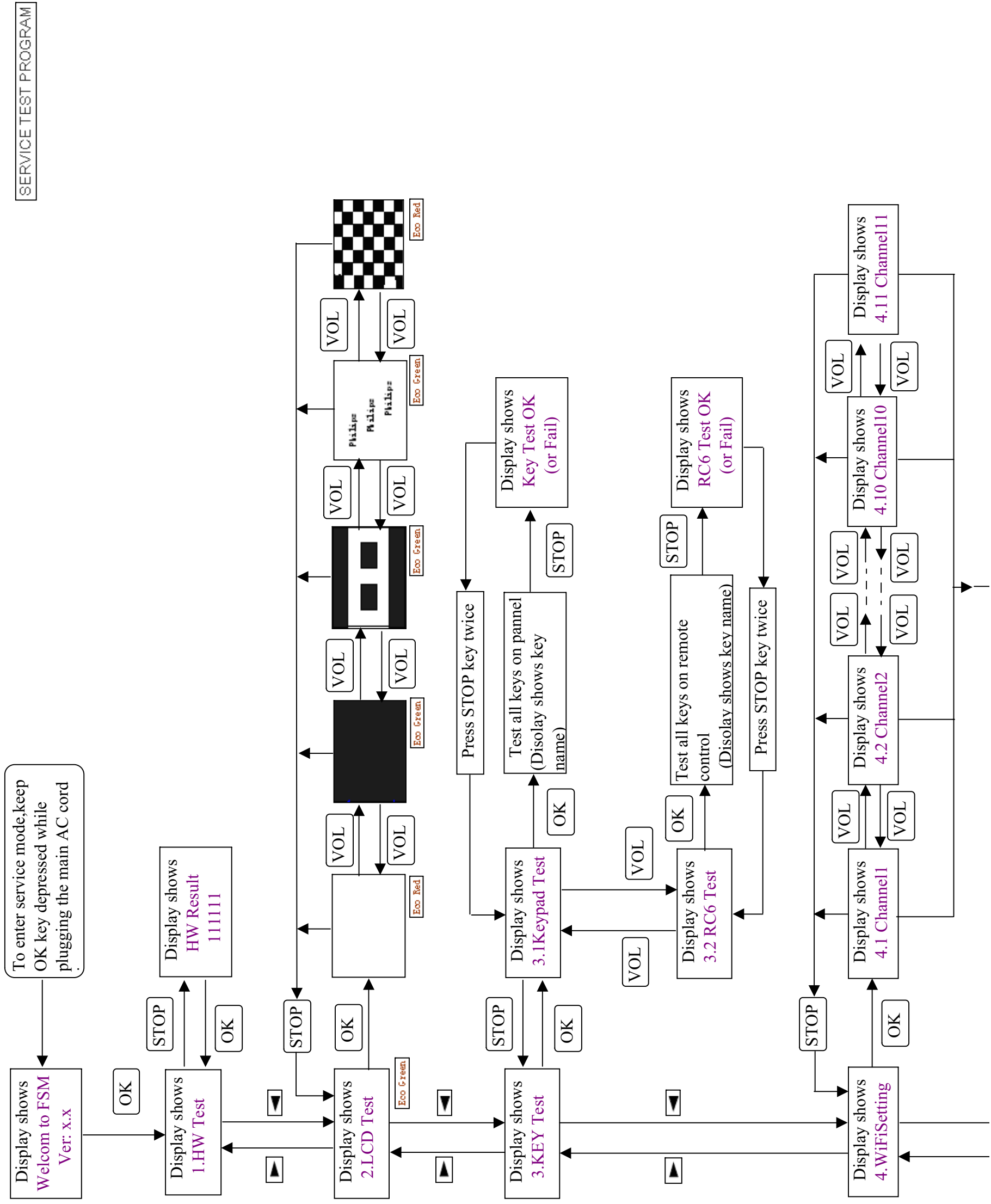
- 6. Remove PBAS 5 - AF from Centre Cabinet  
Screw T3x8 - 4 pcs.



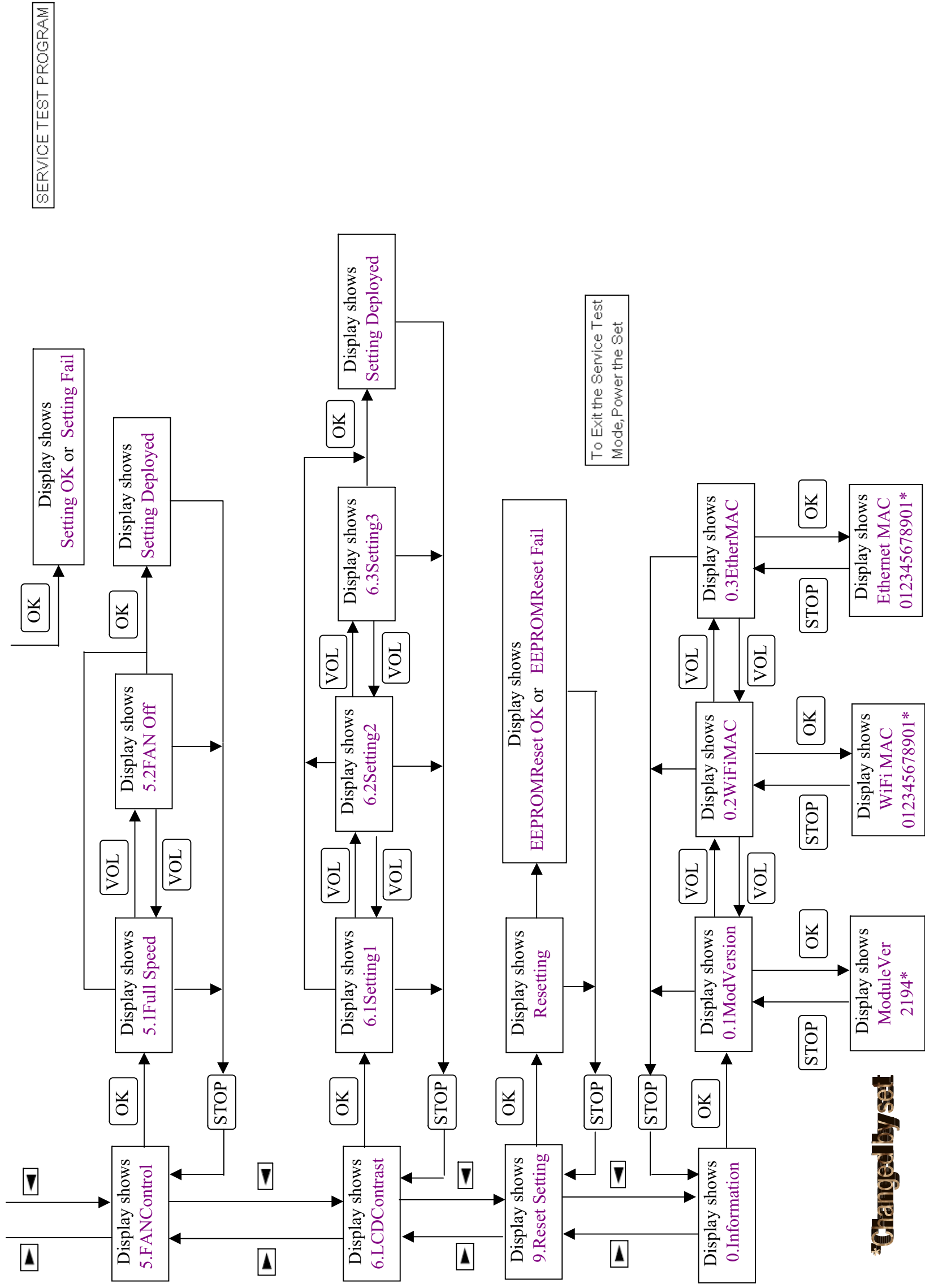
- 7. Remove PBAS 6 - KEYS&RC from Centre Cabinet  
Screw T3x10 - 4 pcs.



# SERVICE TEST PROGRAM



SERVICE TEST PROGRAM



Changed by set

SERVICE TEST PROGRAM



## SOFTWARE UPGRADING PROCEDURE(waC7000)

### Software Version Verification Procedure

It is important to write down the system version information of your Center before you start the upgrade procedure. This information is also useful in case you need to call Philips Customer Care Center.

1. Press **MENU**.
2. Press **▲/▼** to select "**Information**". Press **OK**.
3. Press **▲/▼** to select "**System**". Press **OK**.
4. The software version number is shown on the display.
5. If the software version is not the latest one, you need to upgrade waCS7000.

There are 2 ways to update the software.

- A) Using CD-Rom
- B) Using WADM

### A. Using CD-Rom

#### 1. Software Upgrade Disc Preparation

Tools Required : You will need the following items :

- PC (Pentium III 300MHz processor or higher)
- CD-R/RW writer and writing application software
- Blank CD-R or CDRW disc
- Broadband / High speed internet connection

#### 2. How to download the software to your computer

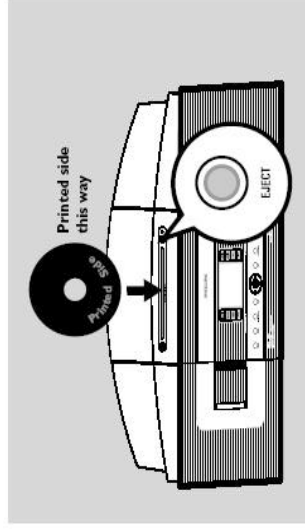
1. To download free firmware and software upgrades for your product, please login to [www.club.philips.com](http://www.club.philips.com)  
Download the firmware upgrade files and store them on your PC
2. Unzip the .zip file and extract files into your PC.

#### Note:

- Please do not rename the filename.
- If you do not have the software to open the .zip file, please visit below website to download the software.  
<http://www.winzip.com/>

#### 3. Steps to upgrade the waCS7000

1. Make sure the Audio Station has connected to the Audio Center.
2. Burn the file to blank CD-R or CDRW. Finalize the disc. (The application may do this automatically.)
3. Turn on the Audio Center and turn on the Audio Station, insert the CD to the slot loader, CD graphic printed side facing you.



4. The Audio Center will upgrade automatically.
  - The message "**Updating firmware, please wait....**" and the "**process bar**" show on the display of the Audio Center.
  - The upgrade process of the Center will reboot twice

**Note: Do NOT power off the Audio Center or eject the disc at this stage.**

5. It takes around 5 mins to complete the firmware upgrade for the Audio Center.

6. When done, the Audio Center will go to the HD mode automatically. Then the Audio Center will upgrade the Station wireless automatically.

7. It takes around 5 mins to complete the firmware upgrade for the Audio Station.

- The message "**Updating firmware, please wait....**" and the "**process bar**" show on the display of the Audio Station.
- The upgrade process of the Audio Station will reboot twice

**Note: Do NOT power off the Audio Station at this stage.**

8. When done, the Audio Station will go to the HD mode. You can start the normal operations afterward.

#### 3. After the upgrade

Do confirm the software version by checking the system version.  
Please follow the procedure described in the section "**Software Version Verification Procedures**".

## B. Using WADM

### 1. How to download the software to your computer

1. To download free firmware and software upgrades for your product, please login to [www.club.philips.com](http://www.club.philips.com)  
Download the firmware upgrade files and store them on your PC

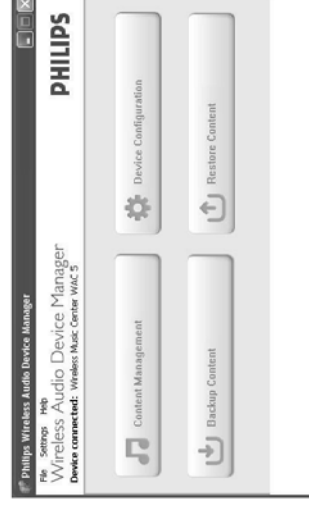
2. Unzip the .zip file and extract files into your PC.

#### Note:

- Please do not rename the filename.
- If you do not have the software to open the .zip file, please visit below website to download the software.  
<http://www.winzip.com/>

### 2. Steps to update waCS7000

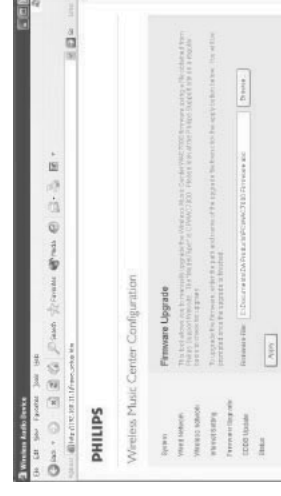
1. Make sure the Audio Station has connected to the Audio Center.
2. Launch the WADM



3. Click the "Device configuration" button to start

→ The IE browser is launched

4. Click to enter the "Firmware upgrade" sub-menu
5. As prompted, click "Browse" and indicate the location where you kept the firmware upgrade files on PC



4. Click **Apply** to start upgrading firmware  
On Philips Wireless Music Center:  
→ The display shows

- "Updating firmware, please wait..."
- Center will reboot itself during the installation process
- When Center returns to HD screen, the installation is completed

Then, on Philips Wireless Music Station:

- Installation starts automatically
- When Station returns to HD screen, the installation is completed



## IMPORTANT

On Philips Wireless Music Center/ Station:

- Never interrupt the firmware upgrading before its completion.
- Before finishing the installation, never operate other functions.

### 5. After the upgrade

Do confirm the software version by checking the system version.  
Please follow the procedure described in the section "**Software Version Verification Procedures**".

## CD DATABASE UPGRADING PROCEDURE(waC7000)

The CD Database is provided quarterly on the internet. There are 2 ways to update the embedded CDDB.

- A) Using CD-Rom
- B) Using WADM

### A. Using CD-Rom

#### 1. CDDB Update Disc Preparation

Tools Required : You will need the following items :

- PC (Pentium III 300MHz processor or higher)
- CD-R/RW writer and writing application software
- Blank CD-R or CDRW disc
- Broadband / High speed internet connection

#### 2. How to download the CDDB to your computer

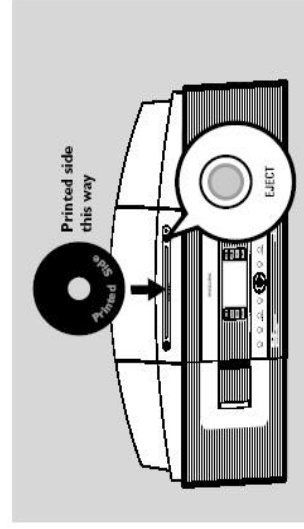
1. Register your Philips wireless audio product with [www.club.philips.com](http://www.club.philips.com)  
Download the CD Database update files and store them on your PC
2. Unzip the .zip file and extract files into your PC.

#### Note:

- Please do not rename the filename.
- If you do not have the software to open the .zip file, please visit below website to download the software.  
<http://www.winzip.com/>

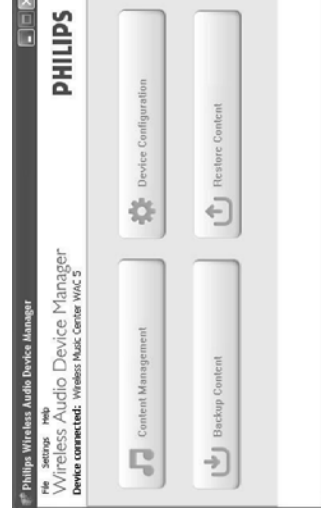
#### 3. Steps to update the Gracenote CDDB

1. Burn the file to blank CD-R or CDRW. Finalize the disc. (The application may do this automatically.)
2. Turn on the Audio Center.
3. Insert CD into Audio Center's CD loader, with CD graphic printed side facing you.



1. Make sure the Audio Station has connected to the Audio Center.

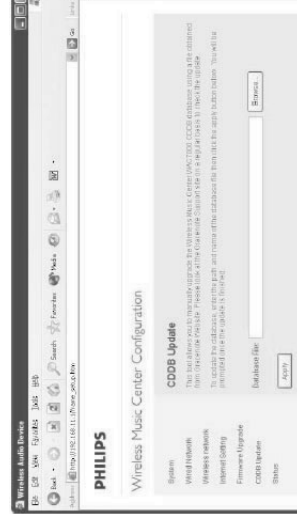
#### 2. Launch the WADM



3. Click the "Device configuration" button to start

→ The IE browser is launched

4. Click to enter the "CD Database update" sub-menu
5. As prompted, click "Browse" and indicate the location where you kept the firmware upgrade files on PC



6. Click Apply to start updating CD Database
- Note: Do NOT power off the Audio Center at this stage.**

7. It takes around 15-20 mins to complete CDDB updating.

8. If the CDDB is updated successfully, the message "Update Finished" (depends on the language setting on the set) shows.

Note: If the message "Update Aborted" shows, the CDDB file you downloaded maybe corrupted. Please download the zip file again.

9. You can start the normal operation afterward.

4. The Audio Center starts update the Audio's embedded CDDB automatically. The message "Updating the Gracenote database" (depends on the language setting on the set) is shown on the display.

**Note: Do NOT power off the Audio Center or eject the disc at this stage.**

5. It takes around 15-20 mins to complete CDDB updating.

6. If the CDDB is updated successfully, the message "Update Finished. Eject Disc" (depends on the language setting on the set) shows.

Note: If the message "Update Aborted. Eject Disc" shows, the CDDB file you downloaded maybe corrupted. Please download the zip file and burn the CD again.

7. Press eject button and then take out the disc.
8. You can start the normal operation afterward.

## B. Using WADM

### 1. How to download the CDDB to your computer

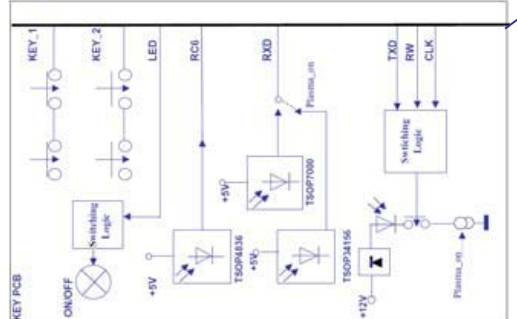
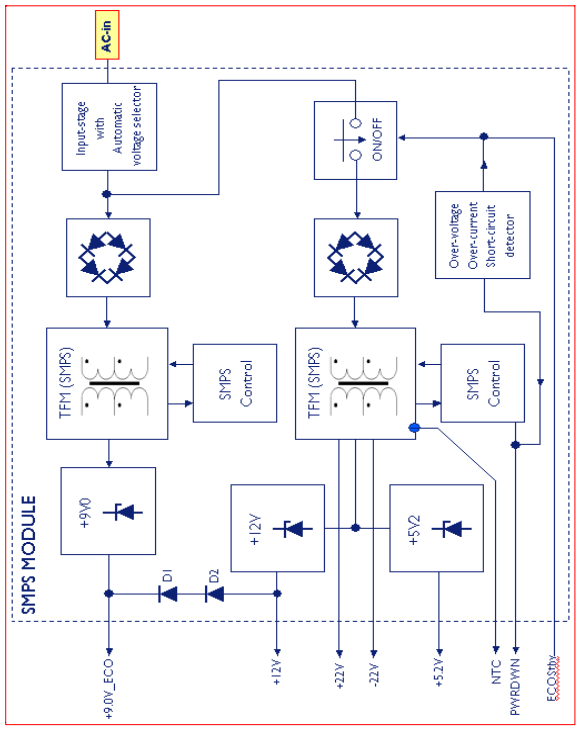
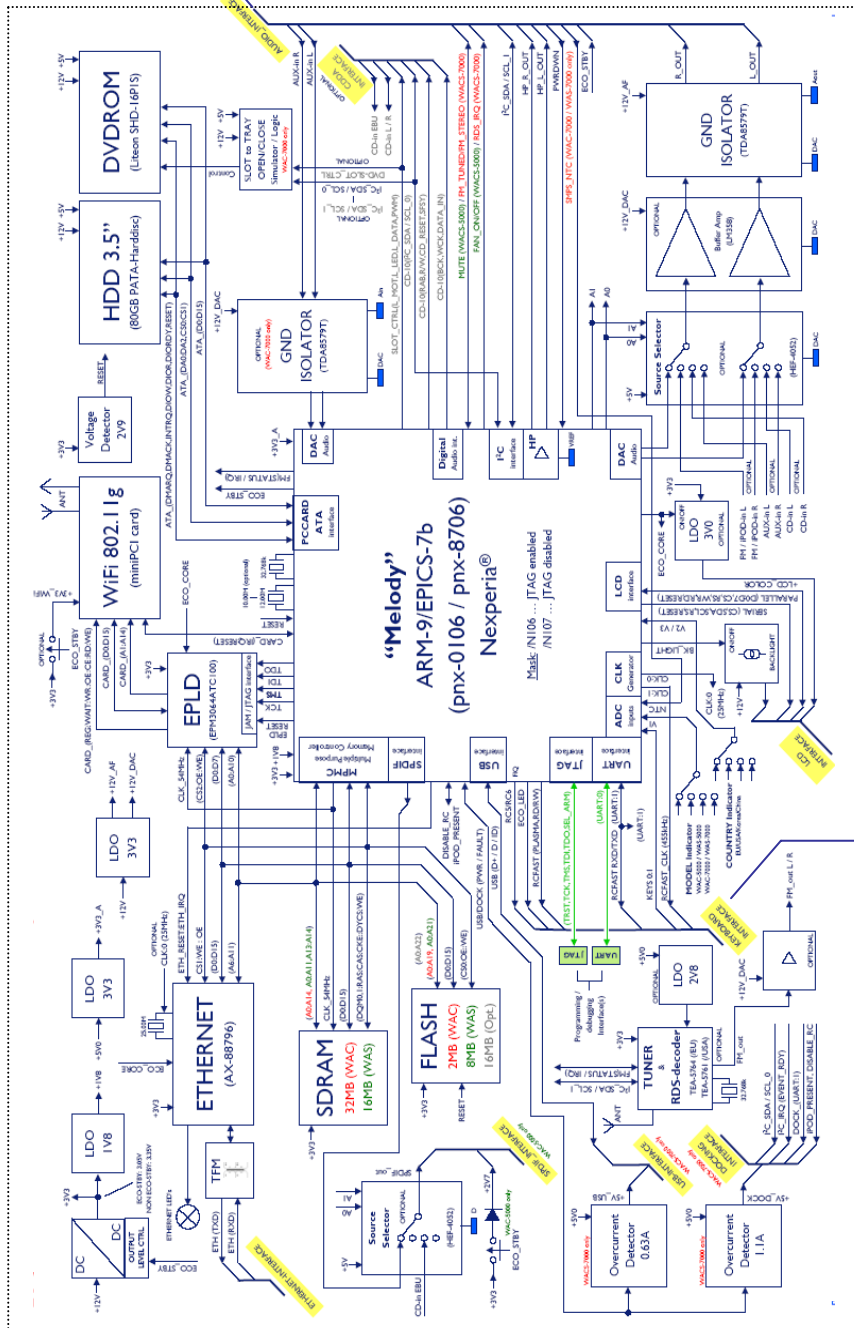
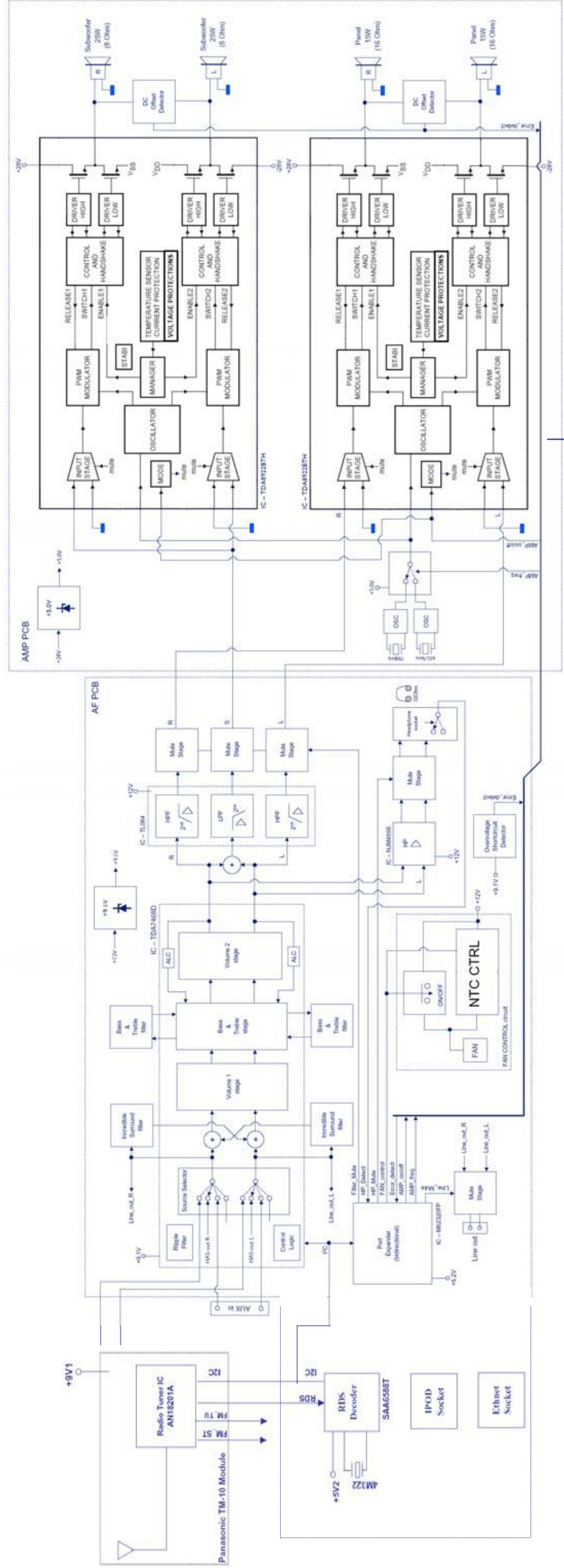
1. Register your Philips wireless audio product with [www.club.philips.com](http://www.club.philips.com)  
Download the CD Database update files and store them on your PC
2. Unzip the .zip file and extract files into your PC.

#### Note:

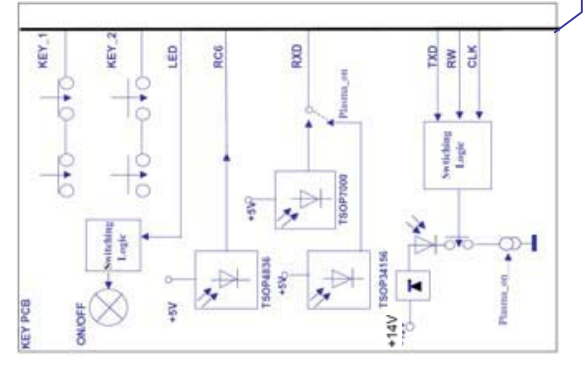
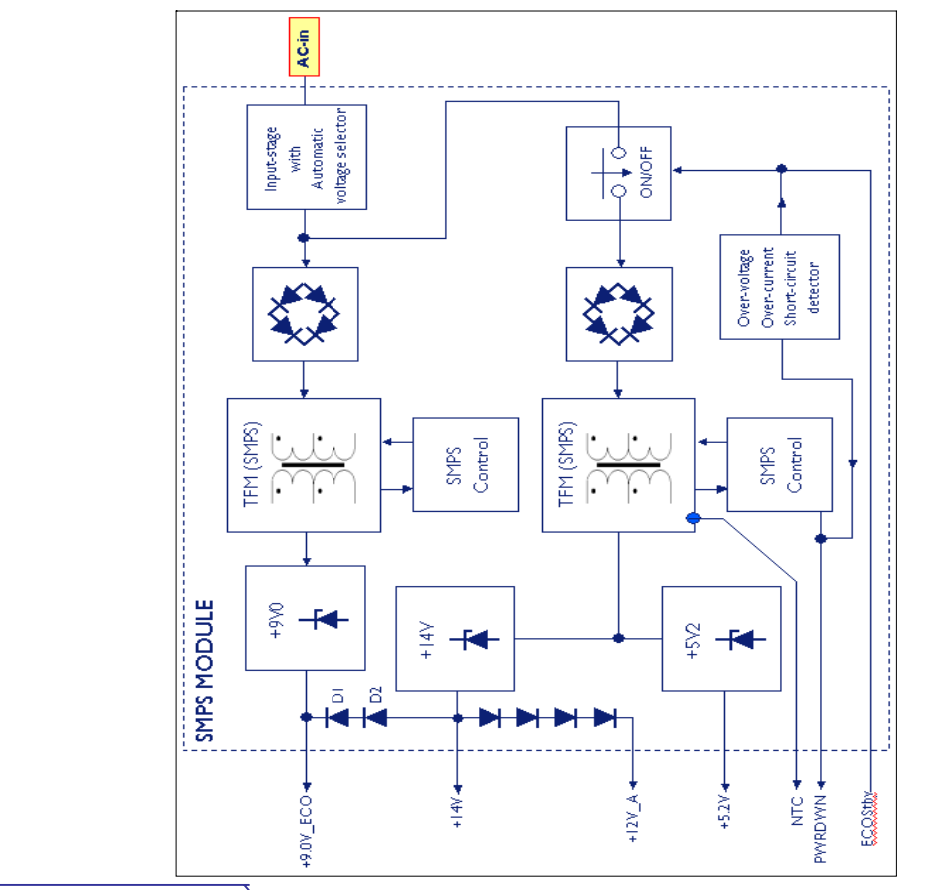
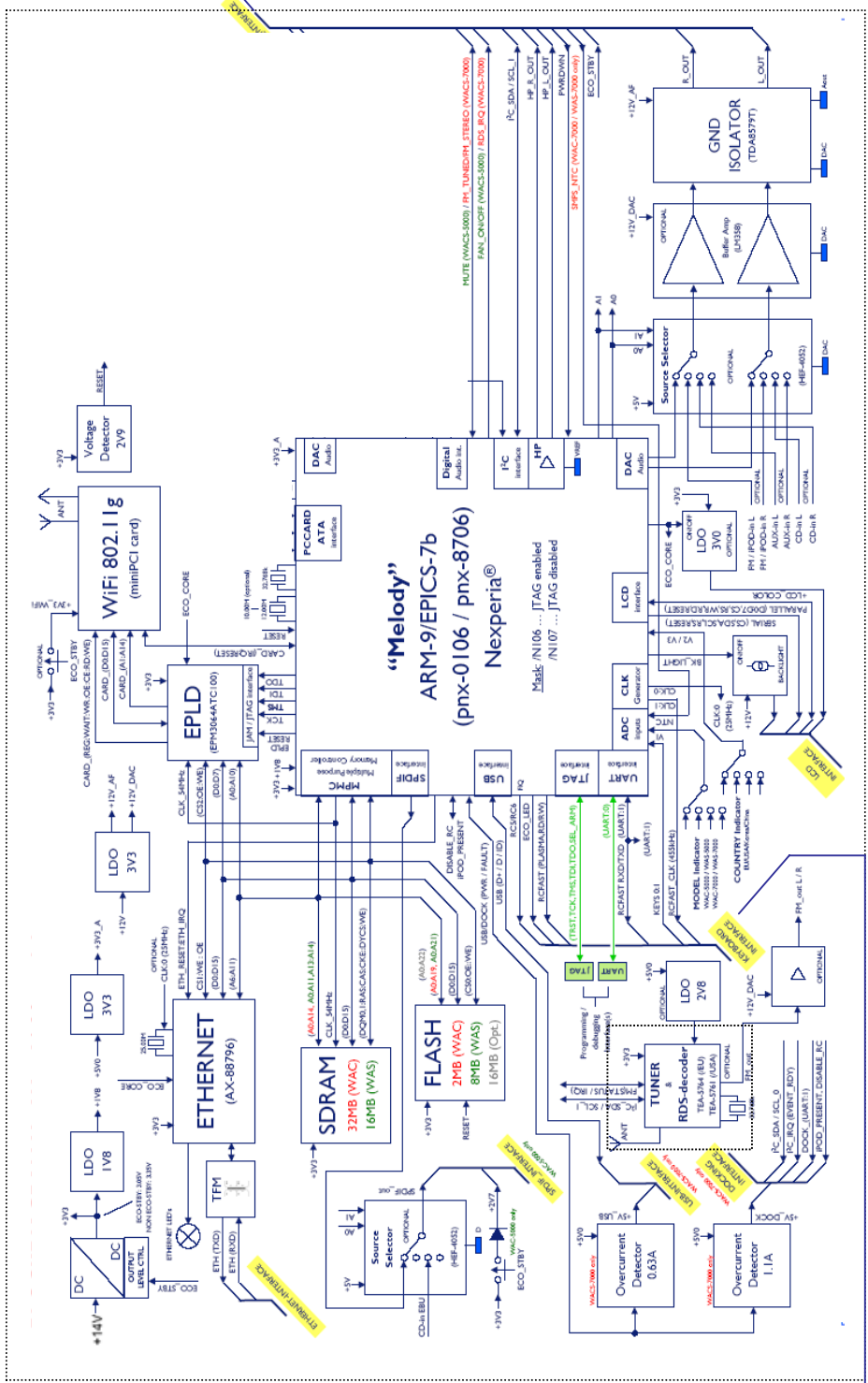
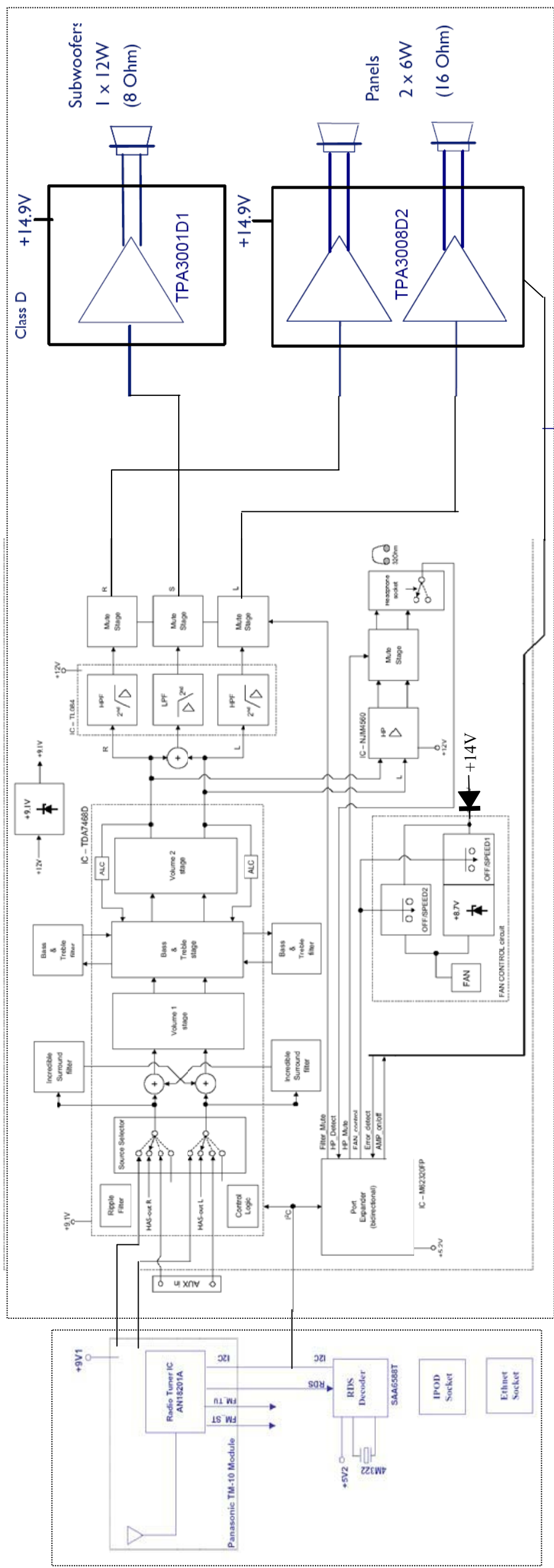
- Please do not rename the filename.
- If you do not have the software to open the .zip file, please visit below website to download the software.  
<http://www.winzip.com/>

### 2. Steps to update the Gracenote CDDB

SET BLOCK DIAGRAM(waC7000)

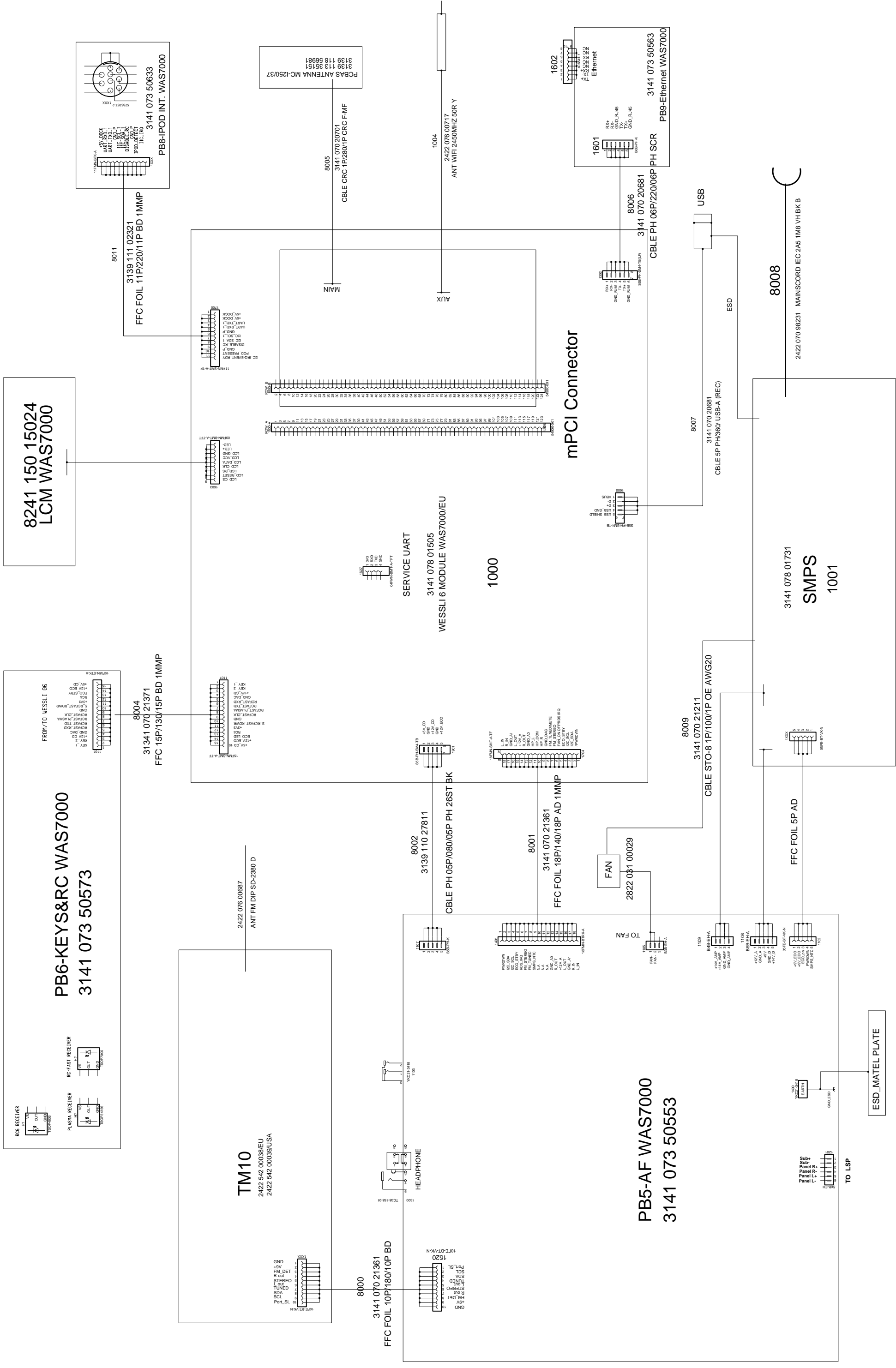


SET BLOCK DIAGRAM(waS7000)





SET WIRING DIAGRAM(waS7000)



TM10

2422 542 00038EU  
2422 542 00039/USA

2422 076 00687

ANT FM DIP SD-2380 D

PB6-KEYS&RC WAS7000  
3141 073 50573

FROM I/O WESSLI 06

RCG RECEIVER  
RC-FAST RECEIVER

8241 150 15024  
LCM WAS7000

3139 111 02321  
FFC FOIL 11P/220/1P BD 1MMP

PB8-IPOD INT. WAS7000  
3141 073 50633

8004  
31341 070 21371  
FFC 15P/130/15P BD 1MMP

8000  
3141 070 21361  
FFC FOIL 10P/180/10P BD

HEADPHONE

1520

TO LSP

ESD\_MATEL\_PLATE

ESD

3141 078 01731  
SMPS  
1001

3141 070 21211  
CBLE STO-8 1P/100/1P OE AWG20

8009

8007  
3141 070 20681  
CBLE 5P PH/360 USB-A (REC)

8008  
2422 070 98231 MAINSCORD IEC 2A5 1M8 VH BK B

3141 070 20681  
CBLE PH 06P/220/06P PH SCR  
3141 073 50563  
PB9-Ethernet WAS7000

1601

1602

Ethernet

ANT WIFI 2450MHZ 50R Y  
2422 076 00717

1004

8005  
3141 070 20701  
CBLE CRC-1P/280/1P CRC F-MF

3141 070 20701  
CBLE CRC-1P/280/1P CRC F-MF

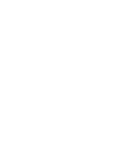
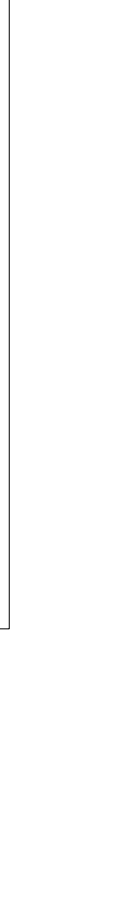
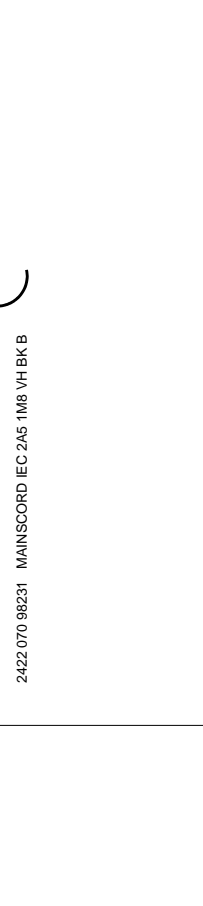
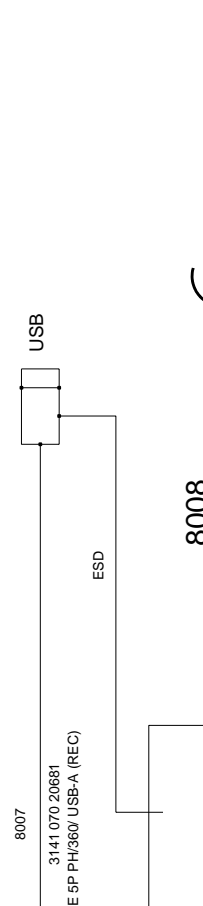
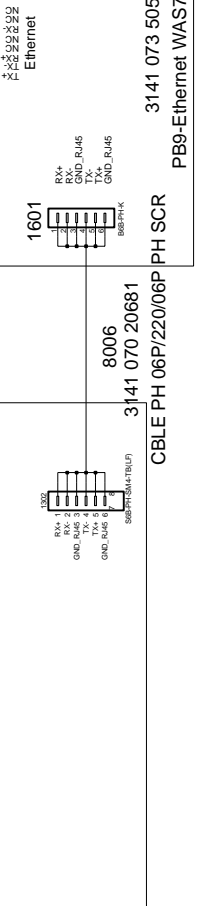
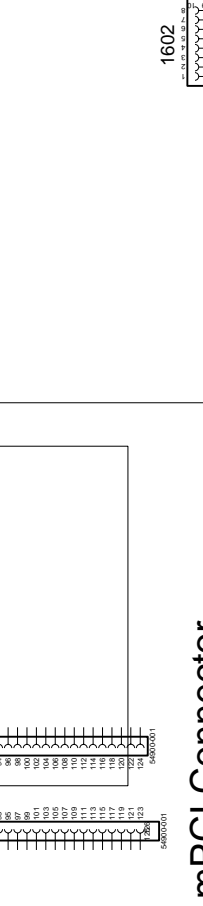
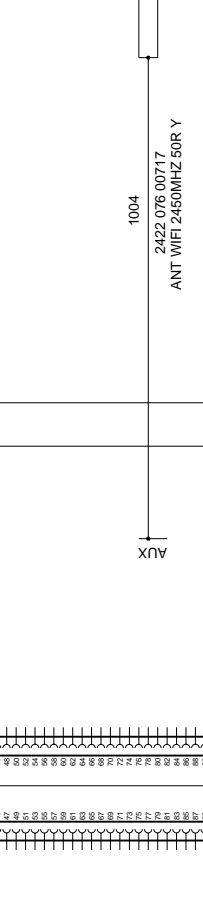
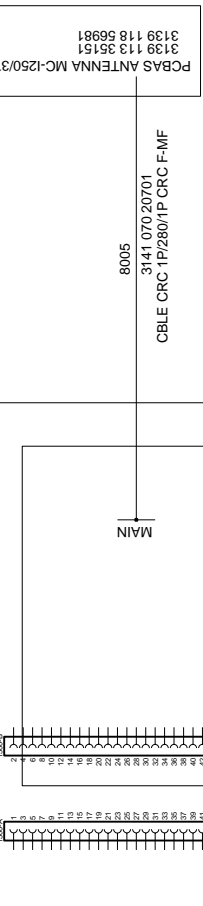
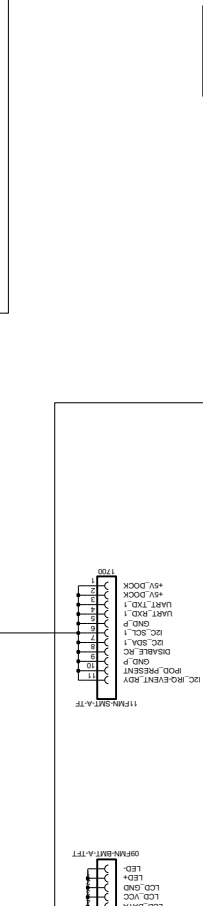
3139 118 66981  
PCBAS ANTENNA MC-1250/37

MAIN

AUX

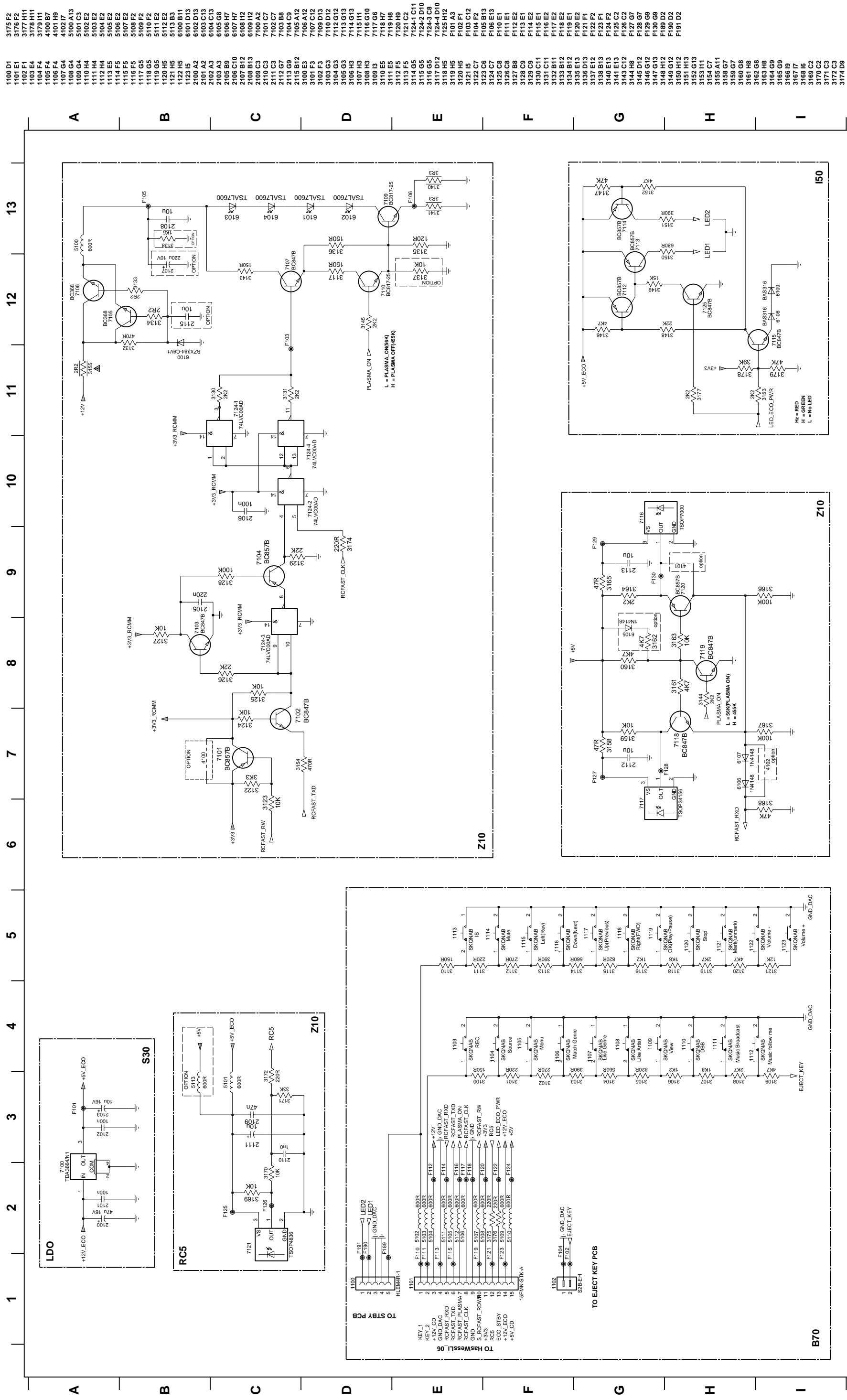
3141 078 01505  
WESSLI 6 MODULE WAS7000/EU  
1000

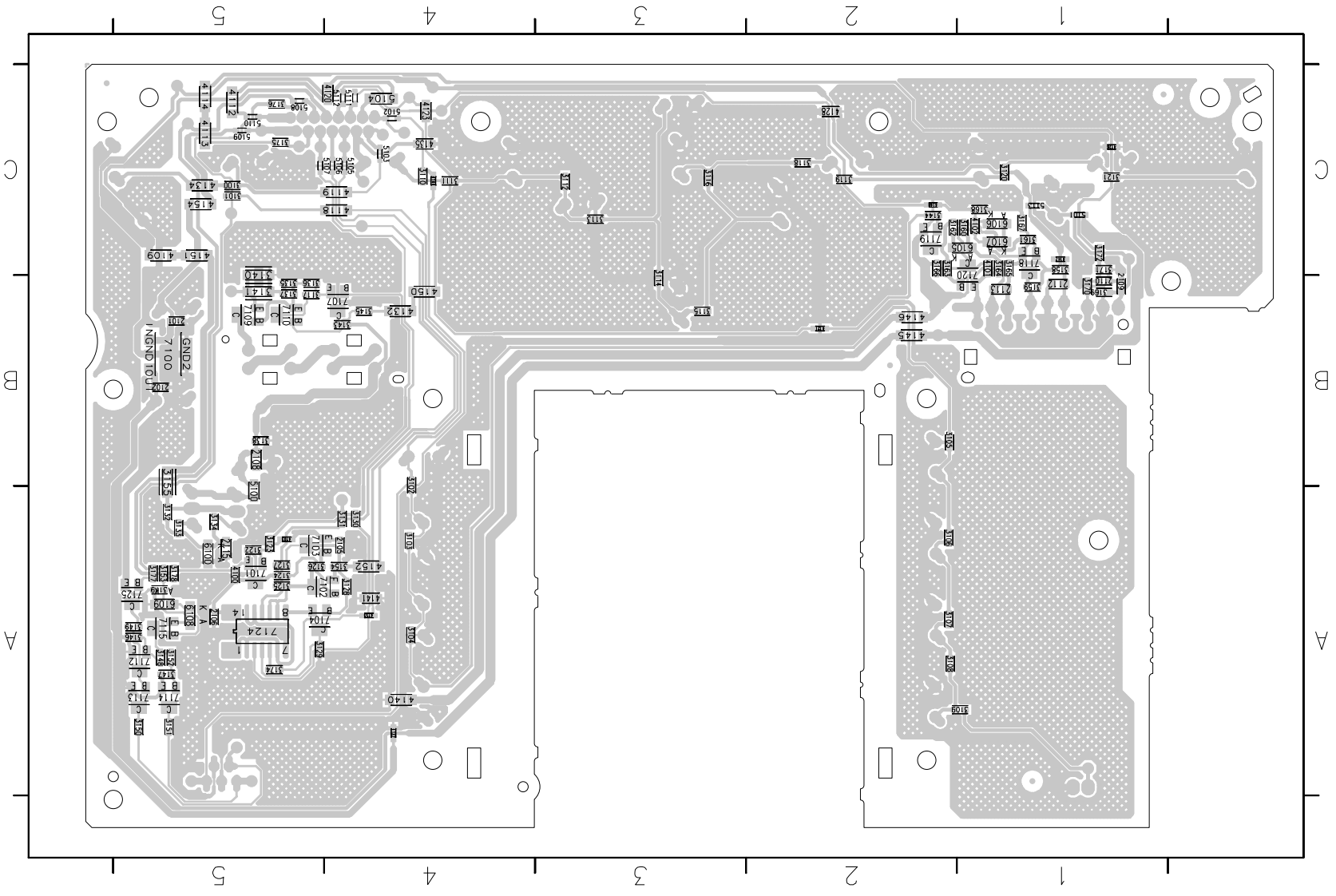
SERVICE UART



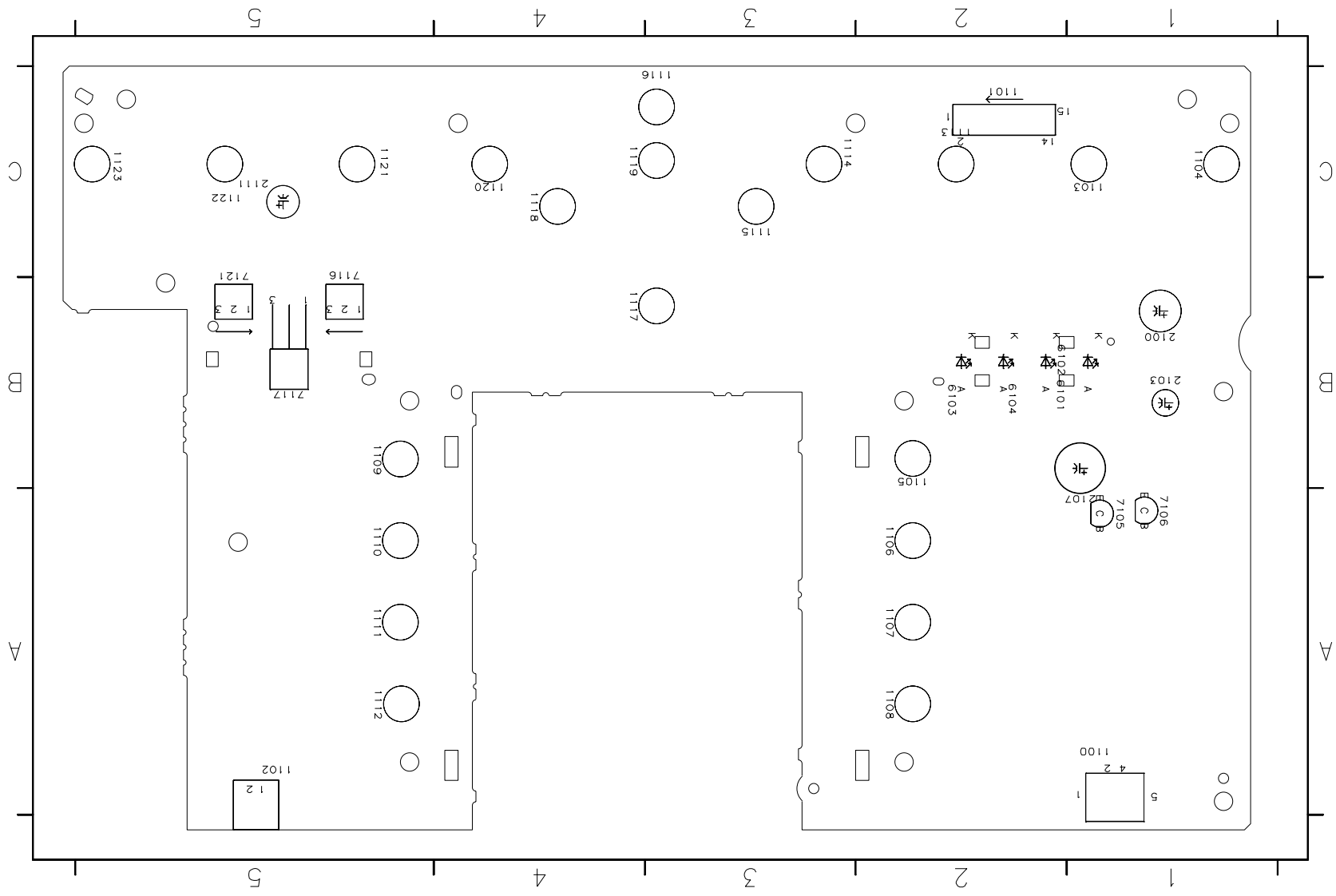
KEY COMBINE PANEL - KEY & RC BOARD(waC7000)

KEYS/ RC BOARD - Circuit Diagram





SIDE B

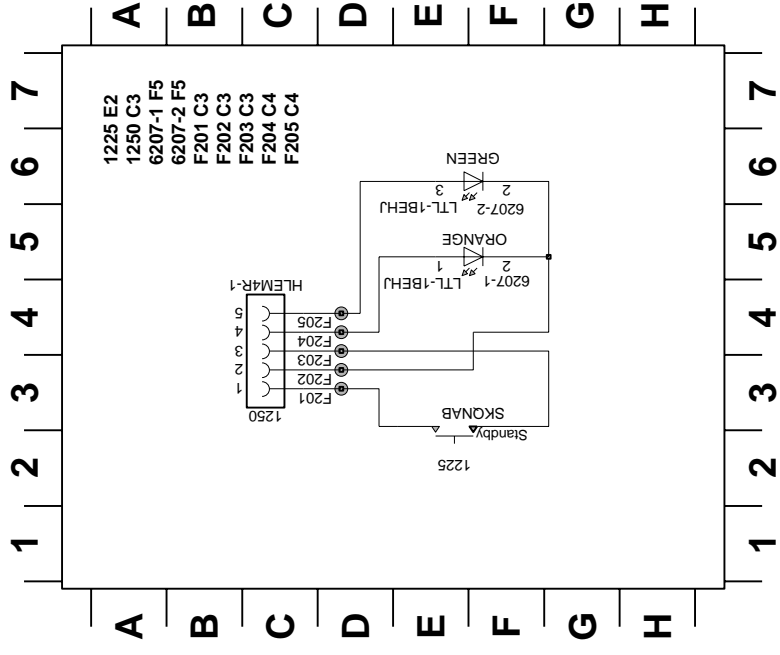


SIDE A

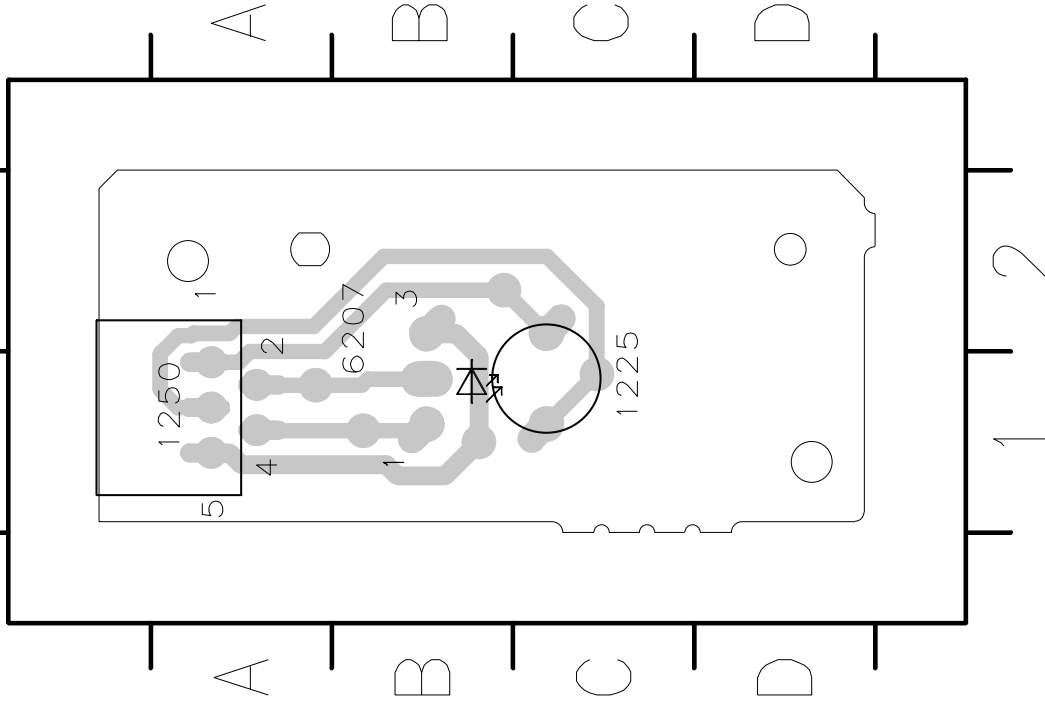


STANDBY KEY BOARD & EJECT KEY BOARD (waC7000)

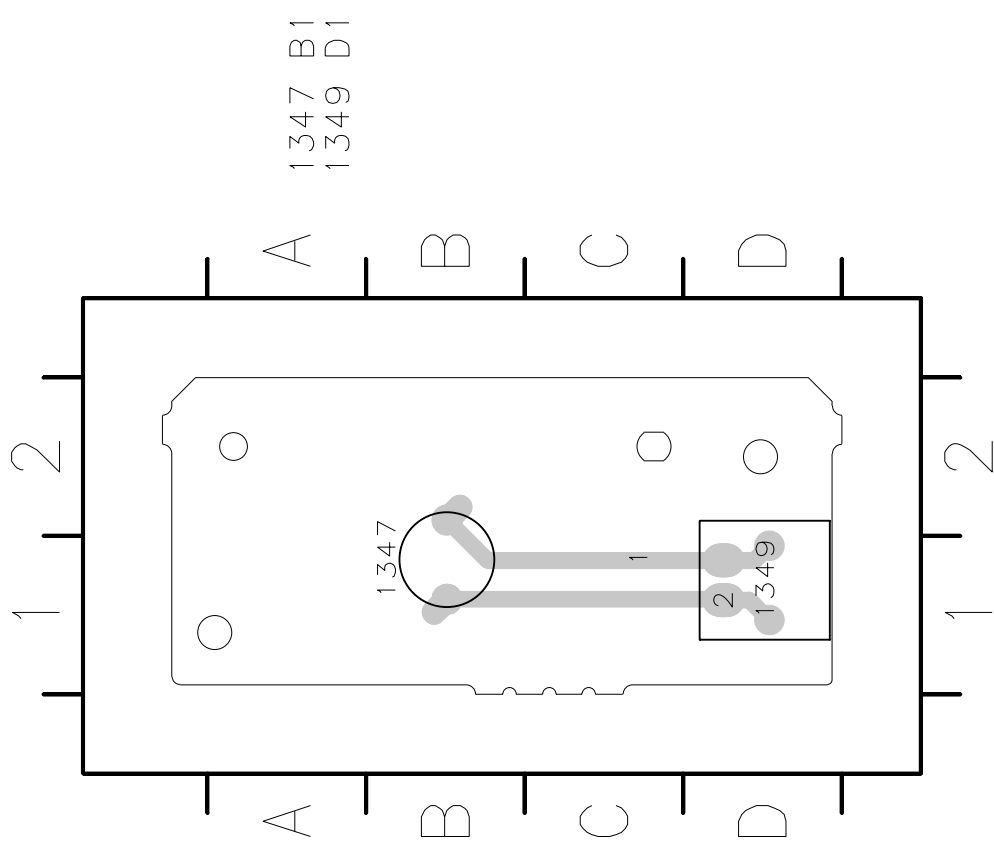
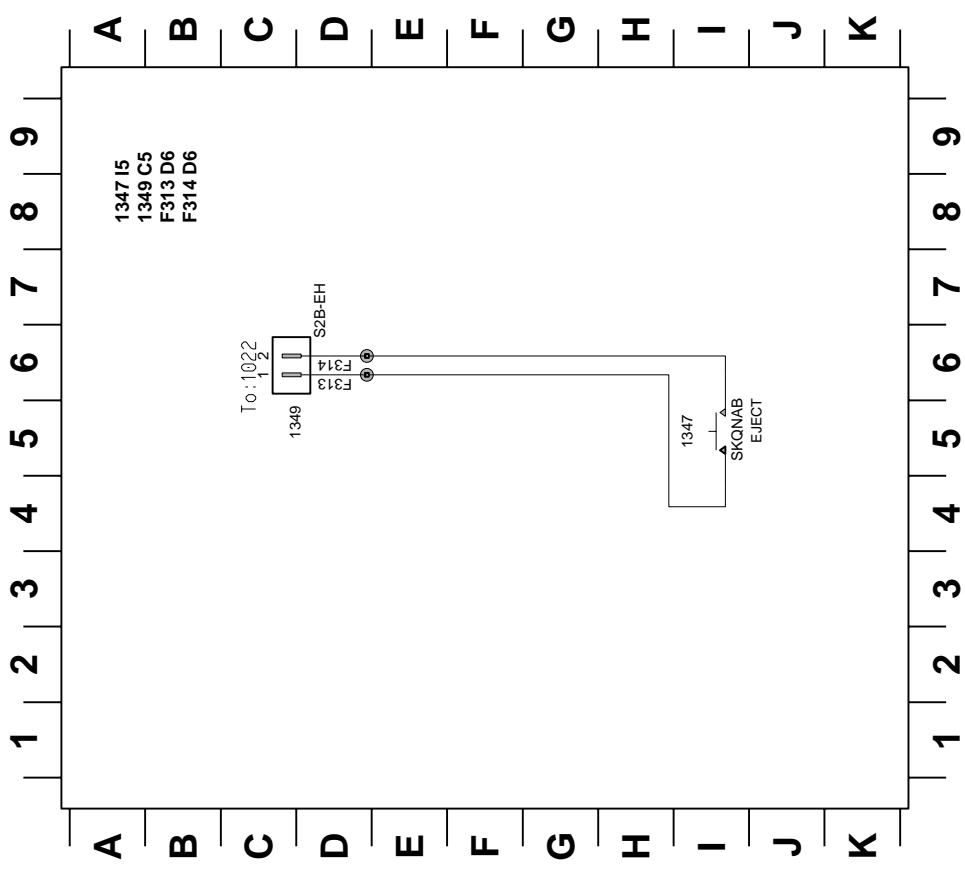
STANDBY KEY BOARD



- 1225 C1
- 1250 A1
- 6207 B2

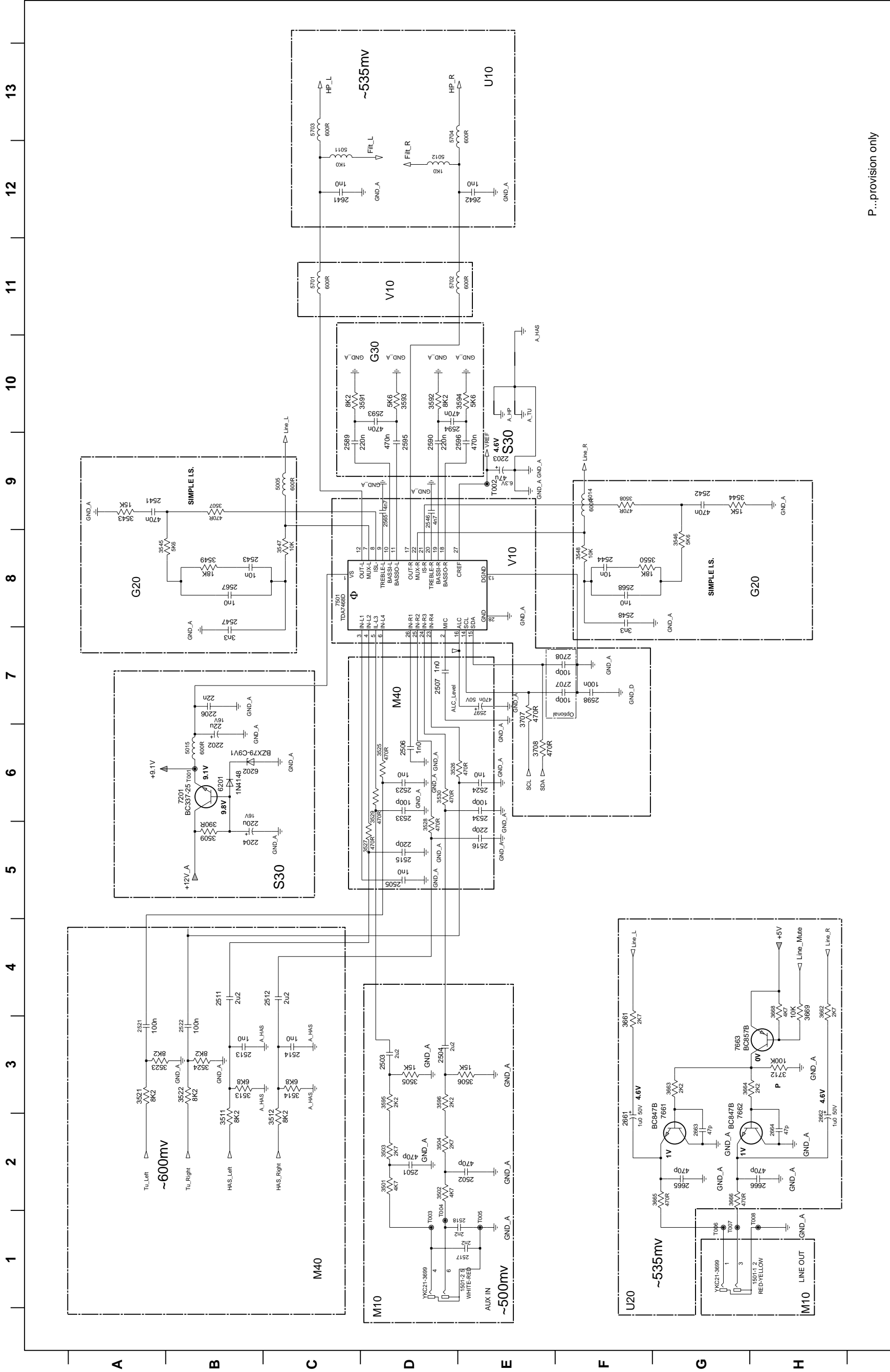


EJECT KEY BOARD



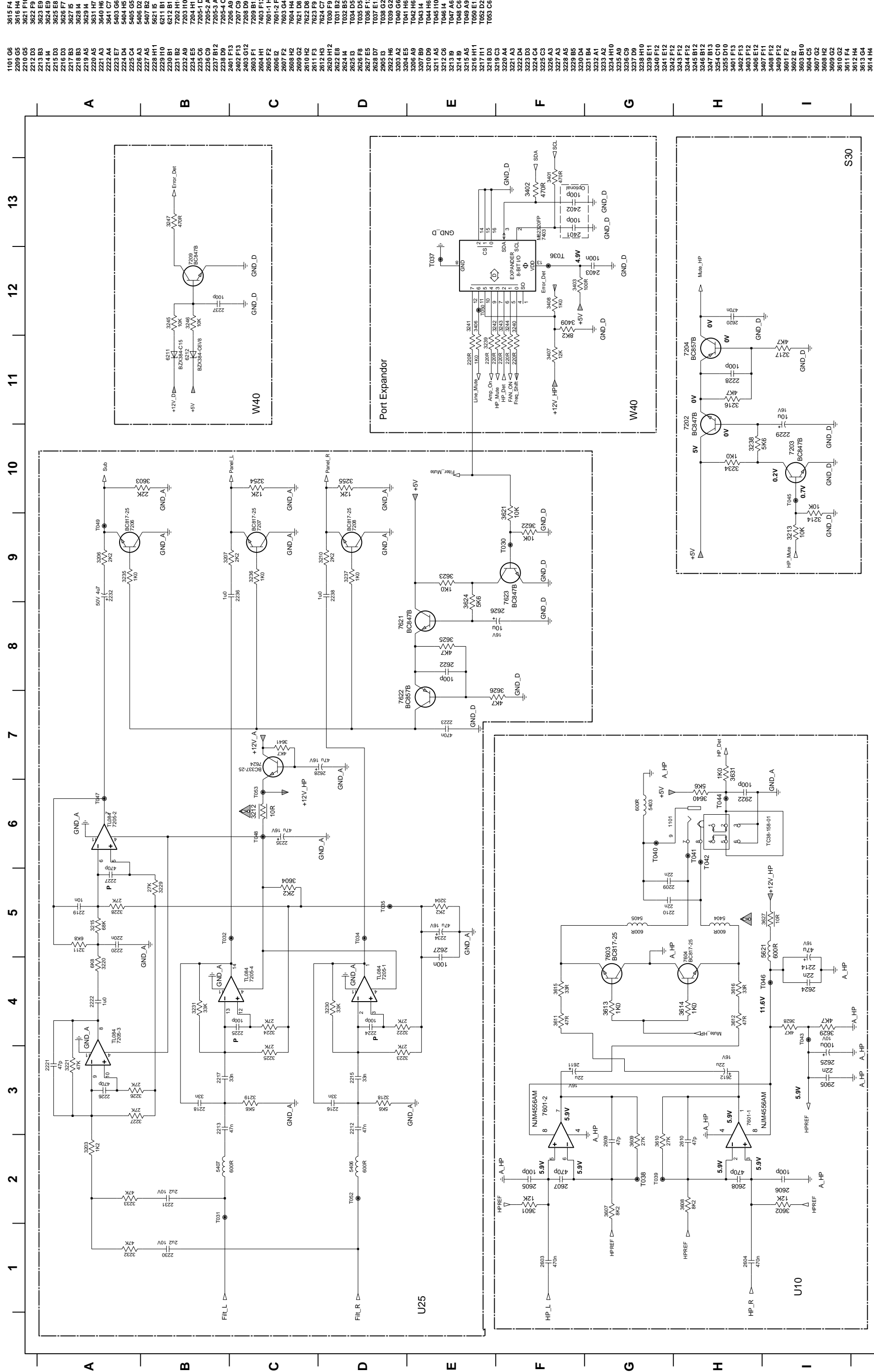
PB5 - AF BOARD - Circuit Diagram ( Part1 )(waC7000)

5014 F9  
 5015 B6  
 5701 C11  
 5702 D11  
 5703 C13  
 5704 D13  
 6201 B6  
 6202 E2  
 7201 B6  
 7501 C8  
 7661 G3  
 7662 G3  
 7663 G3  
 7664 G3  
 7665 G3  
 7666 G3  
 7667 G3  
 7668 G3  
 7669 G3  
 7670 G3  
 7671 G3  
 7672 G3  
 7673 G3  
 7674 G3  
 7675 G3  
 7676 G3  
 7677 G3  
 7678 G3  
 7679 G3  
 7680 G3  
 7681 G3  
 7682 G3  
 7683 G3  
 7684 G3  
 7685 G3  
 7686 G3  
 7687 G3  
 7688 G3  
 7689 G3  
 7690 G3  
 7691 G3  
 7692 G3  
 7693 G3  
 7694 G3  
 7695 G3  
 7696 G3  
 7697 G3  
 7698 G3  
 7699 G3  
 7700 G3  
 7701 G3  
 7702 G3  
 7703 G3  
 7704 G3  
 7705 G3  
 7706 G3  
 7707 G3  
 7708 G3  
 7709 G3  
 7710 G3  
 7711 G3  
 7712 G3  
 7713 G3  
 7714 G3  
 7715 G3  
 7716 G3  
 7717 G3  
 7718 G3  
 7719 G3  
 7720 G3  
 7721 G3  
 7722 G3  
 7723 G3  
 7724 G3  
 7725 G3  
 7726 G3  
 7727 G3  
 7728 G3  
 7729 G3  
 7730 G3  
 7731 G3  
 7732 G3  
 7733 G3  
 7734 G3  
 7735 G3  
 7736 G3  
 7737 G3  
 7738 G3  
 7739 G3  
 7740 G3  
 7741 G3  
 7742 G3  
 7743 G3  
 7744 G3  
 7745 G3  
 7746 G3  
 7747 G3  
 7748 G3  
 7749 G3  
 7750 G3  
 7751 G3  
 7752 G3  
 7753 G3  
 7754 G3  
 7755 G3  
 7756 G3  
 7757 G3  
 7758 G3  
 7759 G3  
 7760 G3  
 7761 G3  
 7762 G3  
 7763 G3  
 7764 G3  
 7765 G3  
 7766 G3  
 7767 G3  
 7768 G3  
 7769 G3  
 7770 G3  
 7771 G3  
 7772 G3  
 7773 G3  
 7774 G3  
 7775 G3  
 7776 G3  
 7777 G3  
 7778 G3  
 7779 G3  
 7780 G3  
 7781 G3  
 7782 G3  
 7783 G3  
 7784 G3  
 7785 G3  
 7786 G3  
 7787 G3  
 7788 G3  
 7789 G3  
 7790 G3  
 7791 G3  
 7792 G3  
 7793 G3  
 7794 G3  
 7795 G3  
 7796 G3  
 7797 G3  
 7798 G3  
 7799 G3  
 7800 G3  
 7801 G3  
 7802 G3  
 7803 G3  
 7804 G3  
 7805 G3  
 7806 G3  
 7807 G3  
 7808 G3  
 7809 G3  
 7810 G3  
 7811 G3  
 7812 G3  
 7813 G3  
 7814 G3  
 7815 G3  
 7816 G3  
 7817 G3  
 7818 G3  
 7819 G3  
 7820 G3  
 7821 G3  
 7822 G3  
 7823 G3  
 7824 G3  
 7825 G3  
 7826 G3  
 7827 G3  
 7828 G3  
 7829 G3  
 7830 G3  
 7831 G3  
 7832 G3  
 7833 G3  
 7834 G3  
 7835 G3  
 7836 G3  
 7837 G3  
 7838 G3  
 7839 G3  
 7840 G3  
 7841 G3  
 7842 G3  
 7843 G3  
 7844 G3  
 7845 G3  
 7846 G3  
 7847 G3  
 7848 G3  
 7849 G3  
 7850 G3  
 7851 G3  
 7852 G3  
 7853 G3  
 7854 G3  
 7855 G3  
 7856 G3  
 7857 G3  
 7858 G3  
 7859 G3  
 7860 G3  
 7861 G3  
 7862 G3  
 7863 G3  
 7864 G3  
 7865 G3  
 7866 G3  
 7867 G3  
 7868 G3  
 7869 G3  
 7870 G3  
 7871 G3  
 7872 G3  
 7873 G3  
 7874 G3  
 7875 G3  
 7876 G3  
 7877 G3  
 7878 G3  
 7879 G3  
 7880 G3  
 7881 G3  
 7882 G3  
 7883 G3  
 7884 G3  
 7885 G3  
 7886 G3  
 7887 G3  
 7888 G3  
 7889 G3  
 7890 G3  
 7891 G3  
 7892 G3  
 7893 G3  
 7894 G3  
 7895 G3  
 7896 G3  
 7897 G3  
 7898 G3  
 7899 G3  
 7900 G3  
 7901 G3  
 7902 G3  
 7903 G3  
 7904 G3  
 7905 G3  
 7906 G3  
 7907 G3  
 7908 G3  
 7909 G3  
 7910 G3  
 7911 G3  
 7912 G3  
 7913 G3  
 7914 G3  
 7915 G3  
 7916 G3  
 7917 G3  
 7918 G3  
 7919 G3  
 7920 G3  
 7921 G3  
 7922 G3  
 7923 G3  
 7924 G3  
 7925 G3  
 7926 G3  
 7927 G3  
 7928 G3  
 7929 G3  
 7930 G3  
 7931 G3  
 7932 G3  
 7933 G3  
 7934 G3  
 7935 G3  
 7936 G3  
 7937 G3  
 7938 G3  
 7939 G3  
 7940 G3  
 7941 G3  
 7942 G3  
 7943 G3  
 7944 G3  
 7945 G3  
 7946 G3  
 7947 G3  
 7948 G3  
 7949 G3  
 7950 G3  
 7951 G3  
 7952 G3  
 7953 G3  
 7954 G3  
 7955 G3  
 7956 G3  
 7957 G3  
 7958 G3  
 7959 G3  
 7960 G3  
 7961 G3  
 7962 G3  
 7963 G3  
 7964 G3  
 7965 G3  
 7966 G3  
 7967 G3  
 7968 G3  
 7969 G3  
 7970 G3  
 7971 G3  
 7972 G3  
 7973 G3  
 7974 G3  
 7975 G3  
 7976 G3  
 7977 G3  
 7978 G3  
 7979 G3  
 7980 G3  
 7981 G3  
 7982 G3  
 7983 G3  
 7984 G3  
 7985 G3  
 7986 G3  
 7987 G3  
 7988 G3  
 7989 G3  
 7990 G3  
 7991 G3  
 7992 G3  
 7993 G3  
 7994 G3  
 7995 G3  
 7996 G3  
 7997 G3  
 7998 G3  
 7999 G3  
 8000 G3

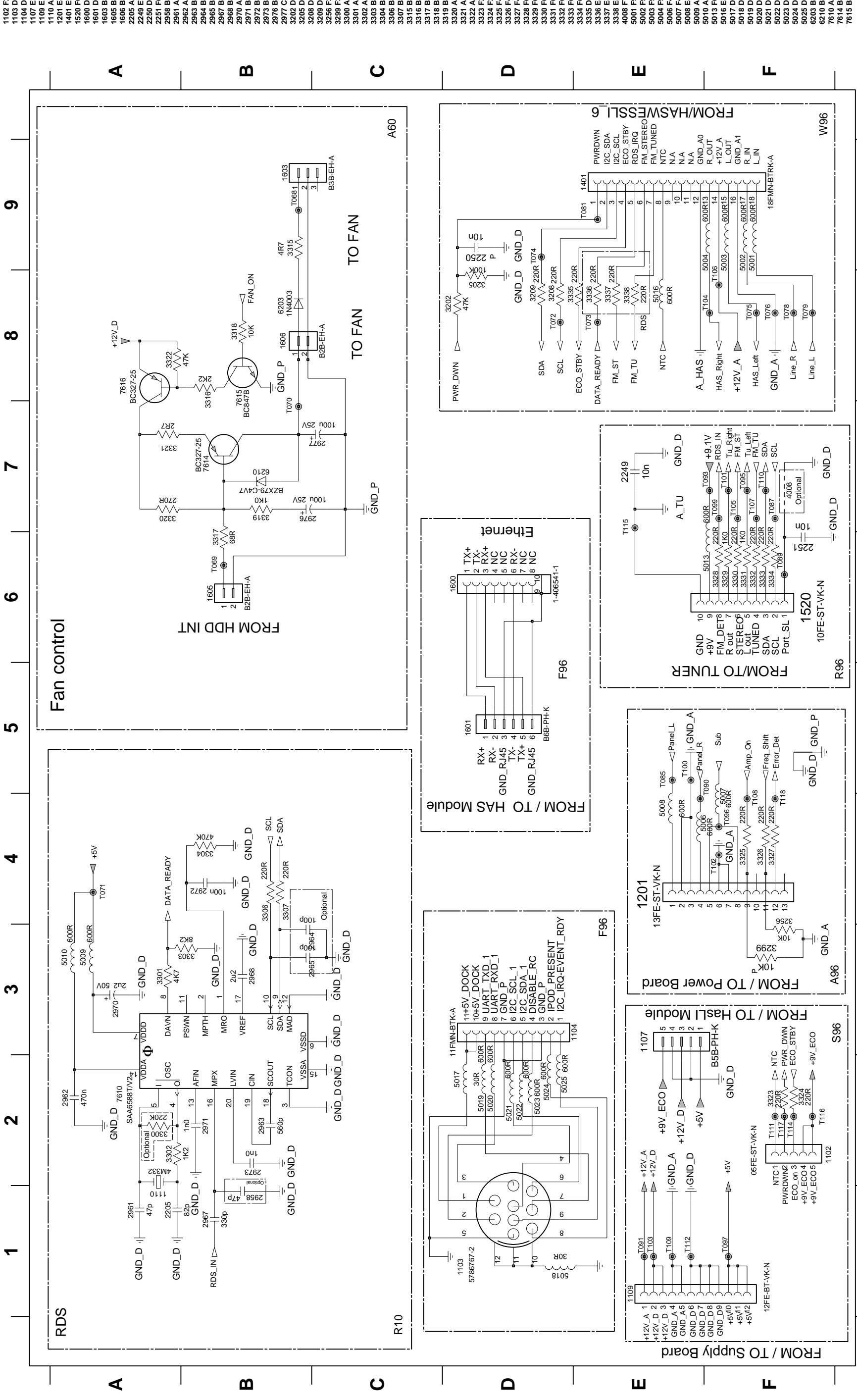


P...provision only

PB5 - AF BOARD - Circuit Diagram ( Part2 )(waC7000)

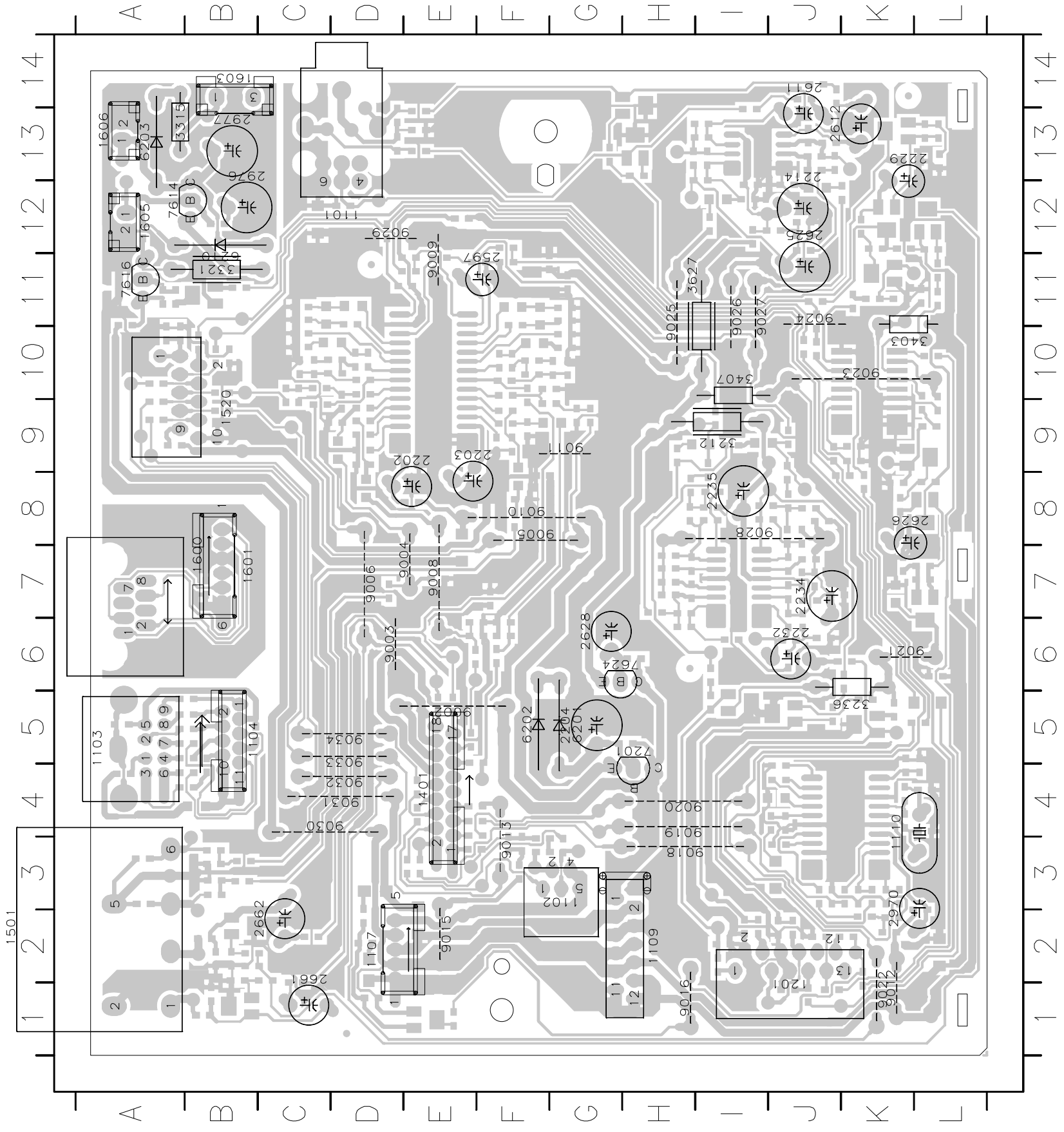


PB5 - AF BOARD - Circuit Diagram ( Part3 )(waC7000)



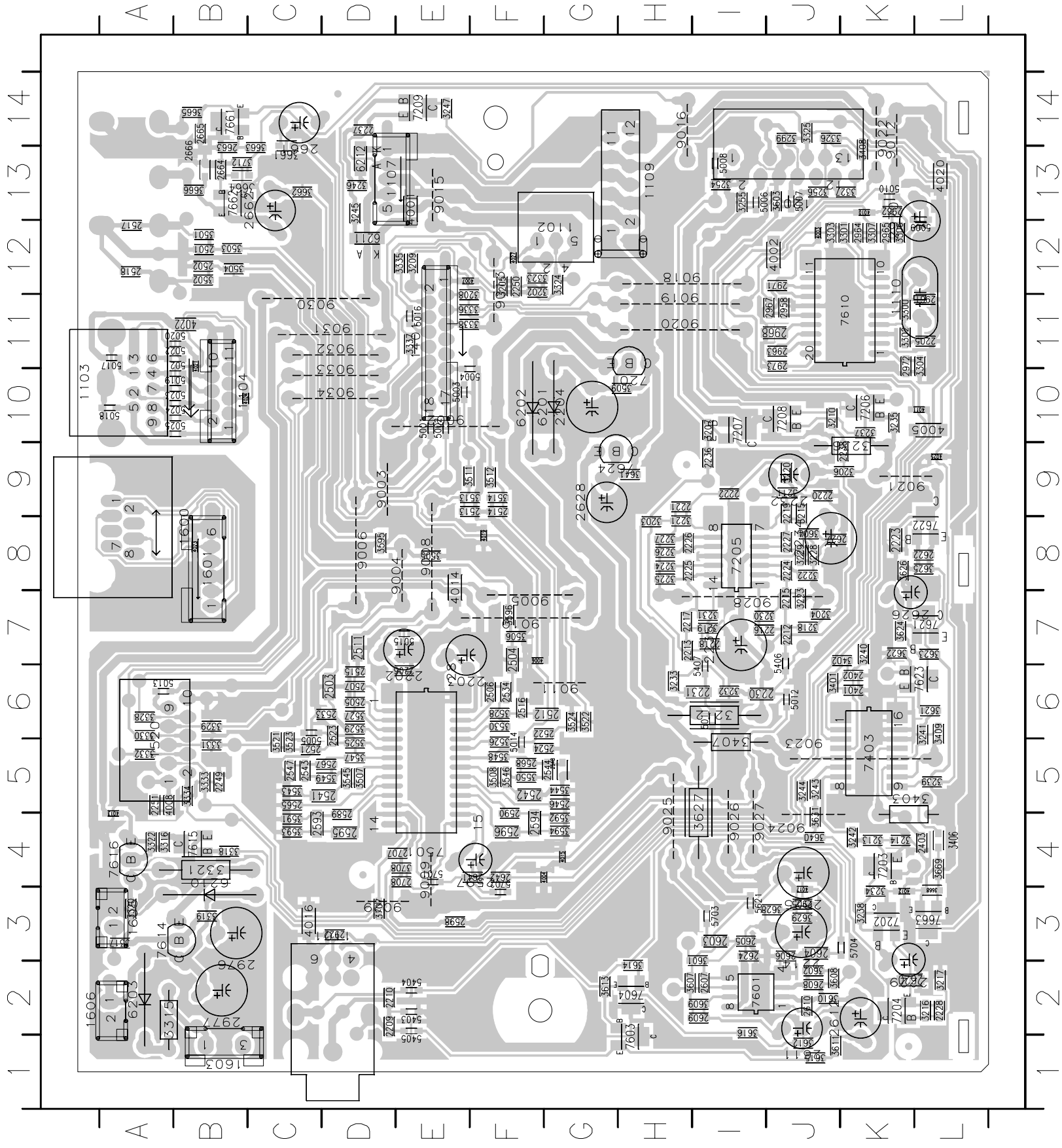
1102 F2  
1103 D1  
1104 D3  
1107 E3  
1108 E1  
1110 A1  
1201 E4  
1401 E9  
1520 F6  
1600 D6  
1601 D5  
1603 B9  
1605 B6  
1606 B8  
2205 A1  
2249 E7  
2250 D9  
2251 F6  
2958 B1  
2961 A1  
2962 A2  
2963 B2  
2964 B3  
2965 B3  
2967 B1  
2968 B3  
2970 A3  
2971 B2  
2972 B4  
2973 B2  
2976 B7  
2977 C7  
3202 D8  
3205 D8  
3208 D8  
3209 D8  
3299 F3  
3300 A2  
3301 A3  
3302 A2  
3303 B3  
3304 B4  
3306 B4  
3307 B4  
3315 B9  
3316 B8  
3317 B6  
3318 B8  
3319 B7  
3320 A7  
3321 A7  
3322 A8  
3323 F2  
3324 F2  
3325 F4  
3326 F4  
3327 F4  
3328 F6  
3329 F6  
3330 F6  
3331 F6  
3332 F6  
3333 F6  
3334 F6  
3335 D6  
3336 E8  
3337 E8  
3338 E8  
4008 F7  
5001 F9  
5002 F9  
5003 F9  
5004 F9  
5006 F4  
5007 F4  
5008 E4  
5009 A3  
5010 A3  
5013 F6  
5016 E8  
5018 D2  
5019 D2  
5020 D2  
5021 D2  
5022 D2  
5023 D2  
5024 D2  
5025 D2  
6203 B8  
6210 B7  
7610 A2  
7614 B7  
7615 B8

PB5 - AF BOARD - Layout Diagram ( SideA )(waC7000)



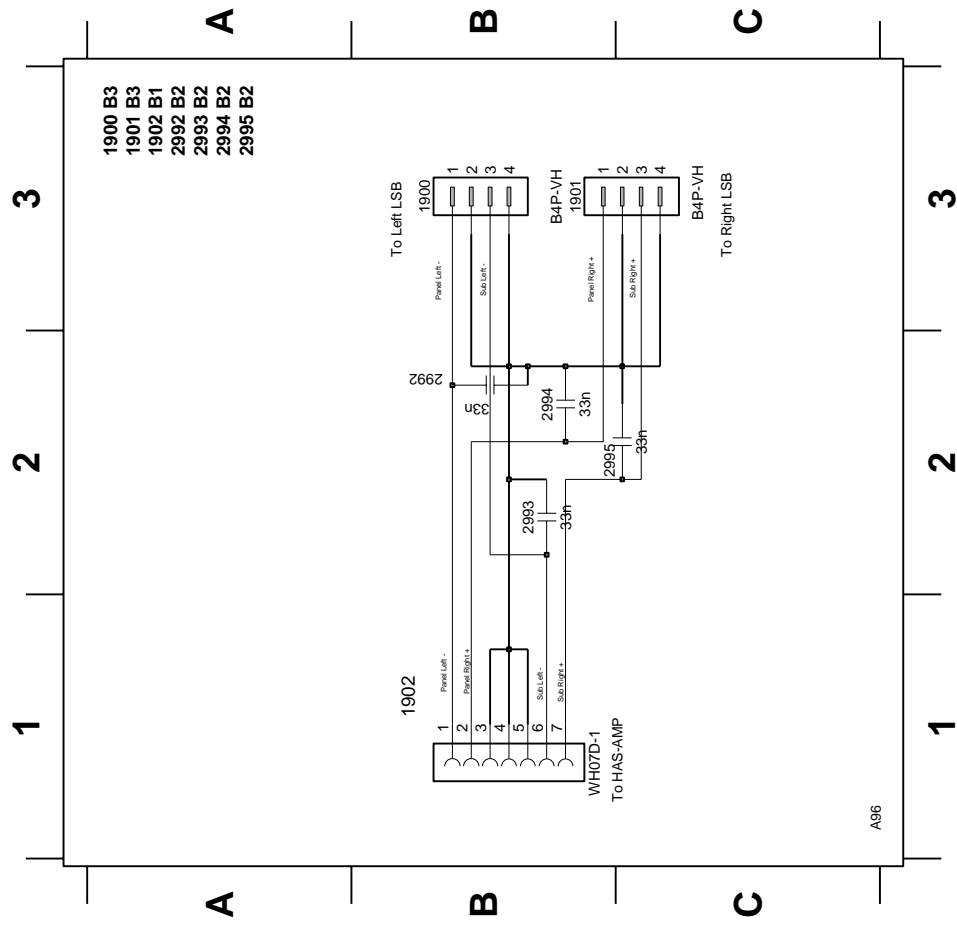
1101	D12
1102	G3
1103	A5
1104	B5
1107	D2
1109	H2
1110	K4
1201	J1
1401	E4
1520	B9
1600	B7
1601	B7
1603	B14
1605	A12
1606	A13
2202	E9
2203	E9
2204	G5
2214	J13
2229	K13
2232	J6
2234	J7
2235	I8
2597	F11
2611	J14
2612	J13
2625	J12
2626	K8
2628	G6
2661	C2
2662	C2
2970	K3
2976	B13
2977	B13
3212	I9
3236	K5
3315	A13
3321	B11
3403	K10
3407	I10
3627	H11
6201	G5
6202	F5
6203	A13
6210	B11
7201	H5
7614	A12
7616	A11
7624	G6
9002	E5
9003	D6
9004	E7
9005	F8
9006	D7
9008	E7
9009	E11
9010	F8
9011	G9
9012	K1
9013	F3
9015	E2
9016	H1
9018	H3
9019	H4
9020	H4
9021	K6
9022	K1
9023	K10
9024	J11
9025	H11
9026	I11
9027	I11
9028	I8
9029	D12
9030	C4
9031	D4
9032	D4
9033	D5
9034	D5

PB5 - AF BOARD - Layout Diagram ( SideB )(waC7000)

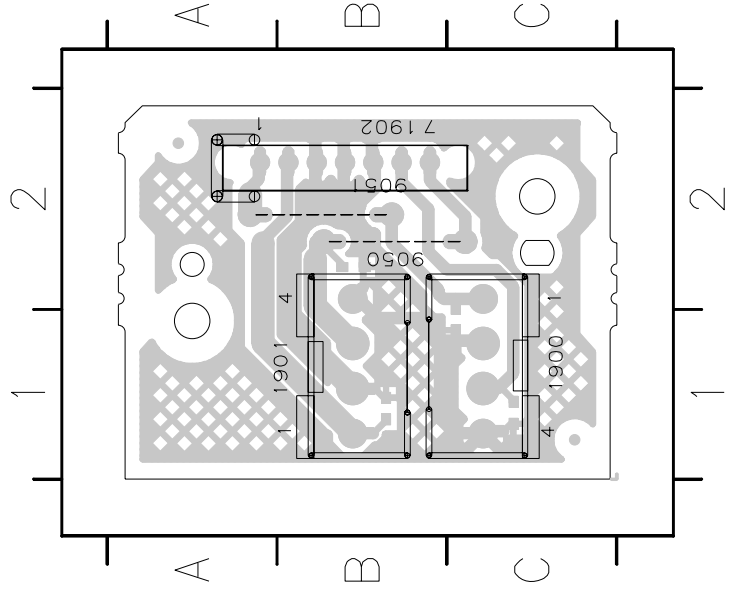


2205	L11	2568	F5	3223	J7	3409	L6	3640	J4	5025	B10
2206	E6	2589	D4	3224	H8	3501	B12	3641	H9	5403	E2
2209	D2	2590	F4	3225	H8	3502	B12	3661	C13	5404	E2
2210	D2	2593	C4	3226	H8	3503	B12	3662	C13	5405	E1
2212	J7	2594	F4	3227	H8	3504	B12	3663	C13	5406	J7
2213	H7	2595	D4	3228	J8	3505	E8	3664	B13	5407	I6
2215	J7	2596	F4	3229	J8	3506	F7	3665	B14	5621	I3
2216	I7	2598	E3	3230	I7	3507	D5	3666	B13	5701	E4
2217	H7	2603	I3	3231	I7	3508	F5	3668	L3	5702	F4
2218	I7	2604	J3	3232	I6	3509	H10	3669	L4	5703	I3
2219	J9	2605	I3	3233	H6	3511	E9	3707	D3	5704	K3
2220	J9	2606	J3	3234	K3	3512	F9	3708	E4	6211	D12
2221	H9	2607	J2	3235	K10	3513	E9	3712	B13	6211	D13
2222	I9	2608	J2	3237	K10	3514	F9	4001	E13	7202	K3
2223	K8	2609	I2	3238	K3	3521	C5	4002	J12	7203	K4
2224	H8	2610	J2	3239	L5	3522	G6	4003	J12	7204	K2
2225	H8	2620	K2	3240	K7	3523	C5	4004	F4	7205	I8
2226	H8	2622	L8	3241	L6	3524	G6	4005	L10	7206	K10
2227	J8	2624	I3	3242	K4	3525	D5	4006	F7	7207	I10
2228	L2	2627	J8	3243	J5	3526	F5	4007	E12	7208	J10
2230	I6	2641	F4	3244	J5	3527	D6	4008	A5	7209	E14
2231	I6	2642	F4	3245	D13	3528	F6	4010	K13	7403	K5
2236	I9	2663	B13	3246	D13	3529	D6	4011	L10	7501	E4
2237	D14	2664	B13	3247	E14	3530	F6	4012	K3	7601	I2
2238	K9	2665	B14	3254	I13	3533	C5	4013	A4	7603	H1
2249	B5	2666	B13	3255	I13	3544	G5	4014	E8	7604	H2
2250	F12	2707	E4	3256	J13	3545	D5	4015	G4	7610	K11
2251	A5	2708	E4	3299	J4	3546	F5	4016	C3	7615	B4
2401	K6	2905	J3	3300	K11	3547	D5	4017	J3	7621	L7
2402	K6	2922	D3	3301	K12	3548	F5	4019	F8	7622	L8
2403	L4	2958	J11	3302	K11	3549	D5	4020	L13	7623	L6
2501	B12	2961	L11	3303	J12	3550	F5	4021	B11	7661	B14
2502	B12	2962	K13	3304	L11	3591	C4	4022	B11	7662	B13
2503	D6	2963	J11	3306	K12	3592	G4	4023	B8	7663	L3
2504	F7	2964	K12	3307	K12	3593	C4	4024	B10		
2505	D6	2965	K12	3316	A4	3594	G4	4025	L9		
2506	F6	2967	J11	3317	A3	3595	D8	4027	F12		
2507	D6	2968	J11	3318	B4	3596	F7	5001	E10		
2511	D7	2971	J12	3319	B3	3601	I2	5002	E10		
2512	G6	2972	K11	3320	A3	3602	J2	5003	E10		
2513	E9	2973	J11	3322	A4	3603	J13	5004	E10		
2514	F9	3202	F12	3323	F12	3604	J8	5005	C5		
2515	D6	3203	H8	3324	G12	3607	H2	5006	I13		
2516	F6	3204	J7	3325	J14	3608	J2	5007	J13		
2517	A12	3205	F12	3326	J14	3609	I2	5008	I13		
2518	A12	3206	K9	3327	K13	3610	J2	5009	L12		
2521	C5	3207	I10	3328	A6	3611	J1	5010	K13		
2522	F6	3208	E11	3329	B6	3612	J1	5011	I6		
2523	D6	3209	E12	3330	A6	3613	G2	5012	J6		
2524	F5	3210	J10	3331	B5	3614	H2	5013	A6		
2533	D6	3211	J9	3332	A5	3615	J1	5014	F5		
2534	F6	3213	K4	3333	B5	3616	I2	5015	E7		
2541	D5	3214	K4	3334	B5	3621	L6	5016	E11		
2542	F5	3215	J9	3335	E12	3622	K7	5017	A11		
2543	C5	3216	L2	3336	E11	3623	L7	5018	A10		
2544	G5	3217	L2	3337	E11	3624	K7	5019	B10		
2546	G5	3218	J7	3338	E11	3625	L8	5020	B11		
2547	C5	3219	I7	3401	J6	3626	K8	5021	B11		
2548	G5	3220	J9	3402	K7	3628	J3	5022	B10		
2565	C5	3221	H8	3406	L4	3629	J3	5023	B10		
2567	D5	3222	H8	3408	K13	3631	J4	5024	B10		

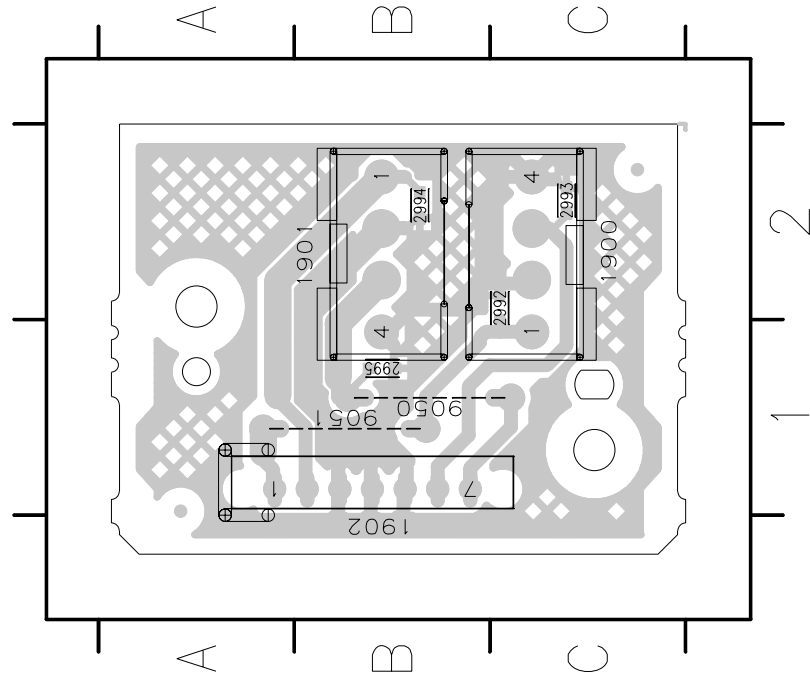
PB9 - AMP SOCKET(waC7000)



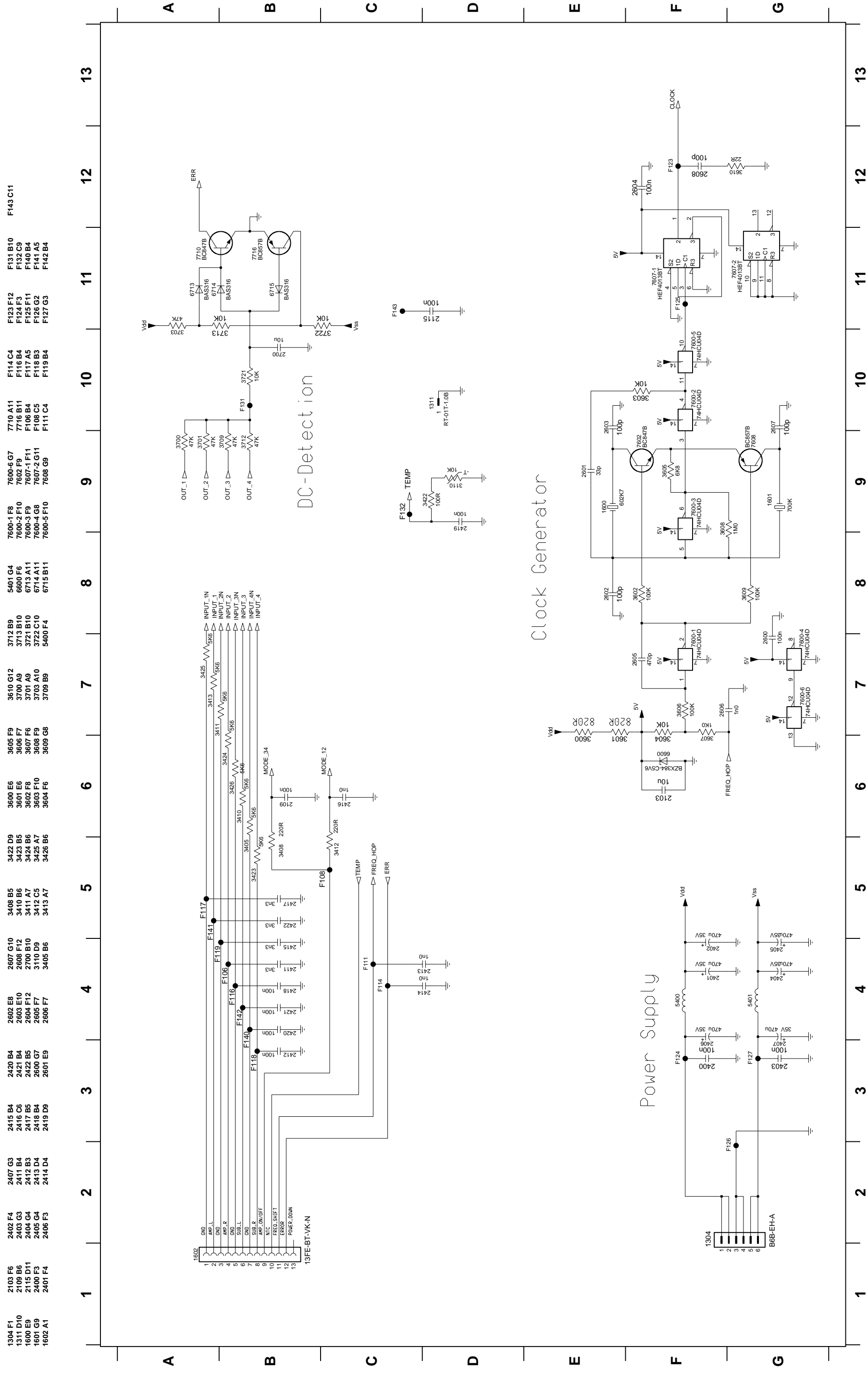
1900 C1  
1901 B1  
1902 B2  
9050 B2



2992 C2  
2993 C2  
2994 B1  
2995 B1



# AMPLIFIER BOARD - Circuit Diagram (part 1)(waC7000)



- 1304 F1
- 1311 D10
- 1600 E9
- 1601 G9
- 1602 A1
- 2103 F6
- 2109 B6
- 2115 D11
- 2400 F3
- 2401 F4
- 2403 G3
- 2404 G4
- 2405 G4
- 2406 F3
- 2415 B4
- 2416 B4
- 2417 B5
- 2418 B4
- 2419 D9
- 2420 B4
- 2421 B4
- 2422 B5
- 2423 B5
- 2424 B5
- 2425 B4
- 2426 B4
- 2427 B5
- 2428 B5
- 2429 B5
- 2430 B5
- 2431 B5
- 2432 B5
- 2433 B5
- 2434 B5
- 2435 B5
- 2436 B5
- 2437 B5
- 2438 B5
- 2439 B5
- 2440 B5
- 2441 B5
- 2442 B5
- 2443 B5
- 2444 B5
- 2445 B5
- 2446 B5
- 2447 B5
- 2448 B5
- 2449 B5
- 2450 B5
- 2451 B5
- 2452 B5
- 2453 B5
- 2454 B5
- 2455 B5
- 2456 B5
- 2457 B5
- 2458 B5
- 2459 B5
- 2460 B5
- 2461 B5
- 2462 B5
- 2463 B5
- 2464 B5
- 2465 B5
- 2466 B5
- 2467 B5
- 2468 B5
- 2469 B5
- 2470 B5
- 2471 B5
- 2472 B5
- 2473 B5
- 2474 B5
- 2475 B5
- 2476 B5
- 2477 B5
- 2478 B5
- 2479 B5
- 2480 B5
- 2481 B5
- 2482 B5
- 2483 B5
- 2484 B5
- 2485 B5
- 2486 B5
- 2487 B5
- 2488 B5
- 2489 B5
- 2490 B5
- 2491 B5
- 2492 B5
- 2493 B5
- 2494 B5
- 2495 B5
- 2496 B5
- 2497 B5
- 2498 B5
- 2499 B5
- 2500 B5

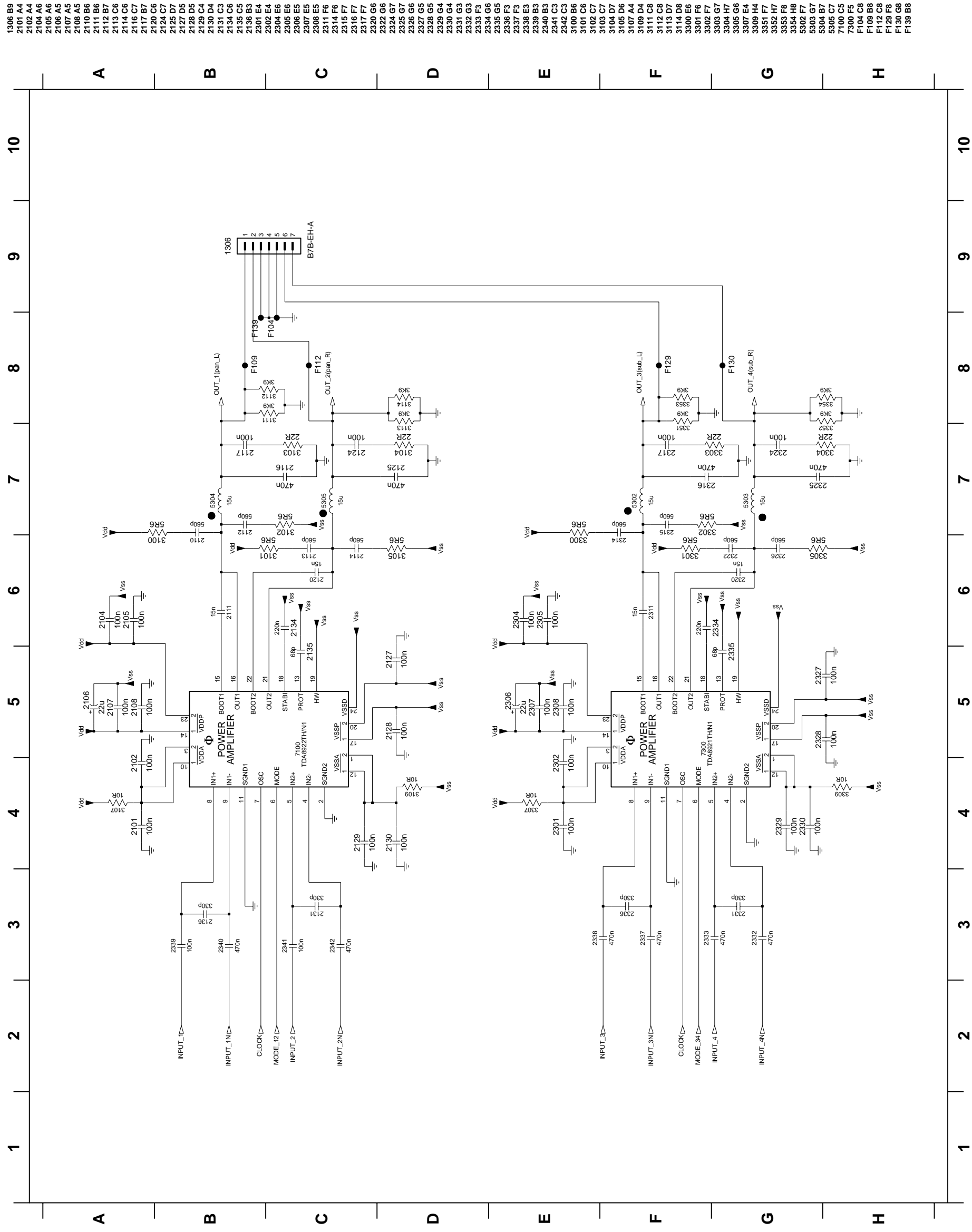
- 3605 F9
- 3606 F7
- 3607 F6
- 3608 F9
- 3609 G8
- 3604 E6
- 3601 E6
- 3602 F8
- 3603 F10
- 3604 F6
- 3422 D9
- 3423 B5
- 3424 B6
- 3425 A7
- 3426 B6
- 3408 B5
- 3410 B6
- 3411 A7
- 3412 C5
- 3413 A7
- 2607 G10
- 2608 F12
- 2700 B10
- 3110 D9
- 3405 B6
- 2602 E8
- 2603 E10
- 2604 F12
- 2605 F7
- 2606 F7
- 2420 B4
- 2421 B4
- 2422 B5
- 2423 B5
- 2424 B5
- 2425 B4
- 2426 B4
- 2427 B5
- 2428 B5
- 2429 B5
- 2430 B5
- 2431 B5
- 2432 B5
- 2433 B5
- 2434 B5
- 2435 B5
- 2436 B5
- 2437 B5
- 2438 B5
- 2439 B5
- 2440 B5
- 2441 B5
- 2442 B5
- 2443 B5
- 2444 B5
- 2445 B5
- 2446 B5
- 2447 B5
- 2448 B5
- 2449 B5
- 2450 B5
- 2451 B5
- 2452 B5
- 2453 B5
- 2454 B5
- 2455 B5
- 2456 B5
- 2457 B5
- 2458 B5
- 2459 B5
- 2460 B5
- 2461 B5
- 2462 B5
- 2463 B5
- 2464 B5
- 2465 B5
- 2466 B5
- 2467 B5
- 2468 B5
- 2469 B5
- 2470 B5
- 2471 B5
- 2472 B5
- 2473 B5
- 2474 B5
- 2475 B5
- 2476 B5
- 2477 B5
- 2478 B5
- 2479 B5
- 2480 B5
- 2481 B5
- 2482 B5
- 2483 B5
- 2484 B5
- 2485 B5
- 2486 B5
- 2487 B5
- 2488 B5
- 2489 B5
- 2490 B5
- 2491 B5
- 2492 B5
- 2493 B5
- 2494 B5
- 2495 B5
- 2496 B5
- 2497 B5
- 2498 B5
- 2499 B5
- 2500 B5

- 7600-1 F8
- 7600-2 F10
- 7600-3 F9
- 7600-4 G8
- 7600-5 F10
- 7600-6 G7
- 7602 F9
- 7607-1 F11
- 7607-2 G11
- 7608 G9
- 5401 G4
- 6600 F6
- 6713 A11
- 6714 A11
- 6715 B11
- 3712 B9
- 3713 B10
- 3701 A9
- 3703 A10
- 3709 B9
- 3610 G12
- 3700 A9
- 3701 B10
- 3722 C10
- 5400 F4
- 3425 A7
- 3413 A7
- 3411 A7
- 3424 B6
- 3425 A7
- 3426 B6
- 3408 B5
- 3410 B6
- 3411 A7
- 3412 C5
- 3413 A7
- 2607 G10
- 2608 F12
- 2700 B10
- 3110 D9
- 3405 B6
- 2602 E8
- 2603 E10
- 2604 F12
- 2605 F7
- 2606 F7
- 2420 B4
- 2421 B4
- 2422 B5
- 2423 B5
- 2424 B5
- 2425 B4
- 2426 B4
- 2427 B5
- 2428 B5
- 2429 B5
- 2430 B5
- 2431 B5
- 2432 B5
- 2433 B5
- 2434 B5
- 2435 B5
- 2436 B5
- 2437 B5
- 2438 B5
- 2439 B5
- 2440 B5
- 2441 B5
- 2442 B5
- 2443 B5
- 2444 B5
- 2445 B5
- 2446 B5
- 2447 B5
- 2448 B5
- 2449 B5
- 2450 B5
- 2451 B5
- 2452 B5
- 2453 B5
- 2454 B5
- 2455 B5
- 2456 B5
- 2457 B5
- 2458 B5
- 2459 B5
- 2460 B5
- 2461 B5
- 2462 B5
- 2463 B5
- 2464 B5
- 2465 B5
- 2466 B5
- 2467 B5
- 2468 B5
- 2469 B5
- 2470 B5
- 2471 B5
- 2472 B5
- 2473 B5
- 2474 B5
- 2475 B5
- 2476 B5
- 2477 B5
- 2478 B5
- 2479 B5
- 2480 B5
- 2481 B5
- 2482 B5
- 2483 B5
- 2484 B5
- 2485 B5
- 2486 B5
- 2487 B5
- 2488 B5
- 2489 B5
- 2490 B5
- 2491 B5
- 2492 B5
- 2493 B5
- 2494 B5
- 2495 B5
- 2496 B5
- 2497 B5
- 2498 B5
- 2499 B5
- 2500 B5

- F132
- F133
- F134
- F135
- F136
- F137
- F138
- F139
- F140
- F141
- F142
- F143
- F144
- F145
- F146
- F147
- F148
- F149
- F150
- F151
- F152
- F153
- F154
- F155
- F156
- F157
- F158
- F159
- F160
- F161
- F162
- F163
- F164
- F165
- F166
- F167
- F168
- F169
- F170
- F171
- F172
- F173
- F174
- F175
- F176
- F177
- F178
- F179
- F180
- F181
- F182
- F183
- F184
- F185
- F186
- F187
- F188
- F189
- F190
- F191
- F192
- F193
- F194
- F195
- F196
- F197
- F198
- F199
- F200

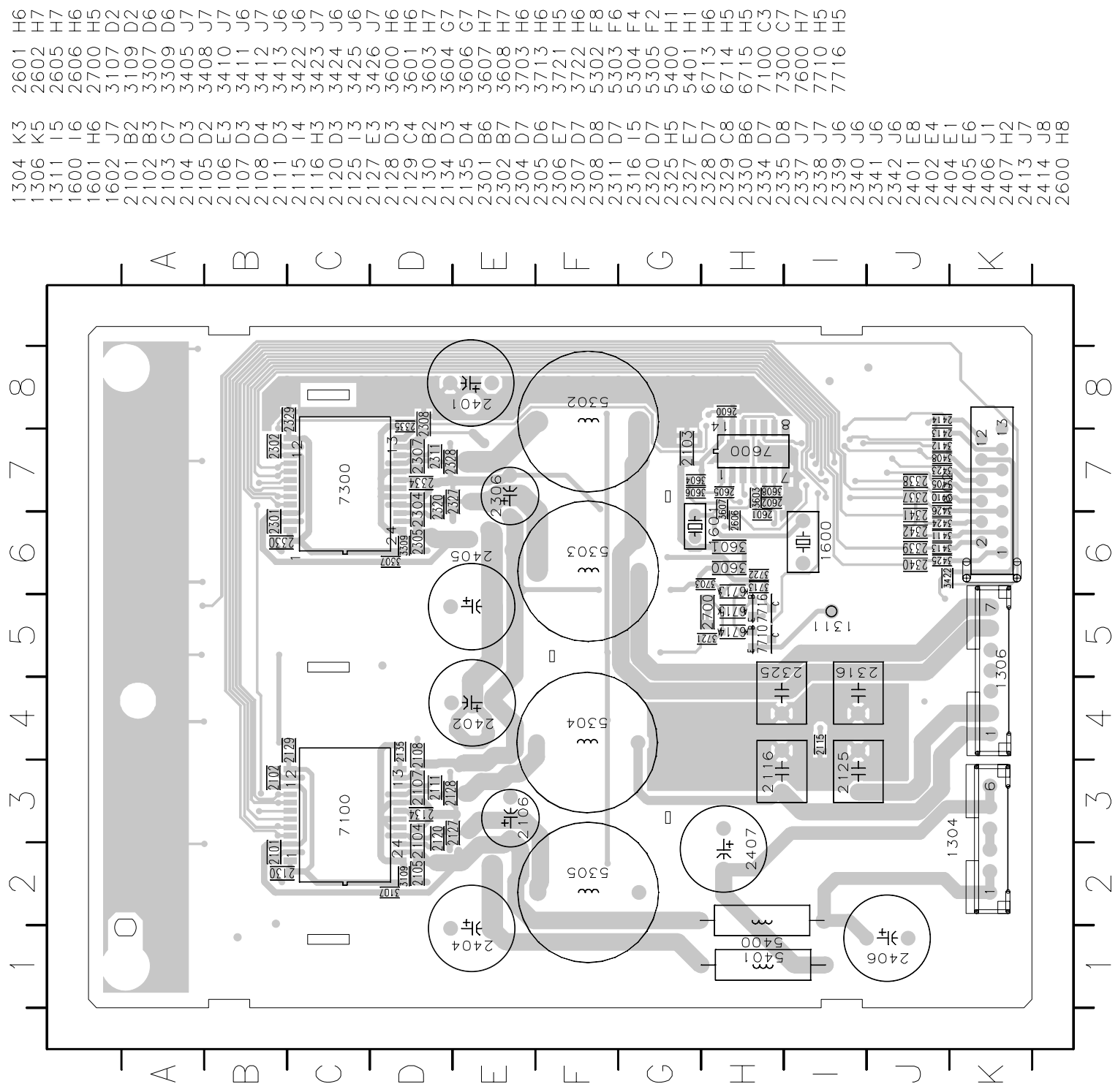


AMPLIFIER BOARD - Circuit Diagram (part 2)(waC7000)



- 1306 B9
- 2101 A4
- 2102 A4
- 2104 A6
- 2105 A6
- 2106 A5
- 2107 A5
- 2108 A5
- 2110 B6
- 2111 B6
- 2112 B7
- 2113 C6
- 2114 C6
- 2116 C7
- 2117 B7
- 2120 C6
- 2124 C7
- 2125 D7
- 2127 D5
- 2128 D5
- 2129 C4
- 2130 D4
- 2131 C3
- 2134 C6
- 2135 C5
- 2136 B3
- 2301 E4
- 2302 E4
- 2304 E6
- 2305 E6
- 2306 E5
- 2307 E5
- 2308 E5
- 2311 F6
- 2314 F6
- 2315 F7
- 2316 F7
- 2317 F7
- 2320 G6
- 2322 G6
- 2324 G7
- 2325 G7
- 2326 G6
- 2327 G5
- 2328 G5
- 2329 G4
- 2330 G4
- 2331 G3
- 2332 G3
- 2333 F3
- 2334 G6
- 2335 G5
- 2336 F3
- 2337 F3
- 2338 E3
- 2339 B3
- 2340 B3
- 2341 C3
- 2342 C3
- 3100 B6
- 3101 C6
- 3102 C7
- 3103 C7
- 3104 D7
- 3105 D6
- 3107 A4
- 3109 D4
- 3111 C8
- 3112 C8
- 3113 D7
- 3114 D8
- 3300 E6
- 3301 F6
- 3302 F7
- 3303 G7
- 3304 H7
- 3305 G6
- 3307 E4
- 3309 H4
- 3351 F7
- 3352 H7
- 3353 F8
- 3354 H8
- 5302 F7
- 5303 G7
- 5304 B7
- 5305 C7
- 7100 C5
- 7300 F5
- F104 C8
- F109 B8
- F112 C8
- F129 F8
- F130 G8
- F139 B8

AMPLIFIER BOARD - Layout Diagram (side A)(waC7000)

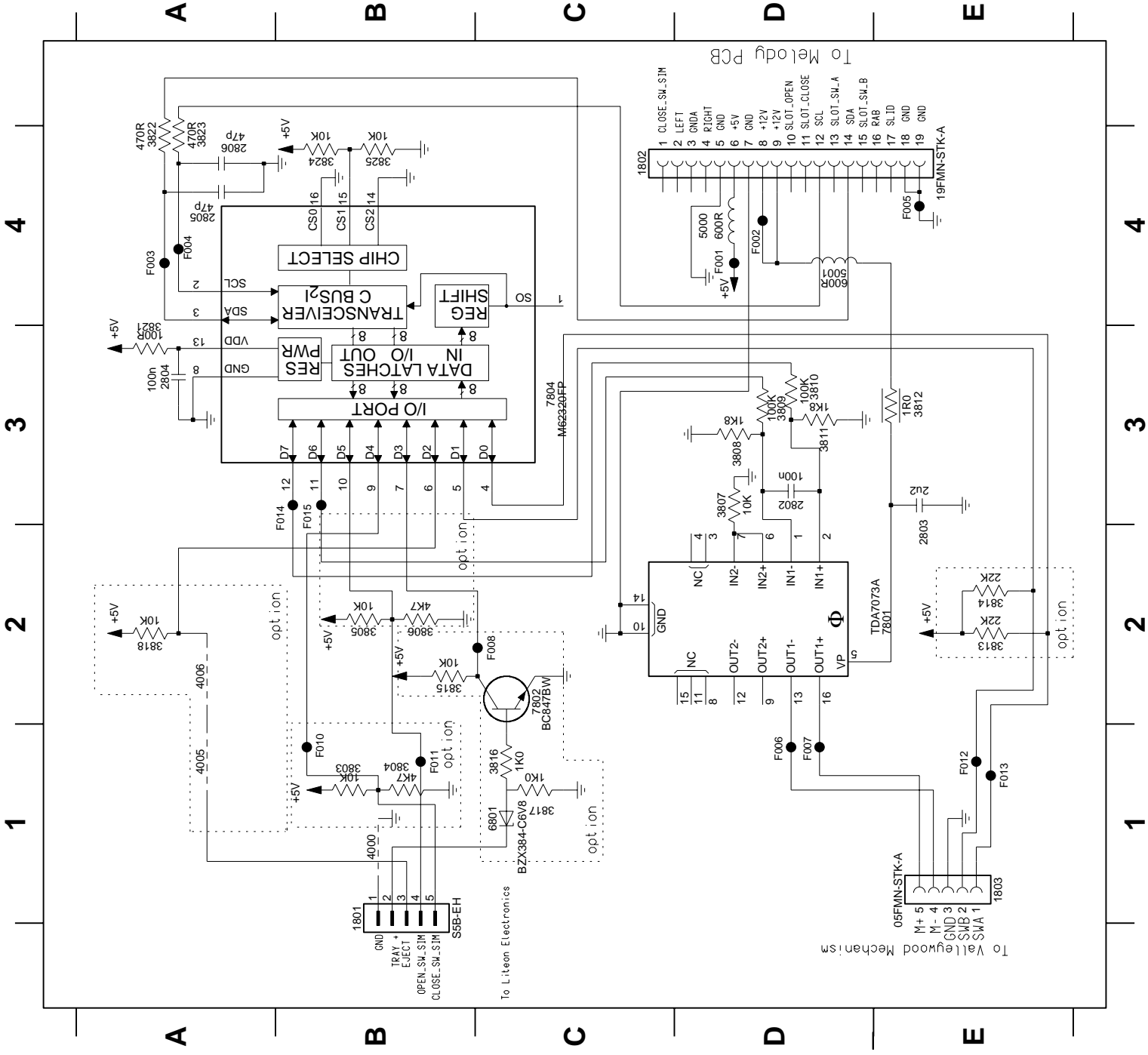


- 1304 K3
- 1306 K5
- 1311 I5
- 1600 I6
- 1601 H6
- 1602 J7
- 2101 B2
- 2102 B3
- 2103 G7
- 2104 D3
- 2105 D2
- 2106 E3
- 2107 D3
- 2108 D4
- 2111 D3
- 2115 I4
- 2116 H3
- 2120 D3
- 2125 I3
- 2127 E3
- 2128 D3
- 2129 C4
- 2130 B2
- 2134 D3
- 2135 D4
- 2301 B6
- 2302 B7
- 2304 D7
- 2305 D6
- 2306 E7
- 2307 D7
- 2308 D8
- 2311 D7
- 2316 I5
- 2320 D7
- 2325 H5
- 2327 E7
- 2328 D7
- 2329 C8
- 2330 B6
- 2334 D7
- 2335 D8
- 2337 J7
- 2338 J7
- 2339 J6
- 2340 J6
- 2341 J6
- 2342 J6
- 2401 E8
- 2402 E4
- 2404 E1
- 2405 E6
- 2406 J1
- 2407 H2
- 2413 J7
- 2414 J8
- 2600 H8
- 2601 H6
- 2602 H7
- 2605 H7
- 2606 H6
- 2700 H5
- 3107 D2
- 3307 D2
- 3309 D6
- 3405 J7
- 3408 J7
- 3410 J7
- 3411 J6
- 3412 J7
- 3413 J6
- 3422 J6
- 3423 J7
- 3424 J6
- 3425 J6
- 3426 J7
- 3600 H6
- 3601 H6
- 3603 H7
- 3604 G7
- 3606 G7
- 3607 H7
- 3608 H7
- 3703 H6
- 3713 H6
- 3721 H5
- 3722 H6
- 5302 F8
- 5303 F6
- 5304 F4
- 5305 F2
- 5400 H1
- 5401 H1
- 6713 H6
- 6714 H5
- 6715 H5
- 7100 C3
- 7300 C7
- 7600 H7
- 7710 H5
- 7716 H5



SLOT DVD LOADER CONTROL BOARD - Circuit Diagram (waC7000)

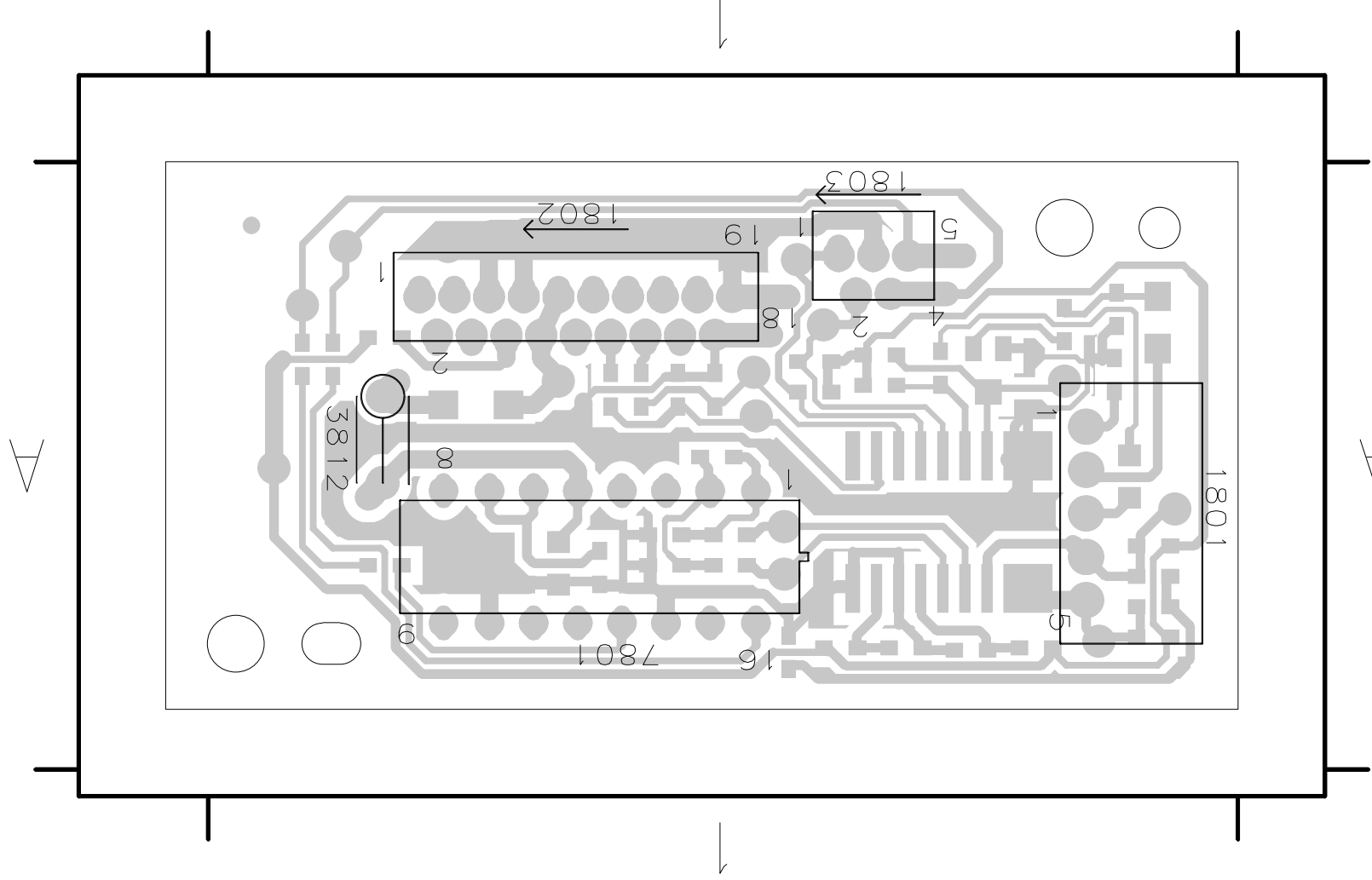
- 1801 B1 2803 E2 3803 B1 3807 D3 3811 D3 3815 B2 3821 A4 3825 B4 5000 D4 7802 C2 F003 A4 F007 D1 F012 E1
- 1802 C4 2804 A3 3804 B1 3808 D3 3812 E3 3816 C1 3822 A4 4000 B1 4000 C3 7804 C4 F004 A4 F008 C2 F013 E1
- 1803 E1 2805 A4 3805 B2 3809 D3 3813 E2 3817 C1 3823 A4 4005 A1 4005 A4 6801 C1 F001 D4 F005 E4 F010 B1 F014 B3
- 2802 D3 2806 A4 3806 B2 3810 D3 3814 E2 3818 A2 3824 B4 4006 A2 7801 E2 F002 D4 F006 D1 F011 B1 F015 B3



SLOT DVD LOADER CONTROL BOARD - Layout Diagram (waC7000)

12 - 2

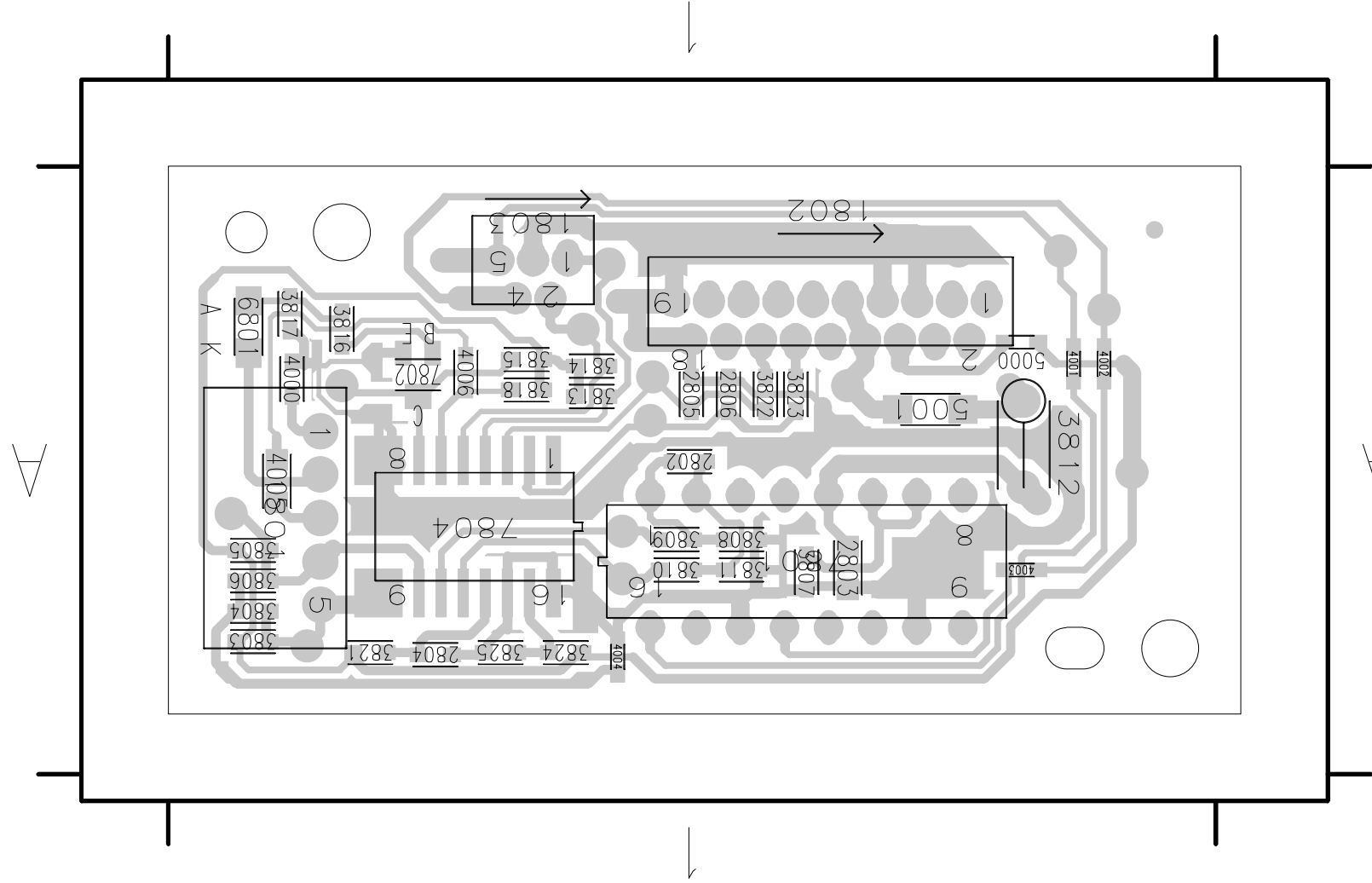
SIDE A



1  
2  
3  
4  
5  
6  
7  
8  
9  
10  
11  
12  
13  
14  
15  
16  
17  
18  
19  
A  
B  
C  
D  
E  
F  
G  
H  
I  
J  
K

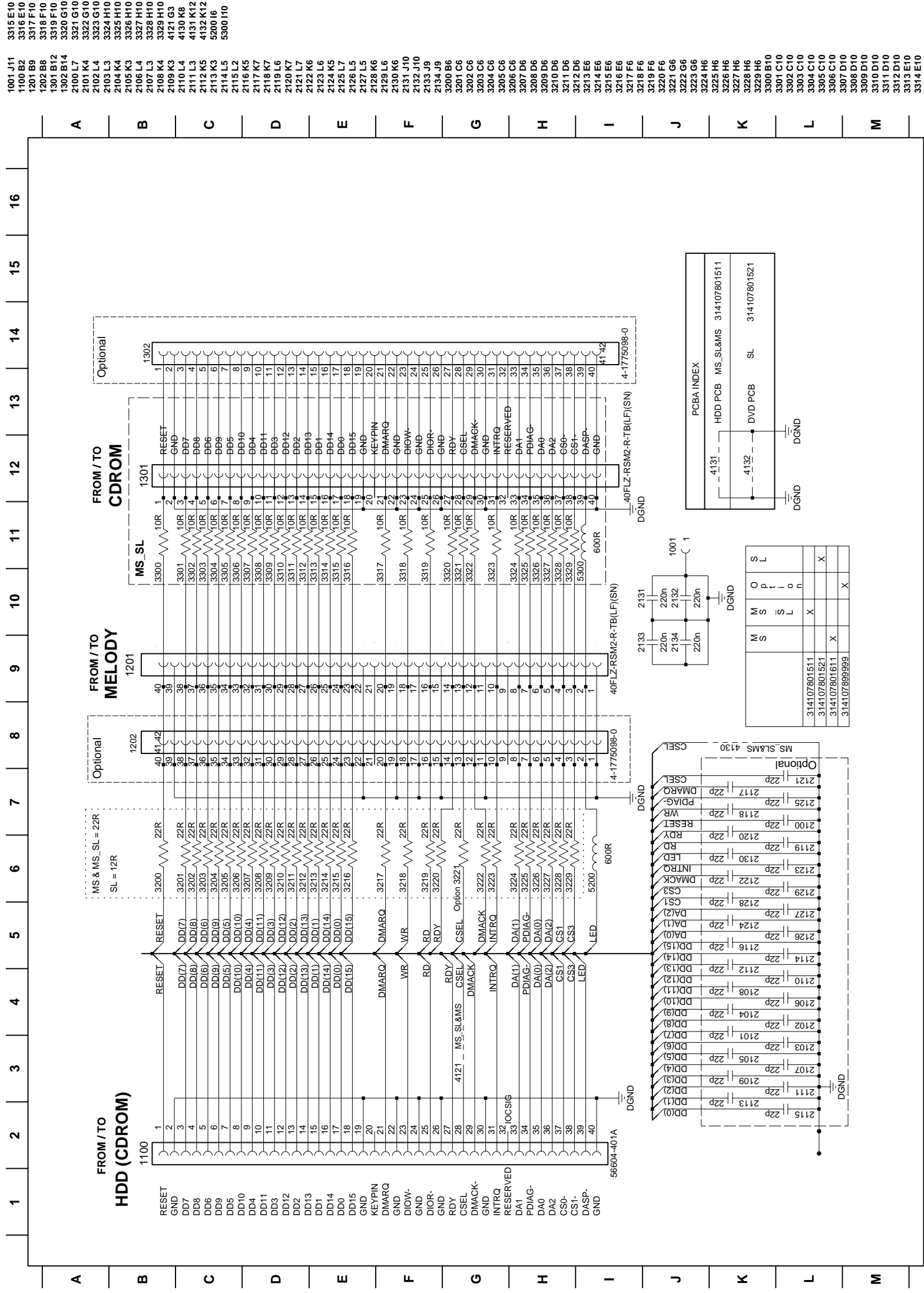
12 - 2

SIDE B



1  
2  
3  
4  
5  
6  
7  
8  
9  
10  
11  
12  
13  
14  
15  
16  
17  
18  
19  
A  
B  
C  
D  
E  
F  
G  
H  
I  
J  
K

PB - ATA - MS/SL Interface - Circuit Diagram (waC7000)

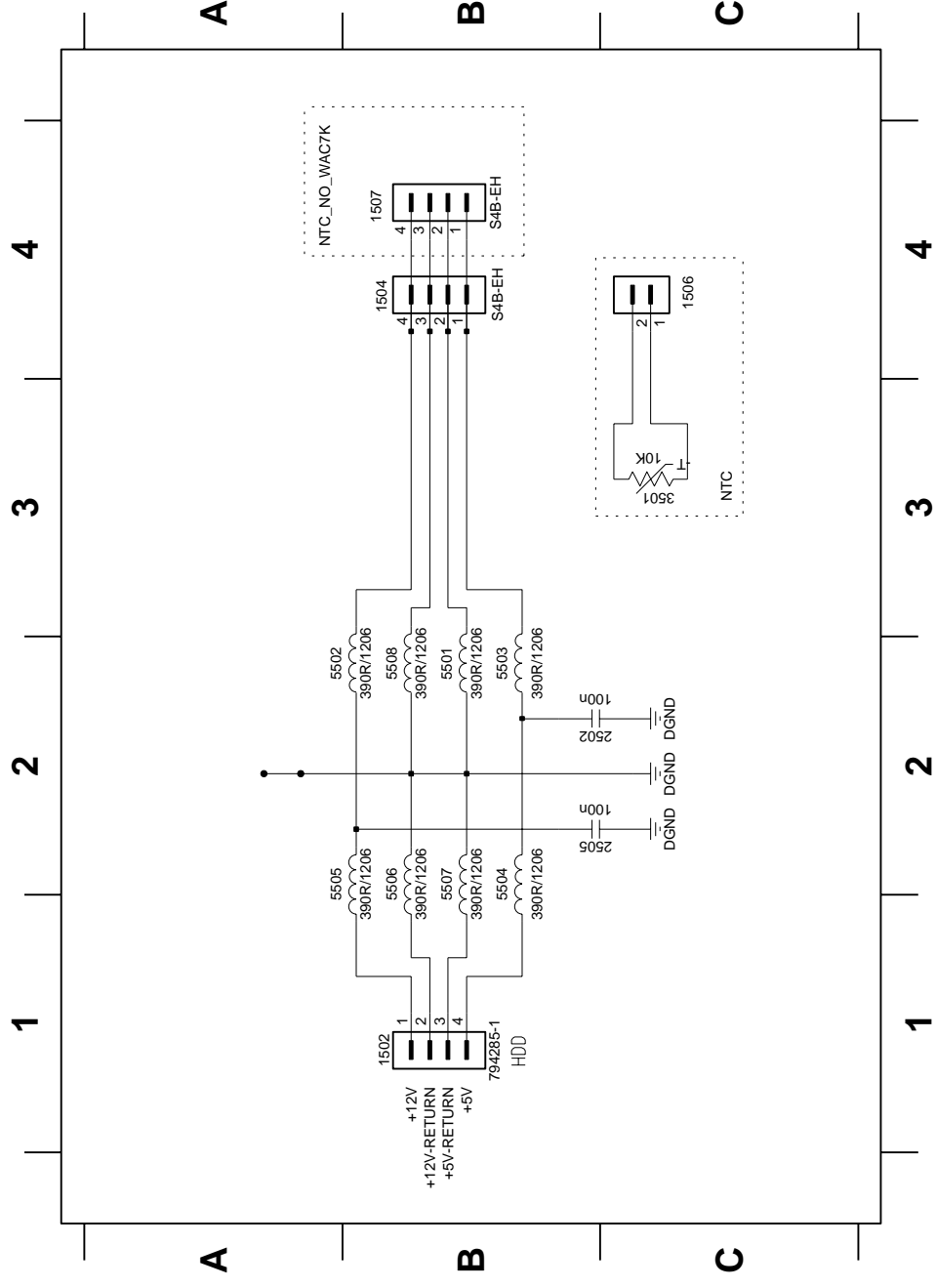


- 1001 J11
- 1100 B2
- 1201 B9
- 1202 B8
- 1301 B12
- 1302 B14
- 2100 L7
- 2101 K4
- 2102 L4
- 2103 L3
- 2104 K4
- 2105 K3
- 2106 L4
- 2107 L3
- 2108 K4
- 2109 K3
- 2110 L4
- 2111 L3
- 2112 K3
- 2113 K3
- 2114 L5
- 2115 L2
- 2116 K5
- 2117 K7
- 2118 K7
- 2119 L6
- 2120 K7
- 2121 L7
- 2122 K6
- 2123 L5
- 2124 K5
- 2125 L7
- 2126 L5
- 2127 L5
- 2128 K6
- 2129 L6
- 2130 K6
- 2131 J10
- 2132 J10
- 2133 J9
- 2134 J9
- 3200 B6
- 3201 C6
- 3202 C6
- 3203 C6
- 3204 C6
- 3205 C6
- 3206 C6
- 3207 D6
- 3208 D6
- 3209 D6
- 3210 D6
- 3211 D6
- 3212 D6
- 3213 E6
- 3214 E6
- 3215 E6
- 3216 E6
- 3217 F6
- 3218 F6
- 3219 F6
- 3220 F6
- 3221 G6
- 3222 G6
- 3223 G6
- 3224 H6
- 3225 H6
- 3226 H6
- 3227 H6
- 3228 H6
- 3229 H6
- 3300 B10
- 3301 C10
- 3302 C10
- 3303 C10
- 3304 C10
- 3305 C10
- 3306 C10
- 3307 D10
- 3308 D10
- 3309 D10
- 3310 D10
- 3311 D10
- 3312 D10
- 3313 E10
- 3314 E10



PB - ATA - PW Interface - Circuit Diagram (waC7000)

1502 B1 1506 C4 2502 B2 3501 C3 5502 A2 5504 B2 5506 B2 5508 B2  
 1504 B4 1507 B4 2505 B2 5501 B2 5503 B2 5505 A2 5507 B2

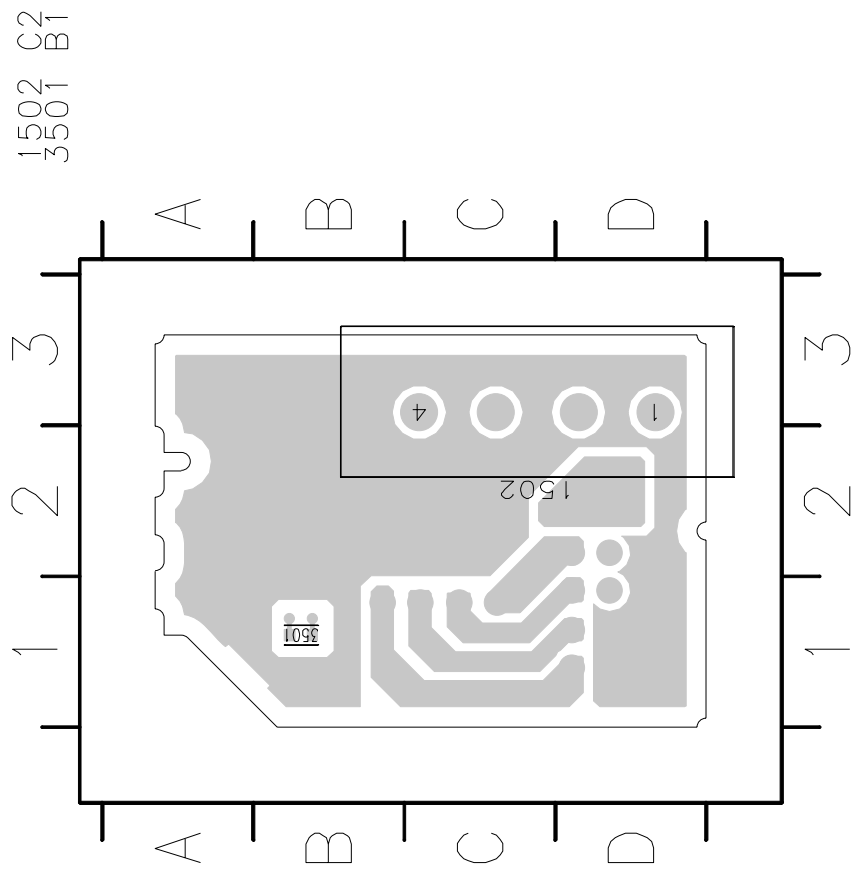


	Z-C					
	Z-C	NO	WACK			X
	Z-C	NO	WACK			X
	Z-C					
314107801831				X		
314107801831				X		
314107801841				X		

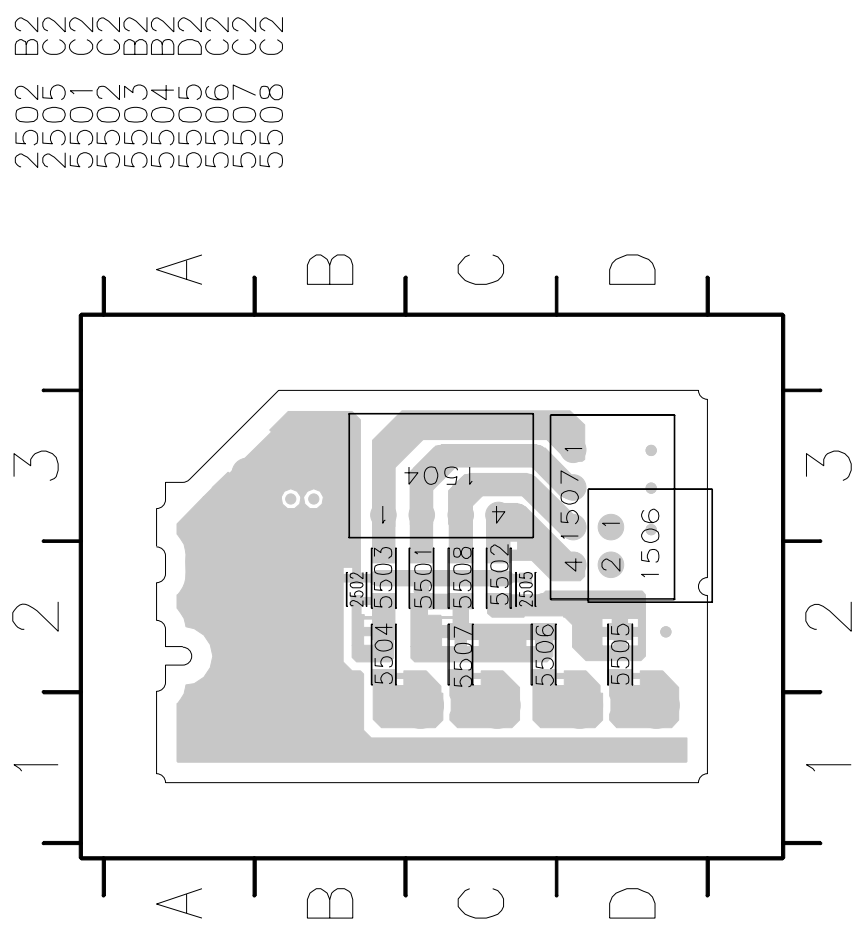


PB - ATA - PW Interface - Layout Diagram (waC7000)

SIDE A

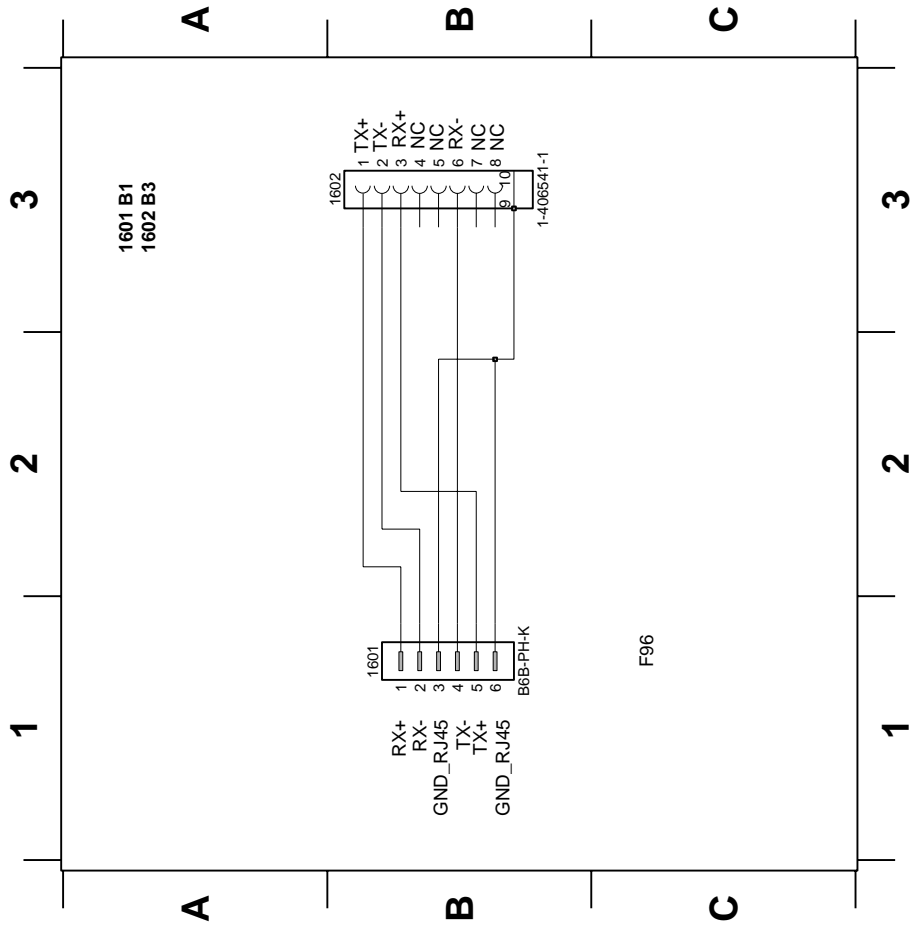


SIDE B

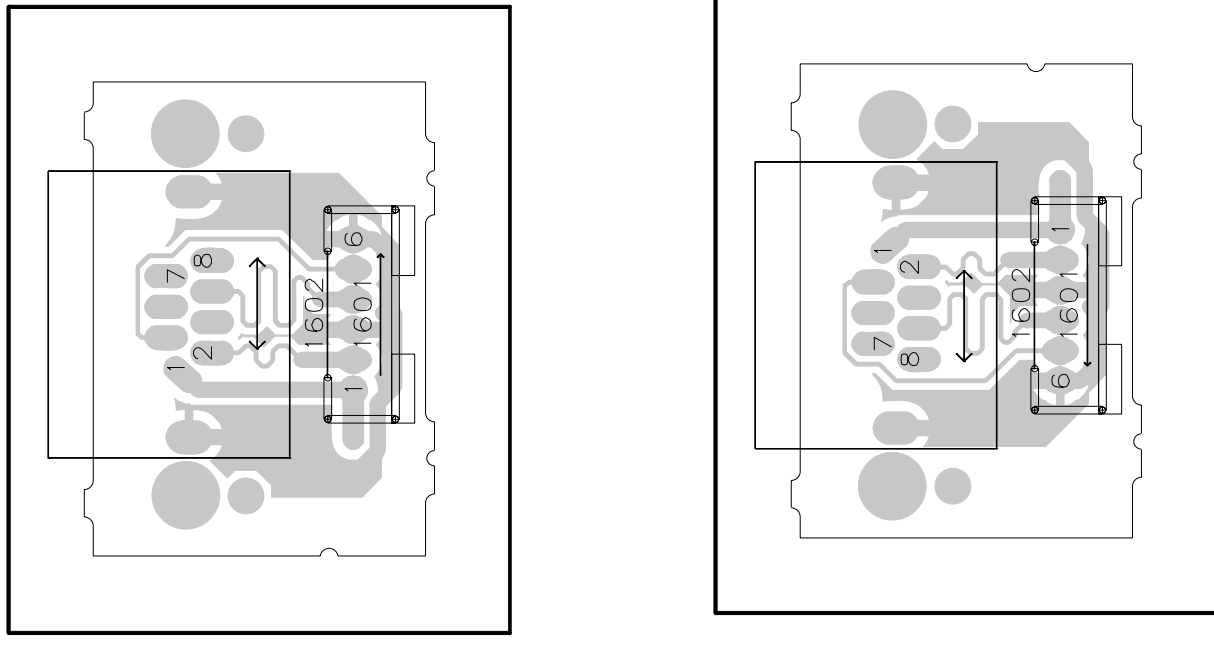


PB9 - Ethernet Interface (waS7000)

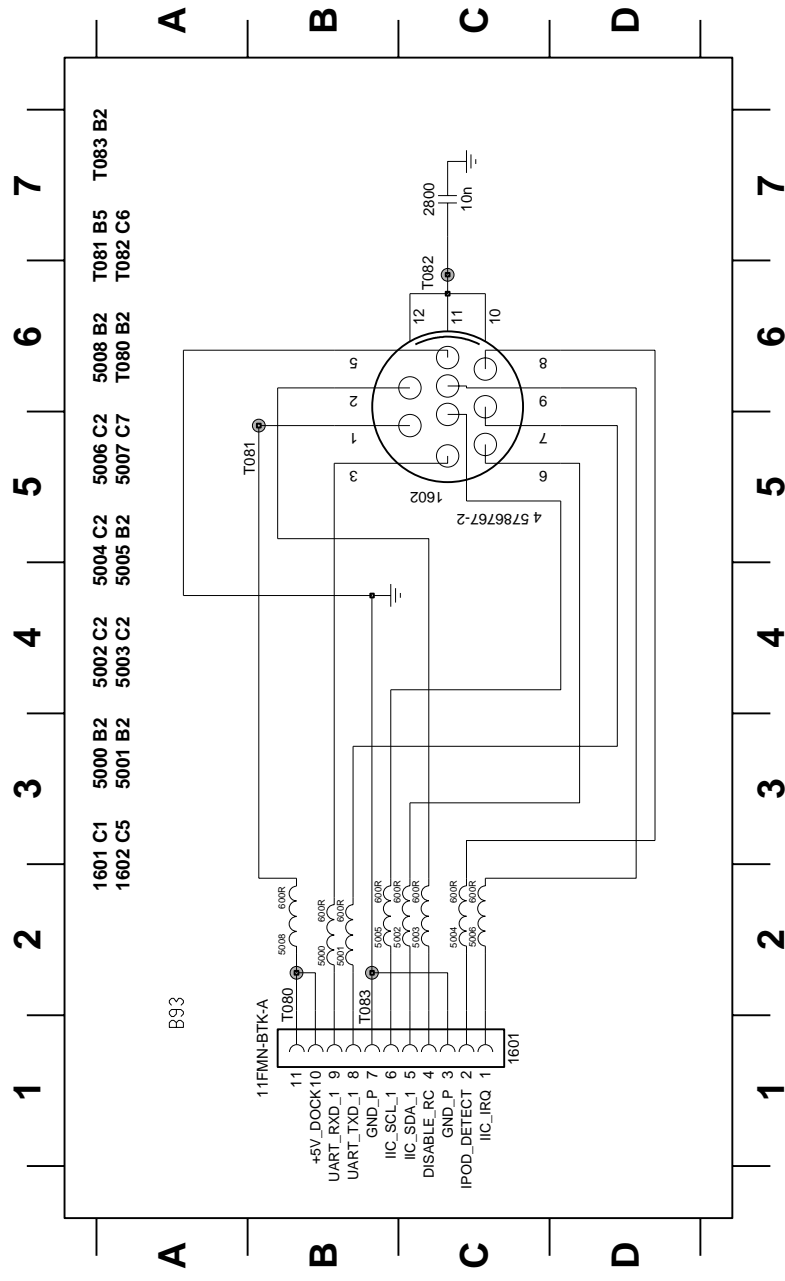
Circuit diagram



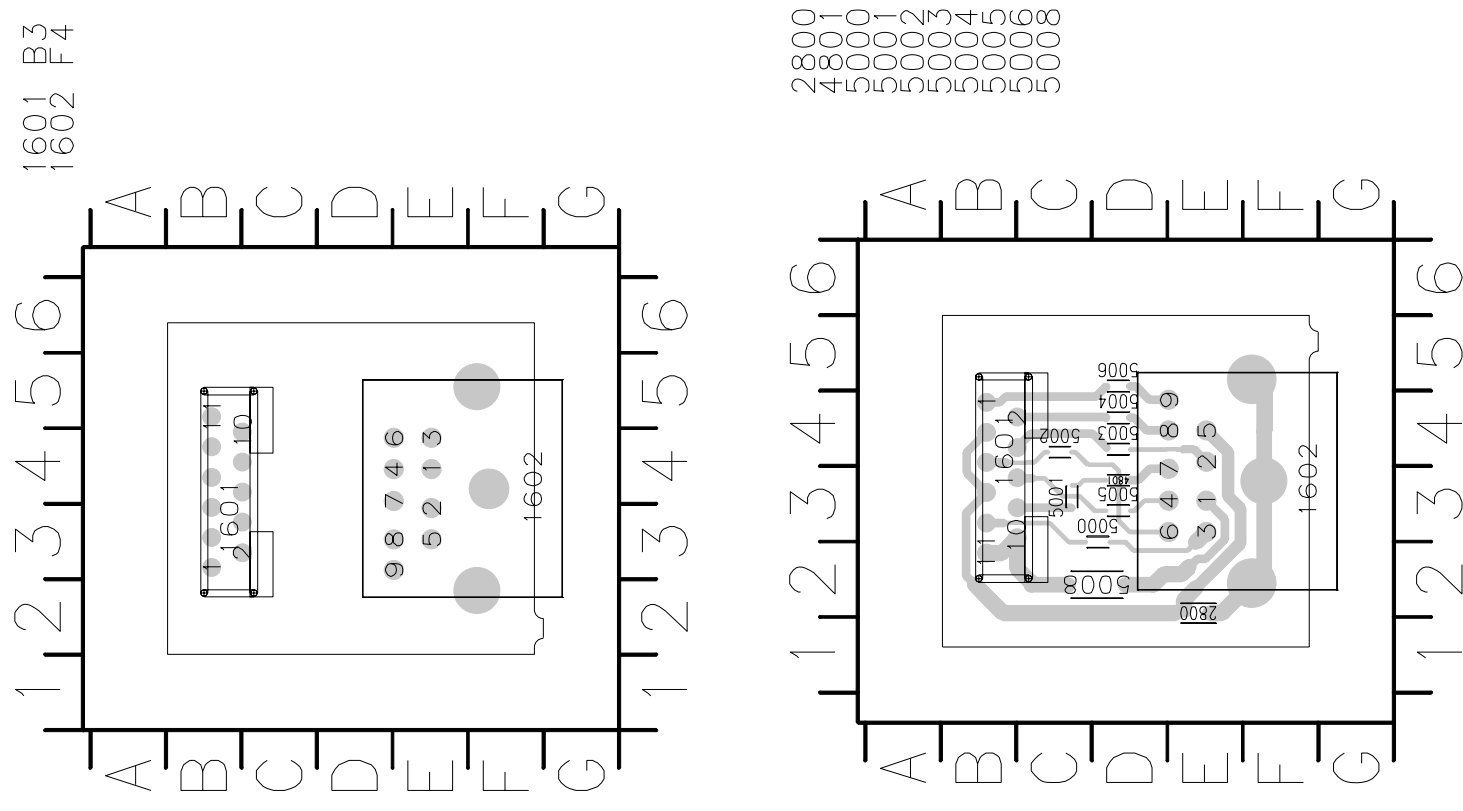
Layout diagram



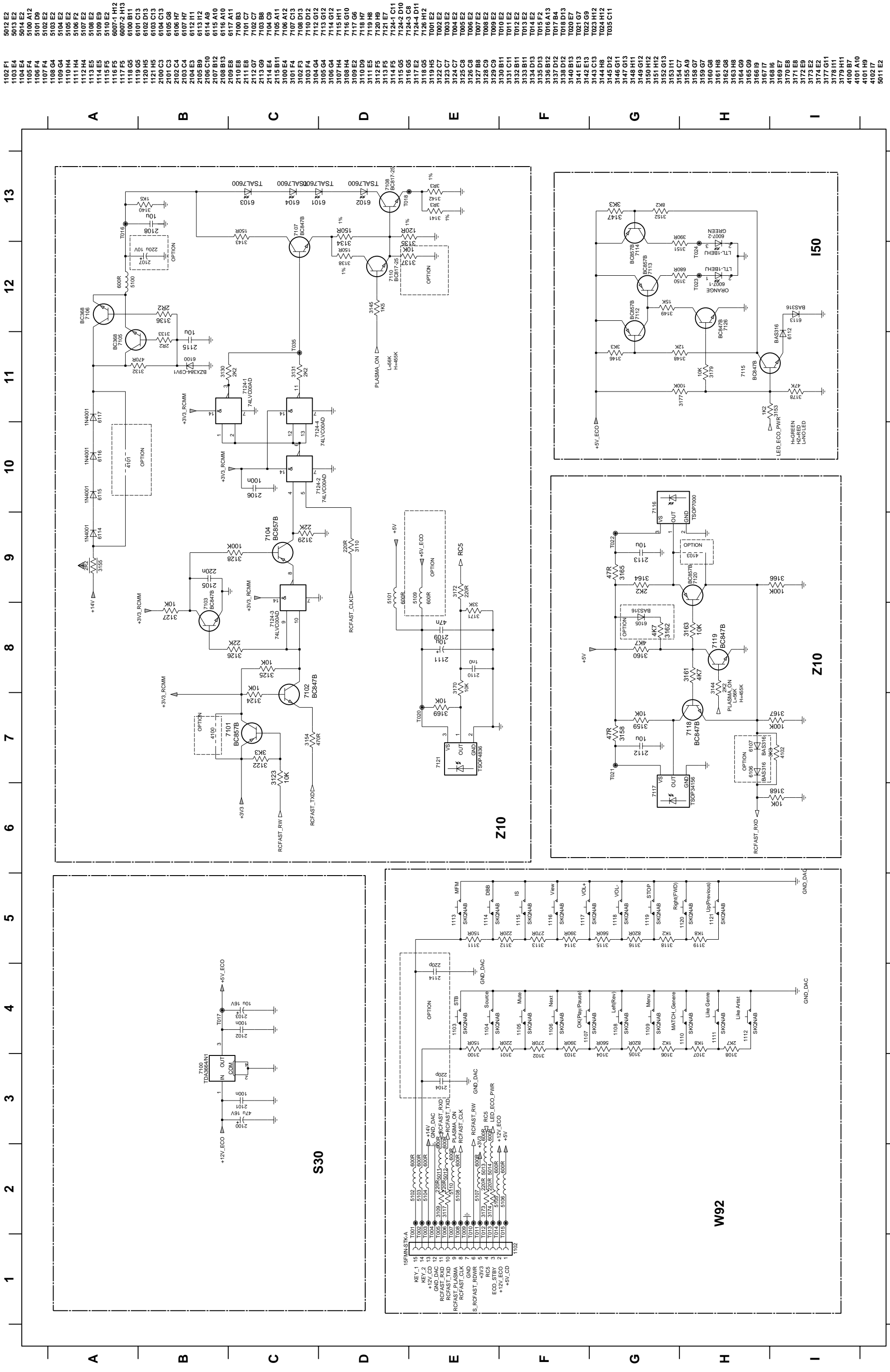
Circuit diagram



Layout diagram

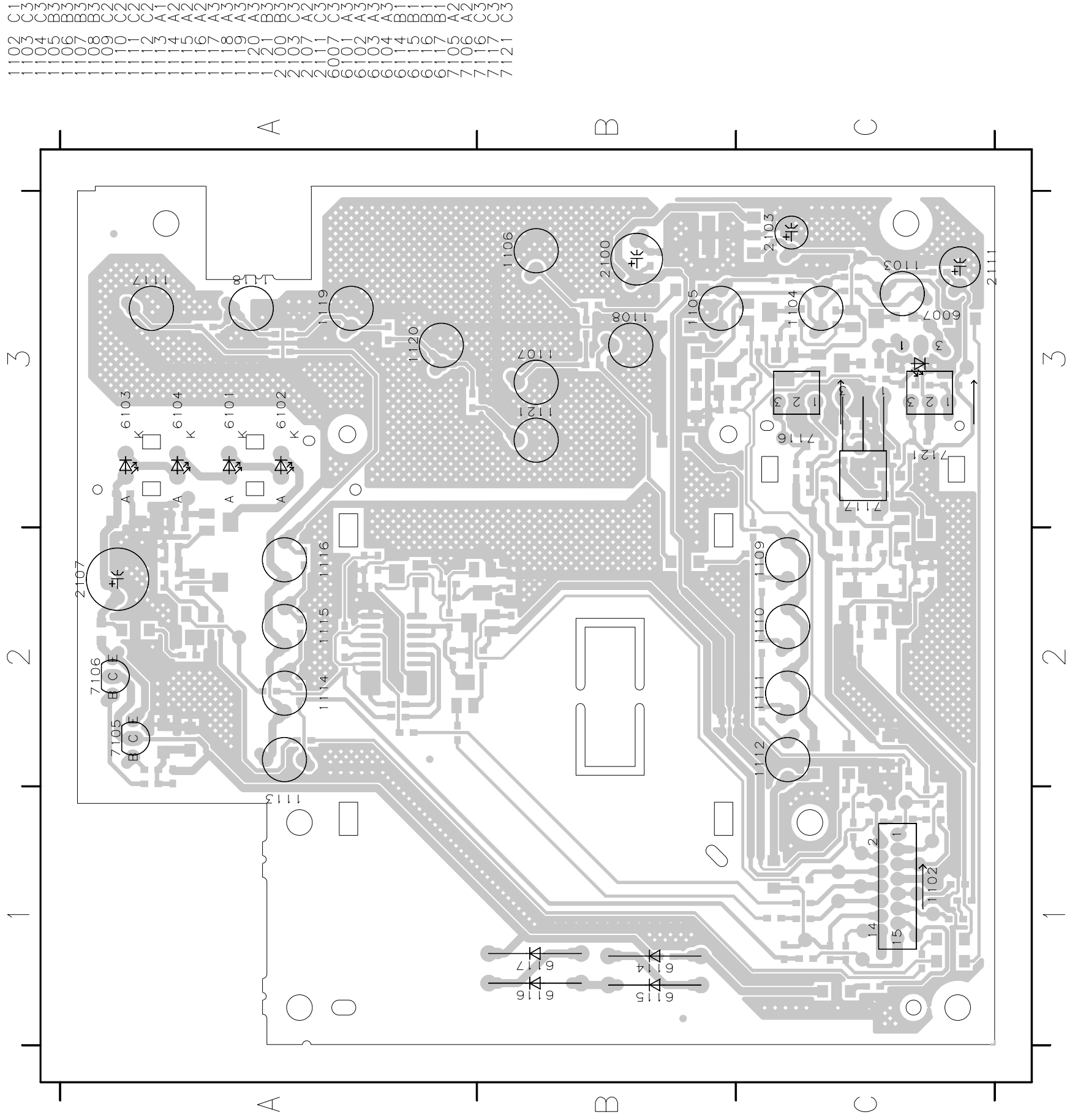


PB6-KEYS & RC - Circuit Diagram (waS7000)



1102 F1	5012 E2
1103 E4	5013 E2
1104 E4	5014 E2
1105 F4	5100 A12
1106 F4	5101 D8
1107 F4	5102 E2
1108 G4	5103 E2
1109 G4	5104 E2
1110 H4	5105 E2
1111 H4	5106 F2
1112 H4	5107 E2
1113 E5	5108 E2
1114 E5	5109 E9
1115 F5	5110 E2
1116 F5	6007-1 H12
1117 F5	6007-2 H13
1118 G5	6008 B11
1119 G5	6101 C13
1120 H5	6102 D13
1121 H5	6103 C13
2100 C3	6104 C13
2101 C3	6105 C6
2102 C3	6106 C6
2103 C4	6107 H7
2104 C4	6108 H7
2105 B9	6112 H1
2106 C10	6113 H2
2107 B12	6114 A9
2108 B13	6115 A10
2109 E8	6116 A10
2110 E8	6117 A11
2111 E8	7100 B3
2112 G7	7101 C7
2113 G9	7103 B8
2114 E4	7104 C9
2115 B11	7105 A11
3100 E4	7106 A12
3101 F4	7107 C13
3102 F3	7108 D13
3103 F4	7110 D12
3104 G4	7110 D12
3105 G4	7113 G12
3106 G4	7114 G12
3107 H4	7115 H11
3108 H4	7116 G10
3109 E2	7117 G6
3110 E2	7118 G7
3111 E5	7119 H8
3112 E5	7120 H8
3113 E5	7121 E7
3114 F5	7121 E7
3115 G5	7124-1 C11
3116 G5	7124-2 D10
3117 E2	7124-3 C8
3118 G5	7124-4 D11
3119 H5	7126 H12
3120 E2	T001 E2
3121 C7	T002 E2
3122 C7	T003 E2
3123 C7	T004 E2
3124 C7	T005 E2
3125 C8	T006 E2
3126 C8	T007 E2
3127 B8	T008 E2
3128 C9	T009 E2
3129 C9	T010 E2
3130 B11	T011 E2
3131 C11	T012 E2
3132 B11	T013 E2
3133 B11	T014 E2
3134 D13	T015 F2
3135 D13	T016 B4
3136 D13	T017 B4
3137 D12	T018 D13
3138 D12	T020 E7
3140 B13	T021 G7
3141 E13	T022 G9
3142 E13	T023 H12
3144 H8	T024 H12
3145 D12	T025 C11
3146 G11	
3147 G13	
3148 H11	
3149 G12	
3150 H12	
3151 H12	
3152 G13	
3153 I11	
3154 C7	
3155 A9	
3156 G7	
3159 G7	
3160 G8	
3161 H8	
3162 G8	
3163 G8	
3164 C9	
3165 C9	
3166 B9	
3167 I7	
3168 I6	
3170 E8	
3171 E8	
3172 E9	
3173 E2	
3174 E2	
3177 G11	
3178 H11	
3179 H11	
4100 B7	
4101 A10	
4101 H9	
4102 I7	
5011 E2	

SIDE A

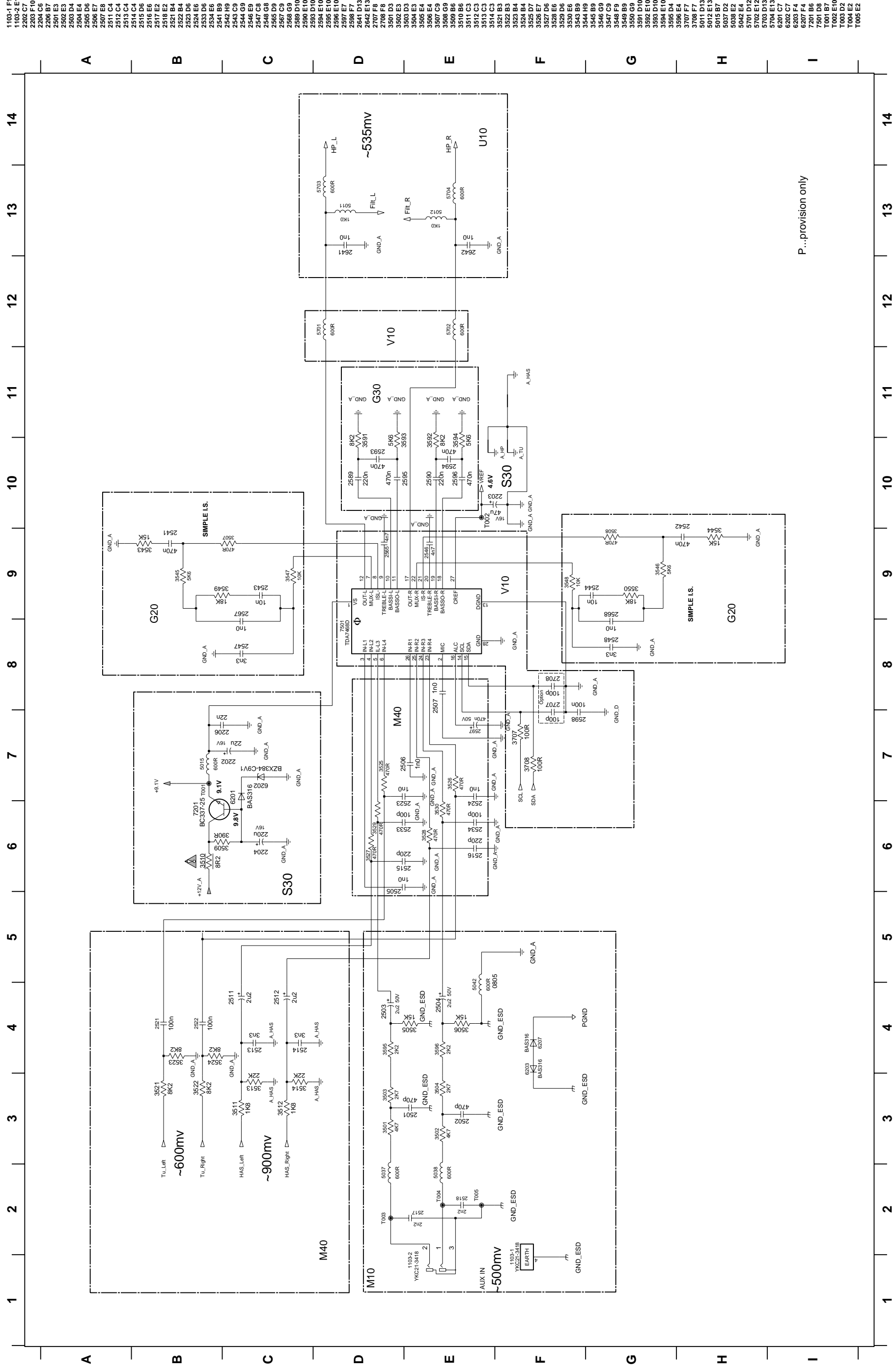


1 2 3 4 5 6 7 8 9 10 11 12 13 14 15 16 17 18 19 20 21 22 23 24 25 26 27 28 29 30 31 32 33 34 35 36 37 38 39 40 41 42 43 44 45 46 47 48 49 50 51 52 53 54 55 56 57 58 59 60 61 62 63 64 65 66 67 68 69 70 71 72 73 74 75 76 77 78 79 80 81 82 83 84 85 86 87 88 89 90 91 92 93 94 95 96 97 98 99 100



# PB5-AF BOARD - Circuit Diagram (waS7000)

## PART 1

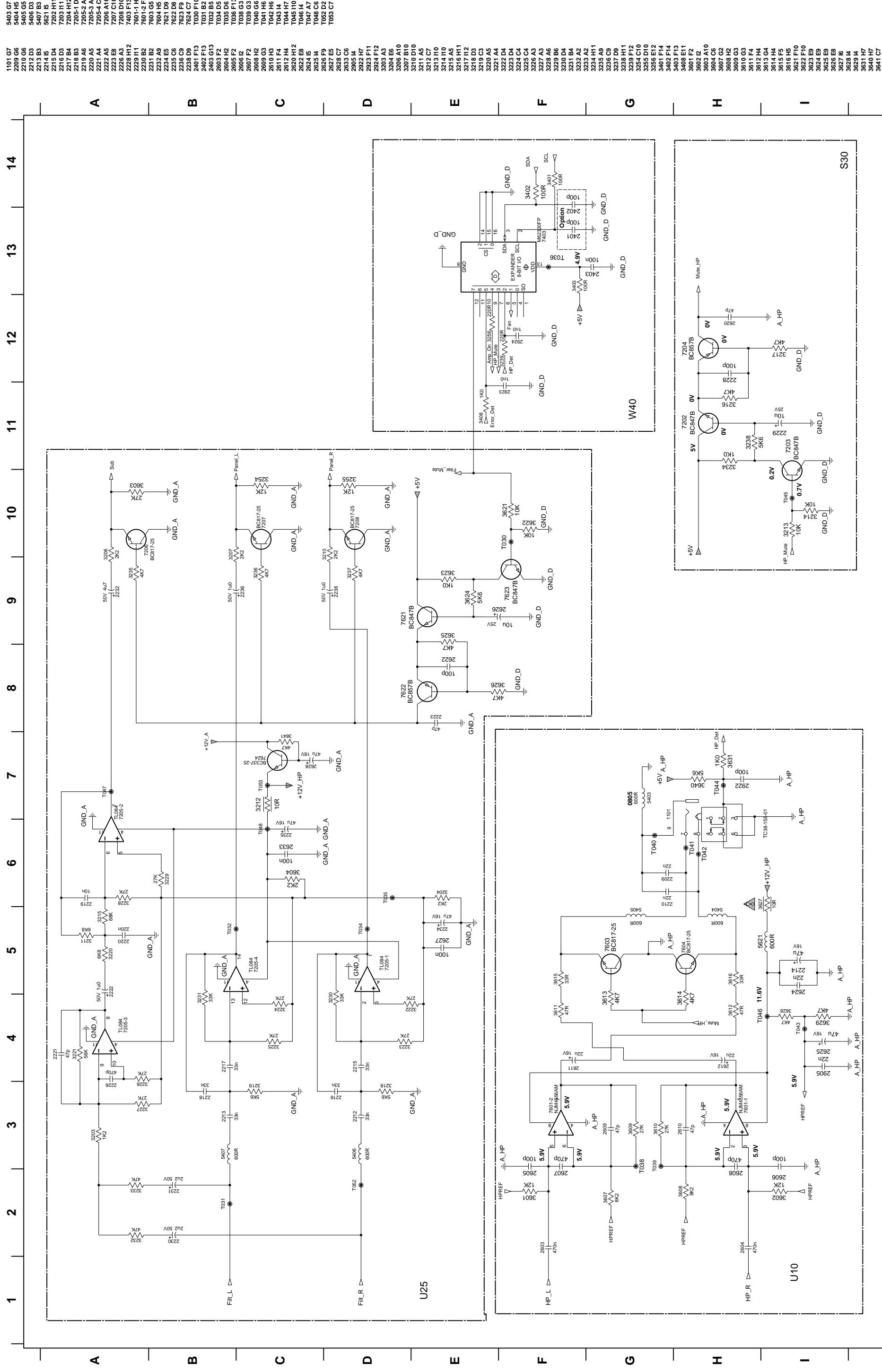


P...provision only

1103-1 F1  
1103-2 E1  
2203 F10  
2204 C6  
2206 B7  
2901 E3  
2902 E3  
2903 F4  
2904 E4  
2906 D6  
2906 E7  
2907 E8  
2511 C4  
2512 C4  
2513 C4  
2514 C4  
2515 D6  
2516 E6  
2517 E2  
2518 E2  
2521 B4  
2522 B4  
2524 B6  
2525 E6  
2529 E6  
2533 D6  
2534 E6  
2541 B9  
2542 H9  
2543 C9  
2544 G9  
2546 E9  
2547 C8  
2548 G8  
2565 D9  
2567 C9  
2568 G9  
2569 D10  
2593 D10  
2594 E10  
2598 E10  
2599 E10  
2597 E7  
2598 F7  
2641 D13  
2642 E13  
2707 F8  
2708 F8  
3501 D3  
3502 E3  
3503 D3  
3504 E3  
3506 E4  
3508 E4  
3507 C9  
3508 G9  
3509 B6  
3510 B6  
3511 C3  
3512 C3  
3513 C3  
3514 C3  
3521 B3  
3522 B3  
3523 B4  
3524 B4  
3525 E7  
3527 E7  
3528 D6  
3528 E6  
3529 D6  
3530 E6  
3543 B9  
3544 H9  
3545 B9  
3546 G9  
3547 C9  
3548 F9  
3548 B9  
3550 G9  
3551 F10  
3552 E10  
3594 D10  
3594 E10  
3595 D4  
3596 E4  
3707 F7  
3708 F7  
5011 D13  
5012 E13  
5015 B7  
5037 D2  
5038 E2  
5042 E4  
5701 D12  
5702 D12  
5704 D13  
5704 E13  
6201 C7  
6202 C7  
6203 F4  
6207 F4  
7201 B6  
7501 D8  
T001 B7  
T002 E10  
T003 D2  
T004 E2  
T005 E2

PB5-AF BOARD - Circuit Diagram (waS7000)

PART 2

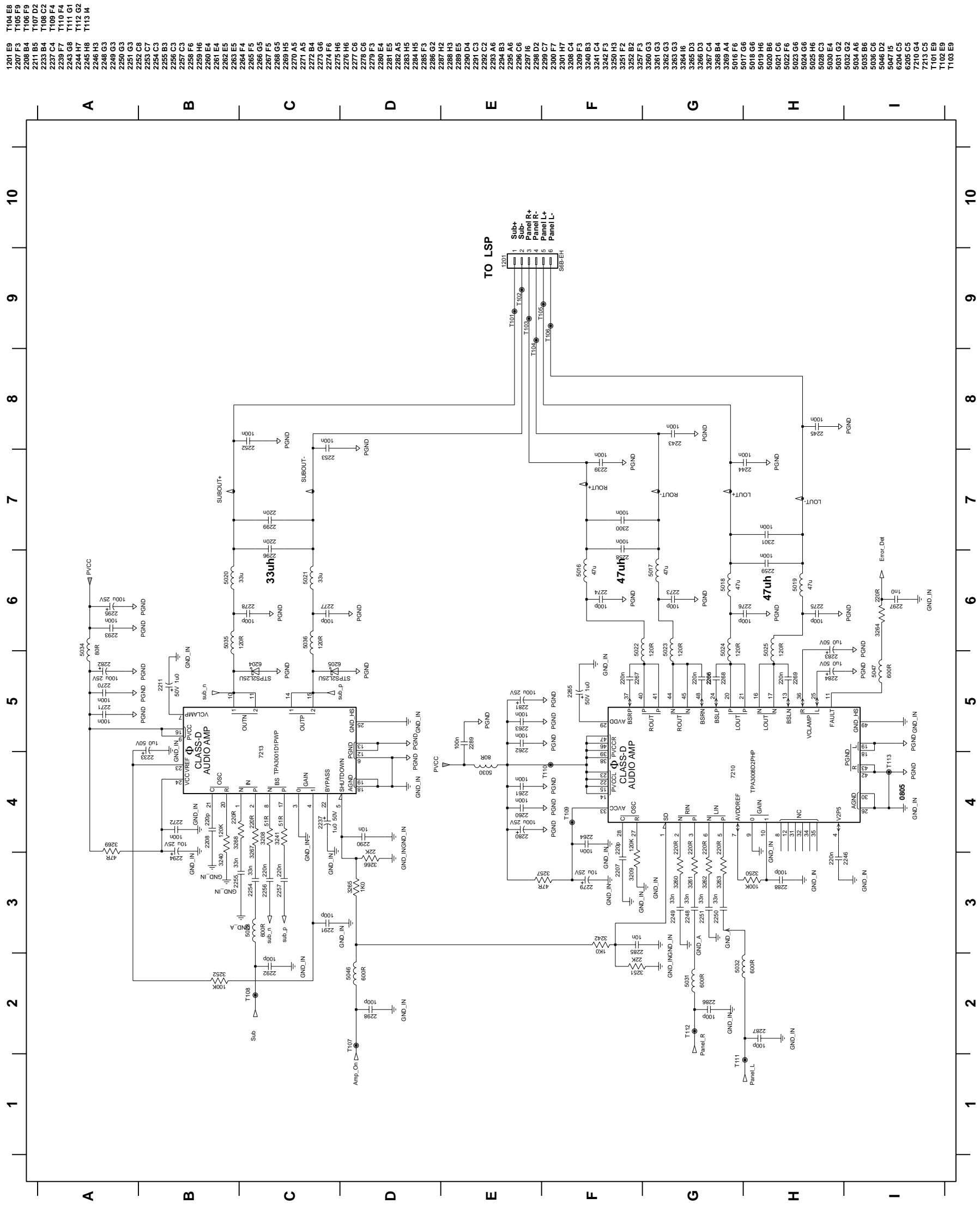


- 1101 G7
- 2209 G6
- 5404 H6
- 5405 G5
- 5406 D3
- 5407 B3
- 5621 I5
- 7202 H11
- 7203 H12
- 7204 H12
- 7205-1 D5
- 7205-2 A6
- 7205-3 A6
- 7205-4 C5
- 7206 A10
- 7207 C10
- 7208 D10
- 7403 F13
- 7601-1 H3
- 7601-2 F3
- 7603 G5
- 7604 H5
- 7621 D9
- 7622 D8
- 7623 F9
- 7624 C7
- 7625 E7
- 7626 F9
- 7627 E5
- 7628 C7
- 7629 F9
- 7630 F10
- 7631 F10
- 7632 E2
- 7633 E2
- 7634 D5
- 7635 D6
- 7636 F13
- 7637 G3
- 7638 G3
- 7639 G3
- 7640 G6
- 7641 H6
- 7642 H6
- 7643 I4
- 7644 H7
- 7645 I10
- 7646 I4
- 7647 H7
- 7648 C6
- 7649 D2
- 7653 C7
- 1101 G7
- 2209 G6
- 5404 H6
- 5405 G5
- 5406 D3
- 5407 B3
- 5621 I5
- 7202 H11
- 7203 H12
- 7204 H12
- 7205-1 D5
- 7205-2 A6
- 7205-3 A6
- 7205-4 C5
- 7206 A10
- 7207 C10
- 7208 D10
- 7403 F13
- 7601-1 H3
- 7601-2 F3
- 7603 G5
- 7604 H5
- 7621 D9
- 7622 D8
- 7623 F9
- 7624 C7
- 7625 E7
- 7626 F9
- 7627 E5
- 7628 C7
- 7629 F9
- 7630 F10
- 7631 F10
- 7632 E2
- 7633 E2
- 7634 D5
- 7635 D6
- 7636 F13
- 7637 G3
- 7638 G3
- 7639 G3
- 7640 G6
- 7641 H6
- 7642 H6
- 7643 I4
- 7644 H7
- 7645 I10
- 7646 I4
- 7647 H7
- 7648 C6
- 7649 D2
- 7653 C7
- 3408 A
- 3409 A
- 3410 A
- 3411 A
- 3412 A
- 3413 A
- 3414 A
- 3415 A
- 3416 A
- 3417 A
- 3418 A
- 3419 A
- 3420 A
- 3421 A
- 3422 A
- 3423 A
- 3424 A
- 3425 A
- 3426 A
- 3427 A
- 3428 A
- 3429 A
- 3430 A
- 3431 A
- 3432 A
- 3433 A
- 3434 A
- 3435 A
- 3436 A
- 3437 A
- 3438 A
- 3439 A
- 3440 A
- 3441 A
- 3442 A
- 3443 A
- 3444 A
- 3445 A
- 3446 A
- 3447 A
- 3448 A
- 3449 A
- 3450 A
- 3451 A
- 3452 A
- 3453 A
- 3454 A
- 3455 A
- 3456 A
- 3457 A
- 3458 A
- 3459 A
- 3460 A
- 3461 A
- 3462 A
- 3463 A
- 3464 A
- 3465 A
- 3466 A
- 3467 A
- 3468 A
- 3469 A
- 3470 A
- 3471 A
- 3472 A
- 3473 A
- 3474 A
- 3475 A
- 3476 A
- 3477 A
- 3478 A
- 3479 A
- 3480 A
- 3481 A
- 3482 A
- 3483 A
- 3484 A
- 3485 A
- 3486 A
- 3487 A
- 3488 A
- 3489 A
- 3490 A
- 3491 A
- 3492 A
- 3493 A
- 3494 A
- 3495 A
- 3496 A
- 3497 A
- 3498 A
- 3499 A
- 3500 A



PB5-AF BOARD - Circuit Diagram (waS7000)

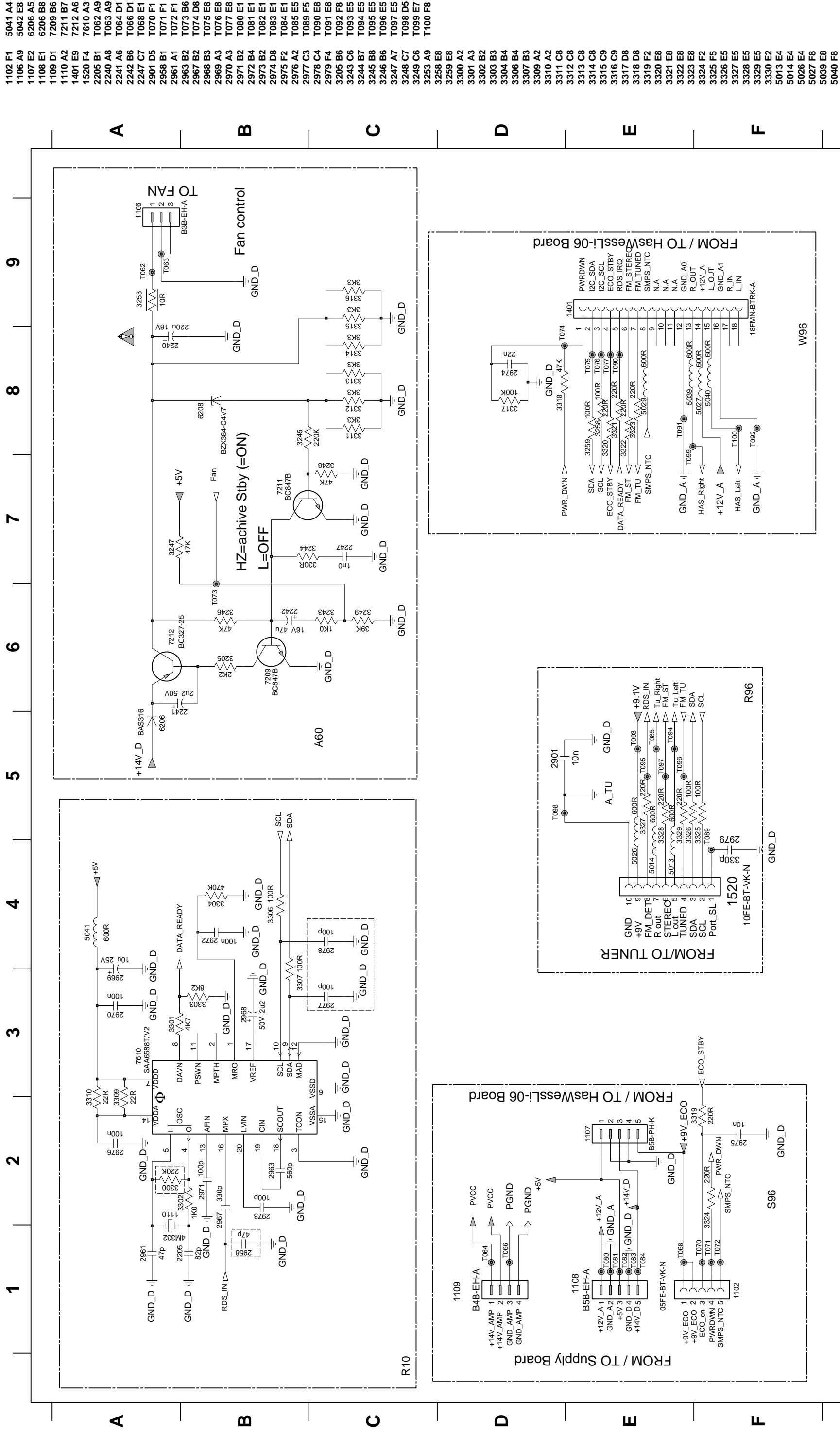
PART 3



- 1201 E9 T104 E8
- 2207 F3 T105 F9
- 2208 B4 T106 F9
- 2211 B5 T107 D2
- 2233 B4 T108 C2
- 2237 C4 T109 F4
- 2239 F7 T110 F4
- 2243 G8 T111 G1
- 2244 H7 T112 G2
- 2245 H8 T113 I4
- 2246 H3
- 2247 H3
- 2248 G3
- 2249 G3
- 2250 G3
- 2251 G3
- 2252 C8
- 2253 C7
- 2254 C3
- 2255 B3
- 2256 C3
- 2257 C3
- 2258 F6
- 2259 H6
- 2260 E4
- 2261 E4
- 2262 E5
- 2263 E5
- 2264 F5
- 2265 F5
- 2266 G5
- 2267 F5
- 2268 G5
- 2269 H5
- 2270 A5
- 2271 A5
- 2272 B4
- 2273 G6
- 2274 F6
- 2275 H6
- 2276 H6
- 2277 C6
- 2278 F5
- 2279 F5
- 2280 E4
- 2281 E5
- 2282 A5
- 2283 H5
- 2284 H5
- 2285 F3
- 2286 G2
- 2287 H2
- 2288 H3
- 2289 E5
- 2290 D4
- 2291 C3
- 2292 E2
- 2293 A2
- 2294 B3
- 2295 A6
- 2296 C6
- 2297 I6
- 2298 D2
- 2299 C7
- 2300 F7
- 2301 H7
- 3208 C4
- 3209 F3
- 3240 B3
- 3241 C4
- 3242 F3
- 3243 F3
- 3251 F2
- 3252 B2
- 3257 F3
- 3260 G3
- 3261 G3
- 3262 G3
- 3263 G3
- 3264 I6
- 3265 D3
- 3266 D3
- 3267 C4
- 3268 B4
- 3269 A4
- 5017 C6
- 5018 G6
- 5019 H6
- 5020 B6
- 5021 C6
- 5022 F6
- 5023 G6
- 5024 G6
- 5025 H6
- 5028 C3
- 5030 E4
- 5031 G2
- 5032 G2
- 5034 A6
- 5035 E6
- 5036 C2
- 5038 C2
- 5047 I5
- 6204 C5
- 6205 C5
- 7210 G4
- 7213 C5
- T101 E9
- T102 E9
- T103 E9

PB5-AF BOARD - Circuit Diagram (waS7000)

PART 4



- 1102 F1
  - 5041 A4
  - 3253 A9
- 1106 A9
  - 5042 E8
  - 3258 E8
- 1107 E2
  - 6206 A5
  - 3300 A2
- 1108 E1
  - 6206 B8
  - 3301 A3
- 1109 D1
  - 7209 B6
  - 3302 B2
- 1110 A2
  - 7211 B7
  - 3303 B3
- 1401 E9
  - 7212 A6
  - 3304 B4
- 1520 F4
  - 7610 A3
  - 3306 B4
- 2205 B1
  - T063 A9
  - 3307 B3
- 2240 A8
  - T063 A9
  - 3309 A2
- 2241 A6
  - T064 D1
  - 3310 A2
- 2242 B6
  - T066 D1
  - 3311 C8
- 2247 C7
  - T068 E1
  - 3312 C8
- 2901 D5
  - T070 F1
  - 3313 C8
- 2958 B1
  - T071 F1
  - 3314 C8
- 2961 A1
  - T072 F1
  - 3315 C9
- 2963 B2
  - T073 B6
  - 3316 C9
- 2967 B2
  - T074 D8
  - 3317 D8
- 2968 B3
  - T075 E8
  - 3318 D8
- 2969 A3
  - T076 E8
  - 3319 F2
- 2970 A3
  - T077 E8
  - 3320 E8
- 2971 B2
  - T080 E1
  - 3321 E8
- 2972 B4
  - T081 E1
  - 3322 E8
- 2973 B2
  - T082 E1
  - 3323 E8
- 2974 D8
  - T083 E1
  - 3324 F2
- 2975 F2
  - T084 E1
  - 3325 F5
- 2976 A2
  - T085 E5
  - 3326 E5
- 2977 C3
  - T089 F5
  - 3327 E5
- 2978 C4
  - T090 E8
  - 3328 E5
- 2979 F4
  - T091 E8
  - 3329 E5
- 3205 B6
  - T092 F8
  - 5013 E4
- 3243 C6
  - T093 E5
  - 5014 E4
- 3244 B7
  - T094 E5
  - 5026 E4
- 3245 B8
  - T095 E5
  - 5027 F8
- 3246 B6
  - T096 E5
  - 5039 E8
- 3247 A7
  - T097 E5
  - 5040 F8
- 3248 C7
  - T098 D5
  -
- 3249 C6
  - T099 E7
  -
- 3253 A9
  - T100 F8
  -







# HAS MODULE

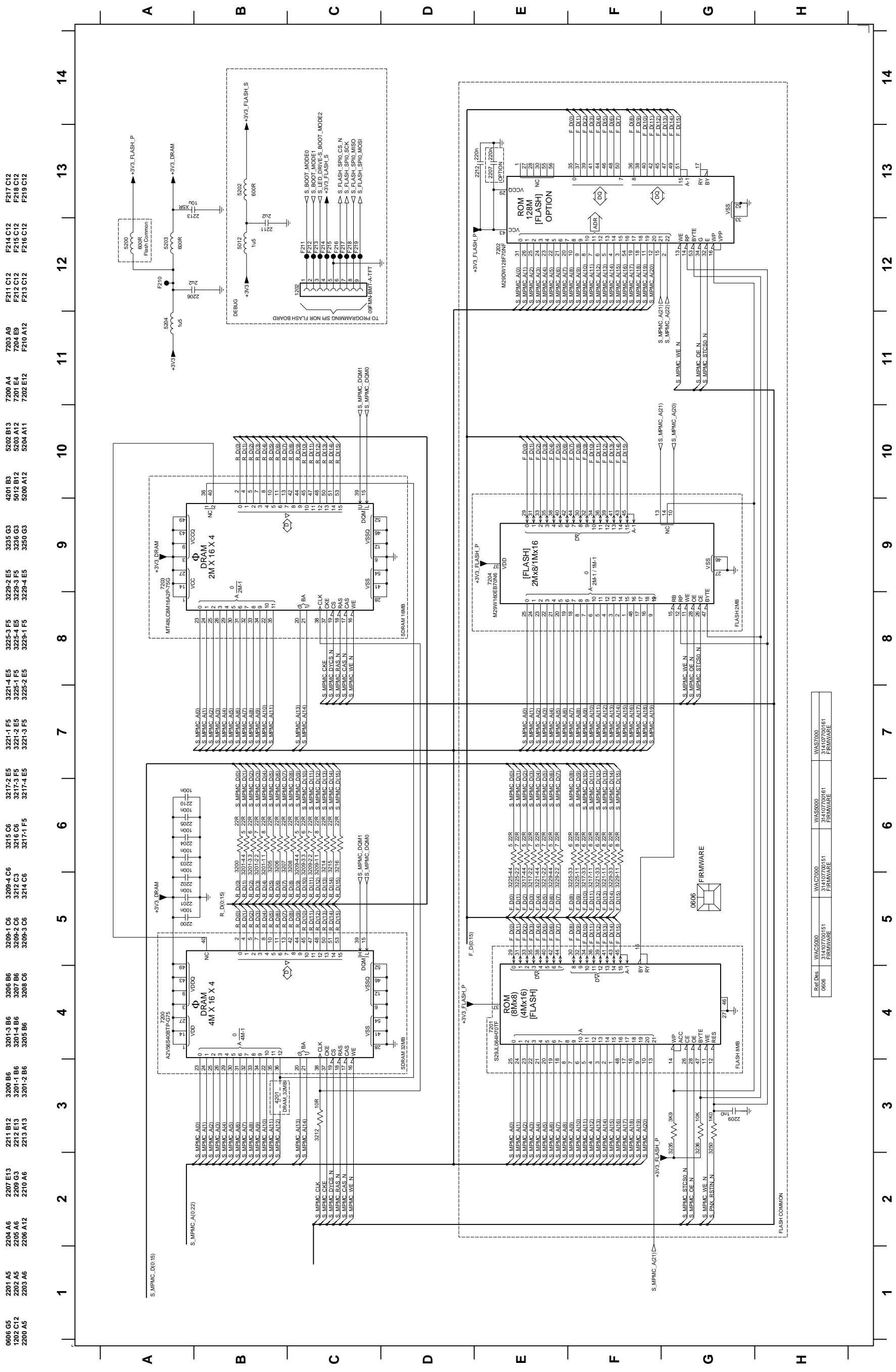
This module can only be repaired on component level at authorized service workshop.

In case of defects please replace the entire board resp. the WiFi Card.

- 3141 078 01481 .....HAS Printed Board Assembly - Europe
- 3141 078 02031 .....HAS Printed Board Assembly - Nafta
- 2822 065 01728 .....WiFi Card Mini PCI



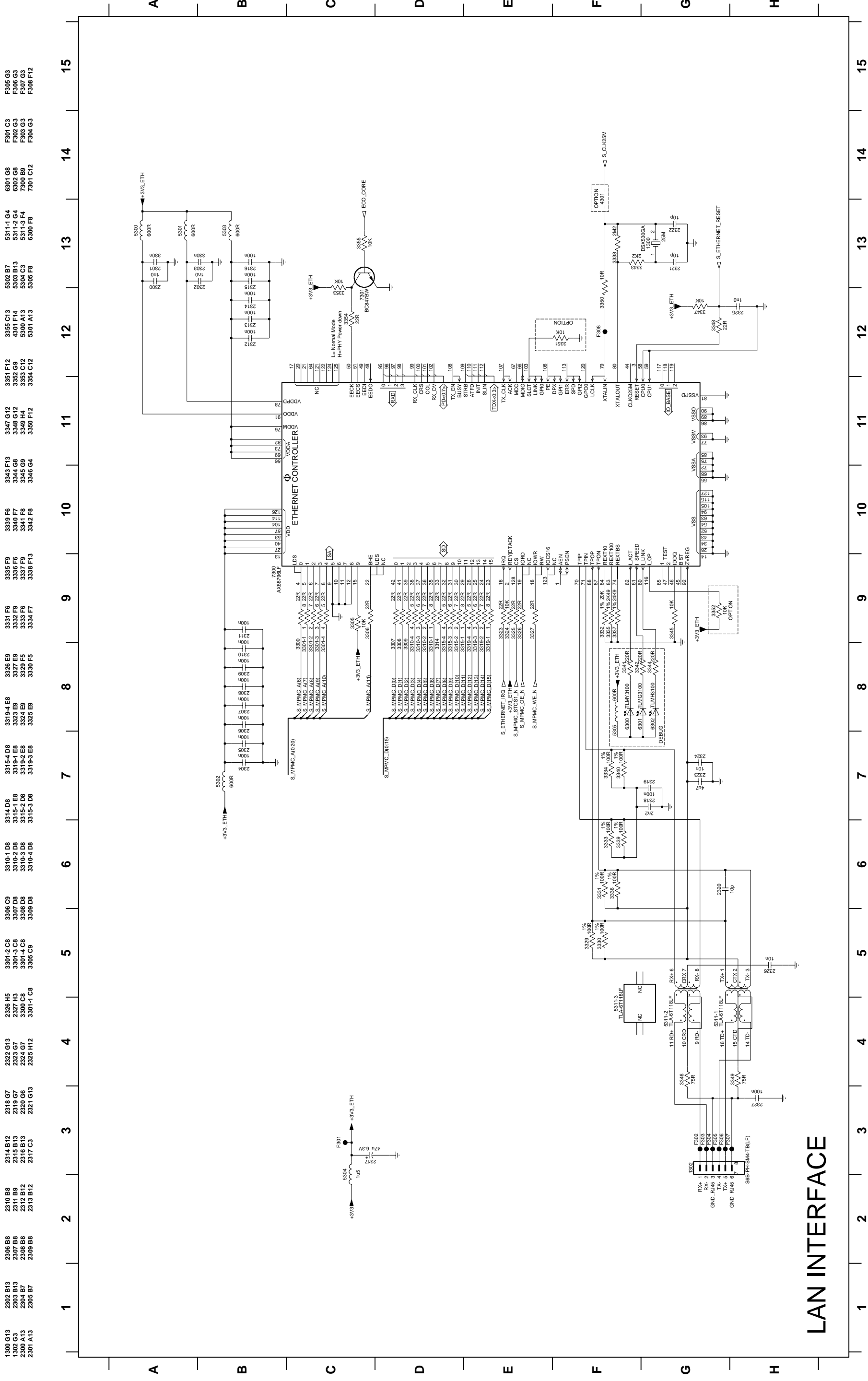
CIRCUIT DIAGRAM - Part 2



FLASH & SDRAM

Ref Des	WAC5000	WAC7000	WAS5000	WAS7000
0606	314107700151 FIRMWARE	314107700151 FIRMWARE	314107700151 FIRMWARE	314107700151 FIRMWARE

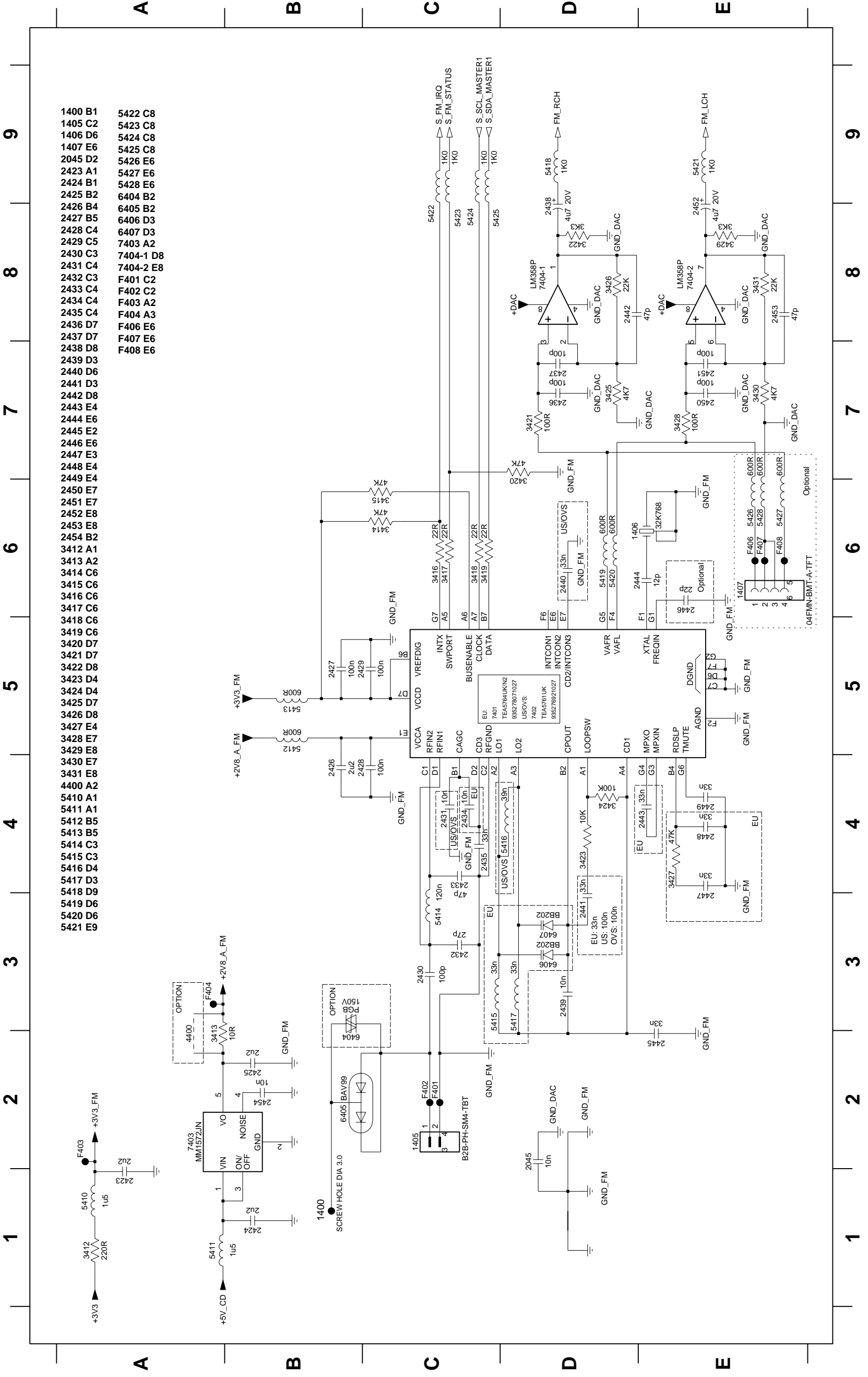
CIRCUIT DIAGRAM - Part 3



LAN INTERFACE



CIRCUIT DIAGRAM - Part 4

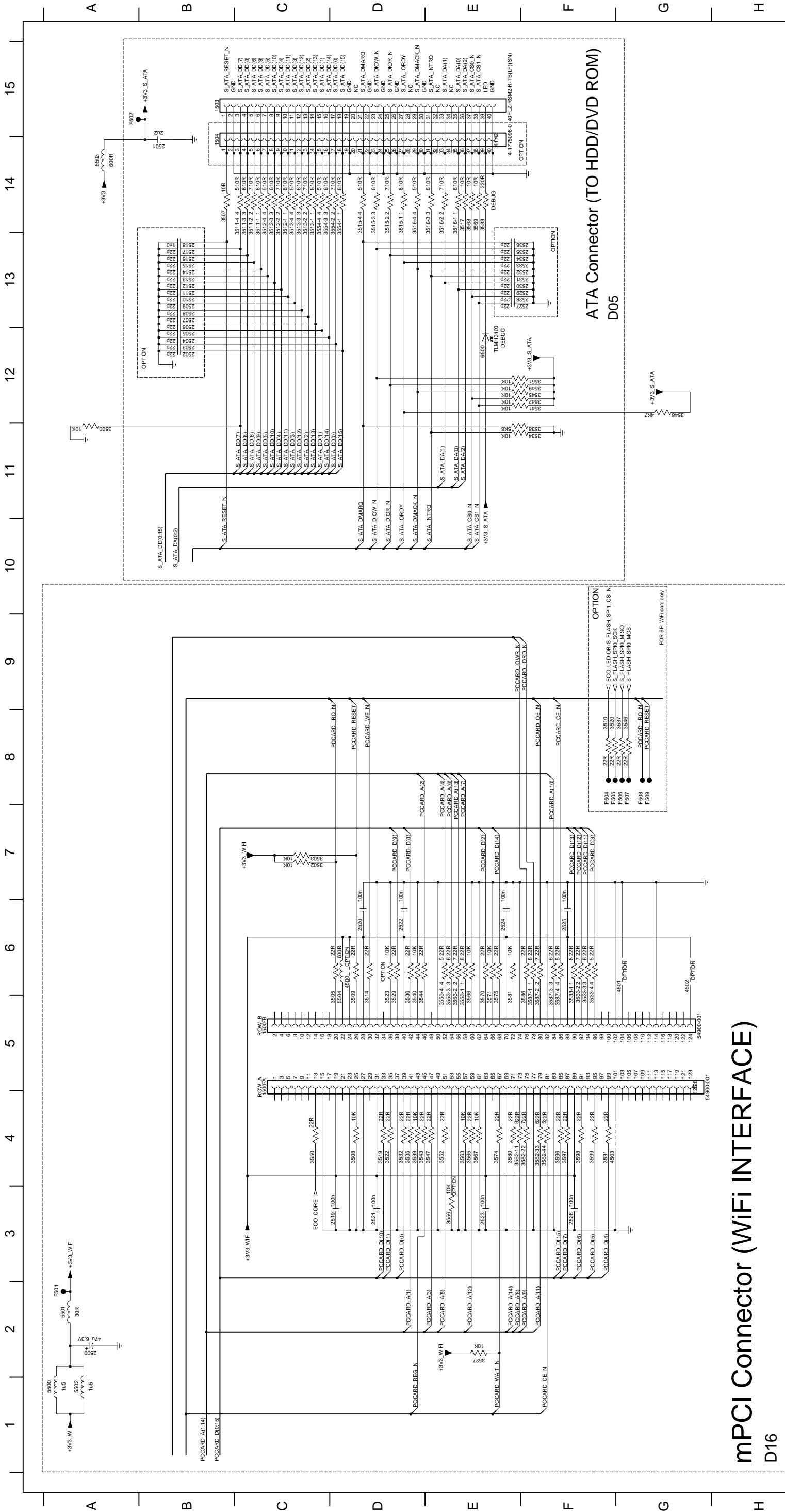


TUNER

- 1400 B1
- 1405 C2
- 1406 D6
- 1407 E6
- 2045 D2
- 2423 A1
- 2424 B1
- 2425 B2
- 2426 B4
- 2427 B5
- 2428 C4
- 2429 C5
- 2430 C3
- 2431 C4
- 2432 C3
- 2433 C4
- 2434 C4
- 2435 C4
- 2436 D7
- 2437 D7
- 2438 D8
- 2439 D3
- 2440 D6
- 2441 D3
- 2442 D8
- 2443 E4
- 2444 E6
- 2445 E2
- 2446 E6
- 2447 E3
- 2448 E4
- 2449 E4
- 2450 E7
- 2451 E7
- 2452 E8
- 2453 E8
- 2454 B2
- 3412 A1
- 3413 A2
- 3414 C6
- 3415 C6
- 3416 C6
- 3417 C6
- 3418 C6
- 3419 C6
- 3420 D7
- 3421 D7
- 3422 D8
- 3423 D4
- 3424 D4
- 3425 D7
- 3426 D8
- 3427 E4
- 3428 E7
- 3429 E8
- 3430 E7
- 3431 E8
- 4400 A2
- 5410 A1
- 5411 A1
- 5412 B5
- 5413 B5
- 5414 C3
- 5415 C3
- 5416 D4
- 5417 D3
- 5418 D9
- 5419 D6
- 5420 D6
- 5421 E9
- 5422 C8
- 5423 C8
- 5424 C8
- 5425 C8
- 5426 E6
- 5427 E6
- 5428 E6
- 6404 B2
- 6405 B2
- 6406 D3
- 7403 A2
- 7404-1 D8
- 7404-2 E8
- F401 C2
- F402 C2
- F403 A2
- F404 A3
- F406 E6
- F407 E6
- F408 E6

CIRCUIT DIAGRAM - Part 5

1500-A C5	2501 B14	2506 B13	2511 B13	2516 B13	2521 D3	2526 F3	2531 E13	2536 E13	2541 E13	2546 B13	2551 B13	2556 B12	2561 B13	2566 B12	2571 B13	2576 B13	2581 B13	2586 B13	2591 B13	2596 B13	2500 A2	
5504 D5	5505 A1	5506 B13	5507 B13	5508 B13	5509 B13	5510 B13	5511 B13	5512 B13	5513 B13	5514 B13	5515 B13	5516 B13	5517 B13	5518 B13	5519 B13	5520 B13	5521 B13	5522 B13	5523 B13	5524 B13	5525 B13	5500 A2
5504 D5	5505 A1	5506 B13	5507 B13	5508 B13	5509 B13	5510 B13	5511 B13	5512 B13	5513 B13	5514 B13	5515 B13	5516 B13	5517 B13	5518 B13	5519 B13	5520 B13	5521 B13	5522 B13	5523 B13	5524 B13	5525 B13	5500 A2
5504 D5	5505 A1	5506 B13	5507 B13	5508 B13	5509 B13	5510 B13	5511 B13	5512 B13	5513 B13	5514 B13	5515 B13	5516 B13	5517 B13	5518 B13	5519 B13	5520 B13	5521 B13	5522 B13	5523 B13	5524 B13	5525 B13	5500 A2
5504 D5	5505 A1	5506 B13	5507 B13	5508 B13	5509 B13	5510 B13	5511 B13	5512 B13	5513 B13	5514 B13	5515 B13	5516 B13	5517 B13	5518 B13	5519 B13	5520 B13	5521 B13	5522 B13	5523 B13	5524 B13	5525 B13	5500 A2

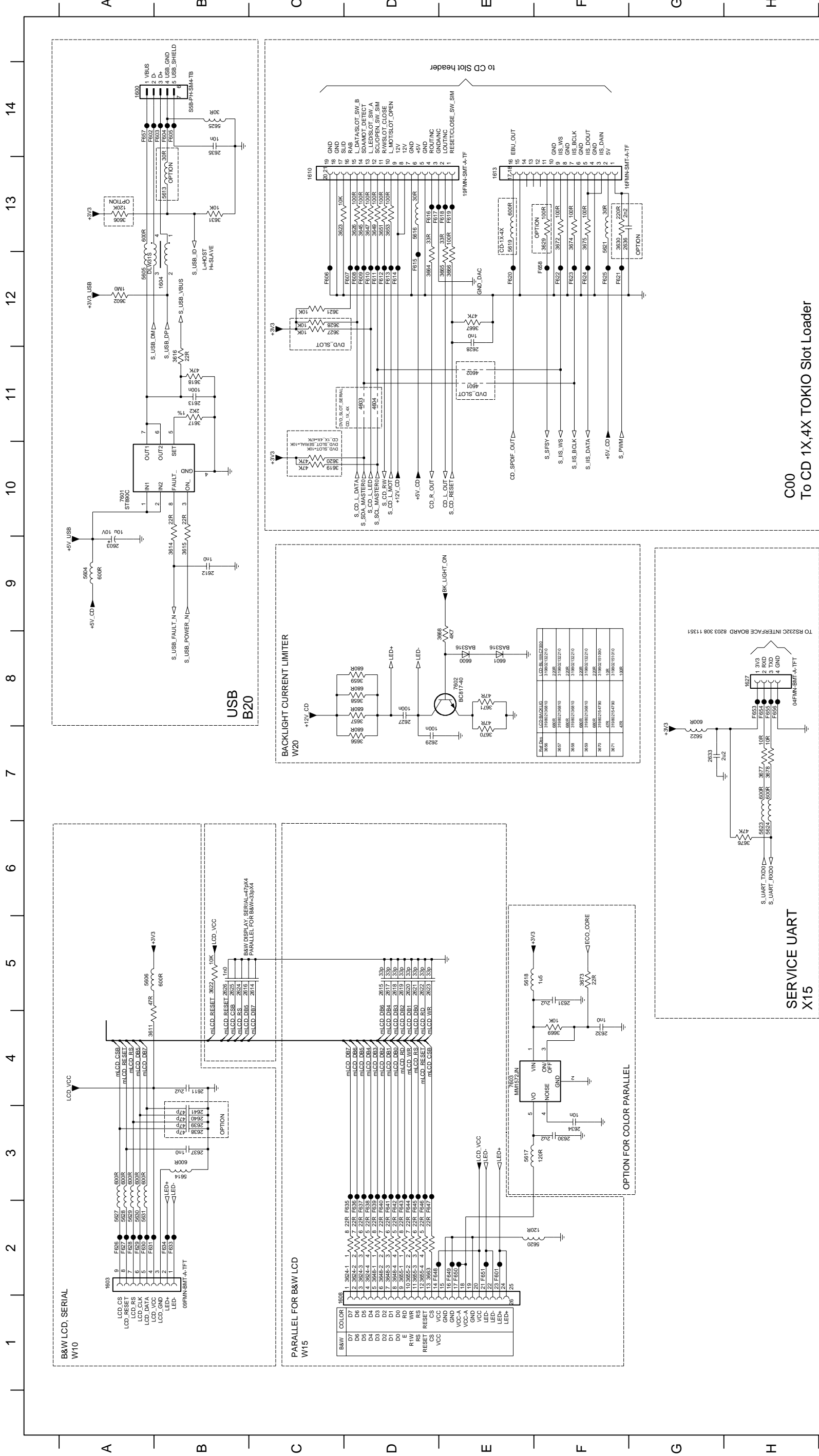


mPCI Connector (Wi-Fi INTERFACE)  
D16

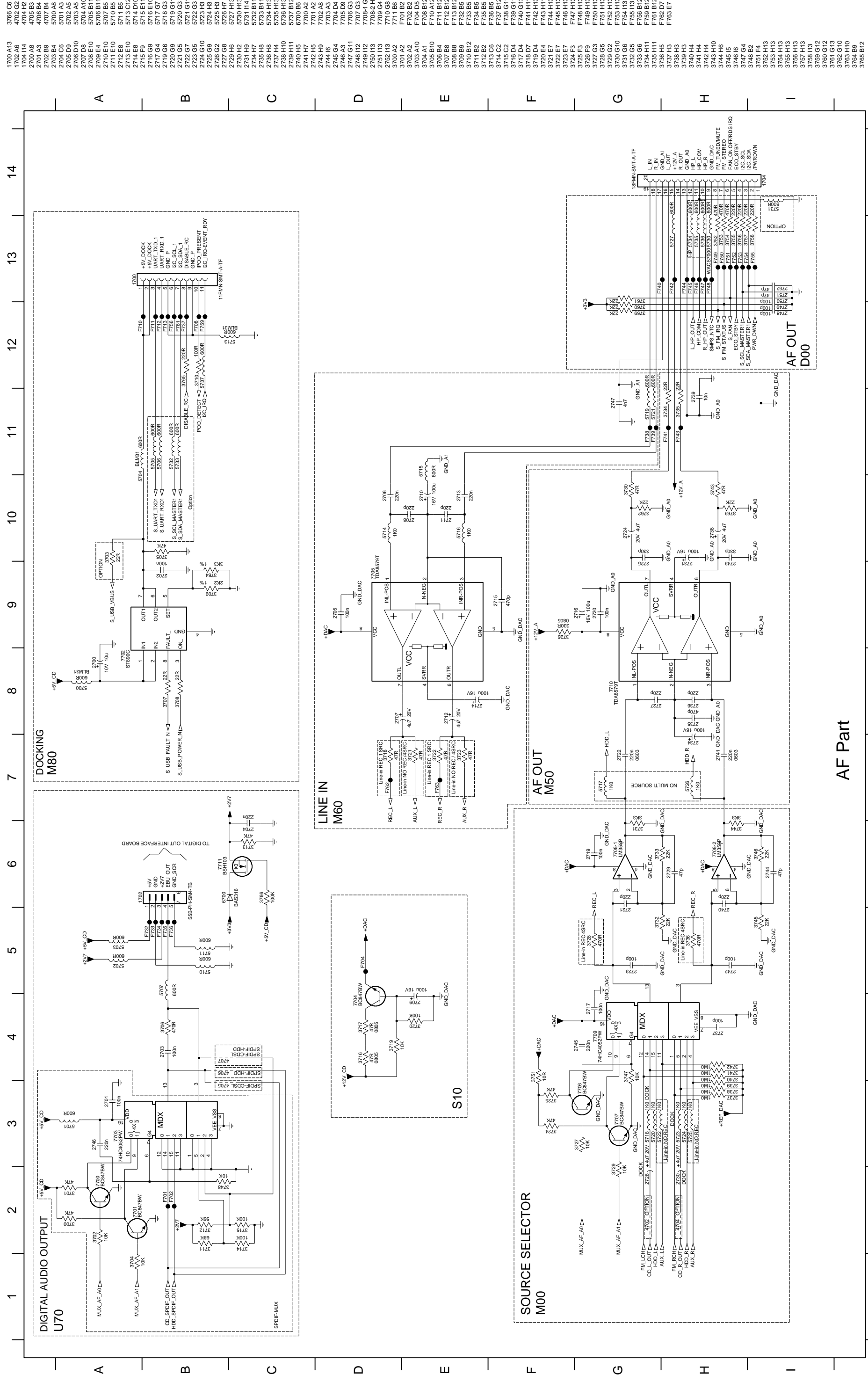
ATA Connector (TO HDD/DVD ROM)  
D05

CIRCUIT DIAGRAM - Part 6

- 1600 A14
- 1603 A2
- 1608 C1
- 1610 C13
- 1613 E13
- 1627 H8
- 2803 A9
- 2811 B4
- 2812 B9
- 2813 B11
- 2814 C5
- 2611 D5
- 2615 D5
- 2622 D5
- 2623 D5
- 2628 B5
- 2628 D5
- 2629 D7
- 2630 F3
- 2631 F5
- 2632 F4
- 2633 G7
- 2634 F3
- 2635 B14
- 2636 F13
- 2637 B3
- 2638 B3
- 2639 B3
- 2640 B3
- 2641 B3
- 2642 B11
- 2643 A12
- 2643 B3
- 2644 C5
- 2645 B9
- 2646 B3
- 2647 B11
- 2648 A12
- 2648 B3
- 2649 B11
- 2650 A12
- 2650 B3
- 2651 A12
- 2651 B3
- 2652 B5
- 2652 D5
- 2653 A9
- 2653 B11
- 2653 C12
- 2653 D13
- 2654 B3
- 2654 D2
- 2655 D2
- 2656 D2
- 2657 D8
- 2658 E11
- 2659 D7
- 2659 F3
- 2659 F5
- 2660 A12
- 2660 B3
- 2661 A12
- 2661 B3
- 2662 A12
- 2662 B3
- 2663 D2
- 2664 B3
- 2664 D13
- 2665 D13
- 2666 C12
- 2666 D2
- 2667 D8
- 2668 D8
- 2669 F4
- 2670 E7
- 2671 E8
- 2672 F13
- 2673 F5
- 2674 F13
- 2675 F13
- 2676 H6
- 2677 H7
- 2678 H7
- 2679 F13
- 2680 C10
- 2681 B9
- 2682 B3
- 2683 F3
- 2684 B3
- 2685 B11
- 2686 A12
- 2686 B3
- 2687 D8
- 2688 D8
- 2689 D2
- 2690 C10
- 2691 C12
- 2692 B5
- 2693 C13
- 2694 D2
- 2695 D2
- 2696 D2
- 2697 D2
- 2698 D2
- 2699 D2
- 2700 D2
- 2701 D2
- 2702 D2
- 2703 D2
- 2704 D2
- 2705 D2
- 2706 D2
- 2707 D2
- 2708 D2
- 2709 D2
- 2710 D2
- 2711 D2
- 2712 D2
- 2713 D2
- 2714 D2
- 2715 D2
- 2716 D2
- 2717 D2
- 2718 D2
- 2719 D2
- 2720 D2
- 2721 D2
- 2722 D2
- 2723 D2
- 2724 D2
- 2725 D2
- 2726 D2
- 2727 D2
- 2728 D2
- 2729 D2
- 2730 D2
- 2731 D2
- 2732 D2
- 2733 D2
- 2734 D2
- 2735 D2
- 2736 D2
- 2737 D2
- 2738 D2
- 2739 D2
- 2740 D2
- 2741 D2
- 2742 D2
- 2743 D2
- 2744 D2
- 2745 D2
- 2746 D2
- 2747 D2
- 2748 D2
- 2749 D2
- 2750 D2
- 2751 D2
- 2752 D2
- 2753 D2
- 2754 D2
- 2755 D2
- 2756 D2
- 2757 D2
- 2758 D2
- 2759 D2
- 2760 D2
- 2761 D2
- 2762 D2
- 2763 D2
- 2764 D2
- 2765 D2
- 2766 D2
- 2767 D2
- 2768 D2
- 2769 D2
- 2770 D2
- 2771 D2
- 2772 D2
- 2773 D2
- 2774 D2
- 2775 D2
- 2776 D2
- 2777 D2
- 2778 D2
- 2779 D2
- 2780 D2
- 2781 D2
- 2782 D2
- 2783 D2
- 2784 D2
- 2785 D2
- 2786 D2
- 2787 D2
- 2788 D2
- 2789 D2
- 2790 D2
- 2791 D2
- 2792 D2
- 2793 D2
- 2794 D2
- 2795 D2
- 2796 D2
- 2797 D2
- 2798 D2
- 2799 D2
- 2800 D2
- 2801 D2
- 2802 D2
- 2803 D2
- 2804 D2
- 2805 D2
- 2806 D2
- 2807 D2
- 2808 D2
- 2809 D2
- 2810 D2
- 2811 D2
- 2812 D2
- 2813 D2
- 2814 D2
- 2815 D2
- 2816 D2
- 2817 D2
- 2818 D2
- 2819 D2
- 2820 D2
- 2821 D2
- 2822 D2
- 2823 D2
- 2824 D2
- 2825 D2
- 2826 D2
- 2827 D2
- 2828 D2
- 2829 D2
- 2830 D2
- 2831 D2
- 2832 D2
- 2833 D2
- 2834 D2
- 2835 D2
- 2836 D2
- 2837 D2
- 2838 D2
- 2839 D2
- 2840 D2
- 2841 D2
- 2842 D2
- 2843 D2
- 2844 D2
- 2845 D2
- 2846 D2
- 2847 D2
- 2848 D2
- 2849 D2
- 2850 D2
- 2851 D2
- 2852 D2
- 2853 D2
- 2854 D2
- 2855 D2
- 2856 D2
- 2857 D2
- 2858 D2
- 2859 D2
- 2860 D2
- 2861 D2
- 2862 D2
- 2863 D2
- 2864 D2
- 2865 D2
- 2866 D2
- 2867 D2
- 2868 D2
- 2869 D2
- 2870 D2
- 2871 D2
- 2872 D2
- 2873 D2
- 2874 D2
- 2875 D2
- 2876 D2
- 2877 D2
- 2878 D2
- 2879 D2
- 2880 D2
- 2881 D2
- 2882 D2
- 2883 D2
- 2884 D2
- 2885 D2
- 2886 D2
- 2887 D2
- 2888 D2
- 2889 D2
- 2890 D2
- 2891 D2
- 2892 D2
- 2893 D2
- 2894 D2
- 2895 D2
- 2896 D2
- 2897 D2
- 2898 D2
- 2899 D2
- 2900 D2
- 2901 D2
- 2902 D2
- 2903 D2
- 2904 D2
- 2905 D2
- 2906 D2
- 2907 D2
- 2908 D2
- 2909 D2
- 2910 D2
- 2911 D2
- 2912 D2
- 2913 D2
- 2914 D2
- 2915 D2
- 2916 D2
- 2917 D2
- 2918 D2
- 2919 D2
- 2920 D2
- 2921 D2
- 2922 D2
- 2923 D2
- 2924 D2
- 2925 D2
- 2926 D2
- 2927 D2
- 2928 D2
- 2929 D2
- 2930 D2
- 2931 D2
- 2932 D2
- 2933 D2
- 2934 D2
- 2935 D2
- 2936 D2
- 2937 D2
- 2938 D2
- 2939 D2
- 2940 D2
- 2941 D2
- 2942 D2
- 2943 D2
- 2944 D2
- 2945 D2
- 2946 D2
- 2947 D2
- 2948 D2
- 2949 D2
- 2950 D2
- 2951 D2
- 2952 D2
- 2953 D2
- 2954 D2
- 2955 D2
- 2956 D2
- 2957 D2
- 2958 D2
- 2959 D2
- 2960 D2
- 2961 D2
- 2962 D2
- 2963 D2
- 2964 D2
- 2965 D2
- 2966 D2
- 2967 D2
- 2968 D2
- 2969 D2
- 2970 D2
- 2971 D2
- 2972 D2
- 2973 D2
- 2974 D2
- 2975 D2
- 2976 D2
- 2977 D2
- 2978 D2
- 2979 D2
- 2980 D2
- 2981 D2
- 2982 D2
- 2983 D2
- 2984 D2
- 2985 D2
- 2986 D2
- 2987 D2
- 2988 D2
- 2989 D2
- 2990 D2
- 2991 D2
- 2992 D2
- 2993 D2
- 2994 D2
- 2995 D2
- 2996 D2
- 2997 D2
- 2998 D2
- 2999 D2
- 3000 D2



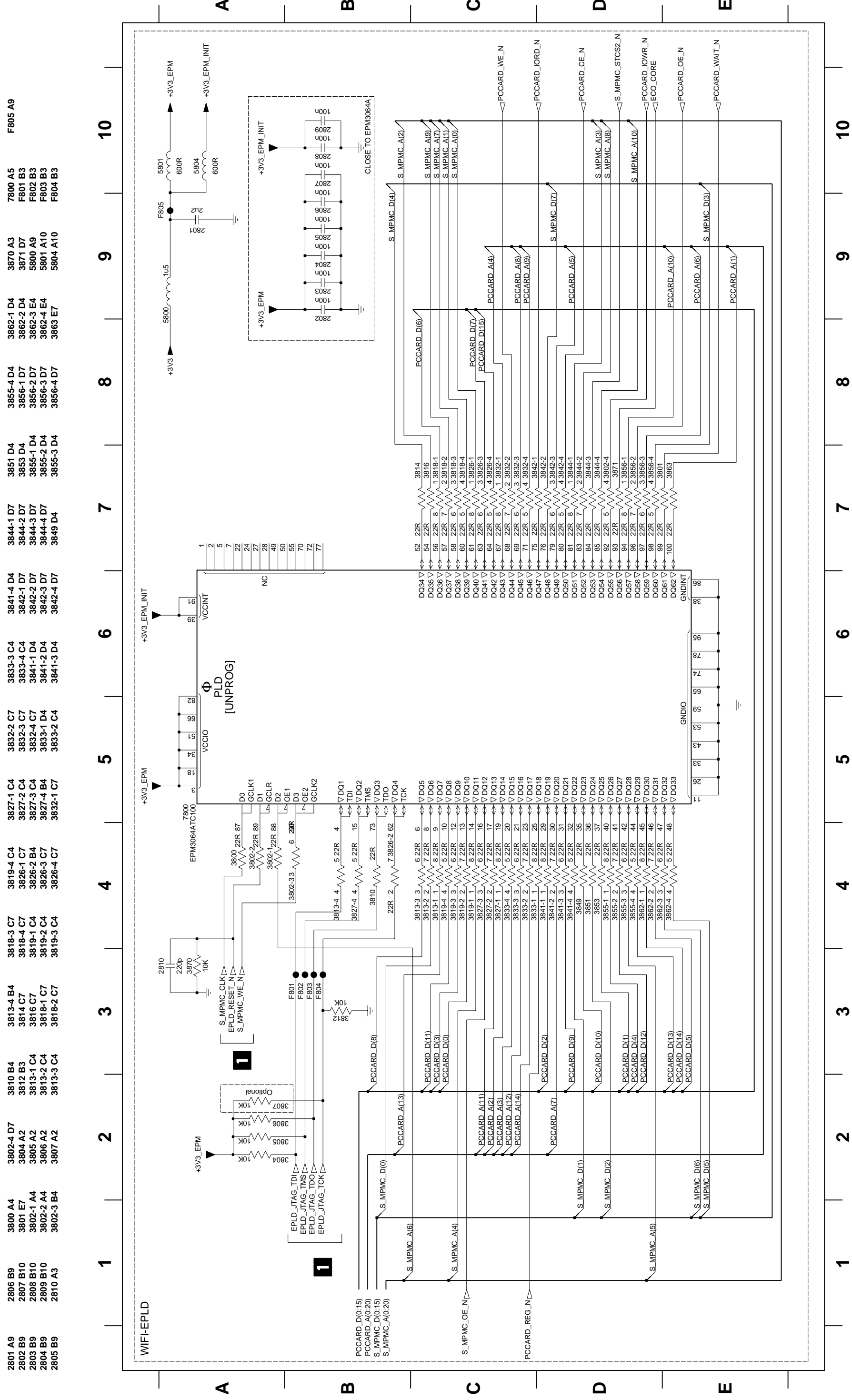
CIRCUIT DIAGRAM - Part 7



- 3766 C6
- 4702 G2
- 4704 H4
- 4705 B3
- 4706 B4
- 4707 B4
- 4708 B4
- 4709 B4
- 4710 B4
- 4711 B4
- 4712 B4
- 4713 B4
- 4714 B4
- 4715 B4
- 4716 B4
- 4717 B4
- 4718 B4
- 4719 B4
- 4720 B4
- 4721 B4
- 4722 B4
- 4723 B4
- 4724 B4
- 4725 B4
- 4726 B4
- 4727 B4
- 4728 B4
- 4729 B4
- 4730 B4
- 4731 B4
- 4732 B4
- 4733 B4
- 4734 B4
- 4735 B4
- 4736 B4
- 4737 B4
- 4738 B4
- 4739 B4
- 4740 B4
- 4741 B4
- 4742 B4
- 4743 B4
- 4744 B4
- 4745 B4
- 4746 B4
- 4747 B4
- 4748 B4
- 4749 B4
- 4750 B4
- 4751 B4
- 4752 B4
- 4753 B4
- 4754 B4
- 4755 B4
- 4756 B4
- 4757 B4
- 4758 B4
- 4759 B4
- 4760 B4
- 4761 B4
- 4762 B4
- 4763 B4
- 4764 B4
- 4765 B4
- 4766 B4
- 4767 B4
- 4768 B4
- 4769 B4
- 4770 B4
- 4771 B4
- 4772 B4
- 4773 B4
- 4774 B4
- 4775 B4
- 4776 B4
- 4777 B4
- 4778 B4
- 4779 B4
- 4780 B4
- 4781 B4
- 4782 B4
- 4783 B4
- 4784 B4
- 4785 B4
- 4786 B4
- 4787 B4
- 4788 B4
- 4789 B4
- 4790 B4
- 4791 B4
- 4792 B4
- 4793 B4
- 4794 B4
- 4795 B4
- 4796 B4
- 4797 B4
- 4798 B4
- 4799 B4
- 4800 B4

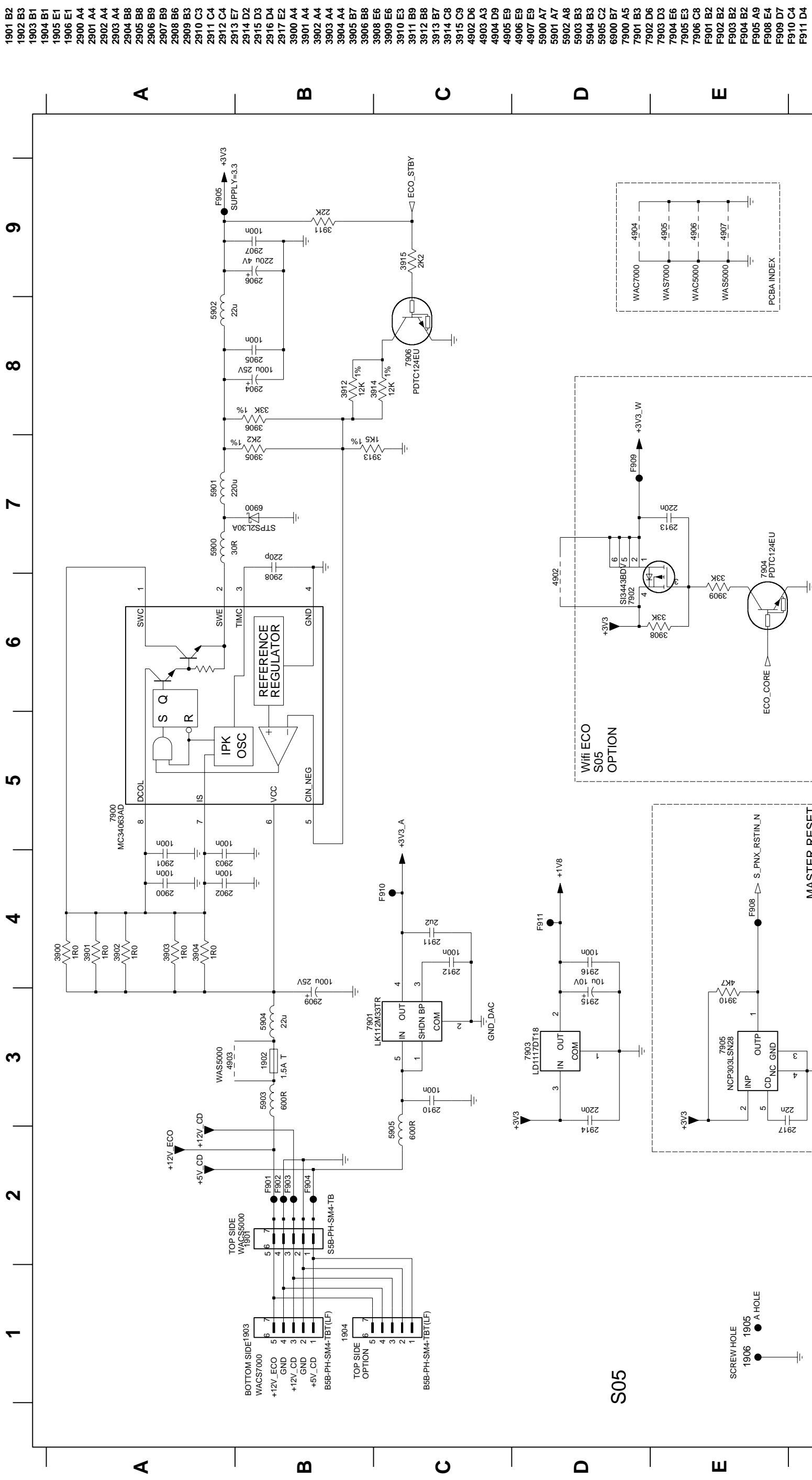
AF Part

CIRCUIT DIAGRAM - Part 8



PLD

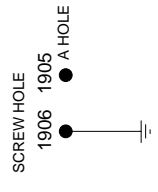
CIRCUIT DIAGRAM - Part 9



SUPPLY

- 1901 B2
- 1902 B3
- 1903 B1
- 1904 B1
- 1905 E1
- 1906 E1
- 2900 A4
- 2901 A4
- 2902 A4
- 2903 A4
- 2904 B8
- 2905 B8
- 2906 B9
- 2907 B9
- 2908 B6
- 2909 B3
- 2910 C3
- 2911 C4
- 2912 C4
- 2913 E7
- 2914 D2
- 2915 D3
- 2916 D4
- 2917 E2
- 3900 A4
- 3901 A4
- 3902 A4
- 3903 A4
- 3904 A4
- 3905 B7
- 3906 B8
- 3908 E6
- 3909 E6
- 3910 E3
- 3911 B9
- 3912 B8
- 3913 B7
- 3914 C8
- 3915 C9
- 4902 D6
- 4903 A3
- 4904 D9
- 4905 E9
- 4906 E9
- 4907 E9
- 5900 A7
- 5901 A7
- 5902 A8
- 5903 B3
- 5904 B3
- 5905 C2
- 6900 B7
- 7900 A5
- 7901 B3
- 7902 D6
- 7903 D3
- 7904 E6
- 7905 E3
- 7906 C8
- F901 B2
- F902 B2
- F903 B2
- F904 B2
- F905 A9
- F908 E4
- F909 D7
- F910 C4
- F911 D4

S05





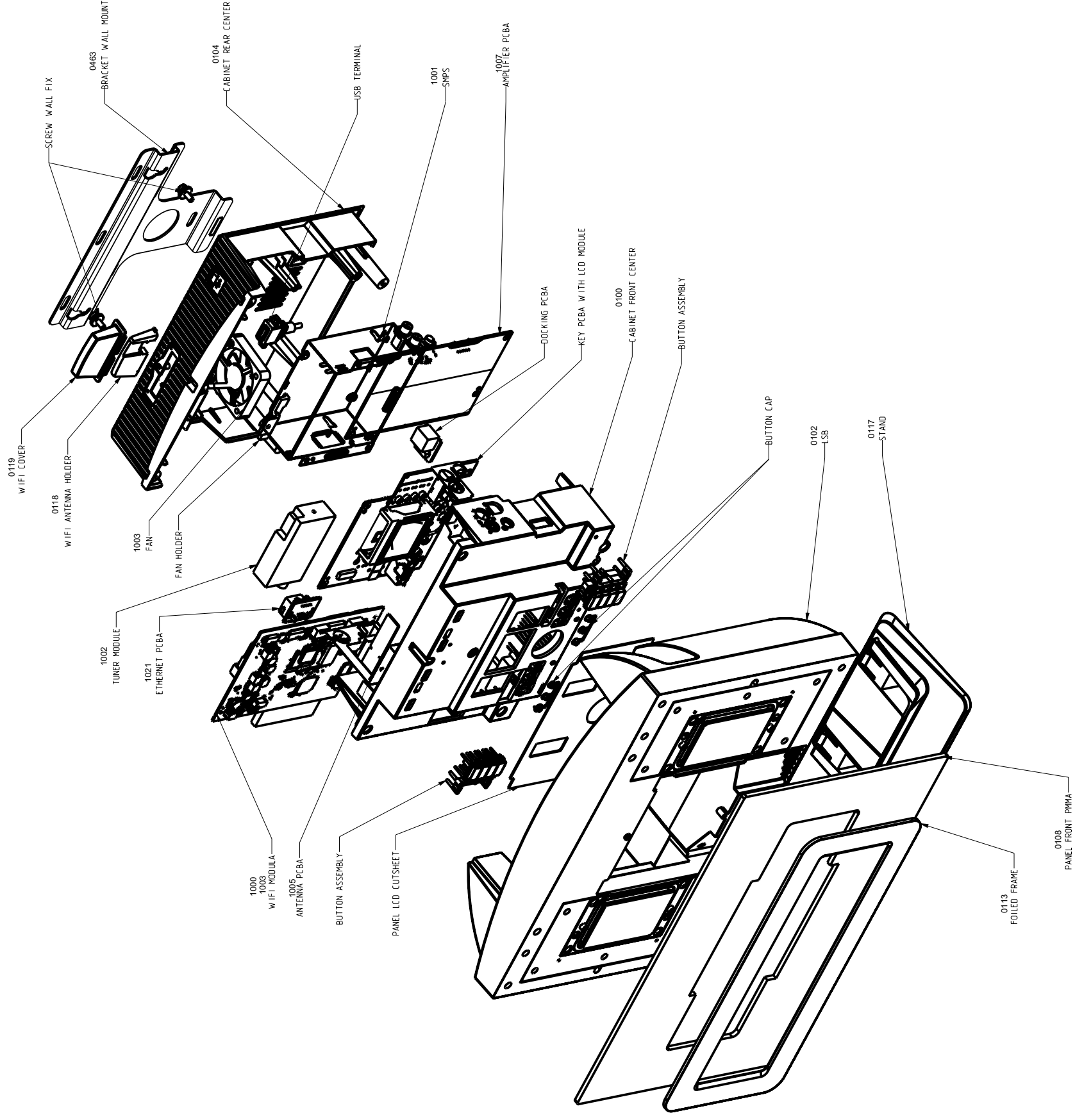








EXPLODED VIEW DIAGRAM (waS7000)



**ACCESSORIES PARTS LIST**

0456	2422 076 00687	ANT FM DIP SD-2380 B
0457	3141 078 70261	DVD ROM INSTALL SW WAC7000/12
0458	2422 076 00569	CBLE LAN 1M5 LAN RJ45 B
0460	3139 228 69141	PRODUCT ASSY RM20007/01 PACKED
0461	3139 238 13751	PROD ASSY RC19336006/01 PKD
0463	3141 071 20362	WALL MOUNT BRACKET WAS700
0465	3141 071 20321	W/M BKT WAC700

**WAS7000 MECHANICAL & ELECTRICAL PARTS LIST**

0100	3141 077 51001	CAB F. CENTER ASSY WAS7000/12(/05/12)
0100	3141 077 51011	CAB F. CENTER ASSY WAS7000/37 (/37)
0102	3141 078 50161	BOX SPK ASSY WAS7000
0104	3141 077 51021	CAB R. CENTER ASSY WAS7000/12(/05/12)
0104	3141 077 51031	CAB R. CENTER ASSY WAS7000/37 (/37)
0117	3141 077 50551	STAND ASSY WA10/22
0118	3141 074 01703	BRACKET ANTENNA WJ10/22
0119	3141 074 01694	COVER ANTENNA WJ10/22
0108	3141 073 20521	PANEL FRONT WAS7000/12 (/12)
0108	3141 073 20531	PANEL FRONT WAS7000/55 (/05/37)
0113	3141 077 50611	PANNEL FRAME PRE-ASSY WA10/22
1000	3141 078 01481	PBAS WessLi-06 (WAS-7K_EU_RDS)(/05/12)
1000	3141 078 02031	PBAS WessLi-06 (WAS-7K_USA) (/37)
1003	2822 065 01728	WMOD WIFIG MPC1 MP-G-BR-05 Y
1001	△ 3141 078 01731	MODULE SMPS WAS7000
1002	2422 542 00038	TUN A+F ENG07815QF EUR B (/05/12)
1002	2422 542 00039	TUN FM ENG06814QF USA B (/37)
1003	2822 031 00029	FAN 12VDC 1.08W 3300RPM B
1004	2422 076 00717	ANT WIFI 2450MHZ 50R Y
1005	3139 118 56981	PCBAS ANTENNA MC-i250/37
1006	8241 150 15021	MODULE LCM WAS-7000
1007	3141 0780 1741	PBAS 5 - AF WAS7000/RDS (/05/12)
1007	3141 078 01751	PBAS 5 - AF WAS7000/NON RDS (/37)
1009	3141 078 02141	PBAS 8 - IPOD INT. WAS7000
1020	3141 078 01771	PBAS 6 - KEYS & RC WAS7000
1021	3141 078 01761	PBAS 9 - Ethernet WAS7000
8000	3139 111 04471	FFC FOIL 10P/180/10P BD
8001	3141 070 21361	FFC FOIL 18P/140/18P AD 1MMP
8004	3141 070 21371	FFC FOIL 15P/140/15P BD 1MMP
8005	3141 070 20701	CBLE CRC 1P/280/1P CRC F-MF
8007	3141 070 21221	CBLE 5P PH / 360 / USB-A (REC)
8008	△ 2422 070 98236	MAINSCORD UK 5A 1M8 VH BK B (/05)
8008	△ 2422 070 98231	MAINSCORD IEC 2A5 1M8 VH BK B (/12)
8008	△ 2422 070 98235	MAINSCORD UL 6A 1M8 VH BK B (/37)
8011	3139 111 02321	FFC FOIL 11P/220/11P BD 1MMP

**WAC7000 MECHANICAL & ELECTRICAL PARTS LIST**

0102	3141 074 01171	DAMPER HDD DRIVER WJ10
0103	3141 074 03261	RUBBER HDD WAC5000
0104	3141 071 20541	BRACKET DVD/HDD M WAC7000
0108	3141 074 03351	BUTTON EJECT WAC7000
0121	3141 071 20581	SHIELDING BOX HDD WAC7000
0201	3141 077 51111	CAB F. CENTER ASSY WAC7000/55 (/05)
0201	3141 077 51041	CAB F. PRE-ASSY WAC7000/12 (/12)
0201	3141 077 51051	CAB F. PRE-ASSY WAC7000/37 (/37)
0208	3141 073 20541	COVER FNT GEN BTM WAC7000
0210	3141 074 01694	COVER ANTENNA WJ10/22
0213	3141 074 01372	COVER MAINS CORD WJ10/22
0214	3141 074 01703	BRACKET ANTENNA WJ10/22
0227	3141 074 01215	COVER LSB WJ10/22

**WAC7000 MECHNICAL & ELECTRICAL PARTS LIST**

0228	3141 077 50501	LSB BOX PRE-ASSY WJ10/22
0232	3141 074 01583	COVER FNT CEN UPPER WJ10/22
0284	3141 077 50461	STAND CEN PRE-ASSY WJ10/22
0285	3141 074 01841	FOOT RUBBER WAC5
0286	3141 074 02331	DAMPER BRACKET MOUNT WAC5
0287	3141 074 03311	CABINET REAR C WAC7000 (/05/12)
0287	3141 074 03441	CABINET REAR C WAC7000/37 (/37)
0289	3141 077 50831	PAL CEN BTM PRE-ASSY WAC700/22
0292	3141 071 20571	SHIELD SHEET WAC7000
0298	3141 074 03471	HOLD RING ANTENNA WAC7000/12
0299	3141 074 03321	BRACKET CORE WAC7000/22
0206	3141 077 50492	PANEL CEN PRE-ASSY WJ10/22
0209	3141 073 20511	PANEL DISPLAY WAC7000
0295	3141 074 01224	PANEL LSB WJ10/22
0300	3141 077 51061	STANDBY PRE-ASSY WAC7000/12
1000	3141 078 01691	PBAS HasLi-06 (WAC-7K_EU_RDS)(/05/12)
1000	3141 078 01911	PBAS HasLi-06 (WAC-7K_USA) (/37)
1002	3141 070 50321	PRG.ASSY HDD WAC-5000/12 V1856
1003	2822 065 01728	WMOD WIFIG MPC1 MP-G-BR-05 Y
1005	3141 077 10191	PBAS - ATA-MS/SL/PW Int. (PH)
1001	△ 3141 078 01621	MOD SMPS WAC-7000 (120 / 230V)
1002	3141 078 00281	MODULE AMP - HAS 4ch (40W)
1003	2422 542 00038	TUN A+F ENG07815QF EUR B (/05/12)
1003	2422 542 00039	TUN FM ENG06814QF USA B (/37)
1004	2822 031 00029	FAN 12VDC 1.08W 3300RPM B
1005	2822 031 00054	FAN 12VDC 0.5W 3700RPM B
1006	2422 076 00717	ANT WIFI 2450MHZ 50R Y
1007	3139 118 56981	PCBAS ANTENNA MC-i250/37
1008	8241 150 15011	MODULE LCM WAC-7000
1009	3141 078 01811	MODULE DVD-Slotloader 2006
1011	3141 078 01711	PBAS 5 - AF (W/O RDS) WAC7000 (/05/37)
1011	3141 078 01631	PBAS 5 - AF (RDS) WAC7000 (/12)
1012	3141 078 01641	PBAS 9 - AMP SOCKET WAC7000
1014	3141 078 01651	PBAS 6 - KEYS & RC WAC7000
1015	3141 078 01661	PBAS 7 - STBY KEY WAC7000
1016	3141 078 01671	PBAS 8 - EJECT KEY WAC7000
1017	3141 077 10211	PBAS-ATA-SL/PW I/F (PH)
1019	3141 078 01821	PBAS 4 - KEY-LCD-CON. WAC7000
8001	3141 070 20541	FFC FOIL 05P/100/05P BD 1.25mm
8002	3141 070 21121	FFC FOIL 15P/340/15P AD 1MMP
8003	3139 131 02471	FFC FOIL 09P/220/09P BD 1MMP
8004	3141 070 21251	FFC FOIL 10P/520/10P BD
8005	3139 110 35141	FFC FOIL 13P/180/13P AD
8006	3139 241 01171	FFC FOIL 15P/280/15P BD 1MMP
8007	3139 110 35871	FFC FOIL 05P/340/05P BD
8008	3139 241 02541	FFC FOIL 18P/180/18P AD 1MMP
8011	3141 070 21291	FFC FOIL 40P/110/40P BD 0.5MMP
8013	3141 070 21291	FFC FOIL 40P/110/40P BD 0.5MMP
8017	3141 070 21181	FFC FOIL 19P/460/19P AD 1MMP
8018	3141 070 20701	CBLE CRC 1P/280/1P CRC F-MF
8021	3139 110 36081	FFC FOIL 11P/180/11P BD 1MMP
8025	△ 2422 070 98236	MAINSCORD UK 5A 1M8 VH BK B (/05)
8025	△ 2422 070 98231	MAINSCORD IEC 2A5 1M8 VH BK B (/12)
8025	△ 2422 070 98235	MAINSCORD UL 6A 1M8 VH BK B (/37)
8026	3139 110 35681	FFC FOIL 12P/340/12P BD

**Note: Only these parts mentioned in the list are normal service parts.**

## REVISION LIST

Version 1.0 (3141 785 31350)

- Draft release