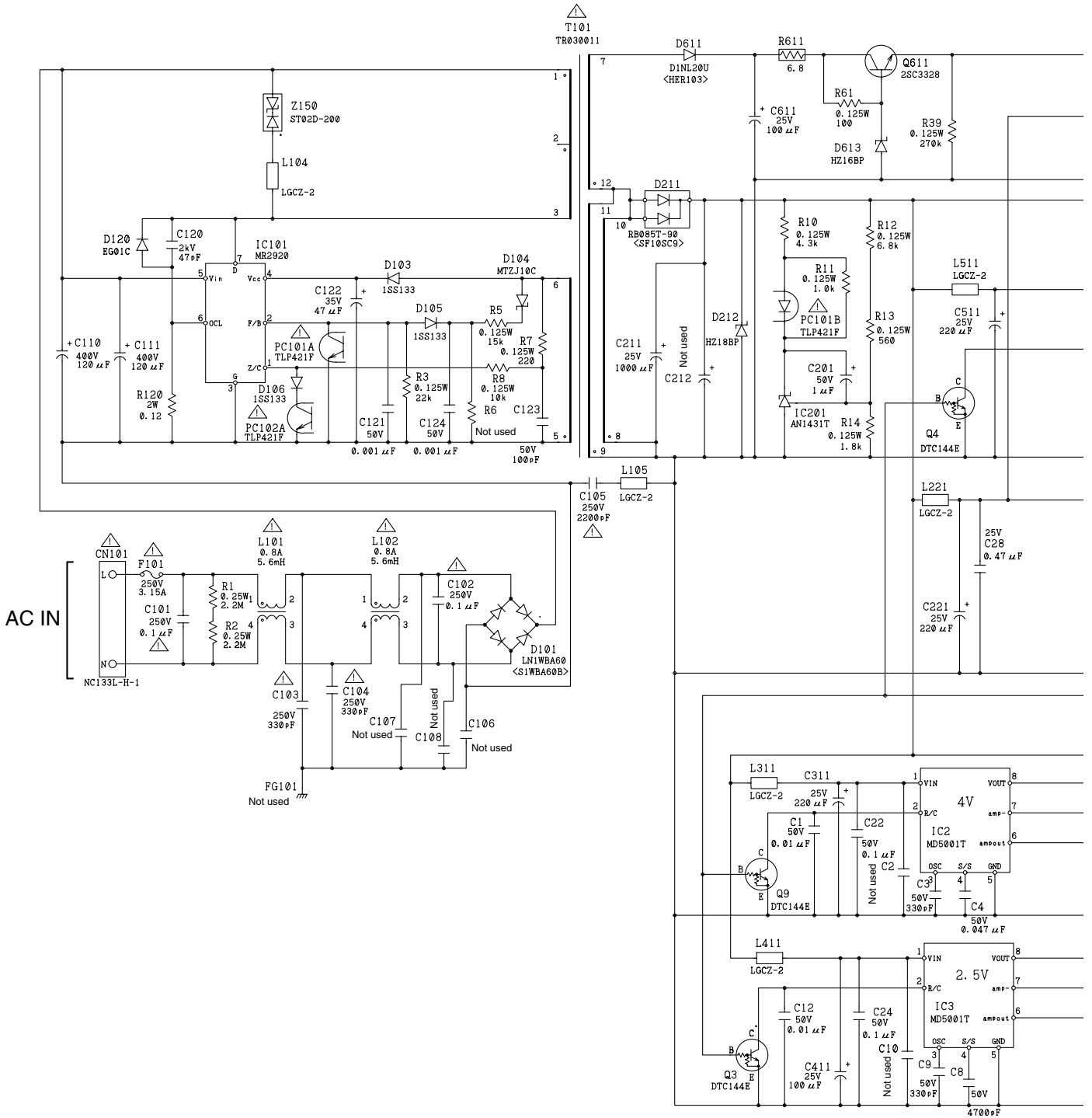


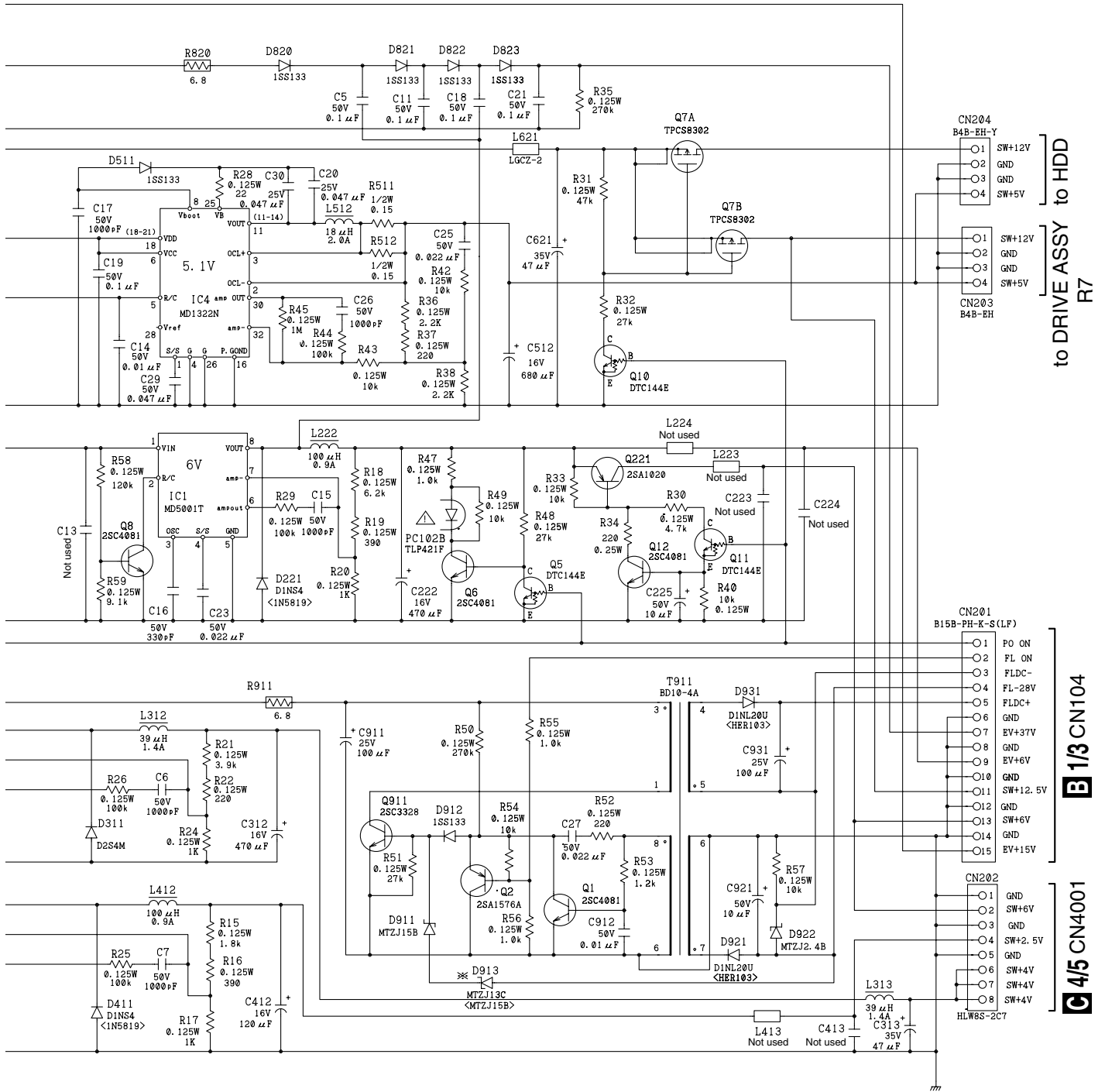
3. SCHEMATIC DIAGRAM

3.1 POWER SUPPLY UNIT

POWER SUPPLY UNIT (VWR1381)



Note : No individual parts replacement for repair is accepted by Model Supplier due to the safety reasons.
 Replace whole ASSY.



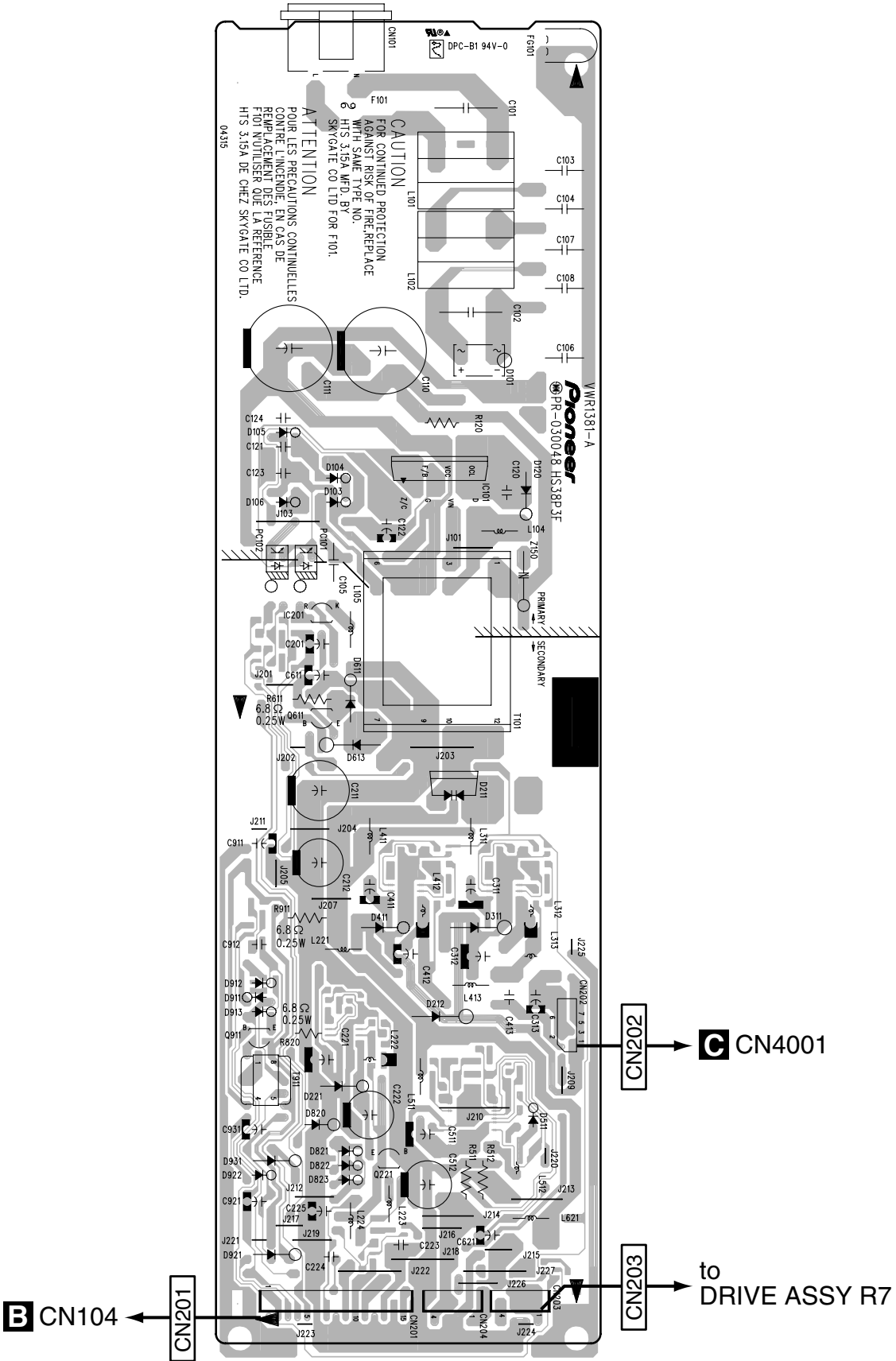
4. PCB CONNECTION DIAGRAM

4.1 POWER SUPPLY UNIT

SIDE A

PF POWER SUPPLY UNIT

SIDE A



PF

PF